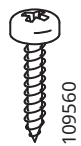
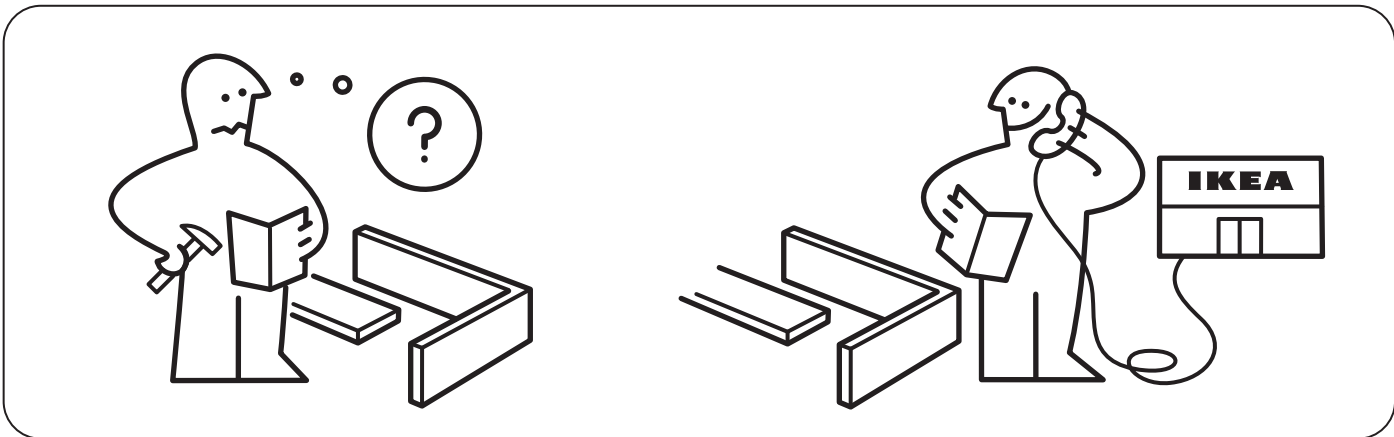
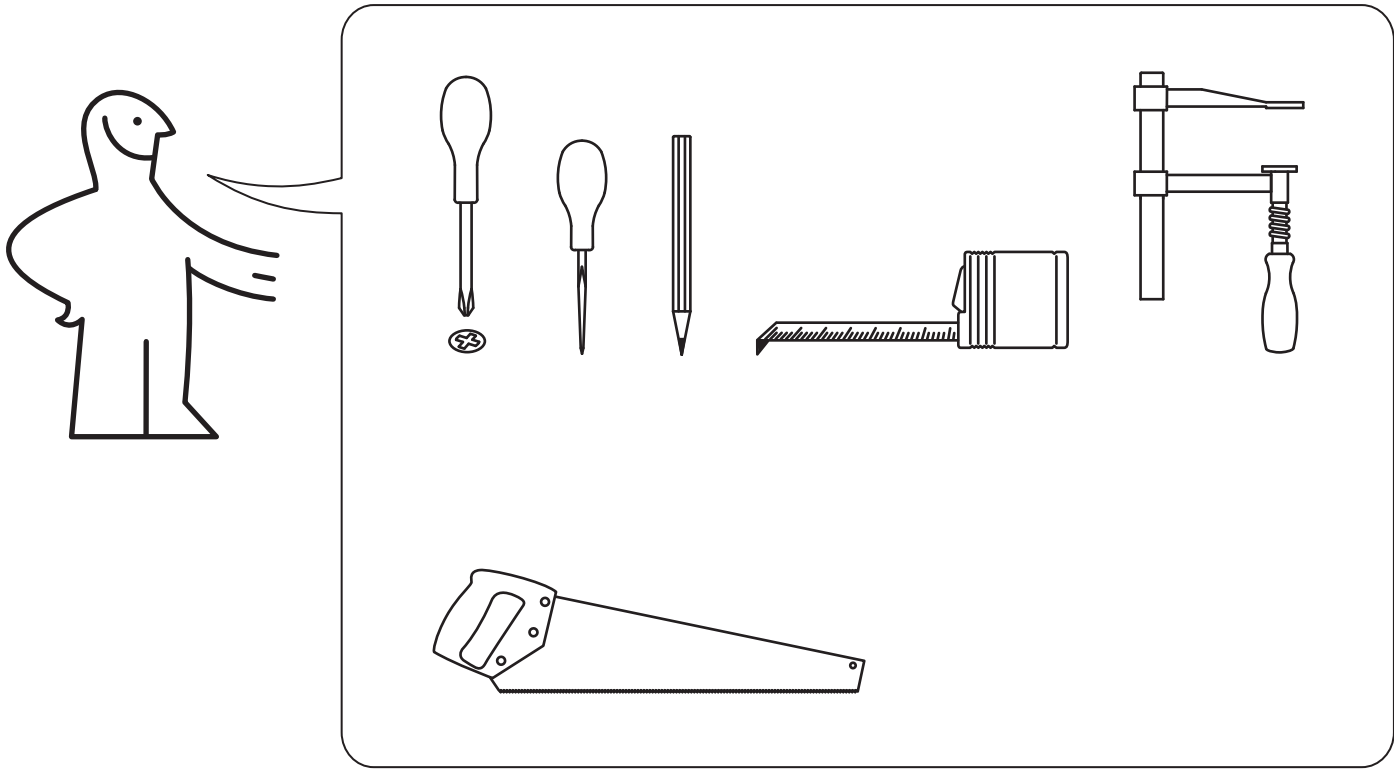


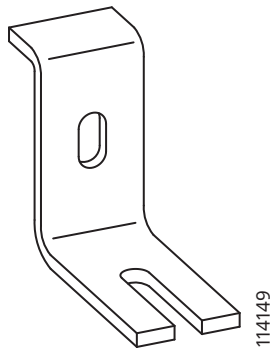
Design and Quality  
IKEA of Sweden



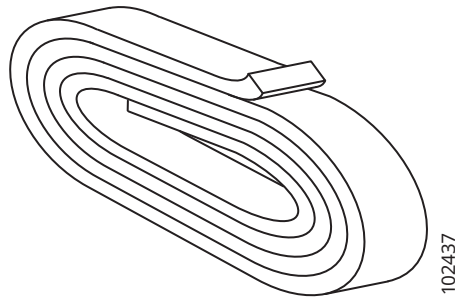
16x



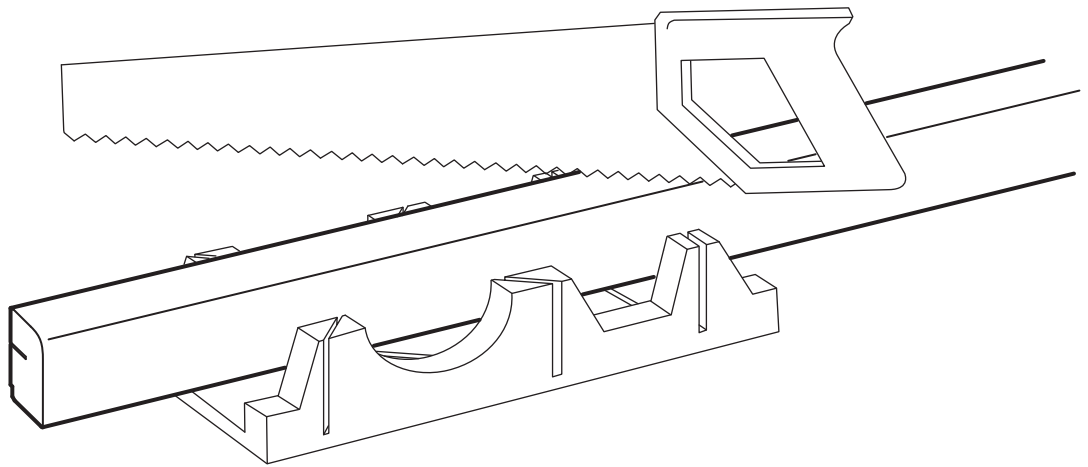
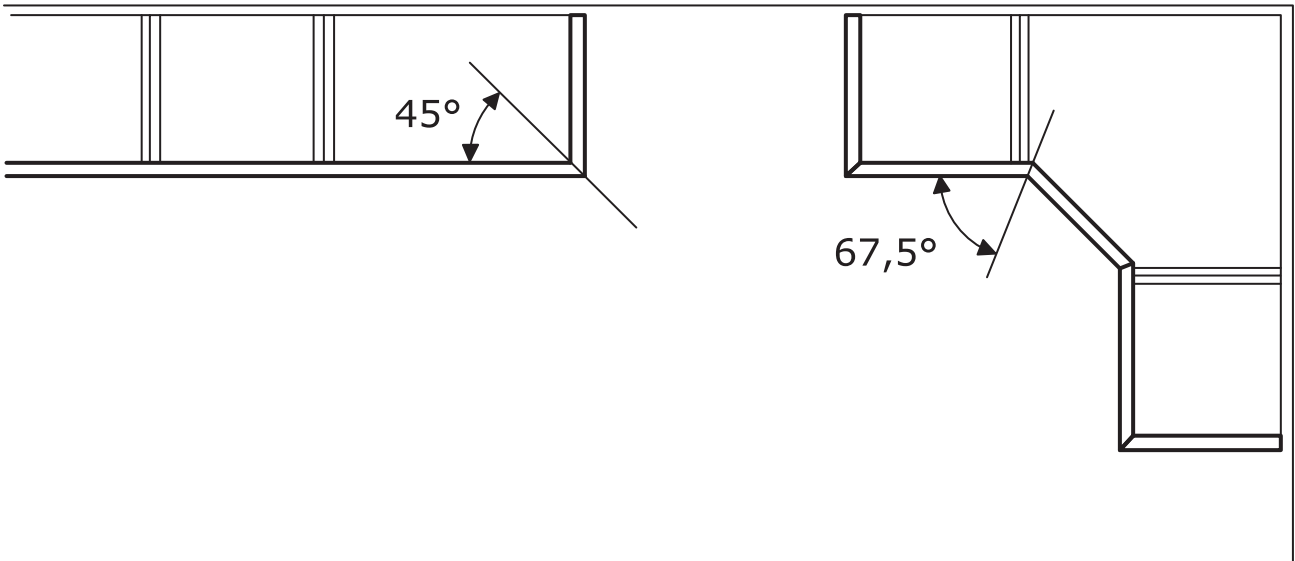
8x

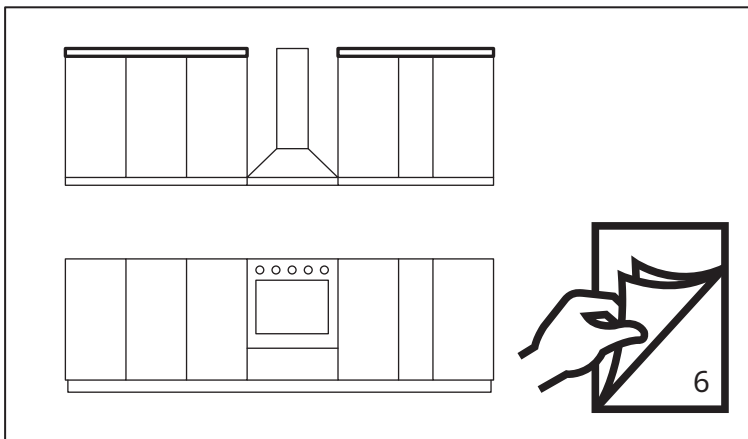
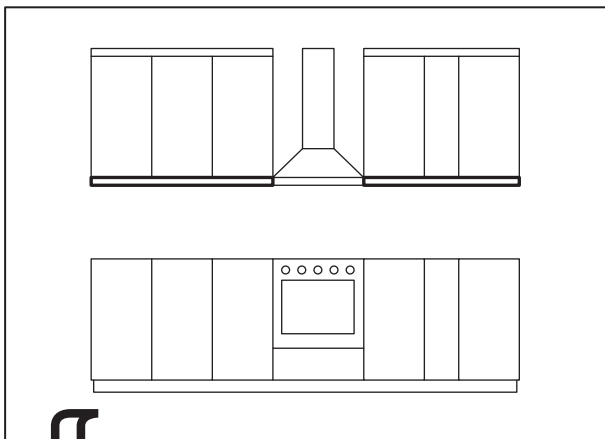


8x

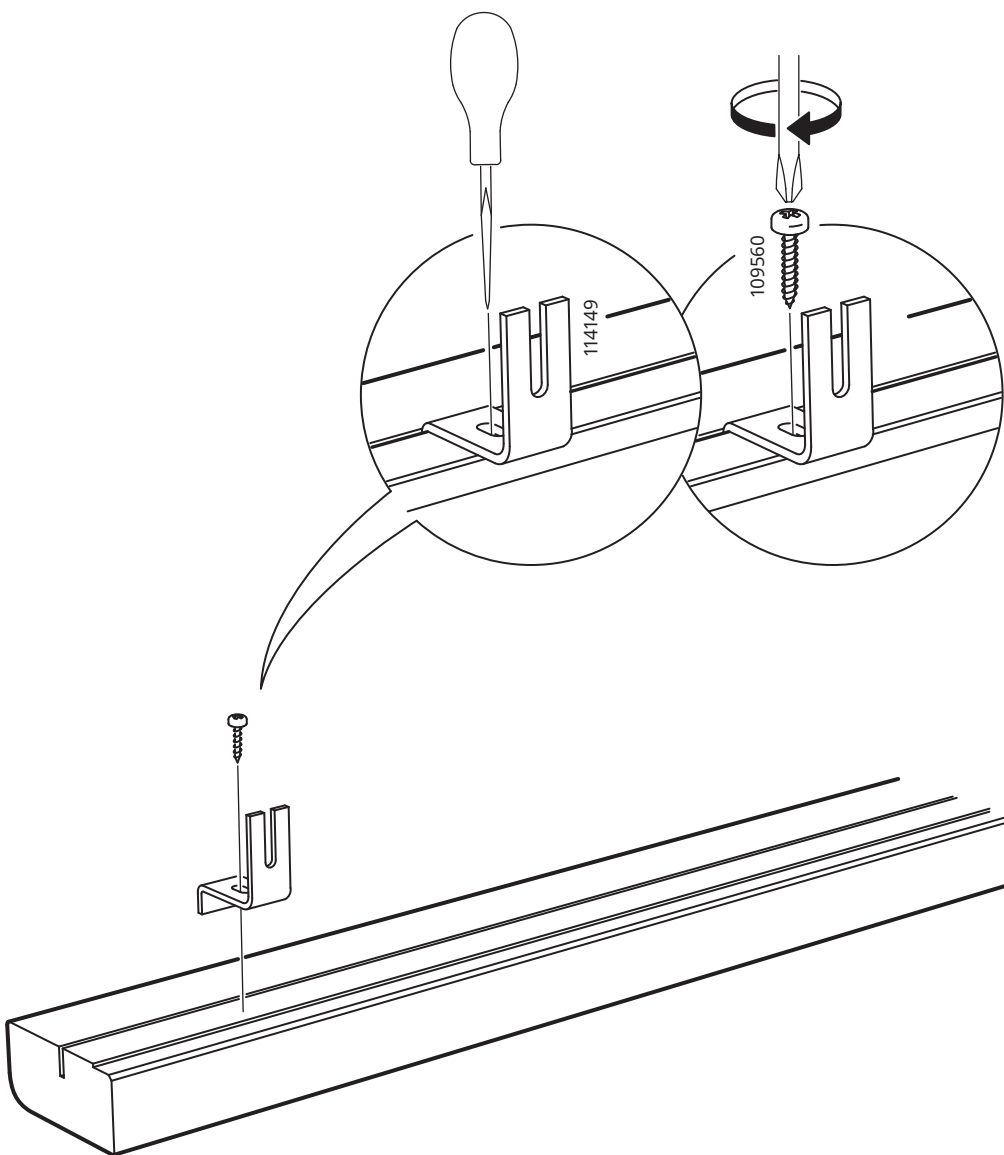


2x

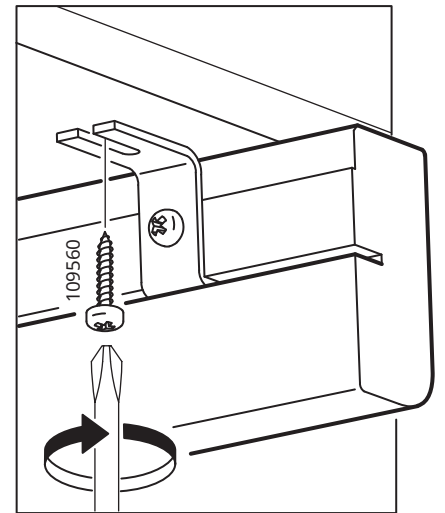
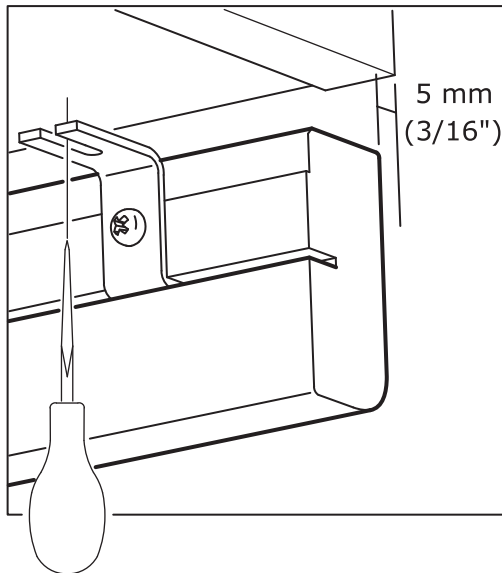
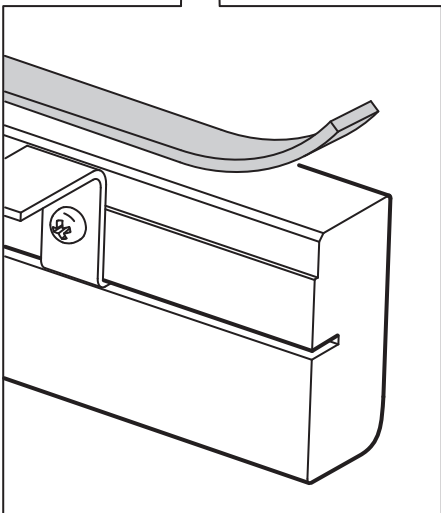
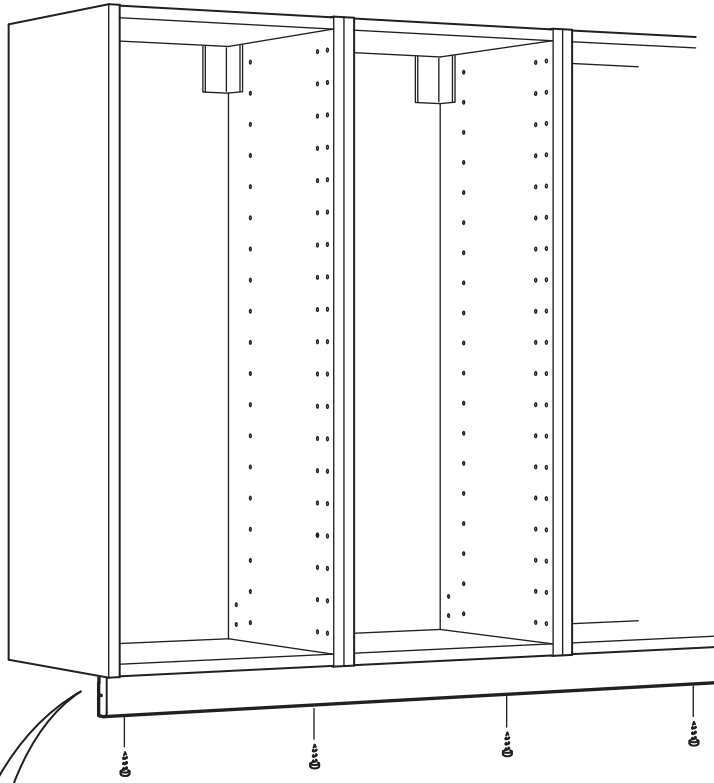




1



# 2



3

