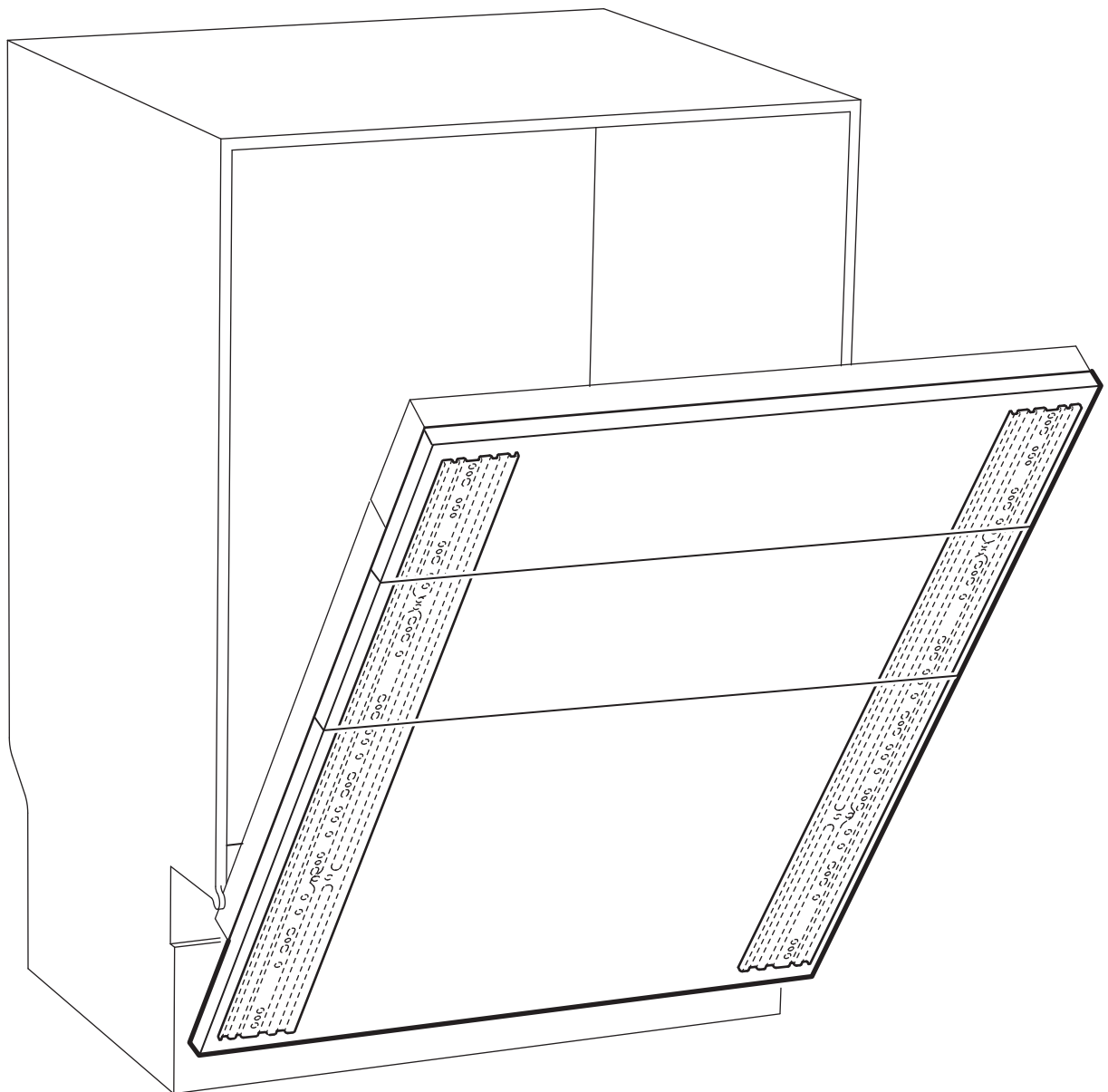
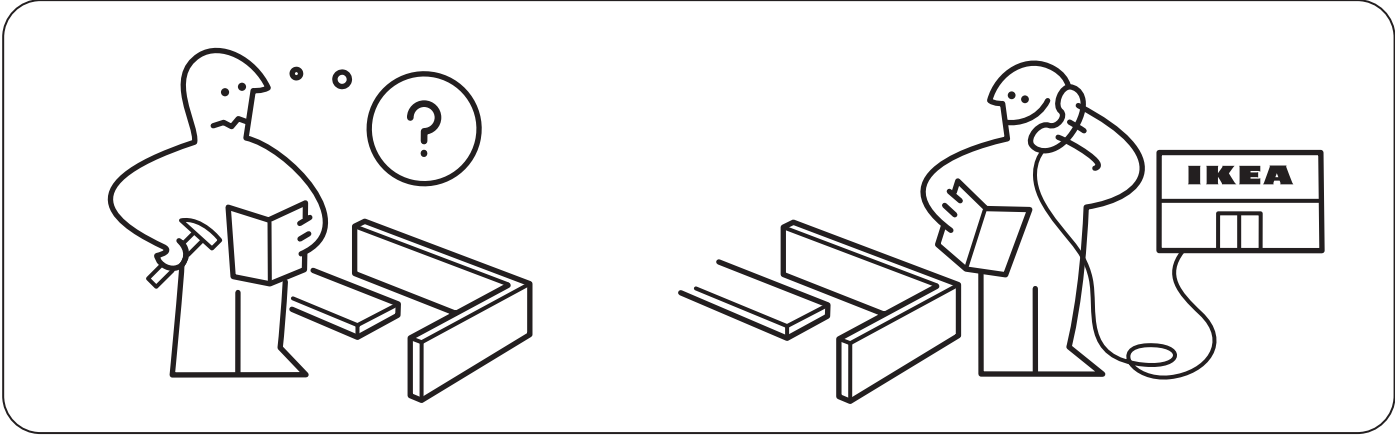
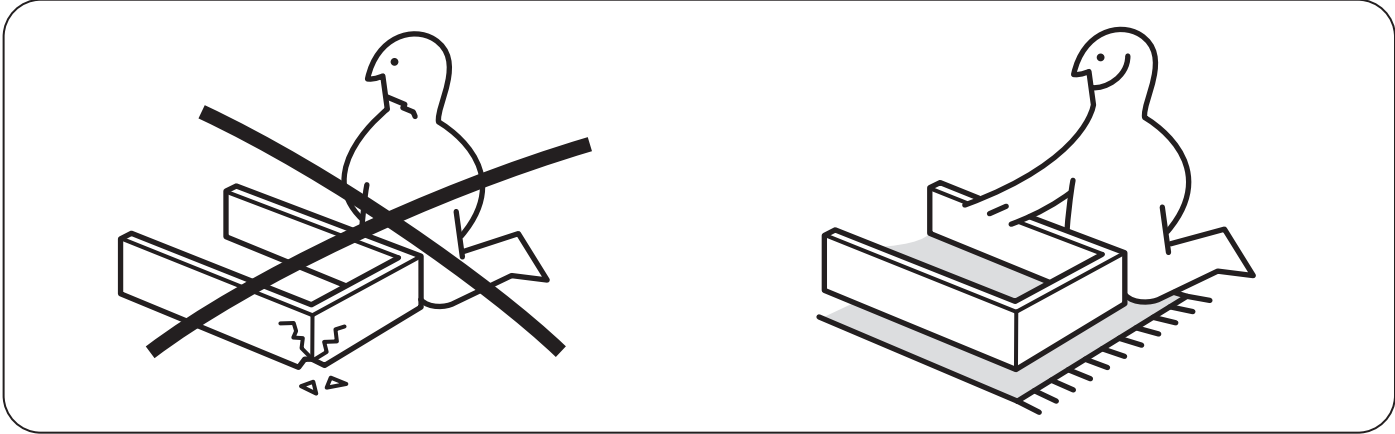
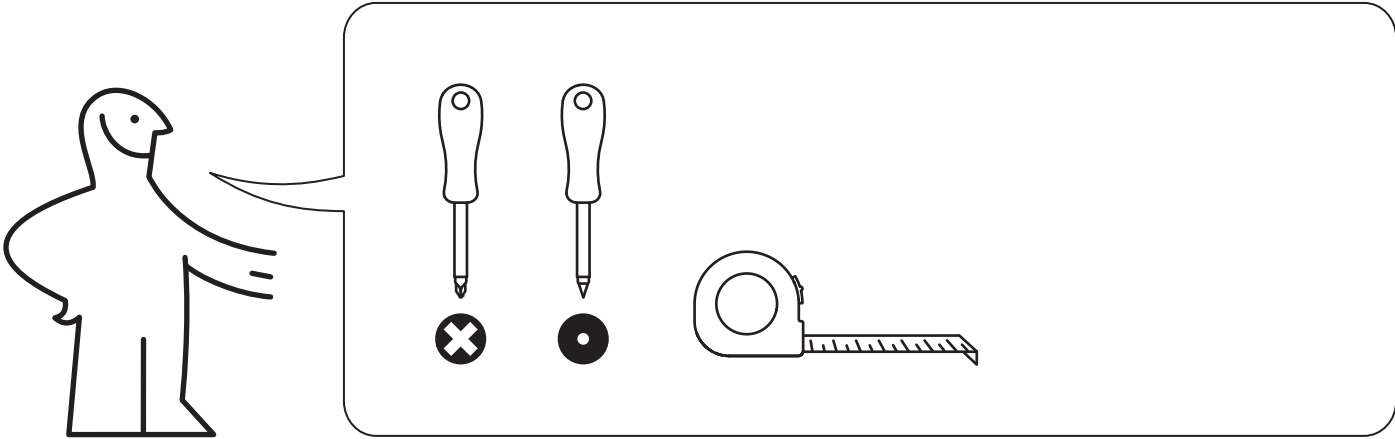
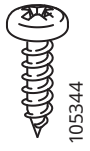


# VÅGLIG



Design and Quality  
IKEA of Sweden





105344

10x



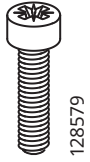
100344

14x



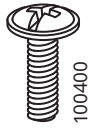
10046570

8x



128579

16x



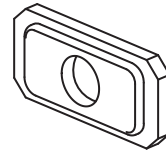
100400

2x



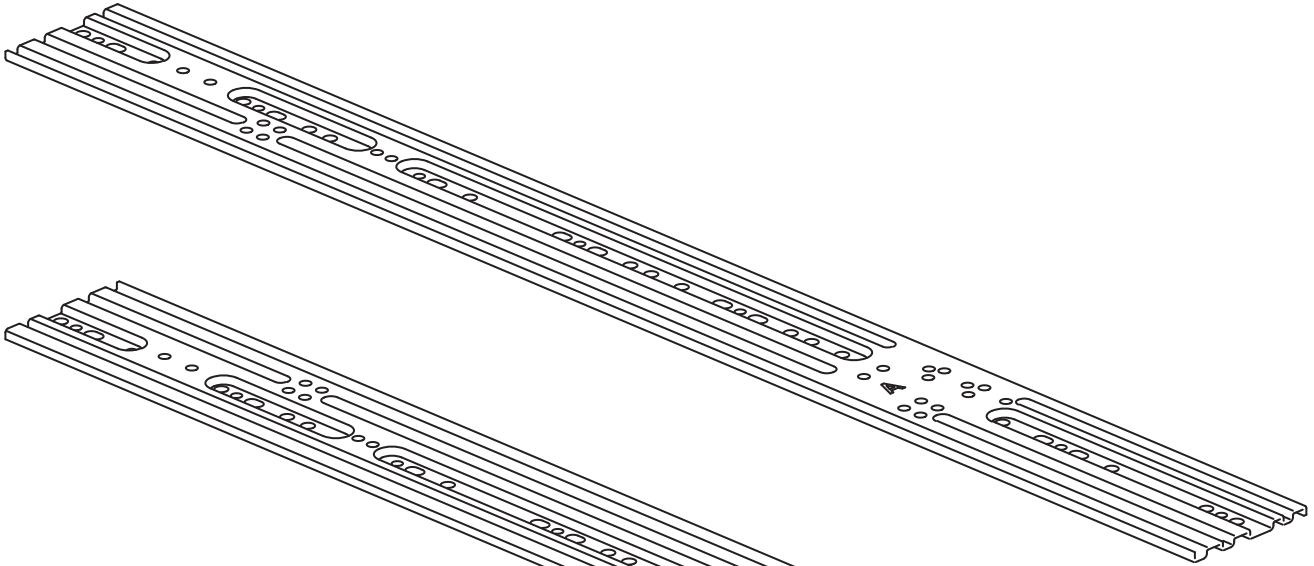
100395

4x



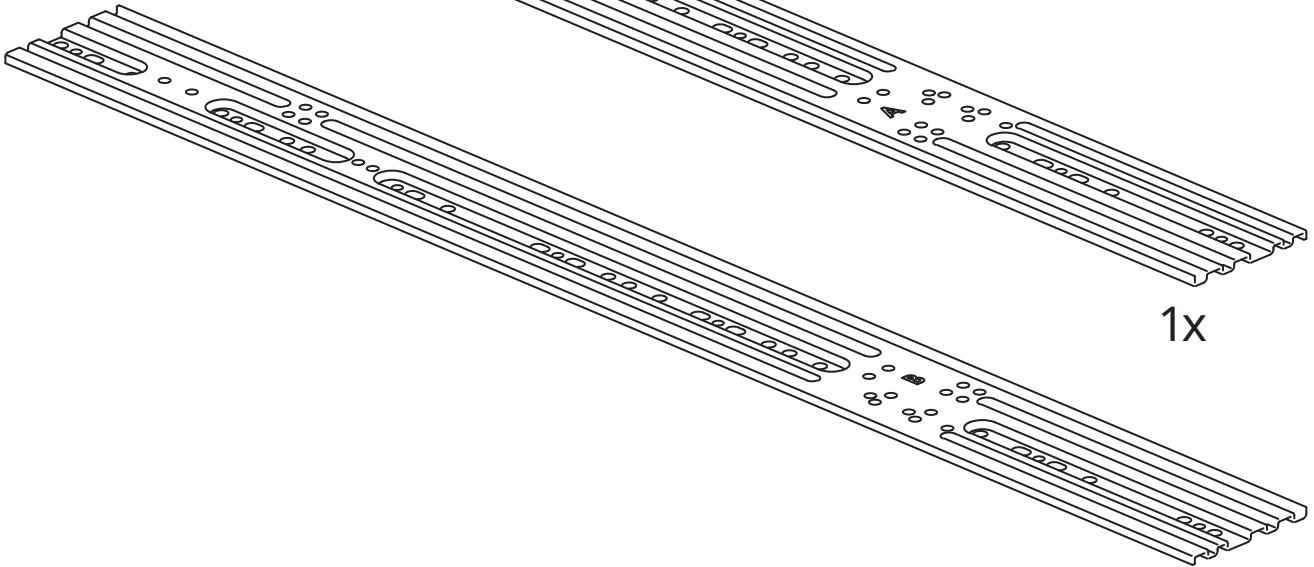
117687

2x



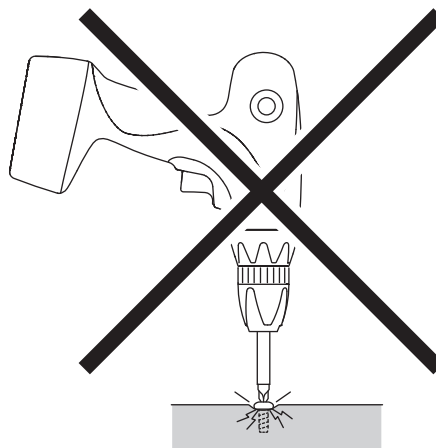
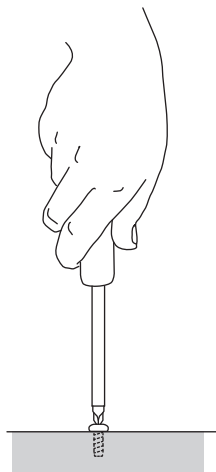
10053041

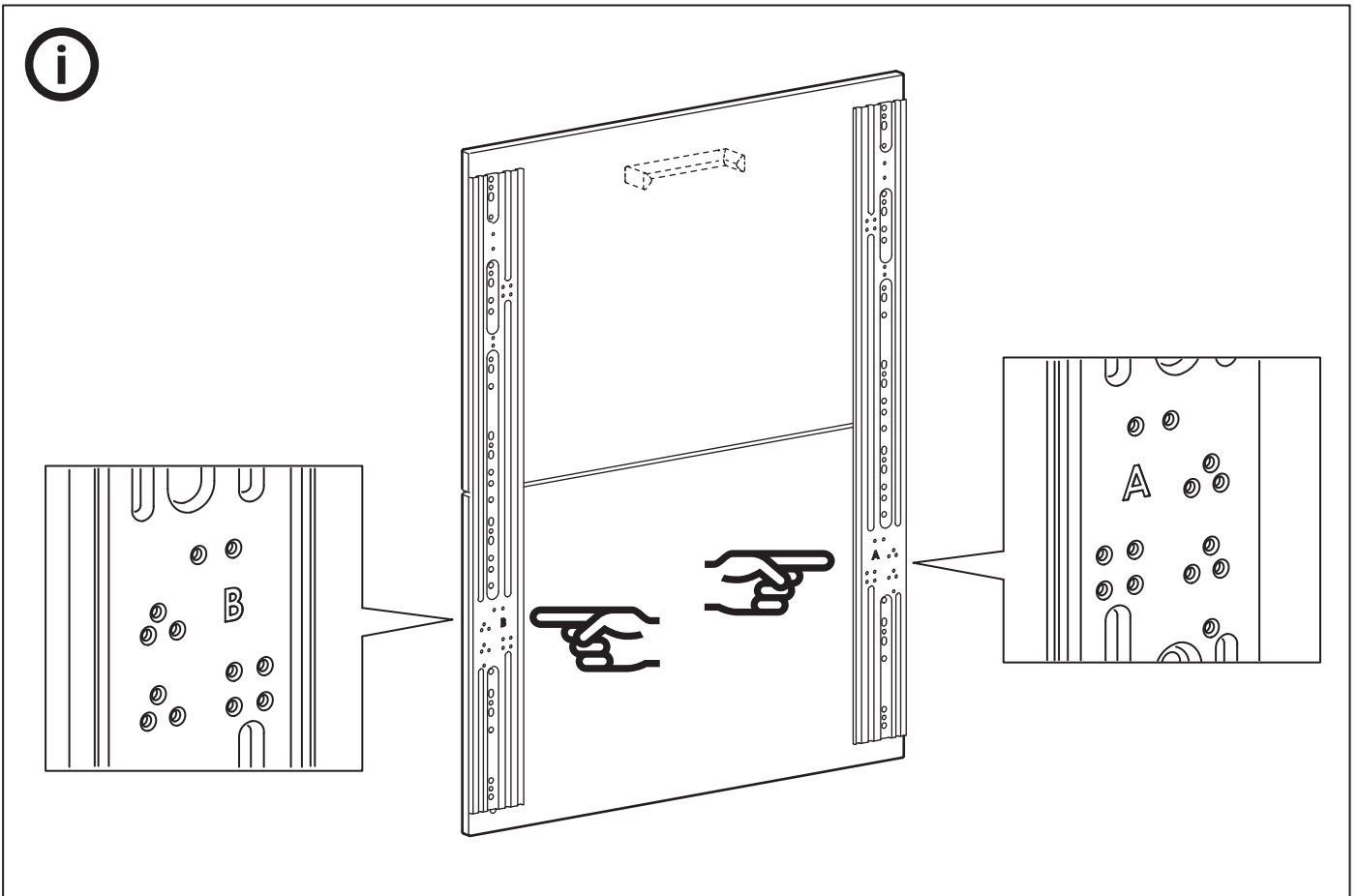
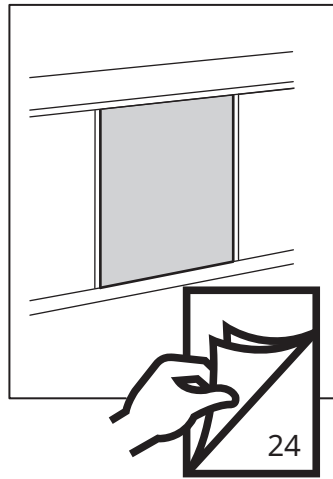
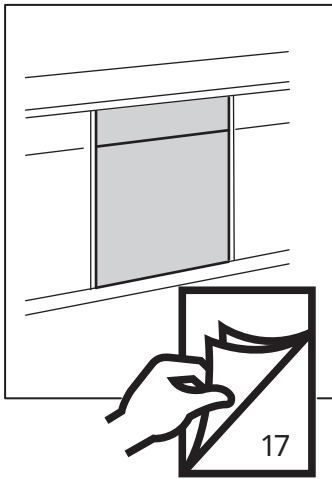
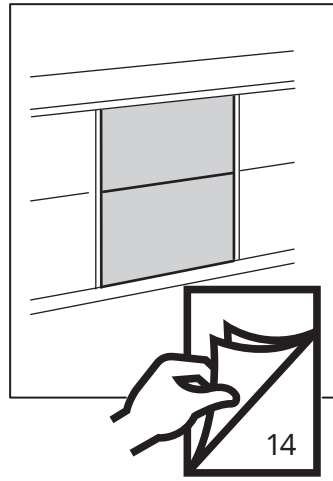
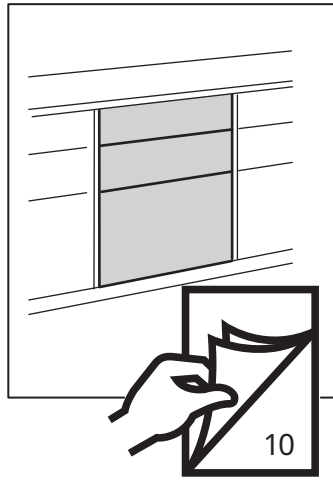
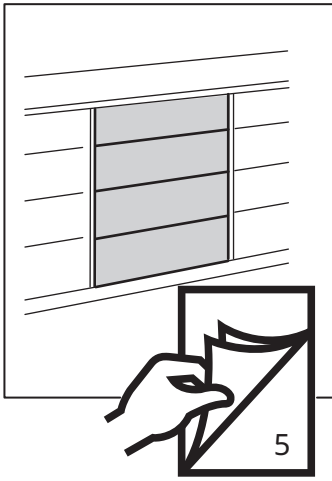
1x



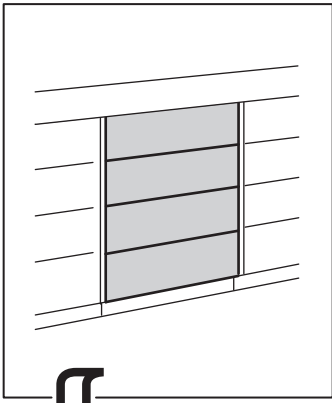
10053043

1x

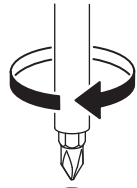






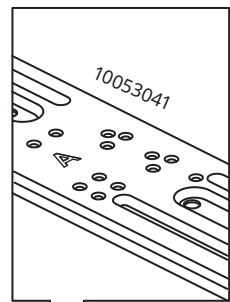


1

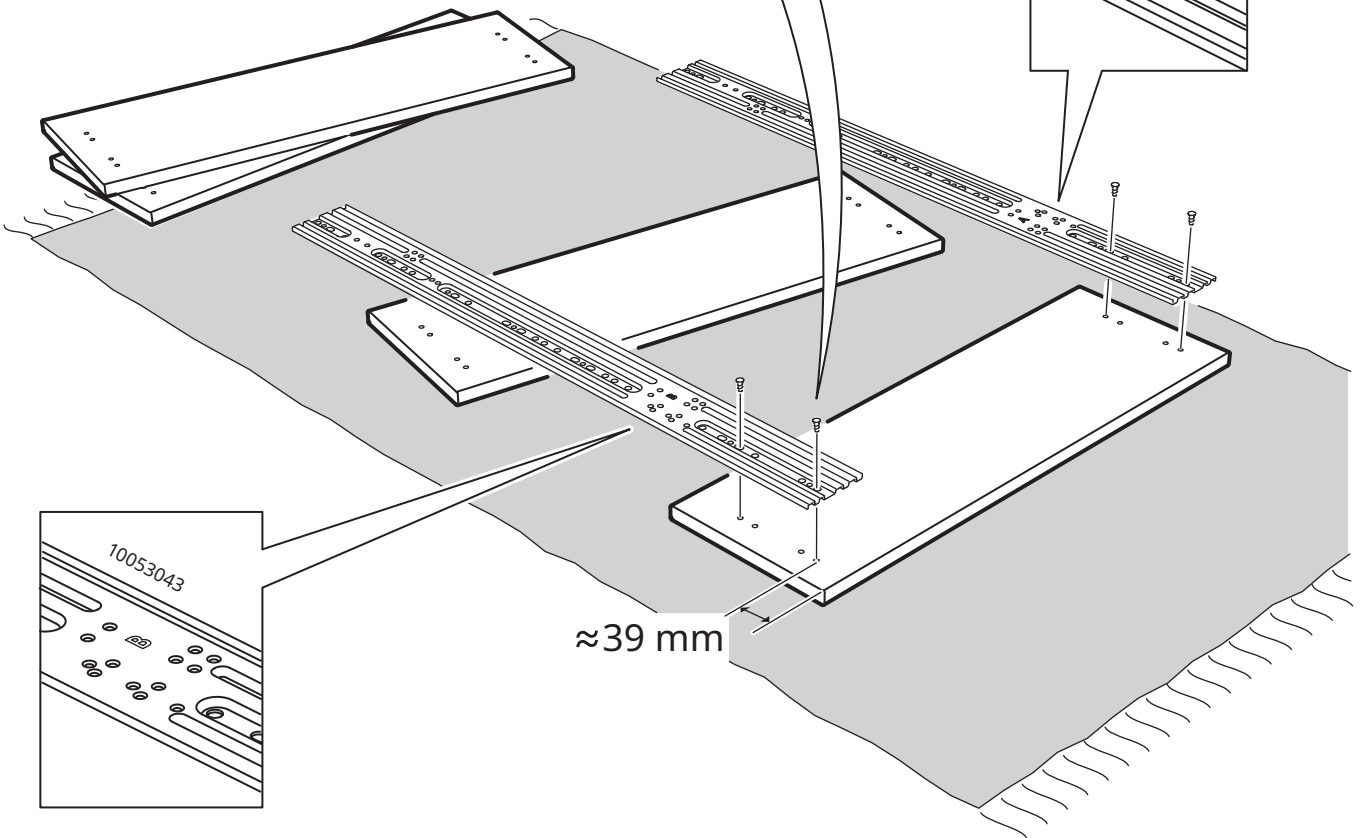


100344

4x



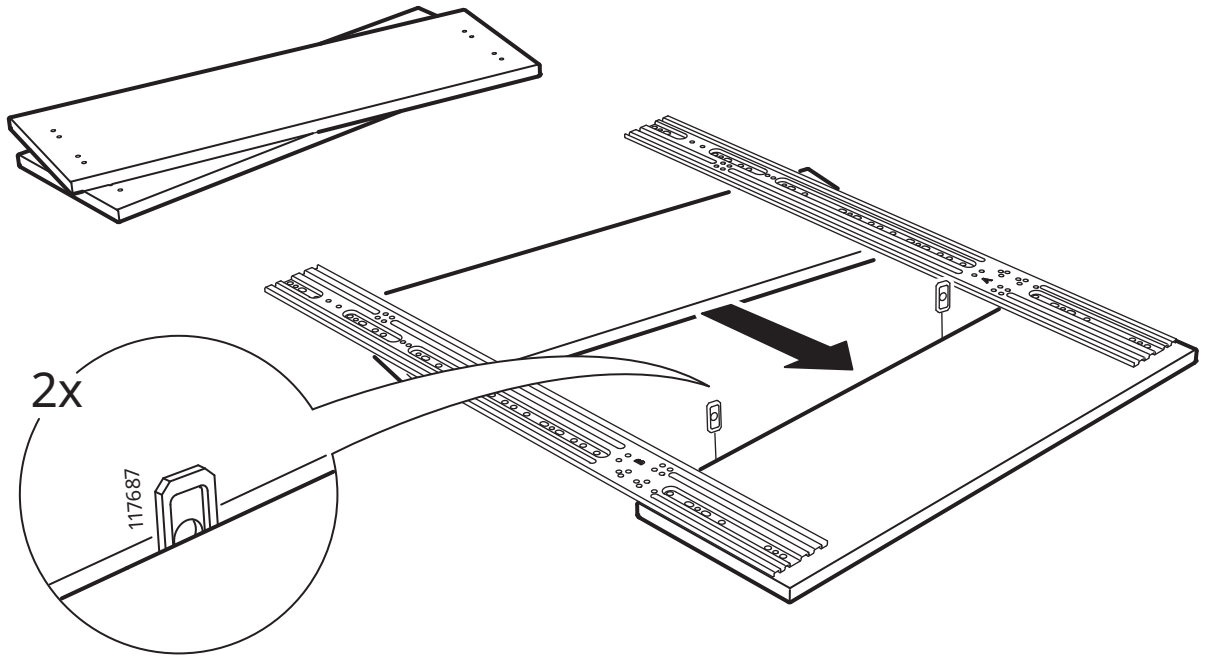
10053041



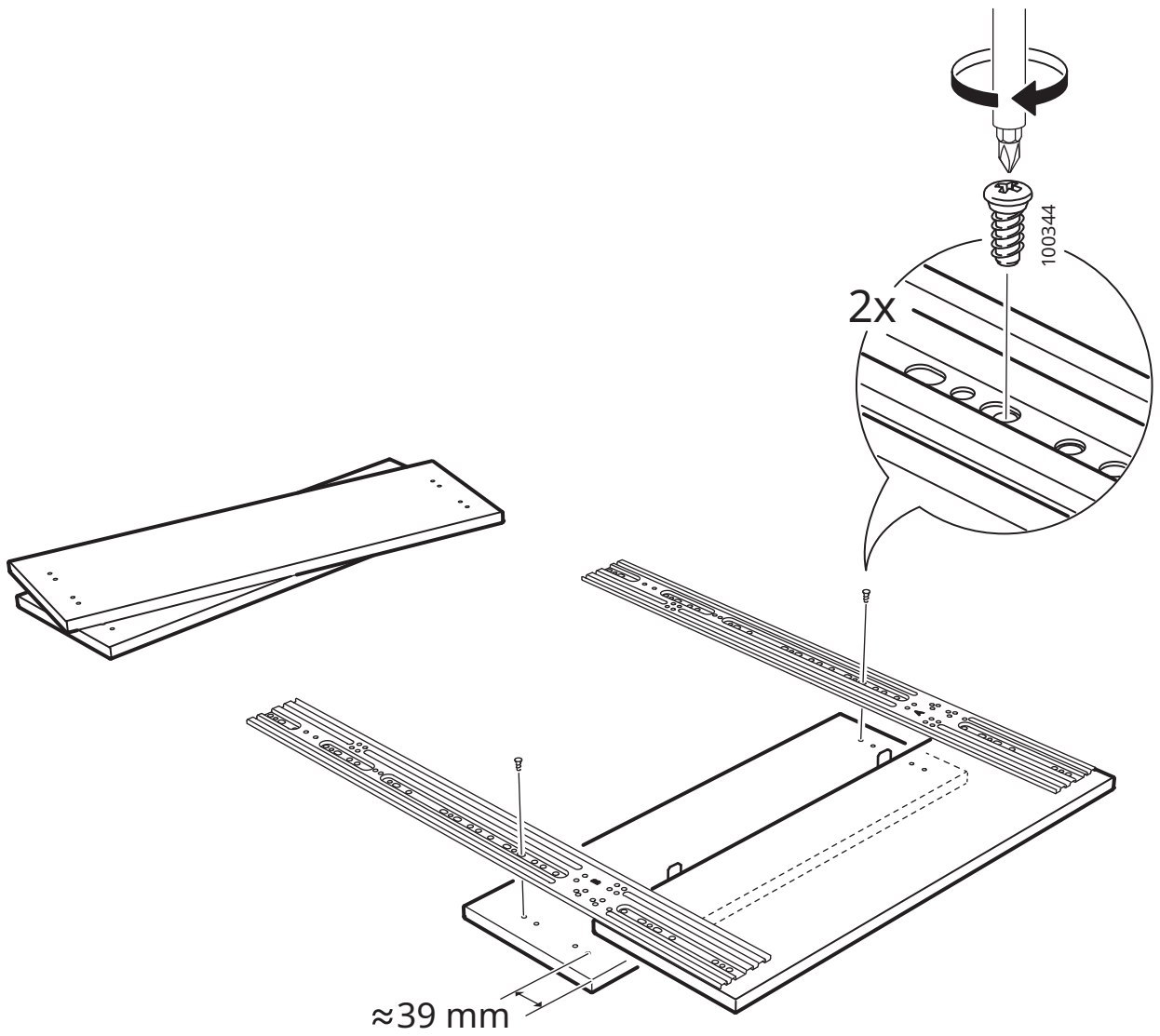
10053043

≈ 39 mm

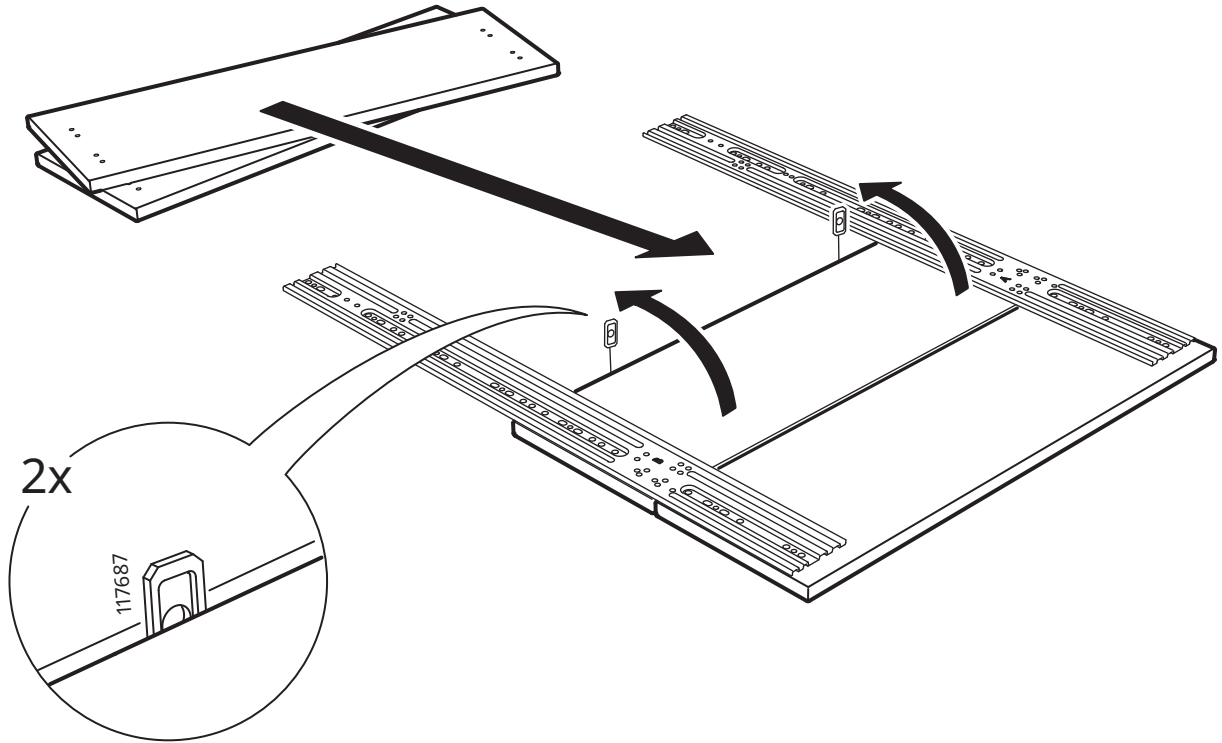
2



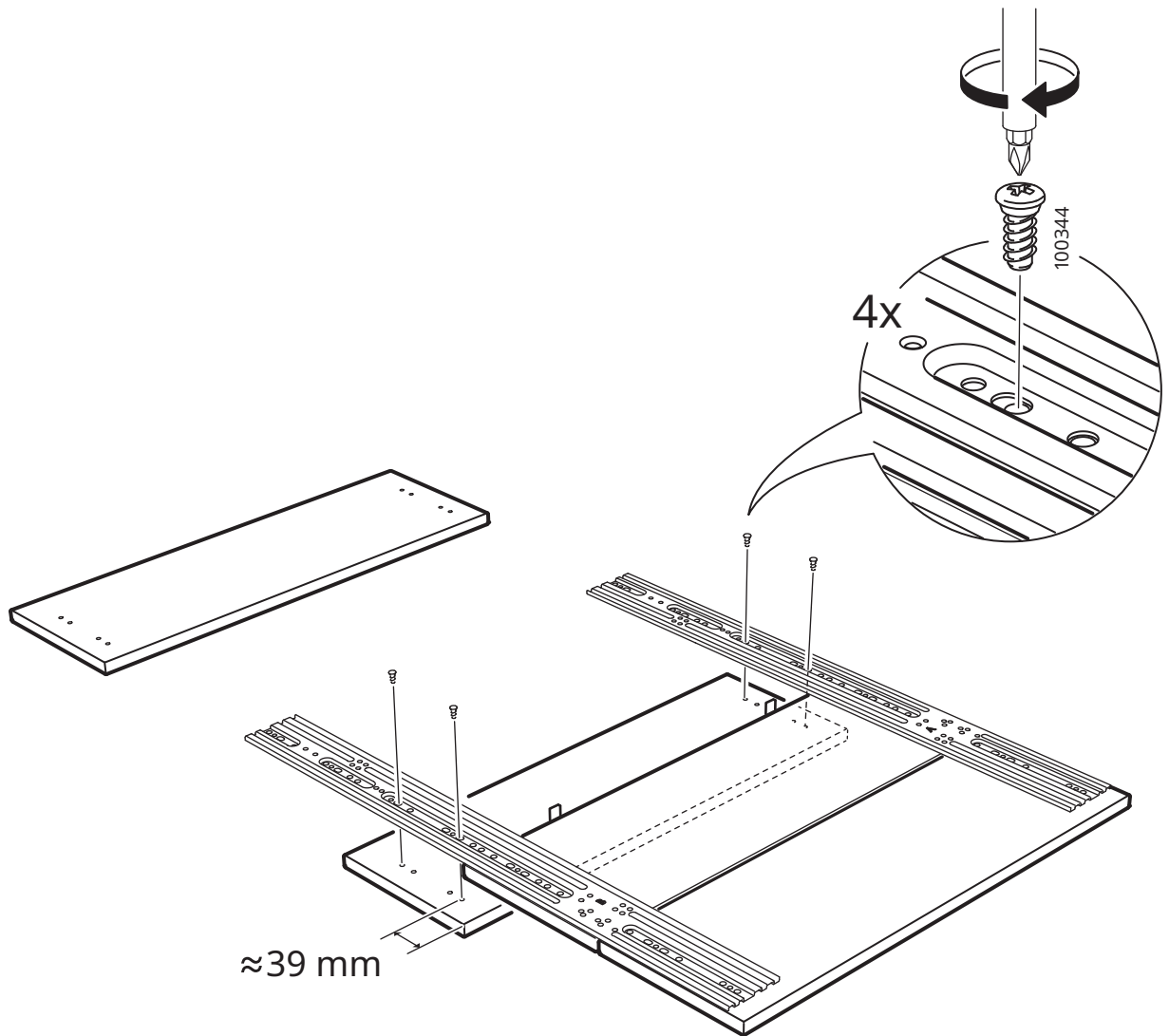
3



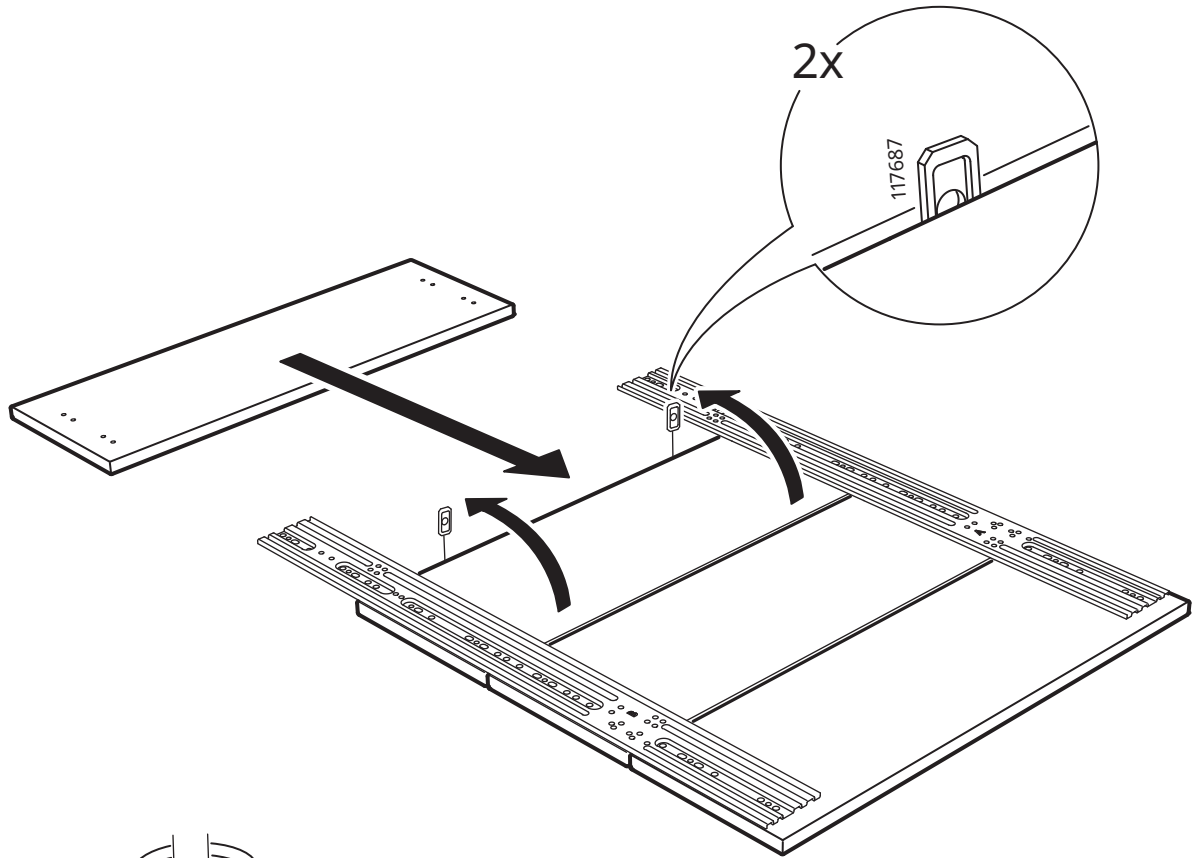
4



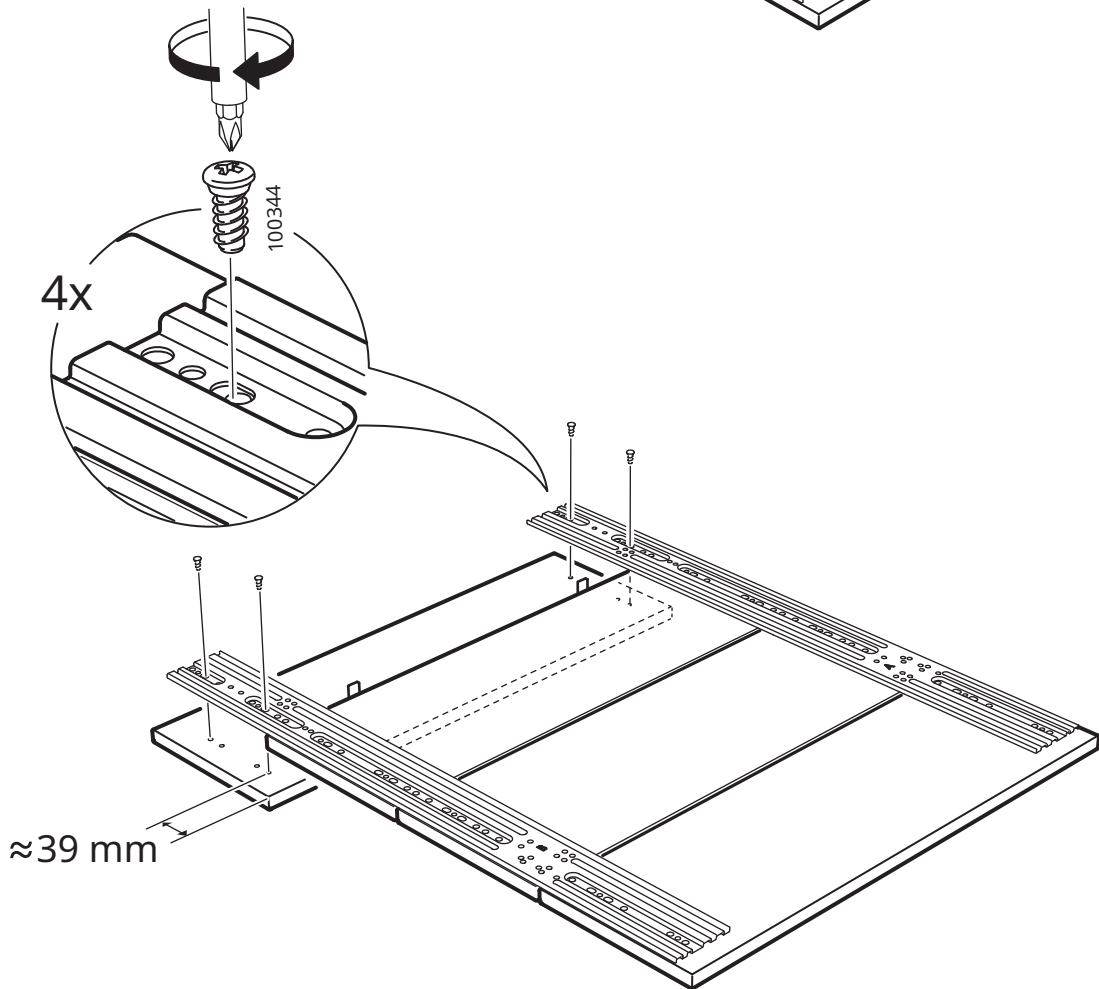
5



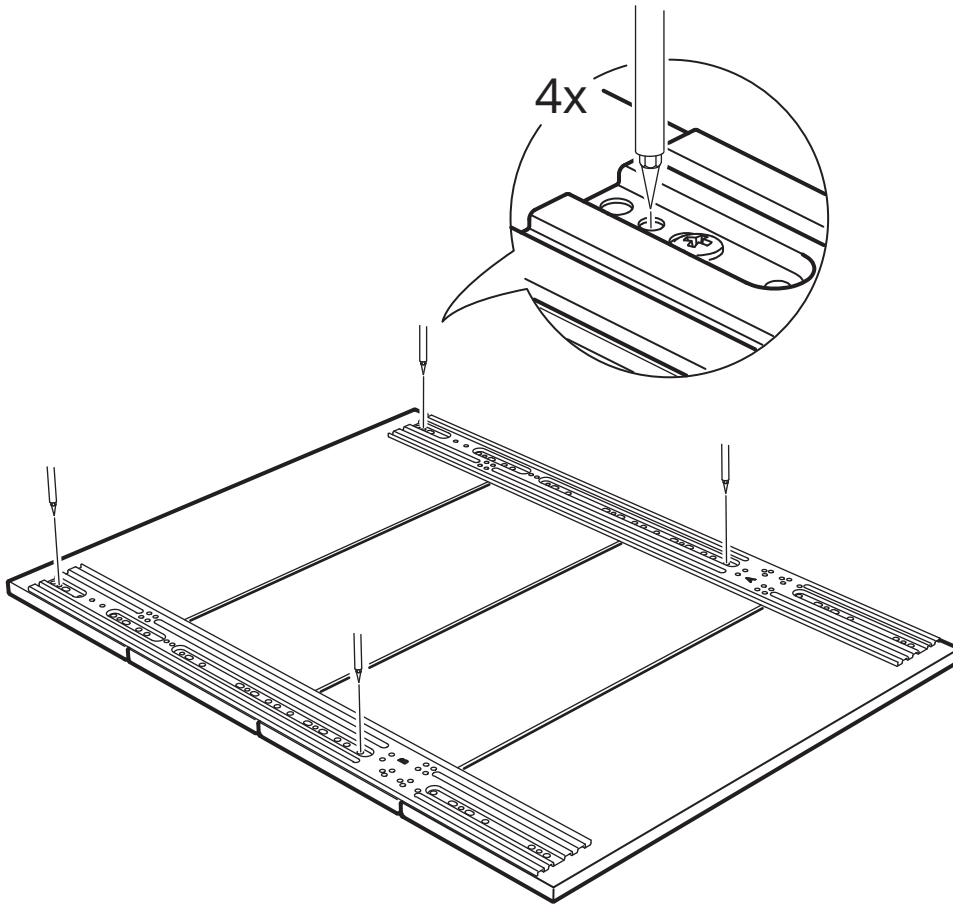
6



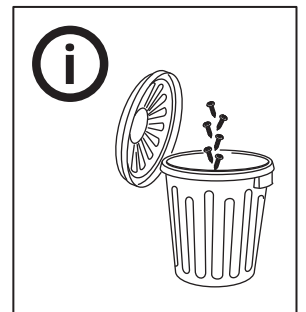
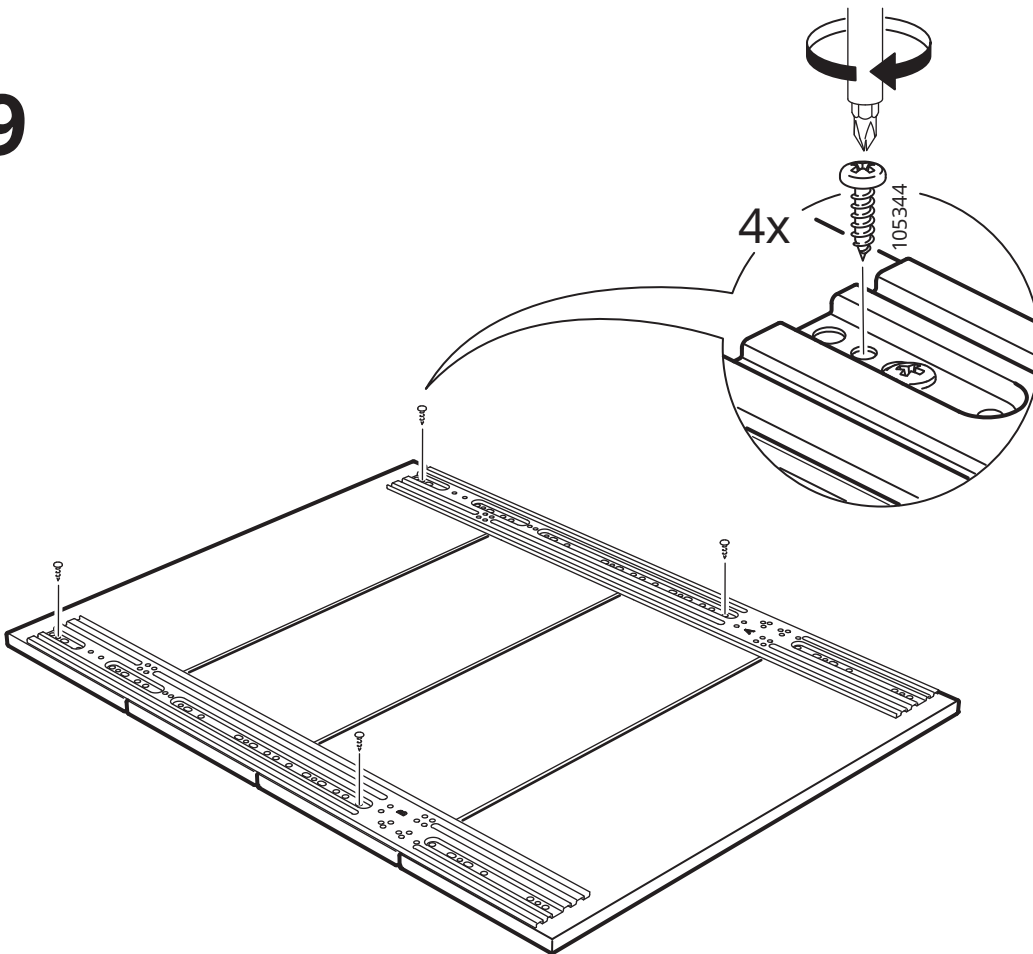
7

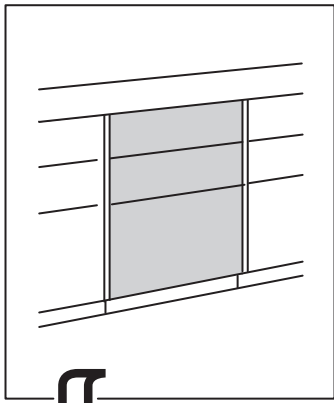


8

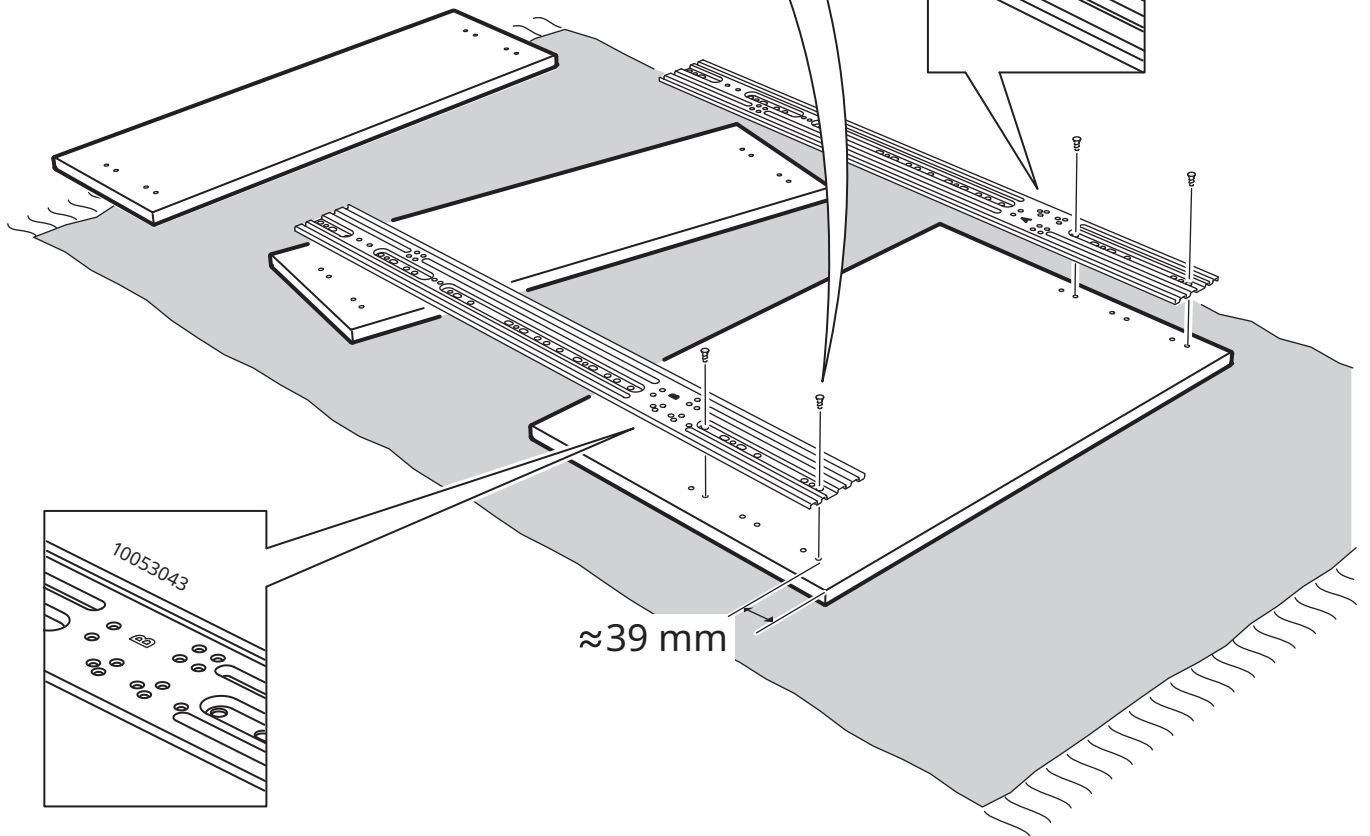
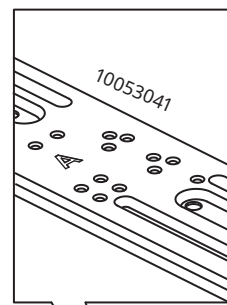
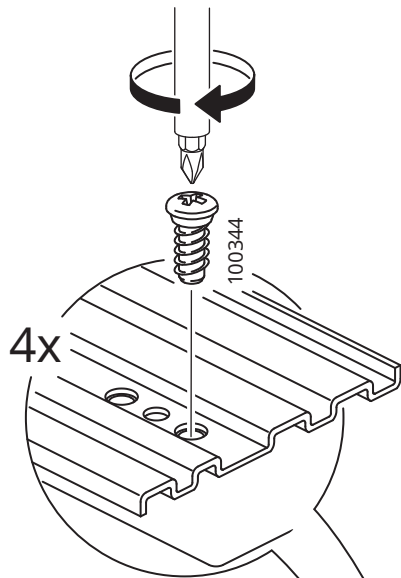


9



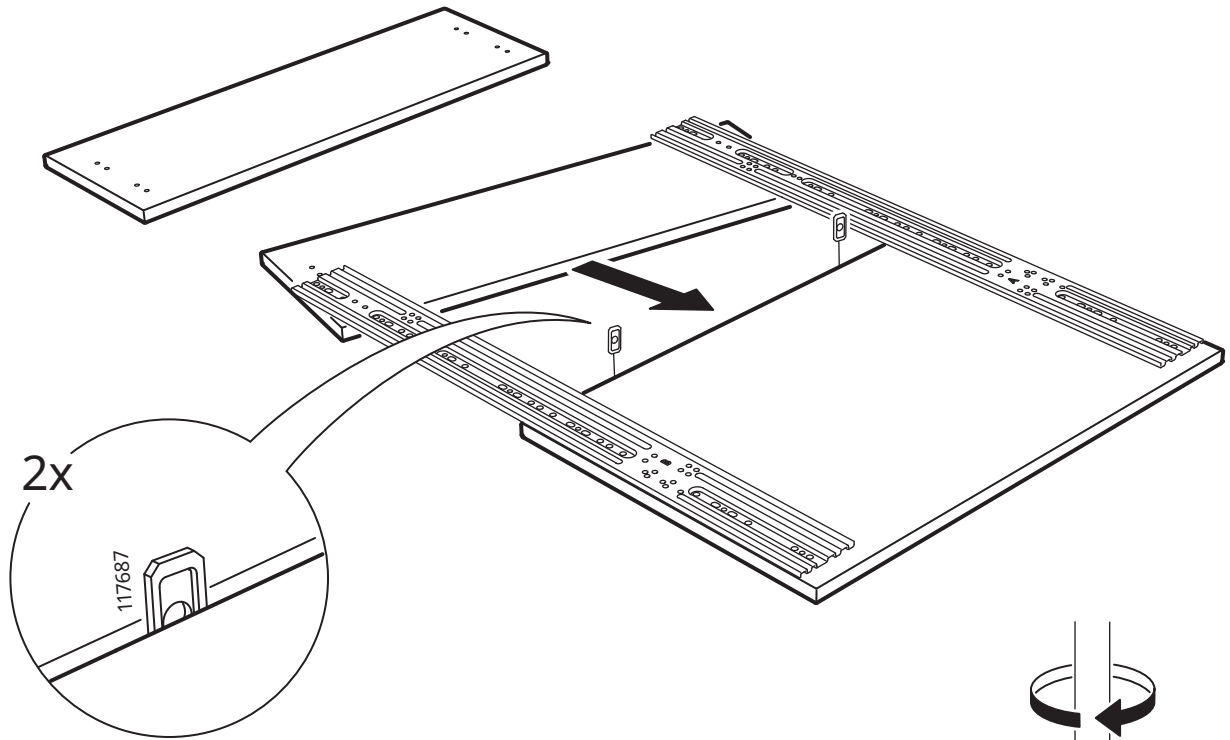


1

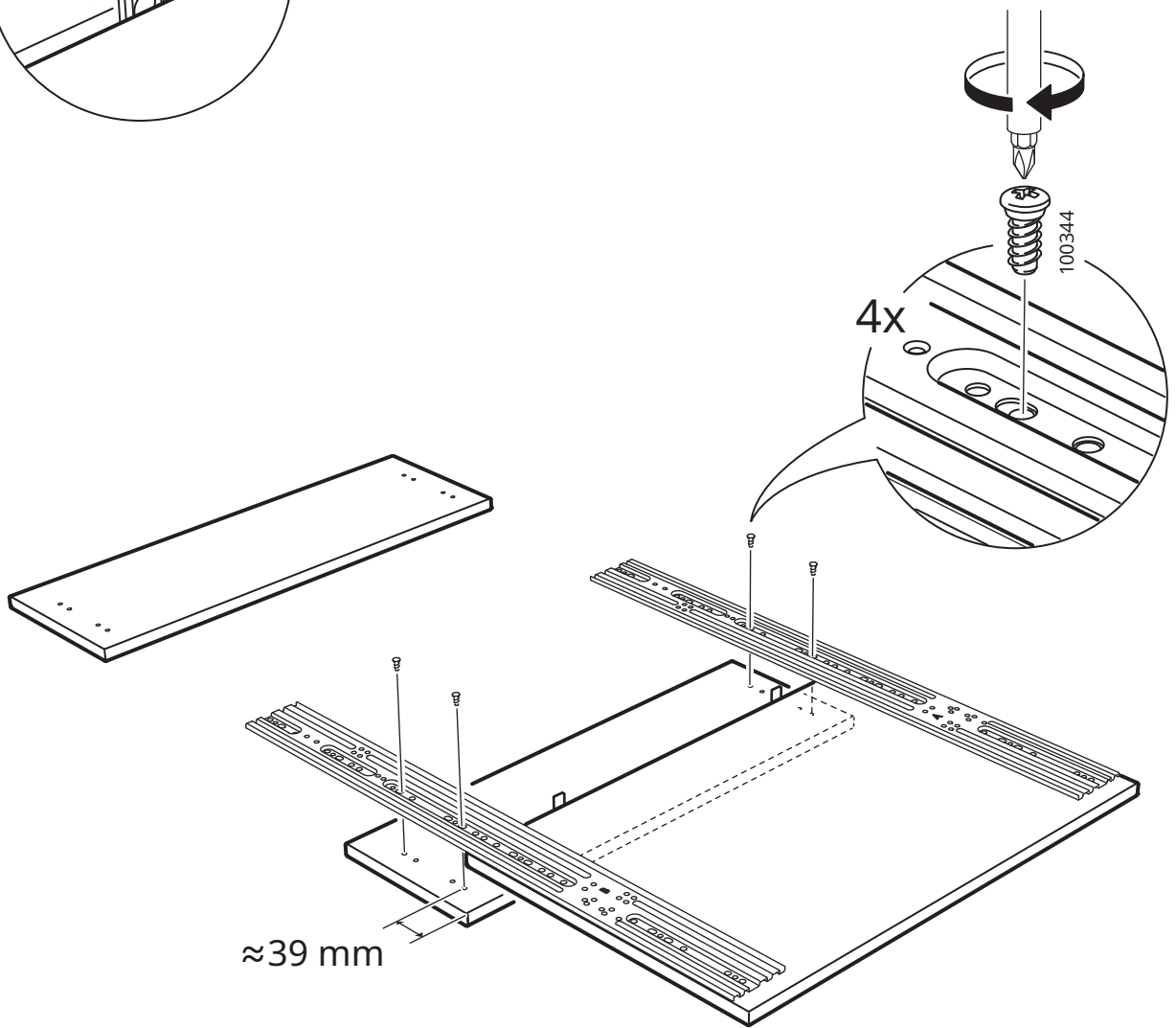


≈ 39 mm

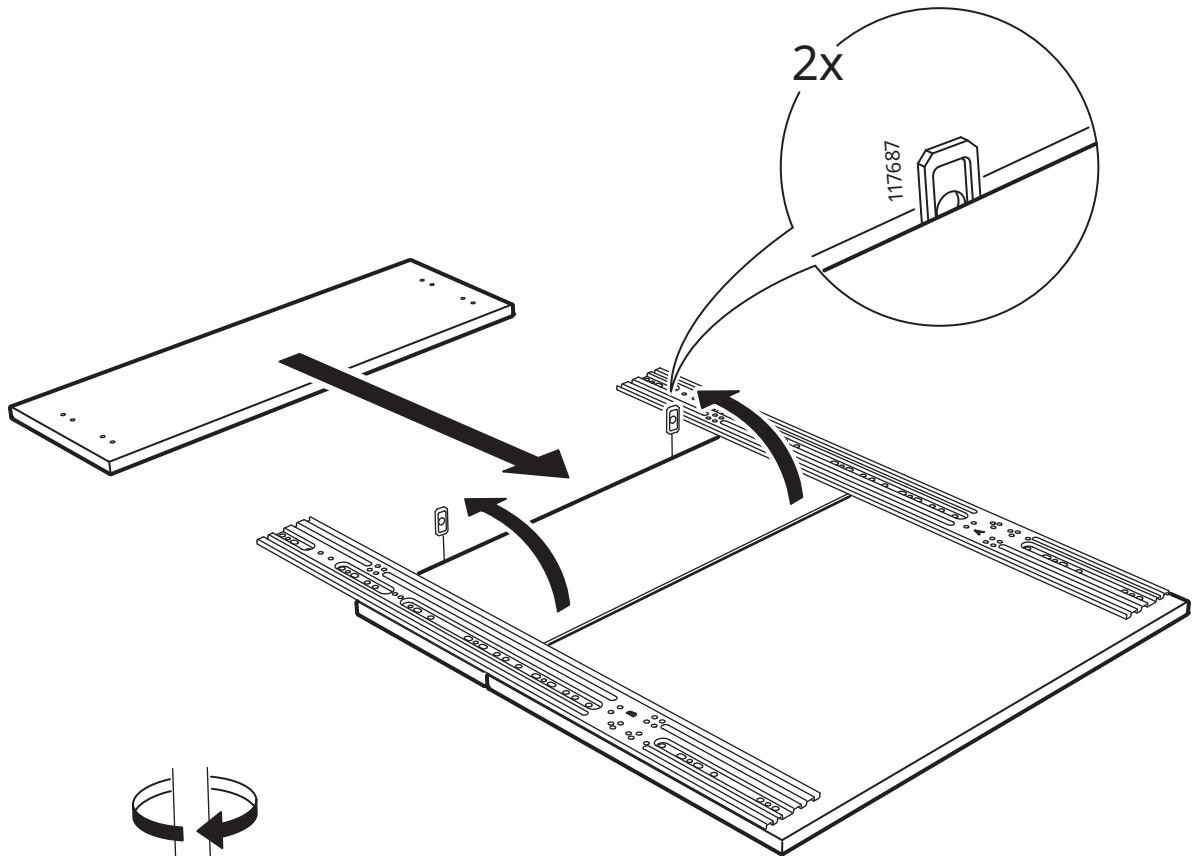
# 2



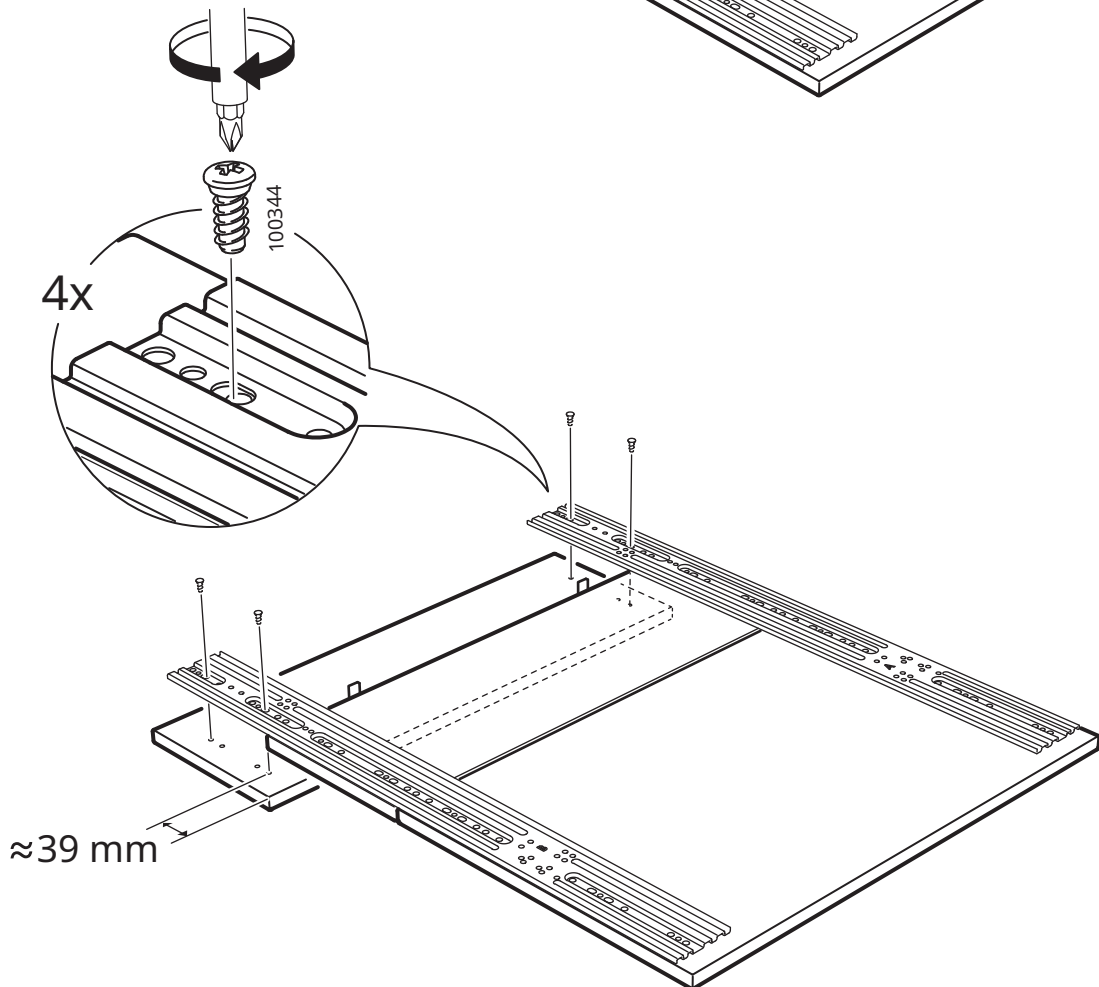
# 3



4

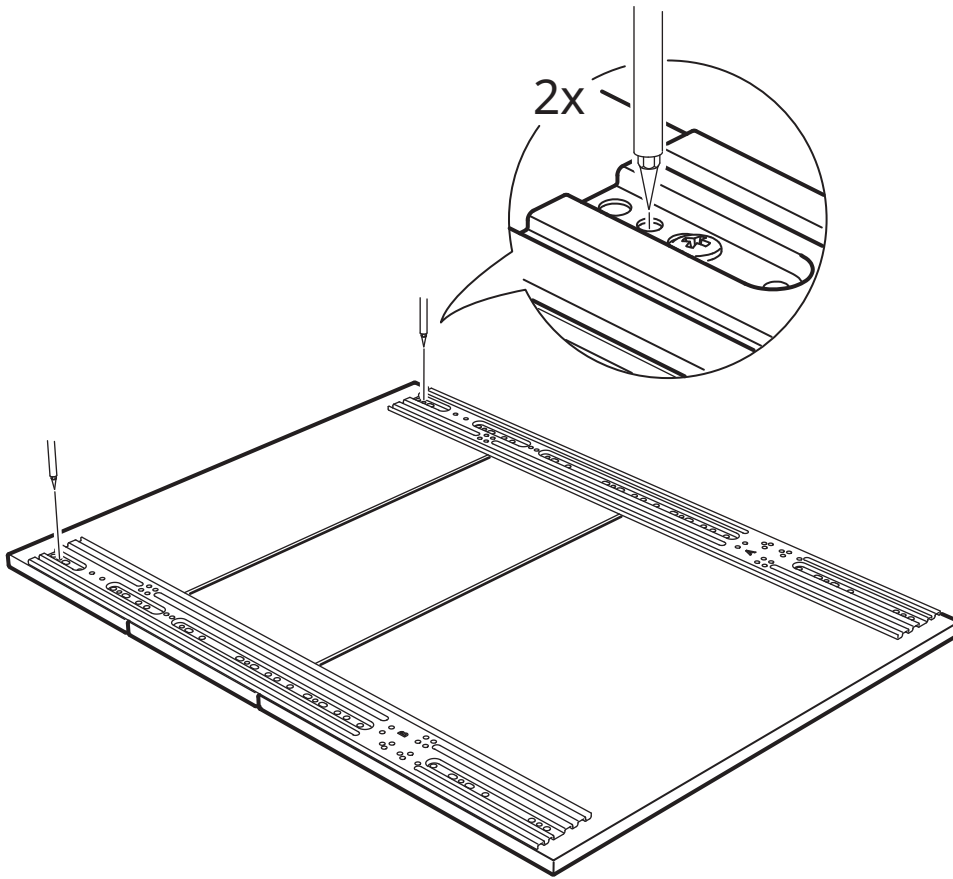


5

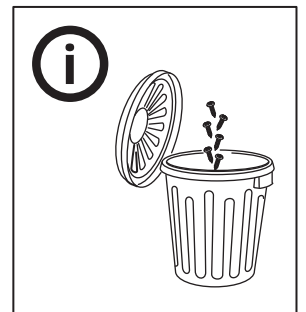
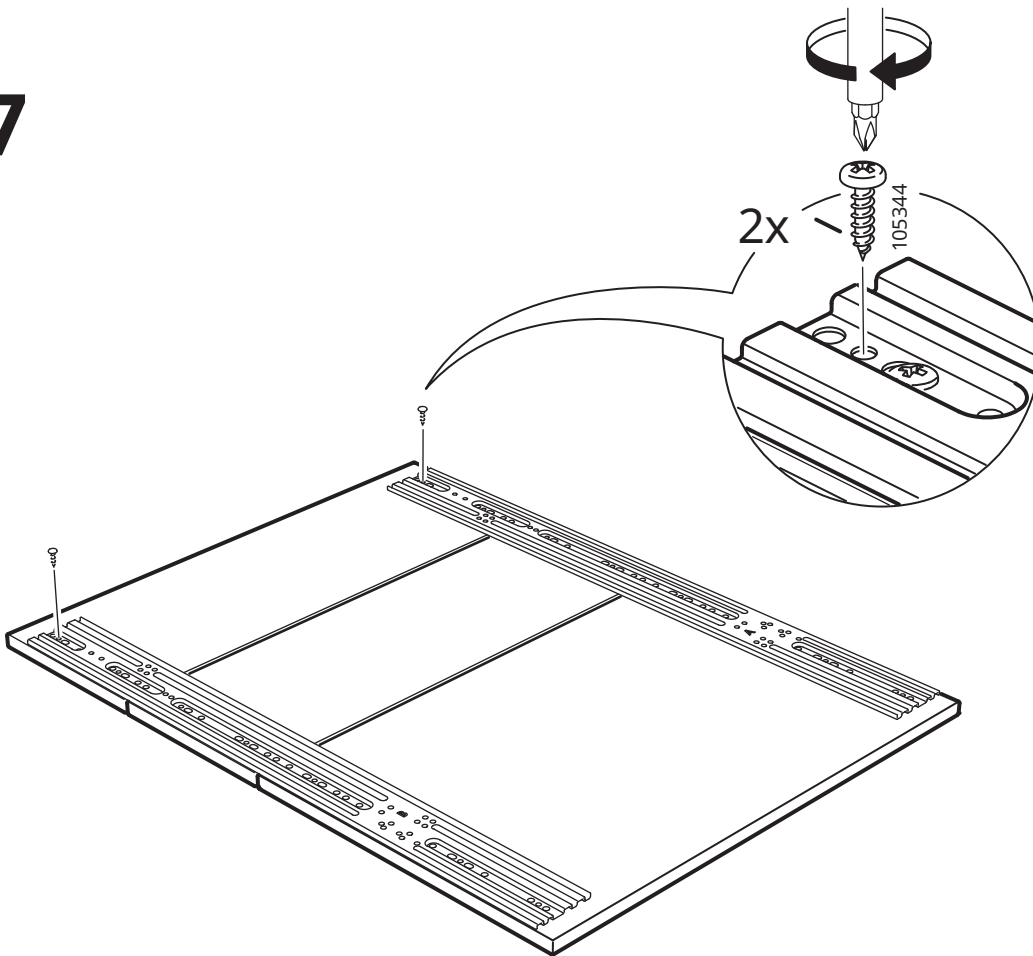


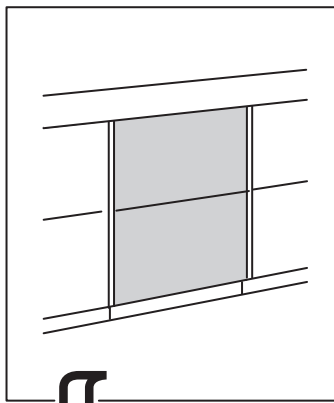


6

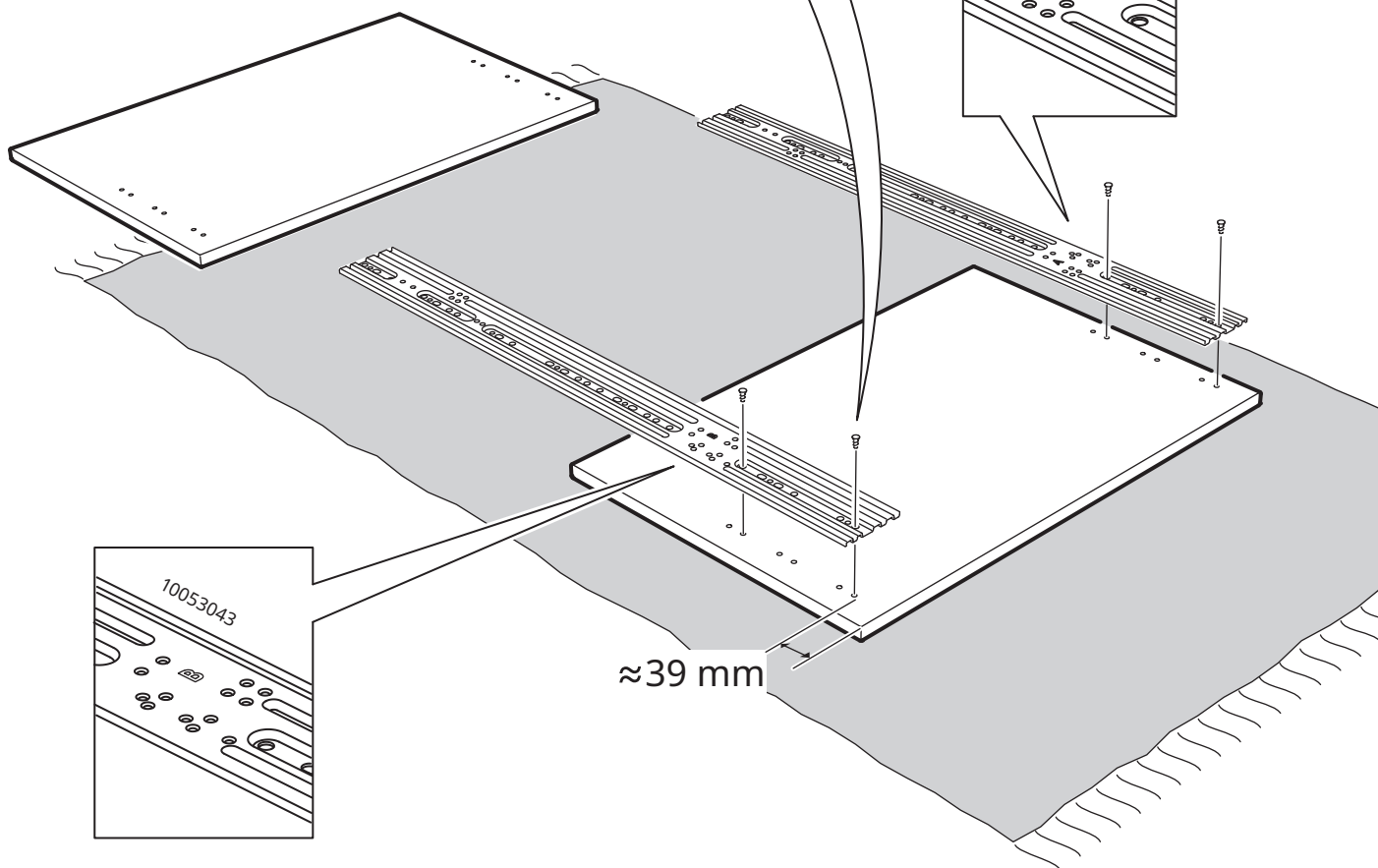
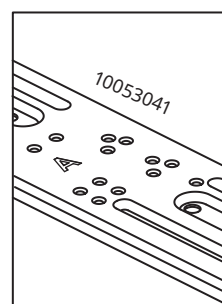
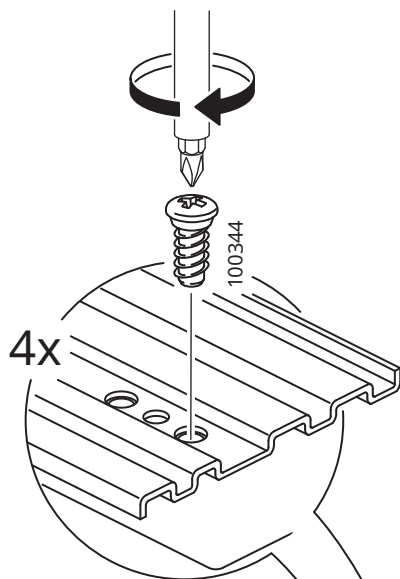


7

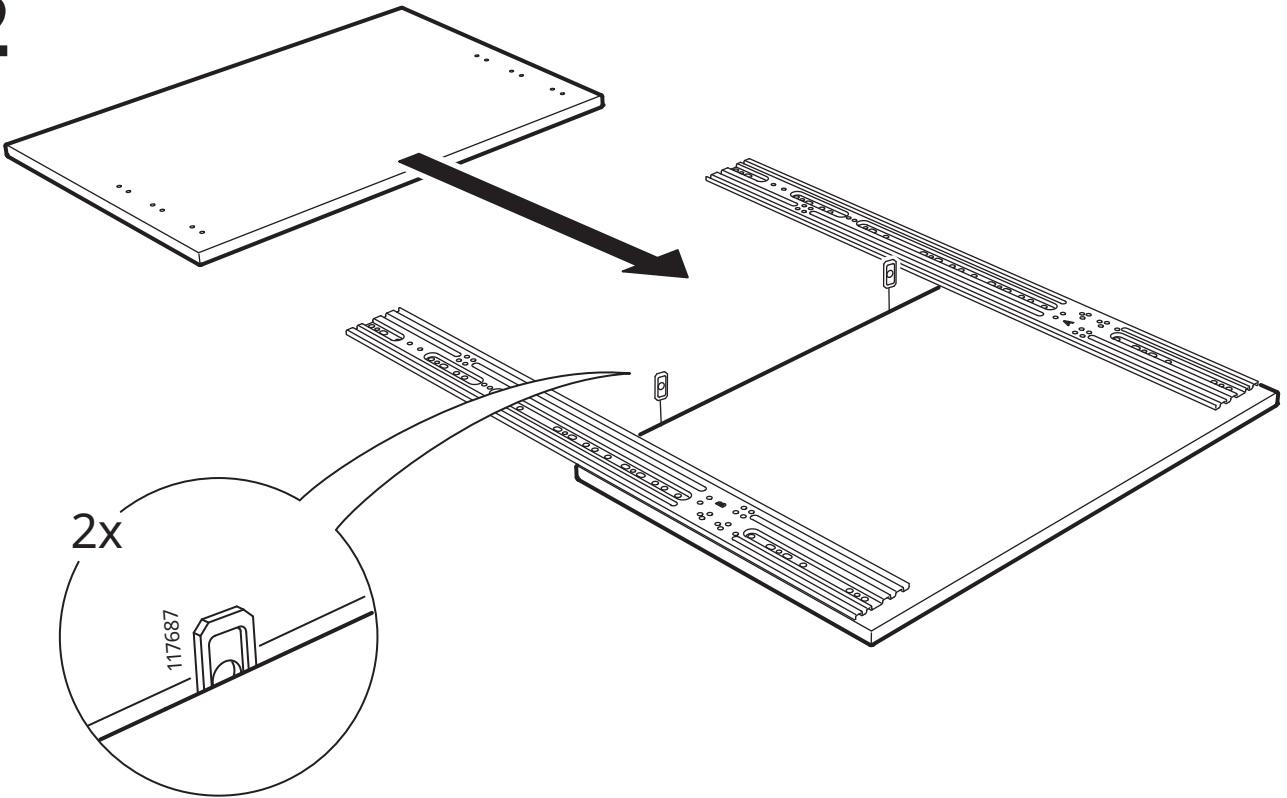




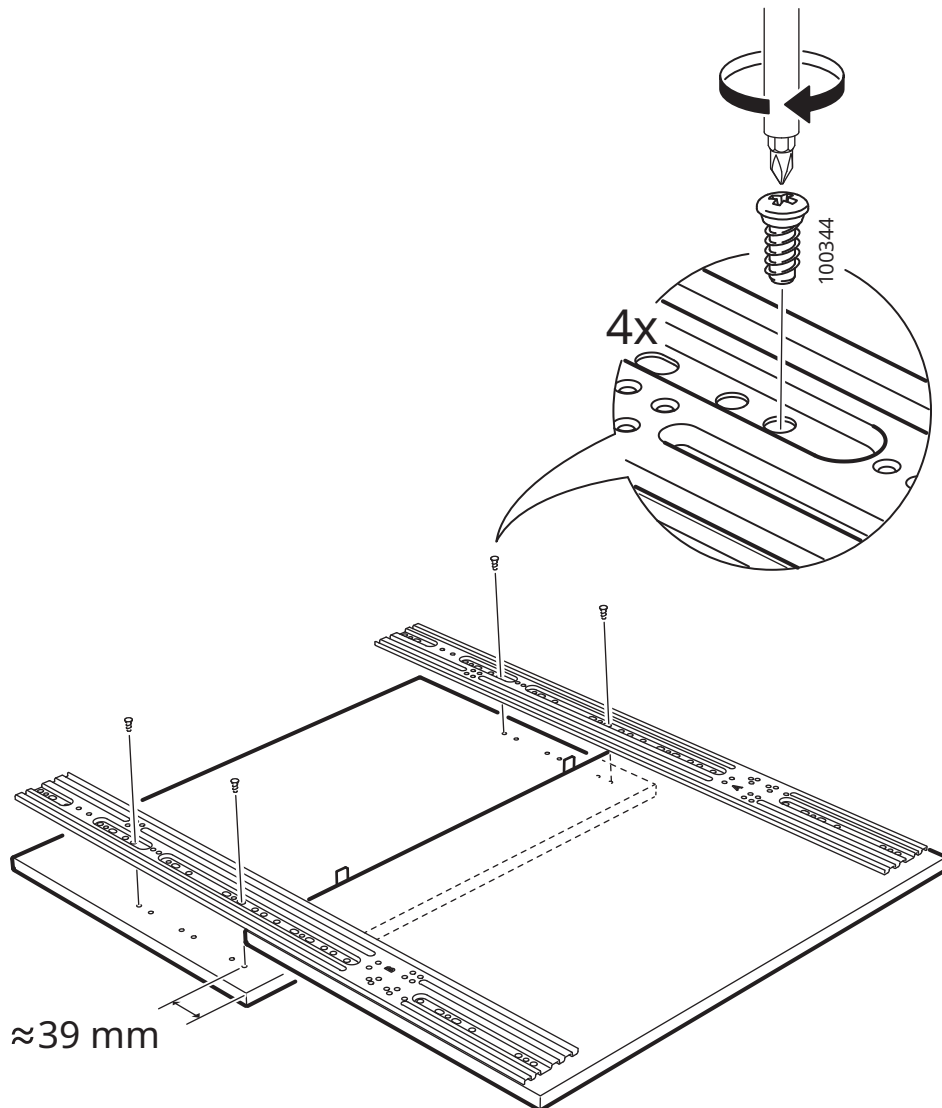
1



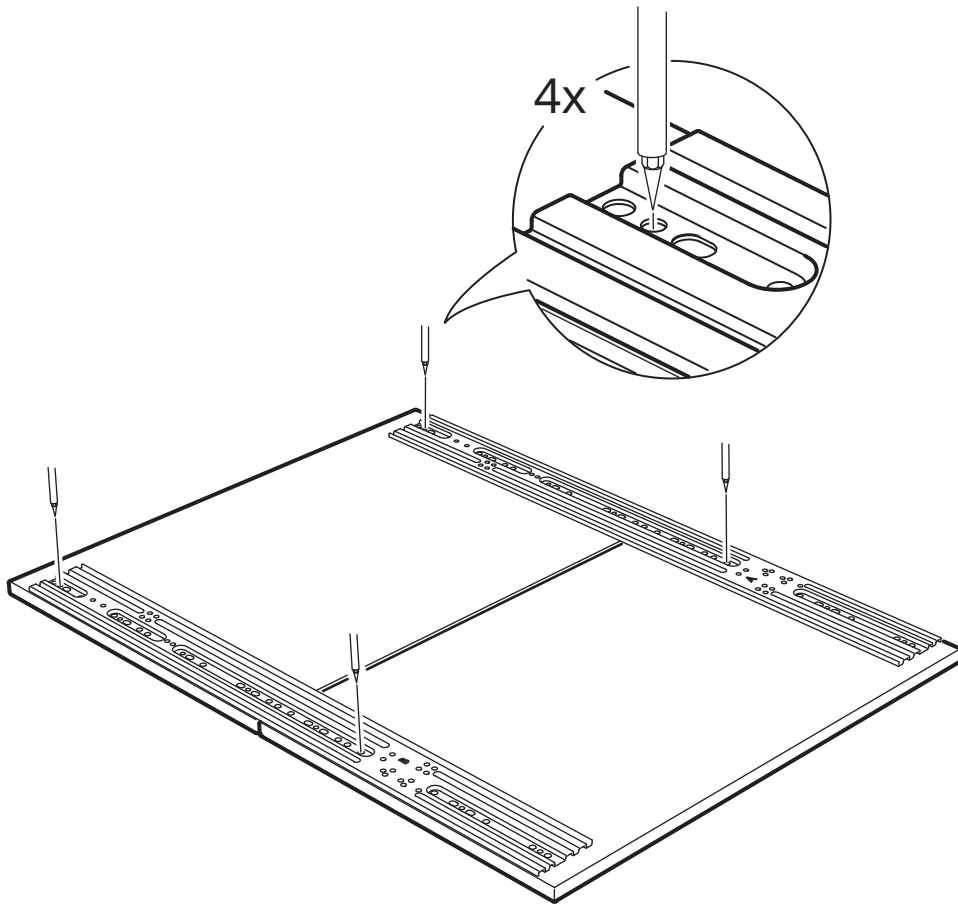
2



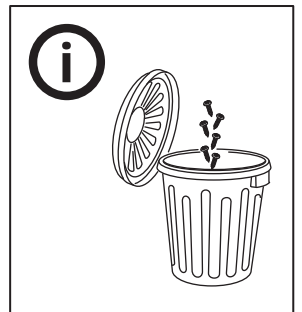
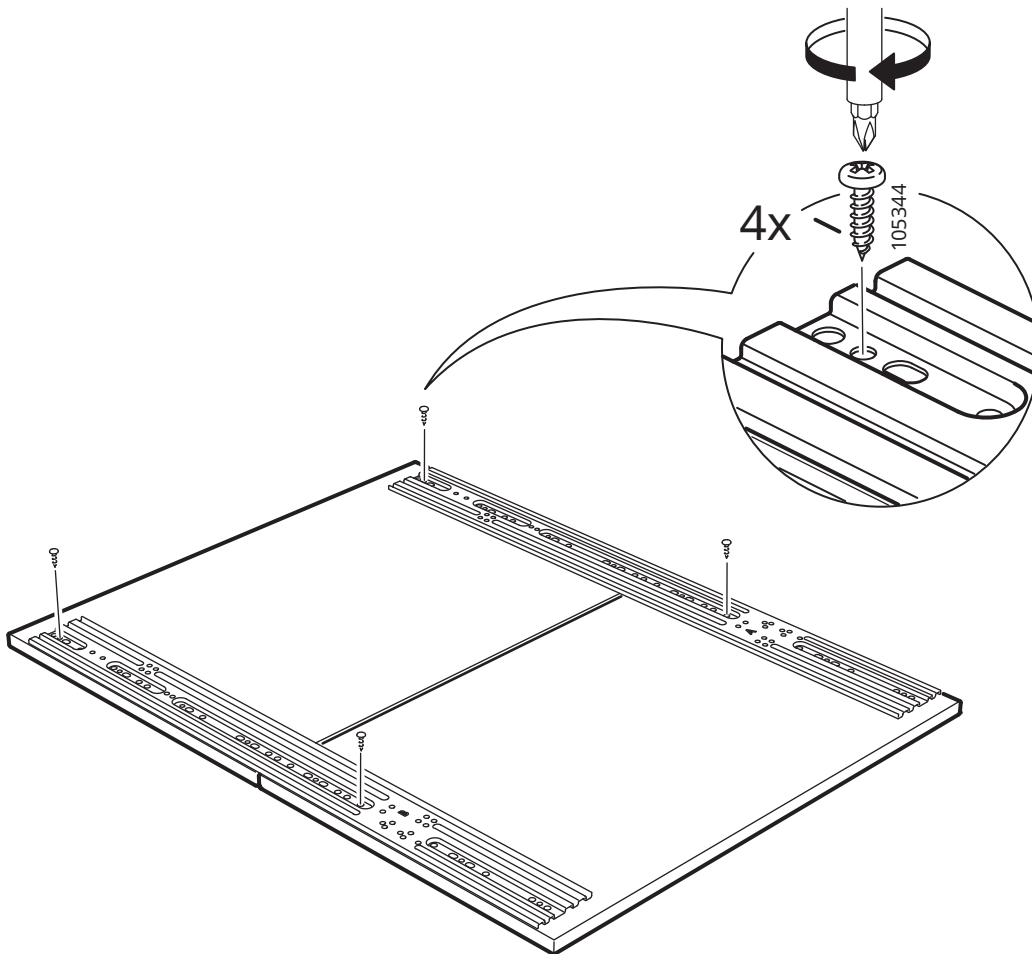
3

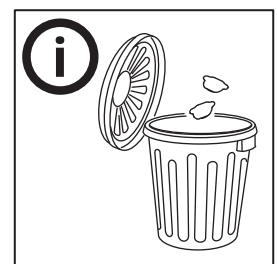
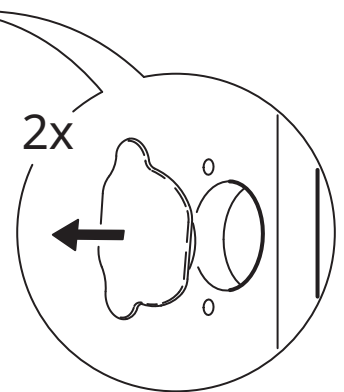
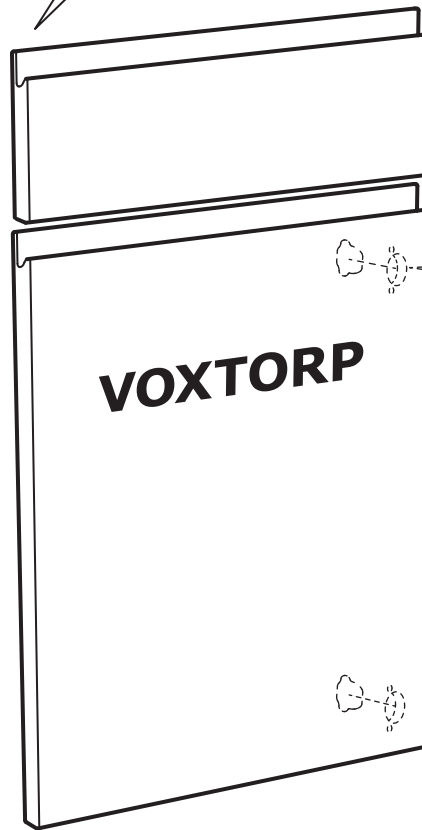
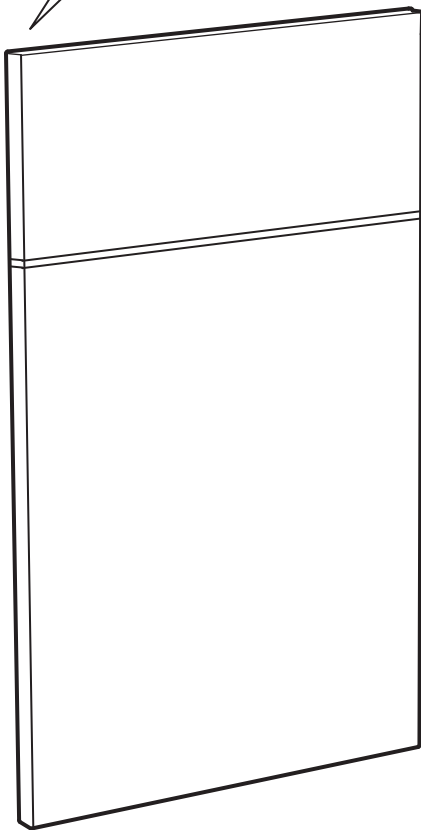
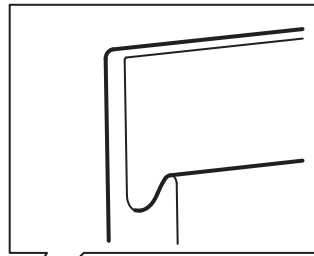
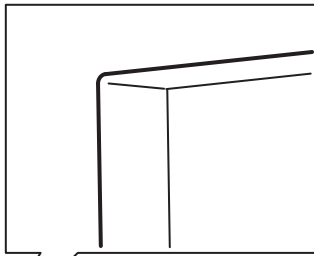
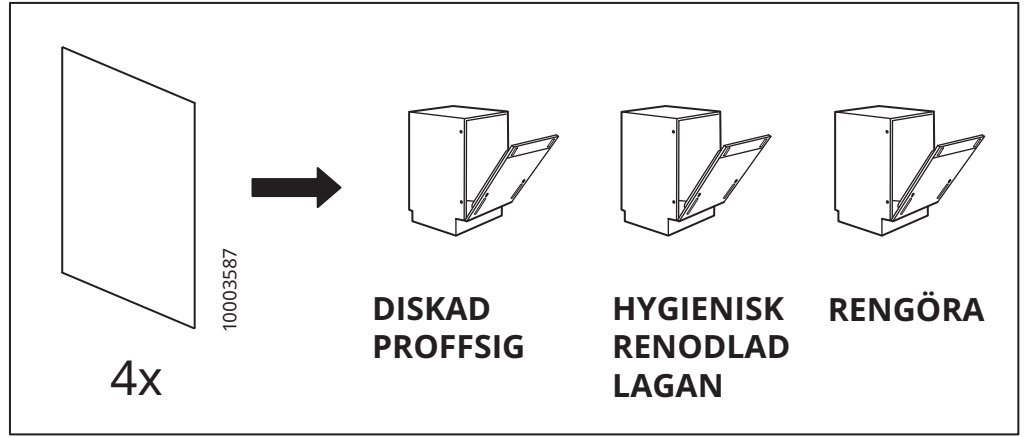
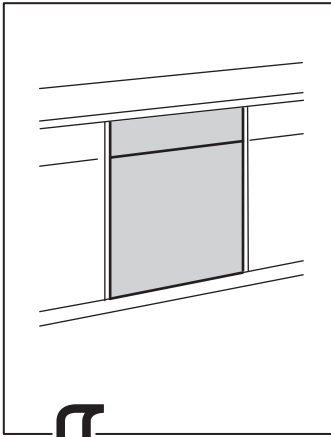


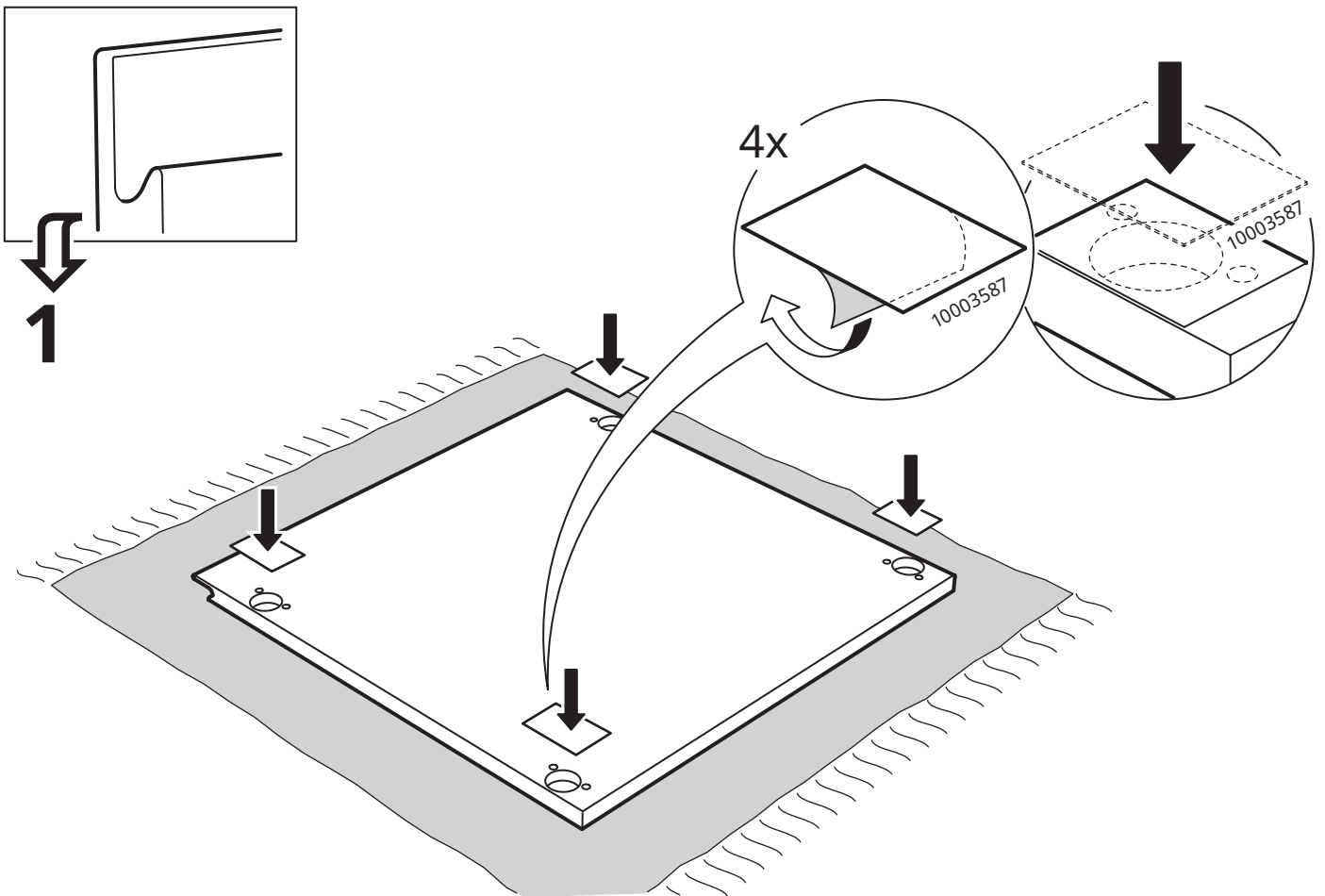
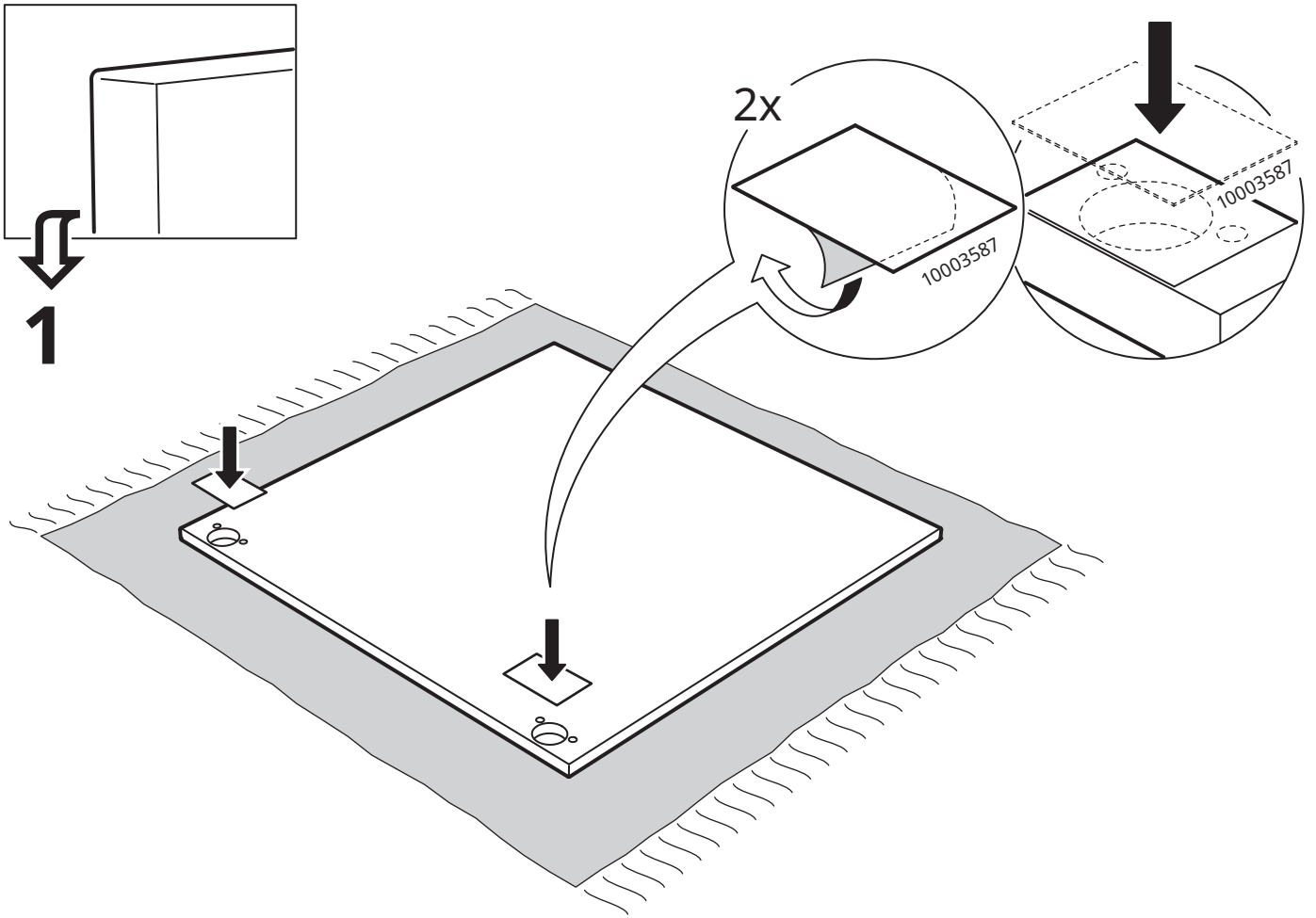
4



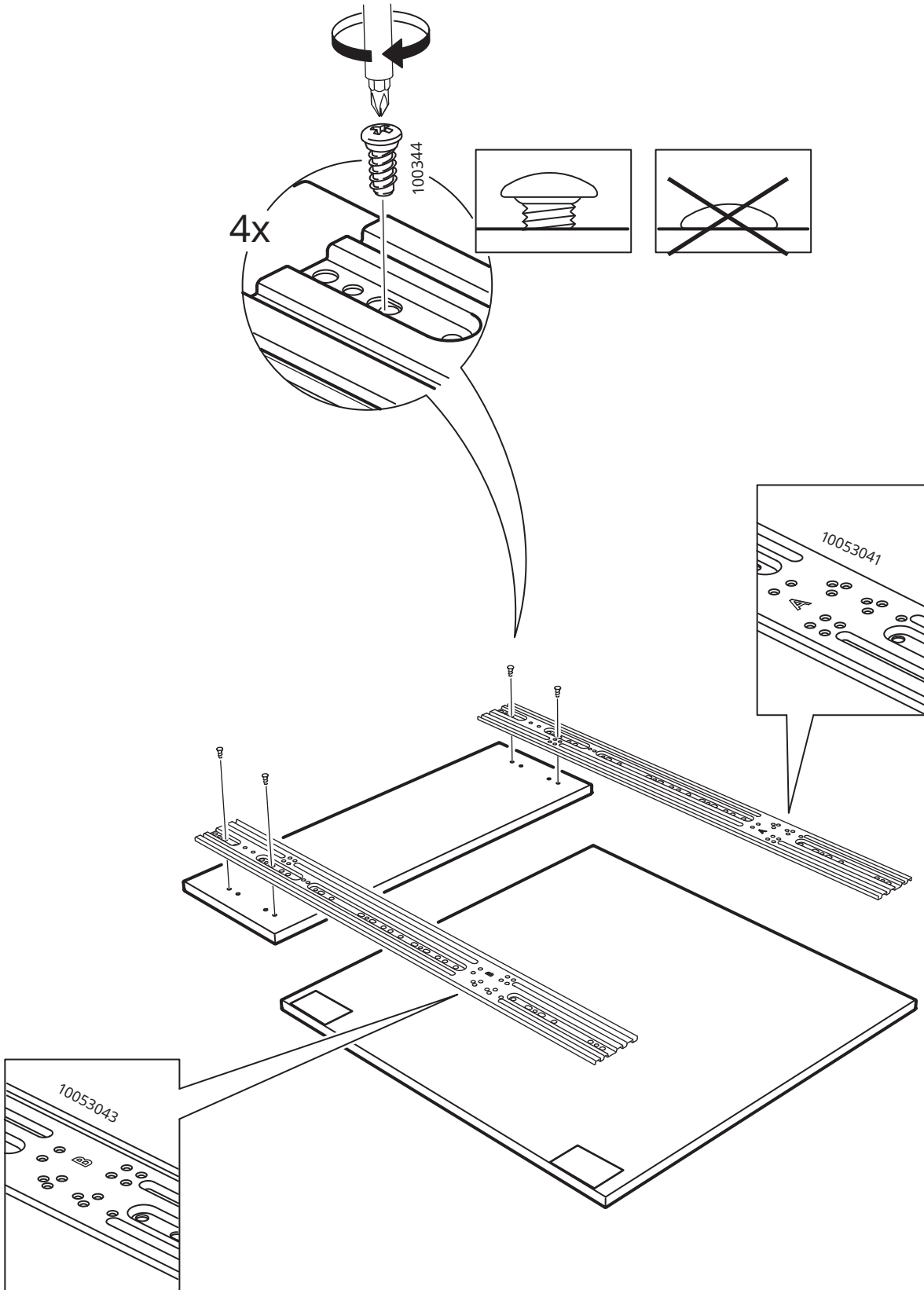
5



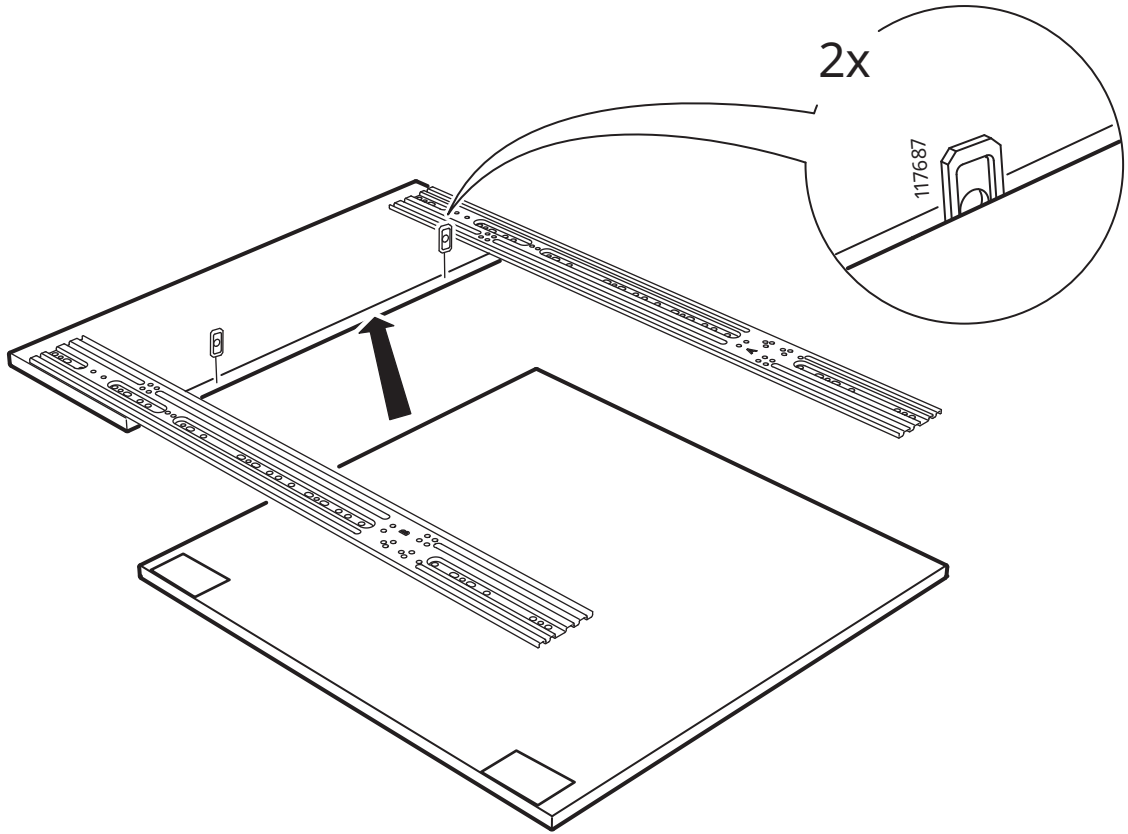




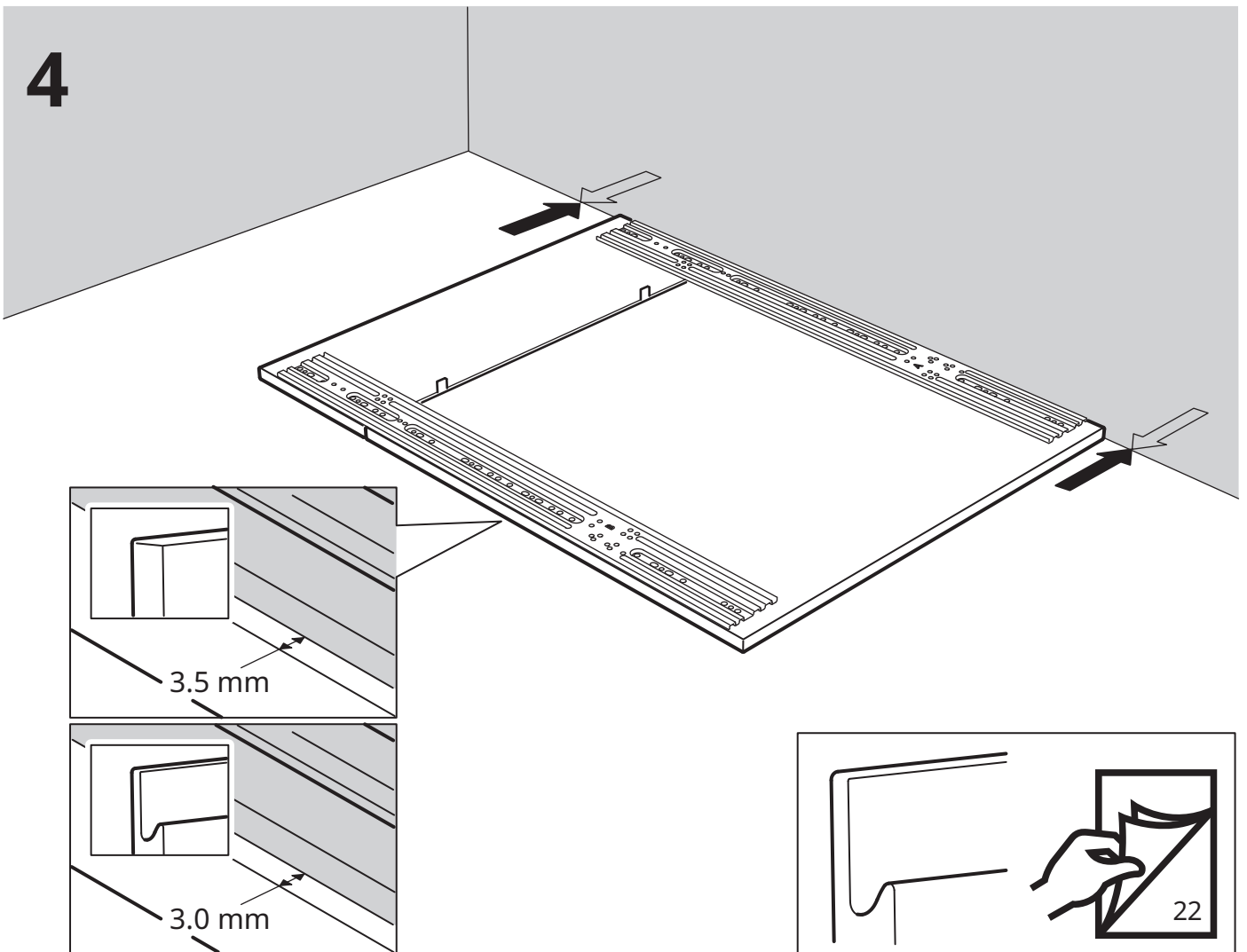
2



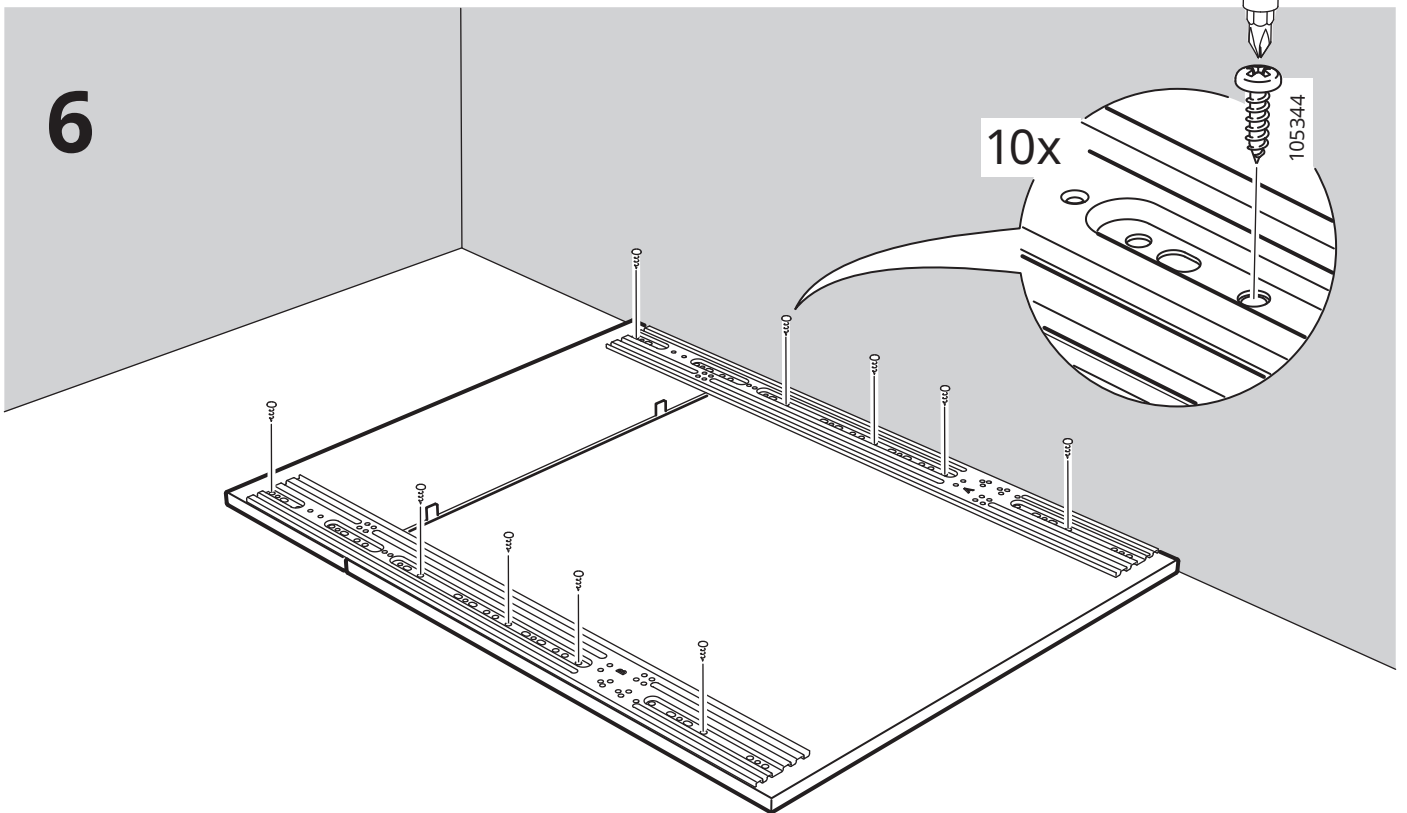
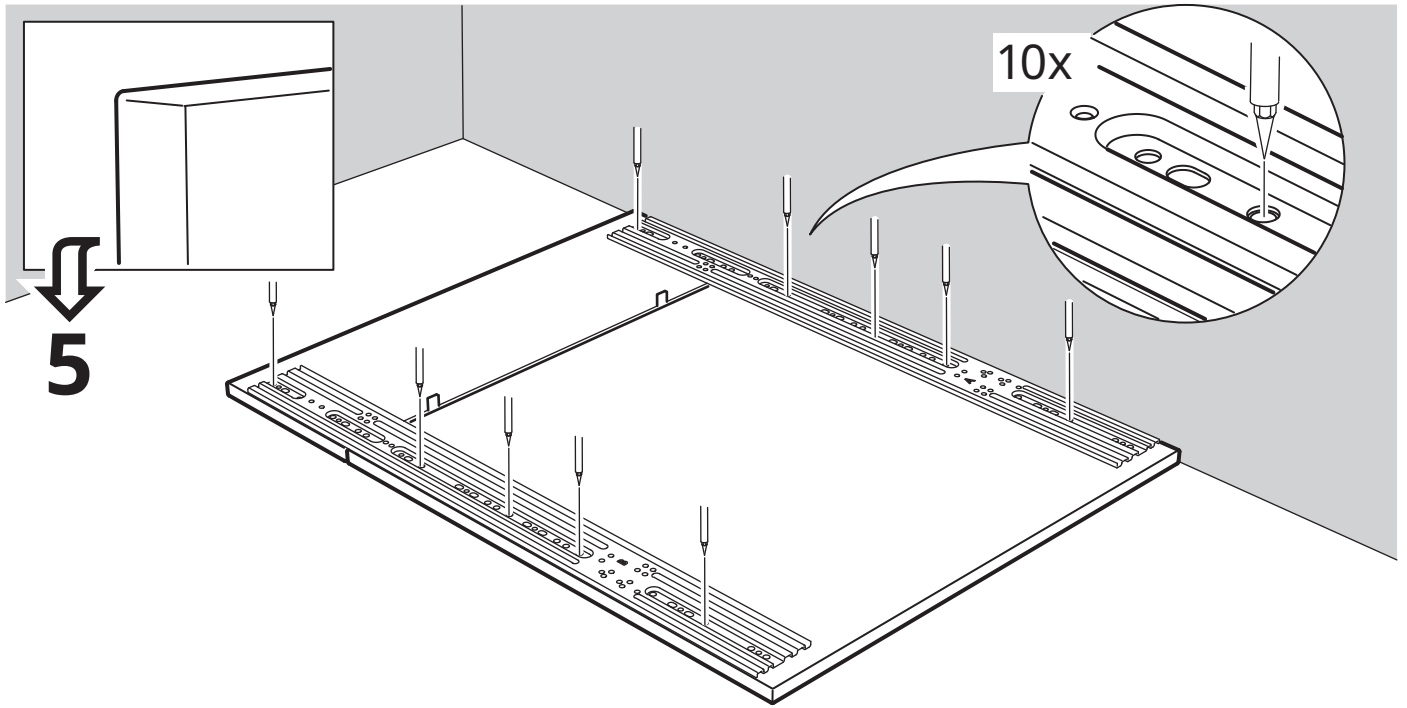
3

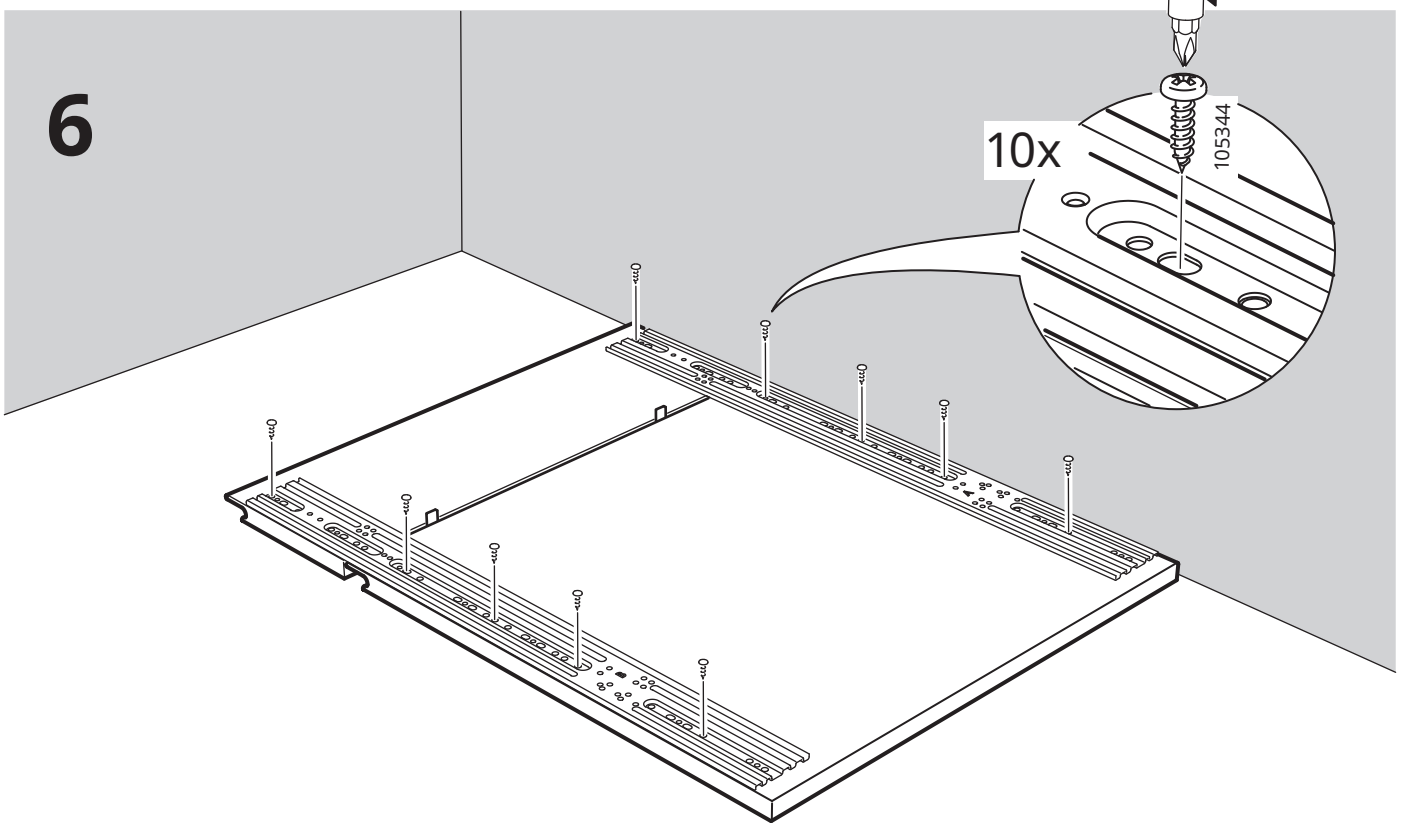
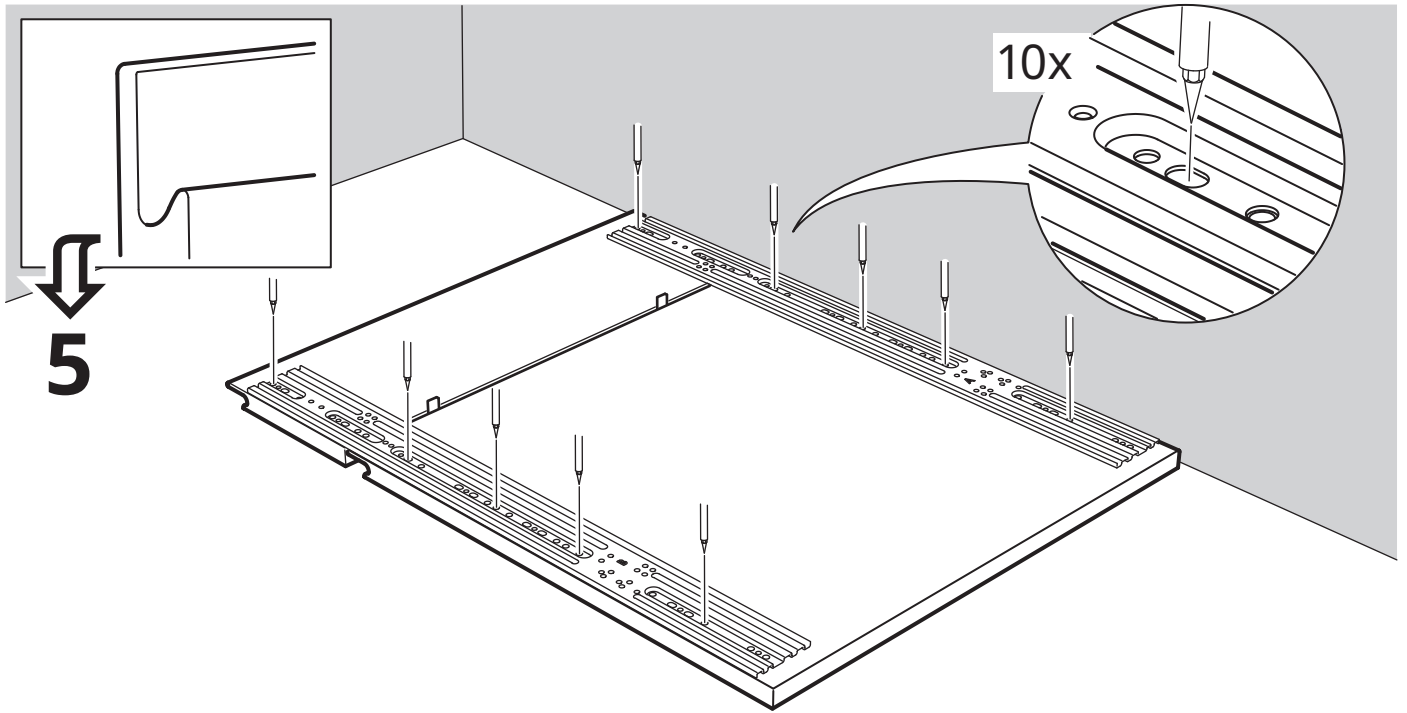


4

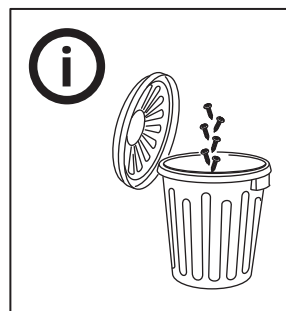
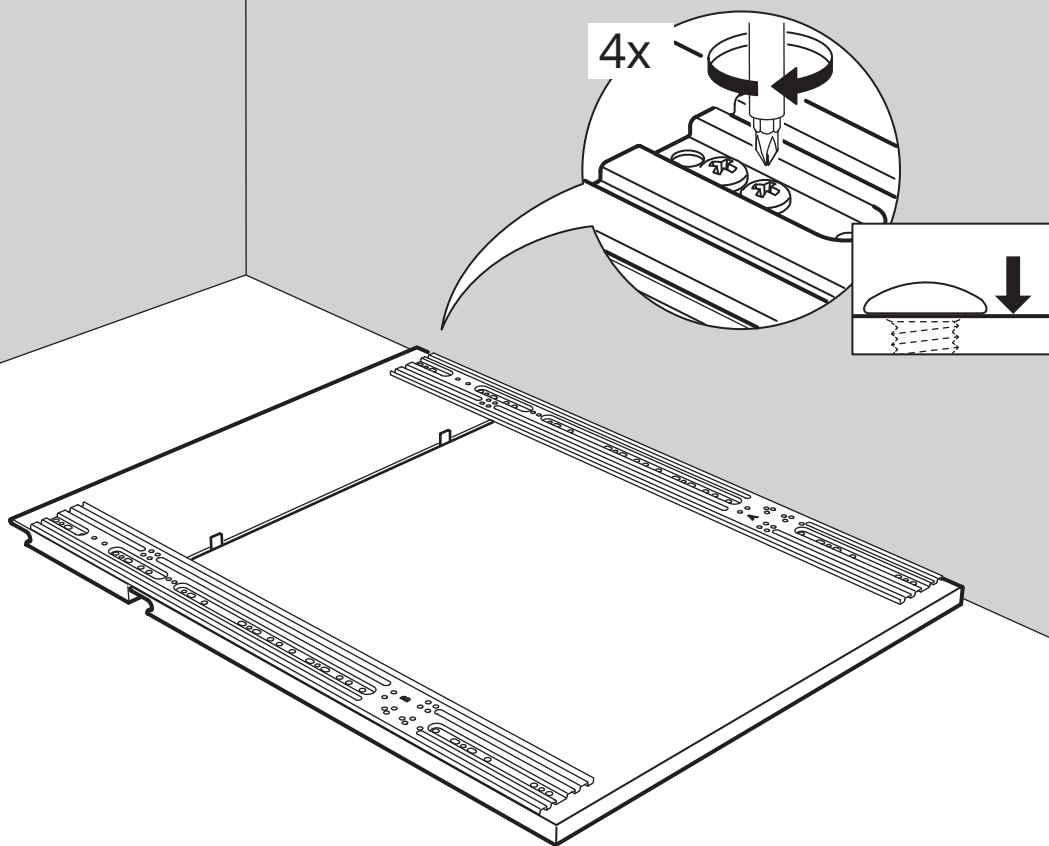


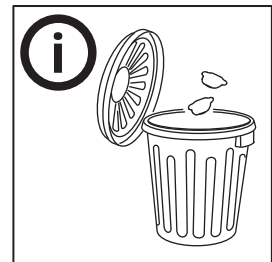
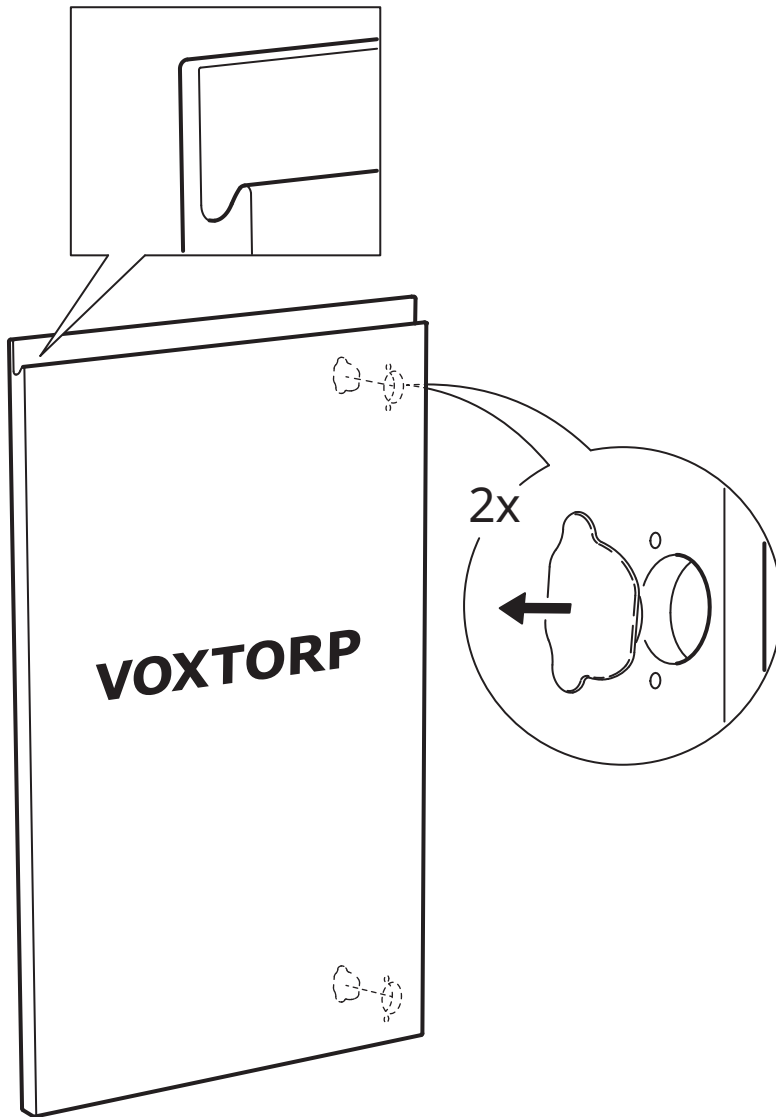
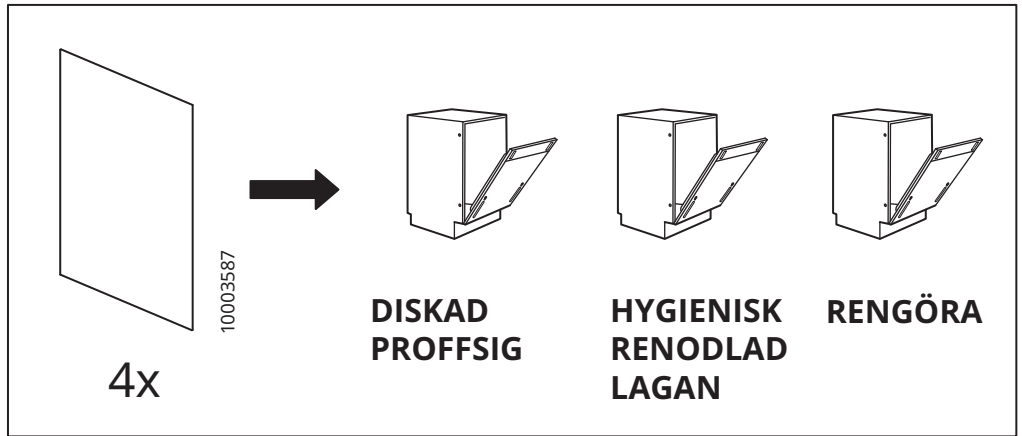
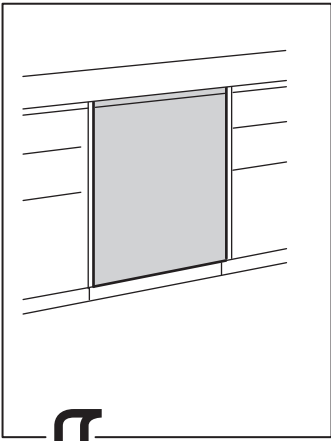


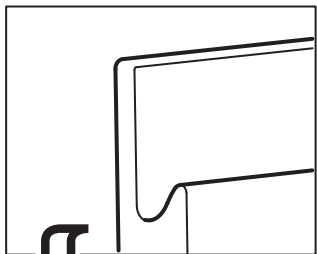




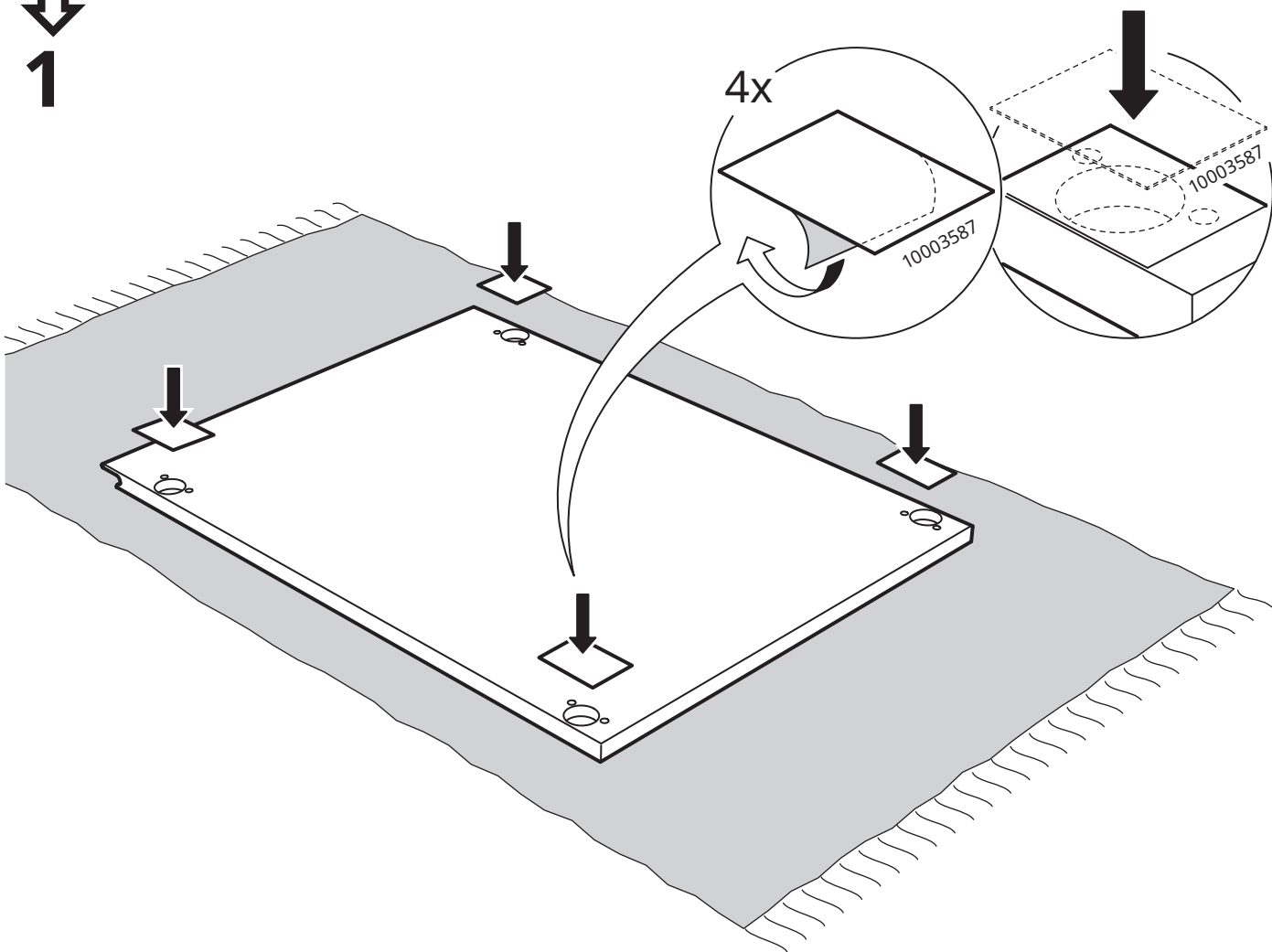
7



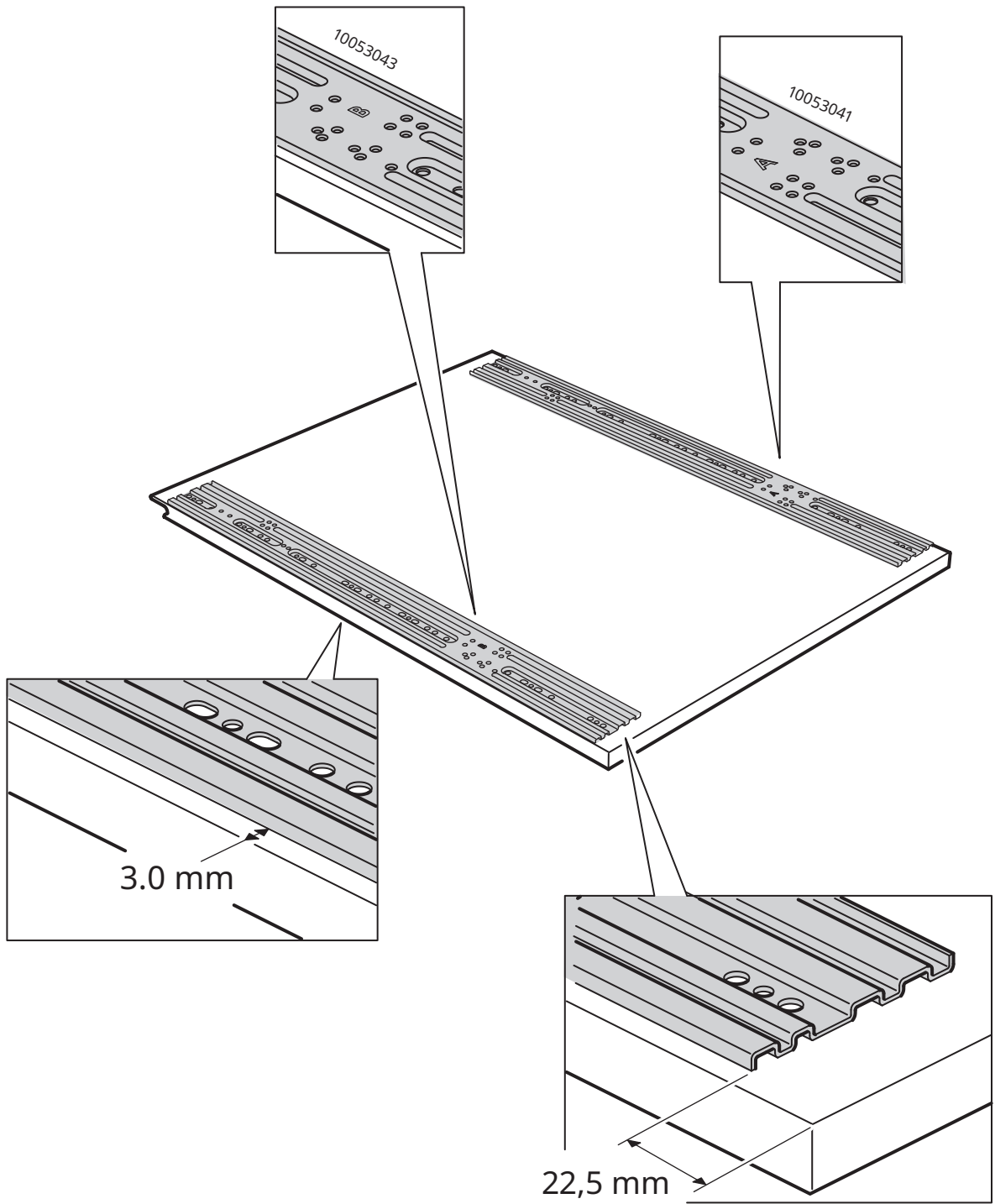




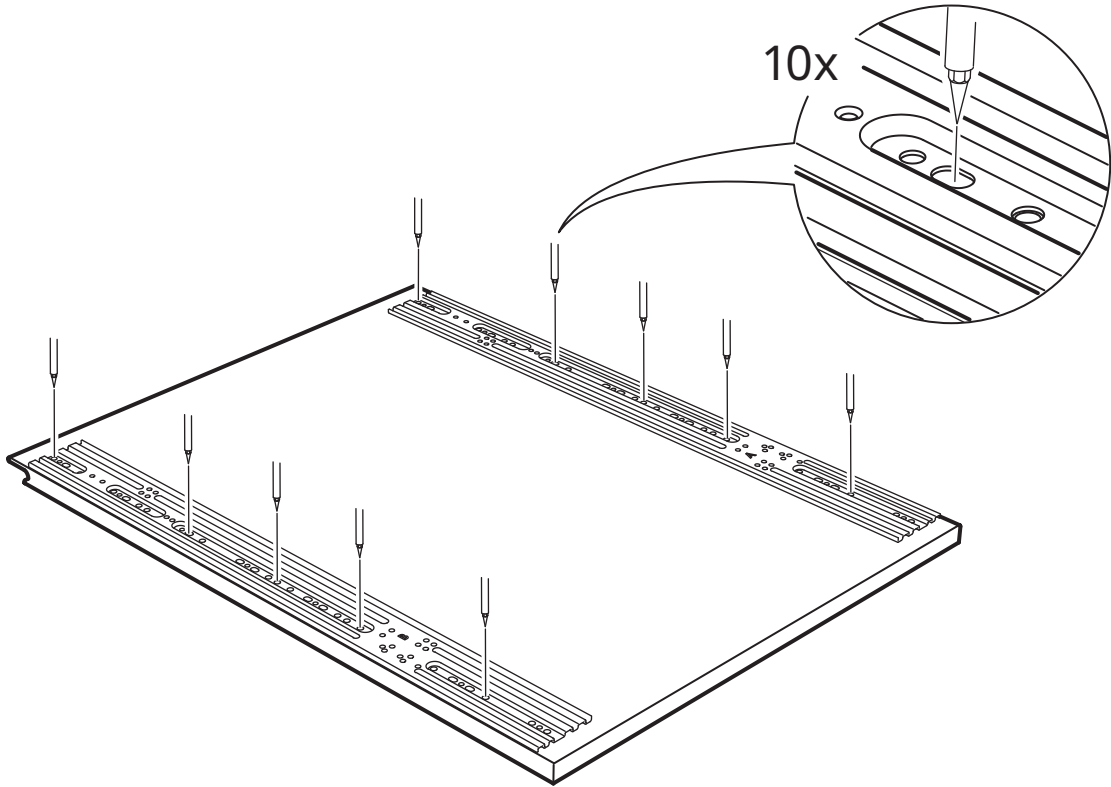
1



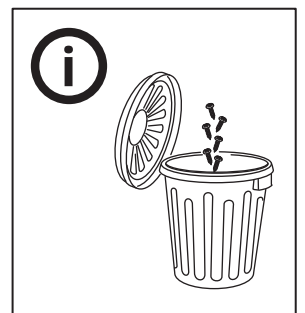
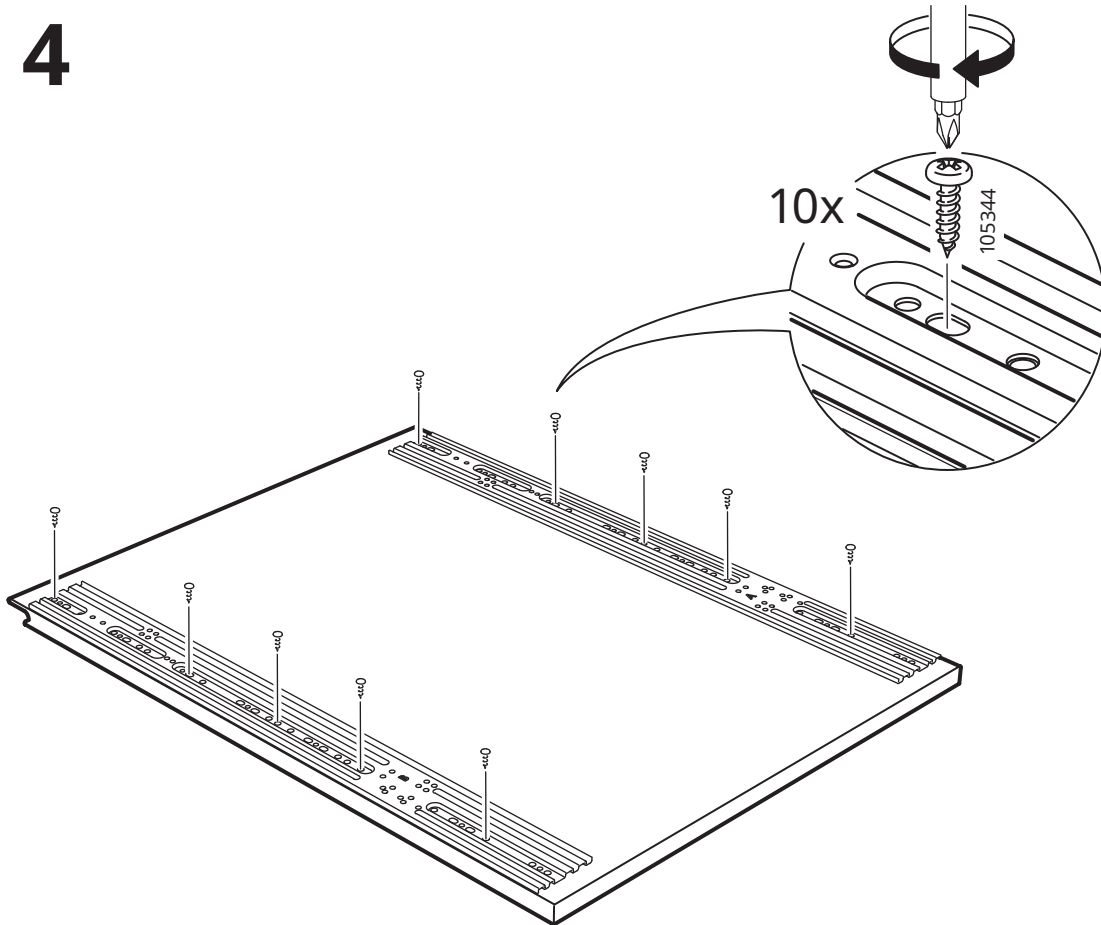
# 2

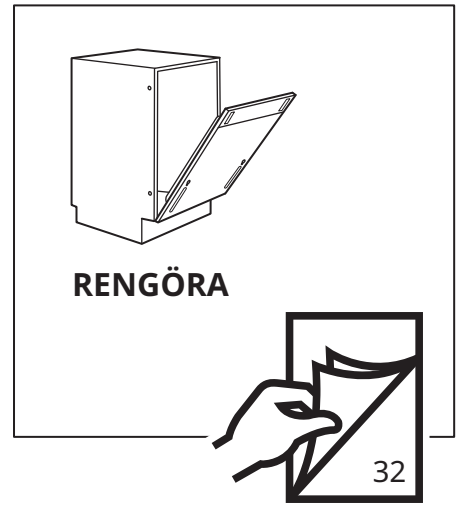
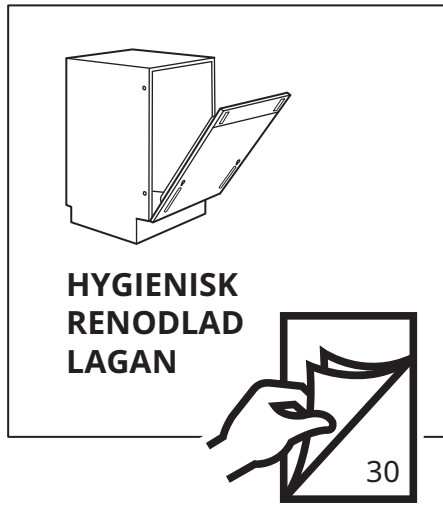


3

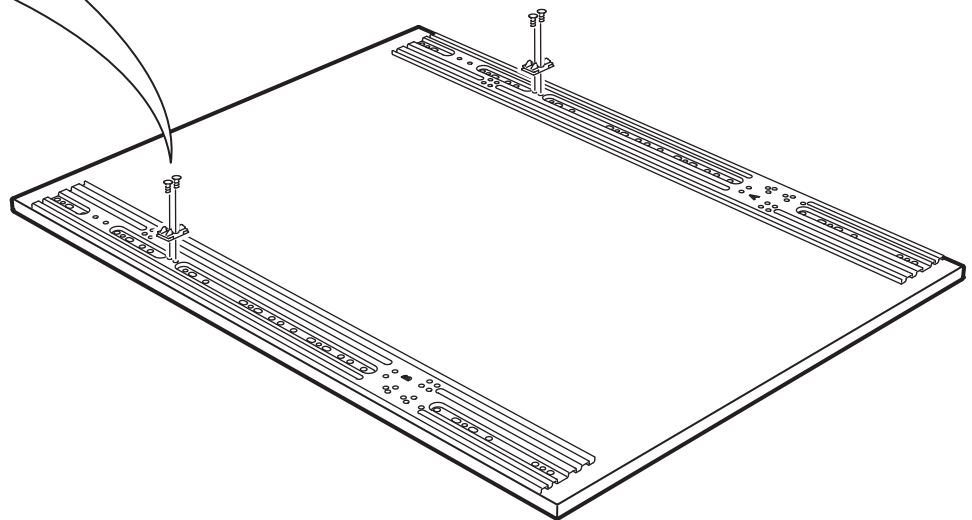
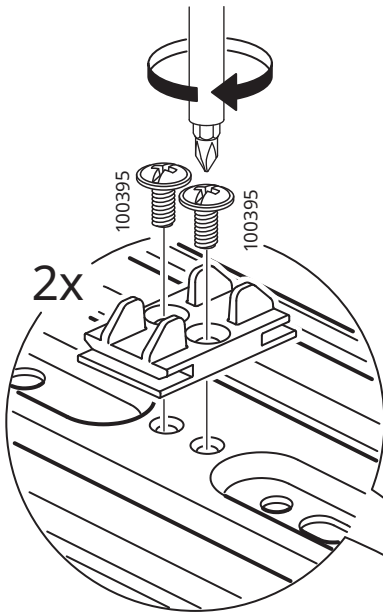
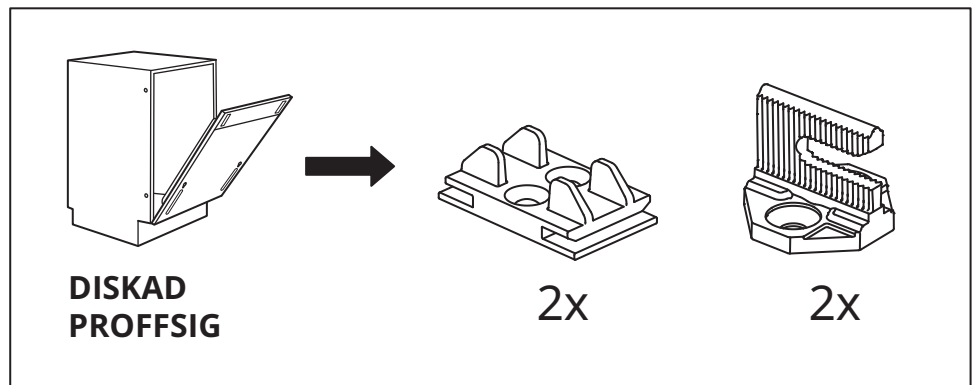


4



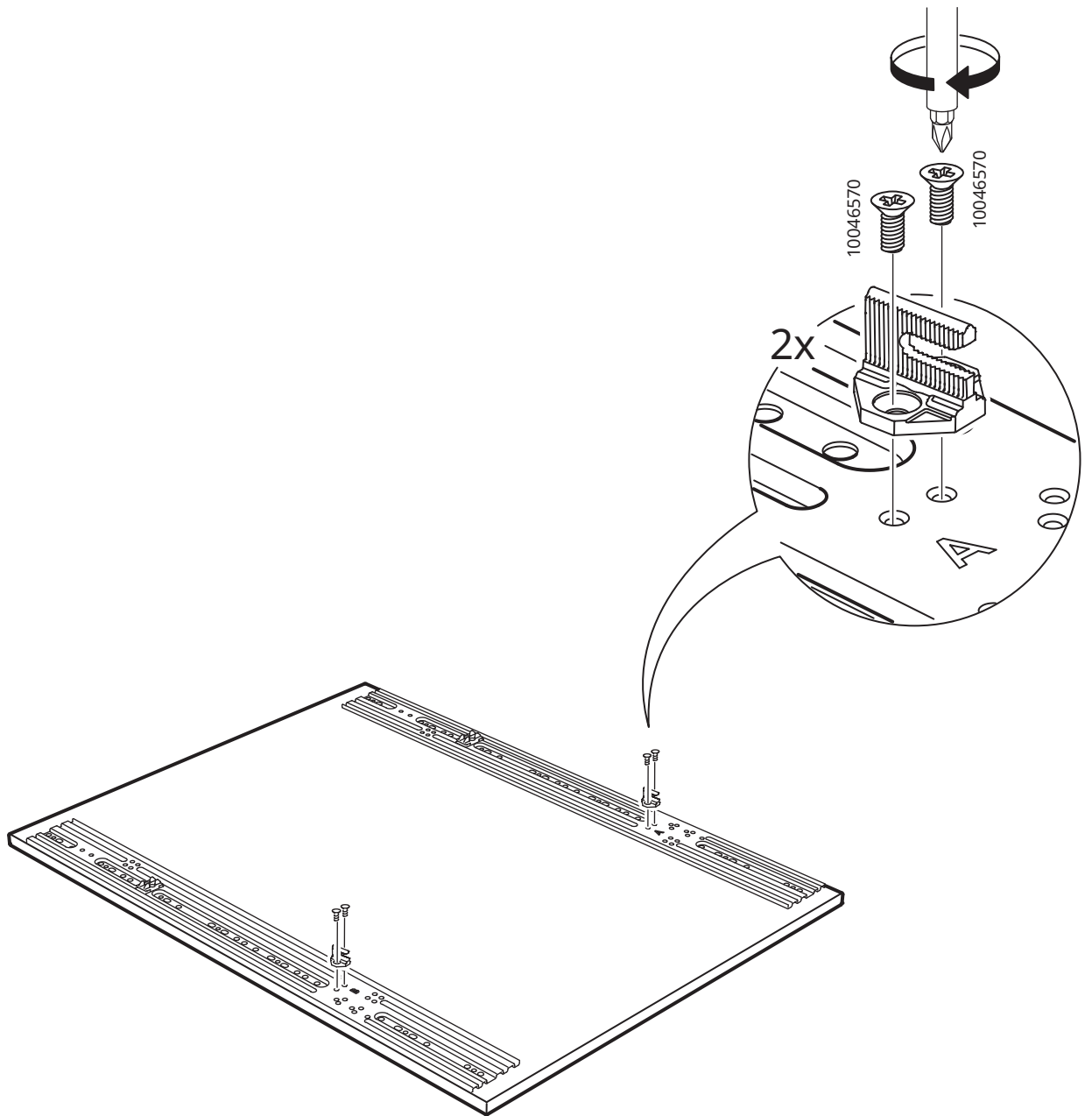


**1**



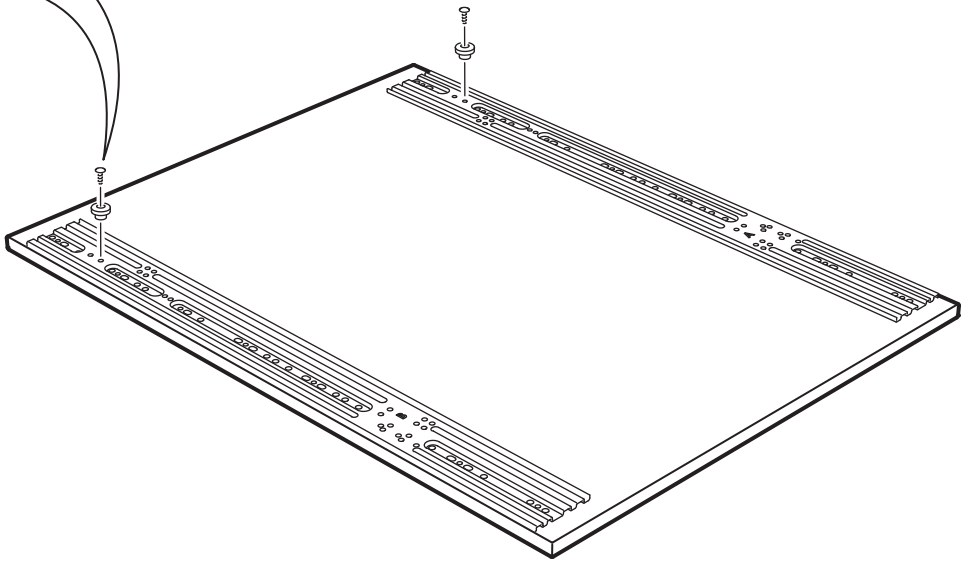
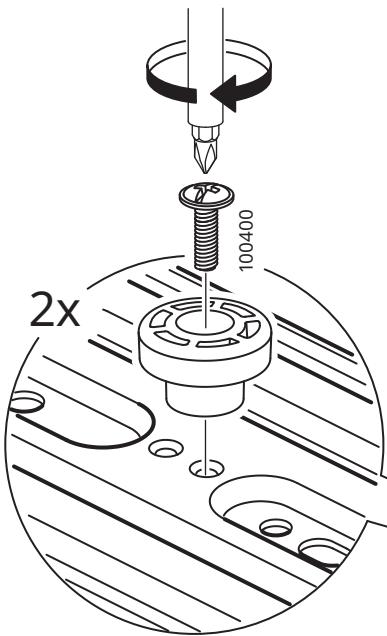
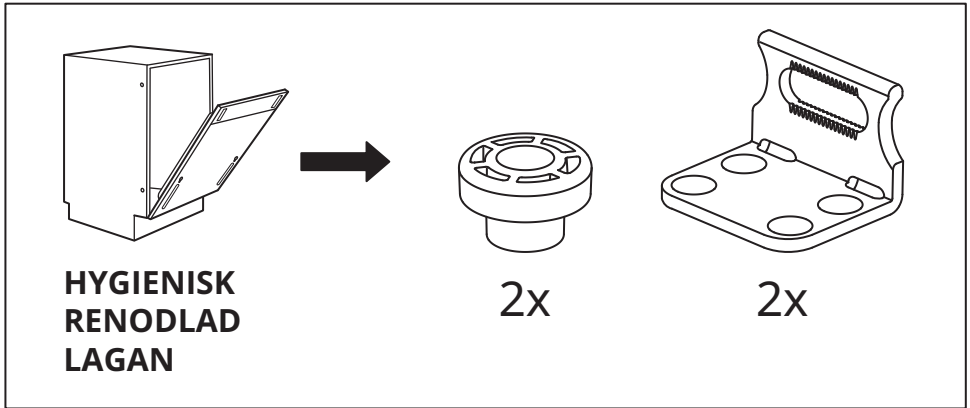


2

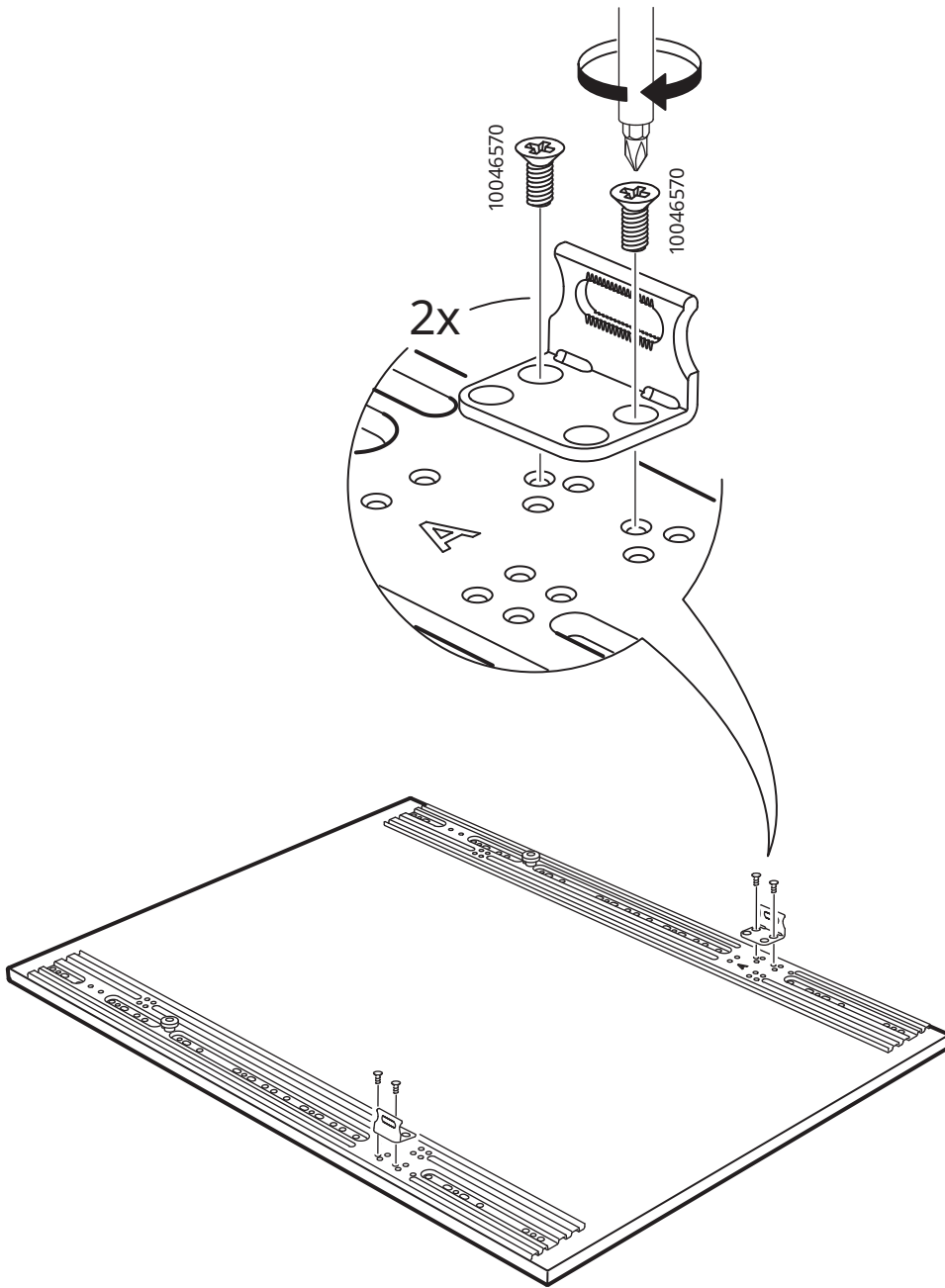


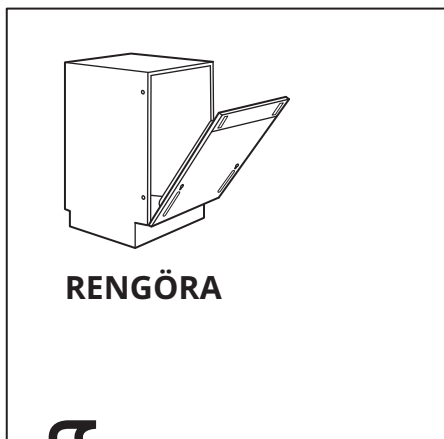


**1**

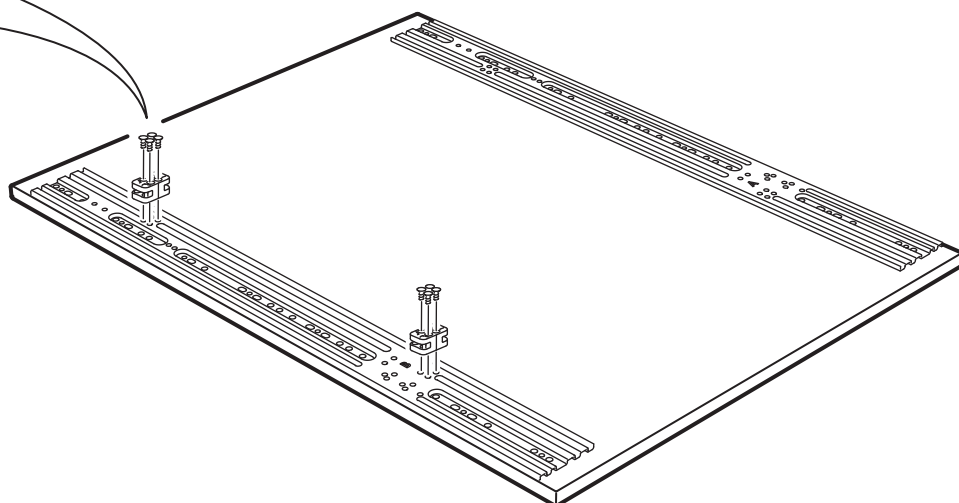
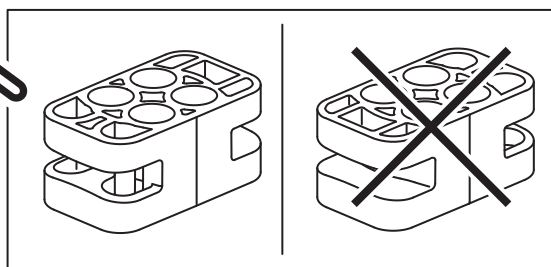
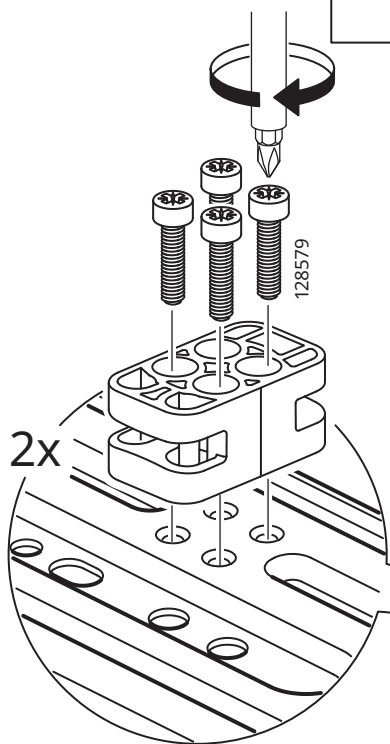
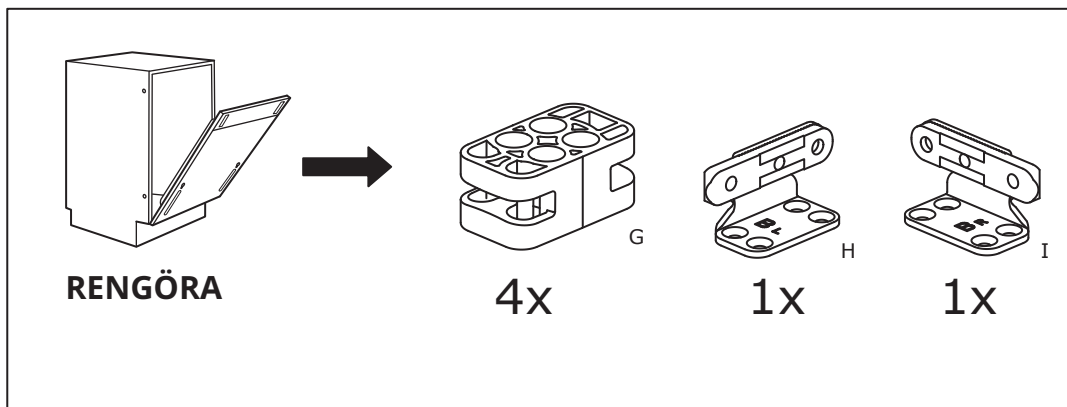


2

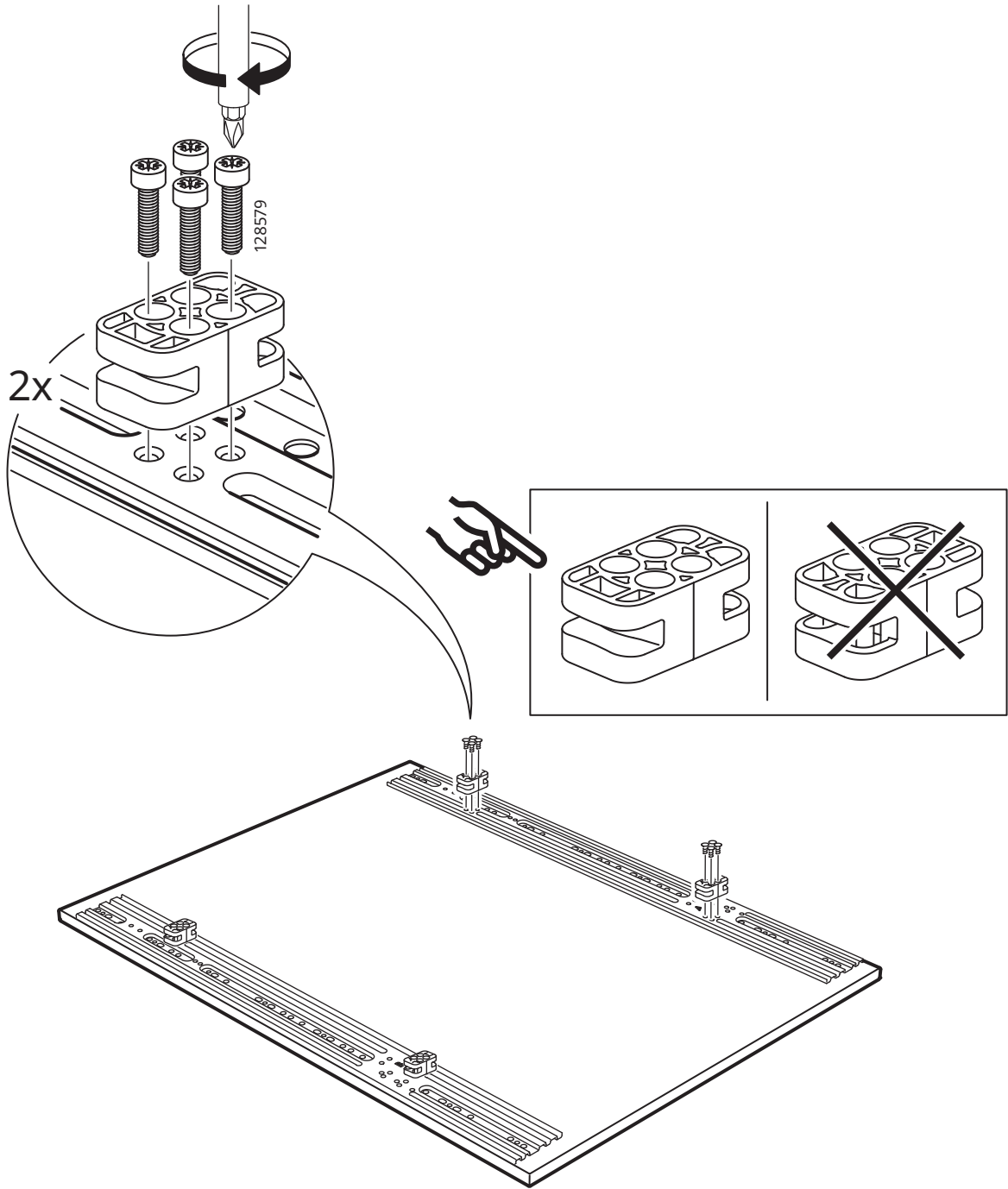




**1**



2



# 3

