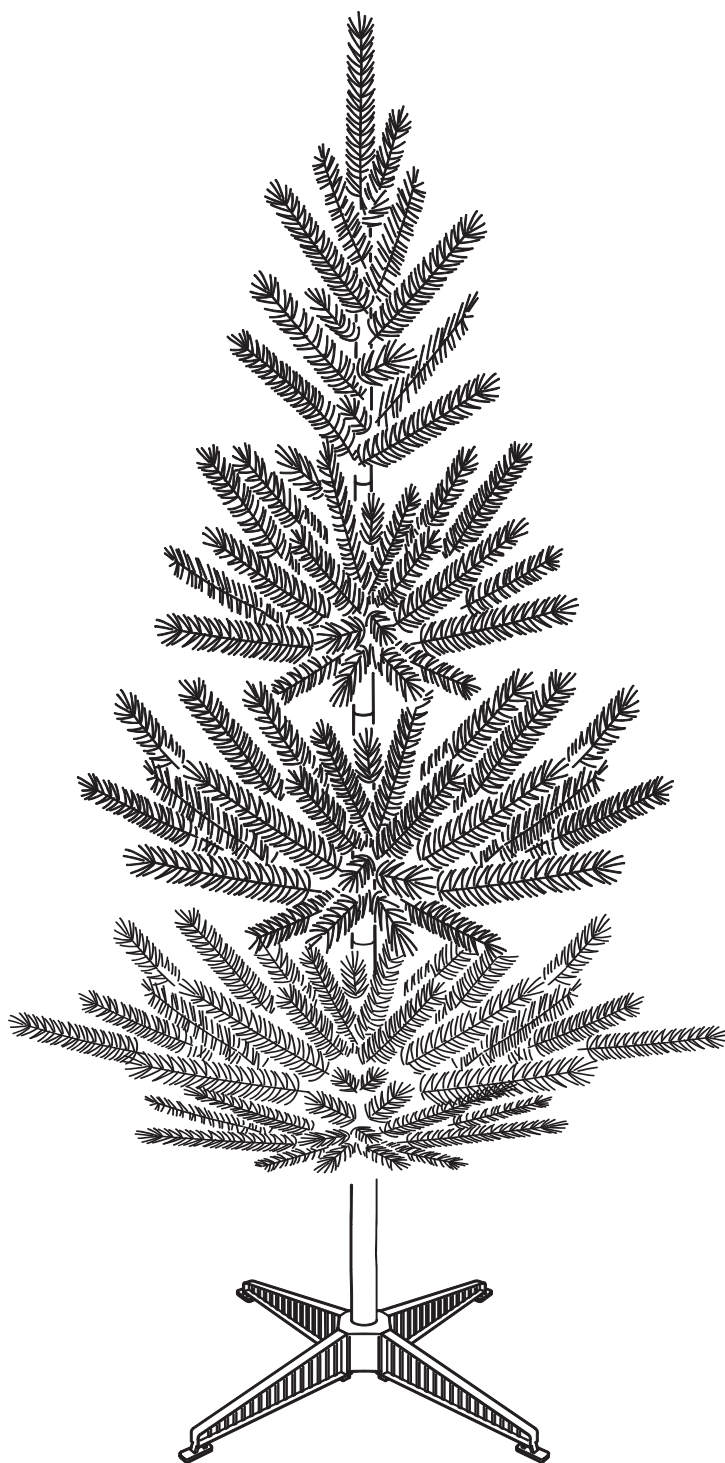
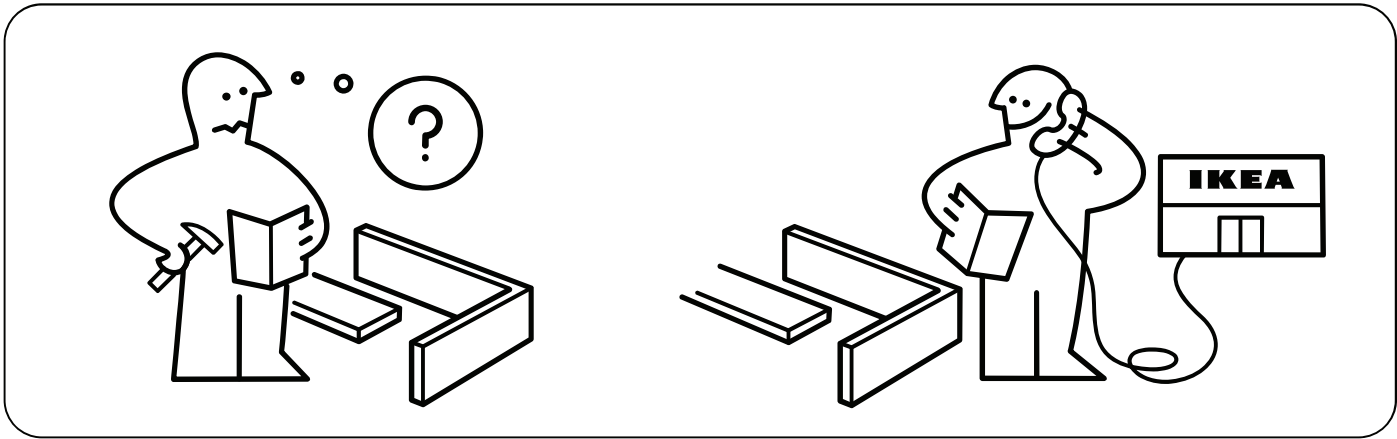


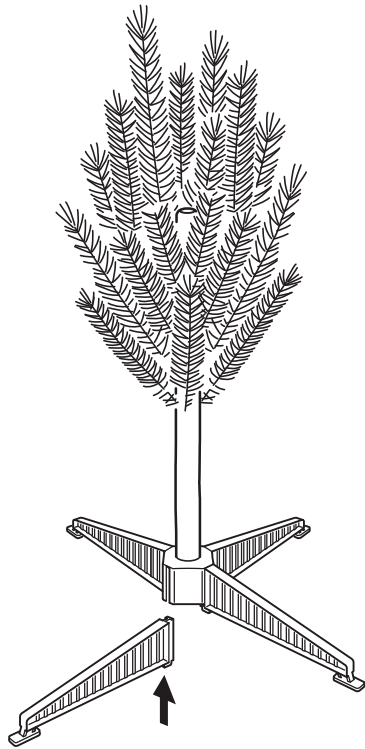
VINTER



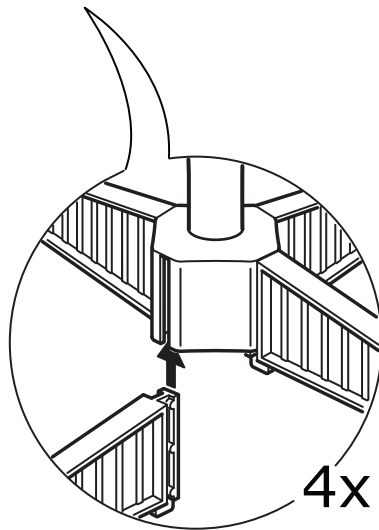
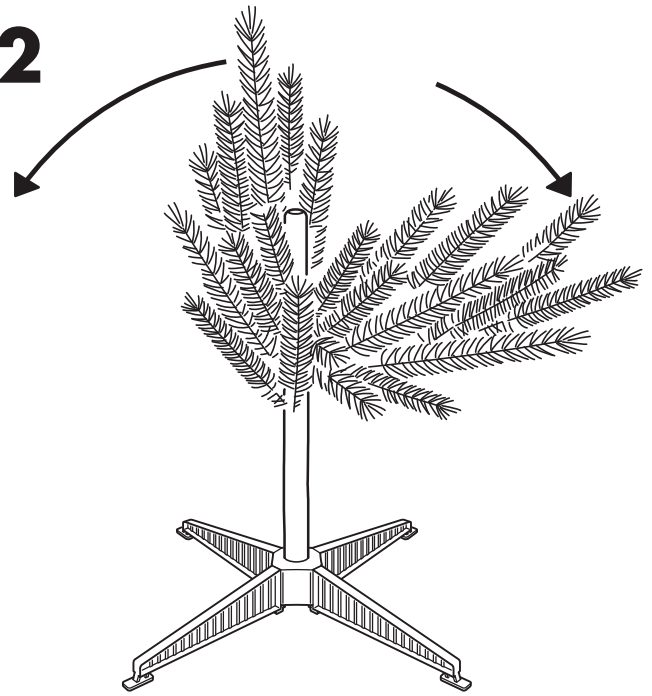
Design and Quality
IKEA of Sweden



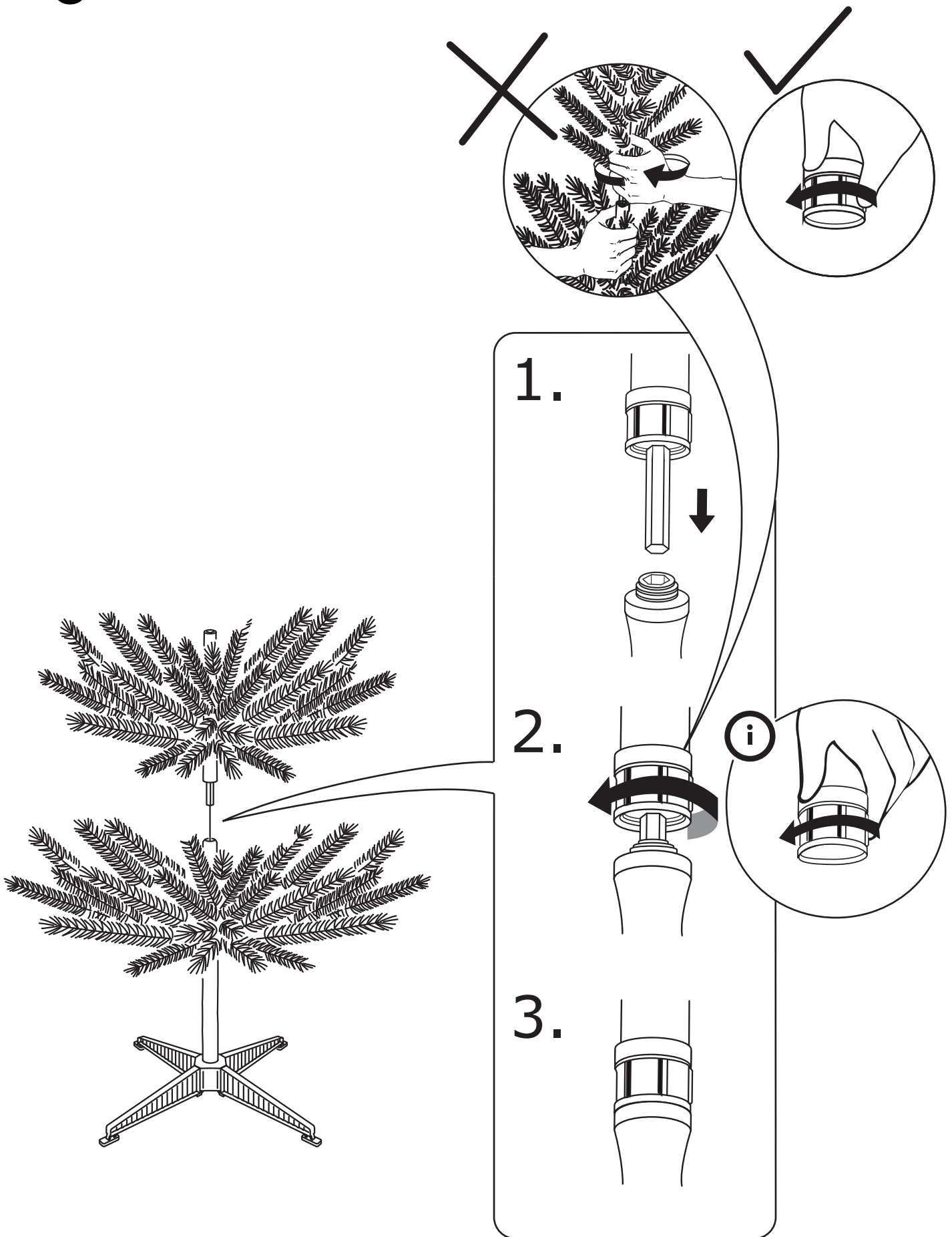
1



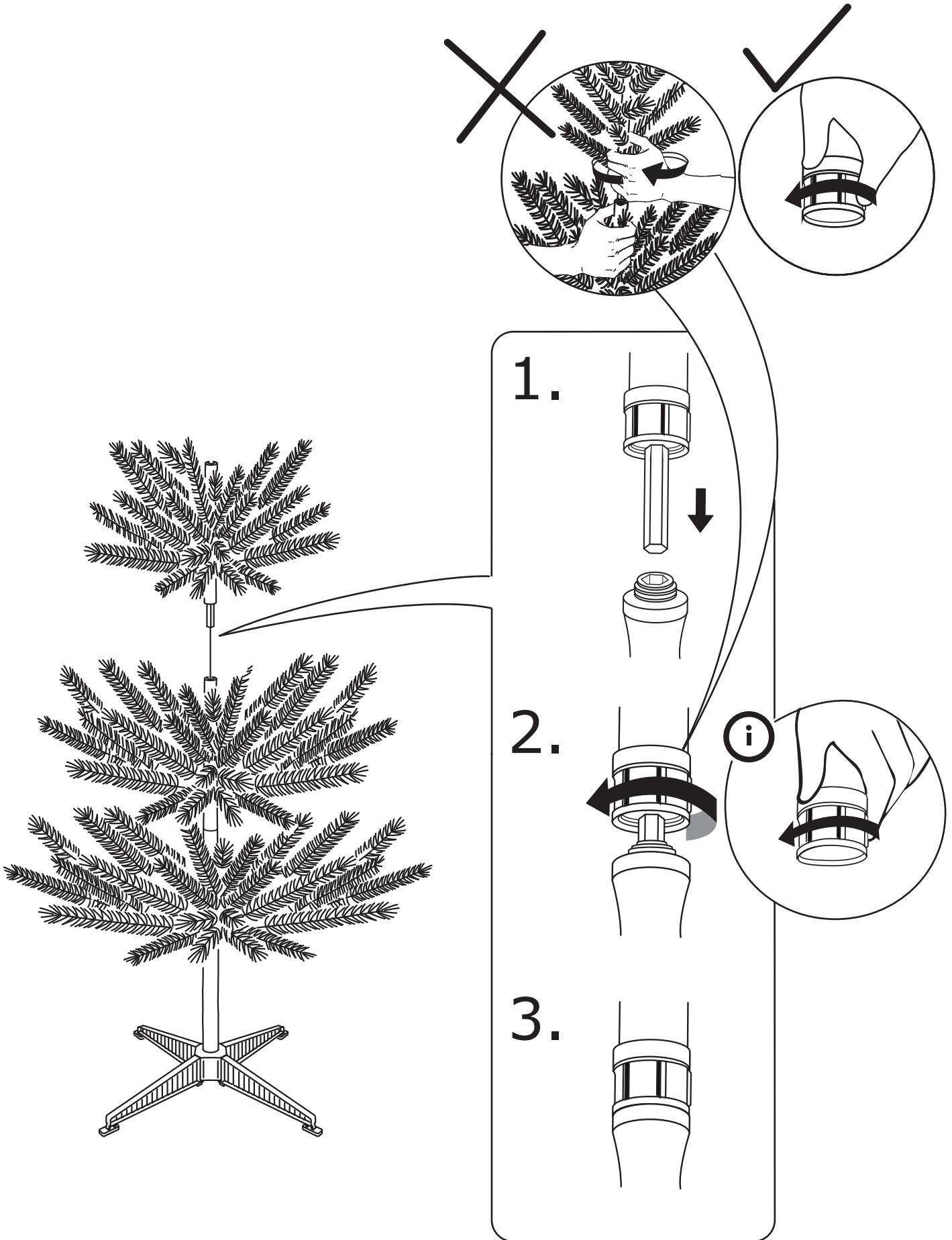
2



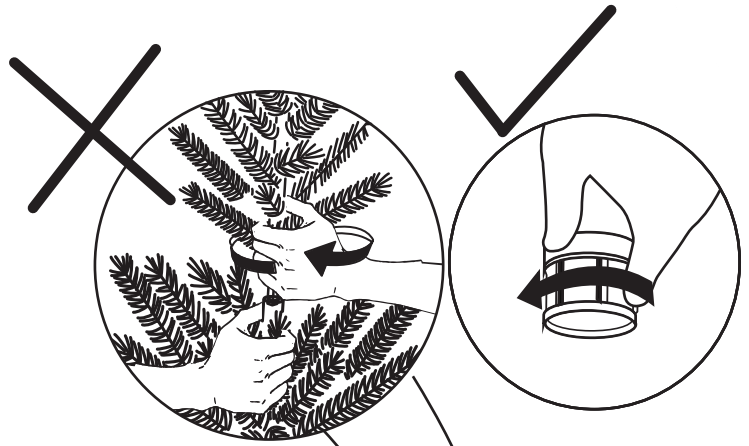
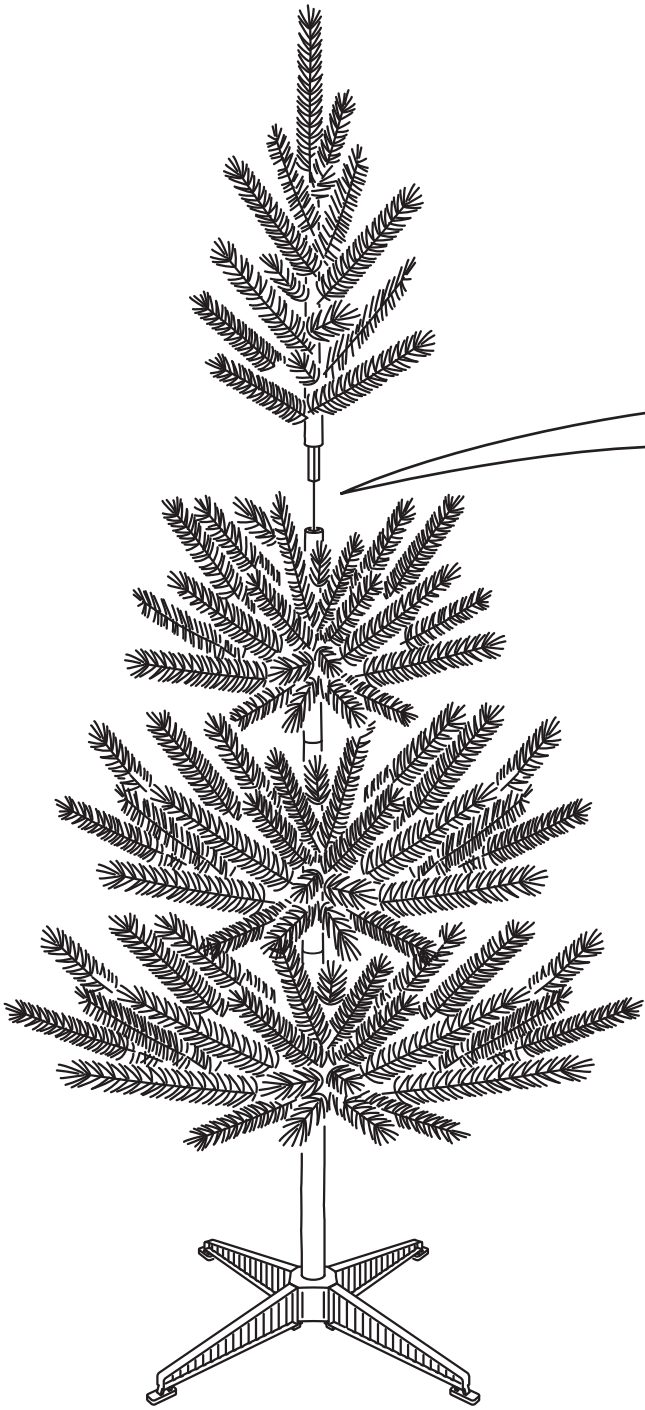
3



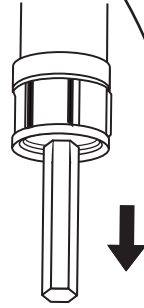
4



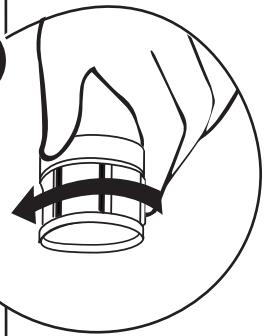
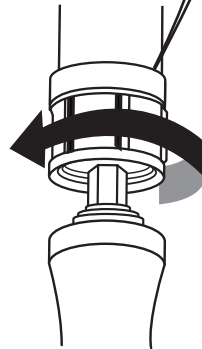
5



1.



2.



3.

