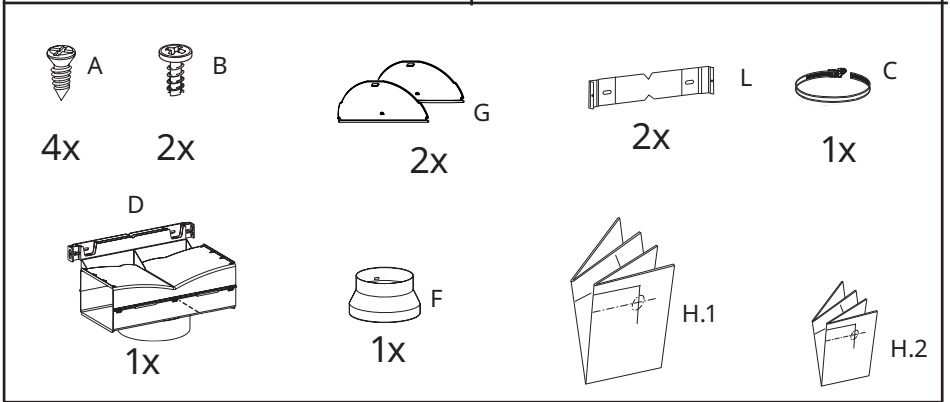
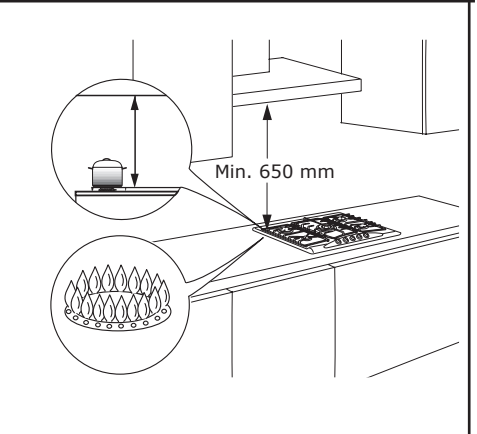
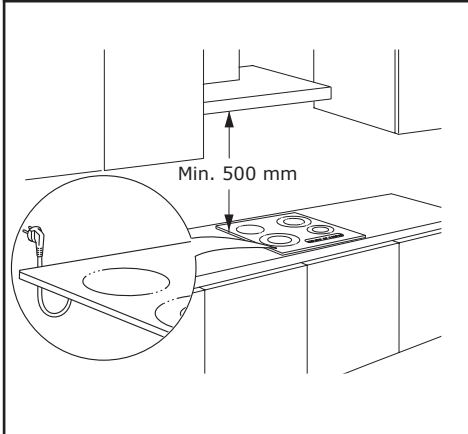
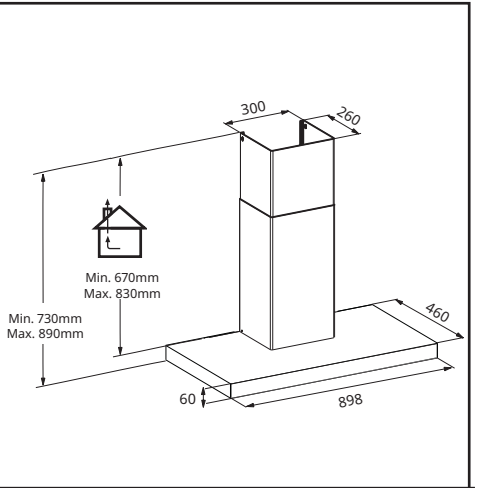
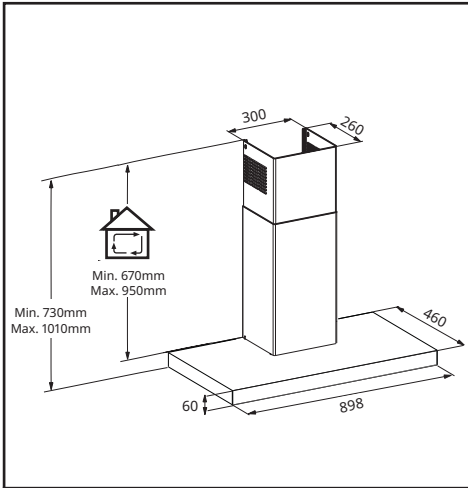


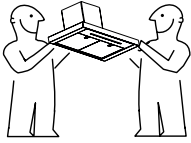
KULINARISK

- en
- de
- fr
- it
- da
- no
- fi
- sv
- is
- pt
- es
- el
- nl
- pl
- tr
- sk
- It
- uk
- cs
- hu
- bg
- ro
- hr
- sl
- sr
- lv
- et
- عربي

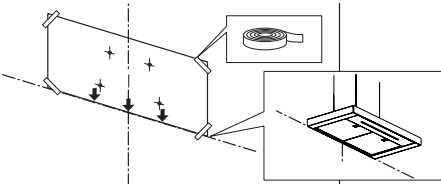


Design and Quality
IKEA of Sweden

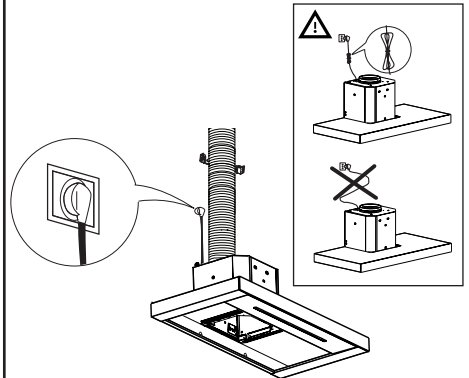
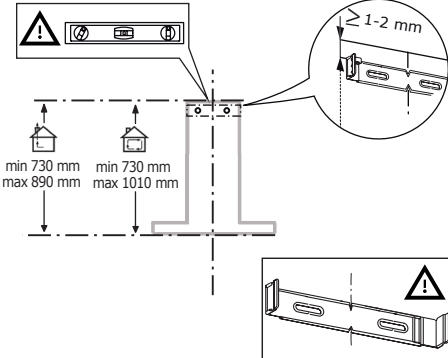
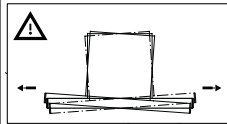
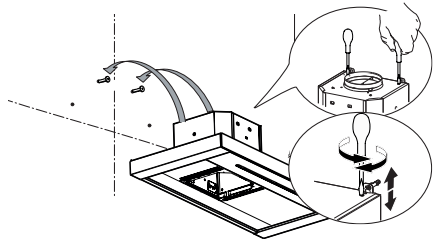
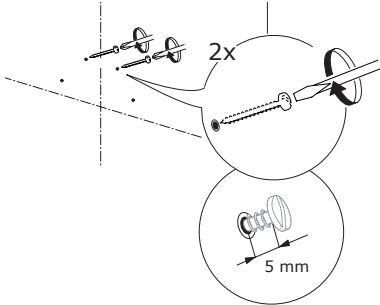
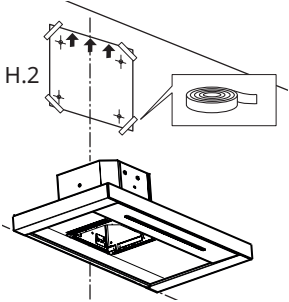


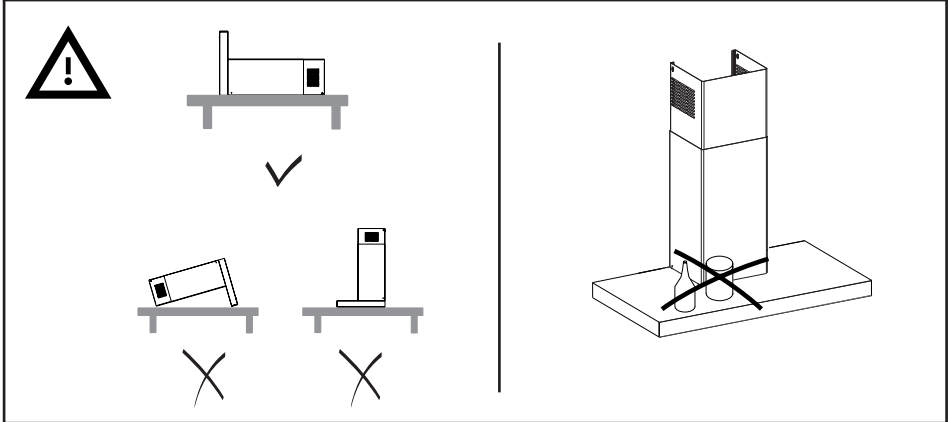
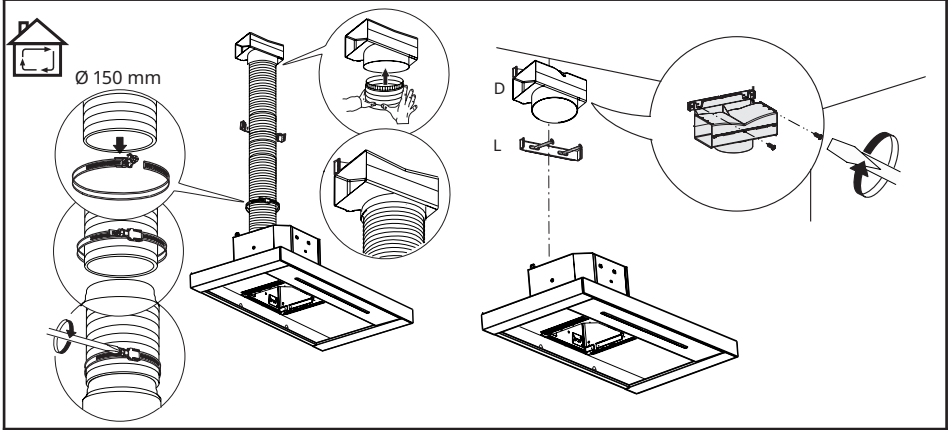
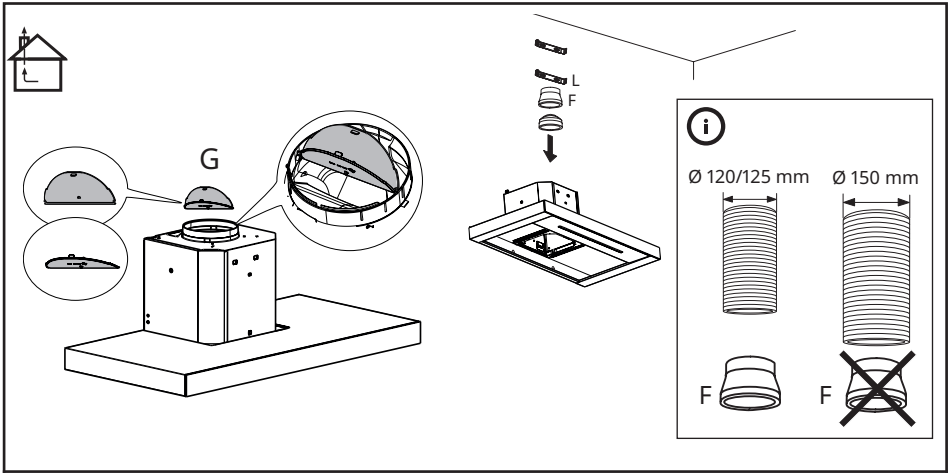


H.1





H.2





| | |
|-------------|---------|
| ENGLISH | 7 |
| DEUTSCH | 14 |
| FRANÇAIS | 21 |
| ITALIANO | 28 |
| DANSK | 35 |
| NORSK | 42 |
| SUOMI | 49 |
| SVENSKA | 46 |
| ÍSLENSKA | 63 |
| PORTUGUÊS | 70 |
| ESPAÑOL | 77 |
| ΕΛΛΗΝΙΚΑ | 84 |
| DUTCH | 91 |
| POLSKI | 98 |
| TÜRKÇE | 105 |
| SLOVENSKÝ | 112 |
| LIETUVIŲ K. | 119 |
| УКРАЇНСЬКА | 126 |
| ČESKY | 133 |
| MAGYAR | 140 |
| БЪЛГАРСКИ | 147 |
| ROMÂNĂ | 154 |
| HRVATSKI | 161 |
| SLOVENSKO | 168 |
| СРПСКИ | 175 |
| LATVIEŠU | 182 |
| EESTI | 189 |
| 200 | العربية |

Safety information


-  For your safety and correct operation of the appliance, read this manual carefully before installation and use. Look carefully at the warning pictures at the beginning of this manual. For a correct and complete installation, refer to the specific installation manual provided with the product. Always keep these instructions with the appliance even if you move or sell it. Users must fully know the operation and safety features of the appliance.
-  The wire connection has to be done by specialized technician.
- The manufacturer will not be held liable for any damages resulting from incorrect or improper installation.
 - The minimum safety distance between the cooker top and the extractor hood is: for electrical hob 500mm and for gas hob 650mm.
 - If the instructions for installation for the gas hob specify a greater distance, this must be respected.
 - Check that the mains voltage corresponds to that indicated on the rating plate fixed to the inside of the hood.
 - Means for disconnection must be incorporated in the fixed wiring in accordance with the wiring rules.
 - For Class I appliances, check that the domestic power supply guarantees adequate earthing.
 - Connect the extractor to the exhaust flue through a pipe of minimum diameter 120 mm. The route of the flue must be as short as possible.
 - Do not connect the extractor hood to exhaust

ducts carrying combustion fumes (boilers, fireplaces, etc.).


- If the extractor is used in conjunction with non-electrical appliances (e.g. gas burning appliances), a sufficient degree of aeration must be guaranteed in the room in order to prevent the backflow of exhaust gas. When the cooker hood is used in conjunction with appliances supplied with energy other than electric, the negative pressure in the room must not exceed 0,04 mbar to prevent fumes being drawn back into the room by the cooker hood.
- The air must not be discharged into a flue that is used for exhausting fumes from appliances burning gas or other fuels.
- If the supply cord is damaged, it must be replaced from the manufacturer or its service agent.
- Connect the plug to a

socket complying with current regulations, located in an accessible place.

- With regards to the technical and safety measures to be adopted for fume discharging it is important to closely follow the regulations provided by the local authorities.

 **WARNING:** Before installing the Hood, remove the protective films.

- Use only screws and small parts in support of the hood.

 **WARNING:** Failure to install the screws or fixing device in accordance with these instructions may result in electrical hazards.

- Connect the hood to the power net by using a bipolar switch having a contact gap of at least 3 mm.
- Do not look directly at the light through optical devices (binoculars,

- magnifying glasses...).
- Do not flambè under the range hood; risk of fire.
 - This appliance can be used by children aged from 8 years and above and persons with reduced physical, sensory or mental capabilities or lack of experience and knowledge if they have been given supervision or instruction concerning use of the appliance in a safe way and understand the hazards involved. Children shall not play with the appliance. Cleaning and user maintenance shall not be made by children without supervision.
 - Children should be supervised to ensure that they do not play with the appliance.
 - The appliance is not to be used by persons (including children) with reduced physical, sensory or mental capabilities, or lack of experience and knowledge, unless they have been given

supervision or instruction





Accessible parts may become hot when used with cooking appliances.

- Clean and/or replace the Filters after the specified time period (Fire hazard).
- There shall be adequate ventilation of the room when the range hood is used at the same time as appliances burning gas or other fuels (not applicable to appliances that only discharge the air back into the room)

Installation


Installation modes

The hood has been designed to be installed and used either as a "Exhaust mode", or  "recirculation mode".

Exhaust mode (see symbol  in installation booklet)

Cooking steam is sucked and channelled outside the house through a discharge duct (not supplied), fitted to the hood steam outlet.

Ensure that the discharge duct is correctly fitted to the air outlet, unit using an appropriate connection system.

Recirculation mode (see symbol  in installation booklet)

The air is filtered through one or more the charcoal filters, and then resent into room.

Important: Ensure appropriate air circulation around the hood.

Important: If the hood is supplied without charcoal filters and installed on recirculation mode, these must be fitted before the hood can be used. Filters are available in shops.

The hood should be installed away from particularly dirty areas, windows, doors and heat sources.

The accessories for wall fixing are not included because wall made of different materials require different types of fixing accessories. Use fixing systems suitable for the walls of your home and the weight of the appliance. For more details, contact a specialized dealer.

Keep this booklet for future consultation.

Environmental aspects

Information on disposal

Your obligations as an end-user



This electrical or electronic equipment is marked with a crossed-out wheeled bin. The equipment may therefore only be collected and returned separately from unsorted municipal waste, i.e. it must not be disposed of with household waste. The equipment can be returned, for example, to a municipal collection point or, if applicable, to a distributor (see below for their take-back obligations in Germany). This also applies to all components, sub-assemblies and consumables of the old equipment to be disposed of.

Before the old equipment may be disposed of all old batteries and old accumulators that are not enclosed by the old equipment must be separated from the old equipment. The same applies to lamps that can be removed from the old equipment without destroying them. The end-user is also responsible for deleting personal data from the old equipment.

Notes on recycling



Help recycle all materials marked with this symbol. Do not dispose of such materials, especially packaging, in the household waste but via the relevant containers provided or the appropriate local collection systems.

Help to protect the environment and human health by recycling including waste of electrical and electronic appliances.

The following additional information applies in Germany

Take-back obligations of distributors

Anyone who sells electrical and electronic equipment on a sales floor area of at least 400 m² or otherwise supplies it to end users on a commercial basis is obliged, when supplying

a new equipment, to take back at the place of supply or in the immediate vicinity thereof free of charge an old equipment belonging to the end user of the same type of equipment which fulfils essentially the same functions as the new equipment. This also applies to distributors of groceries with a total sales area of at least 800 m² who offer electrical and electronic equipment several times a calendar year or on a permanent basis and make it available on the market. In addition, such distributors must, at the request of the end-user, take back in the retail shop or in the immediate vicinity free of charge old equipment that does not exceed 25 cm in any external dimension (small electrical equipment) thereof; in this case, take-back may not be linked to the purchase of an electrical or electronic equipment but may be limited to three old equipment per type of equipment.

The place of delivery is also the private household if the new electrical or electronic equipment is delivered; in this case the collection of the old equipment is free of charge for the end user. The above obligations also apply to distribution using means of distance communication if the distributors maintain storage and dispatch areas for electrical and electronic equipment or total storage and dispatch areas for groceries that correspond to the sales areas mentioned above. However, the free collection of electrical and electronic equipment is then restricted to heat transmitters (e.g. refrigerators), screens, monitors and equipment containing screens with a surface area of more than 100 cm² and equipment where at least one of the external dimensions is more than 50 cm. For all other electrical and electronic equipment the distributor must ensure appropriate return facilities within a reasonable distance from the respective end-user; this also applies to small electrical equipment (see above) that the end-user wishes to return without purchasing a new equipment.

Care and cleaning

Use

- Switch off or unplug the appliance from the mains supply before carrying out any maintenance work.
- The top of the hood must not be used as a shelf.
- The extractor hood has been designed exclusively for domestic use to eliminate kitchen smells.
- Never use the hood for purposes other than for which it has been designed.
- Never leave high naked flames under the hood when it is in operation.
- Adjust the flame intensity to direct it onto the bottom of the pan only, making sure that it does not engulf the sides.
- Deep fat fryers must be continuously monitored during use: overheated oil can burst into flames.

Care and cleaning

- Grease filters must be cleaned every 2 months of operation, or more frequently for particularly heavy usage, in order to avoid a potential fire hazard, and can be washed in a dishwasher.
- Clean the hood using a damp cloth and a neutral liquid detergent.

Care and cleaning long life Charcoal filter (Green)

- The anti-odour Filter can be washed and regenerated every 3-4 months (or more frequently if the hood is subject to intensive use), up to a Max. of 8 regeneration cycles (in case of particularly intensive use it is recommended that you do not exceed 5 cycles).

Regeneration procedure:

- Wash in the dishwasher at a MAX temperature of 70° or hand wash in hot water without using abrasive sponges (do not use detergents!).
- Dry in the oven at a MAX temperature of 70° for 2 hours (it is recommended to read carefully the user manual and the assembly instruction of the oven of your own).


Replacing the lamps


For Replacement please contact an Authorized Service Center.

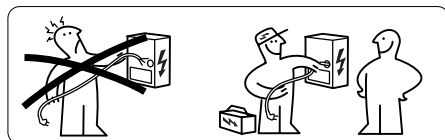
Manufacturer

Ikea of Sweden AB - SE - 343 81 Älmhult, Sweden

Electrical connection

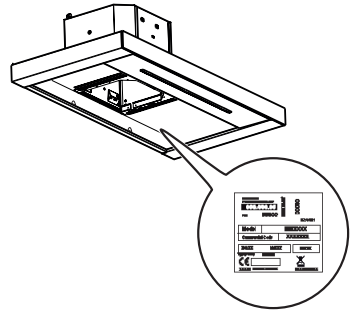
-  **WARNING:** All electrical connections must be carried out by an authorised installer.
- Before making the connections, check that the rated voltage of the appliance indicated on the respective rating plate corresponds to the power supply voltage.

 **Caution!** Do not weld any of the cables!



Rating plate

The technical information is situated in the rating plate on the internal side of the appliance.



IKEA GUARANTEE

How long is the IKEA guarantee valid?

This guarantee is valid for five (5) years from the original date of purchase of Your appliance at IKEA. The original sales receipt is required as proof of purchase. If service work is carried out under guarantee, this will not extend the guarantee period for the appliance.

Who will execute the service?

IKEA service provider will provide the service through its own service operations or authorized service partner network.

What does this guarantee cover?

The guarantee covers faults of the appliance, which have been caused by faulty construction or material faults from the date of purchase from IKEA. This guarantee applies to domestic use only. The exceptions are specified under the headline "What is not covered under this guarantee?" Within the guarantee period, the costs to remedy the fault e.g. repairs, parts, labour and travel will be covered, provided that the appliance is accessible for repair without special expenditure. On these conditions the EU guidelines (Nr. 99/44/EG) and the respective local regulations are applicable. Replaced parts become the property of IKEA.

What will IKEA do to correct the problem?

IKEA appointed service provider will examine the product and decide, at its sole discretion, if it is covered under this guarantee. If considered covered, IKEA service provider or its authorized service partner through its own service opera-

tions, will then, at its sole discretion, either repair the defective product or replace it with the same or a comparable product.

What is not covered under this guarantee?

- Normal wear and tear.
- Deliberate or negligent damage, damage caused by failure to observe operating instructions, incorrect installation or by connection to the wrong voltage, damage caused by chemical or electro-chemical reaction, rust, corrosion or water damage including but not limited to damage caused by excessive lime in the water supply, damage caused by abnormal environmental conditions.
- Consumable parts including batteries and lamps.
- Non-functional and decorative parts which do not affect normal use of the appliance, including any scratches and possible color differences.
- Accidental damage caused by foreign objects or substances and cleaning or unblocking of filters, drainage systems or soap drawers.
- Damage to the following parts: ceramic glass, accessories, crockery and cutlery baskets, feed and drainage pipes, seals, lamps and lamp covers, screens, knobs, casings and parts of casings. Unless such damages can be proved to have been caused by production faults.
- Cases where no fault could be found during a technician's visit.
- Repairs not carried out by our appointed

service providers and/or an authorized service contractual partner or where non-original parts have been used.

- Repairs caused by installation which is faulty or not according to specification.
- The use of the appliance in a non-domestic environment i.e. professional use.
- Transportation damages. If a customer transports the product to their home or other address, IKEA is not liable for any damage that may occur during transport. However, if IKEA delivers the product to the customer's delivery address, then damage to the product that occurs during this delivery will be covered by this guarantee.
- Cost for carrying out the initial installation of the IKEA appliance. However, if an IKEA service provider or its authorized service partner repairs or replaces the appliance under the terms of this guarantee, the service provider or its authorized service partner will re-install the repaired appliance or install the replacement, if necessary.

This restriction do not apply to fault-free work carried out by a qualified specialist using our original parts in order to adapt the appliance to the technical safety specifications of another EU country.

How country law applies

The IKEA guarantee gives You specific legal rights, which covers or exceed local demands. However these conditions do not limit in any way consumer rights described in the local legislation

Area of validity

For appliances which are purchased in one EU country and taken to another EU country, the services will be provided in the framework of the guarantee conditions normal in the new country. An obligation to carry out services in the framework of the guarantee exists only if the appliance complies and is installed in accordance with:

- the technical specifications of the country in which the guarantee claim is made;
- the Assembly Instructions and User Manual Safety Information;

The dedicated After Sales Service for IKEA appliances:

Please do not hesitate to contact IKEA After Sales Service to:

1. make a service request under this guarantee;
2. ask for clarification on installation of the IKEA appliance in the dedicated IKEA kitchen furniture. The service won't provide clarifications related to:
 - the overall IKEA kitchen installation;
 - connections to electricity (if machine comes without plug and cable), to water and to gas since they have to be executed by an authorized service engineer.
3. ask for clarification on user manual contents and specifications of the IKEA appliance.

To ensure that we provide you with the best assistance, please read carefully the Assembly Instructions and/or the User Manual section of this booklet before contacting us.

How to reach us if You need our service



Please refer to the last page of this manual for the full list of IKEA appointed contacts and relative national phone numbers.

Important! In order to provide You with a quicker service, we recommend that You use the specific phone numbers listed at the end of this manual. Always refer to the numbers listed in the booklet of the specific appliance You need an assistance for. Before calling us, assure that You have to hand the IKEA article number (8 digit code) for the appliance of which you need our assistance.


Important! SAVE THE SALES RECEIPT! It is Your proof of purchase and required for the guarantee to apply. Note that the receipt reports also the IKEA article name and number (8 digit code) for each of the appliances you have purchased.

Do You need extra help?

For any additional questions not related to After Sales of your appliances. Please contact our nearest IKEA store call centre. We recommend you read the appliance documentation carefully before contacting us.

Sicherheitsinformationen

 Zu Ihrer eigenen Sicherheit und für die korrekte Funktion des Gerätes lesen Sie bitte diese Betriebsanleitung aufmerksam durch, bevor Sie das Gerät installieren und benutzen. Schauen Sie sich die Warnbilder am Anfang dieses Handbuchs genau an. Für eine korrekte und vollständige Installation siehe entsprechendes mit dem Produkt mitgeliefertes Installationshandbuch. Verwahren Sie die Bedienungsanleitung stets zusammen mit dem Gerät, auch wenn Sie dieses an Dritte weitergeben oder übertragen. Es ist wichtig, dass der Benutzer alle Betriebs- und Sicherheitsmerkmale des Gerätes kennt.

 Die Kabel müssen von einem zuständigen Fachmann angeschlossen werden.

• Der Hersteller haftet nicht für etwaige Schäden, die durch eine fehlerhafte

Installation oder einen ungeeigneten Gebrauch entstehen könnten.

- Der Mindestsicherheitsabstand zwischen Kochfeld und Dunstabzugshaube beträgt: bei Elektrokochfeldern 500mm und bei Gaskochfeldern 650mm.
- Sollten die Installationsanweisungen des gasbetriebenen Kochfelds einen größeren Abstand als oben angegeben, vorsehen, ist dies zu berücksichtigen.
- Sicherstellen, dass die Netzspannung der auf dem Typenschild angegebenen Spannung entspricht. Das Typenschild ist im Inneren der Haube angebracht.
- Trennvorrichtungen müssen in der festen Anlage gemäß Normen über Verkabelungssysteme installiert werden.
- Für Geräte der Klasse I sicherstellen, dass das Versorgungsnetz des Gebäudes korrekt geerdet ist.
- Die Abzugshaube an den Schornstein mit einem

Rohr mit Mindestdurchmesser von 120 mm anschließen. Der Verlauf des Rauchabzugs muss so kurz wie möglich sein.

- Die Abzugshaube darf nicht an einen Schacht angeschlossen werden, in den Rauchgase abgeleitet werden (z. B. von Heizkesseln, Kaminen, usw.).
- Falls die Abzugshaube mit Geräten verwendet wird, die nicht elektrisch betrieben sind (z.B. Gasgeräte), muss im Raum für eine ausreichende Belüftung gesorgt werden, damit der Rückfluss der Abgase verhindert wird. Wird die Abzugshaube zusammen mit nicht elektrisch betriebenen Geräten eingesetzt, darf der Unterdruck im Raum 0,04 mbar nicht überschreiten, damit die Abgase nicht wieder angesaugt werden.
- Die Luft darf nicht durch einen Kanal abgelassen werden, der als Rauchabzug für Gasgeräte oder Geräte verwendet wird, die mit anderen Brennstoffen betrieben werden.
- Wenn das Gerätekabel beschädigt ist, muss es vom Hersteller oder von einem Kundendiensttechniker ersetzt werden.
- Den Stecker in eine den einschlägigen Vorschriften entsprechende zugängliche Steckdose stecken.
- Was die technischen und sicherheitsrelevanten Maßnahmen für den Rauchabzug betrifft, sind die Vorgaben der örtlichen Behörden streng einzuhalten.



HINWEIS: Bevor die Haube installiert wird, die Schutzfolien abziehen.

- Nur für die Abzugshaube geeignete Schrauben und Kleinteile verwenden.



HINWEIS: Die mangelnde Verwendung von Schrauben und Befestigungselementen gemäß der vorliegenden Anleitung kann zu Stromschlaggefahr führen.

- Die Haube an das Stromnetz mithilfe eines zweipoligen Schalters mit einem

Kontaktabstand von mindestens 3 mm anschließen.

- Nicht direkt mit optischen Instrumenten (Fernglas, Lupe, usw.) in das Licht schauen.
- Auf keinen Fall unter der Haube flambieren: Dabei könnte ein Brand entstehen.
- Dieses Gerät darf von Kindern ab 8 Jahren und von Personen mit beschränkten geistigen, physischen oder sensorischen Fähigkeiten oder mangels Erfahrung und/oder mangels Wissen benutzt werden, vorausgesetzt, sie werden aufmerksam beaufsichtigt oder über den sicheren Gebrauch des Geräts und die damit verbundenen Gefahren eingewiesen. Sicherstellen, dass Kinder nicht mit dem Gerät spielen. Vom Benutzer auszuführende Reinigungs- und Wartungsarbeiten dürfen nicht von Kindern ausgeführt werden, sofern sie nicht dabei beaufsichtigt werden.
- Kinder müssen beaufsich-

tigt werden, damit sichergestellt wird, dass sie nicht am Gerät spielen.

- Dieses Gerät darf nicht von Personen (einschließlich Kindern) mit beschränkten geistigen, physischen oder sensorischen Fähigkeiten oder mangels Erfahrung und/oder mangels Wissen benutzt werden, außer sie werden aufmerksam beaufsichtigt und eingewiesen



Die frei zugänglichen Teile können während des Kochens mit Kochgeräten sehr heiß werden.

- Die Filter sind nach den angegebenen Intervallen zu reinigen und/oder zu ersetzen (Brandgefahr).
- Wenn die Abzugshaube gleichzeitig mit Geräten verwendet wird, die Gas oder andere Brennstoffe benutzen, muss im Raum eine ausreichende Belüftung vorhanden sein (gilt nicht für Geräte, die nur Luft in den Raum ablassen)

Installation

Installationsanleitung

Die Abzugshaube ist für „Abluftbetrieb“ oder „Umluftbetrieb“ entwickelt worden.

Abluftbetrieb (siehe das Symbol in der Installationsanleitung)

Die Kochdämpfe werden abgesaugt und über ein am Auslass der Haube installiertes Abzugsrohr (nicht mitgeliefert) nach außen geleitet.

Sicherstellen, dass das Abzugsrohr richtig am Luftauslass installiert ist und ein geeignetes Anschlusssystem verwendet wurde.

Umluftbetrieb (siehe das Symbol in der Installationsanleitung)

Die Luft wird durch einen oder mehrere Aktivkohlefilter gefiltert und dann wieder in den Raum zurück gefördert.

Wichtig: Sicherstellen, dass die Luft um die Haube herum richtig zirkuliert.

Wichtig: Wenn die Haube ohne Aktivkohlefilter geliefert wurde, müssen die Filter bestellt und vor der Inbetriebnahme des Gerätes montiert werden. Die Filter sind im Handel erhältlich.

Die Abzugshaube muss fern von stark verschmutzten Bereichen, Fenstern, Türen und Wärmequellen installiert werden.

Die Befestigungselemente sind nicht in der Lieferung enthalten, weil sie je nach Beschaffenheit der Wand variieren. Verwenden Sie für die Wände Ihrer Wohnung und das Gewicht des Gerätes geeignete Befestigungssysteme. Für weitere Informationen wenden Sie sich an einen Fachhändler.

Die vorliegende Bedienungsanleitung für späteres Nachschlagen sorgfältig aufbewahren.

Umweltaspekte

Informationen zur Entsorgung

Ihre Pflichten als Endnutzer



Dieses Elektro- bzw. Elektronikgerät ist mit einer durchgestrichenen Abfalltonne auf Rädern gekennzeichnet.

Das Gerät darf deshalb nur getrennt vom unsortierten Siedlungsabfall gesammelt und zu-rückgenommen werden, es darf also nicht in den Hausmüll gegeben werden. Das Gerät kann z. B. bei einer kommunalen Sammelstelle oder ggf. bei einem Vertreter (siehe zu deren Rücknahmepflichten in Deutschland unten) abgegeben werden. Das gilt auch für alle Bauteile, Unterbaugruppen und Ver-brauchsmaterialien des zu entsorgenden Altgeräts.

Bevor das Altgerät entsorgt werden darf, müssen alle Altbatterien und Alttakkumulatoren vom Altgerät getrennt werden, die nicht vom Altgerät umschlossen sind. Das gleiche gilt für Lampen, die zerstö-rungsfrei aus dem Altgerät entnommen werden können. Der Endnutzer ist zudem selbst dafür verant-wortlich, personenbezogene Daten auf dem Altgerät zu löschen.

Hinweise zum Recycling



Helfen Sie mit, alle Materialien zu recyceln, die mit diesem Symbol gekennzeichnet sind. Entsorgen Sie solche Materialien, insbesondere Verpackungen, nicht im Hausmüll sondern über die bereitge-stellten Recyclingbehälter oder die entsprechenden örtlichen Sammelsysteme.

Recyceln Sie zum Umwelt- und Gesundheitsschutz auch elektrische und elektronische Geräte.

Folgende Hinweise gelten ergänzend in Deutschland

Rücknahmepflichten der Vertreter

Wer auf mindestens 400 m² Verkaufsfäche Elektro- und Elektronikgeräte vertreibt oder sonst ge-schäftlich an Endnutzer

abgibt, ist verpflichtet, bei Abgabe eines neuen Gerätes ein Altgerät des End-nutzers der gleichen Geräteart, das im Wesentlichen die gleichen Funktionen wie das neue Gerät er-füllt, am Ort der Abgabe oder in unmittelbarer Nähe hierzu unentgeltlich zurückzunehmen. Das gilt auch für Vertreter von Lebensmitteln mit einer Gesamtverkaufsfäche von mindestens 800 m², die mehrmals im Kalenderjahr oder dauerhaft Elektro- und Elektronikgeräte anbieten und auf dem Markt bereitstellen. Solche Vertreter müssen zudem auf Verlangen des Endnutzers Altgeräte, die in keiner äußeren Abmessung größer als 25 cm sind (kleine Elektrogeräte), im Einzelhandels-geschäft oder in unmittelbarer Nähe hierzu unentgeltlich zurückzunehmen; die Rücknahme darf in diesem Fall nicht an den Kauf eines Elektro- oder Elektronikgerätes geknüpft, kann aber auf drei Altgeräte pro Geräteart beschränkt werden. Ort der Abgabe ist auch der private Haushalt, wenn das neue Elektro- oder Elektronikgerät dorthin geliefert wird; in diesem Fall ist die Abholung des Altgerätes für den Endnutzer kostenlos.

Die vorstehenden Pflichten gelten auch für den Vertrieb unter Verwendung von Fernkommunikations-mitteln, wenn die Vertreter Lager- und Versandflächen für Elektro- und Elektronikgeräte bzw. Gesamt-lager- und -versandflächen für Lebensmittel vorhalten, die den oben genannten Verkaufsfächen ent-sprechen. Die unentgeltliche Abholung von Elektro- und Elektronikgeräten ist dann aber auf Wärme-überträger (z. B. Kühlschrank), Bildschirme, Monitore und Geräte, die Bildschirme mit einer Oberfläche von mehr als 100 cm² enthalten, und Geräte beschränkt, bei denen mindestens eine der äußeren Ab-messungen mehr als 50 cm beträgt. Für alle übrigen Elektro- und Elektronikgeräte muss der Vertreter geeignete Rückgabemöglichkeiten in zumutbarer Entfernung zum jeweiligen Endnutzer gewährleisten; das gilt auch für kleine Elektrogeräte (s.o.), die der Endnutzer zurückgeben will, ohne ein neues Gerät zu kaufen.

Reinigung und Wartung

Gebrauch

- Vor Reinigungs- oder Wartungsarbeiten am Gerät muss dieses ausgeschaltet und spannungslos gemacht werden.
- Keine Gegenstände auf der Abzugshaube abstellen.
- Die Abzugshaube wurde ausschließlich dazu entwickelt, um im Haushalt Küchendünste zu beseitigen.
- Die Haube niemals für andere Zwecke verwenden, als die für welche sie entwickelt worden ist.
- Unter der eingeschalteten Haube keine offenen hohen Flammen benutzen.
- Die Flamme so regulieren, dass sie nicht über den Umfang des Kochgeschirrs hinausragt.
- Fritteusen müssen während des Gebrauchs ständig überwacht werden: überhitztes Öl könnte sich entzünden.

Reinigung und Wartung

- Fettfilter müssen alle 2 Betriebsmonate, bei besonders starker Beanspruchung auch häufiger, gereinigt werden, um eine mögliche Brandgefahr zu vermeiden, und können in der Spülmaschine gereinigt werden.
- Die Haube mit einem feuchten Lappen und einem neutralen Putzmittel reinigen.

Reinigung und Wartung des langlebigen Aktivkohlefilters (grün)

- Der Geruchsfilter kann alle 3-4 Monate (oder bei intensivem Gebrauch häufiger) gewaschen und bis maximal 8 Mal regeneriert werden (bei besonders intensivem Gebrauch, empfehlen wir den Filter nicht mehr als 5 Mal zu regenerieren).

Regenerierungsprozedur:

- In der Spülmaschine bei max. 70° oder von Hand mit warmem Wasser waschen, ohne scheuernde Schwämme zu benutzen (keine Waschmittel verwenden!).
- Zwei Stunden im Ofen bei einer Temperatur von max. 70° für 2 Stunden trocknen (lesen Sie bitte aufmerksam die Gebrauchs- und Montageanleitung Ihres Ofens).

Auswechseln der Lampen

Zum Auswechseln eine autorisierte Kundendienststelle kontaktieren.

Hersteller

Ikea of Sweden AB - SE - 343 81 Älmhult, Schweden

Elektrischer Anschluss

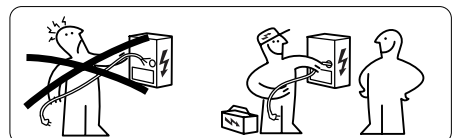


WARNUNG: Alle elektrischen Anschlüsse müssen von einem autorisierten Installateur durchgeführt werden.

- Prüfen Sie vor dem Anschließen, ob die auf dem jeweiligen Typenschild angegebene Nennspannung des Gerätes mit der Netzspannung übereinstimmt.

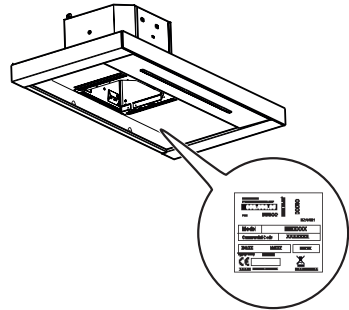


Vorsicht! Keines der Kabel darf verschweißt werden!



Typenschild

Die technischen Daten sind dem Schild im Geräteinnern zu entnehmen.



IKEA GARANTIE

Wie lange gilt die IKEA-Garantie?

Diese Garantie hat eine Gültigkeit von fünf (5) Jahren ab Kaufdatum des Geräts bei IKEA. Der Original-Kassenzettel ist als Kaufbeleg unerlässlich. Eine im Laufe der Garantie durchgeführte Reparatur verlängert die Garantiedauer des Geräts nicht.

Wer übernimmt den Kundendienst?

Der IKEA Kundendienst wird diesen Service über seinen eigenen Kundendienst oder über ein autorisiertes Partner-Netzwerk durchführen lassen.

Was deckt die Garantie ab?

Die Garantie deckt Material- und Produktionsfehler ab. Sie gilt ab dem Datum, an dem das Elektrogerät bei IKEA gekauft wurde. Diese Garantie gilt nur für private Haushalte. Die Ausnahmen sind unter der Rubrik "Was ist nicht durch diese Garantie abgedeckt?" beschrieben. Innerhalb des Garantiezeitraums werden die Kosten zur Behebung eines Fehlers wie Reparaturen, Ersatzteile, Arbeitszeit und Fahrtkosten abgedeckt, vorausgesetzt, dass das Gerät ohne besonderen Kostenaufwand für die Reparatur zugänglich ist und dass der Fehler direkt auf einen Konstruktionsfehler oder einen Materialfehler zurückgeht, der durch die Garantie abgedeckt ist. Bei diesen Bedingungen gelten die EU-Richtlinien (Nr. 99/44/EG) und die entsprechenden gesetzlichen Vorschriften. Teile, die ersetzt wurden, gehen in das Eigentum von IKEA über.

Was wird IKEA zur Lösung des Problems tun?

IKEA hat Kundendienste, die das Produkt untersuchen und eigenständig entscheiden, ob das Problem durch die Garantie abgedeckt ist oder nicht. Wenn entschieden wird, dass der Fall unter die Garantie

fällt, repariert der IKEA Kundendienst oder ein autorisierter Service-Partner über seinen eigenen Service eigenständig das defekte Produkt, oder sie ersetzen es durch ein gleiches oder durch ein gleichwertiges Produkt.

Was ist nicht durch diese Garantie abgedeckt?

- Der normale Verschleiß.
- Bewusste oder durch Fahrlässigkeit entstandene Schäden, die durch eine Missachtung der Bedienungsanweisung, eine unsachgemäße Installation oder durch den Anschluss an eine falsche Spannung, sowie Schäden, die durch eine chemische oder elektrochemische Reaktion - Rost, Korrosion oder Wasserschäden eingeschlossen - aber nicht darauf beschränkt - Schäden, die durch übermäßigen Kalk in der Wasserzuleitung entstanden sind, und Schäden, die durch ungewöhnliche Umweltbedingungen entstanden sind.
- Verbrauchsgüter wie Batterien und Lampen.
- Nicht-funktionale und dekorative Teile, die den normalen Betrieb des Gerätes nicht beeinträchtigen, einschließlich Kratzer und möglicher Farbunterschiede.
- Versehentliche Beschädigung durch Fremdobjekte der Substanzen und Reinigung oder Loslösen von Filtern, Drainagesystemen oder Reinigungsmittel-Schubladen.
- Schäden an folgenden Teilen: Glaskeramik, Zubehör, Geschirr und Besteckkörbe, Zu- und Abflussrohre, Dichtungen, Lampen und Lampenabdeckungen, Blenden, Knöpfe, Gehäuse und Gehäuseteile. Es sei denn, solche Schäden sind nachweislich auf Produktionsfehler zurückzuführen.

- Fälle, in denen bei einem Besuch des Kundendienstes kein Fehler gefunden werden konnte.
- Reparaturen, die nicht durch unser autorisiertes Kundendienstpersonal und/oder das autorisierte Kundendienstpersonal unserer Vertragspartner ausgeführt wurden, oder Fälle, in denen keine Originalteile verwendet wurden.
- Reparaturen, die durch fehlerhafte und nicht gemäß der Anleitung durchgeführte Installation verursacht wurden.
- Die Nutzung des Gerätes in einer professionellen Art und Weise, d.h. nicht im privaten Haushalt.
- Transportschäden. Wenn ein Kunde das Produkt nach Hause oder an eine andere Adresse transportiert, haftet IKEA nicht für Schäden, die während dieses Transports entstehen. Liefert IKEA das Produkt an die Lieferadresse des Kunden aus, dann sind Schäden, die während der Auslieferung des Produktes entstehen, von der Garantie abgedeckt.
- Die Kosten zur Durchführung der Erstinstallation des IKEA Gerätes. Falls der IKEA Kundendienst oder sein autorisierter Service-Partner das Gerät als Garantiefall instandsetzt oder ersetzt, installiert der Kundendienst oder sein autorisierter Service-Partner bei Bedarf das Gerät auch wieder oder er installiert das Ersatzgerät.

Diese Einschränkung gilt nicht für fehlerfreie Arbeiten, die von qualifiziertem Fachpersonal durchgeführt wurden, um das Gerät an den technischen Sicherheitsstandard eines anderen EU-Landes anzupassen.

Wie gilt die geltende Gesetzgebung des Landes

Die IKEA Garantie gibt Ihnen bestimmte gesetzliche Rechte, welche die örtlichen Anforderungen abdecken oder übertreffen. Diese Bedingungen schränken jedoch in keiner Weise die in der örtlichen Gesetzgebung beschriebenen Verbraucherrechte ein

Gültigkeitsbereich

Für Geräte, die in einem EU-Land gekauft und in ein anderes EU-Land mitgenommen werden, stehen die Kundendienstleistungen im Rahmen der Garantiebedingungen bereit, die im neuen Land gültig sind. Eine Verpflichtung, Dienstleistungen im Rahmen der Garantie auszuführen, besteht nur dann, wenn:

- die technischen Spezifikationen des Landes, in dem der Garantieanspruch geltend gemacht wird;
- die Montageanleitung und das Benutzerhandbuch Sicherheitshinweise;

Der spezielle Kundendienst für IKEA Geräte:

Bitte zögern Sie nicht, den speziellen IKEA Kundendienst zu kontaktieren für:

1. einen Anspruch unter dieser Garantie;
2. die Bitte um Klärung von Fragen zur Installation des IKEA Gerätes im speziellen IKEA Küchenmöbel. Der Kundendienst kann keine Fragen beantworten zu:
 - der gesamten IKEA Kücheninstallation;
 - Anschlüsse an die Elektrik (falls das Gerät ohne Netzkabel und Stecker kommt), Anschlüsse an Wasser und Gas, da diese Arbeiten von einem autorisierten Kundendiensttechniker ausgeführt werden müssen.
3. die Bitte um Klärung von Fragen zu Inhalten des Benutzerhandbuchs und zu Spezifikationen des IKEA Geräts.

Um sicherzustellen, dass wir Sie stets optimal unterstützen, lesen Sie bitte die Montageanleitung und/oder den Bedienungsleitungsabschnitt dieser Broschüre durch, bevor Sie sich an uns wenden.

Wie können Sie uns erreichen, wenn Sie uns benötigen



Auf der letzten Seite dieser Broschüre finden Sie eine vollständige Liste mit offiziellen IKEA Kundendienststellen und den jeweiligen nationalen Telefonnummern.

Wichtig! Damit Sie bei Fragen rasch die zuständige Stelle erreichen, empfehlen wir Ihnen, die am Ende dieser Broschüre aufgelisteten speziellen Telefonnummern zu benutzen. Beziehen Sie sich bitte stets auf die Telefonnummern, die in der Broschüre zu dem jeweiligen Gerät aufgelistet sind, zu dem Sie Fragen haben. Bevor Sie uns anrufen, sollten Sie die IKEA-Artikelnummer (den 8-stelligen Zifferncode) Ihres Gerätes zur Hand haben.

Wichtig! BITTE BEWAHREN SIE DEN KAUFBELEG AUF!


Er ist Ihr Kaufnachweis und für einen Garantieanspruch unerlässlich. Bitte beachten Sie, dass auf diesem Kaufbeleg auch die IKEA Artikelbezeichnung und die Nummer (der 8-stellige Zifferncode) für jedes der Geräte, die Sie gekauft haben, vermerkt sind.

Benötigen Sie zusätzlich Hilfe?

Für alle weiteren Fragen, die nicht den Kundendienst Ihrer Geräte betreffen. Wenden Sie sich bitte an das Callcenter des nächstgelegenen IKEA Einrichtungshauses. Wir empfehlen Ihnen, die Dokumentation des Geräts sorgfältig durchzulesen, bevor Sie uns kontaktieren.

Consignes de sécurité

 Pour votre sécurité et pour garantir le fonctionnement correct de l'appareil, veuillez lire attentivement ce manuel avant son installation et sa mise en fonction. Regarder attentivement les images de consigne au début de ce manuel. Pour une installation correcte et complète, faire référence au manuel d'installation spécifique fourni avec le produit. Toujours conserver ces instructions avec l'appareil, même en cas de cession ou de transfert à une autre personne. Il est important que les utilisateurs connaissent toutes les caractéristiques de fonctionnement et de sécurité de l'appareil.

 La connexion des câbles doit être effectuée par un technicien compétent.

- En aucun cas le fabricant ne peut être tenu pour responsable d'éventuels dommages dus à une installation ou à une

utilisation impropre.

- La distance de sécurité minimale entre la plaque de cuisson et la hotte aspirante est : pour les plans de cuisson électriques 500 mm et pour les plans de cuisson à gaz 650 mm.
- Si les instructions d'installation du plan de cuisson à gaz spécifient une distance supérieure à celle indiquée ci-dessus, veuillez impérativement en tenir compte.
- Assurez-vous que la tension du secteur correspond à celle indiquée sur la plaque des caractéristiques apposée à l'intérieur de la hotte.
- Les dispositifs de sectionnement doivent être montés dans l'installation fixe conformément aux normes sur les systèmes de câblage.
- Pour les appareils de Classe I, s'assurer que l'installation électrique de votre intérieur dispose d'une mise à la terre adéquate.
- Relier la hotte au conduit

- de cheminée avec un tube ayant un diamètre minimum de 120 mm. Le parcours des fumées doit être le plus court possible.
- Ne pas relier la hotte aspirante aux conduits de cheminée qui acheminent les fumées de combustion (par ex. de chaudières, de cheminées, etc.).
 - Si vous utilisez la hotte en même temps que des appareils non électriques (par ex. fonctionnant au gaz), veillez à ce que la pièce soit adéquatement ventilée, afin d'empêcher le retour du flux des gaz d'évacuation. Si vous utilisez la hotte de cuisine en même temps que des appareils non alimentés à l'électricité, la pression négative dans la pièce ne doit pas dépasser 0,04 mbar, afin d'éviter que les fumées soient réaspirées dans la pièce où se trouve la hotte.
 - Ne pas évacuer l'air à travers une conduite utilisée pour l'évacuation des fumées des appareils de combustion alimentés au gaz ou avec d'autres combustibles.
- Si le cordon d'alimentation est endommagé, faites-le remplacer par le fabricant ou par un technicien d'un service après-vente agréé.
 - Brancher la fiche à une prise conforme aux normes en vigueur et dans une position accessible.
 - En ce qui concerne les dimensions techniques et de sécurité à adopter pour l'évacuation des fumées, veuillez vous conformer scrupuleusement aux règlements établis par les autorités locales.
-  **AVERTISSEMENT** : Avant d'installer la hotte, retirez les films de protection.
- Utilisez exclusivement des vis et des petites fournitures du type adapté pour la hotte.
-  **AVERTISSEMENT** : toute installation de vis et de dispositifs de fixation non conformes à ces instructions peut entraîner des risques de décharges électriques.
- Branchez la hotte au secteur avec un interrupteur bipolaire ayant une

ouverture des contacts d'au moins 3 mm.

- Ne pas observer directement avec des instruments optiques (jumelles, lentilles grossissantes...).
- Ne flambez pas des mets sous la hotte : sous risque de développer un incendie.
- Cet appareil peut être utilisé par des enfants de plus de 8 ans et par des personnes dont les capacités physiques, sensorielles ou mentales sont diminuées ou ayant une expérience et des connaissances insuffisantes, pourvu que ce soit sous la surveillance attentive d'une personne responsable et après avoir reçu des instructions sur la manière d'utiliser cet appareil en toute sécurité et sur les dangers que cela comporte. S'assurer que les enfants ne jouent pas avec cet appareil. Le nettoyage et l'entretien de la part de l'utilisateur ne doivent pas être effectués par des enfants, à moins qu'ils ne soient surveillés.
- Surveiller les enfants. S'assurer qu'ils ne jouent

pas avec l'appareil.

- Cet appareil n'est pas destiné à être utilisé par des personnes (enfants compris) dont les capacités physiques, sensorielles ou mentales sont diminuées ou ayant une expérience et des connaissances insuffisantes, à moins que celles-ci ne soient attentivement surveillées et instruites.



Les parties accessibles peuvent devenir très chaudes durant l'utilisation des appareils de cuisson.

- Nettoyer et/ou remplacer les filtres après le délai indiqué (danger d'incendie).
- Veiller à ce que la pièce bénéficie d'une ventilation adéquate lorsque la hotte fonctionne en même temps que des appareils utilisant du gaz ou d'autres combustibles (non applicable aux appareils qui évacuent l'air uniquement dans la pièce)

Installation

Modes d'installation

La hotte a été conçue pour être installée et utilisée en « version aspirante » ou en « version à recyclage ».

Version aspirante (voir le symbole dans les instructions d'installation)

La vapeur de cuisson est aspirée et évacuée à l'extérieur de l'habitation via une conduite d'évacuation (non fournie), installée sur la sortie de vapeur de la hotte.

S'assurer que la conduite d'évacuation est correctement installée sur la sortie d'air au moyen d'un système de raccordement approprié.

Version à recyclage d'air (voir le symbole dans les instructions d'installation)

L'air est filtré via un ou plusieurs filtres, puis est de nouveau rejeté dans la pièce.

Important : Assurez une circulation appropriée de l'air autour de la hotte.


Important : Si la hotte est fournie sans filtres à charbon et elle est installée en version à recyclage d'air, vous devez commander et installer ces filtres avant d'utiliser l'appareil. Ces filtres sont disponibles dans le commerce.

La hotte doit être installée loin de zones particulièrement sales, de fenêtres, de portes et de sources de chaleur.

Les accessoires de fixation murale ne sont pas fournis, car ils varient selon le matériau de la paroi. Utilisez des systèmes de fixation adaptés aux murs de votre habitation et au poids de l'appareil. Pour plus d'informations, veuillez contacter un revendeur spécialisé. Conservez ces instructions pour toute consultation future.


Aspects environnementaux

Élimination des appareils électroménagers

- Le symbole  sur le produit ou sur son emballage indique que le produit ne doit pas être jeté avec les ordures ménagères normales. Le produit doit être éliminé dans un centre de recyclage spécialisé pour les composants électriques et électroniques. En vous assurant que ce produit est mis au rebut correctement, vous contribuerez à éviter les conséquences négatives possibles pour l'environnement et la santé qui pourraient résulter de son élimination incorrecte.

Pour plus d'informations sur la manière de recycler ce produit, veuillez contacter votre mairie, le service local d'élimination des déchets ou le magasin dans lequel le produit a été acheté.

Élimination des matériaux d'emballage

Les matériaux portant le symbole  peuvent être recyclés. Jetez les matériaux d'emballage dans les bacs de recyclage prévus à cet effet.

Nettoyage et entretien

Utilisation

- Éteindre ou débrancher l'appareil du secteur, avant d'effectuer toute opération de nettoyage et d'entretien.
- Ne pas utiliser la hotte comme un plan d'appui.
- Cette hotte aspirante a été conçue exclusivement pour un usage domestique dans le but d'éliminer les odeurs de cuisine.
- Ne jamais utiliser la hotte pour des buts différents de ceux pour lesquels elle a été conçue.
- Ne jamais laisser un feu vif allumé sous la hotte lorsque celle-ci est en fonction.
- Réglez l'intensité du feu de manière à l'orienter exclusivement vers le fond de la casserole, en vous assurant que celui-ci ne déborde pas sur les côtés.
- Contrôlez constamment les friteuses durant leur utilisation : l'huile surchauffée risque de s'incendier.

Nettoyage et entretien

- Les filtres à graisse doivent être nettoyés tous les 2 mois de fonctionnement, ou plus fréquemment pour un usage particulièrement intensif, afin d'éviter un risque d'incendie potentiel et ils peuvent être lavés au lave-vaisselle.
- Nettoyez la hotte avec un chiffon humide et un détergent liquide neutre.

Entretien et nettoyage du filtre à Charbon longue durée (Green)

- Le filtre anti-odeur peut être lavé et régénéré tous les 3-4 mois (ou plus fréquemment en cas d'utilisation intensive de la hotte) jusqu'à un maximum de 8 cycles de régénération (en cas d'utilisation particulièrement intensive, il est conseillé de ne pas dépasser les 5 cycles).

Procédure de régénération :

- Laver au lave-vaisselle à une température MAX de 70° ou laver à la main avec de l'eau chaude sans utiliser d'éponges abrasives (ne pas utiliser de produits détergents !).
- Sécher au four à une température MAX de 70° pendant 2 heures (il est recommandé de lire attentivement le manuel de l'utilisateur et les instructions de montage de votre four).

Remplacement des ampoules

Pour tout remplacement, contactez un service après-vente agréé.

Fabricant

Ikea of Sweden AB - SE - 343 81 Älmhult, Suède

Raccordement électrique

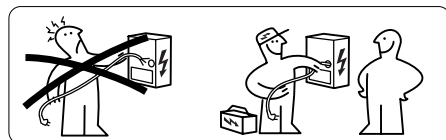


AVERTISSEMENT : Tous les raccordements électriques doivent être effectués par un installateur agréé.

- Avant d'effectuer les raccordements, vérifiez que la tension nominale de l'appareil indiquée sur la plaque signalétique de celui-ci correspond à la tension d'alimentation.



Attention ! Ne soudez aucun des câbles !



- Les réparations qui n'ont pas été effectuées par des techniciens de service après-vente désignés et/ou un partenaire contractuel autorisé ni celles où l'on n'a pas utilisé des pièces d'origine.
- Les dommages résultant d'une installation incorrecte ou non respectueuse des spécifications d'installation.
- L'utilisation de l'appareil dans un environnement non domestique (par exemple pour un usage professionnel).
- Dommages dus au transport. Si le client transporte le produit chez lui ou à une autre adresse, IKEA ne pourra en aucun cas être tenu responsable des dommages survenant pendant le transport. En revanche, si IKEA livre le produit à l'adresse de livraison du client, tout endommagement du produit survenant en cours de transport sera couvert par la présente garantie.
- Frais d'installation initiale de l'appareil IKEA. En revanche, si un fournisseur de service après-vente IKEA ou son partenaire autorisé répare ou remplace l'appareil aux termes de la présente garantie, le fournisseur de service après-vente ou son partenaire autorisé réinstallera l'appareil réparé ou installera l'appareil de remplacement, selon le cas.

Cette restriction ne concerne pas les cas où un service après-vente qualifié a travaillé sans faire d'erreur et en utilisant les pièces d'origine afin d'adapter l'appareil aux normes de sécurité techniques d'un autre pays de l'Union européenne.

Application de la garantie légale

La garantie IKEA vous donne des droits légaux spécifiques, qui couvrent ou dépassent les exigences locales. Cependant, ces conditions ne limitent en aucune façon les droits des consommateurs décrits dans la législation locale

Zone de validité

Pour les appareils achetés dans un pays de l'Union européenne et transportés dans un autre pays de l'Union européenne, les services seront fournis dans le cadre des conditions de garantie valables dans ce dernier. L'obligation de fournir des services dans le cadre de la garantie n'existe que si :

- l'appareil est conforme et installé conformément aux spécifications techniques du pays dans lequel la demande de garantie est effectuée ;
- l'appareil est conforme et installé conformément aux instructions de montage et consignes de sécurité indiquées dans la notice d'utilisation ;

Service après-vente dédié aux appareils IKEA :

N'hésitez pas à contacter le Service après-vente IKEA pour :

1. effectuer une réclamation dans le cadre de cette garantie ;
2. demander une précision pour installer votre appareil IKEA dans des meubles de cuisine IKEA. Le service après-vente ne fournira pas de précision en ce qui concerne :
 - l'installation d'ensemble de la cuisine IKEA ;
 - les raccordements électriques (si l'appareil est fourni sans prise et sans câble), à l'eau et au gaz car ils doivent être effectués par un professionnel qualifié.
3. la demande de précisions sur le contenu de la notice d'utilisation et les caractéristiques de l'appareil IKEA.

Pour que nous puissions vous fournir la meilleure assistance, lisez attentivement les instructions de montage et/ou le chapitre concerné de la présente notice d'utilisation avant de nous contacter.

Comment nous contacter en cas de besoin ?



Vous trouverez la liste complète des contacts de service après-vente choisis par IKEA et leurs numéros de téléphone respectifs à la fin de cette notice.

Important ! Pour que nous puissions vous fournir un service rapide et compétent, nous vous conseillons d'utiliser les numéros de téléphone spécifiques indiqués à la fin de cette notice. Vous trouverez tous les numéros de téléphone utiles dans la notice d'utilisation correspondant à votre appareil. Avant de nous appeler, cherchez et conservez à portée de main le numéro de l'article IKEA (code à 8 chiffres) correspondant à l'appareil pour lequel vous avez besoin d'assistance.

Important ! CONSERVEZ LE TICKET DE CAISSE !


C'est votre preuve d'achat ; il vous sera demandé pour tout appel sous garantie. Veuillez noter que le ticket de caisse contient aussi le nom et le numéro de l'article IKEA (code à 8 chiffres) de chaque appareil acheté.

Avez-vous besoin d'aide supplémentaire ?

Pour toute question supplémentaire non liée au service après-vente de vos appareils. Veuillez contacter le centre d'appels de notre magasin IKEA le plus proche. Nous vous recommandons de lire attentivement la notice d'utilisation de l'appareil avant de nous contacter.

Informazioni sulla sicurezza

 Per la propria sicurezza e per il corretto funzionamento dell'apparecchio, si prega di leggere attentamente questo manuale prima dell'installazione e della messa in funzione. Guardare attentamente le immagini di avvertenza all'inizio di questo manuale. Per una corretta e completa installazione fare riferimento allo specifico manuale di installazione fornito insieme al prodotto. Tenere queste istruzioni sempre insieme all'apparecchio, anche in caso di cessione o trasferimento a terzi. È importante che gli utilizzatori conoscano tutte le caratteristiche di funzionamento e sicurezza dell'apparecchio.

 Il collegamento dei cavi deve essere effettuato da un tecnico competente.

• Il fabbricante non potrà ritenersi responsabile per eventuali danni risultanti da

un'installazione o utilizzazione impropria.

- La distanza minima di sicurezza tra il piano cottura e la cappa aspirante è di 500 mm per le cappe di cucine elettriche e di 650 mm per le cappe di cucine a gas.
- Se le istruzioni di installazione del piano cottura a gas specificano una distanza maggiore di quella sopra indicata, è necessario tenerne conto.
- Controllare che la tensione di rete corrisponda a quella indicata sulla targa dati applicata all'interno della cappa.
- I dispositivi di sezionamento devono essere installati nell'impianto fisso in conformità alle normative sui sistemi di cablaggio.
- Per gli apparecchi di Classe I, controllare che la rete di alimentazione domestica disponga di un adeguato collegamento a massa.

- Collegare la cappa alla canna fumaria con un tubo di diametro minimo di 120 mm. Il percorso dei fumi deve essere il più corto possibile.
 - Non collegare la cappa aspirante ai condotti fumari che trasportano fumi di combustione (per es. di caldaie, camini ecc.).
 - Se la cappa è utilizzata in combinazione con apparecchi non elettrici (per es. apparecchi a gas), deve essere garantito un sufficiente grado di aerazione nel locale per impedire il ritorno di flusso dei gas di scarico. Quando la cappa per cucina è utilizzata in combinazione con apparecchi non alimentati dalla corrente elettrica, la pressione negativa nel locale non deve superare 0,04 mbar per evitare che i fumi vengano riaspirati nel locale dalla cappa.
 - L'aria non deve essere evacuata attraverso un condotto utilizzato per lo scarico dei fumi da apparecchi di combustione alimentati a gas o altri combustibili.
 - Il cavo di alimentazione, se danneggiato, deve essere sostituito dal fabbricante o da un tecnico del servizio assistenza.
 - Collegare la spina ad una presa di tipo conforme alle normative vigenti e in posizione accessibile.
 - Relativamente alle misure tecniche e di sicurezza da adottare per lo scarico dei fumi è importante attenersi scrupolosamente ai regolamenti stabiliti dalle autorità locali.
-  **AVVERTENZA:** prima di installare la cappa, rimuovere le pellicole di protezione.
- Usare solo viti e minuteria di tipo idoneo per la cappa.
-  **AVVERTENZA:** la mancata installazione delle viti o dei dispositivi di fissaggio in conformità alle pre-

senti istruzioni può comportare rischi di scosse elettriche.

- Collegare la cappa alla rete di alimentazione elettrica mediante un interruttore bipolare con distanza tra i contatti di almeno 3 mm.
- Non osservare direttamente con strumenti ottici (binocolo, lente d'ingrandimento....).
- Non cuocere al flambé sotto la cappa: si potrebbe sviluppare un incendio.
- Questo apparecchio può essere utilizzato da bambini di età non inferiore a 8 anni e da persone con ridotte capacità psico-fisico-sensoriali o con esperienza e conoscenze insufficienti, purché attentamente sorvegliati e istruiti su come utilizzare in modo sicuro l'apparecchio e sui pericoli che ciò comporta. Assicurarsi che i bambini non giochino con l'apparecchio. Pulizia e manutenzione da parte dell'utente non devono essere effettuate da

bambini, a meno che non siano sorvegliati.

- Sorvegliare i bambini, assicurandosi che non giochino con l'apparecchio.
- L'apparecchio non deve essere utilizzato da persone (bambini compresi) con ridotte capacità psico-fisico-sensoriali o con esperienza e conoscenze insufficienti, a meno che non siano attentamente sorvegliate e istruite



Le parti accessibili possono diventare molto calde durante l'uso degli apparecchi di cottura.

- Pulire e/o sostituire i filtri dopo il periodo di tempo specificato (pericolo di incendio).
- Deve essere presente un'adeguata ventilazione nel locale quando la cappa è utilizzata contemporaneamente ad apparecchi che utilizzano gas o altri combustibili (non applicabile ad apparecchi che scaricano unicamente l'aria nel locale)

Installazione

Modi di Installazione

La cappa è stata progettata per l'installazione e l'uso in "versione aspirante" o in "versione a ricircolo d'aria".

Versione aspirante (vedere il simbolo



nelle istruzioni di installazione)

Il vapore di cottura viene aspirato e convogliato al di fuori dell'abitazione attraverso un tubo di scarico (non in dotazione) installato all'uscita del vapore della cappa. Assicurarsi che il tubo di scarico sia correttamente installato all'uscita dell'aria utilizzando un sistema di collegamento idoneo.

Versione a ricircolo d'aria (vedere il



simbolo nelle istruzioni di installazione)

L'aria viene filtrata attraverso uno o più filtri e poi convogliata nuovamente nel locale.

Importante: Assicurarsi che vi sia una corretta circolazione dell'aria attorno alla cappa.


Importante: Se la cappa non ha in dotazione i filtri al carbone, questi devono essere ordinati e montati prima dell'uso dell'apparecchio. I filtri sono reperibili in commercio. La cappa deve essere installata lontano da aree particolarmente sporche, finestre, porte e fonti di calore.

Gli accessori per il fissaggio a parete non sono inclusi perché variano a seconda del materiale della parete. Utilizzare sistemi di fissaggio idonei alle pareti della propria abitazione e al peso dell'apparecchio. Per informazioni più dettagliate contattare un rivenditore specializzato.

Conservare queste istruzioni per future consultazioni.

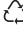
Aspetti ambientali

Smaltimento degli elettrodomestici

- Il simbolo  sul prodotto o sulla sua confezione indica che il prodotto non deve essere smaltito insieme ai normali rifiuti domestici. Il prodotto deve essere smaltito presso un centro specializzato nel riciclaggio di componenti elettrici ed elettronici. Assicurandosi che questo prodotto sia smaltito correttamente, contribuirà a prevenire potenziali conseguenze negative per l'ambiente e per la salute che potrebbero altrimenti derivare da uno smaltimento inadeguato.

Per informazioni più dettagliate su come riciclare questo prodotto, rivolgersi alle autorità municipali, al locale servizio di smaltimento rifiuti oppure al negozio dove è stato acquistato il prodotto.

Smaltimento dei materiali d'imballaggio

I materiali con il simbolo  sono riciclabili. Smaltire i materiali d'imballaggio in appositi contenitori di raccolta per il riciclaggio.

Pulizia e manutenzione

Uso

- Spegner o scollegare l'apparecchio dalla rete di alimentazione prima di qualunque operazione di manutenzione.
- La cappa non deve essere utilizzata come piano d'appoggio.
- La cappa aspirante è progettata esclusivamente per l'uso domestico allo scopo di eliminare gli odori dalla cucina.
- Non usare mai la cappa per scopi diversi da quelli per cui è stata progettata.
- Non lasciare mai fiamme alte sotto la cappa quando è in funzione.
- Regolare l'intensità della fiamma in modo da dirigerla esclusivamente verso il fondo del recipiente di cottura, assicurandosi che non ne avvolga i lati.
- Le friggitorici devono essere costantemente controllate durante l'uso: l'olio surriscaldato potrebbe incendiarsi.

Pulizia e manutenzione

- I filtri antigrasso devono essere puliti ogni 2 mesi di funzionamento, o più frequentemente in caso di utilizzo molto intenso, al fine di evitare un potenziale pericolo di incendio e possono essere lavati in lavastoviglie.
- Pulire la cappa utilizzando un panno umido e un detergente liquido neutro.

Pulizia e manutenzione del Filtro al carbone a lunga durata (verde)

- Il filtro antidiodori può essere lavato e rigenerato ogni 3-4 mesi (o più frequentemente se la cappa è sottoposta a un uso intensivo), fino a un massimo di 8 cicli di rigenerazione (in caso d'uso particolarmente intensivo si raccomanda di non superare i 5 cicli).

Procedura di rigenerazione:

- Lavare in lavastoviglie a una temperatura MAX di 70° o lavare a mano in acqua calda senza usare spugne abrasive (non usare detergenti!).
- Asciugare in forno a una temperatura MAX di 70° per 2 ore (si raccomanda di leggere attentamente il manuale d'uso e le istruzioni di montaggio del proprio forno).

Sostituzione delle lampade

Per la sostituzione, contattare un centro di assistenza autorizzato.

Produttore

Ikea of Sweden AB - SE - 343 81 Älmhult, Svezia

Collegamento elettrico

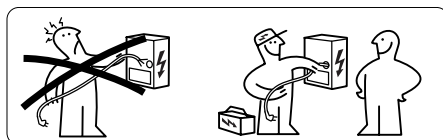


AVVERTENZA: Tutti i collegamenti elettrici devono essere eseguiti da un installatore autorizzato.

- Prima di eseguire i collegamenti, verificare che la tensione nominale dell'apparecchio indicata sulla targhetta dati corrisponda alla tensione della rete di alimentazione.

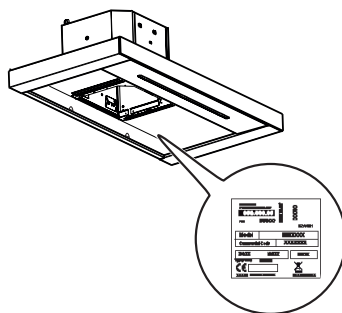


Attenzione! Non effettuare saldature sui cavi!



Targhetta dati

Le informazioni tecniche si trovano nell'etichetta sul lato interno dell'apparecchio.



GARANZIA IKEA

Per quanto è valida la garanzia IKEA?

Questa garanzia è valida per cinque (5) anni dalla data originale di acquisto dell'apparecchio presso IKEA. Lo scontrino originale è indispensabile come ricevuta d'acquisto. Una riparazione effettuata nell'ambito della garanzia non estende il periodo di garanzia per l'apparecchio.

Chi fornisce il servizio ai clienti?

L'assistenza ai clienti sarà garantita dal fornitore del servizio nominato da IKEA attraverso la propria organizzazione o la propria rete di partner di assistenza autorizzati.

Cosa copre la garanzia?

La garanzia copre gli eventuali difetti legati ai materiali e o alla costruzione dell'elettrodomestico ed è valida a partire dalla data di acquisto dell'elettrodomestico presso un punto vendita IKEA. La garanzia è valida solo su elettrodomestici destinati all'impiego domestico. Le eccezioni sono descritte alla voce "Cosa non copre la garanzia". Nel periodo di validità della garanzia, il fornitore del servizio nominato da IKEA sosterrà i costi per la riparazione, i pezzi di ricambio, la manodopera e le trasferte del personale di manutenzione, ammesso che il prodotto possa essere riparato senza costi troppo elevati e che il difetto legato ai materiali o alla costruzione rientri nella copertura della garanzia. Queste condizioni sono conformi alle direttive EU (N. 99/44/CE) e alle norme e disposizioni locali applicabili. Le parti sostituite diventeranno di proprietà di IKEA.

Come interverrà IKEA per risolvere il problema?

Il fornitore del servizio nominato da IKEA esaminerà il prodotto e deciderà a propria esclusiva

discrezione se lo stesso rientra nella copertura della garanzia. In caso affermativo, il fornitore del servizio nominato da IKEA o un suo partner di assistenza autorizzato provvederà a propria esclusiva discrezione a riparare il prodotto difettoso o a sostituirlo con un prodotto uguale o equivalente.

Cosa non copre la garanzia

- Normale usura.
- Danni provocati deliberatamente o per negligenza e danni provocati dalla mancata osservanza delle istruzioni di funzionamento, da un'installazione non corretta o dal collegamento a un voltaggio errato. Danni provocati da reazioni chimiche o elettrochimiche, ruggine, qualità dell'acqua (per esempio presenza di eccessivo calcare nelle condutture idriche), eventi atmosferici o condizioni ambientali anomale.
- Parti soggette ad usura, per esempio batterie e lampadine.
- Danni a parti decorative e non funzionali che non influiscono sul normale utilizzo dell'elettrodomestico, per esempio graffi e variazioni di colore.
- Danni a parti come vetroceramica, accessori, cesti per stoviglie e posate, tubi di alimentazione e scarico, guarnizioni, lampadine e relative coperture, schermi, pomelli, rivestimenti e parti di rivestimenti o involucri, salvo
- Danni a parti come vetroceramica, accessori, cesti per stoviglie e posate, tubi di alimentazione e scarico, guarnizioni, lampadine e relative coperture, schermi, pomelli, rivestimenti e parti di rivestimenti o involucri, salvo che si possa provare che tali danni siano stati causati da difetti di produzione.

- Casi in cui non siano rilevati difetti durante la visita di un tecnico.
- Riparazioni non effettuate dal fornitore del servizio nominato da IKEA o da un partner di assistenza autorizzato o riparazioni in cui siano state utilizzate parti non originali.
- Riparazioni causate da installazione impropria o non conforme alle specifiche.
- Uso dell'elettrodomestico in ambiente non domestico, per esempio per uso professionale o commerciale.
- Danni dovuti al trasporto. In caso di trasporto effettuato dal cliente presso la propria abitazione o un altro recapito, IKEA non potrà ritenersi responsabile per eventuali danni verificatisi durante il trasporto. Tuttavia, se il trasporto presso il recapito del cliente è effettuato da IKEA, gli eventuali danni dovuti al trasporto rientreranno nella presente garanzia.
- Costo di installazione iniziale dell'apparecchiatura IKEA. Se un fornitore di servizio nominato da IKEA o un altro partner di assistenza autorizzato effettua una riparazione o sostituzione dell'apparecchiatura nell'ambito della garanzia, il fornitore o il partner di assistenza dovrà provvedere anche alla reinstallazione dell'apparecchiatura riparata o all'installazione dell'apparecchiatura sostitutiva, se necessario.

Tali limitazioni non si applicano a lavori eseguiti a regola d'arte da personale qualificato e con l'uso di parti originali per adattare l'elettrodomestico alle norme di sicurezza di un'altra nazione dell'UE.

Applicabilità delle leggi nazionali

La garanzia IKEA conferisce al cliente diritti legali specifici in aggiunta ai diritti previsti dalla legge e variabili a seconda dei paesi.

Area di validità

Per gli elettrodomestici acquistati in una nazione UE e trasferiti in un'altra nazione UE, i servizi saranno forniti in base alle condizioni di garanzia applicabili nella nuova nazione.

L'obbligo di fornire il servizio in base alle condizioni della garanzia sussiste solo se:

- l'elettrodomestico è conforme alle specifiche tecniche del paese in cui è richiesta l'applicazione della garanzia;
- l'elettrodomestico è conforme e installato conformemente alle Istruzioni di montaggio e alle informazioni per la sicurezza contenute nel Manuale d'uso;

Servizio Assistenza dedicato agli elettrodomestici IKEA:

Non esitate a contattare il Servizio Assistenza IKEA per:

1. usufruire della garanzia;
2. chiedere chiarimenti sull'installazione degli elettrodomestici IKEA nei mobili da incasso specifici di IKEA. Il servizio non fornirà assistenza o chiarimenti in merito a:
 - installazione di cucine complete IKEA;
 - collegamenti elettrici (se l'apparecchio è fornito senza cavi e spine), allacciamenti idraulici e collegamenti all'impianto del gas che devono essere eseguiti da un tecnico di assistenza autorizzato.
3. chiedere chiarimenti sul contenuto del manuale d'uso e su specifiche dell'elettrodomestico IKEA.

Per garantirvi la migliore assistenza, Vi preghiamo di leggere attentamente le Istruzioni di montaggio e/o il Manuale d'uso prima di contattarci.

Come contattarci se avete bisogno del nostro intervento



Consultare l'elenco completo dei fornitori di servizio IKEA e dei relativi numeri di telefono nell'ultima pagina del presente manuale.

Importante Per garantirvi un servizio più rapido, raccomandiamo di utilizzare i numeri di telefono elencati alla fine del presente manuale. Quando richiedete assistenza, fate sempre riferimento ai codici specifici dell'elettrodomestico che trovate nel presente manuale. Prima di contattarci, assicuratevi di avere a portata di mano il codice prodotto IKEA (8 cifre) relativo all'elettrodomestico per il quale richiedete assistenza.

Importante CONSERVATE LO SCONTRINO!

E' la Vostra prova di acquisto ed è necessario esibirlo per poter usufruire della garanzia. Sullo scontrino sono riportati anche il nome e il codice (a 8 cifre) dell'elettrodomestico IKEA che avete acquistato.

Vi serve altro aiuto?

Per ulteriori domande non inerenti il servizio assistenza sulle apparecchiature, contattare il più vicino punto vendita IKEA. Vi preghiamo di leggere attentamente la documentazione dell'apparecchiatura prima di contattarci.

Oplysninger om sikkerhed

-  For din sikkerhed og for at sikre korrekt brug af apparatet anbefaler vi, at du læser denne brugsanvisning omhyggeligt inden installation og brug af apparatet. Observer nøje advarselsbillederne i starten af denne manual. Der henvises til den specifikke installationsmanual, der leveres med produktet, for korrekt og komplet installation. Opbevar omhyggeligt denne brugsanvisning sammen med apparatet, så den kan overdrages til en eventuel ny ejer. Det er vigtigt, at brugerne er bekendt med alle apparatets funktions- og sikkerhedskarakteristika.
-  Kablerne skal tilsluttes af specialuddannet personale.
- Producenten kan ikke gøres ansvarlig for eventuelle skader, som skyldes forkert installation eller brug.
 - Den mindste sikkerhedsafstand mellem komfuret og emhætten er: ved el-komfur 500 mm og gaskomfur 650 mm.
 - Hvis der i gaskomfurets installationsvejledning er angivet en større afstand end den ovenstående, skal der tages højde for dette.
 - Kontrollér, at netspændingen svarer til angivelserne på skiltet inden i emhætten.
 - Det er nødvendigt at installere hovedafbrydere i det faste elanlæg i henhold til forskrifterne om kabelsystemer.
 - For apparater i klasse I: Kontrollér, at husstandens strømforsyning har en passende jordforbindelse.
 - Forbind emhætten med røgkanalen med et rør med min. diameter på 120 mm. Røgaftrækket skal

- være så kort som mulig.
- Emhætten må ikke forbindes med røgaftrækket til udledning af røggas fra forbrændingsprocessen (eksempelvis kedler, pejse osv.).
 - Hvis emhætten benyttes sammen med apparater, som ikke er elektriske (eksempelvis gasdrevne apparater), skal der sikres en tilstrækkelig udluftning i lokalet for at hindre tilbagestrømning af den udledte gas. Når emhætten benyttes sammen med apparater, som ikke er elektriske, må det negative tryk i lokalet ikke overskride 0,04 mbar for at undgå, at emhætten suger røgen tilbage til lokalet.
 - Luften må ikke bortledes gennem et røgaftræk til udledning af røggas fra apparater med forbrænding af gas eller andre former for brændstof.
 - Hvis forsyningskablet beskadiges, skal det udskiftes af producenten eller et autoriseret servicecenter.
 - Slut stikket til en lettilgængelig stikkontakt, der opfylder de gældende lovbestemmelser.
 - Hvad angår de tekniske tiltag og sikkerhedsforanstaltningerne, der skal træffes for udledningen af røggassen, er det vigtigt at overholde de lokale myndigheders regler helt nøjagtig.
-  **ADVARSEL:** Fjern beskyttelsesfilmen, før emhætten installeres.
- Brug kun skruer og beslag, som er egnede til emhætten.
-  **ADVARSEL:** Manglende installation af skruerne eller beslagene i overensstemmelse med disse instruktioner kan medføre risiko for elektrisk stød.
- Forbind emhætten til elforsyningsnettet ved hjælp af en topolet afbryder med en afstand mellem kontakterne på

- mindst 3 mm.
 - Betragt ikke lysdioden med brug af optisk udstyr (kikkert, forstørrelsesglas osv.).
 - Flambér ikke under emhætten: Der er risiko for brand.
 - Dette apparat må ikke anvendes af børn under 8 år, af personer med psykiske, fysiske og sanssemæssige handicaps eller af personer med manglende erfaring eller kendskab, medmindre de overvåges og instrueres.
 - Der skal holdes øje med børnene for at sørge for, at de ikke har mulighed for at lege med apparatet. Den rengøring og vedligeholdelse, som skal udføres af brugeren, må ikke udføres af børn, medmindre de er under opsyn.
 - Dette apparat må ikke anvendes af personer (herunder børn) med psykiske, fysiske og sanssemæssige handicaps eller af personer med manglende erfaring eller kendskab, medmindre de overvåges og instrueres.
-  De tilgængelige dele kan blive meget varme i forbindelse med brug af kogeplader, komfurer og andre madlavningsapparater.
- Rengør og/eller udskift filtrene efter den angivne periode (brandfare).
 - Der skal være en passende udluftning i lokalet, når emhætten benyttes sammen med apparater med forbrænding af gas eller andre former for brændstof (vedrører ikke apparater, som udelukkende leder luften ind i lokalet).

Installation

Fremgangsmåde vedrørende installation

Emhætten er projekteret til installation og brug i "version med udsugning" eller i "version med gencirkulation af luft".

Version med udsugning (se symbolet i installationsvejledningen)

Dampen fra madlavningen suges ud og sendes uden for boligen gennem et udsugningsrør (medfølger ikke), der installeres på emhættens dampudledning. Kontrollér, at udsugningsrøret er installeret korrekt på luftudledningen ved hjælp af et passende tilslutningssystem.

Version med gencirkulation af luft (se symbolet i installationsvejledningen)

Den filtrerede luft sendes gennem et eller flere filtre og sendes herefter atter ind i lokalet.

Vigtigt: Kontrollér, at der er en korrekt luftcirkulation omkring emhætten.

Vigtigt: Hvis emhætten ikke leveres sammen med kulfiltrene, skal filtrene bestilles og monteres inden brug af apparatet. Filtrene fås i handelen.


Emhætten skal installeres i god afstand fra meget snavsede områder, vinduer, døre og varmekilder.

Beslag til vægmontering medfølger ikke, idet de varierer afhængigt af væggens materiale. Benyt passende beslag i forhold til væggene i boligen og apparatets vægt. Kontakt en specialiseret forhandler vedrørende yderligere oplysninger.

Gem denne brugsanvisning til fremtidig brug.


Miljømæssige aspekter

Bortskaffelse af husholdningsapparater

- Symbolet  på produktet eller emballagen angiver, at produktet ikke må bortskaffes sammen med almindeligt husholdningsaffald. Produktet skal bortskaffes på en specialiseret genbrugsstation til elektriske og elektroniske komponenter. Når du sikrer, at dette produkt bortskaffes korrekt, hjælper du med til at forhindre negativ påvirkning af miljøet og menneskers helbred, der ellers kunne forårsages pga. forkert bortskaffelse.

Du kan få mere detaljerede oplysninger om genbrug af produktet ved at kontakte din kommune, dit renovationselskab eller den butik, hvor du købte produktet.

Bortskaffelse af emballeringsmaterialer

Materialer med symbolet  kan genbruges. Bortskaf emballagematerialerne i særlige genbrugsbeholdere.

Rengøring og vedligeholdelse

Anvendelse

- Sluk apparatet eller kobl det fra elforsyningsnettet inden enhver form for vedligeholdelse.
- Emhætten må ikke benyttes som støtteplade.
- Emhætten er udelukkende projekteret til husholdningsbrug for at fjerne mados.
- Brug aldrig emhætten til andre formål end de, hvortil den er projekteret.
- Sørg for, at der aldrig er høje flammer under emhætten, når den er tændt.
- Regulér flammens intensitet, så den udelukkende rettes mod grydens/pandens bund. Sørg for, at den ikke kommer omkring siderne.
- Hold hele tiden øje med friturestegerne, mens de er i brug: Der er fare for, at der går ild i den hede olie.

Rengøring og vedligeholdelse

- Fedtfilterne skal rengøres hver 2. måned, eller oftere ved særligt krævende brug, for at undgå potentiel brandfare og kan vaskes i opvaskemaskine.
- De kan vaskes i opvaskemaskine. Rengør emhætten ved hjælp af en fugtig klud og flydende skånsomt rengøringsmiddel.

Rengøring og vedligeholdelse af kulfilter med lang driftslevetid (grønt)

- Lugtfilteret kan vaskes og regenereres hver 3.-4. måned (eller hyppigere, hvis emhætten bruges ofte), op til maks. 8 regenereringscyklusser (det frarådes at overstige 5 cyklusser ved meget intensiv brug).

Regenerering:

- Filtrene kan vaskes i opvaskemaskine ved en MAX. temperatur på 70 °C eller i hånden i varmt vand uden brug af skuresvampe (brug ikke opvaskemidler!).
- Tør i ovnen ved en MAKS. temperatur på 70 °C i 2 timer (det anbefales, at du nøje læser brugsanvisningen og monteringsanvisningerne vedrørende den indkøbte ovn).

De kan vaskes i opvaskemaskine.

Udskiftning af pærer Kontakt et autoriseret servicecenter med henblik på udskiftning.

Producent

Ikea of Sweden AB - SE - 343 81 Älmhult, Sverige

Elektrisk tilslutning

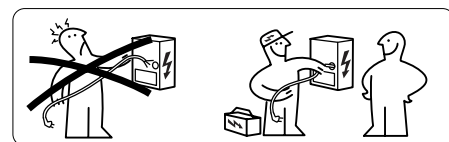


ADVARSEL: Alle elektriske tilslutninger skal udføres af en autoriseret installatør.

- Før du udfører tilslutningerne, skal du kontrollere, at apparatets nominelle spænding, der er angivet på den pågældende mærkeplade, svarer til forsyningspændingen.

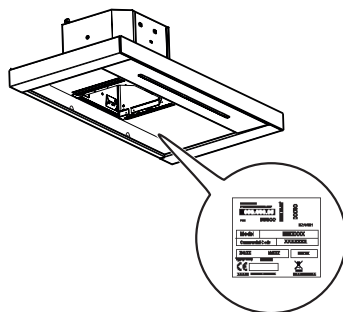


Pas på! Svejs ikke nogen af kablerne!



Mærkeplade

De tekniske data fremgår af skiltet i apparatet.



IKEA GARANTI

Hvor længe gælder IKEA garantien?

Denne garanti er gyldig i fem (5) år fra datoen for køb af apparatet ved IKEA. Den originale kvittering er påkrævet som bevis for købet. Hvis der udføres servicearbejde under garantien, vil det ikke forlænge garantiperioden for apparatet.

Hvem står for servicen?

IKEAs serviceleverandør står for servicen gennem sit eget netværk eller et netværk af autoriserede servicecentre.

Hvad er dækket af garantien?

Garantien dækker fejl på apparatet, der skyldes materiale- eller produktionsfejl, fra datoen for købet hos IKEA. Denne garanti gælder kun i forbindelse med husholdningsbrug. Undtagelserne er specificeret under overskriften "Hvad er ikke dækket af garantien?" Inden for garantiperioden dækker IKEAs serviceleverandør omkostningerne i forbindelse med udbedring af fejlen dvs. reparationer, reservedele, arbejdsløn og transport, såfremt apparatet kan repareres uden særlige ekstraudgifter. Disse betingelser er i overensstemmelse med EU-direktiver (99/44/EF) og de respektive lokale bestemmelser gældende. Udskiftede dele tilfalder IKEA.

Hvad gør IKEA for at afhjælpe problemet?

IKEAs serviceleverandør vil undersøge apparatet og efter eget skøn træffe afgørelse om, hvorvidt problemet er dækket af denne garanti eller ej. Hvis apparatet er dækket, vil IKEAs serviceleverandør eller et autoriseret

servicecenter efter eget skøn enten reparere det fejlbehæftede apparat eller udskifte det med et lignende eller tilsvarende apparat.

Hvad er ikke dækket af garantien?

- Normalt slid.
- Forsætlig eller uagtsom skade, skade forårsaget af manglende overholdelse af brugsanvisningen, ukorrekt installation eller tilslutning til forkert spænding, skade forårsaget af en kemisk eller elektro-kemisk reaktion, rust, korrosion eller vandskade, herunder men ikke begrænset til skade grundet for meget kalk i vandforsyningen samt skade forårsaget af unormale miljøforhold.
- Forbrugsstoffer herunder batterier og pærer.
- Ikke-funktionelle og dekorative dele, der ikke har nogen indflydelse på normal brug af apparatet, herunder eventuelle ridser og mulige farveforskelle.
- Tilfældige skader forårsaget af fremmedlegemer eller stoffer samt rengøring eller fjernelse af tilstopninger i filtre, udløbsstykker eller sæbeskuffer.
- Beskadigelse af følgende dele: Keramisk glas, tilbehør, spisestel og bestikurve, forsynings- og drænrør, pakninger, lamper og lampeskærme, skærme, knapper, kabinetter og dele af kabinetter. Medmindre det kan bevises, at sådanne skader er forårsaget af produktionsfejl.
- I tilfælde hvor der ikke findes nogen fejl under et teknikerbesøg.
- Reparationer, der ikke udføres af IKEAs

serviceleverandør og/eller et autoriseret servicecenter, eller hvor der er anvendt uoriginale reservedele.

- Reparationer på grund af fejlagtig installation, eller hvor specifikationerne ikke er overholdt.
- Brugen af apparatet uden for almindelig husholdningsbrug, dvs. til professionel eller kommerciel brug.
- Transportskader. Hvis en kunde selv transporterer apparatet til sit hjem eller til en anden adresse, er IKEA ikke ansvarlig for nogen skade, der måtte opstå under transporten. Hvis IKEA derimod leverer apparatet til kundens leveringsadresse, vil skader, der opstår under transporten, blive dækket af denne garanti.
- Omkostninger for at udføre installation af IKEA apparatet. Hvis en af IKEAs serviceleverandører eller deres autoriserede servicecentre reparerer eller udskifter apparatet under garantien, vil serviceleverandøren eller deres autoriserede servicecentre geninstallere apparatet eller installere udskiftningsapparatet om nødvendigt.

Disse begrænsninger gælder ikke for fejlfrit arbejde udført af en autoriseret specialist og under anvendelse af originale reservedele med det formål at tilpasse apparatet til tekniske sikkerhedsbestemmelser i et andet EU-land.

Gældende national lovgivning

IKEA garantien giver kunden specifikke lov-mæssige rettigheder, som dækker eller overstiger alle lokale juridiske krav, der kan være forskellige fra land til land. Disse betingelser begrænser på ingen måde forbrugers rettigheder i medfør af gældende national lov.

Gyldighedsområde

For apparater købt i et EU-land og medbragt til et andet EU-land vil serviceydelse blive leveret i henhold til de garantibetingelser, der er gældende i det nye land. Der eksisterer kun en forpligtelse til at udføre servicearbejde under garantien, hvis apparatet overholder og er installeret i overensstemmelse med:

- De tekniske specifikationer i det land, hvor garantikravet fremsættes;
- Monteringsanvisningerne og sikkerhedsoplysningerne i brugsanvisningen.

SERVICEAFDELING for IKEA apparater:

Tøv ikke med at kontakte IKEAs serviceafdeling for at:

1. anmode om service under garantien;
2. bede om oplysninger vedrørende installation af IKEA-apparatet i IKEA-køkkenmøbler. Servicen giver ikke yderligere oplysninger i forbindelse med:
 - installation af komplette IKEA køkkener;
 - elektriske tilslutninger (hvis apparatet leveres uden kabler og stik), vand- og gastilslutninger, som skal udføres af en autoriseret servicetekniker.
3. få præcisering omkring brugsanvisningens indhold og IKEA apparatets specifikationer.

For at sikre, at vi yder dig den bedste service, bedes du venligst læse monteringsanvisningerne og/eller brugsanvisningen omhyggeligt igennem, inden du kontakter os.

Hvordan kontakter du os i tilfælde af servicebehov



Se sidste side i denne vejledning, hvor der findes en liste over IKEAs nationale autoriserede servicecentre og telefonnumre.

Vigtigt: For at give dig en hurtigere service, anbefaler vi, at du bruger et af de specifikke telefonnumre i denne vejledning. Referér altid til numrene i vejledningen til det apparat, der er behov for service til. Ligeledes skal du referere til IKEA produktnummeret (8 cifret kode) til det apparat, der er behov for service til.

Vigtigt: GEM KØBSKVITTERINGEN!


Den er dit bevis på købet, og er nødvendig for garantiens gyldighed. Købskvitteringen indeholder ligeledes IKEA navnet og produktnummeret (8 cifret kode) for det købte IKEA apparat.

Har du brug for ekstra hjælp?

For eventuelle yderligere spørgsmål, der ikke er relateret til eftersalg af dine apparater. Kontakt venligst vores nærmeste IKEA call center. Vi anbefaler, at du læser dokumentationen til apparatet omhyggeligt igennem, inden du kontakter os.

Sikkerhetsinformasjon

 For din egen sikkerhet og en riktig funksjon av apparatet, må du lese denne veiledningen nøye før apparatet installeres og tas i bruk. Se over advarselbildene i starten av denne håndboken nøye. For en korrekt og fullstendig installasjon henvises det til den spesifikke installasjonshåndboken som fulgte med produktet. Veiledningen skal alltid følge med apparatet, også hvis det overdras til tredjeperson. Det er viktig at brukerne kjenner til alle apparatets drifts- og sikkerhetsegenskaper.

 Tilkoblingen av kablene må utføres av en kvalifisert tekniker.

- Produsenten er ikke ansvarlig for eventuelle skader som skyldes feil installasjon eller bruk.
- Minimum sikkerhetsavstand mellom platetopp


og kjøkkenvifte er: For elektrisk platetopp 500 mm og for gassplatetopp 650 mm.

- Hvis installasjonsinstruksjonene for gassplate-toppen spesifiserer en større avstand enn angitt ovenfor, må du overholde dette.
- Kontroller at nettspenningen stemmer med spenningen oppgitt på merkeplaten på innsiden av kjøkkenviften.
- Det er nødvendig å installere hovedbrytere i det faste elektriske systemet i samsvar med forskriftene om kabelsystemer.
- For apparat i klasse I, kontroller at hjemmets strømnnett er jordet.
- Koble kjøkkenviften til røykkanalen med et rør som har en diameter på min. 120 mm. Kanalen må være så kort som mulig.
- Ikke koble kjøkkenviften til røykkanaler for utslipp


av forbrenningsrøk (f.eks. fra kjeler, peiser, osv.).

- Hvis kjøkkenviften brukes sammen med apparater som ikke bruker strøm (f.eks. gassapparater), må det garanteres en god ventilasjon i rommet for å unngå retur av forbrenningsgassen. Når kjøkkenviften brukes sammen med apparater som ikke bruker strøm, må ikke det negative trykket i rommet overstige 0,04 mbar for å unngå en retur av røkene.
- Luften må ikke føres ut gjennom en røkkanal som brukes for røkutslipp fra apparater som fungerer med gass eller andre forbrenningsstoffer.
- Hvis nettkabelen skades, må den skiftes ut av produsenten eller servicesenteret.
- Sett støpslet inn i en lett tilgjengelig stikkontakt som er i samsvar med gjeldende bestemmelser.
- Følg nøye forskriftene fra

de lokale myndighetene vedrørende tekniske og sikkerhetsmessige tiltak for røkutslipp.

 **ADVARSEL:** Fjern beskyttelsesfilmene før kjøkkenviften installeres.


- Bruk kun skruer og beslag som passer til kjøkkenviften.

 **ADVARSEL:** Manglende installasjon av skruer eller beslag i samsvar med disse instruksjonene kan medføre risiko for elsjokk.

- Koble kjøkkenviften til strømnettet med en topolet bryter med en kontaktåpning på minst 3 mm.
- Ikke se mot lyset med optiske instrumenter (kikkert, forstørrelsesglass, osv.).
- Ikke flambér under kjøkkenviften, fordi en brann kan utvikles.
- Barn (over 8 år) eller personer med nedsatte fysiske, sensoriske eller

psykiske evner, eller personer uten erfaring og kunnskap må kun bruke apparatet dersom de får tilsyn eller opplæring i en sikker bruk av apparatet og farene knyttet til bruken. Ikke la barn leke med apparatet. Rengjøring og vedlikehold må ikke utføres av barn med mindre de er under tilsyn.

- Pass på at barn ikke leker med apparatet.
- Dette apparatet er ikke egnet til bruk av personer (inkl. barn) med nedsatte fysiske, sensoriske eller psykiske evner, eller personer uten erfaring og kunnskap i bruk av apparatet med mindre de er overvåket og opplært.

 De tilgjengelige delene kan bli veldig varme når platetopper/komfyrer er i bruk.

- Rengjør og/eller skift ut filtrene etter oppgitt intervall (brannfare).

- Det må være en god utlufting i rommet når kjøkkenviften brukes samtidig med apparater som fungerer med gass eller andre forbrenningsstoffer (gjelder ikke apparater som kun fører luften ut i lokalet).

Installasjon

Installasjonsmåte

Kjøkkenviften er utviklet for installasjon og bruk i "sugeversjon" eller "filtreringsversjon".

Sugeversjon (se symbolet i installasjonsinstruksjonene)

Dampen suges opp og føres ut av huset gjennom utløpsrør (følger ikke med) installert ved damputtaket på kjøkkenviften. Pass på at utløpsrøret er riktig installert på luftuttaket med et egnet koblingssystem.

Filtreringsversjon (se symbolet i installasjonsinstruksjonene)

Luften filtreres gjennom ett eller flere filter og føres deretter inn igjen i rommet.

Viktig: Pass på at det sirkulerer nok luft rundt kjøkkenviften.


Viktig: Hvis kullfiltrene ikke følger med kjøkkenviften, må filtrene bestilles og monteres før apparatet tas i bruk. Filtrene finnes i handelen.

Kjøkkenviften må installeres langt unna spesielt skitne områder, vinduer, dører og varmekilder.

Tilbehøret for veggmontering følger ikke med, fordi de varierer alt avhengig av veggtypen. Bruk festesystemer egnet til husveggen og apparatets vekt. Kontakt en spesialisert forhandler for flere opplysninger. Ta vare på veiledningen for fremtidig bruk.


Miljøaspekter

Kassering av husholdningsutstyr

- Symbolet  på produktet eller emballasjen betyr at produktet ikke må kastes sammen med vanlig husholdningsavfall. Produktet må leveres til et spesialisert gjenvinningsanlegg for elektriske og elektroniske komponenter. Ved å se til at dette produktet kasseres på skikkelig måte, vil du unngå potensielt negative konsekvenser for miljø og helse som kan oppstå ved upassende avfallshåndtering.

For mer detaljert informasjon om hvordan produktet skal resirkuleres bes man kontakte lokale myndigheter, lokalt avfallshåndteringsanlegg, eller stedet hvor produktet ble kjøpt.

Håndtering av emballasjemateriell

Materialer med symbolet  kan gjenvinnes. Emballasjemateriell må kastes i spesielle gjenvinningsbeholdere.

Rengjøring og vedlikehold

Bruk

- Slå av apparatet eller koble det fra strømmettet før vedlikehold.
- Kjøkkenviften må ikke brukes som støttehylle.
- Kjøkkenviften er kun utviklet til husholdningsbruk for å fjerne matos fra kjøkkenet.
- Bruk aldri kjøkkenviften til annet formål enn tiltenkt bruk.
- Pass på at det aldri er høye flammer under kjøkkenviften når den er i bruk.
- Reguler flammestyrken slik at flammen kun dekker grytebunnen, og ikke stikker utover kantene.
- Vær alltid veldig oppmerksom ved frityrsteking, fordi den varme oljen kan ta fyr.

Rengjøring og vedlikehold

- Fettfilter må rengjøres annenhver måned i oppvaskmaskin, eller eventuelt oftere hvis de er gjenstand for spesielt belastende drift, for slik å unngå potensielle brannfarer.
- De kan vaskes i oppvaskmaskin. Bruk kun en fuktig klut og et mildt flytende rengjøringsmiddel til rengjøringen av kjøkkenviften.

Rengjøring og vedlikehold av kullfilteret med lang levetid (grønt)

- Luktfilteret kan vaskes og regenereres hver 3. eller 4. måned (eller oftere ved hyppig bruk av kjøkkenviften), opp til maksimalt 8 regenereringssykluser (ved svært intens bruk anbefales det å ikke overstige 5 sykluser).

Fremgangsmåte for regenerering:

- Vask filteret i oppvaskmaskinen på MAX 70°, eller for hånd i varmt vann uten bruk av slipende svamper (ikke bruk oppvaskmidler!).
- Tørk i stekeovnen på MAX 70° i 2 timer (vi anbefaler å lese stekeovnens bruksveiledning og monteringsinstruksjoner nøye).

Skifte ut lamper

Bytte en lyspære Kontakt et autorisert servicesenter for byttet.

Produsent

Ikea Sverige AB - SE - 343 81 Älmhult, Sverige

Tilkobling til strøm

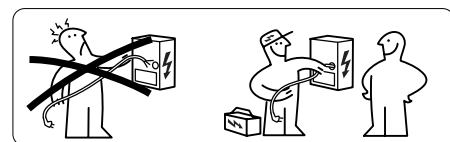


ADVARSEL: All tilkobling til strøm må gjøres av en autorisert installatør.

- Før det foretas oppkobling må man kontrollere at merkespenningen til apparatet som er gjengitt på merkeskiltet samsvarer med spenningen i anlegget.

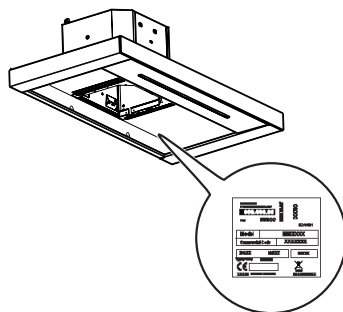


OB! Kablene må ikke sveises!



Merkeskilt

De tekniske dataene er oppført på typeskiltet festet på innsiden av apparatet.



IKEA GARANTI

Hvor lenge er IKEA garantien gyldig?

Denne garantien gjelder i fem (5) år fra opprinnelig kjøpedato hos IKEA. Den originale kvitteringen må fremlegges som kjøpsbevis. En reparasjon utført i garantiperioden forlenger ikke apparatets garantiperiode.

Hvem utfører service?

Kundeservicen garanteres av en serviceleverandør utnevnt av IKEA gjennom en egen organisasjon eller eget nett av autoriserte servicesentre.

Hva dekker garantien?

Garantien dekker feil og mangler ved apparatet som skyldes material- og produksjonsfeil, og gjelder fra og med kjøpsdato på IKEA. Garantien gjelder kun hvitevarer. Unntakene står angitt under overskriften "Hva dekkes ikke av garantien?". Innenfor garantiperioden vil serviceleverandøren utnevnt av IKEA dekke kostnader til utbedring av feil, f.eks. reparasjoner og deler samt arbeids- og reisekostnader, forutsatt at det er mulig å reparere apparatet uten urimelige kostnader. Disse vilkårene er i samsvar med EU-direktiv (99/44/EF) og anvendbare standarder og bestemmelser. De utskiftede delene tilfaller IKEA.

Hvordan gjør IKEA for å løse problemet?

Serviceleverandøren utnevnt av IKEA vil undersøke apparatet og etter eget skjønn avgjøre om problemet dekkes av IKEA garantien. Hvis det er tilfellet, vil serviceleverandøren utnevnt av IKEA eller dens autori-

serte servicesentre, etter eget skjønn avgjøre om det defekte apparatet skal repareres eller skiftes ut med et likt eller tilsvarende apparat.

Hva dekkes ikke av garantien?

- Normal slitasje.
- Bevisst misbruk eller skade. Skade som har oppstått som følge av ukorrekt bruk, montering eller installering, tilkobling til feil strømstyrke. Skade som følger av kjemisk eller elektrokjemisk reaksjon, rust, korrosjon eller vannskade, skadelig vannkvalitet (f.eks. høyt kalkinnhold). Skader som følger av unormale miljøvariabler.
- Forbruks- og slitedeler, som batterier eller lamper/lyspærer.
- Ikke-funksjonelle og dekorative deler som ikke påvirker apparatets normale bruk, herunder riper eller mulige fargeendringer.
- UHELLS-/ulykkeskade forårsaket av fremmedlegemer, eller av rengjøring eller eksponering av filtre, avløpssystemer eller såpeskuffer.
- Skade på følgende deler: keramisk glass, tilleggsutstyr, bestikkurver, utløps- og innløpsrør, lamper/pærer og deksler, skjermer, dørklinker, karmen og deler av karmen. Hvis det ikke kan bevises at disse skadene er blitt forårsaket av produksjonsfeil.
- Tilfeller der inspisierende reparatør ikke finner feil.
- Reparasjoner som ikke er utført av serviceleverandøren utnevnt av IKEA og/

eller et autorisert servicesenter, eller der ikke-originale deler er brukt.

- Reparasjoner som følge av feil installasjon eller installasjon som avviker fra anvisninger og spesifikasjoner.
- Bruk av apparatet utenfor hjemmet, for eksempel i profesjonell eller kommersiell sammenheng.
- Transportskader. Hvis kunden selv har stått for transporten frem til sitt hjem eller annet sted, kan ikke IKEA holdes ansvarlig for eventuelle skader som er oppstått under transporten. Hvis transporten frem til kundeadressen derimot er utført av IKEA, dekkes eventuelle transportskader av garantien.
- Første installasjonskostnader av IKEA apparatet. Hvis serviceleverandøren utnevnt av IKEA eller et autorisert servicesenter derimot utfører en reparasjon eller utskifting av apparatet i garantitiden, er det leverandøren eller servicesenteret som må gjeninstallere det reparerte apparatet eller eventuelt installere det nye apparatet.

Denne begrensningen gjelder ikke feilfritt arbeid utført av kvalifisert spesialist som bruker våre originaldeler for å tilpasse apparatet til tekniske sikkerhetsspesifikasjoner i et annet EU-land.

Anvendelse av nasjonalt regelverk

IKEA garantien gir kunden spesifikke juridiske rettigheter i tillegg til lovfestede rettigheter som varierer fra land til land. Disse betingelsene begrenser ikke på noen måte forbrukerrettighetene i gjeldende nasjonalt regelverk.

Gyldighetsområde

For apparater kjøpt i et EU-land og transportert til et annet EU-land, avhenger servicen av dette nye landets gjeldende regelverk. Kravet om å tilby service i henhold til garanti-vilkårene eksisterer kun hvis:

- apparatet er i samsvar og installert i henhold til de tekniske spesifikasjonene i landet hvor garantien skal anvendes,
- apparatet er i samsvar og installert i henhold til monterings- og sikkerhetsinstruksjonene i bruksveiledningen.

Ettersalgsservice for IKEA apparater:

Ikke nøl med å kontakte IKEA ettersalgsservice for å:

1. benytte deg av garantien,
2. be om oppklaringer for installasjon av IKEA apparater i innbyggingsmøbler fra IKEA. Du kan ikke kontakte ettersalgsservice for følgende:
 - installasjon av kjøkken fra IKEA,
 - elektrisk tilkobling (hvis apparatet er levert uten ledninger og støpsler), vann- og gasstilkobling som må utføres av en autorisert tekniker.
3. be om oppklaringer av innholdet i bruksveiledningen og spesifikasjoner om IKEA apparatet.

For å garantere best mulig service ber vi deg om å nøye lese monteringsinstruksjonene og/eller bruksveiledningen før du kontakter oss.

Hvordan kontakte oss hvis du trenger hjelp



Se siste side i denne veiledningen hvor det finnes en komplett liste over godkjente IKEA servicesenter med tilhørende nasjonale telefonnummer.

Viktig! For å garantere en raskere service anbefaler vi å bruke telefonnumrene på slutten av veiledningen. Når du kontakter kundeservice, må du alltid oppgi apparatets spesifikke koder som finnes i veiledningen. Før du kontakter oss må du sørge for å ha IKEA apparatets produktkode for hånd (8 tall).


Viktig! TA VARE PÅ KVITTERINGEN!


Den er kjøpsbeviset og må fremlegges for at garantien skal være gyldig. På kvitteringen finnes også navn og kode (8 tall) til IKEA apparatet du har kjøpt.

Trenger du mer hjelp?

For øvrige spørsmål som ikke er relatert til apparatets ettersalgsservice. Vennligst kontakt ditt nærmeste IKEA kundesenter. Vi anbefaler å lese apparatets dokumentasjon nøye før du kontakter oss.

Turvallisuustietoja

 Lue tämä käyttöopas huolellisesti ennen laitteen asentamista ja käyttöä oman turvallisuutesi ja laitteen oikean toiminnan takaamiseksi. Katso tarkasti tämän oppaan alussa olevia varoituskuvia. Oikeaoppista ja täydellistä asennusta varten tutustu tuotteen mukana toimitettuun erityiseen asennusoppaaseen. Pidä nämä ohjeet aina laitteen lähetyksillä, niiden täytyy seurata laitetta myös, jos se myydään tai luovutetaan kolmansille osapuolille. On tärkeää, että käyttäjät tuntevat laitteen toiminta- ja turvallisuusominaisuudet.

 Johtojen liitännän saa tehdä vain pätevä tekniikko.

- Valmistaja ei vastaa väärästä asennuksesta tai käytöstä aiheutuneista vahingoista.
- Liesitason ja liesituuletti-


men välinen vähimmäis-turvaetäisyys on 500 mm sähkökäyttöisen keittotason tapauksessa ja 650 mm kaasukäyttöisen keittotason tapauksessa.

- Jos kaasukäyttöisen keittotason asennusohjeet määräävät, että etäisyyden on oltava yllä mainittua suurempi, ohjeita on noudatettava.
- Tarkista, että sähköverkon jännite vastaa liesituulettimen sisällä olevan arvokilven tietoja.
- Erotuskytkimet on asennettava kiinteään järjestelmään kaapelointijärjestelmiä koskevien määräysten mukaisesti.
- Luokan I laitteita varten on tarkistettava, että kodin sähköverkossa on sopiva maadoitus.
- Liitä liesituuletin savuhormiin putkella, jonka läpimitta on vähintään 120 mm. Savun poistoreitin on oltava mahdollisimman lyhyt.


- Älä liitä liesituuletinta savukanaviin, joiden kautta poistetaan palamishöyryjä (esimerkiksi lämmityskattilat, takat jne.).
- Jos liesituuletinta käytetään yhdessä muiden kuin sähkölaitteiden (esimerkiksi kaasulaitteiden) kanssa, on pystytävä takaamaan riittävä huoneen tuuletus poisto kaasujen paluuvirtauksen estämiseksi. Kun liesituuletinta käytetään yhdessä muiden kuin sähkölaitteiden kanssa, huoneen negatiivinen paine ei saa ylittää 0,04 mbar, jotta liesituuletin ei palauta höyryjä huoneeseen.
- Ilmaa ei saa poistaa sellaisen putken kautta, jota käytetään kaasulla tai muilla polttoaineilla toimivien laitteiden savun imemiseen.
- Jos virtajohto vahingoittuu, sen saa vaihtaa vain valmistaja tai huoltopalvelun teknikko.
- Kytke pistoke voimassa olevien määräysten mu-

kaiseen ja saavutettavissa olevaan pistorasiaan.

- Savunpoistoa koskevien teknisten ja turvallisuuteen liittyvien toimenpiteiden suhteen on noudatettava tarkkaan paikallisten viranomaisien antamia määräyksiä.

 **VAROITUS:** Poista suojakalvot ennen liesituulettimen asentamista.

- Käytä vain liesituulettimelle sopivia ruuveja ja kiinnitysosia.

 **VAROITUS:** Jos ruuveja ja kiinnitysosia ei asenneta näiden ohjeiden mukaisesti, voi aiheutua sähköiskuvaara.

- Kytke liesituuletin sähköverkkoon asentamalla kaksinapainen kytkin, jonka koskettimien väli on vähintään 3 mm.
- Älä katso suoraan optisilla välineillä (kiikari, suurenneuslasi....).
- Älä liekitä liesituulettimen alla: se voi aiheuttaa tulipalon.

- Yli 8-vuotiaat lapset ja psyykkisesti, fyysisesti tai sensorisesti rajoitteiset henkilöt tai kokemattomat ja taitamattomat henkilöt saavat käyttää tätä laitetta vain, jos heitä valvotaan ja heille on annettu tiedot laitteen turvallisesta käytöstä ja siihen liittyvistä vaaroista. Varmista, etteivät lapset pääse leikkimään laitteella. Lapset eivät saa tehdä käyttäjän puhdistus- ja huoltotoimenpiteitä ilman valvontaa.
 - Valvo lapsia ja varmista, etteivät he pääse leikkimään laitteella.
 - Tätä laitetta eivät saa käyttää henkilöt (lapset mukaan lukien), joiden mielen, ruumiin tai aistien terveys on heikentynyt tai joilla ei ole riittävästi kokemusta ja tietoa, ellei heitä valvota tai ole valmennettu
- den käytön aikana.
- Puhdista ja/tai vaihda suodattimet määrätyn ajan kuluttua (tulipalovaara).
 - Tilassa täytyy olla asianmukainen tuuletus kun liesituuletinta käytetään samanaikaisesti kaasulla tai muilla polttoaineilla toimivien laitteiden kanssa (ei koske laitteita, jotka poistavat tilaan vain ilmaa).



Kosketettavissa olevat osat voivat tulla hyvin kuumiksi keittolaittei-

Asennus

Asennustavat

Liesituuletin on suunniteltu asennettavaksi ja käytettäväksi imuversiona tai ilmankiertoversiona.

Imuversio (katso merkkiä asennusohjeissa)

Ruoanlaitosta tuleva höyry imetään ja johdetaan asunnon ulkopuolelle poistoputken (ei toimitettu) kautta, joka asennetaan liesituulettimen höyryn ulostuloon.

Varmista, että poistoputki on asennettu oikein ilman ulostuloon ja on käytetty asianmukaista liitosta.

Ilmankiertoversio (katso merkkiä asennusohjeissa)

Ilma suodatetaan yhdellä tai useammalla suodattimella ja johdetaan sitten takaisin huoneeseen.

Tärkeää: Varmista, että ilma kiertää oikein liesituulettimen ympärillä.


Tärkeää: Jos liesituulettimessa ei ole hiilisuodattimia, suodattimet täytyy tilata ja asentaa ennen laitteen käyttämistä. Suodattimia löytyy kaupoista. Liesituuletin täytyy asentaa etäälle erityisen likaisista alueista, ikkunoista, ovista ja lämmönlähteistä.

Tarvikkeet seinään kiinnittämistä varten eivät kuulu toimitukseen, koska ne vaihtelevat seinän materiaalista riippuen. Käytä asunnon seinämateriaalille ja laitteen painolle sopivia kiinnitysjärjestelmiä. Lisätietoja saat jälleenmyyjän erikoisliikkeestä.

Säilytä nämä ohjeet tulevaa käyttöä varten.

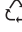
Ympäristöä koskevat huomiot

Kodinkoneiden hävittäminen

- Tuotteessa tai sen pakkauksessa oleva merkintä  tarkoittaa, että sitä ei saa hävittää tavallisen kotitalousjätteen mukana. Tuote tulee hävittää sähkö- ja elektorniikkaosiin erikoistuneessa kierrätyskeskuksessa. Kun varmistat, että tuote hävitetään oikeaoppisesti, autat ennaltaehkäisemään virheellisestä hävittämisestä koituvat kielteiset seuraamukset ympäristölle ja terveydelle.

Jos tahdot tietää lisää tämän tuotteen kierrättämisestä, ota yhteyttä kuntasi viranomaisiin, paikalliseen jätehuoltopalveluun tai myymälään, josta ostit tuotteen.

Pakkausmateriaalien hävittäminen

Materiaalit, joissa on symboli , voidaan kierrättää. Hävitä pakkausmateriaalit viemällä ne kierrätysastioihin.

Puhdistus ja huolto

Käyttö

- Sammuta laite tai kytke se irti sähköverkosta ennen minkään huoltotoimenpiteen aloittamista.
- Liesituuletinta ei saa käyttää alustana.
- Liesituuletin on suunniteltu ainoastaan kotitalouskäyttöön, keittiön hajujen poistamiseen.
- Älä koskaan käytä liesituuletinta muuhun tarkoitukseen kuin siihen, mitä varten se on suunniteltu.
- Älä koskaan pidä korkeita liekkiä toiminnassa olevan liesituulettimen alla.
- Säädä liekkien koko sillä tavoin, että ne kohdistuvat vain kypsennysastian pohjaan. Varmista, etteivät liekit tule astian reunojen alta.
- Rasvakeittimiä on valvottava jatkuvasti käytön aikana: ylikuumentunut öljy voi syttyä palamaan.

Puhdistus ja huolto

- Rasvasuodattimet tulee puhdistaa 2 käyttökuukauden välein tai useammin raskaan käytön tapauksessa. Näin voit välttää mahdollisen tulipalovaaran. Suodattimet voidaan pestä astianpesukoneessa.
- Puhdista liesituuletin kostealla liinalla ja neutraalilla pesunesteellä.

Pitkäkestoisen hiilisuodattimen (vihreä) puhdistus ja huolto

- Hajusuodatin voidaan pestä ja regeneroida 3–4 kuukauden välein (tai useammin, jos liesituuletinta käytetään paljon), enintään 8 uudistuskertaa (jos liesituuletinta käytetään paljon, on suositeltavaa, ettei ylitetä 5 kertaa).

Regenerointimenettely:

- Pese astianpesukoneessa enintään 70°:n lämpötilassa tai käsin lämpimässä vedessä. Älä käytä hankaussieniä (äläkä pesuaineita!).
- Kuivaa uunissa enintään 70°:n lämpötilassa 2 tunnin ajan (on suositeltavaa lukea huolellisesti uunin käyttöopas ja asennusohjeet).

Lamppujen vaihtaminen

Vaihtamista varten ota yhteys valtuutettuun huoltopalveluun.

Valmistaja

Ikea of Sweden AB - SE - 343 81 Älmhult, Ruotsi

Sähköliitännät

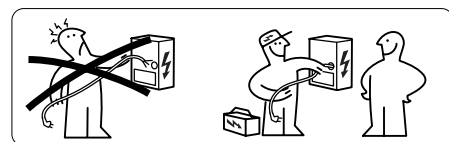


VAROITUS: Kaikki sähköliitännät edellyttävät valtuutettua asentajaa.

- Ennen liitännöitä tarkista, että laitteen nimellisjännite, joka on kerrottu arvokilvessä, vastaa verkkojännitettä.

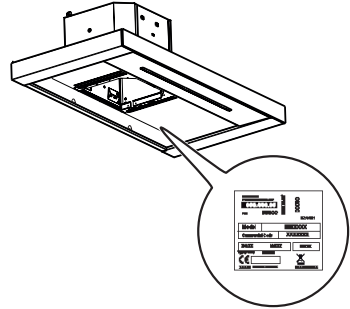


Varovaisuutta! Älä hitsaa mitään johtoa!



Arvokilpi

Tekniset tiedot löytyvät laitteen sisään kiinnitetystä kilvestä.



IKEA-TAKUU

Kauanko IKEA-takuu on voimassa?

Tämä takuu on voimassa viisi (5) vuotta tuotteen alkuperäisestä IKEA:sta ostopäivästä. Ostodistiseksi vaaditaan alkuperäinen kuitti. Takuuaikana tehdyt korjaukset eivät pidennä laitteen takuuaikaa.

Kuka hoitaa huoltopalvelun?

Huollosta vastaa IKEAn nimeämä palveluntarjoaja oman organisaationsa tai valtuutettujen huoltoliikkeiden verkon kautta.

Mitä takuu kattaa?

Takuu kattaa mahdolliset materiaali- ja valmistusvirheet. Takuu astuu voimaan tuotteen alkuperäisenä IKEA-myyntipisteestä ostopäivänä. Takuu koskee ainoastaan kotikäytössä olevia tuotteita. Poikkeukset on lueteltu kohdassa "Mitä tämä takuu ei kata?". Takuuaikana IKEAn nimeämä palveluntarjoaja vastaa vian korjaamisen aiheuttamista kustannuksista, kuten korjaustyöt, osat ja työ- ja matkakustannukset edellyttäen, että tuotteen korjaaminen ei aiheuta erityiskustannuksia. Nämä ehdot vastaavat Euroopan parlamentin ja neuvoston direktiiviä (Nro 99/44/EY) ja sovellettavia paikallisia normeja ja säännöksiä. Vaihdetuista osista tulee IKEAn omaisuutta.

Miten IKEA ratkaisee ongelman?

IKEAn nimeämä palveluntarjoaja tutkii tuotteen ja päättää täysin oman harkintansa mukaan, kattaako IKEA-takuu tuotteessa esiintyvän vian. Jos takuu kattaa vian, IKEAn nimeämä palveluntarjoaja tai sen valtuutta-

ma huoltoliike joko korjaa viallisen tuotteen tai vaihtaa sen samanlaiseen tai vastaavaan tuotteeseen oman harkintansa mukaan.

Mitä takuu ei kata?

- Normaali kuluminen.
- Vika, joka aiheutuu tahallisen teosta, käyttöohjeiden noudattamisen laiminlyönnistä, väärästä asennuksesta tai yhdistämisestä väärään jännitteeseen. Vika, joka aiheutuu kemiallisesta tai sähkö-kemiallisesta reaktiosta, ruosteesta, korroosion tai vesivahingosta, vesijohtojen veden liiasta kalkkipitoisuudesta aiheutuvat vahingot mukaan lukien. Ilmastotekijöistä ja luonnonilmiöistä aiheutuneet vahingot.
- Kulutusosat, kuten paristot ja lamput.
- Ei-toiminnalliset ja koristeelliset osat, jotka eivät vaikuta laitteen normaaliin käyttöön, kuten naarmut tai värerot.
- Vika, joka on aiheutunut vieraasta esineestä tai aineista tai suodattimien, vedenpoistojärjestelmien tai pesuainekoteloiden puhdistamisesta tai niissä olevien tukosten poistamisesta.
- Seuraavissa osissa esiintyvä vika: lasike-raaminen pinta, lisävarusteet, astia- ja ruokailuvälinekorit, tulo- ja poistoputket, tiivisteet, lamput ja niiden suojuukset, näytöt, kytkimet, kuoret ja niiden osat. Lukuun ottamatta tapauksia, joissa on todistettu vian johtuvan valmistusvirheestä.
- Tapaukset, joissa tuotteesta ei huolto-käynnillä löydy vikaa.
- Korjaustyöt, joita ei ole suorittanut IKEAn nimeämä palveluntarjoaja tai sen valtuut-

tama huoltoliike tai korjaukset, joissa on käytetty muita kuin alkuperäisiä osia.

- Korjaustyöt, jotka johtuvat siitä, että tuote on asennettu väärin tai ohjeiden vastaisesti.
- Laitteen käyttäminen muussa kuin yksityiskäytössä, esimerkiksi ammattimaisessa tai kaupallisessa käytössä.
- Kuljetuksen aiheuttamat viat. Jos asiakas on kuljettanut tuotteen kotiinsa tai muuhun osoitteeseen, IKEA ei ole vastuussa mahdollisista kuljetuksen aikana aiheutuneista vahingoista. Jos IKEA kuitenkin on kuljettanut tuotteen asiakkaalle, mahdolliset kuljetuksen aikana aiheutuneet vahingot kuuluvat takuun piiriin.
- IKEA-laitteen ensimmäisen asennuksen kustannukset. Jos kuitenkin IKEAn nimeänä palveluntarjoaja tai sen valtuuttama huoltoliike tekee korjauksen tai vaihtaa laitteen takuuajana, palveluntarjoajan tai sen valtuuttaman huoltoliikkeen on myös tarvittaessa suoritettava korjatun ja vaihdetun laitteen uudelleenasennus.

Nämä rajoitukset eivät koske pätevän henkilökunnan ammattisääntöjen mukaisesti ja alkuperäisiä varaosia käyttäen tekemää laitteen mukauttamista toisen EU-maan turvallisuusnormeihin.

Kansallisten lakien soveltaminen

IKEA-takuu antaa asiakkaalle erityisiä laillisia oikeuksia lakisäästeiden eri maissa vaihtelevien oikeuksien lisäksi. Nämä ehdot eivät kuitenkaan millään tavoin rajoita paikallisen lainsäädännön määrittelemiä kuluttajan oikeuksia.

Voimassaoloalue

EU-maassa ostetuille, toiseen EU-maahan siirretyille laitteille tarjotaan palvelut uudessa maassa sovellettavissa olevien takuehtojen mukaisesti. Velvollisuus tarjota palvelu takuun ehtojen mukaisesti on olemassa vain jos:

- laite on vaatimusten mukainen ja se on asennettu sen maan teknisten erittelyjen mukaisesti, jossa takuuta haetaan;
- laite on vaatimusten mukainen ja se on asennettu asennusohjeiden ja käyttöoppaan turvallisuustietojen mukaisesti.

IKEA-laitteiden myynnin jälkeinen huoltopalvelu:

Voit ottaa yhteyttä IKEAn myynnin jälkeiseen huoltopalveluun kun haluat:

1. tehdä huoltopyynnin tämän takuun puitteissa;
 2. kysyä selvästä neuvoa IKEA-laitteen asentamisessa IKEA:n keittiökalusteisiin.
 - Palvelu ei avusta eikä anna lisätietoja:
 - IKEA-keittiöiden asentamisessa;
 - sähköliitännöissä (jos laite on toimitettu ilman johtoja ja pistokkeita), vesijohto- ja kaasulaitteistolitännöissä, jotka täytyy antaa valtuutetun huoltoteknikon tehtäväksi.
 3. pyytää lisätietoja käyttöoppaasta ja IKEA-laitteen teknisistä tiedoista.
- Parhaan palvelun takaamiseksi lue huolellisesti Asennusohjeet ja/tai Käyttöopas ennen kuin otat yhteyttä.

Miten ottaa yhteyttä, jos tarvitset teknikon apua



Katso IKEA:n palveluntarjoajien luettelo tämän käyttöoppaan viimeisellä sivulla, jolla ovat maakohtaiset puhelinnumerot.

Tärkeää! Nopeamman palvelun takaamiseksi on suositeltavaa käyttää tämän käyttöoppaan lopussa lueteltuja puhelinnumeroita. Kun kutsut huoltoteknikon mainitse aina laitteen koodit, jotka löytyvät tästä käyttöoppaasta. Ennen huoltoteknikon kutsumista varmista, että sinulla on käsillä korjausta vaativan laitteen IKEA-tuotekoodi (8 numeroa).

Tärkeää! SÄILYTÄ KUITTI!

Kassakuitti on todisteesi ostosta ja edellytys takuun voimassaololle. Kuitissa näkyvät myös ostamasi IKEA-laitteen nimi ja koodi (8 numeroa).

Tarvitsetko lisäapua?

Jos sinulla on kysyttävää, joka ei liity laitteitteesi jälkimyyntiin. Soita lähimpään IKEA:n tukeen. Suosittelemme laitteen asiakirjojen huolellista lukemista ennen yhteyden ottamista.

Säkerhetsinformation


-  För din säkerhet och korrekt funktion av apparaten ber vi dig läsa denna bruksanvisning noggrant innan apparaten installeras och tas i bruk. Se noggrant varningsbilderna i början av denna manualen. För en korrekt och fullständig installation hänvisas till den specifika installationsmanualen som medföljer produkten. Förvara alltid denna bruksanvisning tillsammans med apparaten, så att du kan lämna över den till eventuell ny ägare. Det är viktigt att användarna känner till apparatens samtliga funktions- och säkerhetsegenskaper.
-  Anslutningen av kablarna ska utföras av en behörig tekniker.
- Tillverkaren ansvarar inte för eventuella skador som orsakas av felaktig installation eller användning.
 - Det minimala säkerhetsavståndet mellan spishällen och spisfläkten är: för elektrisk häll 500 mm och för gashäll 650 mm.
 - Om installationsanvisningarna för gasspishällen anger ett större avstånd än det ovan angivna, måste det beaktas.
 - Kontrollera att nätspänningen motsvarar den som anges på märkplåten inuti köksfläkten.
 - Det är nödvändigt att installera frånskiljare i det fasta elsystemet i enlighet med kabeldragningsbestämmelserna.
 - För apparater i klass I, säkerställ att bostadens elsystem har en lämplig jordanslutning.
 - Anslut köksfläkten till imkanalen med ett rör med min. diameter på 120 mm. Sträckan där matos avleds ska vara så kort

som möjligt.


- Anslut inte köksfläkten till rökgaskanaler för förbränningsrök (från värmepannor, öppna spisar o.s.v.).
- Om köksfläkten används i kombination med andra apparater som inte är eldrivna (t.ex. gasdrivna apparater), ska du sörja för tillräcklig ventilation av lokalen för att förhindra returflöde av förbränningsgas. När köksfläkten används i kombination med andra apparater som inte är eldrivna, får lokalens negativa lufttryck inte överskrida 0,04 mbar för att förhindra att rök sugas tillbaka in i lokalen via köksfläkten.
- Luftutsläppet får inte ske genom en rökgaskanal som används av gasdrivna eller andra bränsleladdade apparater.
- Om elkabeln skadas, ska den bytas ut av tillverkaren eller av en servicetek-

niker.

- Anslut stickkontakten till ett lättillgängligt vägguttag som är i överensstämmelse med gällande bestämmelser.
- Följ noggrant föreskrifterna från de lokala myndigheterna när det gäller de tekniska och säkerhetsmässiga åtgärder som ska vidtas för avledning av rök.

 **VARNING:** Ta bort skyddsfilmerna innan du installerar köksfläkten.

- Använd endast skruvar och beslag som är lämpliga för köksfläkten.

 **VARNING:** Om det inte installeras skruvar och beslag som överensstämmer med dessa anvisningar kan det leda till risk för elektrisk stöt.

- Anslut köksfläkten till elnätet genom att använda en tvåpolig brytare som har min. 3 mm kontaktav-

stånd.

- Titta inte direkt med optiska instrument (kikare, förstoringsglas o.s.v.).
- Flambera inte under köksfläkten. Det finns risk för eldsvåda.
- Denna apparat får användas av barn (över 8 år), personer med nedsatt fysisk, sensorisk eller mental funktionsförmåga eller personer som saknar erfarenhet eller kunskap om hur den används, under förutsättning att de övervakas av någon som kan ansvara för deras säkerhet eller som har lärt dem hur apparaten används på ett säkert sätt och gjort dem medvetna om riskerna. Barn får inte leka med apparaten. Rengöring och underhåll får inte utföras av barn utan tillsyn av en vuxen.
- Håll barn under uppsikt så att de inte leker med apparaten.
- Denna apparat får inte

användas av personer (inkl. barn) med nedsatt fysisk, sensorisk eller mental funktionsförmåga eller personer som saknar erfarenhet eller kunskap om hur den används, om de inte övervakas och instrueras.



De åtkomliga delarna kan bli mycket varma under användningen av matlagningsapparater.

- Rengör och/eller byt ut filtren efter den angivna tidsperioden (brandrisk).
- Lokalen måste ha lämplig ventilation när köksfläkten används samtidigt med andra apparater som använder gas eller andra bränslen (gäller inte apparater som endast släpper ut luft i lokalen).

Installation

Installationssätt

Köksfläkten har konstruerats för installation och användning med "frånluftsfunktion" eller "återcirkuleringsfunktion".

Frånluftsfunktion (se symbolen i installationsanvisningarna)

Matlagningsången sugs in och avleds utanför bostaden genom en imkanal (medföljer ej) som ska installeras på köksfläktens ångutsläpp.

Säkerställ att imkanalen installeras korrekt på luftutsläppet med hjälp av ett lämpligt anslutningssystem.

Återcirkuleringsfunktion (se symbolen i installationsanvisningarna)

Luften filtreras genom ett eller flera filter och leds därefter tillbaka ut i lokalen.

Viktigt: Säkerställ att det finns tillräckligt med luftcirkulation runt köksfläkten.

Viktigt: Om det inte medföljer kolfilter till köksfläkten, måste filtren beställas och monteras innan apparaten används. Filtren finns i handeln.


Köksfläkten ska installeras långt från speciellt smutsiga områden, fönster, dörrar och värmekällor.

Tillbehören för väggmontering ingår inte eftersom de varierar beroende på väggmaterialet. Använd lämpliga fästsystem för väggarna i din bostad och apparatens vikt. Kontakta en specialiserad återförsäljare för ytterligare upplysningar.

Förvara denna bruksanvisning för framtida konsultation.


Miljöaspekter

Avyttring av hushållsapparater

- Symbolen  på produkten eller dess förpackning indikerar att produkten inte får avyttras som normalt hushållsavfall. Produkten måste lämnas till ett återvinningscenter för elektriska och elektroniska komponenter för avyttringen. Genom att se till att denna produkt avyttras ordentligt, bidrar du till att undvika möjliga negativa följor för miljön och för hälsan som kan uppstå från oriktig avfallshantering.

För mer detaljerad information om hur denna produkt ska återvinnas, kontakta dina lokala kommunala kontor, lokala avfallsstationer eller affären där produkten inköptes.

Avyttring av förpackningsmaterial

Material med symbolen  kan återvinnas. Avyttra förpackningsmaterial i särskilda uppsamlingsstunnor för återvinning.

Rengöring och underhåll

Användning

- Stäng av eller frånkoppla apparaten från elnätet före underhåll.
- Köksfläkten får inte användas som stödplan.
- Köksfläkten har uteslutande konstruerats för hushållsbruk för att avlägsna matos i köket.
- Använd aldrig köksfläkten för andra ändamål än vad den är konstruerad för.
- Se till att det aldrig uppkommer höga lågor under köksfläkten när den är igång.
- Justera lågans styrka så att den endast vidrör kokkärllets botten och inte slickar utmed dess sidor.
- Fritöserna ska kontrolleras hela tiden under användningen. Den överhettade oljan kan ta eld.

Rengöring och underhåll

- Fettfilter måste rengöras efter varannan månads användning, eller oftare för särskilt intensiv användning, för att undvika potentiella brandfaror. De kan diskas i diskmaskinen.
- Rengör köksfläkten med en mjuk trasa och ett mildt flytande rengöringsmedel.

Rengöring och underhåll av kolfilter med lång livslängd (grönt)

- Luktfiltret kan diskas och regenereras var 3:e till 4:e månad (eller oftare vid intensiv användning av köksfläkten) upp till max. 8 regenereringscykler (vid mycket intensiv användning rekommenderas det att inte överskrida 5 cykler).

Regenereringsprocedur:

- Diska i diskmaskin på MAX. 70 °C eller för hand i varmt vatten utan att använda repande svampar (använd inte diskmedel!).
- Torka i ugn på MAX. 70 °C i 2 timmar (det rekommenderas att noggrant läsa ugnens bruksanvisning och monteringsanvisningar).

Byte av glödlampor

Kontakta en auktoriserad serviceverkstad för byte.

Tillverkare

Ikea of Sweden AB - SE - 343 81 Älmhult, Sverige

Elanslutning

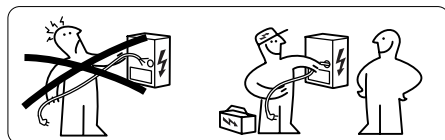


WARNING: Alla elanslutningar måste utföras av en behörig installatör.

- Innan anslutningar görs, kontrollera att märkspänningen på apparaten som indikeras på märkplåten motsvarar nätspänningen.

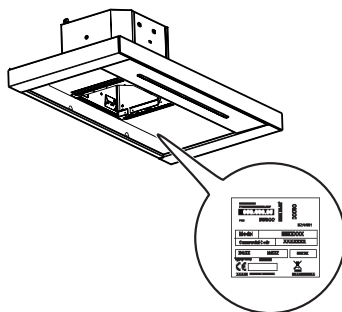


Försiktigt! Svetsa inte någon av kablarna!



Märkplåt

Tekniska data anges på märkplåten som är placerad inuti apparaten.



IKEA GARANTI

Hur länge gäller IKEA garantin?

Denna garanti gäller i fem (5) år fr.o.m. det ursprungliga datumet för inköpet på IKEA. Originalkvitto krävs som inköpsbevis. En reparation som utförs under garantin förlänger inte garantiperioden för apparaten.

Vem utför service?

Kundservicen utförs av serviceföretaget som utses av IKEA:s serviceorganisation eller av dess nätverk av auktoriserade servicepartners.

Vad omfattas av garantin?

Garantin omfattar eventuella material- och/eller konstruktionsfel hos apparaten och gäller fr.o.m. datumet för inköpet av apparaten på ett av IKEA:s försäljningsställen. Garantin gäller endast för apparater som är avsedda för hushållsbruk. Undantagen beskrivs i punkt "Vad omfattas inte av garantin?" Under garantiperioden står serviceföretaget som utses av IKEA för reparations-, reservdels-, arbets- och resekostnaderna för underhållspersonalen under förutsättning att apparaten kan repareras utan alltför höga kostnader. Dessa villkor är i överensstämmelse med EU-direktiven (99/44/EG) och lokala tillämpliga standarder och bestämmelser. Utbytta delar tillfaller IKEA.

Hur gör IKEA för att åtgärda problemet?

Serviceföretaget som utses av IKEA undersöker apparaten för att, helt efter eget gottfinnande, fastställa om den omfattas av IKEA garantin. Om så är fallet bestämmer serviceföretaget som utses av IKEA eller en av dess auktoriserade servicepartners, helt efter eget gottfinnande, om

den defekta apparaten ska repareras eller bytas ut mot en likadan eller likvärdig apparat.

Vad omfattas inte av garantin?

- Normalt slitage.
- Skador som orsakas medvetet, skador som orsakas av försummelse av bruksanvisningen, av en felaktig installation eller till följd av anslutning till fel matningsspänning. Skador som orsakas av kemiska eller elektrokemiska reaktioner, rost, korrosion eller skador som orsakas av vatten, inklusive skador som orsakas av att det förekommer mycket kalk i vattenledningarna. Skador som orsakas av naturliga väderfenomen.
- Förbrukningsdelar, t.ex. batterier och glödlampor.
- Dekorativa och icke-funktionella delar som inte påverkar den normala användningen av apparaten, t.ex. repor och färgförändringar.
- Oavsiktliga skador som orsakas av främmande ämnen eller föremål och rengöring eller borttagning av filter, tömningssystem eller diskmedelsfack.
- Skada på följande delar: keramikglas, tillbehör, porslins- och bestickklådor, matnings- och avtappningsrör, tätningar, lampor och lampskydd, skärmar, vred, kåpor och delar av kåpor. Om inte dessa skador kan bevisas ha orsakats av produktionsfel.
- Fall då det inte har upptäckts defekter vid besöket av en tekniker.
- Reparationer som inte har utförts av serviceföretaget som utses av IKEA eller en av dess auktoriserade servicepartners eller reparationer vid vilka det inte har använts originalreservdelar.

- Reparationer som orsakas av en felaktig installation eller som inte är i överensstämmelse med specifikationerna.
- Användning av apparaten för andra ändamål än hushållsbruk, t.ex. professionellt eller kommersiellt bruk.
- Transportskador. Vid transport som utförs av kunden till den egna bostaden eller en annan leveransadress ansvarar inte IKEA för eventuella skador som uppstår under transporten. Om transporten till kundens leveransadress däremot utförs av IKEA omfattas eventuella transportskador av denna garanti.
- Inledande installationskostnad för apparaten från IKEA. Om ett serviceföretag som utses av IKEA eller en av dess auktoriserade servicepartners däremot utför en reparation eller ett utbyte av apparaten under garantin, ska serviceföretaget eller servicepartnern även stå för återinstallationen av den reparerade apparaten eller installationen av den utbytta apparaten, när så erfordras.

Dessa begränsningar gäller inte för arbeten som utförs fackmässigt av kvalificerad personal och med originalreservdelar för att anpassa apparaten till säkerhetsstandarderna i ett annat EU-land.

Tillämplighet av nationella lagar

IKEA garantin ger kunden specifika lagliga rättigheter i tillägg till de lagstadgade rättigheter som kan variera mellan olika länder. Dessa villkor begränsar däremot inte på något sätt konsumenträttigheterna som fastställs av lokal lagstiftning

Giltighetsområde

Vid apparater som köps i ett EU-land och förflyttas till ett annat EU-land erbjuds service utifrån de garantivillkor som är tillämpliga i det nya landet. Skyldighet att erbjuda service utifrån garantivillkoren föreligger endast om:

- Apparaten är i överensstämmelse med och har installerats enligt de tekniska specifikationerna i det land i vilket garantianspråk görs.
- Apparaten är i överensstämmelse med och har installerats enligt monteringsanvisningarna och säkerhetsinformationen i bruksanvisningen.

Kundservice för apparater från IKEA:

Tveka inte att kontakta IKEA Kundservice för att:

1. Utnyttja garantin.
2. Be om förtydliganden om installationen av apparaterna från IKEA i de specifika inbygg-

nadsskåpen från IKEA. Kundservice erbjuder inte hjälp eller förtydliganden avseende:

- Installation av kompletta kök från IKEA.
 - Elanslutningar (om apparaten levereras utan kablar och stickkontakter), vattenanslutningar och anslutningar till gassystemet som ska utföras av en auktoriserad servicetekniker.
3. Be om förtydliganden om innehållet i bruksanvisningen och specifikationerna för apparaten från IKEA.

För att garantera bästa möjliga service ber vi dig att noggrant läsa igenom monteringsanvisningarna och/eller bruksanvisningen innan du kontaktar oss.

Hur du kontaktar oss om du behöver vår service



Se sista sidan i denna bruksanvisning för en fullständig lista över IKEA:s auktoriserade serviceverkstäder och motsvarande nationella telefonnummer.

Viktigt! För att garantera en snabbare service rekommenderar vi att du använder de telefonnummer som listas i slutet av denna bruksanvisning. I samband med en serviceförfrågan ska du alltid uppgge apparatens specifika koder som anges i denna bruksanvisning. Se till att ha IKEA produktkoden (8 siffror) till handa för den apparat som serviceförfrågan avser innan du kontaktar oss.

Viktigt! BEHÅLL KVITTOT!


Det är inköpsbeviset och det är nödvändigt att visa upp det för att utnyttja garantin. På kvittot står även namnet och koden (med 8 siffror) för den inköpta apparaten från IKEA.

Behöver du någon annan hjälp?

För alla ytterligare frågor som inte rör efterförsäljning av dina apparater. Kontakta närmaste IKEA-filials teletjänstcentral. Vi rekommenderar att du noggrant läser apparatens dokumentation innan du kontaktar oss.

Öryggisupplýsingar

ⓘ Til að tryggja öryggi þitt og rétta notkun tækisins skaltu lesa þessa handbók vandlega áður en þú tekur tækið í notkun. Skoðið vandlega viðvörunarmyndirnar í upphafi þessarar handbókar. Hafið uppsetningarhandbókina sem fylgir vörunni til hliðsjónar fyrir rétta og fullkomna uppsetningu. Geymið þessar leiðbeiningar ávallt með tækinu, einnig ef það er fært til eða selt. Notendur verða að vita fullkomlega hvernig nota á tækið og öryggisbúnað þess.

 Tengingar skulu gerðar af sérhæfðum tæknimanni.

- Framleiðandinn verður ekki ábyrgur fyrir tjóni sem stafar af rangri eða ófullkominni uppsetningu.
- Lágmarks öryggisfjarlægð á milli eldavélar og

eldavélarháfs er: fyrir rafmagnshellu 500 mm og gashellu 650 mm.


- Ef leiðbeiningar um uppsetningu fyrir gashelluna tilgreina meiri fjarlægð skal virða það.
- Gakktu úr skugga um að netspennan samsvari þeirri sem gefin er upp á merkiplötunni sem er fest inni í háfinum.
- Möguleikar á aftengingu verða að vera felldar inn í föstu raflögnina í samræmi við raflagnarreglurnar.
- Að því er varðar tæki í flokki I skaltu ganga úr skugga um að aflagjafi heimilisins tryggji fullnægjandi jarðtengingu.
- Tengdu útsogsbúnaðinn við útsogsrás með röri með að lágmarki 120 mm þvermál. Útsogsrásin verður að vera eins stutt og mögulegt er.
- Tengdu ekki háfinn við

útsogsbarka sem flytja reyk frá bruna (kötlum, eldstæðum o.s.frv.).


- Ef útsogsbúnaðurinn er notaður ásamt tækjum sem ekki eru rafmagnstæki (t.d. gasbrennandi tæki), verður að tryggja nægilegt loftun í herberginu til að koma í veg fyrir bakflæði útblásturslofts. Þegar eldavélarháfur er notaður ásamt tækjum sem knúnir eru annarri orku en rafmagni má undirþrýstingurinn í herberginu ekki vera meiri en 0,04 mbar til að koma í veg fyrir að gufur dragist inn í herbergið með háfinum.
- Ekki má hleypa loftinu út í rás sem er notuð fyrir útblástursloft frá tækjum sem brenna gasi eða öðru eldsneyti.
- Ef rafmagnssnúran er skemmd verður að skipta um hana af framleiðanda

eða þjónustuaðila hans.

- Tengdu klóna við innstungu sem er í samræmi við gildandi reglur og er staðsett á aðgengilegum stað.
- Að því er varðar tækni- og öryggisráðstafanirnar sem gera skal við losun gufu er mikilvægt að fylgja nákvæmlega staðbundnum reglum.

 **VIÐVÖRUN:** Fjarlægðu hlífðarfilmurnar áður en þú setur háfinn upp.

- Notaðu aðeins skrufur og litla hluti til að styðja við háfinn.

 **VIÐVÖRUN:** Ef skrufur eða festibúnaður er ekki uppsettur í samræmi við þessar leiðbeiningar getur það valdið rafmagnshættu.

- Tengdu hettuna við rafmagnsnetið með því að nota tvískautsrofa sem hefur að minnsta kosti 3 mm snertibil.
- Horfðu ekki beint á ljósið í gegnum sjóntæki

(sjónauka, stækkunargler ...).

- Flamberaðu ekki undir háfnum; eldhætta.
- Börn eldri en 8 ára geta notað þennan og einstaklingar með skerta líkamlega, skynræna eða andlega getu eða skort á reynslu og þekkingu ef þau hafa fengið tilsögn eða leiðbeiningar varðandi notkun búnaðarins á öruggan hátt og skilja þá hættu sem fylgja notkun. Börn skulu ekki leika sér með búnaðinn. Börn skulu ekki sinna þrifum og viðhaldi án umsjónar.
- Börn skulu fá leiðbeiningar til að tryggja að þau leiki sér ekki með búnaðinn.
- Einstaklingar (þar með talið börn) með skerta líkamlega, skynræna eða andlega getu eða skort á reynslu og þekkingu, mega ekki nota búnaðinn nema þeir hafi fengið

umsjón eða leiðbeiningar



Aðgengilegir hlutar geta orðið heitir þegar þeir eru notaðir með eldunartækjum.

- Hreinsaðu og/eða skiptu um síurnar eftir tilgreint tímabil (eldhætta).
- Loftræsting skal vera fullnægjandi í herberginu þegar háfurinn er notaður um leið og tæki sem brenna gasi eða öðru eldsneyti (á ekki við um tæki sem einungis hleypa loftinu út í herbergið)

Uppsetning

Uppsetningarhamir

Háfurinn hefur verið hannaður til að setja hann upp og nota annaðhvort í „útsogsham“ eða „hringrásarham“.

Útsogshamur (sjá tákn í uppsetningarbæklingi)

Matreiðslugufa er söguð og leidd út úr húsinu í gegnum barka (fylgir ekki), sem sett er á úttak háfsins.

Gakktu úr skugga um að úttaksbarkinn sé rétt tengdur við loftúttakið með viðeigandi tengibúnaði.

Hringrásarhamur (sjá tákn í uppsetningarbæklingi)

Loftið er síað með einni eða fleirum kolasíum og fer síðan aftur inn í herbergið.

Mikilvægt: Gakktu úr skugga um að loftflæði sé nægt umhverfis háfinn.

Mikilvægt: Ef háfurinn er afhentur án kolasía og sett upp í hringrásarham, verður að setja þær í áður en hægt er að nota háfinn. Síur eru fáanlegar í búðum.

Háfinn skal setja upp fjarri sérstaklega óhreinum svæðum, gluggum, hurðum og hitagjöfum.


Fylgihlutir fyrir veggfestingu fylgja ekki með vegna þess að veggur úr mismunandi efnum krefst mismunandi gerða festibúnaðar.

Notaðu festingarkerfi sem henta veggjum heimilisins og þyngd búnaðarins. Hafðu samband við sérhæfðan söluaðila til að fá frekari upplýsingar.

Geymdu þennan bækling til síðari nota.

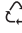
Umhverfisþættir

Förgun heimilistækja

- Táknid  á vörinni eða á umbúðunum gefur til kynna að vörinni megi ekki farga með venjulegum heimilissorpi. Vörinni verður að farga á sérhæfðum endurvinnslustöðvum fyrir rafmagns- og rafeindahluti. Með því að tryggja að þessari vöru sé fargað á réttan hátt, muntu hjálpa til við að koma í veg fyrir mögulegar neikvæðar afleiðingar fyrir umhverfið og heilsuna sem gæti stafað af óviðeigandi förgun.

Fyrir nánari upplýsingar um hvernig hægt er að endurvinna þessa vöru er vinsamlegast hafið samband við sveitarfélag, sorphirðuþjónustu eða búðina sem varan var keypt í.

Förgun umbúða

Efni með tákninu  er hægt að endurvinna. Hentu umbúðum í sérstök ílát fyrir endurvinnslu.

Umhirða og þrif

Notkun

- Slökktu á eða taktu búnaðinn úr sambandi áður en einhverju viðhaldi er sinnt.
- Ekki má nota topphluta háfsins sem hillu.
- Háfurinn er hannaður eingöngu til heimilisnota til að útrýma eldhússlykt.
- Notaðu aldrei háfinn í öðrum tilgangi en þeim sem hann hefur verið hannaður fyrir.
- Skildu aldrei eftir opinn loga undir háfinum þegar hann er í notkun.
- Stilltu logastyrkinn til að beina honum aðeins á botn pönnunnar og gakktu úr skugga um að hann fari ekki út til hliðanna.
- Fylgjast verður stöðugt með djúpsteikingarbúnaði meðan á notkun stendur: ofhitið olía getur valdið eldsvoða.

Umhirða og þrif

- Hreinsa verður feitissíur á tveggja mánaða fresti, eða oftar fyrir sérstaklega mikla notkun, til að koma í veg fyrir hugsanlega eldhættu og má þvo þær í uppþvottavél.
- Hreinsaðu háfinn með rökum klút og hlutlausu fljótandi þvottaefni.

Umhirða og þrif á langtíma Kola- síu (Græn)

- Lyktareyðingarsíuna er hægt að þvo og endurnýja á 3-4 mánaða fresti (eða oftar ef húfurinn er mikið notaður), að hámarki 8 sinnum (við sérstaklega mikla notkun er mælt með að þú fari ekki yfir 5 lotur).

Endunýjunarferli:

- Þvoðu í uppþvottavél við HÁM. hitastig 70° eða handþvoðu í heitu vatni án þess að nota slíþandi svampa (ekki nota hreinsiefni!).
- Þurrkaðu í ofninum við HÁM. hitastig 70° í 2 klukkustundir (mælt er með að lesa vandlega notendahandbók og samsetningarleiðbeiningar þíns eigin ofns).

Skipti á perum

Vinsamlegast hafðu samband við viðurkennda þjónustumiðstöð varðandi skipti.

Framleiðandi

Ikea of Sweden AB - SE - 343 81 Älmhult, Svíþjóð

Rafmagnstenging

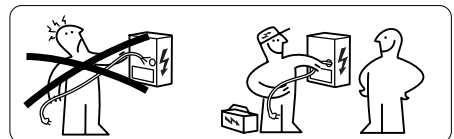


VIÐVÖRUN: Allar rafmagnstengingar skal viðurkenndur fagmaður annast.

- Áður en tengingar eru gerðar skal ganga úr skugga um að skráð netspenna búnaðarins sem tilgreind er á viðkomandi merkiplötu samsvari netspennu hússins.

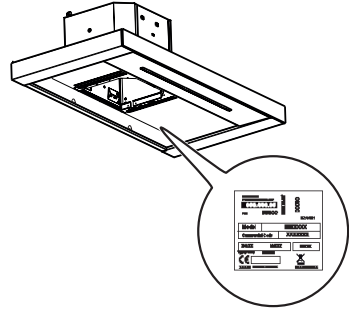


Varúð! Sjóðið ekki í kaplana!



Merkiplata

Tæknilegu upplýsingarnar eru staðsettar á merkiplötunni á innri hlið búnaðarins.



IKEA ÁBYRGÐ

Hversu lengi gildir ábyrgð IKEA?

Þessi ábyrgð gildir í fimm (5) ár frá upphaflegum kaupdegi búnaðarins hjá IKEA. Upprunalegar sölukvittunar er krafist sem sönnun fyrir kaupum. Ef ábyrgðarþjónusta er framkvæmd, þá lengir það ekki ábyrgðartímann fyrir búnaðinn.

Hver veitir þjónustuna?

Þjónustuaðili IKEA mun veita þjónustuna í gegnum sína eigin þjónustustarfsemi eða viðurkenndan þjónustuaðila.

Hvað er innifalið í ábyrgðinni?

Ábyrgðin nær til bilana í búnaðinum sem orsakast af gallaðri framleiðslu eða efnislegum bilunum frá kaupdegi hjá IKEA. Ábyrgðin nær eingöngu til heimilisnotkunar. Undantekningarnar eru skilgreindar undir fyrirsögninni „Hvað er ekki innifalið í þessari ábyrgð?“ Innan ábyrgðartímabilsins er kostnaður við að bæta úr biluninni t.d. viðgerðir, varahlutir, vinna og ferðalög innifalið að því tilskildu að tækið sé aðgengilegt til viðgerðar án sérstakra útgjalda. Við þess skilmála eiga viðmiðunarreglur ESB (Nr. 99/44/EG) og viðkomandi staðbundnar reglur við. IKEA verður eigandi þeirra varahluta sem skipt er um.

Hvað mun IKEA gera til að leysa vandamálið?

Þjónustuaðili IKEA mun skoða vöruna og ákveða, að eigin mati, hvort hún falli undir þessa ábyrgð. Ef tilfalli er talið falla

undir ábyrgð, mun þjónustuaðili IKEA eða viðurkenndur þjónustuaðili þess í gegnum eigin þjónustustarfsemi, að eigin geðþótta, annað hvort gera við gölluðu vöruna eða skipta henni út fyrir sömu eða sambærilega vöru.

Hvað er ekki innifalið í þessari ábyrgð?

- Eðlilegt slit.
- Skaði af gáleysi eða ásetningi, skemmdir af völdum þess að notkunarleiðbeiningum er ekki fylgt, vegna rangrar uppsetningar eða tengingu við ranga spennu, skemmdir af völdum efnahvarfa eða rafefnafræðilegra viðbragða, ryð, tæring eða vatnstjón þar með talið en ekki takmarkað við skemmdir af völdum af mikils kalks frá vatnsveitu, skemmdir af völdum óeðlilegra umhverfisaðstæðna.
- Rekstrarhlutir þ.m.t. rafhlöður og perur.
- Óhagnýtir og skreytingarhlutir sem hafa ekki áhrif á eðlilega notkun tækisins, þar með taldar rispúr og mögulegur litamunur.
- Slysstjón af völdum aðskotahluta eða efna og hreinsunar eða stífluhreinsunar á síum, frárennsliskerfum eða sápuskúffum.
- Skemmdir á eftirtöldum hlutum: keramikgler, fylgihlutir, borðbúnaður og hnífaparakörfur, fæði- og frárennslislagnir, þéttingar, lampar og lampahlífar, skjáir, hnappar, hlífar og hlutar hlífa. Nema hægt sé að sanna að slíkar skemmdir hafi orsakast af framleiðslugalla.
- Tilvik þar sem engin bilun fannst í heimsókn tæknimanns.

- Viðgerðir sem ekki eru framkvæmdar af tilnefndum þjónustuaðilum okkar og/ eða viðurkenndum þjónustuaðila eða þar sem hlutir sem ekki eru upprunalegir hafa verið notaðir.
- Viðgerðir af völdum uppsetningar sem ekki er rétt eða ekki samkvæmt forskrift.
- Notkun búnaðarins utan heimilis t.d. í atvinnuskyni.
- Flutningsskemmdir. Ef viðskiptavinur flytur vöruna heim til sín eða á annan stað er IKEA ekki ábyrgt fyrir tjóni sem kann að verða við flutning. Hins vegar, ef IKEA afhendir vöruna til heimilis viðskiptavinarins, þá falla skemmdir á vörunni sem eiga sér stað við þessa afhendingu undir þessa ábyrgð.
- Kostnaður við fyrstu uppsetningu IKEA búnaðarins. Hins vegar, ef þjónustuaðili IKEA eða viðurkenndur þjónustuaðili þess lagfærir eða skiptir um búnaðinn samkvæmt skilmálum þessarar ábyrgðar, mun þjónustuaðilinn eða viðurkenndur þjónustuaðili þess setja upp viðgerða búnaðinn eða skiptibúnaðinn aftur, ef nauðsyn krefur.

Þessi takmörkun á ekki við gallalaus verk sem unnin eru af hæfum fagmanni með því að nota upprunalegu hluti okkar til að laga búnaðinn að tæknilegum öryggisatriðum annars ESB-lands.

Hvernig landslög eiga við

Ábyrgð IKEA veitir þér sérstök lagaleg réttindi sem uppfylla eða eru meiri en staðbundnar kröfur. Hins vegar takmarka þessi skilyrði ekki neytendaréttindi sem er að finna í staðbundinni löggjöf

Gildissvæði

Fyrir búnað sem keyptur er í einu ESB-landi og flutt til annars ESB-lands verður þjónustan veitt innan ramma ábyrgðarskilmála sem eru venjulegir eru í nýja landinu. Skylda til að sinna þjónustu innan ramma ábyrgðarinnar er aðeins fyrir hendi ef búnaðurinn er í samræmi við og uppsettur í samræmi við:

- tæknifyrirmæli þess lands þar sem ábyrgðarkrafan er gerð;
- leiðbeiningar um samsetningu og notendahandbók um öryggisupplýsingar;

Sértök þjónusta eftir sölu fyrir IKEA-búnað:

Hikaðu ekki við að hafa samband við IKEA þjónustu eftir sölu til að:

1. óska eftir þjónustu samkvæmt þessari ábyrgð;
2. biðja um skýringar á uppsetningu IKEA-búnaðarins í sérstökum IKEA eldhúshúsgögnum. Þjónustan veitir ekki skýringar sem tengjast:
 - Heildar uppsetningu á IKEA-eldhúsi;
 - tengingar við rafmagn (ef vélin kemur án klóar og snúru), við vatn og gas þar sem viðurkenndur þjónustuaðili þarf að sjá um þær.
3. biðja um skýringar á innihaldi notendahandbókar og tæknilýsingum IKEA-búnaðarins.

Til að tryggja að við veitum þér sem besta aðstoð, vinsamlegast lestu vandlega samsetningarleiðbeiningarnar og/eða notendahlutann í þessum bæklingi áður en þú hefur samband við okkur.

Hvernig þú nærð í okkur ef þú þarft á þjónustu að halda



Vinsamlegast skoðuðu á síðustu síðu þessarar handbókar tæmandi listann yfir tengiliði IKEA og símanúmer í viðkomandi landi.

Mikilvægt! Til þess að veita þér sem skjótasta þjónustu mælum við með því að þú notir þau símanúmer sem skráð eru aftast í þessari handbók. Vísaðu alltaf til númerana sem skráð eru í bæklingnum fyrir þann búnað sem þú þarft aðstoð við. Áður en þú hringir í okkur, skaltu hafa IKEA vörunúmerið (8 tölur kóði) við hendina fyrir búnaðinn sem þú þarft aðstoð okkar við.


Mikilvægt! GEYMDU KVITTUNINA! Hún er sönnun þín fyrir kaupum og hennar er krafist til að ábyrgðin gildi. Athugaðu að á kvittuninni er einnig að finna IKEA vöruheiti og númer (8 tölur kóða) fyrir búnaðinn sem þú hefur keypt.

Þarft þú frekari hjálp?

Fyrir frekari spurningar sem ekki varða kaup þín á búnaðinum. Vinsamlegast hafðu samband við næstu þjónustustöð IKEA. Við mælum með að þú lesir gögn búnaðarins vandlega áður en þú hefur samband við okkur.

Informações de segurança

 Para a sua segurança e o bom funcionamento do aparelho, leia atentamente este manual antes da instalação e utilização. Observe atentamente as imagens de aviso no início deste manual. Para uma instalação correta e completa, consulte o manual de instalação específico fornecido juntamente com o produto. Conserve estas instruções sempre junto do aparelho, mesmo em caso de cedência ou transferência a terceiros. É importante que os utilizadores tenham conhecimento de todas as características de funcionamento e de segurança do aparelho.

 A ligação dos fios deve ser feita por técnico especializado.

- O fabricante declina toda e qualquer responsabilidade por eventuais danos decorrentes da instalação ou utilização incorreta ou

imprópria do aparelho.


- A distância mínima de segurança entre a placa de cozedura e o exaustor é: para placa elétrica 500 mm, para placa a gás 650 mm.
- Se as instruções de instalação da placa de cozedura a gás indicarem uma distância superior à indicada, é necessário respeitá-la.
- Verifique se a tensão da rede elétrica corresponde à indicada na chapa de características aplicada no interior do exaustor.
- Devem ser instalados dispositivos de seccionamento na instalação fixa, em conformidade com a legislação sobre sistemas de cablagem.
- Para os aparelhos da Classe I, certifique-se de que a rede elétrica doméstica dispõe de um sistema eficaz de ligação à terra.
- Ligue o exaustor à chaminé usando um cano de exaustão que tenha,

pelo menos, 120 mm de diâmetro. O percurso do cano de exaustão de fumo deve ser o mais curto possível.


- Não ligue o exaustor a condutas de fumo que transportem fumos de combustão (de caldeiras, lareiras etc.).
- Se o exaustor for utilizado em conjunto com aparelhos não elétricos (por ex. aparelhos alimentados a gás), é necessário que haja ventilação suficiente no aposento, para impedir o retorno dos gases de escape. Quando o exaustor é utilizado em conjunto com outros aparelhos não alimentados eletricamente, a pressão negativa no aposento não deve ultrapassar 0,04 mbar, para evitar que os fumos retornem ao aposento através do exaustor.
- O ar não deve ser evacuado através de condutas utilizadas para descarregar o fumo de aparelhos de combustão alimentados a gás ou com outros

combustíveis.

- Se o cabo de alimentação estiver danificado, deve ser substituído pelo fabricante ou por um técnico do serviço de assistência.
- Ligue a ficha a uma tomada em conformidade com os regulamentos em vigor, numa posição acessível.
- Em relação às medidas técnicas e de segurança que é necessário respeitar para evacuar o fumo, é importante seguir atentamente os regulamentos estabelecidos pelas autoridades locais.

 **AVISO:** Antes de instalar o exaustor, remova as películas protetoras.

- Utilize apenas parafusos e quinquilharia apropriada para o exaustor.


 **AVISO:** A falha na instalação dos parafusos ou do dispositivo de fixação de acordo com estas instruções pode resultar em riscos elétricos.

- Ligue o exaustor à corrente elétrica através de

um interruptor bipolar com, pelos menos, 3 mm de distância entre os contactos.

- Não olhe diretamente para a luz com instrumentos óticos (binóculo, lupa....).
- Não cozinhe flamejados debaixo do exaustor, porque há risco que incêndio.
- Este aparelho pode ser utilizado por crianças com idade igual ou superior a 8 anos e por pessoas com capacidades físicas, sensoriais ou mentais diminuídas ou com experiência e conhecimento insuficientes, desde que sejam vigiadas e tenham recebido instrução sobre a utilização do aparelho em condições de segurança e compreendam os perigos que o seu uso comporta. As crianças não devem brincar com o aparelho. A limpeza e a manutenção do aparelho não devem ser realizadas por crianças, a não ser que sejam vigiadas.

- Vigie as crianças, certificando-se de que não brinquem com o aparelho.
- O aparelho não deve ser utilizado por pessoas (incluindo crianças) com capacidades psico-físico-sensoriais diminuídas ou com experiência e conhecimentos insuficientes, salvo se vigiadas atentamente e instruídas.

 As peças acessíveis podem ficar quentes quando usadas com aparelhos de cozinha.

- Limpe e/ou substitua os filtros, respeitando os intervalos de tempo especificados pelo fabricante (perigo de incêndio).
- Tem de haver uma ventilação adequada no local, sempre que o exaustor for utilizado simultaneamente com aparelhos que utilizem gás ou outros combustíveis (não aplicável a aparelhos que apenas descarregam ar no local)

Instalação

Modo de instalação

O exaustor foi concebido para instalação e utilização no “Modo de exaustão” ou no “Modo de recirculação”.

Modo de exaustão (veja o símbolo no folheto de instalação)

O vapor de cozedura é aspirado e conduzido para o exterior através de um tubo de descarga (não fornecido de série) instalado na saída de vapor do exaustor.

Assegure-se de que o tubo de descarga está bem instalado na saída de ar, utilizando um sistema de ligação adequado.

Modo de recirculação (veja o símbolo no folheto de instalação)

O ar é depurado através de um ou vários filtros e é posto novamente em circulação no ambiente.

Importante: Assegure-se de que há boa circulação de ar à volta do exaustor.


Importante: Se o exaustor não trazer os filtros de carvão montados de série, é necessário encomendá-los e montá-los antes de usar o aparelho. Os filtros estão disponíveis no comércio.

O exaustor deve ser instalado longe de áreas muito sujas, janelas, portas e fontes de calor. Os acessórios para fixação na parede não estão incluídos, porque variam consoante o material da parede. Utilize sistemas de fixação adequados para o tipo de paredes de sua casa e para o peso do aparelho. Para informações mais detalhadas, contacte o distribuidor autorizado.

Guarde estas instruções para futura referência.


Aspetos ambientais

Descarte de eletrodomésticos

- O símbolo  no produto ou na própria embalagem indica que o produto não deve ser descartado com o lixo doméstico normal. O produto deve ser descartado num centro especializado em reciclagem para componentes elétricos e eletrónicos. Ao certificar-se de que este produto é descartado de maneira apropriada, irá ajudar a prevenir possíveis consequências negativas para o meio ambiente e para a saúde que podem resultar do seu descarte inadequado.

Para obter informações mais detalhadas sobre como reciclar este produto, entre em contacto com os gabinetes municipais locais, o serviço de descarte de lixo local ou a loja onde o produto foi adquirido.

Descarte de materiais de embalagem

Os materiais com o símbolo  podem ser reciclados. Descarte os materiais da embalagem em contentores especiais de reciclagem.

Cuidado e limpeza

Utilização

- Desligue o interruptor de alimentação do aparelho ou retire a ficha da tomada de corrente, antes de realizar qualquer serviço de manutenção.
- O exaustor não deve ser utilizado como superfície de apoio.
- O exaustor foi concebido exclusivamente para uso doméstico, para eliminar os cheiros da cozinha.
- Nunca utilize o exaustor senão para o fim para que foi concebido.
- Nunca deixe chamas altas desprotegidas sob o exaustor, quando ele estiver em funcionamento.
- Ajuste a intensidade da chama de maneira a incidir exclusivamente no fundo da panela utilizada e não ultrapassar o diâmetro desta, certificando-se de que não incide dos lados.
- As fritadeiras devem ser vigiadas constantemente durante o funcionamento, porque as gorduras e óleos excessivamente aquecidos são facilmente inflamáveis.

Cuidado e limpeza

- Os filtros de gordura devem ser limpos a cada 2 meses de funcionamento, ou mais frequentemente para uso particularmente pesado, a fim de evitar um risco potencial

de incêndio, e podem ser lavados na máquina de lavar louça.

- Limpe o exaustor com um pano húmido e detergente líquido neutro.

Cuidado e limpeza do Filtro de carvão de longa duração (verde)

- O filtro anti-odores pode ser lavado e regenerado a cada 3 - 4 meses (ou mais frequentemente no caso de uso intenso do exaustor), até um máximo de 8 ciclos de regeneração (em caso de uso particularmente intenso, recomenda-se não exceder os 5 ciclos).

Processo de regeneração:

- Lave na máquina de lavar louça à temperatura MÁX. de 70° ou lave à mão em água quente, tendo o cuidado de não usar esponjas abrasivas (não utilize detergentes!).
- Seque no forno à temperatura MÁX de 70° durante 2 horas (recomenda-se ler com atenção o manual de utilização e as instruções de montagem do seu forno).

Substituição das lâmpadas

Para a substituição, contacte o Centro de Assistência Autorizado.

Fabricante

Ikea of Sweden AB - SE - 343 81 Älmhult, Sweden

Ligação elétrica

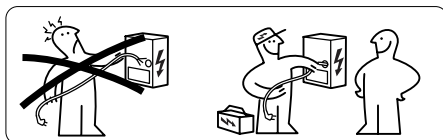


AVISO: Todas as ligações elétricas devem ser realizadas por um instalador autorizado.

- Antes de efetuar as ligações, verifique se a tensão nominal do aparelho indicada na respetiva placa de características corresponde à tensão de alimentação.

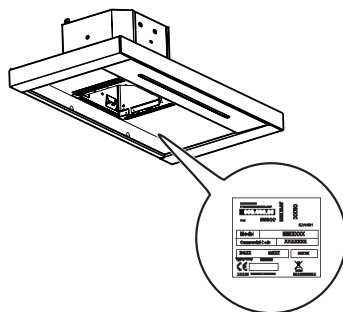


Cuidado! Não solde nenhum dos cabos!



Placa de características

Os dados técnicos estão indicados na placa de características aplicada no interior do aparelho.



GARANTIA IKEA

Qual é a duração da garantia IKEA?

Esta garantia é válida durante cinco (5) anos a contar da data original de compra do aparelho no IKEA. O talão de compra original é indispensável como comprovativo de compra. Eventuais reparações efetuadas no âmbito da garantia não prorrogarão o período de garantia do aparelho.

Quem fornece o serviço de assistência?

A assistência aos clientes será garantida pelo fornecedor de serviços de assistência nomeado pelo IKEA, através da sua organização ou da sua rede de parceiros de assistência autorizados.

O que está coberto por esta garantia?

A garantia cobre as avarias do aparelho causadas por defeitos de material ou de fabrico, a partir da data da sua compra numa loja IKEA. Esta garantia aplica-se apenas aos aparelhos destinados a uso doméstico. As exceções estão expressamente indicadas no parágrafo intitulado "O que não está coberto por esta garantia?" Durante o período de validade da garantia, os custos de reparação, peças, mão de obra e deslocação do pessoal de manutenção serão a cargo do fornecedor de serviços nomeado pelo IKEA, desde que o produto possa ser reparado sem custos ingentes. Estas condições obedecem às diretivas UE (N.º 99/44/CE) e às normas e regulamentos locais aplicáveis. As peças substituídas passam a ser propriedade do IKEA.

O que fará o IKEA para resolver o problema?

O fornecedor de serviços nomeado pelo IKEA examinará o produto e, à sua exclusiva discrição, decidirá se o problema observado está ou não

coberto pela garantia IKEA. Em caso positivo, o fornecedor de serviços nomeado pelo IKEA ou o seu parceiro autorizado decidirá, à sua exclusiva discrição, se reparar o produto com defeito ou substituí-lo por outro igual ou equivalente.

O que não está coberto por esta garantia?

- Desgaste causado pelo uso normal do produto.
- Danos causados de forma deliberada ou por negligência devido ao não respeito das instruções de funcionamento, danos decorrentes de uma instalação incorreta ou de ligação a uma tensão de rede não correta. Danos provocados por reação química ou eletroquímica, ferrugem, corrosão ou danos causados pela água, incluindo o excesso de calcário nas condutas de água. Danos causados por fenómenos meteorológicos e naturais.
- Consumíveis, incluindo baterias e lâmpadas.
- Peças decorativas e não funcionais que não afetem a utilização normal do aparelho, tais como riscos e eventuais alterações de cor.
- Danos acidentais causados por substâncias ou objetos estranhos e pela limpeza ou desobstrução de filtros, sistemas de drenagem ou gavetas de detergente.
- Danos nas seguintes peças: vitrocerâmica, acessórios, cestos de loiças e talheres, tubos de alimentação e drenagem, vedações, lâmpadas e tampas de lâmpadas, visores, manípulos, caixilhos e peças de caixilhos. A menos que se possa provar que tais danos foram causados por falhas de fabrico.
- Casos em que não tenham sido detetadas falhas ou deficiências durante a visita de um técnico.

- Reparações que não tenham sido realizadas pelo fornecedor de serviços nomeado pelo IKEA ou por um seu parceiro autorizado, ou sempre que não tenham sido utilizadas peças não originais.
- Reparações causadas pela instalação incorreta ou não conforme às especificações.
- Utilização do aparelho em ambiente não doméstico, como por exemplo, para uso profissional ou comercial.
- Danos de transporte. No caso de ser o cliente a transportar o produto para sua casa ou para outra morada, o IKEA não se responsabilizará pelos eventuais danos que possa sofrer durante o transporte. No entanto, se for o IKEA a efetuar a entrega do produto na morada do cliente, os eventuais danos sofridos pelo produto durante o transporte serão cobertos pela presente garantia.
- Custo da instalação inicial do aparelho IKEA. No entanto, se um fornecedor de serviços nomeado pelo IKEA ou um seu parceiro autorizado reparar ou substituir o aparelho ao abrigo da presente garantia, o fornecedor de serviços ou o seu parceiro autorizado deverá reinstalar o aparelho reparado ou instalar o aparelho de substituição, se necessário.

Estas restrições não se aplicam aos trabalhos realizados com competência por pessoal qualificado, utilizando as peças originais para adaptar o aparelho às normas de segurança de outro país da UE.

Aplicabilidade das leis nacionais

Além dos direitos previstos na lei, variáveis de país para país, a garantia IKEA concede ao cliente direitos legais específicos. No entanto, tais condições não limitam, de modo algum, os direitos do consumidor definidos na legislação local.

Área de validade

Para aparelhos adquiridos num país da UE e levados para outro país da UE, os serviços serão fornecidos com base nas condições de garantia aplicáveis no novo país. A obrigação de fornecer o serviço com base nas condições de garantia só existe se:

- o aparelho estiver em conformidade e instalado de acordo com as especificações técnicas do país em que ocorre o pedido de assistência ao abrigo da garantia;
- o aparelho estiver em conformidade e instalado de acordo com as Instruções de montagem e as informações de segurança do Manual de utilização.

Serviço Pós-venda exclusivo para aparelhos IKEA:

Não hesite em contactar o Serviço Pós-venda IKEA para:

1. recorrer à garantia;
2. pedir esclarecimentos sobre a instalação dos aparelhos IKEA nos móveis de cozinha IKEA. O serviço não prestará assistência ou esclarecimentos sobre:
 - instalação de cozinhas IKEA completas;
 - ligações elétricas (se o aparelho for fornecido sem cabos e sem ficha), ligações à rede de água e de gás, porque têm de ser realizadas por um técnico de assistência autorizado.
3. pedir esclarecimentos sobre o conteúdo do Manual de utilização e as especificações do aparelho IKEA.

Para garantir o fornecimento do melhor serviço de assistência, leia com atenção as Instruções de montagem e/ou o Manual de utilização, antes de nos contactar.

Como contactar-nos, se necessitar dos nossos serviços



Consulte a lista completa dos fornecedores de serviços IKEA, com os respetivos números de telefone nacionais, na última página deste manual.

Importante! Para lhe garantir um serviço mais rápido, recomenda-se utilizar os números de telefone indicados no fim deste manual. Quando necessitar de assistência para o seu aparelho, consulte sempre os seus códigos específicos transcritos neste manual. Antes de nos contactar, certifique-se de que tem à mão o código de artigo IKEA (de 8 dígitos) do aparelho para o qual necessita de assistência.


Importante! GUARDE O TALÃO DE COMPRA!


É o seu comprovativo de compra que precisará de apresentar para poder recorrer à garantia. No talão também estão indicados o nome e o código (de 8 dígitos) do aparelho IKEA adquirido.

Precisa de ajuda extra?

Para quaisquer questões adicionais não relacionadas com a Pós-Venda dos seus aparelhos. Contacte o nosso centro de atendimento da loja IKEA mais próxima. Recomendamos que leia com atenção a documentação do aparelho, antes de contactar-nos.

Información de seguridad

 Para su seguridad y el correcto funcionamiento del aparato, lea atentamente este manual antes de su instalación y uso. Observe atentamente las imágenes de advertencia al inicio de este manual. Para una instalación correcta y completa, consulte el manual de instalación específico suministrado con el producto. Mantenga estas instrucciones siempre con la unidad, aun cuando la ceda o transfiera a terceros. Es importante que los usuarios sepan todas las características de funcionamiento y seguridad del equipo.

 Las conexiones de los cables deben ser realizadas por un técnico competente.

- El fabricante no se hace responsable de los daños derivados de una instalación o uso inadecuados.
- La distancia de seguridad


mínima entre la placa de cocción y la campana extractora es: para placa eléctrica 500mm y para placa de gas 650mm.

- Si las instrucciones de instalación de la placa de cocción especifican una distancia mayor que la indicada anteriormente, es necesario tener esto en cuenta.
- Compruebe que la tensión de alimentación corresponda a la indicada en la placa de datos colocada en el interior de la campana.
- Los dispositivos de desconexión se deben instalar en la instalación fija de acuerdo con la normativa sobre sistemas de cableado.
- Para los equipos de clase I, compruebe que la red de alimentación doméstica tenga una conexión a tierra adecuada.
- Conecte la campana a la chimenea con un diámetro de tubería mínimo de 120 mm. La trayectoria de

humos debe ser lo más corta posible.

- No conecte la campana de aspiración a los conductos de humos que transportan humos de combustión (por ejemplo, de calderas, chimeneas, etc.).
- Si la campana se utiliza en combinación con equipos no eléctricos (por ejemplo, equipos de gas), se debe asegurar un grado suficiente de ventilación en la habitación para evitar el retorno del flujo de los gases de escape. Cuando la campana se utiliza en combinación con equipos no alimentados por corriente eléctrica, la presión negativa en la habitación no debe ser superior a 0,04 mbar para evitar que los vapores se vuelvan a aspirar en el local por parte de la campana.
- El aire no debe ser evacuado a través de un conducto utilizado para la descarga de los humos de equipos de combustión alimentados por gas u otros combustibles.

- El cable de alimentación, si está dañado, debe ser reemplazado por el fabricante o por un técnico de servicio.
- Conecte el enchufe a un conector conforme a las normas vigentes y en un lugar accesible.
- Con respecto a las medidas técnicas y de seguridad que deben tomarse para la descarga de los humos es importante seguir cuidadosamente las normas establecidas por las autoridades locales.

 **ADVERTENCIA:** Antes de instalar la campana, retire las películas protectoras.

- Utilice solo tornillos y pequeñas partes de un tipo adecuado para la campana.

 **ADVERTENCIA:** No instalar los tornillos o elementos de sujeción de acuerdo con estas instrucciones puede resultar en riesgo de descarga eléctrica.

- Conecte la campana a

la red de alimentación eléctrica por medio de un interruptor bipolar con una distancia entre los contactos de al menos 3 mm.

- No observe directamente con instrumentos ópticos (prismáticos, lupa...).
- No realice flambeados bajo la campana: se podría producir un incendio.
- Este dispositivo puede ser utilizado por niños menores de 8 años de edad y personas con capacidades psicológicas, físicas o sensoriales reducidas o con falta de experiencia y conocimiento, siempre que estén cuidadosamente supervisados e instruidos sobre cómo utilizar de forma segura el equipo y los peligros que esto conlleva. Asegúrese de que los niños no jueguen con el equipo. La limpieza y mantenimiento por parte del usuario no pueden ser desempeñadas por los niños, a menos que sean supervisados.

- Supervise a los niños, asegurándose de que no jueguen con el equipo.
- El equipo no debe ser utilizado por personas (incluidos niños) con reducidas capacidades psicológicas, físicas o sensoriales o con experiencia o conocimiento inadecuados, a menos que hayan recibido supervisión o instrucción



Las partes accesibles pueden calentarse durante el uso de aparatos de cocina.

- Limpie y / o reemplace los filtros después del período de tiempo especificado (peligro de incendio).
- Debe haber una adecuada ventilación en el local cuando la campana se utiliza en contemporánea con los equipos que utilizan gas u otros combustibles (no se aplica a equipos que descargan solamente el aire en el local)

Instalación

Modo de instalación

La campana se ha diseñado para su instalación y uso en “versión de extracción” o en “versión de recirculación de aire”.

Versión de extracción (véase el símbolo



en las instrucciones de instalación)

El vapor de cocción es aspirado y transportado a la zona exterior de la habitación a través de un tubo de escape (no suministrado) instalado a la salida de vapor de la campana.

Asegúrese de que el tubo de escape esté correctamente instalado a la salida de aire mediante un sistema de conexión adecuado.

Versión de recirculación de aire (véase



el símbolo en las instrucciones de instalación)

El aire se filtra a través de uno o más filtros y se transporta de nuevo a la habitación.

Importante: Asegúrese de que haya una correcta circulación del aire alrededor de la campana.

Importante: Si la campana no se suministra con los filtros de carbón, estos deben ser pedidos e instalados antes de utilizar el equipo. Los filtros están disponibles comercialmente.

La campana debe instalarse lejos de las zonas particularmente sucias, ventanas, puertas y fuentes de calor.


Los accesorios para el montaje en la pared no se incluyen debido a que varían dependiendo del material de la pared.

Utilice sistemas de sujeción adecuados a las paredes de su propia casa y al peso del equipo. Para obtener información más detallada, por favor, póngase en contacto con un distribuidor especializado.

Guarde estas instrucciones para referencia futura.


Aspectos ambientales

Eliminación de electrodomésticos

- El símbolo  en el producto o en su envase indica que el producto no debe eliminarse con los desechos domésticos normales. El producto debe ser eliminado en un centro de reciclaje especializado en componentes eléctricos y electrónicos. Al asegurarse de que este producto se elimina correctamente, ayudará a evitar las posibles consecuencias negativas para el medio ambiente y la salud que podrían derivarse de su eliminación inadecuada.

Para obtener información más detallada sobre cómo reciclar este producto, póngase en contacto con las oficinas municipales, el servicio local de eliminación de residuos o la tienda donde lo compró.

Eliminación de los materiales de embalaje

Los materiales con el símbolo  pueden reciclarse. Elimine los materiales de embalaje en los contenedores especiales de recogida de reciclaje.

Limpieza y mantenimiento

Uso

- Apague o desconecte el equipo de la red de alimentación antes de realizar cualquier operación de mantenimiento.
- La campana no debe utilizarse como un plano de apoyo.
- La campana extractora está diseñada exclusivamente para uso doméstico con el fin de eliminar los olores de la cocina.
- Nunca utilice la campana para fines distintos de aquellos para los que fue diseñada.
- No deje llamas altas bajo la campana cuando está en funcionamiento.
- Ajuste la intensidad de la llama de modo para dirigirla exclusivamente hacia el fondo del recipiente de cocción, asegurándose de que no envuelva los lados.
- Las freidoras deben ser controladas durante su uso: el aceite sobrecalentado puede incendiarse.

Limpieza y mantenimiento

- Los filtros de grasa deben ser limpiados cada 2 meses de funcionamiento, o con mayor frecuencia en caso de uso especialmente intenso, para evitar un posible riesgo de incendio, y pueden lavarse en el lavavajillas.
- Limpiar la campana con un paño húmedo y un detergente líquido neutro.

Limpieza y mantenimiento del filtro de Carbón de larga duración (Verde)

- El Filtro de olores se puede lavar y regenerar cada 3-4 meses (o con más frecuencia si la campana es sometida a un uso intensivo), hasta un máximo de 8 ciclos de regeneración (en caso de uso particularmente intensivo se recomienda no exceder 5 ciclos).

Procedimiento de regeneración:

- Lavar en lavavajillas a una temperatura MÁX de 70° o lavar a mano en agua caliente sin necesidad de utilizar esponjas abrasivas (no utilice detergentes).
- Seque en el horno a una temperatura MÁXIMA de 70° durante 2 horas (se aconseja leer atentamente el manual de uso y las instrucciones de montaje del propio horno).

Sustitución de bombillas

Para la sustitución, diríjase a un Centro de Asistencia Autorizado.

Fabricante

Ikea de Suecia AB - SE - 343 81 Älmhult, Suecia

Conexión eléctrica

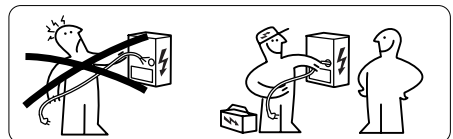


ADVERTENCIA: Todas las conexiones eléctricas deben ser llevadas a cabo por un instalador autorizado.

- Antes de realizar las conexiones, controle que la tensión nominal del aparato indicada en la respectiva placa de características corresponde con la tensión de alimentación.

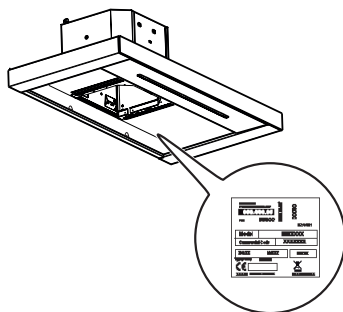


¡Precaución! ¡No soldar ninguno de los cables!



Placa de características

Los datos técnicos se muestran en la placa colocada en el interior del equipo.



GARANTÍA IKEA

¿Por cuánto tiempo es válida la garantía IKEA?

Esta garantía es válida por cinco (5) años desde la fecha original de compra del equipo en IKEA. El recibo de compra original se requiere como prueba de compra. Una reparación realizada bajo garantía no extiende el período de garantía del equipo.

¿Quién provee el servicio de asistencia?

La asistencia a los clientes será garantizada por el proveedor de servicios designado por IKEA a través de su propia organización o por su red de partners de asistencia autorizados.

¿Qué cubre la garantía?

La garantía cubre cualquier defecto de materiales o de fabricación del equipo y es válida a partir de la fecha de compra del equipo en una tienda IKEA. La garantía es válida solamente para los equipos de uso doméstico. Las excepciones se describen en la sección "¿Qué no cubre la garantía?" En el período de la garantía, el proveedor de servicios designado por IKEA pagará los costes de reparación, los repuestos, la mano de obra y los gastos de viaje del personal de mantenimiento, siempre que el producto pueda ser reparado sin costes demasiado elevados. Estas condiciones están en línea con las directivas de la UE (N. 99/44/CE) y las normas y disposiciones locales. Las piezas sustituidas pasarán a ser propiedad de IKEA.

¿Cómo IKEA interviene para resolver el problema?

El proveedor de servicios designado por IKEA examinará el producto para determinar, a su discreción, si cumple con la cobertura de garantía de IKEA. Si es así, el proveedor de servicios designado

por IKEA o su partner de asistencia autorizado decidirá, a su sola discreción, si repara el producto defectuoso o lo reemplaza por un producto igual o equivalente.

¿Qué no cubre la garantía?

- Desgaste normal.
- Daños causados deliberadamente, daños provocados por el incumplimiento de las instrucciones de funcionamiento, por una instalación incorrecta o realizada siguiendo una conexión a tensión incorrecta. Daños causados por reacción química o electroquímica, óxido, corrosión o daños por agua, incluido el daño causado por la presencia de cal excesiva en la red de agua. Daños causados por el mal tiempo y los fenómenos naturales.
- Piezas sujetas a desgaste, por ejemplo, baterías y bombillas.
- Piezas decorativas y no funcionales que no afectan el uso normal del equipo, por ejemplo, arañazos y variaciones de color.
- Daños accidentales causados por sustancias o cuerpos extraños, y limpieza o liberación de filtros, sistemas de descarga o cajones de detergente.
- Los daños en las siguientes piezas: vidrios cerámicos, accesorios, cestas de vajilla y cubertería, tubos de alimentación y desagüe, juntas, lámparas y tapas de lámparas, pantallas, pomos, carcassas y partes de carcassas. A menos que se demuestre que dichos daños han sido causados por fallas de producción.
- Cuando no se detecten defectos durante la visita de un técnico.
- Reparaciones no llevadas a cabo por el

proveedor de servicios designado por IKEA o reparaciones no realizadas por un partner de asistencia autorizado o si se han utilizado piezas no originales.

- Reparaciones causadas por una instalación incorrecta o que no cumple con las especificaciones.
- Uso del equipo en un entorno no doméstico, por ejemplo para uso profesional o comercial.
- Daños de transporte. En el caso del transporte realizado por el cliente a su propio domicilio u otra dirección, IKEA no se hace responsable de los daños ocasionados durante el transporte. Sin embargo, si el transporte al domicilio del cliente lo realiza IKEA, cualquier daño debido al transporte estará cubierto por esta garantía.
- Coste inicial de la instalación del equipo IKEA. Sin embargo, si un proveedor de servicios designado por IKEA o un partner de asistencia autorizado realizan una reparación o sustitución del equipo bajo garantía, se requerirá que los mismos reinstalen el equipo reparado o sustituido, si es necesario.

Estas restricciones no se aplican al trabajo realizado de manera profesional por personal cualificado y con el uso de piezas originales para adaptar el equipo a las normas de seguridad de otra nación de la UE.

Aplicabilidad de las leyes nacionales

La garantía IKEA otorga al cliente derechos legales específicos además de los derechos previstos por la ley y varían de país a país. Sin embargo, estas condiciones no limitan en modo alguno los derechos del consumidor según lo definido por las leyes locales

Alcance

Para los productos adquiridos en un país de la UE y que se transfieren a otro país de la UE, los servicios se prestarán en las condiciones de garantía aplicables en el otro país. La obligación de proporcionar el servicio de acuerdo con las condiciones de garantía sólo será vinculante si:

- el equipo está conforme y se instala de conformidad con las especificaciones técnicas del país en el que se requiere la aplicación de la garantía;
- el equipo está conforme y se instala de conformidad con las Instrucciones de montaje y la información de seguridad contenida en el Manual del usuario;

Servicio de Asistencia post-venta dedicado a los electrodomésticos de IKEA:

No dude en ponerse en contacto con el Servicio de Asistencia post-venta de IKEA para:

1. el uso de la garantía;
2. preguntar sobre la instalación de equipos IKEA en los muebles empotrados específicos IKEA. El servicio no proporcionará asistencia o aclaraciones sobre:
 - instalación de cocinas completas IKEA;
 - conexiones eléctricas (si el equipo se suministra sin cables y conectores), conexiones hidráulicas y conexiones a la instalación de gas, las cuales deben ser realizada por un técnico de asistencia autorizado.
3. pedir aclaraciones sobre el contenido del manual de usuario y las especificaciones del equipo IKEA.

Para garantizar la mejor asistencia, lea las instrucciones de montaje y/o el manual del usuario antes de ponerse en contacto con nosotros.

Cómo ponerse en contacto con nosotros si necesita nuestros servicios



Consultar la lista completa de los proveedores de servicios de IKEA con sus números de teléfono nacionales en la última página de este manual.

¡Importante! Para garantizar un servicio más rápido, se recomienda utilizar los números de teléfono que aparecen al final de este manual. Al solicitar asistencia, referirse siempre a los códigos específicos del equipo que se encuentran en este manual. Antes de ponerse en contacto con nosotros, asegúrese de tener a mano el código de producto IKEA (8 dígitos) correspondiente al equipo para el que necesita asistencia.

¡Importante! ¡GUARDE SU RECIBO!

Es la prueba de compra y debe mostrarlo para poder utilizar la garantía. En el recibo figuran el nombre y código (8 dígitos) del equipo IKEA comprado.

¿Necesita más ayuda?

Para cualquier pregunta adicional no relacionada con la Post-venta de sus aparatos. Por favor contacte con el centro de llamadas de la tienda IKEA más cercana. Lea detenidamente la documentación del equipo antes de contactarnos.

Πληροφορίες για την ασφάλεια

i Για την ασφάλειά σας και τη σωστή λειτουργία της συσκευής, διαβάστε προσεκτικά το παρόν εγχειρίδιο πριν από την εγκατάσταση και τη χρήση. Κοιτάξτε προσεκτικά τις εικόνες με τις προειδοποιήσεις στην αρχή αυτού του εγχειριδίου. Για τη σωστή και ολοκληρωμένη εγκατάσταση συμβουλευτείτε το ειδικό εγχειρίδιο εγκατάστασης που παρέχεται μαζί με το προϊόν. Φυλάσσετε αυτές τις οδηγίες πάντα μαζί με τη συσκευή, ακόμα και σε περίπτωση μεταβίβασης σε τρίτους. Είναι σημαντικό οι χρήστες να γνωρίζουν όλα τα χαρακτηριστικά λειτουργίας και ασφάλειας της συσκευής.

! Η σύνδεση των καλωδίων πρέπει να γίνεται από εξειδικευμένο τεχνικό.

- Ο κατασκευαστής δεν μπορεί να θεωρηθεί υπεύθυνος για ενδεχόμενες ζημιές που οφείλονται σε ακατάλληλη εγκατάσταση ή χρήση.

- Η ελάχιστη απόσταση ασφαλείας μεταξύ των εστιών μαγειρέματος και του απορροφητήρα είναι: για ηλεκτρική εστία 500mm και για εστία αερίου 650mm.
- Αν οι οδηγίες εγκατάστασης της μονάδας εστιών με υγραέριο υποδεικνύουν ότι απαιτείται απόσταση μεγαλύτερη από εκείνη που αναφέρεται παραπάνω, είναι απαραίτητο να τις λάβετε υπόψη.
- Βεβαιωθείτε ότι η τάση του δικτύου αντιστοιχεί στην τιμή που αναγράφεται στην πινακίδα χαρακτηριστικών στο εσωτερικό του απορροφητήρα.
- Τα συστήματα διακοπής πρέπει να εγκατασταθούν στη μόνιμη εγκατάσταση σύμφωνα με τη νομοθεσία για τις εγκαταστάσεις καλωδίωσης.
- Για τις συσκευές Κλάσης I, βεβαιωθείτε ότι το οικιακό δίκτυο τροφοδοσίας είναι κατάλληλα γειωμένο.
- Συνδέστε τον απορροφητήρα στην καπνοδόχο με σωλήνα ελάχιστης διαμέ-

τρου 120 mm. Η διαδρομή του σωλήνα πρέπει να είναι όσο το δυνατόν συντομότερη.

- Μη συνδέετε τον απορροφητήρα σε αγωγούς απαγωγής καπναερίων που παράγονται από καύση (π.χ. λέβητες, τζάκια κλπ.).
- Αν χρησιμοποιείτε τον απορροφητήρα σε συνδυασμό με άλλες μη ηλεκτρικές συσκευές (π.χ. συσκευές υγραερίου), θα πρέπει να εξασφαλίσετε τον επαρκή αερισμό του χώρου ώστε να εμποδίσετε την επιστροφή των καπναερίων. Όταν ο απορροφητήρας της κουζίνας χρησιμοποιείται σε συνδυασμό με μη ηλεκτρικές συσκευές, η αρνητική πίεση του χώρου δεν πρέπει να υπερβαίνει τα 0,04 mbar έτσι ώστε να αποφεύγεται η επιστροφή των καπναερίων στο χώρο και η αναρρόφησή τους από τον απορροφητήρα.
- Ο αέρας δεν πρέπει να απάγεται μέσω ενός αγωγού που χρησιμοποιείται για την απαγωγή των καπναερίων από συσκευές καύσης που τροφοδοτούνται με

αέριο ή άλλα καύσιμα.

- Το ηλεκτρικό καλώδιο, αν πάθει ζημιά, πρέπει να αντικατασταθεί από τον κατασκευαστή ή από έναν τεχνικό του σέρβις.
- Συνδέετε το φως σε μια πρίζα που συμμορφούται με τους ισχύοντες κανονισμούς και σε σημείο με εύκολη πρόσβαση.
- Όσον αφορά τα τεχνικά μέτρα και τα μέτρα ασφαλείας που πρέπει να εφαρμοστούν για την απαγωγή των καπναερίων, είναι σημαντικό να τηρούνται σχολαστικά οι κανονισμοί των τοπικών φορέων.



ΠΡΟΕΙΔΟΠΟΙΗΣΗ:

Πριν εγκαταστήσετε τον απορροφητήρα, αφαιρέστε τις προστατευτικές μεμβράνες.

- Χρησιμοποιείτε μόνο βίδες και εξαρτήματα κατάλληλου τύπου για τον απορροφητήρα.



ΠΡΟΕΙΔΟΠΟΙΗΣΗ: Η μη τοποθέτηση των βιδών και των συστημάτων στερέωσης σύμφωνα με τις παρούσες οδηγίες, μπορεί να προκαλέσει

ηλεκτροπληξία.

- Συνδέστε τον απορροφητήρα στο δίκτυο τροφοδοσίας χρησιμοποιώντας έναν διπολικό διακόπτη με διάκενο επαφών τουλάχιστον 3 mm.
- Μην κοιτάζετε απευθείας με οπτικά όργανα (κιάλια, μεγεθυντικός φακός...).
- Μην μαγειρεύετε φαγητά φλαμπέ κάτω από τον απορροφητήρα: μπορεί να προκληθεί πυρκαγιά.
- Αυτή η συσκευή μπορεί να χρησιμοποιηθεί από παιδιά ηλικίας άνω των 8 ετών και από άτομα με μειωμένες ψυχικές ή διανοητικές ικανότητες, ή από άτομα χωρίς πείρα και επαρκή γνώση, αρκεί να επιβλέπονται και εκπαιδεύονται στην ασφαλή χρήση της συσκευής και στους κινδύνους που απορρέουν από αυτή. Βεβαιωθείτε ότι τα παιδιά δεν παίζουν με τη συσκευή. Ο καθαρισμός και η συντήρηση δεν πρέπει να εκτελούνται από παιδιά, εκτός εάν επιβλέπονται.
- Τα παιδιά πρέπει να επιβλέπονται ώστε να εξασφαλιστεί ότι δεν παίζουν με τη

συσκευή.

- Η συσκευή δεν πρέπει να χρησιμοποιείται από άτομα (συμπεριλαμβανομένων των παιδιών) με μειωμένες ψυχικές ή διανοητικές ικανότητες, ή από άτομα χωρίς πείρα και επαρκή γνώση, εκτός εάν ελέγχονται και εκπαιδεύονται.



Τα προσβάσιμα μέρη μπορεί να αναπτύξουν υψηλή θερμοκρασία όταν χρησιμοποιούνται με σκεύη μαγειρέματος.

- Καθαρίζετε ή/και αντικαθιστάτε τα φίλτρα μετά την καθορισμένη χρονική περίοδο (κίνδυνος πυρκαγιάς).
- Πρέπει να υπάρχει κατάλληλος αερισμός στο χώρο όταν ο απορροφητήρας χρησιμοποιείται ταυτόχρονα με συσκευές που χρησιμοποιούν αέριο ή άλλα καύσιμα (δεν ισχύει για συσκευές που απάγουν αποκλειστικά τον αέρα στο χώρο).

Εγκατάσταση

Τρόπος εγκατάστασης

Ο απορροφητήρας έχει μελετηθεί για εγκατάσταση και χρήση σαν μοντέλο «απαγωγής» ή «ανακύκλωσης».

Λειτουργία Απαγωγής (δείτε σύμβολο



στο φυλλάδιο εγκατάστασης)

Οι ατμοί από το μαγείρεμα αναρροφούνται και οδηγούνται εκτός κατοικίας μέσω ενός σωλήνα απαγωγής (δεν διατίθεται) που εγκαθίσταται στην έξοδο ατμών του απορροφητήρα.

Βεβαιωθείτε ότι ο σωλήνας απαγωγής είναι σωστά εγκατεστημένος στην έξοδο αέρα με τη χρήση κατάλληλου συστήματος σύνδεσης.

Λειτουργία Ανακύκλωσης (δείτε σύμβολο



στο φυλλάδιο εγκατάστασης)

Ο αέρας φιλτράρεται μέσα από ένα ή περισσότερα φίλτρα και στη συνέχεια διοχετεύεται εκ νέου στο χώρο.


Σημαντικό: Βεβαιωθείτε ότι εξασφαλίζεται η σωστή κυκλοφορία αέρα γύρω από τον απορροφητήρα.

Σημαντικό: Εάν ο απορροφητήρας δεν διαθέτει φίλτρα άνθρακα, πρέπει να τα παραγγείλετε και να τα τοποθετήσετε πριν θέσετε σε λειτουργία τον απορροφητήρα. Τα φίλτρα διατίθενται στην αγορά.

Ο απορροφητήρας πρέπει να εγκατασταθεί μακριά από σημεία με πολύ βρωμιά, παράθυρα, πόρτες και πηγές θερμότητας. Τα εξαρτήματα για τη στερέωση στον τοίχο δεν περιλαμβάνονται, καθώς διαφέρουν ανάλογα με το υλικό του τοίχου. Χρησιμοποιείτε συστήματα στερέωσης κατάλληλα για τους τοίχους της κατοικίας σας και το βάρος της συσκευής. Για περισσότερες πληροφορίες απευθυνθείτε σε ένα εξουσιοδοτημένο κατάστημα. Φυλάξτε αυτές τις οδηγίες για μελλοντική χρήση.

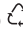
Περιβαλλοντικά θέματα

Απόρριψη οικιακών συσκευών

- Το σύμβολο  πάνω στο προϊόν ή στη συσκευασία του υποδηλώνει ότι το προϊόν δεν πρέπει να απορρίπτεται μαζί με τα συνήθη οικιακά απορρίμματα. Το προϊόν πρέπει να απορρίπτεται σε ειδικό κέντρο ανακύκλωσης για ηλεκτρικό και ηλεκτρονικό εξοπλισμό. Εάν απορρίψετε σωστά το προϊόν, συμβάλλετε στην αποφυγή των πιθανών αρνητικών επιπτώσεων για το περιβάλλον και την υγεία που μπορεί να υπάρξουν σε περίπτωση μη σωστής απόρριψης.

Για περισσότερες πληροφορίες σχετικά με τον τρόπο ανακύκλωσης αυτού του προϊόντος, επικοινωνήστε με το αρμόδιο γραφείο του Δήμου σας, την τοπική υπηρεσία διάθεσης αποβλήτων ή το κατάστημα από το οποίο αγοράσατε το προϊόν.

Απόρριψη των συσκευασιών

Τα υλικά που φέρουν το σύμβολο  έχουν τη δυνατότητα ανακύκλωσης. Απορρίψτε τα υλικά των συσκευασιών σε ειδικούς κάδους ανακύκλωσης.

Καθαρισμός και συντήρηση

Χρήση

- Σβήνετε ή αποσυνδέετε τη συσκευή από το ηλεκτρικό δίκτυο πριν από οποιαδήποτε επέμβαση συντήρησης.
- Ο απορροφητήρας δεν πρέπει να χρησιμοποιείται ως επιφάνεια στήριξης.
- Ο απορροφητήρας έχει μελετηθεί αποκλειστικά για οικιακή χρήση και για την απαγωγή των οσμών της κουζίνας.
- Ποτέ μη χρησιμοποιείτε τον απορροφητήρα για σκοπό διαφορετικό από εκείνον για τον οποίο έχει σχεδιαστεί.
- Ποτέ μην αφήνετε φλόγες μεγάλης έντασης κάτω από τον απορροφητήρα όταν λειτουργεί.
- Ρυθμίστε την ένταση της φλόγας έτσι ώστε να κατευθύνεται αποκλειστικά προς τον πάτο του σκεύους μαγειρέματος, εξασφαλίζοντας ότι δεν προεξέχει από τις πλευρές του.
- Οι φριτέζες πρέπει να ελέγχονται συνεχώς όταν χρησιμοποιούνται: το καυτό λάδι μπορεί να πάρει φωτιά.

Καθαρισμός και συντήρηση

- Τα φίλτρα για λίπη πρέπει να καθαρίζονται κάθε 2 μήνες λειτουργίας ή συχνότερα σε περίπτωση ιδιαίτερα έντονης χρήσης, προκειμένου να εξαλειφεται ο πιθανός κίνδυνος φωτιάς, και μπορούν να πλένονται σε πλυντήριο πιάτων.

- Καθαρίζετε τον απορροφητήρα χρησιμοποιώντας ένα υγρό πανί και ουδέτερο υγρό απορρυπαντικό.

Καθαρισμός και συντήρηση του φίλτρου άνθρακα μεγάλης διάρκειας (πράσινο)

- Το φίλτρο κατά των οσμών μπορεί να πλένεται και να αναγεννάται κάθε 3-4 μήνες (ή συχνότερα σε περίπτωση έντονης χρήσης του απορροφητήρα), έως το πολύ 8 κύκλου αναγέννησης (για ιδιαίτερα έντονη χρήση συνιστάται να μην υπερβαίνετε τους 5 κύκλους).

Διαδικασία αναγέννησης:

- Πλύνετε στο πλυντήριο πιάτων σε μέγιστη θερμοκρασία 70° ή στο χέρι με ζεστό νερό χωρίς να χρησιμοποιείτε λειαντικά σφουγγαράκια (μην χρησιμοποιείτε απορρυπαντικά!).
- Στεγνώστε στο φούρνο σε μέγιστη θερμοκρασία 70° για 2 ώρες (συνιστάται να διαβάσετε προσεκτικά το εγχειρίδιο χρήσης και τις οδηγίες εγκατάστασης του φούρνου σας).

Αντικατάσταση των λαμπτήρων

Για την αντικατάσταση απευθυνθείτε σε ένα εξουσιοδοτημένο σέρβις.

Κατασκευαστής

Ikea of Sweden AB - SE - 343 81 Älmhult, Sweden

Ηλεκτρική σύνδεση

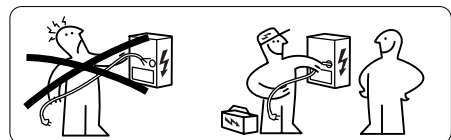


ΠΡΟΕΙΔΟΠΟΙΗΣΗ: Όλες οι ηλεκτρικές συνδέσεις πρέπει να εκτελούνται από εξουσιοδοτημένο τεχνικό εγκατάστασης.

- Πριν την εκτέλεση των συνδέσεων, ελέγξτε ότι η ονομαστική τάση της συσκευής που υποδεικνύεται στη σχετική πινακίδα στοιχείων αντιστοιχεί στην τάση της παροχής ισχύος.

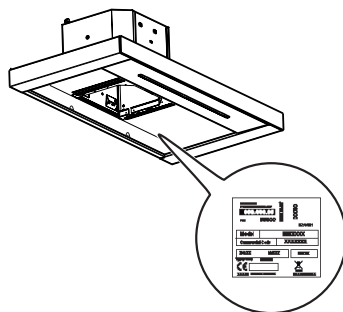


Προσοχή! Μην εκτελείτε συγκόλληση στα καλώδια!



Πινακίδα στοιχείων

Οι τεχνικές πληροφορίες αναγράφονται στην πινακίδα στοιχείων στην εσωτερική πλευρά της συσκευής.



ΕΓΓΥΗΣΗ ΙΚΕΑ

Για πόσο χρόνο ισχύει η εγγύηση ΙΚΕΑ;

Αυτή η εγγύηση ισχύει για πέντε (5) χρόνια από την ημερομηνία αγοράς της συσκευής από το ΙΚΕΑ. Η ταμειακή απόδειξη είναι απαραίτητη ως απόδειξη αγοράς. Η επισκευές που πραγματοποιούνται στο πλαίσιο της εγγύησης δεν παρατείνουν την περίοδο εγγύησης της συσκευής.

Ποιος παρέχει την τεχνική υποστήριξη;

Η τεχνική υποστήριξη των πελατών παρέχεται από τον πάροχο υπηρεσιών που ορίζει η ΙΚΕΑ μέσω της οργάνωσής της ή του δικτύου εξουσιοδοτημένων εταιριών υποστήριξης.

Τι καλύπτει η εγγύηση;

Η εγγύηση καλύπτει ενδεχόμενα ελαττώματα που αφορούν τα υλικά ή/και την κατασκευή της συσκευής και αρχίζει να ισχύει από την ημερομηνία αγοράς της συσκευής από ένα σημείο πώλησης ΙΚΕΑ. Η εγγύηση ισχύει μόνο για συσκευές που προορίζονται για οικιακή χρήση. Οι εξαιρέσεις περιγράφονται στην παράγραφο "Τι δεν καλύπτει η εγγύηση;". Κατά την περίοδο ισχύος της εγγύησης, ο πάροχος της υπηρεσίας που ορίζει η ΙΚΕΑ αναλαμβάνει το κόστος επισκευής, των ανταλλακτικών, της εργασίας και των μετακινήσεων του προσωπικού συντήρησης, εφόσον η συσκευή μπορεί να επισκευαστεί χωρίς υπερβολικά υψηλό κόστος. Οι όροι αυτοί συμμορφούνται με τις οδηγίες της ΕΕ (Αρ. 99/44/ΕΚ) και με τους ισχύοντες τοπικούς κανονισμούς. Τα εξαρτήματα που αντικαθίστανται παραμένουν στην ιδιοκτησία της ΙΚΕΑ.

Πώς επεμβαίνει η ΙΚΕΑ για την επίλυση του προβλήματος;

Ο πάροχος της υπηρεσίας που ορίζει η ΙΚΕΑ εξετάζει το προϊόν για να αποφασίσει, κατά την διαπραγματεύτη κρίση του, αν καλύπτεται από

την εγγύηση της ΙΚΕΑ. Στην περίπτωση αυτή, ο πάροχος της υπηρεσίας που ορίζει η ΙΚΕΑ ή ένας εξουσιοδοτημένος εταίρος ποιοτήριξης αποφασίζει, κατά την αδιαπραγμάτευτη κρίση του, αν θα επισκευάσει το ελαττωματικό προϊόν ή θα αντικαταστήσει με ίδιο ή αντίστοιχο προϊόν.

Τι δεν καλύπτει η εγγύηση;

- Φυσιολογική φθορά.
- Βλάβες που προκαλούνται σκοπίμως, βλάβες που οφείλονται στη μη τήρηση των οδηγιών χρήσης, σε λανθασμένη εγκατάσταση ή σύνδεση σε ακατάλληλη τάση τροφοδοσίας. Βλάβες που προκαλούνται από χημικές ή ηλεκτροχημικές αντιδράσεις, σκουριά και διάβρωση, καθώς και βλάβες που οφείλονται στο νερό, συμπεριλαμβανομένων εκείνων που προκαλούν υπερβολικά υψηλή συγκέντρωση αλάτων στους αγωγούς ύδρευσης. Βλάβες που οφείλονται σε ατμοσφαιρικά και φυσικά φαινόμενα.
- Εξαρτήματα που υπόκεινται σε φθορά, όπως μπαταρίες και λαμπτήρες.
- Διακοσμητικά και μη λειτουργικά εξαρτήματα που δεν επηρεάζουν την ομαλή χρήση της συσκευής, όπως χαρακίες και αλλοιώσεις χρώματος.
- Ακουσίες βλάβες που οφείλονται σε ουσίες ή ξένα σώματα, σε καθαρισμό ή ξεβούλωμα φίλτρων, συστημάτων αποχέτευσης ή θηκών απορριπτικού.
- Ζημιά στα ακόλουθα εξαρτήματα: κεραμικό γυαλί, αξεσουάρ, θήκες πιάτων και μαχαιροπήρουνων, σωλήνες τροφοδοσίας και αποστράγγισης, στεγανοποιητικά στοιχεία, λαμπτήρες και καλύμματα λαμπτήρων, προστασίες, πόμολα, πλαίσια και τμήματα των πλαισίων. Εξαιρεση αποτελεί η περίπτωση κατά την οποία μπορεί να αποδειχθεί ότι οι ζημιές οφείλονται σε κατασκευαστικά ελαττώματα.

- Περιπτώσεις κατά τις οποίες δεν προκύπτουν ελαττώματα κατά την επίσκεψη του τεχνικού.
- Επισκευές που δεν πραγματοποιούνται από τον πάροχο υπηρεσίας που ορίζει η IKEA ή από εξουσιοδοτημένο εταίρο υποστήριξης ή επισκευές στις οποίες χρησιμοποιήθηκαν μη γνήσια ανταλλακτικά.
- Επισκευές που οφείλονται σε λανθασμένη εγκατάσταση ή σε εγκατάσταση που δεν ανταποκρίνεται στις προδιαγραφές.
- Χρήση της συσκευής σε μη οικιακό χώρο, όπως για επαγγελματική ή εμπορική χρήση.
- Βλάβες που οφείλονται στη μεταφορά. Σε περίπτωση μεταφοράς από τον πελάτη στην κατοικία του ή σε άλλο χώρο, η IKEA δεν μπορεί να θεωρηθεί υπεύθυνη για ενδεχόμενες βλάβες που προκλήθηκαν κατά τη μεταφορά. Ωστόσο, εάν η μεταφορά στην κατοικία του πελάτη πραγματοποιηθεί από την IKEA, οι ενδεχόμενες βλάβες από τη μεταφορά καλύπτονται από την παρούσα εγγύηση.
- Κόστος πρώτης εγκατάστασης της συσκευής IKEA. Ωστόσο, εάν ο πάροχος της υπηρεσίας που ορίζει η IKEA ή ο εξουσιοδοτημένος εταίρος υποστήριξης πραγματοποιήσει επισκευή ή αντικατάσταση της συσκευής στο πλαίσιο της εγγύησης, ο πάροχος ή ο εταίρος υποστήριξης μερμούν και για την επανεγκατάσταση της επισκευασμένης ή της νέας συσκευής, εάν είναι αναγκαία.

Οι περιορισμοί αυτοί δεν εφαρμόζονται σε εργασίες που πραγματοποιούνται σύμφωνα με τους κανόνες της τέχνης από εξειδικευμένο προσωπικό και με τη χρήση γνήσιων ανταλλακτικών για την προσαρμογή της συσκευής στους κανονισμούς ασφαλείας άλλης χώρας της ΕΕ.

Εφαρμογή της εθνικής νομοθεσίας

Η εγγύηση της IKEA παρέχει στον πελάτη ειδικά νομικά δικαιώματα πλην εκείνων που ορίζει η νομοθεσία και διαφέρουν ανάλογα με τη χώρα. Ωστόσο, οι όροι αυτοί δεν περιορίζουν κατά κανένα τρόπο τα δικαιώματα του καταναλωτή που ορίζει η τοπική νομοθεσία.

Περιοχή ισχύος

Για τις συσκευές που πωλούνται σε χώρα της ΕΕ και μεταφέρονται σε άλλη χώρα της ΕΕ, οι υπηρεσίες παρέχονται σύμφωνα με τους όρους εγγύησης που ισχύουν στη χώρα προορισμού. Η υποχρέωση παροχής της υπηρεσίας σύμφωνα με τους όρους της εγγύησης ισχύει μόνον αν:

- η συσκευή και η εγκατάστασή της συμμορφώνεται με τους τεχνικούς κανονισμούς της χώρας στην οποία ζητείται η εφαρμογή της εγγύησης,
- η συσκευή και η εγκατάστασή της συμμορφώνεται με τις οδηγίες τοποθέτησης και τις πληροφορίες για την ασφάλεια που περιλαμβάνονται στις Οδηγίες χρήσης.

Υπηρεσία υποστήριξης πελατών για τις συσκευές IKEA:

Μη διστάζετε να απευθυνθείτε στην υπηρεσία Υποστήριξης Πελατών της IKEA για:

1. την εφαρμογή της εγγύησης,
2. να ζητήσετε διευκρινήσεις όσον αφορά την εγκατάσταση των συσκευών IKEA στα ειδικά έπιπλα εντοιχισμού της IKEA. Η υπηρεσία δεν παρέχει υποστήριξη ή οδηγίες όσον αφορά:
 - την εγκατάσταση πλήρων κουζινών IKEA,
 - ηλεκτρικές συνδέσεις (εάν η συσκευή διατίθεται χωρίς καλώδια ή φics), υδραυλικές συνδέσεις και συνδέσεις στην εγκατάσταση αερίου που πρέπει να γίνουν από εξουσιοδοτημένο τεχνικό του σέρβις.
3. διευκρινήσεις σχετικά με το περιεχόμενο των οδηγιών χρήσης και τα χαρακτηριστικά της συσκευής IKEA.

Για την καλύτερη εξυπηρέτησή σας, παρακαλούμε διαβάστε προσεκτικά τις οδηγίες εγκατάστασης ή/και τις οδηγίες χρήσης πριν απευθυνθείτε στην υπηρεσία.

Πώς να επικοινωνήσετε μαζί μας όταν είναι αναγκαία η παρέμβασή μας



Συμβουλευτείτε τον πλήρη κατάλογο παρόχων υπηρεσιών IKEA με τον αριθμό τηλεφώνου τους στην τελευταία σελίδα του παρόντος φυλλαδίου.

Σημαντικό! Για ταχύτερη εξυπηρέτηση, συνιστάται να χρησιμοποιείτε τους αριθμούς τηλεφώνου του καταλόγου στο τέλος του παρόντος φυλλαδίου. Για να ζητήσετε την επέμβαση του σέρβις, σημειώστε πρώτα τους κωδικούς της συσκευής που αναγράφονται στο παρόν φυλλάδιο. Πριν επικοινωνήσετε μαζί μας, βεβαιωθείτε ότι έχετε πρόχειρο τον οκταψήφιο κωδικό προϊόντος IKEA της συσκευής για την οποία ζητάτε υποστήριξη.

Σημαντικό! ΦΥΛΑΞΤΕ ΤΗΝ ΑΠΟΔΕΙΞΗ ΑΓΟΡΑΣ!

Η επίδειξη της απόδειξης αγοράς είναι αναγκαία για την παροχή της εγγύησης. Στην απόδειξη αγοράς αναγράφονται επίσης η ονομασία και ο οκταψήφιος κωδικός της συσκευής IKEA.

Χρειάζεστε άλλη βοήθεια;

Για οποιαδήποτε άλλη ερώτηση που δεν αφορά την υπηρεσία Υποστήριξης Πελατών. Επικοινωνήστε με το τηλεφωνικό κέντρο του πλησιέστερου καταστήματος IKEA. Πριν επικοινωνήσετε μαζί μας, σας συνιστούμε να διαβάσετε προσεκτικά το φυλλάδιο της συσκευής.

Veiligheidsinformatie

-  Voor uw veiligheid en voor een correcte werking van het apparaat moet deze handleiding voorafgaand aan de installatie en het gebruik aandachtig gelezen worden. Bekijk de waarschuwingsafbeeldingen aan het begin van deze handleiding aandachtig. Raadpleeg voor een correcte en volledige installatie de specifieke installatiehandleiding die samen met het product wordt geleverd. Bewaar deze instructies altijd bij het apparaat, ook wanneer u het verplaatst of verkoopt. Gebruikers moeten volledig op de hoogte zijn van de werking en de veiligheidsfuncties van het apparaat.
-  De aansluiting van de kabels moet worden uitgevoerd door een gespecialiseerde technicus.
- De fabrikant is niet aansprakelijk voor eventuele schade als gevolg van een onjuiste installatie of oneigenlijk gebruik.
 - De minimale veiligheidsafstand tussen een elektrische kookplaat en de afzuigkap bedraagt 500mm, en voor een gaskookplaat 650mm.
 - Als de installatievoorschriften van de gaskookplaat bepalen dat een grotere afstand in acht moet worden genomen dan hierboven is aangegeven, dan moet daar rekening mee worden gehouden.
 - Controleer of de netspanning overeenstemt met de spanning die op het typeplaatje aan de binnenkant van de afzuigkap staat vermeld.
 - Er moeten lastscheiders in de vaste installatie worden geïnstalleerd in overeenstemming met de normen over bedradingssystemen.
 - Controleer voor apparaten van klasse I of het elektriciteitsnet in uw woning over een goede aarding beschikt.
 - Sluit de afzuigkap aan op

het rookkanaal door middel van een pijp met een minimale diameter van 120 mm. Het stuk pijp moet zo kort mogelijk zijn.

- Sluit de afzuigkap niet op rookkanalen aan die verbrandingsgassen afvoeren (bijv. van verwarmingsketels, open haarden, enz.).
- Als de afzuigkap in combinatie met niet-elektrische apparaten wordt gebruikt (bijv. gasapparaten), moet het vertrek voldoende geventileerd zijn om te voorkomen dat de uitgestoten gassen terugstromen. Wanneer de afzuigkap in combinatie met niet-elektrische apparaten wordt gebruikt, mag de onderdruk in het vertrek niet groter zijn dan 0,04 mbar om te voorkomen dat de damp opnieuw door de afzuigkap in het vertrek gezogen wordt.
- De lucht mag niet worden afgevoerd door een kanaal dat wordt gebruikt voor de rookgasafvoer door apparaten op gas of andere brandstoffen.
- Een beschadigde voedingskabel moet door de fabrikant of door een monteur van de technische servicedienst worden vervangen.
- Sluit de stekker op een toegankelijk stopcontact aan dat voldoet aan de geldende normen.
- Met betrekking tot de technische en veiligheidsmaatregelen voor de rookgasafvoer is het belangrijk dat de regels die door de lokale autoriteiten zijn bepaald nauwgezet worden opgevolgd.



WAARSCHUWING: Voorafgaand aan de installatie van de afzuigkap moet eventuele beschermende folie verwijderd worden.

- Gebruik alleen schroeven en kleine onderdelen die geschikt zijn voor de afzuigkap.



WAARSCHUWING: Als schroeven en bevestigingselementen niet in overeenstemming met deze aanwijzingen worden geïnstalleerd, kan dit

resulteren in elektrische gevaren.

- Sluit de afzuigkap aan op het elektriciteitsnet door middel van een tweepolige schakelaar met een minimale afstand tussen de contacten van 3 mm.
- Niet direct met optische instrumenten (verrekijker, vergrootglas...) waarnemen.
- Er mag niet onder de afzuigkap geflambeerd worden: brandgevaar.
- Het apparaat mag worden gebruikt door kinderen ouder dan 8 jaar en door personen met een lichamelijke, zintuiglijke of geestelijke beperking of met onvoldoende ervaring en kennis, mits ze onder toezicht staan en goed geïnstrueerd zijn over een veilig gebruik van het apparaat en de gevaren die ermee samenhangen. Zorg ervoor dat kinderen niet met het apparaat spelen. Reiniging en onderhoud door de gebruiker mogen niet door kinderen worden

uitgevoerd, tenzij ze onder toezicht staan.

- Kinderen moeten worden gecontroleerd om er zeker van te zijn dat ze niet met het apparaat spelen.
- Het apparaat mag niet gebruikt worden door personen (waaronder kinderen) met geestelijke, lichamelijke of zintuiglijke beperkingen, of door personen zonder ervaring en kennis, tenzij ze onder toezicht staan of worden geïnstrueerd over het gebruik van het apparaat.



Tijdens het gebruik van de kooktoestellen kunnen de bereikbare delen erg heet worden.

- De filters reinigen en/of vervangen na de aangegeven tijdsperiode (brandgevaar).
- De ruimte moet voldoende geventileerd zijn als de afzuigkap tegelijk met apparaten op gas of andere brandstoffen wordt gebruikt (niet van toepassing op apparaten die alleen lucht in de ruimte blazen).

Installatie

Werkwijze voor de installatie

De afzuigkap is ontworpen om als 'model met luchtafvoer naar buiten' of als 'model met luchtcirculatie' geïnstalleerd en gebruikt te worden.

Model met luchtafvoer naar



buiten (zie het symbool  in de installatiehandleiding)

De kookdampen worden naar buiten afgezogen door een (niet bijgeleverde) afvoerpijp die op de luchtuitlaat van de afzuigkap is bevestigd.

Controleer of de afvoerpijp bij de luchtuitlaat correct geïnstalleerd is met een geschikt bevestigingssysteem.

Model met luchtcirculatie (zie het symbool



 in de installatiehandleiding)

De lucht wordt door één of meerdere filters gefilterd en daarna weer de ruimte ingevoerd.

Belangrijk: Controleer of er een correcte luchtcirculatie rondom de afzuigkap is.

Belangrijk: Als de kap geen koolstoffilters heeft, dienen ze te worden besteld; pas nadat de filters zijn gemonteerd mag de kap in gebruik worden genomen. De filters zijn in de handel verkrijgbaar.

De afzuigkap moet uit de buurt van zeer vuile plaatsen, ramen, deuren en warmtebronnen worden geïnstalleerd.

De accessoires voor de wandbevestiging zijn niet bijgeleverd, omdat ze variëren afhankelijk van het materiaal van de wand.

Gebruik geschikte bevestigingssystemen voor de wanden van uw woning en voor het gewicht van het apparaat. Neem voor meer informatie contact op met een gespecialiseerde dealer.

Bewaar deze instructies voor toekomstige raadpleging.

Milieuaspecten

Verwijdering van huishoudelijke apparaten

- Het symbool  op het product of de verpakking geeft aan dat het product niet samen met normaal huishoudelijk afval verwijderd mag worden. Het product moet worden ingeleverd bij een in de verwerking van elektrische en elektronische apparatuur gespecialiseerd inzamelcentra. Door er voor te zorgen dat dit product op gepaste manier wordt verwijderd, helpt u de eventuele negatieve gevolgen van een onjuiste verwijdering voor het milieu en de gezondheid te voorkomen.

Neem voor meer informatie over de recycling van dit product contact op met de plaatselijke instanties, het plaatselijke afvalverwerkingsbedrijf of de winkel waar het product is aangekocht.

Verwijdering van verpakkingsmateriaal

Materialen gemarkeerd met het symbool  kunnen gerecycled worden. Gooi het verpakkingsmateriaal weg in de daarvoor bestemde bakken voor de recycling van het materiaal.

Reiniging en onderhoud

Gebruik

- Schakel het apparaat uit of koppel het los van het elektriciteitsnet alvorens onderhoudswerkzaamheden uit te voeren.
- De afzuigkap mag niet worden gebruikt als draagvlak.
- De afzuigkap is uitsluitend bedoeld voor huishoudelijk gebruik om kookgeuren te verwijderen.
- Gebruik de afzuigkap nooit voor andere doeleinden dan waarvoor hij bedoeld is.
- Laat nooit hoog brandende branders onbedekt onder een werkende afzuigkap.
- Regel de vlammen altijd zo dat ze uitsluitend de bodem van de pan verhitten en niet langs de pan omhoogkomen.
- Controleer frituurpannen tijdens het gebruik: de oververhitte olie zou vlam kunnen vatten.

Reiniging en onderhoud

- Vetfilters moeten om de 2 maanden van werking gereinigd worden, of vaker in geval van een bijzonder intensief gebruik, om potentieel brandgevaar te voorkomen; de filters kunnen in een vaatwasser gewassen worden.
- Ze kunnen in de afwasmachine worden gewassen. Maak de afzuigkap schoon met een vochtige doek en een mild vloeibaar schoonmaakmiddel.

Verzorging en reiniging long life Koolfilter (Groen)

- Het geurfilter kan om de 3-4 maanden gewassen en geregenereerd worden (of vaker in geval van een bijzonder intensief gebruik van de afzuigkap) tot maximaal 8 regeneratiecycli (in geval van uiterst intensief gebruik wordt aangeraden de 5 cycli niet te overschrijden).

Regeneratieprocedure:

- Was in de vaatwasmachine, bij een MAX temperatuur van 70° of was met de hand in heet water, zonder gebruik van schuursponsjes (gebruik geen reinigingsmiddelen!).
- Droog gedurende 2 uur in de oven bij een MAX temperatuur van 70° (aanbevolen wordt om de gebruikershandleiding en de montage-instructies van uw oven aandachtig te lezen).

Vervangen van de lampen

Neem voor de vervanging contact op met een erkend servicecentrum.

Fabrikant

Ikea of Sweden AB - SE - 343 81 Älmhult, Zweden

Elektrische aansluiting

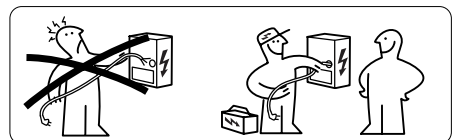


WAARSCHUWING: Alle elektrische aansluitingen moeten door een erkende installateur worden uitgevoerd.

- Controleer voorafgaand aan de aansluiting of de nominale spanning van het apparaat, aangegeven op het betreffende typeplaatje, overeenkomt met de spanning van het voedingsnet.

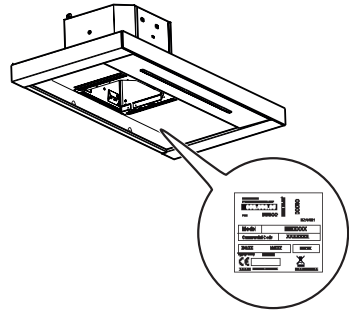


Opgeliet! De kabels mogen niet gelast worden!



Typeplaatje

De technische gegevens zijn op het plaatje in het apparaat vermeld.



IKEA-GARANTIE

Hoelang is de garantie van IKEA geldig?

Deze garantie is vijf (5) jaar geldig vanaf de oorspronkelijke aankoopdatum van het apparaat bij IKEA. De originele kassabon is vereist als aankoopbewijs. Als er tijdens de garantieperiode werkzaamheden worden uitgevoerd, wordt de garantieperiode van het apparaat niet verlengd.

Wie voert de service uit?

De IKEA-servicedienst zal de service uitvoeren via het eigen bedrijf of het erkende servicepartnernetwerk.

Wat valt er onder de garantie?

De garantie dekt eventuele materiaal- en/of constructiefouten van het apparaat en is geldig vanaf de aankoopdatum van het apparaat bij IKEA. De garantie geldt alleen voor apparaten die voor huishoudelijk gebruik bestemd zijn. De uitzonderingen zijn beschreven onder het punt "Wat valt er niet onder de garantie?" Binnen de garantieperiode draagt de servicedienst van IKEA de kosten voor reparaties, onderdelen, arbeidsloon, reis- en verblijfskosten van het onderhoudspersoneel, mits het product zonder al te hoge kosten kan worden gerepareerd. Deze voorwaarden voldoen aan de EU-richtlijnen (nr. 99/44/EG) en aan de plaatselijke voorschriften. Vervangen delen worden eigendom van IKEA.

Wat doet IKEA om het probleem op te lossen?

De door IKEA aangestelde servicedienst onderzoekt het product en bepaalt naar eigen goeddunken of het onder de garantiedekking van IKEA valt. Als het gedekt blijkt te zijn, zal de IKEA-servicedienst of de erkende servicepartner, naar eigen

goeddunken, ofwel het defecte product repareren of het vervangen door hetzelfde of een vergelijkbaar product.

Wat valt er niet onder de garantie?

- Normale slijtage.
- Opzettelijk aangebrachte schade of schade door het niet opvolgen van de bedieningshandleiding, onjuiste installatie of aansluiting op een verkeerd voltage. Schade als gevolg van chemische of elektrochemische reacties, roest, corrosie of waterschade, inclusief schade veroorzaakt door een te hoog kalkgehalte in de waterleidingen. Schade als gevolg van weersomstandigheden of natuurverschijnselen.
- Verbruiksonderdelen, bijvoorbeeld batterijen en lampjes.
- Niet-functionele en decoratieve onderdelen die niet van invloed zijn op het normale gebruik van het apparaat, inclusief eventuele krassen en mogelijke kleurverschillen.
- Onvoorziene schade veroorzaakt door vreemde voorwerpen of stoffen en het reinigen of deblokken van filters, afvoersystemen of wasmiddellades.
- Beschadiging van de volgende onderdelen: keramisch glas, accessoires, manden voor vaatwerk en bestek, toe- en afvoerleidingen, afdichtingen, lampen en lampenkappen, schermen, knoppen, behuizingen en delen van behuizingen. Tenzij kan worden bewezen dat dergelijke schade is veroorzaakt door productiefouten.
- Gevallen waarbij geen storing geconstateerd kon worden tijdens het bezoek van een monteur.
- Reparaties die niet zijn uitgevoerd door servicediensten die door IKEA aangestelde zijn en/

of een erkende servicepartner of wanneer er niet-originele onderdelen gebruikt zijn.

- Reparaties die veroorzaakt zijn door installatie die verkeerd of niet in overeenstemming met de specificatie is uitgevoerd.
- Gebruik van het apparaat in een niet- huishoudelijke omgeving d.w.z. professioneel of commercieel gebruik.
- Transportschade. Indien het apparaat door een klant naar zijn huis of een ander adres is vervoerd, kan IKEA niet aansprakelijk gesteld worden voor eventuele transportschade. Indien IKEA het apparaat aflevert op het door de klant aangegeven adres, dan is eventuele schade die ontstaan is tijdens het transport gedekt door de garantie.
- Kosten voor de uitvoering van de installatie van het IKEA-apparaat. Indien de IKEA-servicedienst of de erkende servicepartner het apparaat, binnen de voorwaarden van deze garantie, repareert of vervangt, zal de servicedienst of de erkende servicepartner, indien nodig, het gerepareerde apparaat of het vervangende apparaat installeren.

Deze beperking is niet van toepassing op foutloze werkzaamheden uitgevoerd door een gekwalificeerd specialist met gebruik van onze originele onderdelen teneinde het apparaat aan te passen aan de veiligheidsspecificaties van een ander EU-land.

Hoe zijn de landelijke wetten van toepassing

De garantie van IKEA geeft de klant specifieke wettelijke rechten, in aanvulling op alle wettelijke rechten die per land verschillend zijn. Deze voorwaarden beperken echter op geen enkele wijze de rechten van de consument die door de lokale wetgeving is bepaald.

Geldigheidsgebied

Voor apparaten die in een EU-land zijn gekocht en naar een ander EU-land zijn gebracht, wordt de service verleend op basis van de garantievoorwaarden die in het nieuwe land van toepassing zijn. Een verplichting om diensten te verlenen in het kader van de garantie bestaat uitsluitend als:

- het apparaat en de installatie ervan voldoen aan de technische specificaties van het land waarin aanspraak gemaakt wordt op de garantie;
- het apparaat en de installatie ervan in overeenstemming zijn met de montage- instructies en de veiligheidsinformatie die in de gebruikershandleiding staan.

After-saleservice voor de IKEA-apparaten:

Aarzel niet om contact op te nemen met de after-saleservice van IKEA om:

1. een beroep te doen op deze garantie;
2. uitleg te vragen over de installatie van het IKEA apparaat in het specifieke inbouwmeubel van IKEA. De service biedt geen hulp of informatie met betrekking tot:
 - de installatie van complete IKEA-keukens;
 - aansluitingen op het elektriciteitsnet (als het apparaat zonder kabels en stekkers is geleverd), op de water- en gasleiding, want dit moet gedaan worden door een erkende servicemonteur.
3. uitleg te vragen over de gebruikershandleiding en de specificaties van het IKEA-apparaat.

Om ervoor te zorgen dat wij u de beste service verlenen, verzoeken wij u de montage-instructies en/ of de gebruikershandleiding zorgvuldig te lezen voordat u contact met ons opneemt.

Hoe kunt u ons bereiken als u hulp nodig hebt



Op de laatste pagina van deze handleiding vindt u de volledige lijst van IKEA-servicebedrijven met de bijbehorende nationale telefoonnummers.

Belangrijk! Voor een snellere service is het aanbevolen om de telefoonnummers aan het einde van deze handleiding te gebruiken. Vermeld bij de vraag om ondersteuning altijd de specifieke codes van het apparaat, die u in deze handleiding vindt. Controleer of u de (8-cijferige) productcode van IKEA van het apparaat waarvoor u ondersteuning vraagt binnen handbereik hebt, voordat u contact met ons opneemt.

Belangrijk! BEWAAR DE KASSABON!

Dit is het aankoopbewijs en moet kunnen worden getoond om gebruik te kunnen maken van de garantie. Op de kassabon zijn ook de naam en de (8-cijferige) code van het aangeschafte IKEA-apparaat vermeld.

Hebt u nog meer hulp nodig?

Voor verdere vragen die niet gerelateerd zijn aan de after-saleservice van uw apparaten. Neem contact op met het callcenter van de dichtstbijzijnde IKEA winkel. Het is aanbevolen om de documentatie van het apparaat aandachtig te lezen, alvorens contact met ons op te nemen.

Informacje dotyczące bezpieczeństwa

-  Ze względów bezpieczeństwa oraz aby zagwarantować prawidłowe funkcjonowanie, przed przystąpieniem do instalacji i użytkowania urządzenia należy zapoznać się z treścią niniejszej publikacji. Należy się uważnie zapoznać z ostrzeżeniami graficznymi znajdującymi się na początku niniejszej instrukcji. W celu wykonania poprawnej i kompletnej instalacji, powołać się na instrukcję dotyczącą instalacji dostarczoną wraz z produktem. Instrukcję obsługi należy trzymać zawsze w pobliżu urządzenia oraz przekazać ją razem z urządzeniem osobom trzecim. Ważne jest, aby wszyscy użytkownicy znali sposób działania oraz zasady bezpieczeństwa produktu.
-  Podłączenie przewodów powinno być wykonane przez wykwalifikowanego instalatora.
- Producent nie ponosi odpowiedzialności za ewentualne szkody spowodowane przez nieprawidłową instalację lub użytkowanie.
 - Minimalna odległość bezpieczeństwa pomiędzy powierzchnią kuchenki a okapem wynosi: w przypadku płyty elektrycznej 500mm, w przypadku płyty gazowej 650mm.
 - Jeśli instrukcja instalacji kuchenki gazowej wskazuje na potrzebę zastosowania większej odległości niż podana powyżej, należy to wziąć pod uwagę.
 - Sprawdzić, czy napięcie w sieci elektrycznej odpowiada danym umieszczonym na tabliczce znamionowej znajdującej się wewnątrz okapu.
 - Urządzenia przełączające muszą być zainstalowane w instalacji stałej zgodnie z obowiązującymi przepisami dotyczącymi okablowania.
 - W przypadku urządzeń Klasy

- I, skontrolować czy domowa sieć zasilająca posiada odpowiednie uziemienie.
- Podłączyć okap do kanału wywiewnego za pomocą rury o średnicy minimalnej równej 120 mm. Długość kanału powinna być jak najkrótsza.
 - Trasa rury powinna być możliwie najkrótsza. Nie podłączać okapu do przewodów odprowadzających spalinę (np. z kotłów, kominków itp.).
 - Jeżeli okap używany jest w połączeniu z kuchenkami nieelektrycznymi (np. gazowymi), należy zagwarantować odpowiedni poziom wentylacji lokalu, tak aby zapobiec powrotowi spalin z komina. Jeżeli okap używany jest w połączeniu z kuchenkami nieelektrycznymi, podciśnienie w pomieszczeniu nie może przekraczać 0,04 mbar, aby zapobiec powrotowi spalin.
 - Powietrze nie może być przesyłane do przewodu kominowego wykorzystywanego do usuwania spalin urządzeń zasilanych gazem lub innymi materiałami palnymi.
- Jeżeli kabel zasilający ulegnie uszkodzeniu, musi on zostać wymieniony przez producenta lub jego serwisanta.
 - Wtyczkę należy podłączyć do gniazdka odpowiedniego typu zgodnie z obowiązującymi normami oraz w miejscu łatwo dostępnym.
 - W odniesieniu do kwestii technicznych oraz bezpieczeństwa należy ściśle przestrzegać obowiązujących przepisów dotyczących odprowadzania spalin, ustanowionych przez władze lokalne.
-  **OSTRZEŻENIE:** Przed przystąpieniem do instalacji okapu należy zdjąć folie ochronne.
- Używać wyłącznie śrub oraz osprzętu typu odpowiedniego dla danego okapu.
-  **OSTRZEŻENIE:** Brak śrub lub elementu osprzętu zgodnych z instrukcją może być przyczyną porażenia

prądem.

- Podłączyć okap do sieci zasilającej, montując wyłącznik dwubiegunowy o rozwarciu styków co najmniej 3 mm.
- Nie należy na nią patrzeć za pomocą narzędzi optycznych (lornetka, szkło powiększające...).
- Nie zapalać potraw pod okapem: może to być przyczyną pożaru.
- Niniejsze urządzenie może być używane przez dzieci w wieku poniżej 8 lat oraz osoby o ograniczonych zdolnościach psychicznych, fizycznych i zmysłowych lub o niedostatecznym doświadczeniu i wiedzy, jednak należy je nadzorować i poinstruować w kwestii obsługi urządzenia oraz związanych z tym zagrożeń. Należy upewnić się, że dzieci nie będą bawiły się urządzeniem. Czyszczenie i konserwacja urządzenia nie powinny być wykonywane przez dzieci, chyba że są one nadzorowane.

- Dzieci nie należy zostawiać bez nadzoru i nie należy im zezwalać na zabawę urządzeniem.
- Urządzenie nie powinno być użytkowane przez osoby (i dzieci) o ograniczonych zdolnościach psychicznych, fizycznych i zmysłowych lub o niedostatecznym doświadczeniu i wiedzy, o ile nie są one nadzorowane i instruowane



- Łatwo dostępne części urządzenia mogą się bardzo nagrzewać w trakcie użytkowania kuchenki.
- Umyć i/lub wymienić filtry po określonym czasie (zagrożenie pożarowe).
- Należy zapewnić odpowiednią wentylację pomieszczenia, gdy okap kuchenny jest używany wraz innymi urządzeniami spalającymi gaz lub inne paliwa (nie dotyczy urządzeń, które tylko odprowadzają powietrze z powrotem do pomieszczenia)

Instalacja

Sposób montażu

Okap został skonstruowany do montażu i użytkowania w wersji zasysającej lub wersji z recyrkulacją powietrza.

Wersja zasysająca (patrz: symbol w instrukcji montażu)

Para powstająca w trakcie gotowania jest zasysana i odprowadzana na zewnątrz pomieszczenia poprzez rury wylotowe (niedostarczone wraz z urządzeniem), zainstalowane na wylocie pary z okapu. Należy się upewnić, że rura wylotowa została poprawnie zainstalowana u wylotu powietrza przy zastosowaniu odpowiedniego systemu łączącego.

Wersja z recyrkulacją powietrza (patrz:

symbol w instrukcji montażu)

Powietrze filtrowane jest przez jeden lub więcej filtrów, a następnie ponownie wprowadzane do pomieszczenia.


Uwaga: Upewnij się, że wokół okapu jest prawidłowa cyrkulacja powietrza.

Uwaga: Jeśli wraz z okapem nie dostarczoneo filtrów węglowych, filtry należy zamówić i zamontować przed rozpoczęciem użytkowania urządzenia. Filtry są dostępne w powszechnej sprzedaży.

Okap należy montować z dala od miejsc szczególnie brudnych, okien, drzwi i źródeł ciepła. Elementy do montażu naściennego nie zostały dostarczone wraz z urządzeniem, ponieważ należy je dostosować do materiału, z którego wykonana jest ściana. Należy zastosować systemy mocowania dopasowane do typu ścian w danym pomieszczeniu oraz do ciężaru urządzenia. W celu uzyskania bardziej szczegółowych informacji należy skontaktować się z autoryzowanym sprzedawcą. Zachować instrukcję do wglądu na przyszłość.


Aspekty ochrony środowiska

Utylizacja sprzętu AGD

- Symbol  znajdujący się na urządzeniu lub jego opakowaniu oznacza, że nie wolno danego urządzenia wyrzucać razem ze zwykłymi odpadami domowymi. Zużyty produkt należy przekazać do centrum zbiórki odpadów, specjalizującego się w recyklingu komponentów elektrycznych i elektronicznych. Usuwając produkt w sposób właściwy, zapobiegasz ewentualnym ujemnym wpływom na środowisko naturalne oraz na zdrowie ludzi, które mogłyby powstać w wyniku niewłaściwej utylizacji.

Szczegółowe informacje na temat recyklingu tego produktu można uzyskać w urzędzie miasta/gminy, lokalnych instytucjach zajmujących się likwidacją odpadów lub w sklepie, w którym produkt został zakupiony.

Utylizacja materiałów opakowaniowych

Materiały oznaczone symbolem  nadają się do ponownego przetworzenia. Materiały te należy wyrzucić do odpowiednich pojemników.

Czyszczenie i konserwacja

Użytkowanie

- Przed rozpoczęciem czyszczenia wyłączyć urządzenie lub odłączyć je od źródła zasilania elektrycznego.
- Na okapie nie należy stawiać żadnych przedmiotów.
- Okap został zaprojektowany wyłącznie do użytku domowego, do eliminacji zapachów kuchennych.
- Okapu nie należy używać do celów innych niż te, do których jest on przeznaczony.
- Nie wolno nigdy pozostawiać dużego ognia pod działającym okapem.
- Intensywność płomienia regulować tak, aby znajdował się wyłącznie pod naczyniem do gotowania i nie obejmował brzegów.
- Nie zostawiać frytownic bez nadzoru podczas używania: rozgrzany olej może się zapalić.

Czyszczenie i konserwacja

- Filtry przeciwtłuszczowe należy myć co 2 miesiące lub częściej w razie intensywnego użytkowania, aby uniknąć potencjalnego ryzyka pożaru i można je myć w zmywarce.
- Zaleca się czyszczenie okapu przy pomocy wilgotnej ściereczki i neutralnego płynu do mycia.

Czyszczenie i konserwacja filtra węglowego o długotrwałym działaniu (zielony)

- Filtr antyzapachowy można myć oraz regenerować co 3-4 miesiące (lub częściej w przypadku intensywnego użytkowania okapu), maksymalnie do 8 cykli regeneracji (w przypadku użytkowania szczególnie intensywnego zaleca się nie przekraczać 5 cykli).

Procedura regeneracji:

- Umyć w zmywarce w temperaturze MAKS. 70° lub ręcznie w gorącej wodzie, nie używając myjek ściernych (nie używać detergentów!).
- Osuszyć w piekarniku w temperaturze MAKS. 70° przez 2 godziny (zaleca się uważnie przeczytać instrukcję obsługi oraz instalacji używanego piekarnika).

Wymiana żarówek

W celu wymiany skontaktować się z Autoryzowanym Centrum Serwisowym.

Producent

Ikea of Sweden AB - SE - 343 81 Älmhult, Szwecja

Podłączenia elektryczne

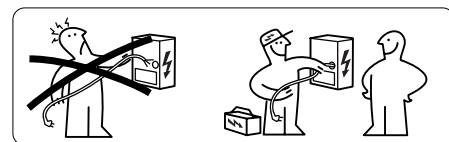


OSTRZEŻENIE: Podłączenie przewodów powinno być wykonane przez wykwalifikowanego instalatora.

- Przed przystąpieniem do podłączenia przewodów, należy sprawdzić, czy napięcie w sieci elektrycznej odpowiada danym umieszczonym na tabliczce znamionowej.

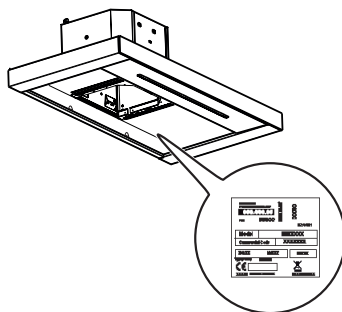


Przeostrożenie! Nie spawać kabli!



Tabliczka znamionowa

Dane techniczne umieszczono na tabliczce znamionowej zainstalowanej wewnątrz urządzenia.



GWARANCJA IKEA

Jak długo zachowuje ważność gwarancja firmy IKEA?

Niniejsza gwarancja jest ważna przez pięć (5) lat od daty zakupu urządzenia w sklepie IKEA. Należy zachować oryginał dowodu zakupu. Naprawa gwarancyjna nie skutkuje przedłużeniem okresu gwarancji urządzenia.

Kto dokonuje naprawy?

Serwis techniczny będzie gwarantowany przez autoryzowanego dostawcę IKEA, poprzez organizację własną lub sieć autoryzowanych partnerów.

Co obejmuje gwarancja?

Gwarancja obejmuje ewentualne wady materiałowe lub konstrukcyjne urządzenia i jest ważna od daty zakupu urządzenia w jednym ze sklepów IKEA. Gwarancja zachowuje swą ważność wyłącznie w odniesieniu do urządzeń użytkowanych w gospodarstwach domowych. Wyjątki opisano w rozdziale "Czego nie obejmuje gwarancja?" W okresie obowiązywania gwarancji, dostawca wyznaczony przez IKEA poniesie koszty związane z naprawą, częściami zamiennymi, robocizną i przejazdem personelu, pod warunkiem że produkt może być naprawiony bez zbyt wysokich wydatków. Warunki te są zgodne z postanowieniami dyrektywy UE (nr 99/44/CE) oraz odpowiednimi normami i rozporządzeniami lokalnymi. Wymienione części pozostaną do dyspozycji IKEA.

Jakie działania podejmie IKEA w celu rozwiązania problemu?

Dostawca wyznaczony przez IKEA dokona oceny produktu w celu ustalenia, według własnego uznania, czy dana usterka objęta jest gwarancją IKEA. Jeśli usterka objęta jest gwarancją, dostawca wyznaczony przez IKEA zdecydowanie, według własnego uznania,

czy wadliwy produkt naprawić, czy też wymienić na produkt jednakowy lub równoważny.

Czego nie obejmuje gwarancja?

- Normalnego zużycia.
- Szkód spowodowanych celowo, szkód powstałych na skutek niestosowania się do instrukcji obsługi, szkód powstałych na skutek nieprawidłowego montażu lub podłączenia do zbyt wysokiego napięcia. Szkód powstałych na skutek reakcji chemicznych lub elektrochemicznych, rdzy, korozji, wody, włącznie ze szkodami wynikającymi z nadmiernej obecności kamienia w instalacji wodnej. Szkód powstałych na skutek zjawisk atmosferycznych i naturalnych.
- Części zużywających się, na przykład baterii i żarówek.
- Części dekoracyjnych i nie funkcjonalnych, które nie wpływają na normalne działanie urządzenia, na przykład zadrapań i zmian koloru.
- Szkód powstałych na skutek stosowania substancji lub ciał obcych w trakcie czyszczenia lub przeczyszczania filtrów, systemów wylotowych lub zbiorników na środki czyszczące.
- Uszkodzeń części takich jak: dewitryfikaty, wyposażenie dodatkowe, koszyki na naczynia i sztućce, rury zasilające i odpływowe, uszczelki, żarówki wraz z odpowiednimi oprawkami, osłony, uchwyty, obudowy i części obudowy lub osłony. Poza sytuacjami, w których szkody powstały na skutek wad produkcyjnych.
- Przypadków, w których wady nie zostały stwierdzone w trakcie wizyty technika.
- Napraw przeprowadzonych przez dostawców innych niż dostawcy wyznaczeni przez IKEA lub autoryzowani partnerzy oraz napraw, do których

- zostały użyte nieoryginalne części zamienne.
- Napraw koniecznych na skutek nieprawidłowego lub niezgodnego ze specyfikacjami montażu.
- Użytkowania urządzenia poza gospodarstwem domowym, na przykład użytkowania profesjonalnego lub handlowego.
- Szkód powstałych w trakcie transportu. W przypadku transportu własnego klienta, pod adres własny lub inny, IKEA nie ponosi jakiegokolwiek odpowiedzialności za szkody powstałe w trakcie transportu. Jeśli transport pod adres klienta wykonywany jest przez IKEA, gwarancja obejmuje ewentualne szkody powstałe na jego skutek.
- Kosztów pierwszego montażu urządzenia IKEA. Jeśli dostawca wyznaczony przez IKEA lub jeden z autoryzowanych partnerów dokona naprawy lub wymiany urządzenia w ramach gwarancji, tenże dostawca lub partner zobowiązany będzie również do ponownego montażu naprawionego urządzenia lub do montażu urządzenia zastępczego (jeśli będzie to konieczne).

Ograniczenia te nie znajdują zastosowania w odniesieniu do prac wykonanych zgodnie z zasadami dobrej praktyki przez wykwalifikowany personel oraz z zastosowaniem oryginalnych części zamiennych, użytych w celu dostosowania urządzenia do norm bezpieczeństwa obowiązujących w innym z krajów UE.

Zastosowanie norm krajowych

Gwarancja IKEA daje klientom szczególne prawa, stanowiące dodatek do praw przewidzianych ustawodawstwem danego kraju. Prawa te w żaden sposób nie ograniczają praw konsumenta wynikających z ustawodawstwa lokalnego

Obszar ważności

W odniesieniu do urządzeń zakupionych w jednym z krajów UE i zainstalowanych w innym z krajów UE, usługa serwisowa będzie świadczona zgodnie z warunkami gwarancji obowiązującymi w kraju, w którym urządzenie zostało zainstalowane. Obowiązek dostarczenia usługi serwisowej na warunkach opisanych w gwarancji istnieje wyłącznie jeśli:

- urządzenie jest zgodne i zostało zainstalowane zgodnie ze specyfikacjami technicznymi obowiązującymi w kraju, w którym korzysta się z gwarancji;
- urządzenie jest zgodne i zostało zainstalowane zgodnie z instrukcją montażu oraz z informacjami dotyczącymi bezpieczeństwa, zawartymi w Instrukcji Obsługi; \

Serwis posprzedażowy dla urządzeń IKEA:

Skontaktujcie się Państwo bez wahania z serwisem posprzedażowym IKEA jeśli:

- chcecie skorzystać z gwarancji;
- chcecie uzyskać wyjaśnienia na temat sposobu montażu urządzeń IKEA w konkretnych modelach mebli do zabudowy IKEA. Serwis nie udziela informacji i wyjaśnień dotyczących:
 - montażu kompletnych kuchni IKEA;
 - połączeń elektrycznych (jeśli urządzenie zostało dostarczone bez kabli i wtyczek), przyłączy hydraulicznych i połączeń z instalacją gazową. Za tego typu czynności odpowiada autoryzowany technik.
- chcecie uzyskać wyjaśnienia dotyczące treści instrukcji obsługi lub specyfikacji urządzenia IKEA. W celu zagwarantowania jak najwyższej jakości usług, przed skontaktowaniem się z naszym serwisem prosimy o uważne zapoznanie się z treścią Instrukcji montażu i/lub Instrukcji obsługi.

Jak się z nami skontaktować, aby uzyskać pomoc



Kompletną listę i numery telefonów dostawców usług IKEA znajdziecie Państwo na ostatniej stronie niniejszej instrukcji.

Uwaga! W celu umożliwienia jak najszybszego kontaktu, zalecamy korzystanie z numerów telefonów, które znajdziecie Państwo na ostatniej stronie niniejszej instrukcji. W trakcie kontaktu z naszym serwisem należy podać kody urządzenia – znajdziecie je Państwo w niniejszej instrukcji. Przed skontaktowaniem się z naszym serwisem, upewnijcie się Państwo że macie w pobliżu kod produktu IKEA (8-cyfrowy), identyfikujący urządzenie w odniesieniu do którego konieczna jest pomoc.

Uwaga! NALEŻY ZACHOWAĆ PARAGON!

Stanowi on dowód zakupu i jest niezbędny do tego, by móc skorzystać ze świadczeń gwarancyjnych. Na paragonie znajdziecie Państwo również nazwę i 8-cyfrowy kod zakupionego urządzenia IKEA.

W czym możemy jeszcze pomóc?

W celu uzyskania odpowiedzi na pytania nie związane z serwisem posprzedażowym sprzętu. Prosimy o kontakt z call center najbliższego sklepu IKEA. Przed skontaktowaniem się z nami, zalecamy uważne zapoznanie się z treścią dokumentacji dostarczonej wraz z urządzeniem.

Güvenlik hakkında bilgiler

- ⓘ Kendi güvenliğiniz açısından ve cihazın düzgün çalışması için, kurulum ve devreye alma işlemlerini gerçekleştirirmeden önce, lütfen bu kılavuzu dikkatlice okuyun. Bu kılavuzun başlangıç kısmındaki uyarı görsellerine dikkatle bakın. Kurulumu doğru ve eksiksiz yapmak için ürünle birlikte gelen özel kurulum kılavuzuna başvurun. Satış ya da üçüncü şahıslara devir durumunda dahi, işbu talimatları cihaz ile birlikte bulundurun. Kullanıcıların, cihazın tüm işletim ve güvenlik özelliklerini bilmeleri önemlidir.
- ⚠ Kablo bağlantıları, ehil bir kişi tarafından yapılmalıdır.
- Ürünün yanlış montajı veya kullanımından doğacak olan hasarlardan üretici sorumlu tutulamaz.
 - Ocak yüzeyi ile emici davlumbaz arasındaki minimum güvenli mesafe: Elektrikli ocak için 500mm, gazlı ocak için 650mm'dir.
 - Gazlı ocağın montaj talimatları, yukarıda belirtilenden daha fazla bir mesafe olması gerektiğini belirtiyorsa, bu göz önünde bulundurulmalıdır.
 - Şebeke geriliminin, davlumbazın içine uygulanmış olan etiket üzerinde belirtilen gerilime karşılık gelip gelmediğini kontrol edin.
 - Bağlantı kesme cihazları, kablolama sistemindeki yönetmeliklere uygun olarak sabit sisteme monte edilmelidir.
 - I. Sınıf cihazlar için, ev güç kaynağının düzgün topraklandığını kontrol edin.
 - Davlumbazı, çapı en az 120 mm olan bir boru ile, duman tahliye bacasına bağlayın.

- Dumanın izlediği güzergah, mümkün olduğunca kısa olmalıdır. Emici davlumbazı, (örn., şofben, şömine, vb. gibi) yanıcı duman ihtiva eden kanallara bağlamayın.
- Eğer davlumbaz, elektrikli olmayan cihazlar ile (örneğin gazlı cihazlar) bir kombinasyon halinde kullanılıyorsa, tahliye gazının geriye doğru akışının önlenmesi için, yeter seviyede bir yerel havalandırma sağlanmış olmalıdır. Davlumbazın, elektrik akımı tarafından beslenmeyen cihazlarla kombine bir halde kullanıldığı zaman, ilgili mahaldeki negatif basınç, dumanın davlumbaz tarafından geriye emilmesini önlemek için, 0,04 mbar'ı aşmamalıdır.
- Hava, gaz yakma cihazlarından veya diğer yakıtlardan çıkan egzoz gazları için kullanılan bir kanaldan tahliye edilmemelidir.
- Besleme kablosu, eğer

hasar görmüşse, üretici tarafından ya da bir servis teknisyeni tarafından ikame edilmelidir.

- Fişi, mevcut yürürlükteki mevzuata uygun ve erişilebilir bir prize bağlayın.
- Dumanın tahliyesi için uygulanacak teknik ve emniyet tedbirlerine ilişkin olarak, yerel makamlar tarafından belirlenen kurallara titiz bir şekilde riayet edilmesi önemlidir.



DİKKAT: Davlumbazı monte etmeden önce, koruyucu filmleri çıkartın.

- Davlumbaz için sadece vidalar ve uygun tipteki parçalar kullanın.



DİKKAT: İşbu talimatlara uygun vida ve sabitleyicilerle monte edilmemesi, elektrik şokla sonuçlanabilir.

- Davlumbazı, en az 3 mm kontak aralığına sahip çift kutuplu bir anahtar kullanarak, elektrik besleme şebekesine

bağlayın.

- Optik aletler ile (dürbün, büyüteç, vb.) doğrudan doğruya gözlemlenmeyin.
- Davlumbazın altında flambe yapmayın: yangın çıkabilir.
- Bu cihaz, 8 yaşının altında olmayan çocuklar tarafından ve psikolojik-fiziksel-duyusal yetenekleri sınırlı veya bilgi ve becerileri yetersiz olan kişiler tarafından, cihazın emniyetli bir şekilde nasıl kullanılacağı ve oluşabilecek tehlikeler hakkında dikkatlice denetlenmeleri ve talimatlandırılmaları şartıyla, kullanılabilir. Çocukların ekipman ile oynamadıklarından emin olun. Kullanıcı tarafından yapılacak temizlik ve bakım işlemleri, denetlenmedikleri sürece, çocuklar tarafından yürütülmemelidir.
- Çocukları, cihaz ile oynamadıklarından emin olarak gözlemleyin.
- Bu ev aleti, psikolojik,

fiziksel, duyuusal sorunları olan veya tecrübe ve bilgi eksikliği olan kişilerce (çocuklar dahil), güvenliklerinden sorumlu birisi tarafından gözlemlenmedikçe ve talimat verilmedikçe kullanılmamalıdır.



Erişebilen parçalar, pişirme ekipmanlarının kullanılması esnasında çok sıcak bir hal alabilirler.

- Belirtilen zaman periyodundan sonra, filtreleri temizleyin ve/veya ikame edin (yangın tehlikesi).
- Davlumbazın gaz veya diğer yakıtları yakan ev aletleri ile aynı anda kullanılması durumunda, odada yeterli havalandırma olacaktır (havayı sadece odaya tahliye eden ev aletleri için uygun değildir).

Kurulum

Kurulum modları

Davlumbaz, kurulum ve "emme versiyonu" ya da "hava sirkülasyonu versiyonu" olarak kullanım için tasarlanmıştır.

Emiş Versiyonu (Kurulum talimatlarındaki



sembolüne bakın)

Pişirme dumanı emilir ve davlumbaz duman çıkışına monte edilen bir tahliye borusu (ürün ile birlikte verilmez) aracılığıyla, binanın dışına taşınır.

Tahliye borusunun, uygun bir bağlantı sistemi kullanılarak hava çıkışına düzgün bir şekilde monte edildiğinden emin olun.

Hava sirkülasyonlu versiyon (kurulum



talimatlarındaki sembolüne bakın)

Hava, bir ya da birden fazla filtre aracılığıyla filtre edilir ve daha sonra yeniden odaya kanalize edilir.


Önemli: Davlumbazın çevresinde uygun bir hava sirkülasyonu olduğundan emin olun.

Önemli: Eğer davlumbaz ile birlikte karbon filtre verilmediyse, sipariş edilmeli ve cihazı kullanmadan evvel filtreler takılmalıdır. Filtreler piyasadan temin edilebilirler. Davlumbaz, özellikle kirli alanlardan, pencerelerde, kapılardan ve ısı kaynaklarından uzağa monte edilmelidir. Duvara sabitleme aksesuarları buna dahil değildir, çünkü duvarın malzemesine göre değişiklik arz ederler. Bizzat binanın duvarlarına ve ekipmanın ağırlığına uygun sabitleme sistemleri kullanın. Daha ayrıntılı bilgi için, bir özel uzman satıcı ile irtibata geçin.

Gelecekte yeniden başvurmak amacıyla, bu talimatları muhafaza edin.

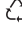
Çevresel özellikler

Ev aletlerinin bertarafı

- Ürünün veya ambalajının üzerinde yer alan  sembolü, o ürünün normal evsel atıklarla birlikte bertaraf edilmemesi gerektiğini belirtir. Söz konusu ürün elektrikli ve elektronik bileşenlere yönelik uzman bir geri dönüşüm merkezinde bertaraf edilmelidir. Bu ürünün gereken şekilde bertaraf edilmesini sağlayarak, uygunsuz şekilde bertaraf edilmesi halinde çevre ve sağlık üzerinde oluşabilecek olumsuz sonuçları önlemeye yardımcı olacaksınız.

Bu ürünün nasıl geri dönüştürüleceği hakkında ayrıntılı bilgi için lütfen bulunduğunuz yerdeki belediye makamlarına, yerel atık bertaraf hizmetlerine veya ürünü satın aldığınız mağazaya danışın.

Ambalaj malzemelerinin bertarafı

 sembolünü taşıyan malzemeler geri dönüştürülebilir. Ambalaj malzemelerini özel geri dönüşüm toplama kutularında bertaraf edin.

Temizlik ve Bakım

Kullanım

- Her türlü bakım operasyonundan önce, cihazı kapatın ya da elektrik besleme şebekesi ile bağlantısını kesin.
- Davlumbaz, bir destek düzlemi olarak kullanılmamalıdır.
- Emici davlumbaz, sadece, mutfaktaki kokuları ortadan kaldırmak amacıyla, bir elektrikli ev aleti olarak kullanım için tasarlanmıştır.
- Davlumbazı, tasarlanmış olan amaçlarından farklı bir amaç için asla kullanmayın.
- Çalıştığı esnada, davlumbazın altında asla yüksek alev bırakmayın.
- Alevin yoğunluğunu, kenarları sarmadığından emin olarak, pişirme kabının alt tarafında doğru yönlendirilecek şekilde ayarlayın.
- Kullanımı esnasında fritözlerin daima başında bulunulmalıdır: aşırı ısınmış yağ alev alabilir.

Temizlik ve Bakım

- Potansiyel bir yangın tehlikesini önlemek amacıyla yağ filtreleri her 2 aylık çalıştırmadan sonra veya özellikle yoğun kullanım söz konusu olduğunda daha sık temizlenmelidir ve filtreler bulaşık makinesinde yıkanabilir.
- Nemli bir bez ve hafif bir sıvı deterjan kullanmak suretiyle davlumbazı temizleyin.

Uzun ömürlü karbon filtrenin temizliği ve bakımı (yeşil)

- Koku önleyici Filtre en çok 8 kez olmak üzere (özellikle yoğun kullanımlarda 5 kez yıkayarak yenilemenin aşılması tavsiye edilir) her 3-4 ayda bir (veya davlumbazın kullanım sıklığına bağlı olarak daha sık) yıkanarak yenilebilir.

Yenileme prosedürü:

- Bulaşık makinesinde maksimum 70° derecede veya aşındırıcı sünger kullanmadan, ılık suda elde (deterjan kullanmadan) yıkayın.
- 2 Saat boyunca MAKSİMUM 70° ısıda kurutun (fırınınızın kullanım kılavuzu ve montaj talimatlarını dikkatlice okumanız tavsiye edilir).

Lambaların İkame Edilmesi

İkame edilmesi için, bir Yetkili Servis Merkezi ile irtibata geçin.

İmalatçı

Ikea of Sweden AB - SE - 343 81 Älmhult, İsveç

Elektrik bağlantısı

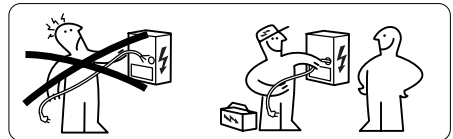


UYARI: Tüm elektrik bağlantıları yetkili kurulum görevlisi tarafından yapılmalıdır.

- Bağlantıları yapmadan önce ilgili bilgi plakasında belirtilen cihazın anma geriliminin güç kaynağının gerilimine karşılık geldiğinden emin olun.

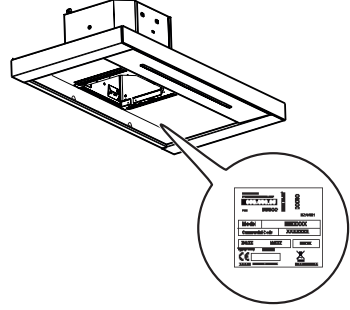


Dikkat! Kabloların hiçbirinde kaynak yapmayın!



Bilgi plakası

Teknik veriler, cihazın iç kısmına eklenen plaka üzerinde belirtilmiştir.



IKEA GARANTİSİ

IKEA garanti belgesi ne kadar süre için geçerlidir?

Bu garanti, cihazın IKEA'dan satın alındığı tarihten itibaren beş (5) yıl geçerlidir. Orijinal makbuz, satın alma makbuzunun vazgeçilmez bir parçasıdır. Garanti onarımı, cihazın garanti süresini uzatmaz.

Asistanlık hizmeti sağlayan kimdir?

Müşteri hizmetleri, kendi organizasyon ağı ya da yetkili servis ortakları şebekesi aracılığıyla, IKEA tarafından tayin edilen servis sağlayıcısı tarafından sağlanacaktır.

Garanti neleri kapsar?

Garanti, cihazın malzemesine ya da yapımına ilişkin muhtemel kusurları kapsar ve bir IKEA satış mağazasından ürünün satın alındığı tarihten itibaren geçerlidir. Garanti, sadece ev içi kullanıma adanmış cihazlar için geçerlidir. İstisnalar, "Garanti neleri kapsamaz?" bölümünde açıklanmıştır. Garantinin geçerli olduğu dönemde, IKEA tarafından tayin edilen hizmet tedarikçisi, ürünün, çok yüksek maliyet gerektirmeden onarılabiliyor olması koşuluyla, onarım masraflarını, yedek parçaları, işçiliği ve bakım personelinin giderlerini karşılayacaktır. Bu koşullar, AB direktiflerine (99/44/CE sayılı) ve uygulanabilir yerel hükümlere uygundur. İkame edilen parçalar, IKEA'nın mülkiyetine gireceklerdir.

Sorunu çözmek için IKEA nasıl müdahale edecektir?

IKEA tarafından tayin edilen hizmet sağlayıcısı, eğer IKEA garantisi kapsamı içine giriyorsa, tamamen kendi takdirine bağlı olarak, belirlemek için ürünü inceleyecektir. Kabul edilmesinde, IKEA ya da yetkili servis partneri tarafından tayin edilen hizmet sağlayıcısı, tamamen kendi takdirine

bağlı olarak, hatalı ürünün onarılmasına ya da aynı veya eşdeğer bir ürün ile ikame edilmesine karar verecektir.

Garanti neleri kapsamaz?

- Normal aşınma.
- Kasten oluşturulan hasarlar, işletme talimatlarının gözetilmemesinden kaynaklanan hasarlar, yanlış montajdan ya da hatalı bir voltaja bağlamanın sonucunda oluşan hasarlar. Kimyasal ya da elektro-kimyasal reaksiyonlardan, pas ve korozyondan kaynaklanan hasarlar veya su şebekesinin aşırı kireç ihtiva etmesine bağlı olarak meydana gelen hasarlar da dahil olmak üzere, sudan kaynaklanan hasarlar. Atmosferik ve doğal etkilerden kaynaklanan hasarlar.
- Aşınmaya tabi parçalar, örneğin bataryalar ve ampuller.
- Cihazın normal kullanımın etkilemeyen, dekoratif ve fonksiyonel olmayan bölümler, örneğin çizikler ve renk varyasyonları.
- Yabancı cisimlerden ya da maddelerden, temizlik ve filtrelerin açılmasından, ve tahliye sistemlerinden veya deterjan gözlerinden kaynaklanan kaza sonucu hasarlar.
- Şu parçalarda hasarlar: seramik cam, aksesuarlar, çatal bıçak sepetleri, besleme ve tahliye boruları, contalar, lambalar ve lamba kapakları, ekranlar, düğmeler, muhafazalar ve muhafaza parçaları. Söz konusu hasarların üretim kusurlarından kaynaklandığı kanıtlanmamış olmalıdır.
- Bir teknisyenin kontrolü esnasında kusur olarak tespit edilmeyen durumlar.
- IKEA ya da yetkili servis ortağı tarafından tayin edilen hizmet sağlayıcısı tarafından gerçek-

leştirilmeyen onarımlar veya orijinal parça kullanılmadan yürütülen onarımlar.

- Yanlış kurulumdan ya da özellikler uymayan montajdan kaynaklanan onarımlar.
- Cihazın ev içi olmayan bir ortamda kullanılması, örneğin mesleki ya da ticari bir kullanım için.
- Nakliyeden kaynaklı hasarlar. Bizzat kendi konutuna ya da başka bir teslimat adresine müşteri tarafından nakliye gerçekleştirilmesi durumunda, IKEA, nakliye esnasında oluşabilecek muhtemel hasarlardan dolayı sorumlu tutulamayacaktır. Ancak, eğer nakliye, müşterinin adresine IKEA tarafından gerçekleştirilmişse, nakliye sebebiyle oluşan muhtemel hasarlar, garanti kapsamına girecektir.
- IKEA cihazının ilk kurulum maliyeti. Ancak, IKEA ya da yetkili servis ortağı tarafından tayin edilen bir hizmet sağlayıcısı, eğer garanti kapsamı içinde cihazın bir onarım ya da ikame işlemini gerçekleştirirse, tedarikçi veya servis ortağı, eğer gerek duyulursa, onarılan cihazın yeniden kurulumunu veya ikame edilen cihazın kurulumunu da sağlayacaktır.

Bu sınırlamalar, cihazın başka bir AB ülkesindeki güvenlik kurallarına adapte edilmesi için, kalifiye personel tarafından ve orijinal yedek parça kullanılarak yürütülen işçilik çalışmalarında uygulanmazlar.

Ulusal mevzuatın uygulanabilirliği

IKEA garantisi, ülkeden ülkeye değişiklik gösteren ve kanun tarafından öngörülen haklara ilaveten, müşteriye özel yasal haklar tanımaktadır. Ancak, bu koşullar, yerel mevzuat tarafından tanımlanan, tüketici haklarını herhangi bir şekilde sınırlandırmazlar.

Geçerlilik Alanı

Bir AB ülkesinde satın alınan ve bir başka AB ülkesine transfer edilen cihazlar için, hizmetler, yeni ülkedeki uygulanabilir koşullar temelinde sağlanacaktır. Garanti koşulları temelinde hizmet sağlama yükümlülüğü, sadece şu durumlarda vardır:

- Cihazın, garantinin uygulanmasının talep edildiği ülkenin teknik özelliklerine uygun olduğu ve uyumlu bir şekilde monte edildiği durumlarda;
- Cihazın uygun olduğu ve Kullanma Kılavuzunun ihtiva ettiği güvenlik bilgilerine ve montaj talimatlarına uygun olarak monte edildiği durumlarda;

IKEA cihazları için tasarlanmış Satış Sonrası Servisi Desteği:

Şu hususlar için, IKEA satış-sonrası Destek Servisi ile irtibata geçmekten çekinmeyin:

1. Garantiden faydalanmak;
2. IKEA cihazının özel IKEA mutfak mobilyasına kurulumu hakkında açıklama istemek. Servis aşağıdakilerle ilgili açıklama vermeyecektir:
 - IKEA komple mutfak kurulumu;
 - Yetkili bir servis teknisyeni tarafından gerçekleştirilmesi gereken elektrik bağlantıları (eğer cihaz, kablosuz ve fişsiz olarak teslim edilmişse), hidrolik tesisat ve gaz tesisatı bağlantıları.
3. Kullanma kılavuzu ve IKEA cihazının özellikleri hakkında açıklama talep etmek.

En iyi yardım hizmetinin sağlanması için, irtibata geçmeden önce Montaj Talimatlarını ve/veya Kullanma Kılavuzunu dikkatlice okumanızı rica ederiz.

Eğer bizim müdahalemize ihtiyaç duyarsanız, nasıl irtibata geçersiniz



İşbu kullanma kılavuzunun son sayfasında bulunan, ilgili telefon numaralarını da ihtiva eden IKEA hizmet sağlayıcılarının tam listesine başvurun.

Önemli! Daha hızlı bir hizmetin sağlanması için, işbu kılavuzun sonundaki listede bulunan telefon numaralarını kullanmanızı tavsiye ederiz. Bir destek talebi olduğunda, işbu kılavuzda bulunan, cihazın özel kodlarını daima referans olarak kullanın. Bizimle irtibata geçmeden önce, desteğin gerekli olduğu cihaza ilişkin IKEA ürün kodunun (8 rakamlı) elinizde bulunduğundan emin olun.


Önemli! SATIŞ FİŞİNİ MUHAFAZA EDİN!


Satın alma kanıtıdır ve garantiden faydalanabilmeniz için ibraz etmeniz gerekmektedir. Satış fişinin üzerinde, satın alınan IKEA Cihazının aynı zamanda adı ve (8 rakamlı) kodu da belirtilmiştir.

Başka bir yardıma ihtiyacınız var mı?

Cihazlarınızın Satış Sonrasıyla ilgili olmayan her türlü başka sorunuz için. Lütfen size en yakın IKEA mağazasının çağrı merkezini arayın. Bizimle irtibata geçmeden önce, cihazın belgelerinin dikkatlice okunması tavsiye olunur.

Bezpečnostné informácie



 Na zaistenie vlastnej bezpečnosti a správneho prevádzky zariadenia si pozorne prečítajte túto príručku ešte pred jeho inštaláciou a uvedením do prevádzky. Pozorne si prezrite výstražné obrázky na začiatku tohto návodu. V záujme správnej a úplnej inštalácie si pozrite príslušný návod dodaný spolu s výrobkom. Tento návod uchovávajte vždy v blízkosti zariadenia, aj v prípade predaja alebo odovzdania inej osobe. Je dôležité, aby používatelia poznali všetky charakteristiky fungovania a bezpečnosti zariadenia.

 Zapojenie káblov musí vykonať výhradne kvalifikovaný technik.

- Výrobca nepreberá žiadnu zodpovednosť za prípadné škody vyplývajúce z nesprávnej inštalácie alebo nesprávneho používania.
- Minimálna bezpečnostná

vzdialenosť medzi vrchnou plochou sporáka a odsávačom pár musí byť: 500 mm pre elektrickú varnú dosku a 650 mm pre plynovú varnú dosku.

- Ak je v návode na používanie plynovej varnej dosky uvedené, že sa vyžaduje väčší odstup, než je uvedený, dodržte pokyny z návodu.
- Skontrolujte, či napätie v elektrickej sieti v domácnosti zodpovedá napätiu uvedenému na štítku vnútri odsávača pár.
- Odpojovacie zariadenia sa musia nainštalovať v sieti v súlade s normami o elektrickom zapojení.
- Pri zariadeniach triedy I skontrolujte, či je domáca elektrická sieť vybavená primeraným uzemnením.
- Odsávač pár pripojte ku komínu pomocou potrubia s minimálnym priemerom 120 mm. Výpary je potrebné odvádzať čo najkratšou cestou.

- Nepripájajte odsávač pár k odvodným potrubiam, ktoré odvádzajú dymy zo spaľovania (napr. kotle, kozuby a pod.).
 - Ak sa odsávač pár používa v kombinácii s neelektrickými zariadeniami (napr. s plynovými zariadeniami), v miestnosti sa musí zaručiť dostatočný stupeň vetrania, aby sa zabránilo spätnému toku odvádzaných výparov. Ak sa odsávač pár používa v kombinácii so zariadeniami, ktoré nie sú napájané elektrickým prúdom, negatívny tlak v miestnosti nesmie prekročiť 0,04 mbar, aby sa zabránilo tomu, že výpary budú z odsávača prúdiť späť do miestnosti.
 - Vzduch sa nesmie odvádzat' do potrubia používaného na odvod výparov zo zariadení, v ktorých sa spaľuje plyn alebo iné palivá.
 - A sa poškodí napájací elektrický kábel, jeho výmenu musí vykonať výrobca alebo ním poverený servisný technik.
 - Zástrčku zapojte do zásuvky elektrickej siete v súlade s platnými normami a na prístupnom mieste.
 - Vzhľadom na technické a bezpečnostné predpisy, ktoré sa musia dodržiavať pri odvode výparov, je dôležité dôsledne dodržiavať predpisy miestnych orgánov.
-  **UPOZORNENIE:** Pred inštaláciou odsávača pár odstráňte ochranné fólie.
- Používajte iba skrutky a upevňovacie prvky vhodné pre odsávač pár.
-  **UPOZORNENIE:** Ak skrutky alebo upevňovacie prvky nenamontujete podľa týchto pokynov, môže dôjsť k úrazu elektrickým prúdom.
- Zapojte odsávač pár k elektrickej sieti pomocou dvoj pólového vypínača

so vzdialenosťou medzi kontaktmi aspoň 3 mm.

- Nepozerajte sa priamo do svetla optickými prístrojmi (ďalekohľad, lupa...).
- Pod odsávačom pár neflambujte jedlá: mohlo by dôjsť k požiaru.
- Toto zariadenie smú používať deti vo veku od 8 rokov a osoby s obmedzenými psychickými, zmyslovými a rozumovými schopnosťami, ako aj osoby, ktoré nemajú skúsenosti a dostatok poznatkov o obsluhu zariadenia, iba ak sú pod dohľadom a boli poučené o obsluhu zariadenia a nebezpečenstve, ktoré môže predstavovať. Dávajte pozor na deti, aby sa so zariadením nehrali. Čistenie a údržbu zariadenia nesmú vykonávať deti, ktoré nie sú pod dohľadom.
- Dávajte pozor na deti, aby ste zaistili, že sa so zariadením nehrajú.
- Zariadenie nesmú

používať osoby (vrátane detí) s obmedzenými rozumovými a fyzickými schopnosťami ani osoby s nedostatočnými skúsenosťami a poznatkami, ak nie sú pod dohľadom alebo ak neboli poučené osobou zodpovednou za ich bezpečnosť



Prístupné časti sa pri používaní varných zariadení môžu zohriať na vysokú teplotu.

- V stanovených intervaloch vyčistite alebo vymeňte filtre (nebezpečenstvo požiaru).
- Keď sa odsávač pár používa v miestnosti spolu s inými plynovými zariadeniami alebo zariadeniami spaľujúcimi iné palivo, miestnosť musí byť vhodne vetraná (neplatí pre zariadenia s vývodom vzduchu späť do miestnosti)

Inštalácia

Spôsoby inštalácie

Odsávač pár súži na inštaláciu a používanie v režime „s odsávaním vzduchu“ alebo v režime „s cirkuláciou vzduchu“.

Režim s odsávaním vzduchu (pozri symbol



v návode na inštaláciu)

Para z varenia sa odsáva a odvádza do vonkajšieho prostredia pomocou potrubia na odvod výparov (nedodáva sa), ktoré je nainštalované na výstupe z odsávača. Uistite sa, že odvodné potrubie je správne nainštalované na výstupe vzduchu, použite vhodný systém pripojenia.

Režim s cirkuláciou vzduchu (pozri symbol



v návode na inštaláciu)

Vzduch sa filtruje cez jeden alebo viac filtrov s aktívnym uhlím a znovu sa vháňa do miestnosti.


Dôležité: Uistite sa, že okolo odsávača pár je zaistená správna cirkulácia vzduchu.

Dôležité: Ak odsávač pár nie je vybavený filtermi s aktívnym uhlím a je nainštalovaný v režime cirkulácie, filtre musíte objednať a namontovať ešte pred používaním zariadenia. Filtre sú k dispozícii na trhu. Odsávač pár sa musí nainštalovať ďaleko od veľmi znečistených priestorov, okien, dverí a zdrojov tepla.

Príslušenstvo na upevnenie na stenu nie je súčasťou dodávky, pretože sa mení v závislosti od materiálu steny. Používajte vhodné systémy upevnenia na stenu v danom priestore, s prihliadnutím na hmotnosť zariadenia. Bližšie informácie vám poskytne špecializovaný predajca. Odložte si tento návod na budúce použitie.


Environmentálne aspekty

Likvidácia elektrospotrebičov

- Symbol  na výrobku alebo na obale znamená, že výrobok sa nesmie likvidovať v zmiešanom komunálnom odpade. Výrobok sa musí zlikvidovať v špecializovanom centre na recykláciu elektrických a elektronických komponentov. Ak sa uistíte, že sa tento výrobok správne zlikvidoval, predídete tak možným negatívnym dôsledkom na životné prostredie a zdravie, ktoré by mohli byť spôsobené jeho nesprávnou likvidáciou.

Ak potrebujete bližšie informácie o recyklácii tohto výrobku, obráťte sa na príslušné úrady, miestny úrad likvidácie odpadov alebo predajňu, v ktorej ste výrobok zakúpili.

Likvidácia obalových materiálov

Materiály označené symbolom  sú recyklovateľné. Obalové materiály odovzdajte v príslušných zberných dvoroch na recykláciu.

Čistenie a údržba

Používanie

- Pred každou údržbou zariadenie vypnite alebo ho odpojte od elektrického napájania.
- Odsávač pár sa nesmie používať ako odkladací priestor.
- Odsávač pár je určený iba na používanie v domácnosti, na odstraňovanie pachov v kuchyni.
- Odsávač pár nikdy nepoužívajte na iné ako stanovené účely.
- Pod zapnutým odsávačom pár nenechávajte zapálený vysoký otvorený plameň.
- Intenzitu plameňa nastavte tak, aby smeroval iba na dno varnej nádoby, pričom sa uistite, že nepresahuje jej okraje.
- Fritézy je potrebné počas používania nepretržite kontrolovať: prehriaty olej sa môže vznietiť.

Čistenie a údržba

- Tukové filtre sa musia čistiť každé 2 mesiace prevádzky alebo častejšie, ak sa používajú veľmi intenzívne, pričom sa môžu umývať v umývačke riadu.
- Vyčistite odsávač pár vlhkou utierkou handrou a neutrálnym tekutým čistiacim prostriedkom.

Čistenie a údržba filtra s aktívnym uhlím s dlhou životnosťou (zelený)

- Pachový filter sa môže umývať a regenerovať každé 3-4 mesiace (alebo častejšie, ak sa odsávač často používa), až do max. 8 regeneračných cyklov (v prípade obzvlášť intenzívneho používania odporúčame, aby ste neprekročili 5 cyklov).

Postup pri regenerácii:

- Umyte filter v umývačke riadu pri MAX. teplote 70° alebo ho ručne umyte v horúcej vode bez použitia abrazívnych hubiek (nepoužívajte saponáty!).
- Sušte 2 hodiny v rúre pri MAX. teplote 70° (odporúčame, aby ste si dôkladne prečítali návod na používanie a montáž rúry).

Výmena žiaroviek

Obráťte sa na autorizované servisné stredisko.

Výrobca

Ikea of Sweden AB - SE - 343 81 Älmhult, Sweden

Elektrické zapojenie

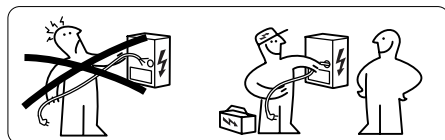


UPOZORNENIE: Všetky elektrické zapojenia musí vykonať poverený inštalračný pracovník.

- Pred vykonaním zapojenia sa uistite, že menovité napätie zariadenia uvedené na príslušnom údajovom štítku zodpovedá napájaciemu sieťovému napätiu.

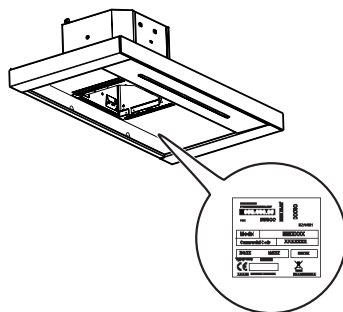


Pozor! Nezvárajte káble zariadenia!



Údajový štítok

Technické údaje sú uvedené na údajovom štítku umiestnenom na vnútornej strane zariadenia.



ZÁRUKA IKEA

Aká je záručná lehota spoločnosti IKEA?

Záručná lehota je päť (5) rokov od pôvodného dátumu zakúpenia zariadenia od spoločnosti IKEA. Kúpu je potrebné zdokladovať príslušným potvrdením o zakúpení. Ak sa vykoná záručná oprava, záručná lehota zariadenia sa nepredlži.

Kto poskytuje záručný servis?

Servis poskytuje servisné stredisko poverené spoločnosťou IKEA prostredníctvom vlastnej organizácie alebo autorizovaného partnerského servisného strediska.

Na čo sa vzťahuje záruka?

Záruka sa vzťahuje na prípadné materiálové a konštrukčné chyby zariadenia a platí od dátumu zakúpenia zariadenia od spoločnosti IKEA. Záruka sa vzťahuje iba na zariadenia určené na používanie v domácnosti. Výnimky sú opísané v odseku „Na čo sa záruka nevzťahuje?“ Počas obdobia platnosti záruky sú náklady na opravy, náhradné diely, prácu a prepravu pracovníkov na ťarchu predávajújúceho pod podmienkou, že je výrobok prístupný na opravu bez vysokých nákladov. Tieto podmienky sú v súlade so smernicami EÚ (č. 99/44/ES) a s platnými miestnymi predpismi. Vymenené diely sa stávajú vlastníctvom spoločnosti IKEA.

Ako zasiahne pri riešení problémov spoločnosť IKEA?

Servisné stredisko poverené spoločnosťou IKEA skontroluje výrobok, aby určilo, na vlastnú zodpovednosť, či sa naň vzťahuje táto záruka. Ak sa záruka vzťahuje, servisné stredisko poverené spoločnosťou IKEA alebo autorizovaný servisný partner rozhodne, na vlastnú zodpovednosť, či

sa poškodené zariadenie opraví alebo vymení za rovnaký alebo porovnateľný.

Na čo sa záruka nevzťahuje?

- Bežné opotrebovanie.
- Škody spôsobené nedbanlivosťou, škody spôsobené nedodržením pokynov na používanie, nesprávnou inštaláciou alebo po nesprávnom zapojení či nesprávnym elektrickým napätím, škody spôsobené chemickými alebo elektrochemickými reakciami, hrdzou, koróziou alebo škody spôsobené vodou vrátane škôd spôsobených nadmerným množstvom vodného kameňa vo vodovodnom potrubí, škody spôsobené atmosférickými a prírodnými udalosťami.
- Diely podliehajúce opotrebovaniu, napr. batérie a žiarovky.
- Ozdobné diely a diely, ktoré neovplyvňujú bežnú prevádzku zariadenia, napr. škrabance a zmeny farby.
- Náhodné poškodenie spôsobené cudzími látkami alebo predmetmi a čistením alebo uvoľnením filtrov, vypúšťacími systémami alebo skrinkami na čistiaci prípravok.
- Škody na týchto dieloch: sklokeramika, príslušenstvo, keramické nádoby a košíky na nože, vstupné a výstupné potrubia, tesnenia, žiarovky a ich kryty, obrazovky, tlačidlá, kryty a ich časti. Na poškodenie týchto dielov sa záruka vzťahuje, iba ak sú dokázateľne spôsobené konštrukčnou chybou.
- Prípady, pri ktorých neboli zistené chyby počas technickej obhliadky.
- Opravy, ktoré nevykonalo servisné stredisko poverené spoločnosťou IKEA alebo autorizova-

ný servisný partner, alebo opravy, pri ktorých neboli použité originálne náhradné diely.

- Opravy vyplývajúce z nesprávnej alebo nevyhovujúcej inštalácie.
- Používanie zariadenia v prostredí mimo domácnosti, napr. pri profesionálnom alebo komerčnom použití zariadenia.
- Škody spôsobené prepravou. V prípade prepravy vykonanej zákazníkom do vlastnej domácnosti alebo na inú adresu spoločnosť IKEA nenesie žiadnu zodpovednosť za škody vzniknuté počas prepravy. Ak prepravu do domácnosti zákazníka vykonáva spoločnosť IKEA, na škody vzniknuté počas prepravy sa záruka vzťahuje.
- Náklady na prvotnú inštaláciu zariadenia IKEA. V každom prípade platí, že ak servisné stredisko poverené spoločnosťou IKEA alebo autorizovaný servisný partner vykoná nejakú opravu alebo výmenu zariadenia v záručnej dobe, servisné stredisko alebo autorizovaný servisný partner musí zabezpečiť aj opätovnú inštaláciu opraveného alebo vymeneného zariadenia.

Tieto obmedzenia sa nevzťahujú na úkony vykonané podľa predpisov kvalifikovanými pracovníkmi s použitím originálnych náhradných dielov na prispôbienie zariadenia bezpečnostným predpisom inej krajiny EÚ.

Príslušné vnútroštátne predpisy

Záruka IKEA poskytuje zákazníkovi právne nároky, ktoré sa môžu uplatňovať aj mimo platných vnútroštátnych predpisov. V každom prípade tieto podmienky žiadnym spôsobom neobmedzujú práva spotrebiteľa podľa vnútroštátnych predpisov

Oblasť platnosti

Pre zariadenia zakúpené v jednej krajine EÚ a premiestnené do inej krajiny EÚ sa poskytujú služby podľa predpisov platných v cieľovej krajine. Povinnosť poskytovať základné služby v rámci záruky platí, iba ak:

- je zariadenie zhodné s normami EÚ a je nainštalované v súlade s technickými požiadavkami platnými v krajine platnosti záruky;
- je zariadenie zhodné s normami EÚ a je nainštalované v súlade s pokynmi na montáž a bezpečnostnými pokynmi uvedenými v návode na používanie;

Popredajné servisné služby určené pre zariadenia IKEA:

Obráťte sa na stredisko popredajných servisných služieb spoločnosti IKEA, ak potrebujete:

1. záručný servis výrobku;
2. požiadať o vysvetlenia v súvislosti s inštaláciou zariadení IKEA v kuchynských linkách IKEA. Servisné stredisko neposkytuje vysvetlenia v súvislosti s:
 - inštaláciou kompletných kuchýň IKEA;
 - elektrickými zapojeniami (ak sa zariadenie dodáva bez káblov a zástrčiek), hydraulickými prípojkami a zapojeniami k plynovým prípojkám, ktoré musí vykonať autorizovaný servisný technik.
3. požiadať o vysvetlenia v súvislosti s obsahom návodu na používanie a vlastnosťami zariadenia IKEA.

Na zaistenie čo najlepšieho servisu by ste si mali predtým, ako sa na nás obrátite, pozorne prečítať návod na montáž a/alebo návod na používanie.

Ako sa na nás obrátiť v prípade potreby servisného zásahu



Pozrite si kompletný zoznam servisných stredísk spoločnosti IKEA s príslušnými telefónnymi číslami, uvedený na poslednej strane tohto návodu.

Dôležité! Aby bolo možné zaručiť rýchly servis, odporúčame použiť telefónne čísla uvedené na konci tohto návodu. Ak potrebujete servisný zásah, majte vždy po ruke kódy príslušného zariadenia, uvedené v návode na používanie. Skôr, ako sa na nás obrátite, sa uistite, že máte po ruke kód výrobku IKEA (8-ciferný) zariadenia, pre ktoré potrebujete servis.



Dôležité! ODOĽTE SI ÚČTENKU!

Je to doklad o nákupe, ktorý budete potrebovať, ak budete chcieť uplatniť záruku. Na účtenke sú uvedené aj názov a kód (8-ciferný) zakúpeného zariadenia IKEA.

Potrebujete ďalšiu pomoc?

V prípade ďalších otázok, nesúvisiacich s popredajným servisom zariadenia sa obráťte na zákaznícku podporu najbližšieho predajcu spoločnosti IKEA. Skôr, ako sa na nás obrátite, vám odporúčame, aby ste si dôkladne prečítali dokumentáciu zariadenia.

Saugumo informacija

-  Kad įrenginys saugiai ir tinkamai veiktų, prieš įrengimą ir naudojimą atidžiai perskaitykite šį vadovą. Atidžiai žiūrėkite šio vadovo pradžioje pateiktus įspėjamuosius paveikslus. Kad tinkamai ir pilnai sumontuotumėte, vadovaukitės specialiu kartu su produktu pristatytu montavimo vadovu. Visada išsaugokite šias instrukcijas prie įrenginio, net jei persikelsite gyventi į kitą vietą arba jį parduosite. Naudotojai privalo visiškai būti susipažinę su šio įrenginio veikimo ir saugumo savybėmis.
-  Laidus sujungti privalo kvalifikuotas specialistas.
- Gamintojas nebus atsakingas už bet kokią žalą, kuri atsiras dėl netaisyklingo ar netinkamo įrengimo.
 - Mažiausias saugus atstumas tarp viryklės viršaus ir gartraukio: elektrinei viryklei – 500 mm ir dujinei viryklei 650 mm.
 - Jei dujų degikliui skirtose montavimo instrukcijose nurodytas didesnis atstumas, į tai turi būti atsižvelgta.
 - Patikrinkite, ar elektros tinklo įtampa atitinka įtampą, kuri nurodyta techninių duomenų lentelėje gartraukio viduje.
 - Atjungimo priemonės privalo būti sumontuotos elektros laidų sistemoje laikantis elektros įrengimo taisyklių.
 - I klasės įrenginiai: patikrinkite, ar tiekiant elektrą buitiniam vartotojui garantuojamas pakankamas įžeminimas.
 - Prijunkite gartraukį prie išmetimo dūmtakio, naudodami ne mažesnę kaip 120 mm diametro

vamzdį. Jungimas prie dūmtakio turi būti kuo trumpesnis.

- Nejunkite ištraukiančio gartraukio prie vamzdynų, kuriais šalinami dūmai (boilerių, židinių ir t. t.).
- Jei gartraukis yra naudojamas kartu su neelektriniais įrenginiais (pvz., dujas deginančiais įrenginiais), reikia užtikrinti pakankamą vėdinimą, kad išmetamos dujos negrįžtų atgal į patalpą. Kai gartraukis yra naudojamas su įrenginiais, kuriems reikalinga kitokia energijos rūšis (ne elektra), neigiamas slėgis patalpoje neturi viršyti 0,04 mbar – taip bus užtikrinta, kad gartraukis nestums garų į patalpą.
- Oras neturi būti nukreipiamas į dūmtakį, kuris skirtas šalinti dūmus iš įrenginių, naudojančių dujas ar kitas kuro rūšis.
- Jei elektros tiekimo kabelis yra pažeistas,

jį privalo pakeisti gamintojas arba priežiūros paslaugas teikiantis agentas.

- Įkiškite kištuką į lizdą, atitinkantį nurodytus reikalavimus, esantį lengvai prieinamoje vietoje.
- Atsižvelgiant į dūmų išmetimui taikomas technines ir saugumo priemones, svarbu laikytis vietinių institucijų nurodytų taisyklių.



ĮSPĖJIMAS! Prieš montuodami garų surinktuvą, nuo jo pašalinkite apsauginę plėvelę.

- Gartraukiui atremti naudokite tik sraigtus ir mažas dalis.



ĮSPĖJIMAS! Jei sraigtaai arba tvirtinantys įrenginiai bus montuojami nesilaikant šių nurodymų, elektra gali kelti pavojų.

- Prijunkite gartraukį prie elektros tinklo, naudodami dvipolį

jungiklį, tarpas tarp kontaktų turi būti ne mažesnis kaip 3 mm.

- Nežiūrėkite į šviesos šaltinius per optinius prietaisus (žiūronus, didinamuosius stiklus...).
- Po trauktuvu neruoškite patiekalų, kuriuos reikia užpilti spiritiniu gėrimu ir padegti, nes kyla gaisro pavojus.
- Šį įrenginį gali naudoti vaikai nuo 8 metų ir vyresni bei asmenys su ribotais fiziniais, jutimiais ar protiniais sugebėjimais arba asmenys, kuriems trūksta patirties ir žinių, jei jie yra prižiūrimi ar buvo apmokyti, kaip saugiai elgtis su įrenginiu, ir supranta su juo susijusius pavojus. Vaikams žaisti su įrenginiu negalima. Vaikai atlikti valymo ir priežiūros darbus be suaugusiųjų negali.
- Vaikus reikia prižiūrėti, kad jie su prietaisu nežaistų.
- Įrenginio neturėtų

naudoti asmenys (įskaitant vaikus), kuriems yra pablogę fiziniai, jutiminiai ar protiniai sugebėjimai arba trūksta patirties ir žinių, išskyrus atvejus, jei tokie asmenys yra prižiūrimi arba buvo apmokyti, kaip su tokiais įrenginiais elgtis.



Jei viryklės naudojamos, rankomis liečiamos dalys gali būti karštos.

- Po nurodyto laiko išvalykite ir/arba pakeiskite filtrus (dėl gaisro pavojaus).
- Kai trauktuvas yra naudojamas tuo pačiu metu kaip ir įrenginiai, deginantys dujas ar kitas kuro rūšis, patalpoje turi būti pakankama ventiliacija (netaikoma įrenginiams, kurie tik šalina orą atgal į patalpą).

Montavimas

Montavimo režimai

Gartraukis gali būti montuojamas dirbti ištraukimo režimu arba recirkuliaciniu režimu.

Ištraukimo režimas (žr. montavimo

brošiūroje simbolį )

Valgio ruošimo metu susidarę garai ir dūmai yra įsiurbiami ir pašalinami iš patalpos per išmetimo vamzdį (nepateiktas), pritvirtintą prie gartraukio garų šalinimo angos. Pasirūpinkite, kad išmetimo vamzdis būtų tinkamai pritvirtintas prie oro šalinimo angos, įrenginys naudotų reikiamą jungimo sistemą.

Recirkuliacinis režimas (žr. montavimo

brošiūroje simbolį )

Oras filtruojamas per vieną ar daugiau filtrų ir tada grąžinamas į patalpą.

Svarbu! Užtikrinkite reikiamą oro cirkuliaciją prie gartraukio.


Svarbu! Jei gartraukis yra įsigyjamas be anglies filtrų ir montuojamas recirkuliaciniu režimu, prieš gartraukį naudojant juos reikia įdėti. Filtrų galima nusipirkti parduotuvėse. Gartraukiai turi būti montuojami toliau nuo ypač nešvarių vietų, langų, durų ir šilumos šaltinių.

Ant sienų montuojami priedai nepateikti, nes siena gali būti iš skirtingų medžiagų, todėl yra reikalingi skirtingų tipų tvirtinimo priedai. Naudokite tvirtinimo sistemas, kurios būtų tinkamos jūsų namams ir atitiktų įrenginio svorį. Norėdami gauti smulkesnės informacijos, kreipkitės į specializuotą prekybos atstovą.

Šią brošiūrą išsaugokite tolesniam naudojimui.


Aplinkosauginiai aspektai

Buitinių prietaisų šalinimas

- Simbolis  ant gaminio arba jo pakuotės nurodo, kad produktas neturi būti šalinamas su įprastomis buitinėmis atliekomis. Gaminys turi būti šalinamas specializuotame elektros arba elektroninių komponentų perdirbimo centre. Pasirūpindami, kad šis produktas būtų tinkamai šalinamas, padėsite išvengti galimų neigiamų pasekmių aplinkai ir sveikatai, galinčių atsirasti dėl jo netinkamo šalinimo.

Norėdami išsamesnės informacijos apie tai, kaip perdirbti šį produktą, kreipkitės į vietinės savivaldybės skyrius, vietinę atliekų šalinimo tarnybą arba parduotuvę, kurioje produktas buvo įsigytas.

Pakavimo medžiagų šalinimas

Simboliu  pažymėtas medžiagas galima perdirbti. Pakavimo medžiagas išmeskite į specialius perdirbimui surenkamų atliekų konteinerius.

Priežiūra ir valymas

Naudojimas

- Prieš atlikdami bet kokius priežiūros darbus, prietaisą išjunkite arba ištraukite kištuką iš elektros tinklo.
- Gartraukio viršaus negalima naudoti kaip lentynos.
- Ištraukiantis gartraukis yra skirtas išimtinai buitiniam naudojimui šalinant virtuvės kvapus.
- Niekada nenaudokite gartraukio kitiems tikslams, išskyrus tuos, kuriems jis skirtas.
- Kai prietaisas dirba, po juo niekada nepalikite didelės atviros ugnies.
- Sureguliuokite liepsnos intensyvumą, kad ji būtų nukreipta po keptuvės apačia ir neapimtų jos šonų.
- Naudodami gilią keptuvę, turite būti atidūs: perkaitęs aliejus gali užsiliepsnoti.

Priežiūra ir valymas

- Kad būtų išvengta gaisro pavojaus, riebalų filtrai turi būti valomi kas 2 naudojimo mėnesius arba dažniau, jei naudojama ypač intensyviai ir juos galima plauti indaplovėje.
- Rinktuvą valykite drėgnu skudurėliu, naudodami neutralų skystą ploviklį.

Ilgai naudojamo anglies pluošto filtro (žalias) priežiūra ir valymas

- Kvapų filtras gali būti plaunamas ir atnaujinamas kas 3--4 mėnesiai (arba dažniau, jei gartraukis intensyviai naudojamas), maksimaliai iki 8 atnaujinimo ciklų (tuo atveju jei jis naudojamas ypač intensyviai, rekomenduojama neviršyti 5 ciklų).

Atnaujinimo procedūra:

- Plaukite indaplovėje esant maksimaliai 70° C temperatūrai arba rankomis nenaudodami abrazyvinių kempinių (nenaudokite valymo priemonių!).
- Džiovinkite orkaitėje esant 70° C MAKS. temperatūrai 2 valandas (rekomenduojama atidžiai perskaityti naudotojo vadovą ir savo orkaitės surinkimo instrukciją).

Lempučių keitimas

Dėl keitimo kreipkitės į įgaliotąjį priežiūros centrą.

Gamintojas

Ikea of Sweden AB - SE - 343 81 Älmhult, Švedija

Elektros prijungimas

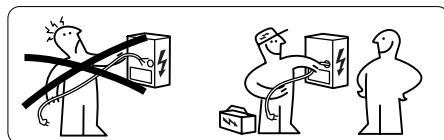


ĮSPĖJIMAS: Visos elektros jungtys turi būti įrengtos įgalioto montuotojo.

- Prieš įrengdami jungtis patikrinkite, ar atitinkamoje valdinėje plokštelėje nurodyta prietaiso vardinė įtampa atitinka maitinimo šaltinio įtampą.

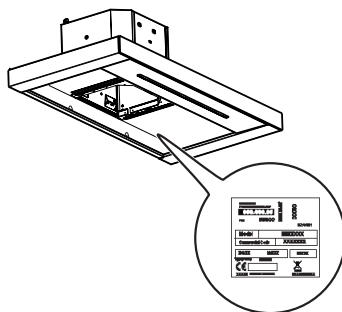


Įspėjimas! Nevirinkite jokių laidų!



Vardinė plokštelė

Techninė informacija pateikta techninių duomenų lentelėje, esančioje vidinėje įrenginio pusėje.



„IKEA“ GARANTIJA

Kiek laiko galioja IKEA garantija?

Ši garantija galioja penkerius (5) metus nuo pradinės jūsų įrenginio įsigijimo datos iš IKEA. Pirkimui įrodyti reikalaujama originalaus pardavimo kvito. Jei pagal garantiją atliekami priežiūros darbai, tai nepailgina įrenginio garantinio laikotarpio.

Kas atliks priežiūros darbus?

IKEA paslaugų teikėjas suteiks paslaugas per savo paslaugų operatorių arba įgaliotųjų paslaugų partnerių tinklą.

Kam ši garantija netaikoma?

Garantija taikoma prietaiso gedimams, kurie atsirado dėl blogos konstrukcijos arba medžiagų defektų nuo gaminio pirkimo datos iš IKEA. Ši garantija taikoma tik buitiniam naudojimui. Išimties yra nurodytos po antrašte „Kam ši garantija netaikoma“? Garantinio laikotarpio metu išlaidos reikalingos gedimui šalinti, pvz., remonto darbų, dalių ir transporto kaštai bus padengti, su sąlyga, jei remontuotinaj prietaisą galima pasiekti be ypatingų išlaidų. Pagal šias sąlygas taikomos ES direktyvos (Nr. 99/44/EG) ir atitinkamos vietinės taisyklės. Pakeistos dalys tampa IKEA nuosavybe.

Ką darys IKEA, kad ištaisytų problemą?

IKEA paskirtas paslaugų teikėjas patikrins gaminį ir nuspręs, savo asmenine nuožiūra, ar duotu atveju ši garantija taikoma. Jei bus nuspręsta, kad garantija taikoma, tada IKEA paslaugų teikėjas arba įgaliotasis paslaugų partneris, teikiantis paslaugas, savo asmenine nuožiūra, suremontuos sugedusį prietaisą arba pakeis jį tuo pačiu ar panašiu gaminiu.

Kam ši garantija netaikoma?

- Įprastam susidėvėjimui.
- Tyčinei žalai ar žalai dėl nerūpestingumo, žalai, kuri atsirado dėl nesugebėjimo laikytis naudojimo nurodymų, netinkamo montavimo arba jungimo prie netinkamo įtampos šaltinio, žalai dėl cheminės arba elektrocheminės reakcijos, rūdijimo, korozijos arba vandens padarytai žalai, įskaitant, bet neapsiribojant, žalai, kuri atsirado dėl didelio kalkių kiekio vandens sistemoje, žalai, kurią padarė nenormalios aplinkos sąlygos.
- Sunaudojamosioms dalims, įskaitant baterijas ir lemputes.
- Nefunkcinėms ir apdailos dalims, kurios neturi įtakos įprastam prietaiso veikimui, įskaitant įbrėžimus ir galimus spalvos skirtumus.
- Atsitiktinei žalai, kurią padarė pašaliniai daiktai arba medžiagos ir filtrų valymas bei atblokavimas, drenažo sistema ar muilo stalčiukai.
- Šių dalių žalai: keraminiam stiklui, priedams, indų ar stalo įrankių krepšiams, tiekimo ar drenažo vamzdžiams, sandarinimams, lempoms ir lempų dangčiams, ekranams, rankenoms, apvalkalams ir apvalkalų dalims. Išskyrus atvejus, jei bus galima įrodyti, kad tokia žala atsirado dėl gaminio defektų.
- Atvejams, kai atvykęs techninis darbuotojas negali nustatyti gedimo.
- Remonto darbams, kuriuos atliko ne mūsų įgaliotasis paslaugos teikėjas ir / arba įgaliotasis paslaugas pagal sutartį teikiantis partneris ar jei buvo naudojamos neoriginalios dalys.

- Remonto darbams, kuriuos reikėjo atlikti dėl netinkamo montavimo arba reikalavimų nesilaikymo.
- Jei prietaisas naudojamas nebutinėje aplinkoje, pvz., profesionaliems tikslams.
- Gedimams, atsiradusiems transportavimo metu. Jei perkėjas transportuoja gaminį į savo namus arba kitu adresu, IKEA nėra atsakinga už žalą, kuri gali atsirasti transportavimo metu. Tačiau jei gaminį pristato IKEA perkėjo adresu, tada žalai, kuri atsiranda jį pristatant, ši garantija yra taikoma.
- Išlaidų, kurios susijusios su pradiniu IKEA įrenginio montavimu. Tačiau jeigu IKEA paslaugos teikėjas arba įgaliotasis paslaugų partneris pagal šios garantijos sąlygas suremontuoja arba pakeičia šį prietaisą, paslaugos teikėjas arba jo įgaliotasis paslaugų partneris vėl sumontuos suremontuotą įrenginį arba, jei reikia, sumontuos pakeistą įrenginį.

Šis apribojamas netaikomas kokybiškiems darbams, kuriuos atliko kvalifikuotas specialistas, naudodamas originalias dalis, turėdamas tikslą pritaikyti įrenginį prie techninių saugumo reikalavimų kitoje ES šalyje.

Kaip taikomi šalies įstatymai

IKEA garantija Jums suteikia specialias juridines teises, kurios apima ar viršija vietos reikalavimus. Tačiau šios sąlygos jokių būdu neapriboja vartotojų teisių, nurodytų pagal vietos įstatymus.

Galiojimo sritis

Įrenginiams, kurie yra įsigijami vienoje iš ES šalių ir išvežami į kitą ES šalį, paslaugos bus teikiamos laikantis garantinių sąlygų, kurios paprastai galioja naujoje šalyje. Įsipareigojimas atlikti pagal garantiją numatytas paslaugas galioja tik tuomet, jei įrenginys atitinka ir yra sumontuotas pagal:

- technines sąlygas šalies, kurioje garantinis reikalavimas yra pateiktas;
- surinkimo nurodymus ir vartotojo vadovo saugumo informaciją.

Pasiruošę suteikti paslaugas po IKEA įrenginio pirkimo:

Nedvejodami kreipkitės į IKEA dėl paslaugų po įrenginio įsigijimo:

1. pateikite prašymą dėl priežiūros pagal šią garantiją;
2. klauskite paaiškinimo dėl IKEA įrenginio montavimo naudojant specialius IKEA

virtuvės baldus. Paslaugų centas nesuteiks paaiškinimų dėl:

- bendrų IKEA virtuvės montavimo darbų;
- jungimo į elektros tinklą (jei įrenginys yra be kištuko arba kabelio), jungimo prie vandens ir dujų sistemų, nes juos turi atlikti įgaliotasis paslaugų inžinierius;

3. klauskite paaiškinimo apie naudotojo vadovo turinį ir IKEA įrenginio technines sąlygas.

Kad mūsų suteikiama pagalba būtų efektyvesnė, prieš kreipdamiesi į mus, atidžiai perskaitykite surinkimo nurodymus ir / arba šios brošiūros naudotojo vadovo skyrių.

Kaip mus pasiekti, jei jums reikia mūsų paslaugų



Norėdami surasti visą IKEA paskirtų priežiūros centrų sąrašą ir atitinkamą šalies telefono numerį, žiūrėkite paskutinį šio vadovo puslapį.

Svarbu! Norėdami suteikti greitesnę paslaugą, patariame naudoti telefono numerius, kurie yra nurodyti šio vadovo pabaigoje. Visada ieškokite numerių, kurie pateikti atitinkamo įrenginio, dėl kurio jums reikia pagalbos, brošiūroje. Prieš mums skambindami atsiminkite, kad turite nurodyti IKEA gaminio, dėl kurio jūs kreipėtės pagalbos, numerį (8 skaičių kodas).



Svarbu! IŠSAUGOKITE PARDAVIMO KVITĄ!

Tai yra jūsų pirkimo įrodymas, reikalingas garantijai taikyti. Atkreipkite dėmesį, kad kvite taip pat nurodytas IKEA gaminio pavadinimas ir kiekvieno įrenginio, kurį nusipirkote, numeris (8 skaičių kodas).

Jums reikia papildomos pagalbos?

Dėl kitų klausimų, nesusijusių su jūsų įrenginiu po jo pardavimo. Kreipkitės į artimiausią IKEA prekybos skambučių centrą. Prieš kreipdamiesi į mus, atidžiai perskaitykite įrenginio dokumentaciją.

Інформація з безпеки


-  Щоб забезпечити власну безпеку та належну роботу приладу, перед його встановленням та експлуатацією уважно прочитайте цю інструкцію. Уважно подивіться на попереджувальні зображення на початку цього посібника. Для правильного та повного встановлення зверніться до відповідного посібника з монтажу, що постачається з виробом. Постійно зберігайте інструкцію разом з приладом, навіть у випадку його передачі чи продажу. Користувачі повинні добре знати експлуатаційні характеристики та засоби забезпечення безпеки приладу.
-  Під'єднання проводки повинен виконувати відповідний технічний спеціаліст.
- Виробник не несе відповідальності за будь-які пошкодження та поломки, викликані неправильним або неналежним монтажем.
 - Мінімальна безпечна відстань між варильною поверхнею та витяжною становить: для електричної варильної поверхні 500 мм та для газової варильної поверхні 650 мм.
 - Якщо в інструкції з експлуатації для плити з газовими конфорками вказана більша відстань, то цього необхідно дотримуватися.
 - Переконайтеся, що напруга електричної мережі співпадає з зазначеною на заводській табличці, яка закріплена всередині корпусу.
 - В стаціонарну проводку необхідно встановити автоматичний вимикач згідно з Нормами для електромереж.
 - Якщо прилад належить до класу I, переконайтеся, що домашня електромережа гарантує відповідне заземлення.
 - Під'єднайте витяжку до

вентиляційного каналу за допомогою труби діаметром не менше 120 мм. Канал повинен бути якомога коротшим.


- Не можна під'єднувати корпус витяжки до вентиляційних каналів, через які проходять топкові гази (котли, каміни і т.д.).
- Якщо витяжка працює разом з неелектричними приладами (напр., прилади з газовими горілками), то необхідно забезпечити достатню подачу повітря до приміщення, щоб не допустити зворотної тяги відпрацьованих газів. Якщо кухонна витяжка використовується разом з приладами, що працюють не на електричній, а на іншій енергії, то розрідження в приміщенні не має перевищувати 0,04 мбар, щоб не допустити всмоктування витяжкою відпрацьованих газів назад в приміщення.
- Повітря не можна відводити в канал, що використовується для

відведення відпрацьованих газів від приладів, що працюють на газу або іншому пальному.

- Якщо мережевий шнур пошкоджено, то замінити його можна лише у виробника або його сервісного агента.
- Включіть штекер в розетку, що розташована в доступному місці, з дотриманням чинних норм.
- Щодо технічних засобів та заходів з техніки безпеки, які повинні застосовуватися для відведення газів та диму, дуже важливо повністю виконувати правила, встановлені місцевою владою.

 **УВАГА:** Перед тим, як встановлювати витяжку, зніміть захисну плівку.


- Для кріплення витяжки використовуйте лише гвинти та дрібні деталі.

 **УВАГА:** Якщо гвинти або інші фіксатори були встановлені з порушенням цих інструкцій, це призведе до

виникнення електричної небезпеки.

- Під'єднайте витяжку до електромережі за допомогою біполярного перемикача з відстанню між контактами не менше 3 мм.
- Не можна дивитися прямо на світло через оптичні прилади (біноклі, лупи...).
- Не готуйте під витяжкою методом фламбування: ризик виникнення пожежі.
- Дітям старше 8 років та особам зі зниженими фізичними, сенсорними або розумовими можливостями або з відсутніми знаннями та досвідом можна користуватися цим приладом, якщо вони знаходяться під наглядом або пройшли інструктаж щодо безпечного використання приладу, а також розуміють пов'язані з цим небезпеки. Дітям не можна гратися з приладом. Дітям без нагляду не дозволяється виконувати роботи з очищення або обслуговування приладу.

- Діти повинні бути під наглядом, щоб не допустити їх ігор з приладом.
- Приладом не можуть користуватися особи (у тому числі діти) зі зниженими фізичними, сенсорними або розумовими можливостями або з відсутніми знаннями та досвідом, якщо вони не знаходяться під наглядом або не пройшли інструктаж

 Доступні частини можуть сильно нагріватися, якщо використовувати витяжку з приладами для приготування їжі.

- Після визначеного періоду часу необхідно чистити та/або замінювати фільтри (ризик виникнення пожежі).
- Якщо витяжка використовується одночасно з приладами, що працюють на газу або іншому пальному, то в приміщенні повинна бути відповідна вентиляція (не стосується приладів, які лише виводять повітря назад в приміщення)

Монтаж

Режими монтажу

Витяжка сконструйована для монтажу та роботи або в «Режимі відведення», або в «Режимі циркуляції».

Режим відведення (див. символ в короткій інструкції з монтажу)

Пара від плити затягується та виводиться назовні через вивідну трубу (не входить до комплекту поставки), що під'єднана до виходу для пари на витяжці.

Переконайтесь, що вивідна труба належним чином під'єднана до блоку випуску повітря за допомогою відповідної системи підключення.

Режим циркуляції (див. символ в короткій інструкції з монтажу)

Повітря фільтрується одним або кількома вугільними фільтрами й потім повертається в приміщення.

Важливо: Забезпечте необхідну циркуляцію повітря довкола корпусу витяжки.

Важливо: Якщо витяжка постачається без вугільних фільтрів, а її монтують в режимі циркуляції, то перед початком роботи їх необхідно встановити. Фільтри продаються в магазинах. Корпус необхідно встановлювати на відстані від особливо забруднених місць, вікон, дверей та джерел тепла. Засоби кріплення до стіни не входять до комплекту поставки, бо для стін, що зроблені з різних матеріалів, необхідні різні типи кріплень. Використовуйте системи кріплення з урахуванням їх придатності для стін Вашого будинку та ваги приладу. За більш детальною інформацією зверніться до спеціалізованого дилера. Збережіть цю інструкцію для подальшого використання.


Екологічні аспекти

Утилізація побутових приладів

- Символ  на виробі або на його упаковці означає, що виріб не можна викидати зі звичайним побутовим сміттям. Виріб необхідно утилізувати в спеціальному центрі для повторної переробки електричних та електронних компонентів. Забезпечивши правильну утилізацію виробу Ви допоможете уникнути негативних наслідків для довкілля та здоров'я людей, що їх може викликати неправильна утилізація.

За більш детальною інформацією щодо утилізації цього виробу зверніться до Вашої муніципальної влади, місцевої служби утилізації відходів або до магазину, де було куплено цей виріб.

Утилізація пакувальних матеріалів

Матеріали з символом  можуть йти на вторинну переробку. Викидайте пакувальні матеріали в спеціальні смітєві баки для переробки.

Догляд та очищення

Використання

- Перед виконанням будь-яких робіт з обслуговування прилад необхідно відключити від енергомережі або вийняти штекер.
- Поверхню витяжки не можна використовувати в якості полицьки.
- Витяжка сконструйована виключно для використання в домашньому господарстві з метою видалення кухонних запахів.
- Забороняється використовувати витяжку не за прямим призначенням.
- Забороняється залишати високе відкрите полум'я під витяжкою, яка працює.
- Відрегулюйте інтенсивність полум'я таким чином, щоб воно було направлено лише на дно посуду, та слідкуйте, щоб не виходило за межі дна.
- Якщо користуєтесь фритюрницями, не залишайте їх без нагляду: перегріта олія може загорітися.

Догляд та очищення

- Щоб уникнути потенційної небезпеки пожежі, жирові фільтри потрібно чистити через кожні 2 місяці роботи, або частіше, якщо вони використовуються дуже інтенсивно; фільтри можна мити в посудомийній машині.
- Для очищення витяжки користуйтеся вологою ганчіркою та неагресивним миючим засобом.

Догляд та очищення багаторазового вугільного фільтру (Зелений)

- Через кожні 3-4 місяці (або частіше, якщо інтенсивно користуєтесь витяжкою) мийте та регенеруйте фільтр від запаху, максимально допускається 8 циклів регенерації (у разі дуже інтенсивного використання рекомендується не більше 5 циклів).

Процедура регенерації:

- Вимити в посудомийній машині при максимальній температурі 70° або вручну в гарячій воді без використання абразивних губок (не використовуйте миючі засоби!).
- Висушити в духовці при максимальній температурі 70° протягом 2 годин (рекомендується уважно прочитати інструкцію з експлуатації та монтажу Вашої духовки).

Заміна лампочок

При необхідності заміни зверніться до авторизованого сервісного центру.

Виробник

Ікеа Швеція AB - SE - 343 81 Ельмгульт, Швеція

Електропідключення

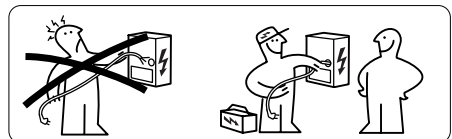


УВАГА: Всі електропідключення повинен виконувати авторизований спеціаліст з монтажу.

- Перед підключенням переконайтеся, що номінальна напруга приладу, яка зазначена на відповідній заводській табличці, відповідає напрузі в електромережі.

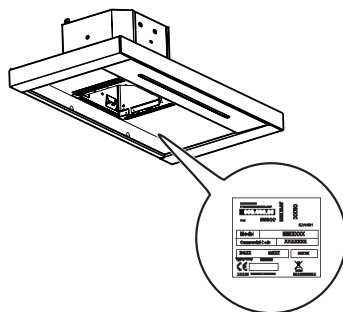


Обережно! Не зварюйте жоден з кабелів!



Заводська табличка

Технічна інформація знаходиться на заводській табличці на внутрішній стороні приладу.



ГАРАНТІЯ ФІРМИ ІКЕА

Як довго діє гарантія фірми ІКЕА?

Термін дії гарантії - 5 (п'ять) років з дати купівлі Вашого приладу в ІКЕА. Оригінальний чек на куплений товар знадобиться як підтвердження покупки. Якщо за гарантією здійснюється обслуговування, це не подовжує гарантійний термін приладу.

Хто виконуватиме сервісні роботи?

Сервісні роботи виконуватиме сервісна компанія, що уповноважена компанією ІКЕА, самостійно або через авторизовану партнерську мережу.

На що розповсюджується ця гарантія?

Ця гарантія розповсюджується на дефекти приладу, спричинені неправильною конструкцією або дефектами матеріалу з дати придбання виробу у ІКЕА. Ця гарантія розповсюджується лише на використання у побути. Винятки наведені у розділі «На що не розповсюджується ця гарантія?» Протягом гарантійного періоду відшкодовується вартість усунення дефекту, наприклад, ремонтні роботи, запасні деталі, послуги з ремонту та транспортні витрати, за умови, що прилад доступний для ремонту без жодних додаткових витрат. Згідно з цими умовами застосовуються Норми ЄС (99/44/EG) та відповідні місцеві норми. Замінені деталі переходять у власність ІКЕА.

Що зробить компанія ІКЕА для усунення проблеми?

Сервісна компанія, що уповноважена компанією ІКЕА, огляне виріб та визначить, на власний розсуд, чи розповсюджується гарантія на цей випадок. Якщо гарантія розповсюджується, то сервісна компанія, що уповноважена ІКЕА, або її авторизований партнер на власний вибір або

полагодить дефектний виріб, або замінить його таким самим чи подібним.

На що не розповсюджується ця гарантія?

- Нормальний знос.
- Умисні пошкодження або пошкодження внаслідок необережності, пошкодження внаслідок недотримання інструкцій з експлуатації, неправильного монтажу або підключення до неправильної електричної напруги, пошкодження, що викликані хімічною або електрохімічною реакцією, іржею, корозією або водою, включно з, та не обмежуючись цим, пошкодження, що викликані надмірним вмістом вапна у мережі водопостачання, пошкодження, що спричинені аномальними умовами довкілля.
- Витратні матеріали, включаючи батарейки та лампочки.
- Нефункціональні та декоративні деталі, які не впливають на нормальне використання приладу, у тому числі будь-які подряпини та можливі відмінності в кольорі.
- Випадкові пошкодження, спричинені сторонніми предметами або речовинами, а також чищенням чи усуненням засмічень з фільтрів, дренажних систем або лотків для мила.
- Пошкодження наступних деталей: склокераміка, аксесуари, кошики для посуду та ножів, водопровідні та каналізаційні труби, прокладки, лампи та захисні ковпаки для ламп, перегородки, ручки, корпуси та деталі корпусів. Крім випадків, коли доведено, що ці пошкодження виникли внаслідок браку при виробництві.
- Випадки, коли протягом технічного огляду не було виявлено жодних дефектів.
- Ремонтні роботи проводила не сервісна

компанія, уповноважена ІКЕА, або її авторизований партнер, або якщо використовували не оригінальні деталі.

- Ремонтні роботи, спричинені неправильним встановленням або не відповідно до специфікації.
- Використання приладу не в домашніх умовах, наприклад, в професійних цілях.
- Пошкодження під час транспортування. Якщо клієнт самостійно доставляє виріб додому або на іншу адресу, то ІКЕА не несе відповідальності за будь-яке пошкодження, що може виникнути під час транспортування. Однак, якщо доставку виробу за адресою покупця здійснює ІКЕА, то на пошкодження виробу, які виникають під час такої доставки, ця гарантія розповсюджується.
- Вартість початкового встановлення техніки виробництва ІКЕА. Однак, якщо сервісна компанія, уповноважена ІКЕА, або її авторизований партнер ремонтує або заміняє прилад згідно з умовами цієї гарантії, то, у разі необхідності, сервісна компанія або її авторизований партнер встановлять відремонтований прилад або наданий в якості заміни.

Це обмеження не застосовується до бездефектних робіт, які виконав кваліфікований спеціаліст із застосуванням оригінальних деталей для того, щоб техніка відповідала технічним умовам безпеки іншої країни ЄС.

Як застосовуються закони країни

Гарантія ІКЕА надає Вам особливі законні права, які охоплюють місцеві вимоги та перевищують їх. Однак ці умови жодним чином не обмежують права споживача, зазначені в місцевому законодавстві

Сфера дії

Для побутової техніки, що куплена в одній країні ЄС та перевезена до іншої країни ЄС, обслуговування буде надаватися відповідно до гарантійних умов, стандартних для нової країни. Зобов'язання надавати послуги в рамках гарантії існує лише тоді, коли прилад відповідає та встановлюється згідно з:

- технічними вимогами країни, де висувається гарантійна претензія;
- інструкцією з монтажу та інформацією з техніки безпеки в інструкції з експлуатації;

Спеціалізована служба післяпродажного обслуговування техніки ІКЕА:

Просимо звертатися до служби післяпродажного обслуговування ІКЕА, щоб:

1. зробити запит на обслуговування за цією гарантією;
2. попросити пояснень щодо встановлення техніки ІКЕА в відповідні кухонні меблі ІКЕА. Ця служба не надає пояснень щодо:
 - монтажу кухні ІКЕА в цілому;
 - підключення до електроживлення (якщо апарат приходить без штекера та кабелю), водо- та газопостачання, бо ці роботи повинен виконувати авторизований сервісний інженер.
3. попросити пояснень щодо змісту інструкції з експлуатації та характеристик приладу ІКЕА. Щоб впевнитись у тому, що ми зможемо надати Вам належну допомогу, перед тим, як зв'язатися з нами, уважно прочитайте інструкцію з монтажу та розділ з експлуатації в цьому буклеті.

Як зв'язатися з нами, якщо Вам потрібна наша допомога



Знайдіть на останній сторінці цієї інструкції повний список уповноважених контактів ІКЕА та відповідні номери телефонів у Вашій країні.

Важливо! Щоб ми могли надати Вам обслуговування якомога швидше, рекомендуємо користуватись спеціальними телефонними номерами, що наведені наприкінці цієї інструкції. Завжди звертайтеся до номерів, вказаних у буклеті конкретного приладу, для якого вам потрібна допомога. Перед тим, як подзвонити нам, перевірте, чи маєте Ви під рукою номер артикулу товару ІКЕА (8-значний код) для приладу, щодо якого Вам необхідна допомога.


Важливо! ЗБЕРЕЖІТЬ ЧЕК НА КУПЛЕНИЙ ТОВАР!


Це підтвердження Вашої покупки, необхідне для застосування гарантії. Зверніть увагу на те, що на чеку зазначено також назву та номер артикулу товару ІКЕА (8-значний код) для кожного приладу, що Ви купили.

Вам необхідна додаткова допомога?

Якщо виникнуть додаткові питання, що не стосуються післяпродажного обслуговування Вашої техніки. Зверніться до кол-центру найближчого до Вас магазину ІКЕА. Ми рекомендуємо Вам уважно прочитати документацію до приладу до того, як звертатися до нас.

Informace o bezpečnosti

 Pro vlastní bezpečnost a za účelem řádného využití přístroje prosíme, abyste si před jeho instalací a zprovozněním pozorně přečetli tuto příručku. Prohlédněte si pečlivě varovné obrázky na začátku tohoto návodu. Ohledně správné a úplné instalace odkazujeme na speciální instalační návod dodávaný spolu s výrobkem. Tuto příručku je třeba uchovávat stále spolu s přístrojem, a to i v případě, že přístroj bude poskytnut nebo prodán třetím osobám. Je důležité, aby se uživatelé seznámili s veškerými aspekty fungování a bezpečnosti přístroje.

 Připojení kabelů musí provést kompetentní technik.

- Výrobce není odpovědný za případné škody způsobené nesprávně provedenou instalací či

nesprávným používáním přístroje.


- Minimální bezpečná vzdálenost mezi varnou deskou a odsávací digestoří je: pro elektrický sporák 500 mm a pro plynový sporák 650 mm.
- Jestliže je v návodu k instalaci plynového sporáku uvedena větší vzdálenost než výše uvedená, je třeba to vzít v úvahu.
- Zkontrolujte, zda síťové napětí odpovídá hodnotám uvedeným na typovém štítku uvnitř digestoře.
- Vypínací zařízení musí být nainstalována do pevného systému v souladu s předpisy o elektroinstalaci.
- U přístrojů třídy I zkontrolujte, zda je síť domácího napájení vhodně uzemněna.
- Připojte digestoř k dýmníku pomocí trubice o minimálním průměru 120 mm. Trasa výparů musí být

co nejkratší.


- Nepřipojujte odsávací digestoř ke komínům, které odvádějí zplodiny ze spalování (např. kotle, komíny apod.).
- Pokud je digestoř používána v kombinaci s neelektrickými přístroji (např. plynovými), musí být v místnosti zaručeno dostatečné větrání, aby nemohlo dojít k návratu plynových zplodin. Jestliže je kuchyňská digestoř používána v kombinaci s přístroji, které nejsou napájeny elektrickým proudem, záporný tlak v místnosti nesmí být vyšší než 0,04 mbar, aby nemohlo dojít ke zpětnému nasávání výparů do místnosti, kde se nachází digestoř.
- Vzduch nesmí být odváděn přes potrubí používané pro odvod výparů ze spalovacích zařízení fungujících na plyn nebo na jiná paliva.
- Pokud je napájecí kabel poškozen, jeho výměnu

může provádět pouze výrobce nebo jeho servisní technik.


- Připojte zástrčku do zásuvky odpovídající normám a ve snadno přístupné poloze.
- Při realizaci technických a bezpečnostních rozměrů pro odvod výparů je třeba pečlivě dodržovat předpisy stanovené místními orgány.

 **UPOZORNĚNÍ:** Před instalací digestoře odstraňte ochranné fólie.

- Použijte pouze šrouby a spojovací materiál vhodného typu pro digestoř.

 **UPOZORNĚNÍ:** Nebudou-li šrouby či upevňovací zařízení namontovány podle tohoto návodu, mohlo by vzniknout nebezpečí zasažení elektrickým proudem.

- Připojte digestoř k napájecí síti za použití dvoupólového vypínače s

- nejméně 3 mm vzdáleností mezi kontakty.
- Nepozorujte přímo optickými přístroji (dalekohledem, lupou....).
 - Pod kuchyňskou digestoř nepřípravujte flambované pokrmy, je zde nebezpečí požáru.
 - Tento spotřebič může být používán dětmi ve věku nad 8 let a osobami se sníženými fyzickými, smyslovými nebo duševními schopnostmi nebo bez patřičných zkušeností a znalostí, pokud jsou pod pečlivým dohledem nebo byly seznámeny s pokyny k použití přístroje bezpečným způsobem a rozumí jeho rizikům. Zkontrolujte, zda si děti nehrají s přístrojem. Čištění a údržba, které mají být vykonávány uživatelem, nesmí být prováděny dětmi, pokud nejsou pod dozorem.
 - Děti musí být pod dohledem, kontrolujte, aby si nehrály s přístrojem.
- Příklad nesmí být používán osobami (včetně dětí) se sníženými fyzicko-smyslovými schopnostmi nebo s nedostatečnými zkušenostmi či znalostmi, s výjimkou případů, kdy jsou pod dostatečným dohledem a byly dostatečně poučeny.
-  Přístupné části mohou při používání varných přístrojů dosahovat vysokých teplot.
- Vyčistěte a/nebo vyměňte filtry po uvedené době (nebezpečí vznícení).
 - Pokud je digestoř používána současně s plynovými přístroji nebo přístroji, které používají nějaké jiné palivo, v místnosti musí být vhodné větrání (nelze aplikovat na přístroje, které pouze vypouštějí vzduch do místnosti)

Instalace

Způsob instalace

Digestoř byla navržena pro instalaci a použití v "odsávacím provedení" nebo v "provedení s recirkulací vzduchu".

Odsávací provedení (viz symbol v návodu k instalaci)

Výpary z vaření jsou odsávány a odváděny ven z obytného prostoru přes odvodní trubici (není součástí dodávky) nainstalovanou na výstupu výparů z digestoře.

Zkontrolujte, zda je odvodní trubice řádně nainstalovaná na výstupu vzduchu pomocí vhodného připojovacího systému.

Provedení s recirkulací vzduchu (viz

symbol v návodu k instalaci)

Vzduch je filtrován přes jeden nebo více filtrů a poté znovu přiváděn do místnosti.

Důležité: Zkontrolujte, zda v okolí digestoře řádně proudí vzduch.

Důležité: Jestliže uhlíkové filtry nejsou součástí vybavení digestoře, před začátkem používání přístroje je třeba tyto filtry objednat a namontovat. Filtry lze běžně koupit.


Digestoř musí být nainstalována daleko od zvláště znečištěných zón, oken, dveří a zdrojů tepla.

Příslušenství pro upevnění na stěnu není součástí dodávky, neboť se liší podle materiálu stěny. Použijte upevňovací systémy vhodné pro stěny Vašeho bytu/domu a pro hmotnost přístroje. Pro podrobnější informace kontaktujte specializovaného prodejce.

Uchovejte tuto příručku pro budoucí konzultace.


Environmentální aspekty

Likvidace domácích spotřebičů

- Symbol  na výrobku nebo na jeho obalu znamená, že výrobek nesmí být likvidován spolu s běžným domovním odpadem. Výrobek musí být zlikvidován ve specializovaném recyklačním středisku pro elektrické a elektronické součásti. Zajištěním správné likvidace tohoto výrobku pomůžete zabránit možným negativním dopadům na životní prostředí a zdraví, které by mohly vzniknout při nesprávné likvidaci.

Podrobnější informace o recyklaci tohoto výrobku získáte u místních obecních úřadů, místní služby likvidace odpadu nebo v obchodě, kde byl výrobek zakoupen.

Likvidace obalových materiálů

Materiály se symbolem  mohou být recyklovány. Obalové materiály zlikvidujte ve speciálních sběrných nádobách na recyklaci.

Čištění a údržba

Použití

- Před jakýmkoliv úkonem údržby přístroj vypněte nebo jej odpojte od sítě napájení.
- Digestoř nesmí být používána jako odkládací plocha.
- Odsávací digestoř je projektována výlučně pro domácí použití, k odstraňování pachů z kuchyně.
- Nikdy nepoužívejte digestoř k jiným účelům než k těm, pro které je určena.
- Nikdy nenechávejte pod digestoří při chodu vysoký plamen.
- Seřídte intenzitu plamene tak, aby byl nasměrován pouze na dno varné nádoby a ujistěte se, aby nešlehal po jejích stranách.
- Kontrolujte fritovací hrnce během používání: příliš zahřátý olej by se mohl vznítit.

Čištění a údržba

- Tukové filtry musí být čištěny každé 2 měsíce provozu, nebo častěji při zvláště náročném používání, aby nedošlo k možnému požáru, a lze je mýt v myčce.
- Digestoř čistěte navlhčeným hadrem a neutrálním tekutým čistícím prostředkem.

Čištění a údržba trvanlivého uhlíkového filtru (zelený)

- Filtr proti zápachu je možné mýt a regenerovat každé 3-4 měsíce (nebo i častěji, jestliže je digestoř vystavena intenzivnímu používání), až do max 8 cyklů regenerace (v případě zvláště intenzivního používání doporučujeme nepřekračovat 5 cyklů).

Postup regenerace:

- Umyjte v myčce při MAX teplotě 70° nebo umyjte ručně teplou vodou. Nepoužívejte abrazivní hubky (nepoužívejte mycí prostředky!).
- Sušte v troubě při MAX teplotě 70° po dobu 2 hodin (doporučujeme si pozorně přečíst návod k použití a montážní instrukce Vaší trouby).

Výměna žárovek

Pro výměnu se obraťte na autorizované servisní středisko.

Výrobce

Ikea of Sweden AB - SE - 343 81 Älmhult, Sweden

Elektrické zapojení

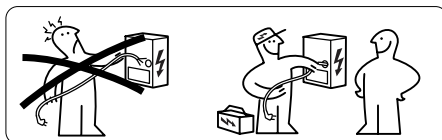


UPOZORNĚNÍ: Všechna elektrická zapojení musí být provedena autorizovaným instalačním technikem.

- Před provedením zapojení zkontrolujte, zda jmenovité napětí přístroje uvedené na příslušném typovém štítku odpovídá napájecímu napětí.

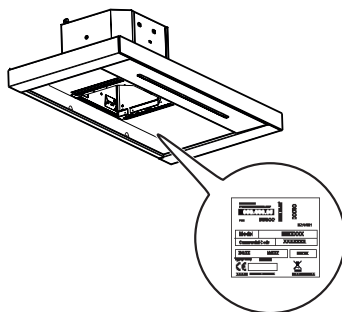


Pozor! Nesvařujte žádné kabely!



Typový štítek

Technické údaje jsou uvedeny na typovém štítku umístěném uvnitř přístroje.



ZÁRUKA IKEA

Jak dlouho je platná záruka IKEA?

Tato záruka platí pět (5) let od původního data nákupu přístroje v obchodě IKEA. Původní účtenka je nezbytná jako doklad o nákupu. Oprava provedená v rámci záruky neprodlužuje záruční dobu přístroje.

Kdo poskytuje servis?

Servis zákazníkům bude zaručen poskytovatelem služeb jmenovaným společností IKEA prostřednictvím vlastní organizace nebo vlastní sítě autorizovaných servisních partnerů.

Na co se vztahuje záruka?

Záruka se vztahuje na případné závady spojené s materiály nebo konstrukcí přístroje a je platná ode dne nákupu přístroje v prodejně IKEA. Záruka je platná pouze pro přístroje určené k použití v domácnostech. Výjimky jsou popsány v bodě „Na co se nevztahuje záruka?“ V období platnosti záruky bude poskytovatel služeb jmenovaný společností IKEA hradit náklady na opravu, náhradní díly, práci a cestovní výdaje pracovníků údržby, za předpokladu, že výrobek bude moci být opraven bez vynaložení příliš vysokých nákladů. Tyto podmínky jsou v souladu se směrnicemi EU (Č. 99/44/ES) a s místními aplikovatelnými normami a právními předpisy. Vyměněné součástky se stanou vlastnictvím IKEA.

Jak IKEA zasáhne, aby vyřešila problém?

Poskytovatel služeb jmenovaný společností IKEA prověří výrobek a na základě svého uvážení stanoví, zda je možné na případ uplatnit záruku IKEA. Pokud ano, poskytovatel služeb jmenovaný společností IKEA nebo její autorizovaný servisní partner na základě vlastního uvážení

rozhodne, zda vadný výrobek bude opraven nebo vyměněn za stejný nebo rovnocenný.

Na co se nevztahuje záruka?

- Běžné opotřebení.
- Úmyslné způsobené škody, poškození způsobené nedodržením návodu k použití, nesprávnou instalací nebo následkem připojení nesprávného napětí. Škody způsobené chemickými nebo elektrochemickými reakcemi, rzi, korozí nebo škody způsobené vodou, včetně škod způsobených přítomností nadměrného množství vápence ve vodovodním potrubí. Škody způsobené atmosférickými a přírodními jevy.
- Součástky, které podléhají opotřebení, jako např. baterie a žárovky.
- Ozdobné a nefunkční části, které neovlivňují běžné používání přístroje, jako například poškrábání a změny zbarvení.
- Náhodná poškození způsobená cizími látkami nebo předměty a čištěním nebo vyprazdňováním filtrů, vyprazdňovacích systémů nebo zásuvek na mycí prostředky.
- Poškození následujících dílů: keramické sklo, příslušenství, košíky na nádoby a přístroje, napájecí a vyprazdňovací potrubí, těsnění, žárovky a kryty žárovek, síta, knoflíky, pouzdra a části pouzder. Pokud však nelze prokázat, že tato poškození byla způsobena výrobními závadami.
- Případy, v nichž nebyly zjištěny závady během návštěvy technika.
- Opravy, které nebyly provedeny poskytovatelem služeb jmenovaným společností IKEA nebo autorizovaným servisním partnerem

nebo opravy, při nichž byly použity neoriginální náhradní díly.

- Opravy zaviněné nesprávně provedenou instalací nebo instalací neodpovídající specifikacím.
- Použití přístroje v nedomácím prostředí, například pro profesionální nebo obchodní použití.
- Škody způsobené při přepravě. V případě přepravy, kterou provádí zákazník do svého bydliště nebo na jinou adresu, IKEA nebude odpovědná za případné škody, k nimž dojde během této přepravy. Jestliže přepravu na adresu zákazníka bude provádět společnost IKEA, na případné škody způsobené během přepravy se bude vztahovat tato záruka.
- Náklady na počáteční instalaci přístroje IKEA. Nicméně, jestliže poskytovatel služeb jmenovaný společností IKEA nebo její autorizovaný servisní partner provedou opravu nebo výměnu přístroje v rámci záruky, bude-li to nutné, poskytovatel nebo servisní partner budou muset zajistit i opětovnou instalaci opraveného přístroje nebo instalaci náhradního přístroje.

Tato omezení se netýkají prací odborně provedených kvalifikovaným personálem s použitím originálních náhradních dílů, jejichž cílem je přizpůsobení přístroje bezpečnostním předpisům jiné země EU.

Aplikovatelnost národních zákonů

Záruka IKEA zákazníkovi poskytuje, kromě práv daných zákonem, která mohou být v různých zemích různá, specifická zákonná práva. Nicméně, tyto podmínky nijak neomezují práva spotřebitele stanovená místními zákony.

Oblast platnosti

Pro přístroje zakoupené v jedné zemi EU a převezené do jiné země EU budou služby poskytovány na základě záručních podmínek aplikovatelných v nové zemi. Povinnost poskytnout službu na základě záručních podmínek existuje pouze tehdy, jestliže:

- přístroj odpovídá technickým specifikacím země, v níž bylo požádáno o aplikaci záruky, a je podle nich nainstalován;
- přístroj odpovídá montážním instrukcím a bezpečnostním informacím obsaženým v uživatelské příručce a je podle nich nainstalován.

Poprodejný zákaznický servis pro přístroje IKEA: Neváhejte kontaktovat poprodejný zákaznický servis IKEA pro:

1. využití záruky;
2. otázky týkající se instalace přístrojů IKEA do specifických vestavěných skříní IKEA. Servisní oddělení neposkytuje servis nebo informace k:
 - instalaci kompletních kuchyní IKEA;
 - elektrickým přípojem (jestliže je přístroj dodán bez kabelů a zástrček), hydraulickým přípojem a přípojem k plynovému systému, které budou muset být provedeny autorizovaným servisním technikem.
3. požadavkům objasnění obsahu uživatelské příručky a specifikací přístroje IKEA.

Aby byl zajištěn co nejlepší servis, než nás budete kontaktovat, přečtěte si pozorně montážní návod a/nebo návod k použití.

Jak nás kontaktovat v případě, že potřebujete náš zásah



Konzultujte úplný seznam poskytovatelů služeb IKEA s příslušnými místními telefonními čísly na poslední stránce této příručky.

Důležité! Pro zaručení rychlejší služby doporučujeme použít telefonní čísla uvedená na konci této příručky. Když žádáte o zásah servisní služby, vždy uveďte specifické kódy přístroje, které jsou obsaženy v této příručce. Předtím, než nás budete kontaktovat, zkontrolujte, zda máte po ruce kód výrobku IKEA (osmimístný) týkající se přístroje, pro který žádáte zásah servisní služby.

Důležité! USCHOVEJTE SI ÚČTENKU! Je to doklad o nákupu a je třeba ho předložit, abyste mohli využít záručního servisu. Na účtence je uveden i název a kód (osmimístný) zakoupeného přístroje IKEA.

Potřebujete další pomoc?

Pro jakékoli další otázky, které se netýkají poprodejněho zákaznického servisu vašich přístrojů. Kontaktujte prosím naše nejbližší call centrum obchodů IKEA. Předtím, než nás budete kontaktovat, doporučujeme si pozorně přečíst dokumentaci přístroje.

Biztonsági információk

i Saját biztonsága és a készülék helyes működése érdekében arra kérjük, hogy a készülék üzembe helyezése és használata előtt figyelmesen olvassa el ezt az útmutatót. Nézze meg figyelmesen a használati utasítás elején lévő figyelmeztető ábrákat. A megfelelő és teljes telepítés érdekében tekintse meg a termékhez mellékelt specifikus telepítési kézikönyvet. Tartsa ezt mindig a készülékkel együtt, a készülék átadása vagy eladása esetén is. Fontos, hogy a felhasználók tisztában legyenek a készülék minden működési és biztonsági jellemzőjével.



A vezetékek bekötését szakembernek kell elvégeznie.

- A gyártót nem terheli felelősség a nem megfelelő üzembe helyezés vagy használat miatt

bekövetkező esetleges károkért.

- A tűzhely teteje és az elszívó közötti minimális biztonsági távolság: elektromos főzőlap esetén 500 mm és gáz főzőlap esetén 650 mm.
- Amennyiben a gázfőzőlap üzembe helyezési útmutatója a fentinel nagyobb távolságot ír elő, úgy azt kell betartani.
- Ellenőrizze, hogy a hálózati feszültség megfelel-e a készülék belsejében levő adattáblán feltüntetett értéknek.
- A hatályos vezetékezési jogszabályoknak megfelelően a rögzített berendezéshez szakaszoló eszközöket kell beszerezni.
- Az I. kategóriájú készülékeknél ellenőrizni kell, hogy az otthoni elektromos hálózat megfelelő földelést biztosít-e.
- Egy legalább 120 mm átmérőjű csővel csatlakoztassa a készüléket

a kéményhez. A füst útjának a lehető legrövidebbnek kell lennie.

- Tilos a készüléket az égésből származó (kazán, kandalló stb.) füstök elvezetésére szolgáló csövekbe bekötni.
- A füstgázok visszaáramlásának megakadályozása érdekében megfelelő szellőzésről kell gondoskodni abban a helyiségben, ahol a készülék mellett nem elektromos üzemű (például gázüzemű) berendezések is vannak. Ha a konyhai elszívót nem villamos készülékekkel együtt használja, a környezeti negatív nyomás nem haladhatja meg a 0,04 mbar értéket, mert csak így kerülhető el az, hogy a készülék visszaszívja a füstgázokat a helyiségbe.
- A levegő nem vezethető ki egy olyan csatornán keresztül, amit a gáz- vagy egyéb tüzelésű készülékek füstelvezetésére használnak.

- A megsérült hálózati zsinór cseréjét kizárólag a gyártó vagy a vevőszolgálat szakembere végezheti.
- A hálózati csatlakozót csak a hatályos előírásoknak megfelelő és jól hozzáférhető konnektorba szabad bedugni.
- A füstelvezetésre vonatkozó műszaki és biztonsági teendőket illetően fontos a helyi hatóságok által előírt szabályok szigorú betartása.



FIGYELEM: Az elszívó üzembe helyezése előtt el kell távolítani a védőfóliákat.

- Csak a készülékhez megfelelő típusú csavarokat és apró alkatrészeket használjon.



FIGYELEM: Áramütés kockázatával járhat az, ha nem szereli fel a jelen utasításban foglaltak szerint a rögzítést szolgáló csavarokat vagy eszközöket.

- A készüléket olyan kétpólusú megszakító közbeiktatásával kell

csatlakoztatni az elektromos hálózathoz, amelyen az érintkezők távolsága minimum 3 mm.

- Tilos optikai eszközökkel (látcső, nagyítóüveg) közvetlenül figyelni.
- Ne készítsen flambírozott ételt az elszívó alatt: ez tűzveszélyes lehet.
- A készüléket 8 évnél nem fiatalabb gyermekek, illetve csökkent fizikai, érzékelési vagy szellemi képességgel rendelkező, megfelelő tapasztalatok és ismeretek nélküli személyek is használhatják szigorú felügyelet mellett, illetve ha ismerik a készülék biztonságos használati módját és a kapcsolódó veszélyeket. Ügyeljen arra, hogy ne játszhassanak gyermekek a készülékkel. A készülék tisztítását és karbantartását nem végezhetik gyermekek, amennyiben nincsenek felügyelve.
- Figyeljen a gyermekekre, hogy ne játszhassanak a készülékkel.

- A készüléket nem használhatják csökkent fizikai, érzékelő vagy szellemi képességgel rendelkező, megfelelő tapasztalatok és ismeretek nélküli személyek (gyerekeket is beleértve), hacsak nem tanítják meg vagy ellenőrzik őket a készülék használatára, illetve használatában.



A főzőberendezés használata közben az elérhető alkatrészek nagyon felmelegedhetnek.

- Az előírt időtartam lejáratát után tisztítsa meg és/ vagy cserélje ki a szűrőket (tűzveszély).
- A helyiség megfelelő szellőzésről kell gondoskodni akkor, ha az elszívót gázzal vagy más tüzelőanyaggal működő egyéb készülékekkel egyidejűleg használja (nem vonatkozik az olyan készülékekre, amelyek csak visszavezetik a levegőt a helyiségbe).

Telepítés

Beszerelési módok

A készüléket „kivezetéses” változatban vagy „keringetéses” változatban történő használatra tervezték.

Kivezetéses változat (lásd a szimbólumot az üzembe helyezési útmutatóban)

A főzési gőzök az elszívás után a szabadba vezetődnek ki egy (nem tartozék) elvezetőcsövön keresztül, amely a készülék gőzkimenetéhez csatlakozik. Fontos, hogy az elvezetőcső megfelelő csatlakoztatással, helyesen legyen felszerelve a levegőkimenetre.

Keringetéses változat (lásd a szimbólumot az üzembe helyezési útmutatóban)

A levegőt a készülék egy vagy több szűrővel megsűri, majd visszaáramoltatja a helyiség légtérébe.


Fontos: Ügyeljen arra, hogy megfelelő legyen a légáramlás a készülék körül.

Fontos: Ha a készülék nem rendelkezik szénzsűrővel, azokat a berendezés használata előtt meg kell rendelni és be kell szerelni. A szűrők kereskedelmi forgalomban kaphatók.

A készüléket a különösen szennyezett helyektől, ablakoktól, ajtóktól és hőforrásoktól távolabb kell beszerelni. A falhoz való rögzítést szolgáló tartozékok nincsenek mellékelve, mivel azok a fal anyagától függően eltérőek. Olyan rögzítési rendszereket használjon, amelyek megfelelőek az otthoni falakhoz és a készülék súlyához. A további részletekért forduljon egy hivatalos márkakereskedőhöz. Őrizze meg az útmutatót, mert később még szüksége lehet rá.


Környezetvédelmi szempontok

Háztartási gépek ártalmatlanítása

- A  szimbólum a terméken vagy a csomagoláson azt jelenti, hogy a terméket tilos a háztartási hulladékkal ártalmatlanítani. A terméket elektromos és elektronikus alkatrészekre szakosodott újrahasznosítási központba kell szállítani. Azzal, hogy gondoskodik a termék megfelelő ártalmatlanításáról, segít megelőzni a nem megfelelő ártalmatlanításból a környezetre és az egészségre gyakorolt esetleges negatív következményeket.

A termék újrafeldolgozásával kapcsolatos részletes információkért forduljon a helyi önkormányzati hivatalokhoz, a helyi hulladékkezelő szolgáltatóhoz vagy az üzlethez, ahol a terméket vásárolták.

Csomagolóanyagok ártalmatlanítása

A  jelzéssel ellátott anyagokat újra lehet hasznosítani. Dobja a csomagolóanyagokat a speciális újrahasznosító gyűjtőtartályokba.

Tisztítás és karbantartás

Használat

- Mielőtt bármilyen karbantartási műveletre sor kerülne, fontos a készülék kikapcsolása vagy áramtalanítása.
- Tilos a készüléket támaszkodási felületként használni.
- Az elszívó készülék kizárólag háztartási célú használatra, a konyhai szagok eltávolítására szolgál.
- Tilos a készüléket a rendeltetésszerű céloktól eltérő célokra használni.
- Tilos a működésben levő készülék alatt magas lángot hagyni.
- A láng erősségét úgy kell beállítani, hogy az kizárólag a főzőedény aljára irányuljon és ne vegye körbe a főzőedény oldalát.
- Az olajsütőt használat közben végig figyelni kell: a felforrósodott olaj könnyen meggyulladhat.

Tisztítás és karbantartás

- A zsírszűrőket minden 2 havi használat után kell tisztítani vagy gyakrabban, különösen nagy igénybevétel esetén, a tűzveszély elkerülése érdekében; a zsírszűrő mosogatógépben mosható.
- A készüléket nedves ruhával és semleges kémhatású folyékony tisztítószerrel kell tisztítani.

Szénszűrő (zöld) tisztítás és karbantartás

- A szagtalanító szűrő 3-4 havonta mosható és regenerálható (vagy gyakrabban, ha a készülék intenzív használatnak van kitéve), legfeljebb 8 regenerációs cikluson keresztül (különösen intenzív használat esetén nem javasolt az 5 ciklusnál hosszabb használat).

A regenerálás folyamata:

- Mossa legfeljebb 70°-on, mosogatógépben, vagy mossa kézzel, meleg vízben, dörzszivacs használata nélkül (ne használjon mosószereket).
- Szárítsa sütőben legfeljebb 70°-os hőmérsékleten 2 órán keresztül (a sütő használati és beszerelési utasításának figyelmes elolvasása javasolt).

Az izzók cseréje

Csere esetén forduljon hivatalos márkaszervizhez.

Gyártó

Ikea of Sweden AB - SE - 343 81 Älmhult, Sweden

Elektromos csatlakozás

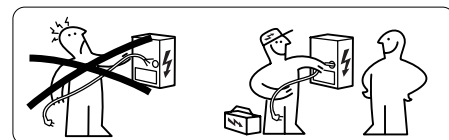


FIGYELMEZTETÉS: Az összes elektromos csatlakozást jóváhagyott szerelőnek kell elvégeznie.

- A csatlakozások elvégzése előtt ellenőrizze, hogy a készülék adattábláján feltüntetett névleges feszültség megfelel-e a tápfeszültségnek.

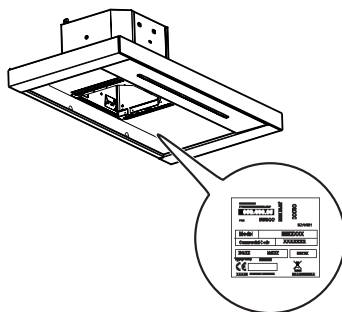


Figyelem! Ne hegessze a kábeleket!



Adattábla

A műszaki adatok a készülék belsejében elhelyezett adattáblán láthatók.



IKEA GARANCIA

Meddig érvényes az IKEA garancia?

Ez a garancia öt (5) évig érvényes a készülék IKEA boltban történt vásárlásának eredeti időpontjától számítva. Az eredeti blokkot – mint vásárlási elismervényt – feltétlenül meg kell őrizni. A garancia keretében végzett javítások nem hosszabbítják meg a készülék garanciális időtartamát.

Ki biztosít vevőszolgálatot?

A vevőszolgálatot az a szolgáltató biztosítja, akit erre az IKEA saját szervezetén vagy a hivatalos vevőszolgálati partnerek hálózatán keresztül kijelöl.

Mire terjed ki a garancia?

A garancia a készülék anyagaihoz vagy kialakításához kapcsolódó esetleges hibákra terjed ki, és attól a naptól érvényes, amelyen megtörténik a készülék vásárlása egy IKEA árusítóhelyen. A garancia csak az otthoni használatra szánt készülékekre terjed ki. A kivételek felsorolása a „Mire nem terjed ki a garancia?” címszó alatt található. A garancia érvényességi időtartama alatt az IKEA által kijelölt szolgáltató fedezi a javítások, a cserealkatrészek, a munkaerő és a karbantartók kiszállásának költségeit, feltéve ha a készülék javítása túlzottan magas költségek nélkül lehetséges. Ezek a feltételek megfelelnek az uniós irányelveknek (99/44/EK), valamint a hatályos helyi jogszabályoknak és előírásoknak. A kicserélt alkatrészek az IKEA tulajdonába kerülnek.

Mit tesz az IKEA a probléma megoldása érdekében?

Az IKEA által kijelölt szolgáltató a termék megvizsgálásával saját kizárólagos hatáskörében eldönti, hogy az adott helyzetben alkalmazható-e az IKEA garancia. Ha alkalmazható, akkor az IKEA által kijelölt

szolgáltató vagy valamelyik hivatalos vevőszolgálati partner saját kizárólagos hatáskörében eldönti, hogy megjavítja a hibás terméket, vagy kicseréli azt egy ugyanolyan vagy egyenértékű termékkel.

Mire nem terjed ki a garancia?

- Normál felhasználódás.
- Szándékosan okozott károsodások, valamint az üzemeltetési útmutató be nem tartása, a helytelen üzem behelyezés vagy a téves feszültségre való csatlakoztatás miatti károsodások. A vegyi vagy elektrokémiai reakciók, rozsdá, korrózió vagy víz miatti károsodások, beleértve a vízvezetékben található túlzott mennyiségű vízkő miatti károsodásokat is. A légköri és természeti jelenségek miatti károsodások.
- Az elhasználandó alkatrészek, például akkumulátorok és izzók.
- A készülék normál használatát nem befolyásoló díszítő és nem funkcionális alkatrészek károsodása, pl. karcolódások és színváltozások.
- Az idegen anyagok vagy testek miatt, valamint a szűrők, elvezetőrendszerek vagy mosószertartók tisztítása vagy eltömődés-mentesítése miatt jelentkező véletlenszerű károsodások.
- A következő alkatrészek sérülése: kerámiaüveg, kiegészítők, edények és evőeszközök, adagoló- és vízvezető csövek, tömítések, lámpák és lámpaburkolatok, képernyők, fogantyúk, burkolatok és burkolatok részei. Hacsak nem bizonyítható, hogy ezeket a sérüléseket gyártási hibák okozták.
- Azok az esetek, amikor a kiszálló szakember nem tud hibát megállapítani.
- A nem az IKEA által kijelölt szolgáltató vagy valamelyik hivatalos vevőszolgálati partner által

végzett javítások, illetve a nem eredeti alkatrészek felhasználásával végzett javítások.

- A helytelen vagy nem az előírások szerint végzett üzem behelyezés miatti javítások.
- A készülék nem háztartási, hanem például professzionális vagy kereskedelmi célú használata.
- A szállítás miatti károsodások. A vevő által a saját otthonában vagy egy másik tartózkodási helyen végzett szállítás esetén az IKEA nem vállalhat felelősséget a szállítás közben jelentkező károsodásokért. Ha azonban a vevő otthonában az IKEA végzi a szállítást, akkor a jelen garancia kiterjed a szállítás közben jelentkező esetleges károsodásokra is.
- Az IKEA készülék első üzembe helyezési költsége. Ettől függetlenül, ha a garancia keretén belül az IKEA által kijelölt szolgáltató vagy valamelyik hivatalos vevőszolgálati partner végez javítást vagy cserét, akkor a szolgáltató vagy a vevőszolgálati partner köteles gondoskodni a megjavított készülék ismételt üzembe helyezéséről, illetve a cserekészülék üzembe helyezéséről is, amennyiben szükséges.

A fenti korlátozások nem vonatkoznak azokra a szakember által szakszerűen és eredeti alkatrészek felhasználásával elvégzett munkákra, amelyek célja a készülék hozzáigazítása egy másik uniós agállam biztonsági előírásaihoz.

A nemzeti törvények alkalmazhatósága

Az IKEA garancia konkrét jogosultságokat biztosít a vevőnek az országoként eltérő és törvényben rögzített jogokon kívül. Ezek a feltételek azonban semmilyen módon nem korlátozzák a helyi jogszabályokban meghatározott fogyasztói jogokat.

Érvényességi terület

A valamelyik uniós tagállamban vásárolt és egy másik uniós tagállamba átszállított készülékeknel a szolgáltatások nyújtása az új tagállamban érvényes garanciális feltételek szerint történik. A garanciális feltételek szerinti szolgáltatásnyújtás kötelezettsége csak akkor áll fenn, ha:

- a készülék és annak üzembe helyezése megfelel azon ország műszaki előírásainak, amelyben a garanciális feltételek alkalmazását kéri;
- a készülék és annak üzembe helyezése megfelel a szerelési utasításoknak és a használati útmutatóban foglalt biztonsági tudnivalóknak.

Az IKEA készülékekhez rendelkezésre álló vevőszolgálat:

Az alábbi ügyekben érdemes a vevőszolgálathoz fordulni:

1. a garancia igénybevétele;

2. felvilágosítás kérése az IKEA készülékeknek a beépített IKEA bútorokba történő beszerelésével kapcsolatban. Az alábbiakra vonatkozóan a vevőszolgálat nem tud érdemi segítséget vagy felvilágosítást adni:
 - komplett IKEA konyhák beszerelése;
 - elektromos csatlakoztatások (ha a készülék szállítása hálózati zsinór és csatlakozó nélkül történik), víz- és gázbekötések, amelyeket csak az erre feljogosított szerviz munkatárs végezhet.
3. felvilágosítás kérése az IKEA készülék használati útmutatójában foglaltakkal és műszaki adataival kapcsolatban.

A segítség nagyobb hatékonysága érdekében a vevőszolgálathoz fordulás előtt a vevőnek ajánlott figyelmesen elolvasnia a szerelési utasításokat és/vagy a használati útmutatót.

Elérhetőségünk segítség kérése esetén



A jelen útmutató utolsó oldalán található az IKEA szolgáltatók teljes listája az adott országra vonatkozó telefonszámokkal együtt.

Fontos! A gyorsabb szolgáltatás érdekében ajánlott a jelen útmutató végén található telefonszámokat használni. Segítség kérése esetén mindig a jelen útmutatóban található készülékkódokra kell hivatkozni. Mielőtt hozzánk fordulna, gondoskodjon arról, hogy kéznél legyen a segítségkérés tárgyát képező készülék IKEA termékkódja (8 jegyű szám).


Fontos! ÓRIZZE MEG A BLOKKOT!


Ez bizonyítja a vásárlást, és ezt kell bemutatni a garancia igénybeviteléhez. A blokk is megtalálható a vásárolt IKEA készülék megnevezése és kódja (8 jegyű szám).

Egyéb segítségre van szüksége?

Ha bármilyen további kérdése van, amely nem kapcsolódik a készülék értékesítés utáni részéhez, forduljon a legközelebbi IKEA áruház call-centeréhez. Kérjük, hogy figyelmesen olvassa el a készülék dokumentációját mielőtt hozzánk fordulna.

Информация за безопасност

 За вашата безопасност и правилна работа с уреда, прочетете внимателно това ръководство преди инсталиране и употреба. Разгледайте внимателно предупредителните изображения в началото на това ръководство. За едно правилно и пълно инсталиране, консултирайте специфичното ръководство за инсталиране, доставено заедно с продукта. Винаги съхранявайте тези инструкции заедно с уреда, дори ако го преместите или продадете. Потребителите трябва да са подробно запознати с експлоатацията и мерките за безопасност на уреда.

 Свързването на проводниците трябва да се извърши от специализиран техник.

• Производителят не носи отговорност за повреди, предизвикани

от неправилен или неподходящ монтаж.

- Минималната безопасна дистанция между плота за готвене и аспиратора е: за електрически плот 500mm и за газов плот 650mm.
- Ако инструкциите за монтаж на газовия котлон посочват по-голямо разстояние, то трябва се спазва.
- Проверете дали захранващото напрежение съответства на посоченото на табелката с данни, поставена от вътрешната страна на аспиратора.
- В електрическата мрежа трябва да е монтиран прекъсвач в съответствие с правилата за окабеляване.
- За уредите от клас I проверете дали електрозахранването в дома гарантира подходящото заземяване.
- Свържете аспиратора към отвеждащия комин, като използвате тръба с диаметър най-малко

120 mm Пътят на комина трябва да е възможно най-къс.

- Не свързвайте аспиратора към отвеждащи тръби, по които преминават леснозапалими пари (бойлери, камини и др.).
- Ако аспираторът се използва заедно с неелектрически уреди (например газови), осигурете достатъчна вентилация, за да избегнете връщане на изпарения в стаята. Когато аспираторът на готварската печка се използва заедно с неелектрически уреди, отрицателното налягане в стаята не трябва да превишава 0,04 mbar, за да не се допусне аспираторът да връща изпарения в стаята.
- В комина, който служи за отвеждане на парите, не трябва да се изпуска въздух от уреди, работещи на газ или друго гориво.
- Ако захранващият кабел е повреден, той трябва да се смени от производителя или от сервиза на негов

представител.

- Включете щепсела в контакт, който отговаря на нормите за електрозахранване и е разположен на достъпно място.
- За да бъдат изпълнени техническите изисквания и изискванията за безопасност при отвеждането на дим и пари, е важно стриктно да се спазват наредбите на местните власти.



ПРЕДУПРЕЖДЕНИЕ:

преди да монтирате аспиратора, махнете защитните фолия.

- Използвайте само винтовете и дребните детайли за закрепване на аспиратора.



ПРЕДУПРЕЖДЕНИЕ:

неспазването на тези инструкции при поставянето на винтовете или закрепващите елементи може да доведе до опасност от електрически удар.

- Свържете аспиратора към електрическата

мрежа, като използвате двуполюсен превключвател с разстояние между контактите поне 3 mm.

- Не гледайте директно към светлината през оптични устройства (бинокли, увеличителни стъкла и др.).
- Не фламбирайте под аспиратора поради риск от пожар.
- Този уред може да се използва от деца на възраст над 8 години, от лица с намалени физически, сетивни и умствени способности или от лица без опит и познания, когато са под наблюдение или са инструктирани как да използват уреда по безопасен начин и разбират възможните опасности. Не позволявайте на деца да си играят с уреда. Дейностите по почистване и поддръжка не трябва да се извършват от деца без надзор.
- Наблюдавайте децата и не позволявайте да си играят

с уреда.

- Уредът не е предназначен за използване от лица (включително деца) с намалени физически, сетивни или умствени способности, или на които липсват опит и познания, освен ако не бъдат наблюдавани или инструктирани.



Достъпните части могат да се нагорещят, когато се използват с готварски уреди.


- Почиствайте и/или сменяйте филтрите след указания период от време (опасност от пожар).
- В стаята трябва да има добра вентилация, когато аспираторът се използва с уреди, работещи на газ или друго гориво (не се отнася за уреди, които изпускат само въздух обратно в помещението).

Инсталация

Режими на инсталиране

Аспираторът е проектиран за монтаж и използване като "модел с отвеждане" или като "модел с рециркулация".

Режим на отвеждане на отработени

газове (виж символ  в ръководството за инсталиране)

Парите от готвенето се засмукват и се отвеждат извън дома през отвеждащата тръба (не е включена в комплекта), която се монтира на изхода за пари на аспиратора.

Уверете се, че отвеждащата тръба е монтирана към изхода за въздух правилно и чрез подходящите връзки.

Режим на рециркулация (виж символ



в ръководството с инструкции за инсталиране)

Въздухът се филтрира през един или няколко въгленови филтри, след което се връща обратно в стаята.


Важно: Осигурете подходяща циркулация на въздуха около аспиратора.

Важно: Ако аспираторът е доставен без въгленови филтри и е монтиран в режим "рециркулация", филтрите трябва да се монтират, преди да използвате аспиратора. Филтрите се предлагат в търговската мрежа.

Аспираторът трябва да се монтира далече от особено замърсени участъци, прозорци, врати и източници на топлина. Аксесоарите за стенен монтаж не са включени в комплекта, тъй като се различават според материала, от който е направена стената. Изберете системи за монтаж, които са подходящи за стените във вашия дом и за теглото на уреда. За повече подробности се свържете със специализиран дилър. Запазете тази книжка за справки в бъдеще.


Екологични аспекти

Изхвърляне на домакински уреди

- Символът  върху неговата опаковка показва, че продуктът не трябва да бъде изхвърлян с обикновените домакински отпадъци. Продуктът трябва да се изхвърли в специализиран център за събиране на отпадъци от електрически и електронни компоненти. Като сте уверени в правилното изхвърляне на този продукт, ще помогнете да се предотвратят евентуални отрицателни последици за околната среда и за здравето, които могат да възникнат в резултат на неговото неправилно изхвърляне.

За допълнителна информация относно изхвърлянето на този продукт, моля, свържете се с местния отдел към вашата община, с местната служба за събиране на смет или с магазина, в който сте закупили продукта.

Изхвърляне на материали от опаковката

Материалите със символа  могат да бъдат рециклирани. Изхвърляйте материалите от опаковката в специалните контейнери за събиране.

Поддръжка и почистване

Употреба

- Изключвайте уреда или изваждайте щепсела от контакта, преди да извършвате дейности по поддръжката.
- Не поставяйте нищо върху горната повърхност на аспиратора.
- Аспираторът е предназначен само за употреба в домашна среда – за премахване на миризмите при готвене.
- Никога не го използвайте за други цели, освен по предназначение.
- Докато аспираторът работи, под него никога не бива да има открит пламък.
- Регулирайте силата на пламъка, така че да бъде насочен само към дъното на съда за готвене, без да обхваща стените му.
- Съдовете за дълбоко пържене трябва да се наблюдават непрекъснато по време на готвенето: прегрятото олио може да избухне в пламъци.

Поддръжка и почистване

- Маслените филтри трябва да се почистват на всеки 2 месеца работа или по-често при особено тежка употреба, за да се избегне потенциална опасност от пожар и могат да се измиват в съдомиялна машина.
- Почиствайте аспиратора с влажна кърпа и неутрален течен миялен препарат.

Поддръжка и почистване на филтъра с активен въглен за многократна употреба (зелен)

- Филтърът против миризми може да се измива и регенерира на всеки 3-4 месеца (или по-често, ако аспираторът е подложен на интензивна употреба), до Макс. 8 цикъла на регенериране (в случай на особено интензивна употреба се препоръчва да не се превишават 5 цикъла).

Процедура за регенериране:

- Измийте в съдомиялната машина при макс. температура 70° или измийте на ръка с гореща вода, без да използвате абразивни гъби (не използвайте почистващи препарати!).
- Изсушете във фурната при температура макс. 70° за 2 часа (препоръчително е да прочетете внимателно ръководството за потребителя и инструкциите за монтаж на вашата фурна).

Смяна на крушките

За смяна се свържете с оторизиран сервизен център.

Производител

Ikea of Sweden AB - SE - 343 81 Älmhult, Sweden

Електрически връзки

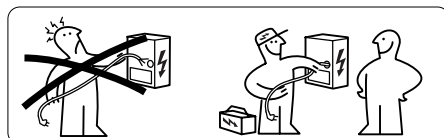


ПРЕДУПРЕЖДЕНИЕ: Всички електрически връзки трябва да се извършат от квалифициран инсталационен техник.

- Преди да извършите свързването, проверете дали номиналното напрежение на уреда, посочено на съответната табелка с технически данни, съответства на захранващото напрежение.

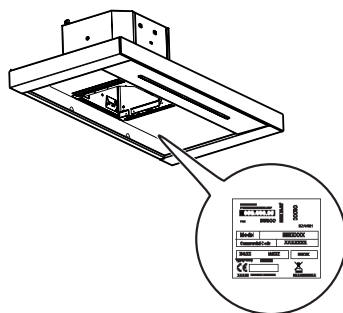


Внимание! Не заварявайте нито един от кабелите!



Табелка с технически данни

Техническата информация е посочена на табелката с технически данни от вътрешната страна на уреда.



ГАРАНЦИЯ ОТ ИКЕА

За какъв срок е валидна гаранцията от ИКЕА?

Тази гаранция е валидна за срок от пет (5) години от датата на първоначалната покупка на уреда от ИКЕА. Оригиналната касова бележка се изисква като доказателство за покупката. Ако в рамките на гаранционния срок е извършено сервизно обслужване, това не удължава гаранционния срок на уреда.

Кой извършва сервизното обслужване?

Доставчикът на сервизно обслужване на ИКЕА извършва обслужване посредством свои собствени сервиси или мрежа от упълномощени сервизни партньори.

Какво покрива тази гаранция?

Гаранцията покрива дефекти на уреда, които са предизвикани от дефектна конструкция или дефекти в материалите, настъпили след датата на покупка от ИКЕА. Тази гаранция важи само при употреба в домашна среда. Изключенията са посочени под заглавие "Какво не се покрива от тази гаранция?". В рамките на гаранционния срок се покриват разходите за отстраняване на дефекта, например ремонти, части, труд и пътуване, при условие че уредът е достъпен за ремонт без специални разноси. При тези условия се прилагат Директивите на ЕС (№ 99/44/ЕО) и съответната местна нормативна уредба. Сменените части стават собственост на ИКЕА.

Какво ще направи ИКЕА, за да отстрани проблема?

Определеният от ИКЕА доставчик на сервизно обслужване ще огледа продукта и ще прецени, по собствено усмотрение, дали за продукта важи тази гаранция. Ако гаранцията важи за продукта,

доставчикът на сервизно обслужване на ИКЕА или негов упълномощен сервизен партньор чрез своя собствен сервиз, по собствено усмотрение, ще ремонтира дефектния продукт или ще го смени със същия или подобен продукт.

Какво не се покрива от тази гаранция?

- Нормално износване и изхабяване.
- Умишлена повреда или повреда, която е предизвикана от небрежност, неспазване на инструкциите за работа, неправилен монтаж или свързване към неподходящо напрежение, химична или електрохимична реакция, ръжда, корозия или вода, включително, но не само повреда, предизвикана от прекомерно количество варовик в подаваната вода, или повреда, предизвикана от необичайни условия на околната среда.
- Консумативи, включително батерии и крушки.
- Нефункционални и декоративни части, от които не зависи нормалното използване на уреда, включително дракотини и възможни разлики в цветовете.
- Случайна повреда, предизвикана от чужди тела или материи, както и почистване и отпушване на филтри, системи за оттичане или чекмеджета за сапун.
- Повреда на следните части: стъклокерамика, аксесоари, кошници за съдове и прибори, тръби за подаване и оттичане, уплътнения, крушки и капаци на крушките, ключове, корпуси и части на корпуси. С изключение на случаите, в които може да се докаже, че тези повреди са предизвикани от дефекти в производството.
- Случаи, в които не е установен дефект при посещението на техник.

- Ремонти, които не са извършени от посочените от нас доставчици на сервизно обслужване и/или упълномощени сервизни партньори, или при които са използвани неоригинални части.
- Ремонти, наложени от монтаж, който е извършен неправилно или без да е спазена спецификацията.
- Употреба на уреда в различна от домашна среда, т.е. професионална употреба.
- Повреди при транспортирането. Ако клиентът сам транспортира продукта до дома си или до друг адрес, IKEA не носи отговорност за повреди, които може да възникнат при транспортирането. Ако обаче IKEA доставя продукта до адреса на клиента, тази гаранция покрива повредите, възникнали по време на доставката.
- Цената на първоначалния монтаж на уреда на IKEA. Ако обаче доставчик на сервизно обслужване на IKEA или негов оторизиран сервизен партньор ремонтира или замени уреда при условията на тази гаранция, той ще монтира ремонтирания или новия уред, ако е необходимо.

Това ограничение не важи за работата без дефекти, извършена от квалифициран специалист с използване на наши оригинални части с цел уредът да се пригоди към спецификациите за техническа безопасност на друга страна от ЕС.

Как се прилага националното законодателство

Гаранцията от IKEA ви дава определени законови права, които съответстват на местните изисквания или ги превишават. Тези условия обаче по никакъв начин не ограничават правата на потребителя, заложили в местното законодателство.

Област на валидност

За уреди, закупени в една страна от ЕС и пренесени в друга страна от ЕС, сервизното обслужване се осигурява съобразно нормалните гаранционни условия в новата страна. Задължение за извършване на сервизно обслужване в рамките на гаранцията съществува само ако уредът отговаря на и е монтиран в съответствие с:

- техническите спецификации на страната, в която е предявен гаранционният иск;
- инструкциите за монтаж и информацията за безопасност в ръководството за потребителя.

Специализиран сервиз за поддръжка на закупените уреди на IKEA:

Не се колебайте да се обърнете към сервиза за поддръжка на IKEA, за да:

1. направите заявка за сервизно обслужване при условията на тази гаранция;
2. поискате разяснения относно монтажа на уреда на IKEA в специализираните кухненски мебели на IKEA. Сервизът не може да даде разяснения относно:
 - цялостния монтаж на кухните на IKEA;
 - връзки към електричество (ако машината е доставена без щепсел и кабел), към вода и газ, тъй като те трябва да се извършат от оторизиран инженер по обслужване.
3. поискайте разяснения относно съдържанието на ръководството за потребителя и техническите характеристики на уреда IKEA.

За да сме сигурни, че Ви предоставяме най-доброто обслужване, моля, прочетете внимателно Ръководството за Инструкциите за Монтаж и/или раздела Ръководство за потребителя на тази брошура, преди да се свържете с нас.

Как да се свържете с нас, ако се нуждаете от нашето обслужване



Моля, направете справка с последната страница на това ръководство за пълния списък на IKEA на контакти и съответните национални телефонни номера.

Важно! За да Ви предоставим по-бързо обслужване, Ви препоръчваме да използвате специалните телефонни номера, представени в края на това ръководство. Винаги се консултирайте номерата, представени в брошурата на дадения уред, за който се нуждаете от обслужване. Преди да се свържете с нас, уверете се, че разполагате с номера на артикул IKEA (8-цифрен код) за уреда, за който се нуждаете от нашето обслужване.

Важно! ЗАПАЗЕТЕ КАСОВАТА БЕЛЕЖКА!


Тя е вашето доказателство за покупка и е необходима, за да бъде в сила гаранцията. Обърнете внимание, че на касовата бележка са посочени името на продукта и артикулния номер на IKEA (8-цифрен код) – за всеки закупен уред.

Нуждаете се от още помощ?

За всякакви допълнителни въпроси, които не са свързани с Отдел Клиенти за техническо обслужване на Вашия уред. Моля, свържете се по телефона с най-близкия център на IKEA. Препоръчваме внимателно да прочетете документацията на уреда, преди да се обърнете към нас.

Informații privind siguranța

 Pentru siguranța proprie și pentru utilizarea corectă a aparatului, citiți cu atenție acest manual înainte de instalare și punerea în funcțiune. Priviți cu atenție imaginile de atenționare de la începutul acestui manual. Pentru o instalare corectă și completă, consultați respectivul manual de instalare, livrat împreună cu produsul. Păstrați întotdeauna aceste instrucțiuni împreună cu aparatul, chiar dacă îl mutați sau îl vindeți. Utilizatorii trebuie să cunoască în întregime modul de funcționare și elementele de siguranță ale aparatului.

 Conectarea cablurilor trebuie să fie efectuată de un tehnician calificat.

- Producătorul nu este responsabil pentru eventualele daune cauzate de instalarea și utilizarea incorectă.
- Distanța minimă de sigu-

ranță între partea superioară a aragazului și hota este: pentru plita electrică 500mm și pentru plita pe gaz 650mm.

- Dacă în instrucțiunile de instalare pentru plita pe gaz se precizează o distanță mai mare decât cea indicată mai sus, aceasta trebuie respectată.
- Controlați ca tensiunea de rețea să corespundă celei indicate pe plăcuța cu date tehnice aplicată pe partea interioară a hotei.
- Dispozitivele de întrerupere trebuie să fie montate în instalația fixă în conformitate cu normele privind sistemele de cablare.
- Pentru aparatele din Clasa I, controlați ca rețeaua casnică de alimentare să dispună de o împământare adecvată.
- Conectați hota aspirantă la canalul de evacuare a fumului cu ajutorul unei conducte cu diametrul minim de 120 mm. Traseul

fumului trebuie să fie cât mai scurt posibil.


- Nu conectați hota aspirantă la conducte de evacuare care transportă fumuri de ardere (de ex. de la boilere, șemineuri etc.).
- Dacă hota este utilizată în combinație cu aparate neelectrice (de ex. aparate pe gaz), trebuie să se asigure un nivel suficient de aerisire în încăpere, pentru a împiedica returul gazelor de evacuare. Dacă hota de bucătărie este utilizată în combinație cu aparate nealimentate cu curent electric, presiunea negativă din încăpere nu trebuie să depășească 0,04 mbari, pentru a evita ca hota să aspire fumul înapoi în încăpere.
- Aerul nu trebuie să fie evacuat printr-o conductă utilizată pentru evacuarea fumului de la aparatele de combustie alimentate cu gaz sau alți combustibili.
- În cazul în care cablul de alimentare este deteriorat, acesta trebuie să fie înlocu-

it de producător sau de un tehnician de la Serviciul de Asistență.

- Conectați ștecherul la o priză conformă normelor în vigoare, amplasată într-un loc accesibil.
- Referitor la măsurile tehnice și de siguranță ce trebuie adoptate pentru evacuarea fumului, este important să se respecte cu strictețe normele stabilite de autoritățile locale.

 **AVERTIZARE:** Înainte de a instala hota, îndepărtați foliile de protecție.

- Utilizați numai șuruburi și elemente de prindere de tip corespunzător pentru hotă.


 **AVERTIZARE:** Lipsa instalării șuruburilor sau a dispozitivelor de fixare în conformitate cu aceste instrucțiuni poate cauza riscuri de șoc electric.

- Conectați hota la rețeaua de alimentare electrică prin intermediul unui întrerupă-

tor bipolar cu deschiderea între contacte de cel puțin 3 mm.

- Nu vă uitați direct prin instrumente optice (binoclu, lupă....).
- Nu pregătiți preparate flambate sub hotă: ar putea surveni un incendiu.
- Acest aparat poate fi folosit de copii cu vârsta de cel puțin 8 ani și de către persoane cu capacități fizice, senzoriale și mentale reduse sau lipsite de experiență și cunoștințe, cu condiția să fie supravegheate atent și instruite în privința modului de utilizare în siguranță a aparatului și în privința pericolelor pe care acesta le prezintă. Copiii trebuie supravegheați pentru a nu se juca cu aparatul. Curățarea și întreținerea nu trebuie să fie efectuate de copii, dacă aceștia nu sunt supravegheați.
- Copiii trebuie supravegheați pentru a nu se juca cu aparatul.
- Aparatul nu trebuie folosit

de persoane (inclusiv copii) cu capacități fizice, senzoriale și mentale reduse sau lipsite de experiență și cunoștințe, cu excepția cazului în care sunt supravegheate și instruite în legătură cu folosirea aparatului.

 Componentele accesibile pot deveni fierbinți în timpul utilizării aparatelor de gătit.

- Curățați și/sau înlocuiți filtrele după perioada de timp specificată (pericol de incendiu).
- Trebuie să existe o ventilație corespunzătoare în încăpere când hota este utilizată concomitent cu aparate care folosesc gaz sau alți combustibili (nu se aplică aparatelor care descarcă o singură dată aerul în încăpere)

Mod de instalare

Mod de instalare

Hota a fost proiectată pentru instalarea și utilizarea în „versiunea aspirantă” sau în „versiunea cu recirculare a aerului”.

Versiunea aspirantă (a se vedea simbolul



în instrucțiunile de instalare)

Aburul de la gătit este aspirat și transportat la exterior cu ajutorul conductei de evacuare (nefurnizată) instalate la ieșirea aburului din hotă. Asigurați-vă că această conductă de evacuare este instalată corect la ieșirea aerului, cu ajutorul unui sistem de conectare adecvat.

Versiunea cu recirculare a aerului (a se



vedea simbolul în instrucțiunile de instalare)

Aerul este filtrat cu ajutorul unuia sau al mai multor filtre și este apoi transportat înapoi în încăpere.

Important: Asigurați-vă că aerul circulă corect în jurul hotei.


Important: Dacă hota nu este prevăzută cu filtre cu carbon, acestea trebuie să fie comandate și montate înaintea utilizării aparatului. Filtrele sunt disponibile în comerț. Hota trebuie instalată la distanță de zonele predispuse la murdărie, de ferestre, uși și surse de căldură.

Accesoriiile pentru fixarea pe perete nu sunt incluse, deoarece diferă în funcție de materialul din care este realizat peretele. Utilizați sisteme de fixare potrivite pentru pereții din propria locuință și pentru greutatea aparatului. Pentru informații mai detaliate, contactați un reprezentant specializat.

Păstrați aceste instrucțiuni pentru consultare ulterioară.


Apecte privind mediul

Eliminarea aparatelor electrocasnice

- Simbolul  pe produs sau pe ambalajul acestuia indică faptul că produsul nu trebuie aruncat împreună cu deșeurile menajere normale. Produsul trebuie eliminat la un centru specializat de reciclare pentru componente electrice și electronice. Asigurându-vă că acest produs este eliminat în mod corespunzător, veți contribui la prevenirea posibilelor consecințe negative pentru mediu și pentru sănătate, care ar putea rezulta din eliminarea necorespunzătoare a acestuia.

Pentru informații mai detaliate despre cum să reciclați acest produs, vă rugăm să contactați birourile locale municipale, serviciul local de eliminare a deșeurilor sau magazinul din care a fost achiziționat produsul.

Eliminarea ambalajelor

Materialele cu simbolul  pot fi reciclate. Aruncați materialele de ambalare în recipiente speciale de colectare a deșeurilor reciclabile.

Curățarea și întreținerea

Utilizarea

- Opriți sau deconectați aparatul de la rețeaua de alimentare înainte de a efectua orice operație de întreținere.
- Hota nu trebuie folosită ca plan de sprijin.
- Hota aspirantă a fost proiectată exclusiv pentru uz casnic, având scopul de a elimina mirosurile din bucătărie.
- Nu utilizați niciodată hota în scopuri diferite de cel pentru care a fost proiectată.
- Nu lăsați niciodată flăcări înalte sub hotă atunci când aceasta este în funcțiune.
- Reglați intensitatea flăcării astfel încât să o dirijați exclusiv sub fundul vasului de gătit, asigurându-vă că nu cuprinde și laturile acestuia.
- Friteuzele trebuie să fie permanent controlate în timpul utilizării: uleiul supraîncălzit ar putea lua foc.

Curățarea și întreținerea

- Filtrele de degresare trebuie curățate la fiecare 2 luni de funcționare sau, mai frecvent, în cazul unei utilizări intense, pentru a evita un potențial pericol de incendiu. Acestea pot fi spălate în mașina de spălat vase.
- Curățați hota folosind o cârpă umedă și un detergent lichid neutru.

Curățarea și întreținerea filtrului cu cărbune, cu durată mare de funcționare (verde)

- Filtrul antimirosuri poate fi spălat și regenerat la interval de 3-4 luni (sau mai frecvent, dacă hota este supusă unei utilizări intensive), până la maximum 8 cicluri de regenerare (în cazul utilizării deosebit de intensive, se recomandă să nu se depășească 5 cicluri).

Procedura de regenerare:

- Spălați în mașina de spălat vase la o temperatură de MAX. 70° sau spălați manual cu apă caldă, fără a folosi bureți abrazivi (nu folosiți detergenți!).
- Uscați în cuptor la o temperatură de MAX. 70° timp de 2 ore (se recomandă să citiți cu atenție manualul de utilizare și instrucțiunile de montaj ale propriului cuptor).

Înlocuirea lămpilor

Pentru înlocuire, contactați un Centru de Asistență Autorizat.

Producător

Ikea of Sweden AB - SE - 343 81 Älmhult, Sweden

Conexiuni electrice

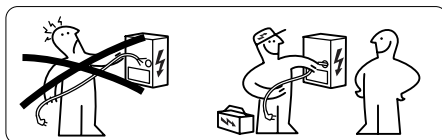


AVERTIZARE: Toate conexiunile electrice trebuie realizate de către un tehnician autorizat.

- Înainte de a efectua conexiunile, verificați dacă tensiunea nominală a aparatului indicată pe placa nominală corespunde tensiunii de alimentare.

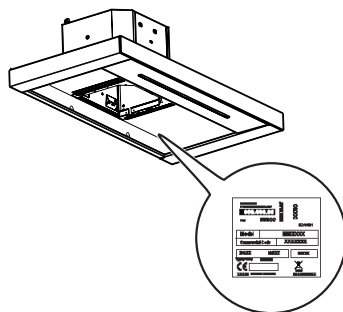


Atenție! Nu sudați cablurile!



Plăcuța cu date tehnice

Datele tehnice sunt precizate pe plăcuța aplicată în interiorul aparatului.



GARANȚIA IKEA

Ce valabilitate are garanția IKEA?

Această garanție este valabilă pentru cinci (5) ani de la data inițială de achiziție a aparatului de la IKEA. Bonul de casă original este indispensabil ca dovadă a achiziției. O reparație efectuată în garanție nu prelungește perioada de garanție a aparatului.

Cine asigură asistența?

Asistența oferită clienților este asigurată de furnizorul de service desemnat de IKEA prin propria organizație sau prin propria rețea de parteneri de asistență autorizați.

Ce acoperă garanția?

Garanția acoperă eventualele defecte legate de materiale și de construcția aparatului și este valabilă începând de la data achiziției aparatului de la un punct de vânzare IKEA. Garanția este valabilă doar pentru aparatele destinate uzului casnic. Excepțiile sunt descrise în secțiunea „Ce nu acoperă garanția?”. În perioada de valabilitate a garanției, furnizorul de service desemnat de IKEA va suporta toate costurile pentru reparație, piese de schimb, manoperă și deplasarea personalului de întreținere, cu condiția ca produsul să poată fi reparat fără costuri prea mari. Aceste condiții sunt conforme cu directivele UE (nr. 99/44/CE) și cu normele și dispozițiile locale aplicabile. Componentele înlocuite vor intra în proprietatea IKEA.

Cum va interveni IKEA pentru a rezolva problema?

Furnizorul de service desemnat de IKEA va examina produsul pentru a stabili, la propria latitudine, dacă acesta este acoperit de garanția IKEA. În caz afirmativ, furnizorul de service desemnat de IKEA

sau un partener de asistență autorizat al acestuia va decide, la propria latitudine, dacă repară produsul defect sau îl înlocuiește cu un produs identic sau echivalent.

Ce nu acoperă garanția?

- Uzura normală.
- Daunele provocate în mod deliberat, daunele provocate de lipsa respectării instrucțiunilor de utilizare, de instalarea incorectă sau de conectarea la o tensiune necorespunzătoare. Daunele provocate de reacții chimice sau electrochimice, rugină, coroziune sau daune cauzate de apă, inclusiv daunele cauzate de prezența unei cantități excesive de calcar în conductele de apă. Daunele cauzate de evenimente atmosferice și naturale.
- Componentele supuse uzurii, de exemplu, baterii și lămpi.
- Componente decorative, fără rol funcțional, care nu influențează utilizarea normală a aparatului, de exemplu, zgârieturi și decolorări.
- Daune accidentale provocate de substanțe sau corpuri străine și curățarea sau destuparea filtrelor, a sistemelor de evacuare sau a sertarelor de detergent.
- Deteriorarea următoarelor părți: sticlă ceramică, accesorii, coșuri de vase și tacâmuri, conducte de alimentare și drenaj, garnituri, lămpi și capace pentru lămpi, ecrane, butoane, carcase și părți ale carcasei. Cu excepția cazului în care se poate dovedi că aceste daune au fost cauzate de defecțiuni de fabricație.
- Cazuri în care nu se depistează defecte în timpul vizitei unui tehnician.
- Reparații neefectuate de furnizorul de service

desemnat de IKEA sau de un partener de asistență autorizat sau reparații în care s-au folosit piese neoriginale.

- Reparații cauzate de instalarea incorectă sau neconformă cu specificațiile.
- Utilizarea aparatului într-un mediu necasnic, de exemplu, pentru uz profesional sau comercial.
- Daune cauzate în timpul transportului. În cazul transportului efectuat de client la propria locuință sau la o altă adresă, IKEA nu poate fi trasă la răspundere pentru eventualele daune survenite în timpul transportului. Totuși, dacă transportul la adresa clientului este efectuat de IKEA, eventualele daune survenite în timpul transportului vor face obiectul acestei garanții.
- Costul instalării inițiale a aparatului IKEA. Totuși, dacă un furnizor de service desemnat de IKEA sau un partener de asistență autorizat al acestuia efectuează o reparație sau o înlocuire a aparatului în garanție, furnizorul sau partenerul de asistență trebuie să asigure și reinstalarea aparatului reparat sau instalarea aparatului de schimb, dacă este necesar.

Aceste limitări nu se aplică lucrărilor efectuate corect de personal calificat sau folosind piese originale pentru a adapta aparatul la normele de siguranță din altă țară UE.

Aplicabilitatea legilor naționale

Garanția IKEA oferă clientului drepturi legale specifice, pe lângă drepturile prevăzute prin lege, care diferă în funcție de țară. Totuși, aceste condiții nu limitează în nici un fel drepturile consumatorului definite de legislația locală.

Sfera de valabilitate

Pentru aparatele achiziționate într-o țară UE și transferate în altă țară UE, serviciile vor fi furnizate în baza condițiilor de garanție aplicabile în țara în care se află aparatul. Obligația de a furniza serviciul în baza condițiilor de garanție persistă doar dacă:

- aparatul este conform și este instalat în conformitate cu specificațiile tehnice din țara în care se solicită aplicarea garanției;
- aparatul este conform și este instalat în conformitate cu Instrucțiunile de montaj și cu informațiile privind siguranța din Manualul de utilizare.

Serviciul de Asistență post-vânzare dedicat aparatelor IKEA:

Nu ezitați să contactați Serviciul de Asistență post-vânzare IKEA pentru:

1. a beneficia de garanție;
2. a solicita clarificări referitoare la instalarea aparatelor IKEA în corpurile încastabile specifice IKEA. Serviciul nu va furniza asistență sau clarificări referitoare la:
 - instalarea de bucătării complete IKEA;
 - conexiuni electrice (dacă aparatul este furnizat fără cabluri și ștecăre), racordări hidraulice și conexiuni la instalația de gaz care trebuie să fie efectuate de un tehnician de asistență autorizat.
3. a solicita clarificări referitoare la conținutul manualului de utilizare și la specificațiile aparatului IKEA.

Pentru a garanta o asistență superioară, vă rugăm să citiți cu atenție Instrucțiunile de montaj și/sau Manualul de utilizare, înainte de a ne contacta.

Cum să ne contactați dacă aveți nevoie de intervenția noastră



Consultați lista completă de furnizori de service IKEA, cu numerele de telefon naționale aferente, pe ultima pagină din acest manual.

Important! Pentru a garanta un serviciu mai rapid, vă rugăm să folosiți numerele de telefon prezentate la sfârșitul acestui manual. Când solicitați serviciul de asistență, menționați întotdeauna codurile specifice aparatului, care se regăsesc în acest manual. Înainte de a ne contacta, asigurați-vă că aveți la îndemână codul de produs IKEA (8 cifre) aferent aparatului pentru care solicitați asistență.



Important! PĂSTRAȚI BONUL DE CASĂ!

Acesta reprezintă dovada de achiziție și trebuie să îl prezentați pentru a putea beneficia de garanție. Pe bon, se menționează și denumirea și codul (din 8 cifre) ale aparatului IKEA achiziționat.

Aveți în continuare nevoie de ajutor?

Pentru întrebări suplimentare care nu au legătură cu serviciile postvânzare. Vă rugăm să contactați cel mai apropiat magazin IKEA sau call center-ul. Vă recomandăm să citiți cu atenție documentația aparatului înainte de a ne contacta.

Informacije o sigurnosti

-  Radi vlastite sigurnosti i ispravnog rada uređaja, molimo da pažljivo pročitate ovaj priručnik prije instalacije i stavljanja u funkciju uređaja. Pozorno čuvajte slike obavještenja na početku ovog priručnika. Za ispravno i potpuno postavljanje pogledajte određeni priručnik za postavljanje koji je dostavljen zajedno s proizvodom. Držite ove upute uvijek skupa s uređajem, također u slučaju ustupanja ili prijenosa trećim osobama. Važno je da su korisnici upoznati sa svim značajkama rada i sigurnosti uređaja.
-  Spajanje električnih vodova mora obaviti kompetentni tehnički stručnjak.
- Proizvođač se ne može smatrati odgovornim za eventualne štete koje proizlaze iz nepravilne instalacije ili neprikladnog korištenja uređaja.
 - Minimalna sigurnosna razdaljina između vrha kuhala i poklopca ekstraktora je: za električnu ploču za kuhanje, 500 mm, a za plinsku ploču za kuhanje, 650 mm.
 - Ako upute za instalaciju plinskog štednjaka određuju veću udaljenost od gore navedene, potrebno je uvažiti.
 - Provjerite da mrežni napon odgovara onom naznačenom na pločici s tehničkim podacima koja se nalazi s unutrašnje strane nape.
 - Glavni izolatori moraju biti instalirani u fiksnom uređaju u skladu s propisima o sustavima ožičenja.
 - Za uređaje razreda I, provjerite da kućna

mreža napajanja ima odgovarajuće uzemljenje.


- Spojite usisnu cijev dimnjaka sa cijevi minimalnog promjera 120 mm. Put kojim prolazi dim mora biti što je moguće kraći.
- Ne spajate usisnu napu na cijevi za odvod dima koje odvođe dim od izgaranja (npr. kotlova, kamina itd).
- Ako se aspirator koristi u kombinaciji s neelektričnim uređajima (npr. uređajima na plin), mora biti osiguran dovoljan stupanj prozračnosti u prostoriji radi sprječavanja vraćanja toka ispušnih plinova. Kad se kuhinjska napa koristi u kombinaciji s uređajima koje ne napaja električna energija, negativni tlak u prostoriji ne smije prelaziti 0,04 mbara kako bi se izbjeglo da napa ponovno usisa dim u prostoriju.
- Zrak se ne smije odvoditi kroz odvodnu cijev koja se koristi za ispuš dima od

uređaja sa izgaranjem koje napaja plin ili druga goriva.

- Ako je kabel napajanja oštećen mora ga zamijeniti proizvođač ili tehničar servisne službe.
- Spojite utikač u utičnicu tipa koji odgovara važećim zakonima i nalazi se na dostupnom mjestu.
- U vezi tehničkih i sigurnosnih mjera koje treba poštovati u vezi ispuštanja dima, važno je pažljivo se pridržavati odredbi lokalnih vlasti.

 **UPOZORENJA:** Prije instaliranja nape, uklonite zaštitne folije.

- Koristite samo vijke i sitni materijal tipa koji odgovara napi.


 **UPOZORENJA:** Nepotpuna instalacija vijaka ili elemenata za učvršćivanje u skladu s ovim uputama može dovesti do opasnosti od električnog udara.

- Spojite napu na mrežu električnog napajanja

pomoću dvopolnog prekidača s udaljenošću kontakata od najmanje 3 mm.

- Ne gledajte izravno optičkim sredstvima (naočale, povećalo...).
- Ne flambirajte ispod nape: može se razviti požar.
- Ovaj uređaj mogu koristiti djeca ne mlađa od 8 godina i osobe smanjenih psihofizičkih i senzornih sposobnosti samo ako su pod nadzorom i ako ih se pouči o načinu korištenja uređaja na siguran način i opasnostima koje korištenje nosi. Pobrinite se da se djeca ne igraju s uređajem. Čišćenje i održavanje od strane korisnika ne smiju izvoditi djeca, osim ako ih se nadzire.
- Nadzirite djecu, pobrinite se da se ne igraju s uređajem.
- Ovaj uređaj ne smiju koristiti osobe (uključujući djecu)

smanjenih psihofizičkih i senzorskih sposobnosti ili nedovoljnog znanja, osim ako ih se pažljivo ne nadzire i instruiira

 Dostupni dijelovi mogu se jako zagrijati tijekom korištenja štednjaka.

- Očistite i/ili zamijenite filtre nakon naznačenog razdoblja (opasnost od požara).
- U prostoriji treba osigurati odgovarajuću ventilaciju kada se napa upotrebljava istodobno s uređajima koji koriste gorivi plin ili druga goriva (ne odnosi se na uređaje koji ispuštaju samo zrak natrag u prostoriju)

Instalacija

Načini instalacije

Napa je osmišljena za instalaciju i korištenje u "verziji s usisavanjem" ili "verziji s recirkulacijom zraka".

Verzija s usisavanjem (pogledajte simbol



u uputama za instalaciju)

Para od kuhanja usisa se i kanalizira izvan stanovanja pomoću ispušne cijevi (nije dio opreme) instalirane na izlaz za paru nape. Pobrinite se da je ispušna cijev pravilno instalirana na izlaz zraka koristeći odgovarajući sustav spajanja.

Verzija s recirkulacijom zraka (pogledajte



simbol u uputama za instalaciju)

Zrak se filtrira putem jednog ili više filtara, a zatim se ponovno kanalizira u prostoriju.

Važno: Pobrinite se za dobru prozračenost oko nape.


Važno: Ako napa nije opremljena filtrima s ugljenom, moraju se naručiti i montirati prije korištenja uređaja. Filtri se mogu nabaviti u slobodnoj prodaji.

Napa mora biti instalirana daleko od posebno prljavih površina, prozora, vrata i izvora topline.

Oprema za učvršćivanje na zid nije uključena jer se razlikuje ovisno o materijalu zida. Koristite elemente za učvršćivanje koji odgovaraju zidovima vašeg stana i težini uređaja. Za detaljnije informacije kontaktirajte specijaliziranog preprodavača. Čuvajte ove upute za buduće konzultiranje.

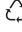
Ekološki aspekti

Odlaganje kućanskih aparata

- Simbol  na proizvodu ili na ambalaži označava da se proizvod ne smije odlagati s uobičajenim kućnim otpadom. Proizvod se mora odlagati u specijalizirani centar za recikliranje električnih i elektroničkih komponenata. Pravilnim odlaganjem ovog proizvoda pomažete u sprečavanju mogućih negativnih posljedica na okoliš i zdravlje koje mogu nastati nepravilnim odlaganjem.

Za detaljnije informacije o načinu recikliranja ovog proizvoda obratite se lokalnim općinskim uredima, lokalnoj službi za zbrinjavanje otpada ili trgovini u kojoj je proizvod kupljen.

Odlaganje ambalažnog materijala

Materijali sa simbolom  mogu se reciklirati. Ambalažni materijal odložite u posebne kante za recikliranje.

Čišćenje i održavanje

Uporaba

- Isključite ili izvucite kabel napajanja prije bilo kakve radnje održavanja.
- Napa se ne smije koristiti kao potporna površina.
- Usisna napa osmišljena je isključivo za kućnu uporabu s namjenom uklanjanja mirisa od kuhanja.
- Nikad ne koristite napu za svrhe drugačije od onih za koje je osmišljena.
- Nikad ne ostavljajte visoki plamen ispod nape dok radi.
- Podesite intenzitet plamena tako da ga usmjerite isključivo prema dnu posude za kuhanje, pazeći da ne izlazi sa strane.
- Friteze je potrebno stalno nadzirati tijekom uporabe: zagrijano ulje može se zapaliti.

Čišćenje i održavanje

- Filtri za mast moraju se čistiti svaka 2 mjeseca rada, ili češće zbog posebno teške upotrebe, kako bi se izbjegla potencijalna opasnost od požara, a mogu se prati u perilici posuđa.
- Očistite napu koristeći vlažnu krpu i neutralni tekući deterdžent.

Čišćenje i održavanje dugotrajnog filtra s ugljenom (zeleni)

- Filtrar protiv mirisa može se prati i obnavljati svaka 3-4 mjeseca (ili češće ako se napa intenzivno koristi), do maksimalno 8 ciklusa obnove (u slučaju posebno intenzivne uporabe, preporučuje se da se ne prelazi 5 ciklusa).

Postupak obnavljanja:

- Operite u perilici posuđa na maksimalnoj temperaturi od 70° ili ručno u vrućoj vodi bez korištenja abrazivnih spužvi (ne koristite deterdžente!).
- Osušite u pećnici 2 sata na maks. temperaturi od 70° (preporučuje se da pažljivo pročitate priručnik za korištenje i upute za montažu vaše pećnice).

Zamjena lampica

Za zamjenu kontaktirajte ovlaštenu servisnu centar.

Proizvođač

Ikea of Sweden AB - SE - 343 81 Älmhult, Sweden

Električni priključak

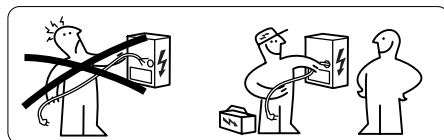


UPOZORENJE: Sve električne priključke mora izvesti ovlaštenu instalater.

- Prije priključivanja provjerite odgovara li nazivni napon uređaja naveden na odgovarajućoj nazivnoj pločici naponu napajanja.



Oprez! Nemojte zavarivati kabele!



kojeg je imenovala IKEA ili ovlašteni partner ili popravci kod kojih su korišteni neoriginalni rezervni dijelovi.

- Popravci uzrokovani neprikladnom instalacijom ili instalacijom koja nije u skladu s uputama.
- Uporaba proizvoda u nekućanskom ambijentu, na primjer za profesionalnu ili komercijalnu uporabu.
- Štete uzrokovane transportom. U slučaju da je transport obavio klijent na vlastitu adresu ili neku drugu adresu, IKEA se ne može smatrati odgovornom za eventualne štete nastale tijekom transporta. Ipak, u slučaju da je transport na adresu klijenta obavila IKEA, eventualne štete uzrokovane transportom ulaze u postojeću garanciju.
- Trošak početne instalacije uređaja IKEA. Ipak, ako pružatelj usluga servisiranja kojeg je imenovala IKEA ili njegov ovlašteni parter obave popravak ili zamjenu uređaja u okviru garancije, pružatelj usluge ili ovlašteni partner mora se pobrinuti i za reinstalaciju popravljenog uređaja ili za instalaciju zamjenskog uređaja, ako je potrebno.

Takva ograničenja ne odnose ne na regularne radnje obavljene od strane kvalificiranog osoblja i uz korištenje originalnih dijelova za prilagodbu uređaja sigurnosnim odredbama neke druge države EU.

Primjenjivost nacionalnih zakona

Garancija IKEA daje klijentu specifična zakonska prava uz prava predviđena zakonom, koja variraju ovisno o državi. Ipak, takvi uvjeti ne ograničavaju ni na koji način prava potrošača definirana lokalnim zakonodavstvom

Područje valjanosti

Za uređaje kupljene u jednoj od država članica EU i preneseni na drugu državu EU, usluge servisiranja pružat će se na temelju uvjeta garancije koji vrijede u novoj državi. Obveza pružanja usluge servisiranja na temelju uvjeta garancije postoji samo ako je:

- uređaj sukladan i instaliran u skladu s tehničkim specifikacijama države u kojoj je tražena primjena garancije;
- uređaj sukladan i instaliran u skladu s uputama za montažu i informacijama u vezi sigurnosti sadržanim u Priručniku za korištenje;

Postprodajna korisnička služba za uređaje IKEA:

Bez oklijevanja kontaktirajte postprodajnu korisničku službu IKEA radi:

1. korištenja garancije;
2. traženja objašnjenja u vezi instalacije uređaja IKEA u specijalne IKEINE ugradbene elemente. Služba neće pružiti pomoć ili objašnjenja vezana uz:
 - instalaciju kompletne kuhinje IKEA;
 - električna spajanja (ako je uređaj dostavljen bez kabela i utikača), hidraulička spajanja i spajanja na plinski uređaj, koja mora obaviti ovlašteni serviser.
3. traženje objašnjenja o sadržaju priručnika za korištenje ili specifikacijama uređaja IKEA. Radi osiguranja što bolje pomoći, molimo vas da pažljivo pročitate Upute za montažu i/ili Priručnik za korištenje prije nego nas kontaktirate.

Kako nas kontaktirati ako trebate našu intervenciju



Proučite kompletni popis pružatelja usluge IKEA s odgovarajućim telefonskim brojevima za svaku državu na zadnjoj stranici ovog priručnika.

Važno! Kako bismo osigurali brzu uslugu, preporučujemo korištenje telefonskih brojeva navedenih na kraju ovog priručnika. Kad se traži pomoć, uvijek se referirajte na specifične kodove uređaja koji su prisutni u ovom priručniku. Prije nego nas kontaktirate, pobrinite se da imate kod sebe kod proizvoda IKEA (8 brojki) koji se odnosi na uređaj za koji se traži pomoć.


Važno! SAČUVAJTE RAČUN!


On je dokaz o kupnji i potrebno ga je pokazati kako bi se mogla iskoristiti garancija. Na računu su navedeni i naziv i kod (od 8 brojki) kupljenog IKEA uređaja.

Trebate dodatnu pomoć?

Za sva dodatna pitanja koja se ne odnose na Korisničku podršku vaših uređaja. Molimo kontaktirajte naš najbliži call centar trgovine IKEA. Preporučujemo vam da pažljivo pročitate dokumentaciju uređaja prije nego nas kontaktirate.

Varnostne informacije



 Zaradi lastne varnosti in za pravilno delovanje naprave priporočamo, da pred namestitvijo in uporabo pozorno preberete ta priročnik. Previdno si oglejte opozorilne slike na začetku tega priročnika. Za pravilno in popolno namestitev glejte priročnik za namestitev, priložen izdelku. Ta navodila vedno shranjujte skupaj z napravo, tudi v primeru, da jo izročite ali predate tretji osebi. Pomembno je, da uporabniki poznajo vse značilnosti delovanja in varnosti naprave.

 Priključitev kablov mora izvesti ustrezno usposobljen tehnik.

- Proizvajalec ne prevzema odgovornosti za morebitno škodo zaradi nepravilne namestitve ali uporabe.
- Najmanjša varnostna razdalja med kahalno

površino in napo je: za električno kahalno ploščo 500 mm in za plinsko kahalno ploščo 650 mm.

- Če navodila za namestitev kahalne površine na plin določajo, da je potrebna večja razdalja od zgoraj navedene, je treba to upoštevati.
- Prepričajte se, da napetost v vašem električnem omrežju ustreza vrednosti, ki je navedena na tablici s podatki v notranjosti nape.
- Naprave za porazdelitev energije morajo biti povezane z nameščeno napravo v skladu s predpisi o kabljskih napeljavah.
- Pri napravah razreda I preverite, ali ima napajalno omrežje v hiši ustrezno ozemljitev.
- Napo priključite na zračnik s cevjo premera najmanj 120 mm. Cev naj bo čim krajša.

- Nape ne priključujte na dimniške vode, ki so namenjeni za odvod dima, ki nastane pri izgorevanju (npr. kotlov, kaminov itd.).
 - Če napo uporabljate skupaj z neelektričnimi napravami (npr. plinskimi napravami), morate zagotoviti zadostno stopnjo prezračevanja prostora, da bi preprečili povratni tok izpušnih plinov. Kadar se kuhinjska napa uporablja skupaj z napravami, ki jih ne napaja električni tok, negativni tlak v prostoru na sme presegati vrednosti 0,04 mbar, da napi preprečimo vsesavanje dima v prostor.
 - Zrak ne sme biti speljan v cev za odvajanje dima pri napravah na plin ali na druga goriva.
 - Poškodovan napajalni kabel mora zamenjati proizvajalec ali tehnik njegove servisne službe.
 - Vtikač priključite v vtičnico, ki je skladna z veljavnimi standardi in na dosegljivem mestu.
 - Glede tehničnih in varnostnih ukrepov, ki jih je potrebno sprejeti za izpust dimov, je treba natančno upoštevati predpise, ki jih določajo lokalni organi.
-  **OPOZORILO:** Preden namestite napo, odstranite zaščitno folijo.
- Uporabite samo vijake in drobne kovinske predmete, ki so primerni za napo.
-  **OPOZORILO:** Če vijakov ali pritrdilnih elementov ne namestite v skladu s temi navodili, lahko pride do električnega udara.
- Napo priključite na napajalno omrežje z bipolarnim stikalom z najmanj 3 mm razdaljo med kontakti.
 - V napravo ne glejte direktno z optičnimi

napravami (daljnogled, povečevalno steklo ...).

- Pod napo ne flambirajte jedi, saj lahko pride do požara.
- Otroci, mlajši od 8 let, in osebe z zmanjšanimi psihičnimi, fizičnimi ali čutilnimi sposobnostmi ali z nezadostnimi izkušnjami in znanjem smejo uporabljati napravo le, če so pod nadzorom odgovornih oseb in če so bili poučeni glede varne uporabe naprave in z njo povezanih tveganj. Pazite, da se otroci ne igrajo z napravo. Otroci ne smejo čistiti in vzdrževati naprave, razen če so pod nadzorom odrasle osebe.
- Nadzorujte otroke in pazite, da se ne bodo igrali z napravo.
- Naprave ne smejo uporabljati osebe (vključno z otroki) z zmanjšanimi psihičnimi, fizičnimi ali čutilnimi sposobnostmi ali z

nezadostnimi izkušnjami in znanjem, razen če jih pri tem nekdo pozorno spremlja in podučí



Med uporabo kuhalnih naprav se lahko dosegljivi deli zelo segrejejo.

- Po navedenem časovnem obdobju očistite in/ ali zamenjajte filtre (tveganje požara).
- Pri uporabi nape skupaj z napravami na plin ali na druga goriva (ne velja za naprave, ki zrak dovajajo nazaj v prostor) je treba prostor zadostno prezračiti

Montaža

Načini montaže

Napa je bila zasnovana za montažo in uporabo v "različici za izsesavanje zraka" ali v "različici za kroženje zraka".

Različica za izsesavanje zraka (glejte

simbol  v navodilih za montažo)

Para, ki nastane med kuhanjem, je vsesana in izločena iz bivalnega prostora skozi odvodno cev (ki ni priložena), nameščeno na izhodu za zrak na napi.

Prepričajte se, da je odvodna cev pravilno nameščena na izhod za zrak z ustreznim priključitvenim sistemom.

Različica za kroženje zraka (glejte simbol

 v navodilih za montažo)

Zrak preide skozi enega ali več filtrov z aktivnim ogljikom in je nato znova usmerjen v prostor.

Pomembno: Prepričajte se, da je okoli nape vzpostavljeno pravilno kroženje zraka.


Pomembno: Če napa nima vgrajenih filtrov z aktivnim ogljem, je filtre treba naročiti in vgraditi pred uporabo naprave. Filtri so komercialno dostopni.

Napa mora biti nameščena proč od umazanih območij, oken, vrat in toplotnih virov.

Priponočki za stensko namestitev niso priloženi, saj so odvisni od materiala stene. Uporabite takšne sisteme pritrditve, ki so skladni s stenami bivalnega prostora in teže naprave. Za bolj podrobne informacije se obrnite na specializiranega prodajalca. To knjižico shranite za prihodnjo uporabo.


Okoljski vidiki

Odstranjevanje gospodinjskih aparatov

- Simbol  na izdelku ali embalaži pomeni, da izdelka ne smete odvreči skupaj z običajnimi gospodinjskimi odpadki. Izdelek je treba odstraniti v specializiranem centru za recikliranje električnih in elektronskih komponent. Če poskrbite, da bo ta izdelek pravilno odstranjen, boste pomagali preprečiti morebitne negativne posledice za okolje in zdravje, ki bi lahko nastale zaradi nepravilnega odstranjevanja.

Za podrobnejše informacije o tem, kako reciklirati ta izdelek, se obrnite na lokalne občinske urade, lokalno službo za odstranjevanje odpadkov ali trgovino, v kateri je bil izdelek kupljen.

Odstranjevanje embalažnega materiala

Materiale s simbolom  je mogoče reciklirati. Embalažo zavržite v posebne zbiralnike za recikliranje.

Čiščenje in vzdrževanje

Uporaba

- Pred vzdrževanjem napravo vedno ugasnite ali izkjučite iz napajalnega omrežja.
- Na napa ne smete odlagati stvari.
- Napa je namenjena izključno uporabi v gospodinjstvu za odstranjevanje kuhinjskih vonjav.
- Nape nikoli ne uporabljajte v namene, za katere ni bila načrtovana.
- Med delovanjem nape pod njo ne sme biti visokega plamena.
- Intenzivnost plamena nastavite tako, da je usmerjen samo v dno posode in se ne dviga ob njenih straneh.
- Cvrtnik med uporabo stalno nadzirajte, saj se preveč razgreto olje lahko vname.

Čiščenje in vzdrževanje

- Filtre za maščobo je treba čistiti vsaka 2 meseca delovanja ali pogosteje pri posebno intenzivni uporabi, da se izognete morebitni nevarnosti požara, in jih lahko operete v pomivalnem stroju.
- Napo očistite z vlažno krpo in nevtralnimi tekočimi detergentom.

Čiščenje in vzdrževanje filtra na aktivno oglje z dolgo življenjsko dobo (zelen)

- Filter proti vonjavam je mogoče regenerirati vsake 3–4 mesece (ali pogosteje, kadar gre za intenzivno uporabo nape), do največ 8 regeneracijskih ciklov (v primeru izjemno intenzivne uporabe se priporoča, da ne presežete 5 ciklov).

Postopek regeneracije:

- Operite v pomivalnem stroju pri temperaturi največ 70 °C ali operite na roke s toplo vodo brez uporabe abrazivnih gobic (ne uporabite detergentov!).
- Posušite v pečici pri temperaturi največ 70 °C za 2 uri (priporočamo, da skrbno preberete navodila za uporabo in sestavljanje pečice).

Menjava žarnic

Za zamenjavo se obrnite na pooblaščen servisno službo.

Proizvajalec

Ikea of Sweden AB - SE - 343 81 Älmhult, Sweden

Električna povezava

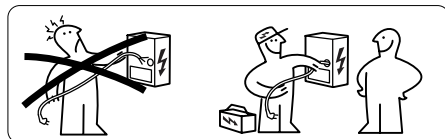


OPOZORILO: Vse električne povezave mora izvesti pooblaščen monter.

- Pred priklopom preverite, ali nazivna napetost naprave, navedena na ustrezni tablici, ustreza napetosti napajanja.

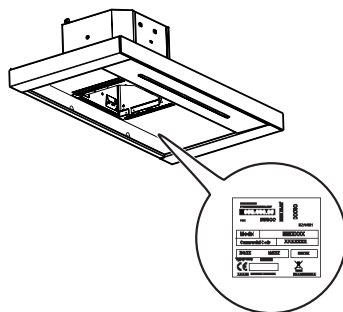


Pozor! Kablov ne varite!



Opisna ploščica

Tehnični podatki so navedeni na tipski ploščici znotraj naprave.



GARANCIJA IKEA

Koliko časa velja garancija IKEA?

Ta garancija velja pet (5) let od datuma nakupa naprave v trgovini IKEA. Kot dokazilo o nakupu je potreben originalni prodajni račun. Če se servisna dela izvajajo pod garancijo, to ne podaljša garancijske dobe naprave.

Kdo zagotavlja pomoč strankam?

Pomoč strankam zagotavlja izvajalec servisnih storitev, ki ga imenuje IKEA, in sicer preko lastne organizacije ali preko mrež pooblaščenih servisnih partnerjev.

Kaj pokriva garancija?

Garancija pokriva morebitne napake, ki so povezane z materiali ali konstrukcijo naprave, in velja od datuma nakupa naprave na prodajni točki IKEA. Garancija velja samo za naprave, ki so namenjene domači uporabi. Izjeme so opisane v rubriki »Česa ne pokriva garancija?« V obdobju veljavnosti garancije izvajalec servisnih storitev, ki ga imenuje IKEA, krije stroške popravila, nadomestnih delov, dela in potne stroške vzdrževalnega osebja, če se izdelek lahko popravi brez previsokih stroškov. Ti pogoji so skladni z direktivami EU (št. 99/44/ES) ter veljavnimi lokalnimi predpisi in odredbami. Zamenjani deli postanejo last podjetja IKEA.

Kako bo ukrepala IKEA, da reši težavo?

Izvajalec servisnih storitev, ki ga imenuje IKEA, bo izdelek pregledal in izključno po lastni presoji določil, ali izdelek pokriva garancija IKEA. V primeru potrditve se izvajalec servisnih storitev, ki ga imenuje IKEA, ali njegov poo-

blaščeni servisni partner izključno po lastni presoji odloči, ali bo izdelek z napako popravil ali zamenjal z enakim ali ustreznim izdelkom.

Česa garancija ne pokriva?

- Običajne obrabe.
- Poškodb, ki so bile povzročene namerno ali zaradi neupoštevanja navodil za uporabo, nepravilne namestitve ali povezave na neustrezno napetost. Poškodb, ki so jih povzročile kemične ali elektrokemične reakcije, rja, korozija ali škoda, ki jo je povzročila voda, vključno s škodo, ki je nastala zaradi prekomerne prisotnosti apnenca v vodovodni napeljavi. Poškodb, ki so jih povzročili atmosferski ali naravni pojavi.
- Delov, podvrženih obrabi, na primer baterije in žarnice.
- Nefunkcionalnih dekorativnih delov, ki ne vplivajo na običajno uporabo naprave, na primer praske in spremembe barve.
- Nenamernih poškodb, ki so jih povzročile tuje snovi ali delci in čiščenje ali odmaševanje filtrov, sistemov za odvajanje ali predalov za sredstva za čiščenje.
- Poškodbe na naslednjih delih: keramično steklo, pripomočki, košare za posodo in jedilni pribor, dovodne in drenažne cevi, tesnila, svetilke in pokrovi svetilk, zasloni, gumbi, ohišja in deli ohišij. Razen če je mogoče dokazati, da so takšno škodo povzročile proizvodne napake.
- Primerov, ko tehnik pri pregledu ni odkril napak.
- Popravit, ki jih ni izvedel izvajalec servisnih

storitev, ki ga imenuje IKEA, ali njegov pooblaščen servisni partner oziroma popravil, pri katerih niso bili uporabljeni originalni deli.

- Popravil, ki so potrebna zaradi neprimerne namestitve ali namestitve, ki ni bila v skladu s specifikacijami.
- Uporabe naprave v negospodinjstvem okolju, na primer v profesionalne ali komercialne namene.
- Poškodb, nastalih med transportom. V primeru, da izdelek do lastnega stanovanja ali na drug naslov dostavi stranka, IKEA ne prevzema odgovornosti za poškodbe, ki so nastale med transportom. Če pa je izdelek na strankin naslov dostavila IKEA, potem ta garancije pokriva morebitne poškodbe, povzročene s transportom.
- Stroškov prvotne namestitve naprave IKEA. Če izvajalec servisnih storitev, ki ga imenuje IKEA, ali njegov pooblaščen servisni partner opravi popravilo ali zamenjavo naprave v okviru garancije, mora izvajalec ali servisni partner, če je potrebno, poskrbeti tudi za ponovno namestitvev popravljene ali nove naprave.

Te omejitve ne veljajo za dela, ki jih usposobljeno osebje ustrezno izvede in pri katerih so uporabljeni originalni deli z namenom, da bi napravo priredili varnostnim predpisom druge države EU.

Uporaba nacionalnih zakonov

Garancija IKEA stranki podeljuje posebne pravne pravice poleg pravic, ki jih predvideva zakon, in se razlikujejo glede na državo. Ti pogoji nikakor ne omejujejo pravic potrošnikov, ki jih ureja lokalna zakonodaja

Območje veljavnosti

Za naprave, ki so kupljene v eni državi EU in se prenesejo v drugo državo EU, je za servis poskrbljeno na osnovi pogojev garancije, ki veljajo v novi državi. Obveznost zagotavljanja servisa na osnovi garancijskih pogojev je utemeljena le, če:

- je naprava skladna s tehničnimi specifikacijami države, v kateri se uveljavlja garancija;
- je naprava skladna z navodili za montažo in informacijami o varnosti, ki so v priročniku za uporabo, ter nameščena skladno z njimi;

Poprodajna servisna služba za naprave IKEA:

Brez oklevanja se obrnite na poprodajno servisno službo IKEA, če želite:

1. uveljaviti garancij;
2. dobiti pojasnila glede namestitve naprav IKEA v posebno pohištvo za vgradnjo IKEA. Servisna služba ne nudi pomoči ali pojasnil za:
 - namestitve kompletnih kuhinj IKEA;
 - električne priključitve (če se naprava dobavlja brez kablov in vtikačev), vodovodne priključitve in priključitev naprave na plin, kar mora izvesti pooblaščen servisni tehnik.
3. dobiti pojasnila v zvezi z vsebino priročnika za uporabo in glede specifikacij naprave IKEA.

Da zagotovite najustreznejšo pomoč, vas prosimo, da pozorno preberete navodila za montažo in/ali priročnik za uporabo, preden pokličete servisno službo.

Kako vzpostavite stik, če potrebujete našo pomoč



Oglejte si popoln seznam izvajalcev servisnih storitev IKEA in njihovih telefonskih števil, ki so na zadnji strani tega priročnika.

Pomembno! Da zagotovite čim hitrejši servis, priporočamo uporabo telefonskih števil, ki so navedene na koncu tega priročnika. Kadar zahtevate pomoč, vedno navedite ustrezne kodo naprave, ki jih najdete v tem priročniku. Preden pokličete, se prepričajte, ali imate pri roki kodo izdelka IKEA (8 števil), ki se nanaša na napravo, v zvezi s katero želite pomoč.



Pomembno! SHRANITE RAČUN!



To je vaš dokaz o nakupu, ki ga morate predložiti, da lahko uveljavljate garancijo. Na računu sta navedena tudi ime in koda (8 števil) naprave IKEA, ki ste jo kupili.

Ali potrebujete dodatno pomoč?

Za vsa dodatna vprašanja, ki niso povezana s poprodajo vaše naprave, se prosim obrnite na najbližji klicni center trgovine IKEA. Preden pokličete, priporočamo, da pozorno preberete dokumentacijo naprave.

Безбедносне информације


-  Ради ваше безбедности и правилног коришћења уређаја, пре монтаже и употребе пажљиво прочитајте ово упутство. Пажљиво погледајте слике упозорења на почетку овог упутства. За правилну и потпуну инсталацију погледајте посебно упутство за инсталацију испоручено са производом. Увек чувајте ово упутство заједно са уређајем, чак и приликом пресељења или продаје. Корисници морају у потпуности да познају рад и безбедносне карактеристике уређаја.
-  Спајање каблова мора да обави специјализовани техничар.
- Произвођач неће бити одговоран ни за какву штету насталу услед неправилне или неодговарајуће инсталације.
 - Минимална сигурносна удаљеност између плоче шпорета и аспиратора је: за електричну плочу 500 mm и за плинску плочу 650 mm.
 - Ако је у упутству за постављање гасног штедњака наведено веће растојање, то се мора поштовати.
 - Проверите да ли напон напајања одговара ономе који је назначен на натписној плочици са унутрашње стране аспиратора.
 - Уређај за прекид напајања мора бити уграђен у фиксно ожичење у складу са прописима о ожичавању.
 - У случају уређаја 1. класе, проверите да ли струјна утичница може да обезбеди адекватно уземљење.
 - Прикључите аспиратор на вентилациону цев помоћу цеви пречника

- бар 120 mm.
- Цев мора бити што је могуће краћа. Не прикључујте аспиратор на издувне цеви кроз које пролазе продукти сагоревања (нпр. из котлова и камина).
 - Ако се аспиратор користи заједно са неелектричним уређајима (нпр. уређаји који сагоревају гас), мора се обезбедити довољна проветреност просторије да би се спречио повратни ток издувног гаса. Када се аспиратор користи заједно са уређајима који не користе електричну енергију, негативан притисак у просторији не сме прећи 0,04 mbar да се испарења не би враћала кроз аспиратор у просторију.
 - Ваздух не сме да се одводи у вентилациону цев која се користи за одвод испарења из уређаја који раде на гас или друга горива.
 - Ако се кабл за напајање оштети, мора га заменити произвођач или његов заступник.
 - Утикач ставите у утичницу која је у складу са важећим прописима и постављена на лако доступном месту.
 - У погледу примене техничких и безбедносних мера које се односе на издување испарења, важно је пажљиво се придржавати прописа локалних власти.
-  **УПОЗОРЕЊЕ:** пре постављања аспиратора скините заштитне фолије.
- Користите само завртње и мале делове који држе аспиратор.
-  **УПОЗОРЕЊЕ:** постављање завртњева или носача које није у складу са овим упутством може довести до струјног удара.
- Прикључите аспиратор у струју преко двополног прекидача код кога

је растојање између контаката бар 3 mm.

- Не гледајте директно у извор светлости кроз оптичка помагала (наочаре, лупе...).
- Не фламбирајте намирнице испод аспиратора; опасност од ватре.
- Овај уређај могу да користе деца узраста од 8 година навише и особе са смањеним физичким, чулним или менталним способностима, као и особе које немају довољно искуства и знања, ако су под надзором или су упућене у безбедан начин употребе уређаја и разумеју могуће опасности. Малој деци не дозволите да се играју са уређајем. Чишћење и одржавање не треба да обављају деца без надзора.
- Деца морају бити под надзором да се не би играла са уређајем.
- Овај уређај не треба

да користе особе (укључујући и децу) са смањеним физичким, чулним или менталним способностима, као и особе које немају довољно искуства и знања, сем ако их надзиру или о употреби уређаја саветују особе одговорне за њихову безбедност

 Приступачни делови могу постати врели кад се користе заједно са апаратима за кување.

- Очистите и/или замените филтере након одређеног временског периода (опасност од ватре).
- Просторија се мора адекватно проветравати ако се аспиратор користи у исто време кад и уређаји који раде на гас или друга горива (не односи се на уређаје који испуштају ваздух натраг у просторију)

Монтажа

Начини монтаже

Аспиратор је пројектован за постављање и коришћење у виду верзије за издување или верзије за рецикулацију.

Верзија за издување (види симбол



у приручнику за монтажу)

Кухињска испарења се усисавају и затим изводе из куће кроз одводну цев (није приложена) причвршћену за излазни отвор аспиратора.

Обезбедите правилно причвршћивање одводне цеви за излазни отвор помоћу одговарајућег система спајања.

Верзија за рецикулацију (види симбол



у приручнику за монтажу)

Ваздух се филтрира кроз један или више филтера са активним угљем и затим враћа у просторију.

Важно: Обезбедите добар проток ваздуха око аспиратора.

Важно: Ако је аспиратор испоручен без филтера са активним угљем у верзији за рецикулацију, они морају да се поставе пре почетка коришћења аспиратора. Филтери могу да се набаве у продавницама.

Аспиратор треба поставити подаље од врло прљавих површина, прозора, врата и извора топлоте.

Прибор за монтажу на зид нису приложени зато што зидови од различитих материјала захтевају различите причврсне елементе. Користите причврсне системе примерене врсти зида и тежини уређаја. За детаљније информације обратите се специјализованом дистрибутеру. Сачувајте ову књижицу за будуће потребе.

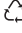
Еколошки аспекти

Одлагање кућних апарата

- Симбол  на производу или на амбалажи означава да се производ не сме одлагати са уобичајеним кућним отпадом. Производ се мора одложити у специјализовани центар за рециклирање електричних и електронских компонената. Правилним одлагањем овог производа помажете у спречавању могућих негативних последица по животну средину и здравље које могу настати услед његовог неправилног одлагања.

За детаљније информације о начину рециклирања овог производа, обратите се локалним општинским властима, локалној служби за одлагање отпада или продавници у којој је производ купљен.

Одлагање амбалажног материјала

Материјали са симболом  могу се рециклирати. Материјале за паковање одложите у посебне канте за сакупљање рециклираног отпада.

Чишћење и одржавање

Употреба

- Искључите уређај или га раздвојте од извора напајања пре било каквог рада на одржавању.
- Горња површина аспиратора не сме да се користи као полица.
- Аспиратор је пројектован искључиво за уклањање кухињских мириса у домаћинству.
- Никад не користите аспиратор за било шта осим за оно за шта је намењен.
- Никад не остављајте отворен пламен испод укљученог аспиратора.
- Подесите интензитет пламена тако да буде усмерен само на дно тигања, а не да обухвати и његове бочне стране.
- Фритезе се током употребе морају непрекидно надзирати: прегрејано уље може да се запали.

Чишћење и одржавање

- Филтери за маст морају се чистити свака 2 месеца рада, или чешће због нарочито тешке употребе, како би се избегла потенцијална опасност од пожара, и могу се прати у машини за прање судова.
- Аспиратор чистите влажном крпом и неутралним течним детерџентом.

Дугорочно чишћење и одржавање Филтер са активним угљем (зелени)

- Филтер за мирисе може да се регенерише свака 3–4 месеца (или чешће ако се аспиратор користи интензивно), до највише 8 циклуса регенерације (у случају нарочито интензивне употребе не препоручује се више од 5 циклуса).

Поступак регенерације:

- Перите у машини за прање посуђа на температури до 70 °C или ручно у топлој води не користећи абразивне сунђере (не користите детерџенте!).
- Сушите у рерни 2 сата на температури до 70 °C (препоручује се да пажљиво прочитате кориснички приручник и упутство за склапање пећнице).

Замена сијалица

За замену контактирајте овлашћени сервисни центар.

Произвођач

Ikea of Sweden AB - SE - 343 81 Älmhult, Sweden

Електрични прикључак

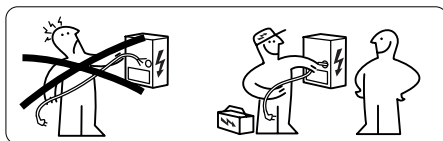


УПОЗОРЕЊЕ: Све електричне прикључке мора да изведе овлашћени инсталатер.

- Пре прикључивања, проверите да називни напон уређаја наведен на одговарајућој типској плочици одговара напону напајања.

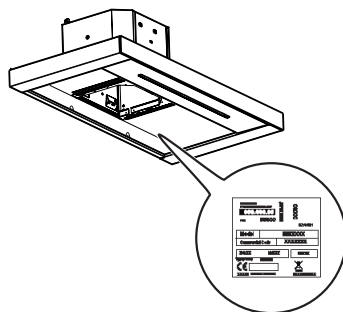


Опрез! Не заварујте ниједан кабл!



Називна плочица

Технички подаци су дати на натписној плочици унутар уређаја.



ГАРАНЦИЈА КОМПАНИЈЕ ИКЕА

Колико важи гаранција компаније ИКЕА?

Ова гаранција важи пет (5) година од дана куповине уређаја у продавници ИКЕА. Као доказ куповине потребно је имати оригиналан рачун. Ако се под гаранцијом обави неко сервисирање, то неће продужити гарантни период уређаја.

Ко обавља сервис?

Сервисер ИКЕА пружаће услуге у сопственој режији или путем овлашћене мреже сервисних партнера.

Шта покрива гаранција?

Гаранција покрива кварове уређаја настале услед грешака у материјалу и изради од дана куповине у продавници ИКЕА. Ова гаранција важи само за употребу у домаћинству. Изузеци су наведени у питању „Шта није покривено овом гаранцијом?“ Током гарантног рока биће покривени трошкови отклањања квара тј. оправка, резервни делови, рад и путни трошкови у случају када је уређај доступан за оправку без посебних издатака. Под тим условима важе смернице ЕУ (бр. 99/44/ЕС) и одговарајући локални прописи. Замењени делови постају власништво компаније ИКЕА.

Како ће ИКЕА отклонити проблем?

Овлашћени сервисер компаније ИКЕА ће испитати производ и одлучити по свом нахођењу да ли је он покривен овом гаранцијом. Ако се сматра покривеним, сервисер компаније ИКЕА или његов овлашћени сервисни партнер ће тада у сопственој режији и по свом нахођењу или

оправити неисправан уређај или га заменити истим или сличним производом.

Шта није покривено овом гаранцијом?

- Нормално хабање.
- Оштећења настала намерно или услед немара, непридржавања упутства за употребу, неисправне монтаже или прикључивања на погрешан напон, оштећења изазвана хемијском или електрохемијском реакцијом, рђањем, корозијом или продором воде, укључујући између осталог и оштећења настала услед прекомерне количине кречњака у води, као и оштећења изазвана ненормалним условима средине.
- Потрошни материјал у који спадају батерије и сијалице.
- Нефункционални и украсни делови који не утичу на нормалан рад уређаја, укључујући и било какве огреботине и промене боје.
- Оштећења настала услед дејства страних тела или супстанци, као и приликом чишћења или деблокаде филтера, испусних система или фиока за сапун.
- Оштећења следећих делова: стаклокерамичке плоче, прибор, корпе за посуђе и есцајг, напојне и испусне цеви, заптивке, лампе и абажури, решетке, дугмад, кућишта и делови кућишта. Ако за таква оштећења не може да се докаже да су настала при производњи.
- Случајеви када током посете техничара не буде утврђена никаква грешка.
- Оправке које нису обавили наша овлашћени сервисери и/или овлашћени

сервисни партнери или ако су коришћени неоригинални делови.

- Оправке услед монтаже која је неисправна или није у складу са спецификацијом.
- Употреба уређаја изван домаћинства, тј. професионална употреба.
- Оштећења при транспорту. Ако купац превезе производ на своју кућну или неку другу адресу, ИКЕА не одговара ни за каква оштећења која могу настати при транспорту. Међутим, ако ИКЕА испоручује производ на одредишну адресу купца, тада ће оштећење производа настало током те испоруке бити покривено овом гаранцијом.
- Трошкови почетне монтаже уређаја ИКЕА. Међутим, ако сервисер компаније ИКЕА или његов овлашћени сервисни партнер или његов овлашћени сервисни партнер ће по потреби поново монтирати оправљени или заменски уређај.

Ово ограничење не важи за непрекоран рад који квалификовани специјалиста обави уз коришћење наших оригиналних делова ради адаптирања уређаја према техничким безбедносним спецификацијама неке друге земље ЕУ.

Важење локалних закона

Гаранција компаније ИКЕА вам даје одређена права која покривају или надилазе локалне правне захтеве. Међутим, ови услови ни на који начин не ограничавају права потрошача дефинисана локалним прописима

Подручје важења

За уређаје купљене у једној земљи ЕУ и пренете у неку другу земљу ЕУ сервис ће бити пружен под окриљем гарантних услова нормалних за ту другу земљу. Обавеза обављања сервиса под окриљем ове гаранције постоји само ако је уређај усклађен и постављен у складу са:

- техничким спецификацијама земље у којој је затражена рекламација;
- упутством за склапање и безбедносним информацијама у корисничком приручнику;

Наменске постпродајне услуге за уређаје ИКЕА:

Слободно контактирајте Службу за постпродајне услуге компаније ИКЕА да бисте:

1. затражили сервисирање под овом гаранцијом;

2. затражили разјашњење у вези са монтажом уређаја ИКЕА у наменском кухињском намештају компаније ИКЕА. Служба неће пружати појашњења која се односе на:
 - свеукупном монтажом кухиње ИКЕА;
 - прикључцима за струју (ако се машина испоручује без утикача и кабла), воду и гас зато што њих треба да обави овлашћени сервисер.
3. затражили разјашњење садржаја корисничког упутства и спецификација уређаја ИКЕА.

Да бисмо могли да вам помогнемо на најбољи начин, пре него што нас контактирате пажљиво прочитајте одељке Упутство за склапање и/или Упутство за коришћење у овој књижици.

Како да дођете до нас ако вам затреба сервис



Погледајте на задњој страни овог приручника комплетну листу ИКЕА овлашћених контаката и њихове локалне телефонске бројеве.

Важно! Да бисмо вам пружили бржу услугу, препоручујемо да користите одговарајуће телефонске бројеве наведене на крају овог приручника. Увек користите бројеве наведене у књижици одговарајућег уређаја за који вам је потребна помоћ. Пре позивања при руци треба да имате ИКЕА број артикла (8-цифрени код) уређаја за који тражите нашу помоћ.


Важно! САЧУВАЈТЕ РАЧУН!


То је доказ о куповини који морате имати да би гаранција важила. Имајте на уму да се на рачуну налазе ИКЕА бројеви артикла и бројеви (8-цифрени код) за сваки купљени уређај.

Да ли вам је потребна додатна помоћ?

За сва додатна питања која се не односе на постпродајне услуге ваших уређаја. Молимо контактирајте наш најближи ИКЕА позивни центар. Препоручујемо да пре позивања пажљиво прочитате документацију уређаја.

Informācija par drošību

 Lai droši un pareizi ekspluatētu savu ierīci, pirms tās uzstādīšanas un lietošanas rūpīgi izlasīt šo brošūru. Rūpīgi apskatiet brīdinājuma attēlus šīs rokasgrāmatas sākumā. Pareizu un pilnīgu uzstādīšanu skatiet produkta komplektācijā iekļautajā īpašajā instalācijas rokasgrāmatā. Vienmēr šīs instrukcijas uzglabāt kopā ar ierīci, pat tad, ja tā tiek pārvietota vai pārdota. Lietotājiem ir pilnībā jāpārzina ierīces ekspluatācijas un drošības pazīmes.

 Vadu pieslēgšanu drīkst veikt tehniķis ar atbilstošu specializāciju.

- Izgatavotājs neuzņemas atbildību par bojājumiem, kas radušies nepareizas uzstādīšanas rezultātā.
- Minimālais drošības

attālums starp plīts virsmu un nosūcēju ir: elektriskajai plītij 500 mm un gāzes plītij 650 mm.


- Ja gāzes plīts uzstādīšanas instrukcijās ir norādīts lielāks attālums, tad tas ir jāņem vērā.
- Pārbaudiet vai strāva mājas elektrotīklā atbilst tehnisko datu plāksnītē norādītajā, kas piestiprināta nosūcēja iekšpusē.
- Fiksētajā vadu instalācijā saskaņā ar elektromontāžas noteikumiem jāiekļauj atvienošanas ierīces.
- Klases ierīces gadījumā pārbaudiet, vai mājas elektrotīkls nodrošina pareizu zemējumu.
- Savienot izvadīšanas ierīci ar cauruli, kuras minimālais diametrs ir 120 mm. Dūmvada ceļam jābūt pēc iespējas īsākam.
- Izplūdes gāzes

maršrutam ir jābūt pēc iespējas īsākam. Nepievienojiet nosūcēju izplūdes cauruļvadiem, kas izvada sadegšanas atlikuma produktus (boileri, kamīni utt.).


- Ja izvadīšanas ierīce tiek izmantota kopā ar neelektriskām ierīcēm (piem., gāzes plītīm), telpā jānodrošina pietiekama ventilācija, lai nepieļautu izvadāmi gāzu plūšanu atpakaļ. Ja tvaika nosūcējs uzstādīts savienojumā ar neelektriskām ierīcēm, telpas negatīvais spiediens nedrīkst pārsniegt 0,04 mbar, lai nepieļautu garaiņu ieplūšanu atpakaļ telpā.
- Gaisu nedrīkst padot dūmvadā, ko lieto gāzes vai citu veidu kurināmā sadedzināšanas ierīču izplūdes gāzu izvadīšanai.
- Ja barošanas vads ir bojāts, tad tas ir jāaizstāj ar ražotāja vai tehniskās

apkalpošanas aģenta piegādātu barošanas vadu.

- Kontaktdakšu pieslēgt noteikumiem atbilstošā pieejamā vietā esošā kontaktligzdā.
- Lai nodrošinātu izplūdes gāzu izvadīšanas tehniskos un drošības pasākumus, jāievēro vietējo varas iestāžu pieņemtie noteikumi.

 **UZMANĪBU:** Pirms nosūcēja uzstādīšanas, noņemiet aizsargplēves.

- Tvaika nosūcēja atbalstam izmantot tikai skrūves un mazās sastāvdaļas.

 **UZMANĪBU:** Ja skrūvju vai stiprinājuma ierīces uzstādīšanā nav ievērotas šīs instrukcijas, tad var rasties elektriskās strāvas trieciena riski.

- Pievienojiet tvaika nosūcēju elektrotīklam ar divu polu slēdža

palīdzību, kam saskares atstarpe ir vismaz 3 mm.

- Neskatīties uz gaismu caur optiskajām ierīcēm (binokli, palielināmajiem stikliem...).
- Neuzstādīt zem tvaika nosūcēja gabarītiem; aizdegšanās risks.
- Šo ierīci lietot drīkst 8 gadus veci un vecāki bērni, kā arī personas ar ierobežotām fiziskām, sensoriskām vai garīgām spējām, vai personas, kam nav pieredzes un zināšanu, ja tām ir nodrošināta uzraudzība vai instrukcijas, kas saistītas ar drošu ierīces lietošanu un ietvertu bīstamības risku izpratni. Bērni nedrīkst spēlēties ar ierīci. Tīrīšanu un ierīces kopšanu nedrīkst veikt bērni, ja tie netiek uzraudzīti.
- Mazi bērni ir jāuzrauga, lai tie nespēlētos ar ierīci.
- Ierīci nav paredzēts lietot personām (ieskaitot

bērnus) ar ierobežotām psihiskām, fiziskām, uztveres vai prāta spējām, cilvēkiem bez pieredzes un zināšanām, izņemot tādus gadījumus, kuros par viņu drošību atbildīgā persona veic uzraudzību vai sniedz norādes par ierīces lietošanu.



Pieejamas detaļas var sakarst, ja tās lieto kopā ar ēdiena gatavošanas ierīcēm.

- Tīriet un/vai mainiet filtrus pēc noteikta laika perioda (aizdegšanās briesmas).
- Telpā ir pietiekama ventilācija, ja tiek izmantots tāda paša diapazona tvaika nosūcējs, dedzinot tādu pašu gāzes vai kurināmā veidu (nav piemērojama iekārtām, kas tikai ievada gaisu atpakaļ telpās)

Uzstādīšana

Uzstādīšanas režīmi

Tvaika nosūcējs izstrādāts uzstādīšanai un lietošanai kā "Izplūdes modelis" vai kā "Recirkulācijas modelis".

Izplūdes modelis (skatīt simbolu uzstādīšanas brošūrā)

Ēdiena gatavošanas tvaiks tiek nosūknēts un novadīts ārpus ēku caur izvades dūmvadu (netiek piegādāts), kas tiek uzstādīts tvaika nosūcēja izejā.

Nodrošināt, lai būtu pareizi uzstādīts izplūdes kanāls gaisa izvades iekārtai, izmantojot atbilstošu savienojuma sistēmu.

Recirkulācijas modelis (skatīt simbolu uzstādīšanas brošūrā)

Gaiss tiek filtrēts caur vienu vai vairākiem ogles filtriem, bet pēc tam atkārtoti novadīts atpakaļ telpā.

Svarīgi: Nodrošināt atbilstošu gaisa cirkulāciju gar tvaika nosūcēju.

Svarīgi: Ja tvaika nosūcējs tiek piegādāts bez ogles filtriem un ar jau uzstādītu recirkulācijas režīmu, tad tie ir jāuzstāda pirms tvaika nosūcēja lietošanas. Filtri ir pieejami veikalos.


Tvaika nosūcējs ir jāuzstāda tālu no īpaši netīrām vietām, logiem, durvīm un siltuma avotiem.

Piederumi nostiprināšanai pie sienas netiek piegādāti, jo sienu materiāli var būt dažādi, tādēļ ir nepieciešami dažādi nostiprināšanas piederumi. Lietot Jūsu mājas sienām un iekārtas svaram piemērotas nostiprināšanas sistēmas. Papildus informāciju var iegūt pie specializētiem izplatītājiem.

Uzglabāt šo brošūru turpmākai skatīšanai.


Vides aspekti

Sadzīves tehnikas utilizācija

- Simbols  uz produkta vai tā iepakojuma norāda, ka produktu nedrīkst izmest kopā ar parastajiem sadzīves atkritumiem. No produkta jāatbrīvojas specializētā elektrisko un elektronisko komponentu otrreizējās pārstrādes centrā. Pārlicinoties, ka šis produkts tiek likvidēts pareizi, jūs palīdzēsiet novērst iespējamās negatīvās sekas videi un veselībai, kas varētu rasties nepareizas utilizācijas rezultātā.

Lai iegūtu detalizētāku informāciju par šī produkta atkārtotu pārstrādi, lūdzu, sazinieties ar vietējo pašvaldību biroju, vietējo atkritumu savākšanas dienestu vai veikalu, kurā produkts tika iegādāts.

Iepakojuma materiālu utilizācija

Materiālus ar simbolu  var pārstrādāt. Izmetiet iepakojuma materiālus īpašās atkritumu savākšanas tvertnēs.

Uzturēšana un tīrīšana

Izmantošana

- Pirms jebkādu apkopes darbu veikšanas atslēdziet ierīci no elektrotīkla.
- Tvaika nosūcēja augšējā virsma nedrīkst tikt izmantota kā plaukts.
- Tvaika nosūcējs ir izstrādāts ekskluzīvi lietošanai mājāsaimniecībā, lai novērstu virtuves smakas.
- Nekad nelietot tvaika nosūcēju tādiem mērķiem, kādiem to nav paredzēts lietot.
- Nekad zem funkcionējoša tvaika nosūcēja neatstāt lielas atklātas liesmas.
- Noregulēt liesmas intensitāti tikai tieši zem pannas, pārlicinoties, ka liesma atrodas arī ārpus pannas malām.
- Dziļās tauku cepšanas ierīces lietošanas laikā ir nepārtraukti jānovēro: pārkaršeta eļļa var liesmās sadegt.

Uzturēšana un tīrīšana

- Tauku filtri jātīra ik pēc 2 darbības mēnešiem vai biežāk, ja nepieciešams īpaši smags lietojums, lai izvairītos no iespējamās ugunsbīstamības, un tos var mazgāt trauku mazgājamajā mašīnā.
- Nosūcēju tīriet ar mitru lupatiņu un neitrālu šķidru mazgāšanas līdzekli.

Ilgstošas ekspluatācijas ogles filtra (zaļš) uzturēšana un tīrīšana

- Filtru pret smakām var mazgāt un reģenerēt ik pēc 3-4 mēnešiem (vai biežāk, ja tvaika nosūcējs tiek lietots intensīvi), līdz maksimāli 8 reģenerācijas cikliem (ja nosūcējs tiek lietots intensīvi, tad ieteicams nepārsniegt 5 ciklus).

Reģenerācijas procedūra:

- Mazgāt trauku mazgājamajā mašīnā MAKSIMĀLI 70° temperatūrā vai rokām karstā ūdenī, nelietojot abrazīvus sūkļus (nelietot mazgāšanas līdzekļus!).
- Žāvēt 2 stundas krāsni MAKSIMĀLI 70° temperatūrā (ieteicams rūpīgi izlasīt savas iegādātās cepeškrāsns ekspluatācijas un montāžas instrukcijas).

Lampu nomaiņšana

Ja jānomaina lampas, vērsties Sankcionētā tehniskās apkalpošanas centrā.

Ražotājs

Ikea of Sweden AB - SE - 343 81 Älmhult, Zviedrija

Elektriskais savienojums

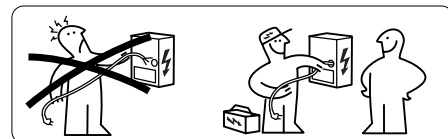


BRĪDINĀJUMS: Visi elektriskie savienojumi jāveic pilnvarotam uzstādītājam.

- Pirms savienojumu izveidošanas pārbaudiet, vai ierīces nominālais spriegums, kas norādīts attiecīgajā plāksnītē, atbilst barošanas spriegumam.

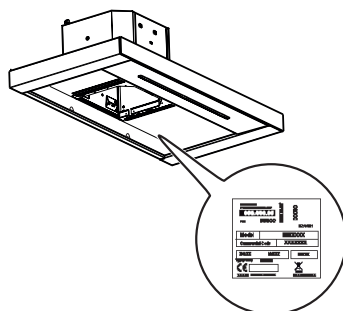


Uzmanību! Nemetiniet nevienu kabeli!



Tehnisko datu plāksnīte

Tehniskā informācija atrodas tehnisko datu plāksnītē ierīces iekšpusē.



IKEA GARANTĪJA

Cik ilgi spēkā ir IKEA garantija?

Šī garantija ir derīga piecus (5) gadus kopš iekārtas sākotnējā pirkšanas datuma IKEA. Kā pirkuma pierādījums nepieciešams pirkuma čeks. Ja garantijas ietvaros tiek veikti servisa darbi, ierīces garantijas periods netiek pagarināts.

Kas veiks servisu?

Servisu veiks IKEA servisa pārstāvis ar saviem spēkiem vai ar autorizētu partneru tīkla starpniecību.

Kas iekļauts šajā garantijā?

Garantija attiecas uz ierīces defektiem, kas radušies ražošanas vai materiālu brāķa rezultātā pēc iegādes no IKEA datuma. Šī garantija ir spēkā izstrādājuma lietošanai mājāsaimniecībā. Izņēmumi ir norādīti sadaļā "Kas nav iekļauts šajā garantijā?" Garantijas periodā tiek nosegtas defekta novēršanas izmaksas, t.i. remonta darbi, detaļas, darbs un ceļošana, pieņemot to, ka ierīce ir pieejama remontam bez speciāliem izdevumiem. Uz šiem nosacījumiem attiecas ES vadlīnijas (Nr. 99/44/EG) un attiecīgi vietējie noteikumi. Nomainītās detaļas kļūst par IKEA īpašumu.

Ko IKEA darīs, lai atrisinātu problēmu?

IKEA nozīmētais servisa pakalpojumu sniedzējs veiks produkta apskati un pēc saviem ieskatiem izlems, vai uz to attiecas garantija. Ja uz to attiecas garantija, IKEA servisa pakalpojumu sniedzējs vai autorizēts servisa partneris pēc saviem ieskatiem veiks bojātā produkta remontu vai nomainītu ar tādu pašu vai analogisku produktu.

Kas nav iekļauts šajā garantijā?

- Parasts nolietojums un nodilums.
- Apzināti vai nolaidības rezultātā radīti bojājumi, bojājumi, kas radušies neievērojot lietošanas instrukcijas prasības, nepareizas uzstādīšanas vai pieslēgšanas nepareizam spriegumam rezultātā, bojājumi, kas radušies ķīmiskas vai elektroķīmiskas reakcijas, rūsas, korozijas vai ūdens radītu bojājumu rezultātā, neaprobežojoties ar uzskaitījumu, bojājumi, ko radījis pārmērīgs kaļķa saturs ūdensvadā, kā arī nenormālu apkārtējās vides apstākļu radīti bojājumi.
- Izejmateriāli, ieskaitot baterijas un spuldzes.
- Nefunkcionālas un dekoratīvas detaļas, kas neietekmē normālu ierīces lietošanu, ieskaitot jebkādas skrāpējumus un iespējamas krāsu atšķirības.
- Nejauši bojājumi, ko radījuši svešķermeņi vai vielas, filtru tīrīšana vai atbrīvošana, noteces sistēmas vai ziepju atvilktnes.
- Šādu detaļu bojājumi: keramiskais stikls, piederumi, māla trauki un nažu turētāji, pavedes un noteces caurules, blīvējumi, spuldzes un spuldžu apvalki, aizslietņi, rokturi, apšuvums un apšuvuma detaļas. Izņemot gadījumus, kad ir apstiprināts, ka bojājumi radušies ražošanas brāķa rezultātā.
- Gadījumi, kad tehniķa vizītes laikā bojājumu nav iespējams konstatēt.
- Remonta darbi, ko nav veikuši mūsu apstiprinātie servisa pakalpojumu sniedzēji un/vai autorizēti servisa partneri, ar ko noslēgts līgums, vai ir izmantotas neoriģinālas rezerves daļas.

- Remonta darbi, kas veikti bojātas vai tehniskajiem parametriem neatbilstošas instalācijas radītu bojājumu gadījumā.
- Ierīces izmantošana ārpus mājsaimniecības, t.i. profesionāla izmantošana.
- Transportēšanas laikā radīti bojājumi. Ja produkta transportēšanu līdz mājām vai uz citu adresi veic klients, IKEA neuzņemas jebkādu atbildību par jebkādiem bojājumiem, kas var rasties transportēšanas laikā. Tomēr, ja produkta piegādi līdz klienta piegādes adresei veic IKEA, garantija būs spēkā attiecībā uz šīs piegādes laikā radītajiem bojājumiem.
- IKEA ierīces sākotnējās uzstādīšanas izmaksas. Tomēr, ja šīs garantijas ietvaros IKEA servisa pakalpojumu sniedzējs vai tā autorizēts servisa partneris veic ierīces remontu vai apmaiņu, servisa pakalpojumu sniedzējs vai tā autorizēts servisa partneris, ja nepieciešams, veiks atkārtotu remontētās vai apmainītās ierīces uzstādīšanu.

Šis ierobežojums neattiecas uz kvalificēta speciālista pareizi izpildītu darbu, kurā izmantotas mūsu oriģinālās rezerves daļas, ar kurām ierīce ir pielāgota citas ES valsts tehniskās drošības prasībām.

Kādā veidā attiecināma valsts likumdošana

IKEA Jums garantē Jūsu likumiskās tiesības, kas attiecas vai pārsniedz vietējās prasības. Tomēr šie nosacījumi nekādā veidā neierobežo vietējā likumdošanā aprakstītās patērētāju tiesības.

Derīguma teritorija

Ierīcēm, kuras iegādātas vienā ES valstī un kuras pārvietotas uz citu ES valsti, serviss normālas garantijas nosacījumu ietvaros tiks nodrošināts jaunajā valstī. Pienākums veikt servisu garantijas ietvaros ir spēkā tikai tad, ja ierīce atbilst un uz uzstādīta saskaņā ar:

- garantijas pieprasījuma izdarīšanas valstī spēkā esošajiem tehniskajiem parametriem;
- lietotāja instrukcijas drošības informāciju un montāžas instrukciju;

Speciālais IKEA ierīču pēcpārdošanas serviss:

Nekautrējieties sazināties ar IKEA pēcpārdošanas servisu, lai:

1. veiktu servisa pieprasījumu šīs garantijas ietvaros;
2. lūgtu skaidrojumus par IKEA ierīces uzstādīšanu speciālajās IKEA virtuves mēbeles. Ser-

- viss nesniedz skaidrojumus, kas saistīti ar:
 - vispārēju IKEA virtuvju uzstādīšanu;
 - elektrības pieslēgumiem (ja iekārta tiek piegādāta bez kontaktdakšas un vada), ūdens un gāzes pieslēgumiem, jo tie jāveic autorizētam servisa inženierim.
- 3. pieprasīt IKEA ierīces lietotāja instrukcijas saturu un tehnisko parametru skaidrojumus.

Lai nodrošinātu to, ka mēs Jums sniegsim vislabāko atbalstu, lūdzu, pirms sazināšanās ar mums, rūpīgi izlasiet Montāžas instrukciju un/ vai šīs brošūras Lietotāja instrukcijas sadaļu.

Kā ar mums sazināties, ja Jums nepieciešams mūsu serviss?



Lūdzu skatīt šīs brošūras pēdējo lapu attiecībā uz IKEA pilno apstiprināto kontaktu sarakstu, ko noteicis Autorizētais tehniskās apkalpošanas centrs, un atbilstošo nacionālo tālruna numuru.

Svarīgi! Lai Jums sniegtu pēc iespējas ātrāku servisu, mēs Jums iesakām izmantot speciālos tālrunu numurus, kas norādīti šīs instrukcijas beigās. Vienmēr izmantojiet šajā brošūrā norādītos tālrunu numurus, kas attiecas uz konkrēto ierīci, kurai jūs vēlaties saņemt atbalstu. Pirms zvanīt mums, pārliecinieties, ka Jūsu rīcībā ir IKEA artikula numurs (8 ciparu kods) ierīcei, kurai Jūs vēlaties saņemt atbalstu.



Svarīgi! SAGLABĀJIET PIRKUMA ČEKU!



Tas ir Jūsu pirkuma apstiprinājums, kas nepieciešams garantijas izmantošanai. Lūdzu, ņemiet vērā to, ka čekā katrai iegādātajai ierīcei ir norādīts arī IKEA artikula nosaukums un numurs (8 ciparu kods).

Vai Jums nepieciešama papildu palīdzība?

Visi jautājumi, kas nav saistīti ar Jūsu ierīču pēcpārdošanas servisu. Lūdzu, sazinieties ar tuvākā IKEA veikala zvanu centru. Mēs iesakām pirms sazināšanās ar mums izlasīt ierīces dokumentāciju.

Ohutusteave

-  Teie ohutuse ja seadme õige töö tagamiseks lugege käesolev käsiraamat enne paigaldamist ja kasutamist hoolikalt läbi. Vaadake hoolega läbi selle kasutusjuhendi alguses asuvad hoiatuspildid. Et paigaldada toode õigesti ja täielikult, järgige tootega kaasa pandud paigaldusjuhendi nõudeid. Hoidke need juhised alati seadme juures, isegi kui te seda liigutate või selle edasi müüte. Kasutajad peavad täielikult tundma seadme kasutamist ja selle ohutusfunktsioone.
-  Juhtme ühendamise peab teostama spetsialiseerunud tehnik.
- Tootja ei vastuta mingite kahjustuste eest, mille põhjuseks on ebaõige paigaldamine.
 - Minimaalne ohutu kaugus pliidi ülaosa ja õhupuhasti vahel on elektrilise pliidiplaadi korral 500 mm ja gaasipliidi korral 650 mm.
 - Kui gaasipliidi paigaldusjuhised määravad suurema vahemaa, tuleb sellest kinni pidada.
 - Veenduge, et vooluvõrgu pinge vastaks pliidikummi sisse kinnitatud andmeplaadil toodule.
 - Fikseeritud juhtmestik peab sisaldama lahti ühendamise meetmeid vastavalt elektritööde eeskirjadele.
 - I klassi seadmete puhul veenduge, et majapidamistoide garanteeriks adekvaatse maanduse.
 - Ühendage õhupuhasti tõmbelõõriga vähemalt 120 mm läbimõõduga toru abil. Tee lõõrini peab olema võimalikult lühike.

- Ärge ühendage pliidikummi põlemisaurusid (boilerid, kaminad jne) kandvate tõmbelõõridega.
 - Kui pliidikummi kasutatakse koos mitte-elektriliste seadmetega (nt gaasipliidid), tuleb heitgaaside tagasivoolamise vältimiseks tagada ruumis piisav õhuvahetus. Pliidikummi kasutamisel koos seadmetega, mille energiaallikaks ei ole elekter, ei tohi ruumi negatiivne rõhk ületada 0,04 mbar, et vältida aurude tagasi tõmbamist ruumi pliidikummi poolt.
 - Õhku ei tohi väljutada lõõri, mida kasutatakse gaasi või teisi kütuseid põletavate seadmete suitsu väljalaskena.
 - Kui toitekaabel on kahjustatud, tuleb see asendada tootjalt või selle hooldusesindajalt saadaval oleva kaabliga.
 - Ühendage pistik kehtivatele määrustele vastavasse ligipääsetavas kohas asuvasse pistikupessa.
 - Seoses suitsu väljutamiseks kasutusele võetavate tehniliste ja ohutusmeetmetega on tähtis täpselt järgida kohalike ametkondade väljastatud määrusi.
-  **HOIATUS:** Eemaldage enne pliidikummi paigaldamist kaitsekiled.
- Kasutage pliidikummi toetamiseks ainult kruvisid ja väikesi osi.
-  **HOIATUS:** Kruvide või kinnituseadme mitte vastavalt nendele juhiste paigaldamine võib põhjustada elektriohtusid.
- Ühendage õhupuhasti toitevõrguga vähemalt 3 mm kontaktivahega kahepooluselise lülitiga.
 - Ärge vaadake optiliste seadmete (binoklid,

suurendusklaasid...) abil otse valgusesse.

- Ärge pliidikummi all flambeerige – tuleoht.
- 8-aastased ja vanemad lapsed ning isikud, kellel on piiratud füüsilised, sensoorsed või vaimsed võimed või kellel puuduvad kogemused ja teadmised seadme kasutamise kohta, võivad seda seadet kasutada, kui neid jälgitakse või juhendatakse seadme ohutul kasutamisel ning nad mõistavad sellega seotud ohtusid. Lapsed ei tohi seadmega mängida. Puhastamist ja kasutajapoolset hooldust ei tohi teostada järelevalveta lapsed.
- Jälgige lapsi ja veenduge, et nad ei mängiks seadmega.
- Seade ei ole ette nähtud kasutamiseks isikute poolt (sh lapsed), kellel on vähenenud füüsilised või sensoorsed võimed või kellel puuduvad

kogemused ja teadmised masina kasutamiseks, v.a. juhul, kui nende üle teostatakse järelevalvet või neid juhendatakse



Ligipääsetavad osad võivad koos toiduvalmistus seadmetega kasutamisel kuumaks minna.

- Määratud perioodi möödumisel puhastage või vahetage filtrid (tuleoht).
- Pliidikummi kasutamisel samaaegselt gaasi või teisi kütuseid põletavate seadmetega peab olema tagatud ruumi piisav ventilatsioon (ei rakendu seadmetele, mis väljutavad õhu ainult tagasi ruumi)

Paigaldamine

Paigaldusrežiimid

Pliidikumm on loodud paigaldamiseks ja kasutamiseks kas „väljatõmbega mudelina“ või „retsirkulatsiooniga mudelina“.

Väljatõmbega mudel (vt sümbolit paigaldamisbrošüüris)

Toiduvalmistamise aurud imetakse sisse ja suunatakse pliidikummi auruväljundile paigaldatud väljutustoru (ei ole lisatud) kaudu majast välja.

Veenduge, et väljutustoru oleks sobiva ühendussüsteemi abil korralikult õhuväljundile paigaldatud.

Retsirkulatsiooniga mudel (vt sümbolit paigaldamisbrošüüris)

Õhk filtreeritakse läbi ühe või mitme aktiivsõefiltri ning saadetakse seejärel ruumi tagasi.

Tähtis: Tagage pliidikummi ümber sobiv õhuringlus.


Tähtis: Kui pliidikumm tarnitakse ilma aktiivsõefiltriteta ja paigaldatakse retsirkulatsiooni režiimis, ei tohi pliidikummi enne nende paigaldamist kasutada. Filtrid on saadaval poodides.

Pliidikumm tuleb paigaldada eemale eriti määrdunud aladest, akendest, uustest ja soojusallikatest.

Seinale kinnitamise tarvikud ei ole lisatud, kuna erinevatest materjalidest valmistatud seinad vajavad erinevat tüüpi kinnitustarvikuid. Kasutage oma kodu seintele ja seadme kaalule sobivaid kinnitussüsteeme. Üksikasjade asjus pöörduge vastava eriala müüja poole. Hoidke see brošüür edasiseks lugemiseks alles.

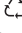
Keskkonda puudutav teave

Kodumasinat kasutuselt kõrvaldamine

- Tootel või selle pakendil olev sümbol  teavitab, et toodet ei tohi visata tavaliste olmejäätmete hulka. Toode tuleb viia spetsiaalsesse elektriliste ja elektrooniliste komponentide taaskasutuskeskusesse. Veendudes, et toode utiliseeritakse nõuetekohaselt, aitate ära hoida võimalikke negatiivseid tagajärgi keskkonnale ja tervisele, mis võivad tuleneda toote valest kõrvaldamisest.

Täpsema teabe saamiseks toote taaskasutamise kohta pöörduge kohaliku omavalitsuse poole, kohalikku jäätmekäitlusteenistusse või poodi, kust toode osteti.

Pakkematerjalide kõrvaldamine

Sümboliga  materjale saab taaskasutada. Visake pakkematerjalid spetsiaalsetesse taaskasutust võimaldatavatesse kogumiskonteineritesse.

Hooldus ja puhastamine

Kasutamine

- Enne hooldustööde teostamist lülitage seade välja või ühendage see võrgutoitest lahti.
- Pliidikummi ülemist külge ei tohi kasutada riulina.
- Pliidikumm on loodud eksklusiivselt koduseks kasutamiseks köögilõhnade eemaldamiseks.
- Ärge kasutage seda kunagi eesmärkidel, mille jaoks see mõeldud pole.
- Ärge jätke töötava pliidikummi alla kunagi kõrgeid avatud leeke.
- Reguleerige leekide tugevust nii, et need oleks suunatud ainult panni põhjale ega ei haaraks selle külgesid.
- Rasvas kuumutamisel tuleb seda pidevalt jälgida: ülekuumutatud õli võib põlema süttida.

Hooldus ja puhastamine

- Rasvafiltreid tuleb võimaliku tuleohtu vältimiseks puhastada iga kahe kuu järel või eriti intensiivse kasutamise korral sagedamini. Neid saab pesta nõudepesumasinas.
- Puhastage pliidikummi niiske lapi ja neutraalse vedela puhastusvahendiga.

Pika kasutusajaga söefiltri (roheline) hooldamine

- Lõhnafiltrit tuleb pesta ja regenererida iga 3–4 kuu järel (õhupuhasti intensiivse kasutamise korral sagedamini), maksimaalselt võib teha 8 regenererimistsükli (eriti intensiivse kasutamise korral on soovitatav mitte ületada 5 tsükli).

Regenererimise protseduur:

- Peske nõudepesumasinas max temperatuuril 70° või peske käsitsi kuumas vees ilma abrasiivseid švamme kasutamata (ärge kasutage puhastusvahendeid!)
- Kuivatage 2 tundi ahjus MAX temperatuuril 70° (soovitatav on hoolikalt lugeda ahju kasutusjuhendit ja kokkupanemisujuhiseid).

Pirnide vahetamine

Vahetamiseks võtke ühendust volitatud hoolduskeskusega.

Tootja

Ikea of Sweden AB, SE, 343 81 Älmhult, Rootsi

Elektriühendus

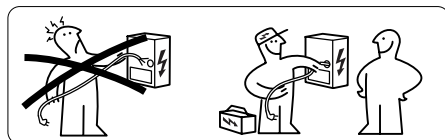


HOIATUS! Kõik elektriühendused peab tegema volitatud paigaldaja.

- Enne ühenduste tegemist kontrollige, kas vastaval andmesildil märgitud seadme nimipinge vastab toiteallika pingele.

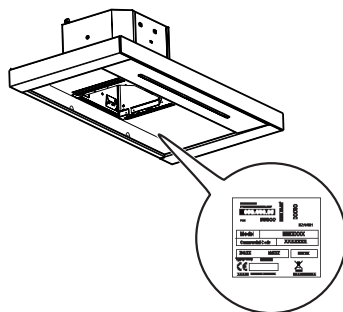


Hoiatus! Kaableid ei tohi keevitada!



Andmesilt

Tehniline teave on toodud seadme siseküljel asuval andmeplaadil.



IKEA GARANTII

Kui kaua IKEA garantii kehtib?

See garantii kehtib viis (5) aastat alates teie seadme esialgse IKEAst ostmise kuupäevast. Ostutõendina on nõutav ostutšeki originaal. Garantii alusel hooldustööde teostamine ei pikenda seadme garantiiäega.

Kes teenust teostab?

Teenust pakub IKEA teenusepakkuja läbi oma teenindusoperatsioonide või volitatud teeninduspartnerite võrgustiku.

Mida see garantii katab?

Garantii katab seadme rikked, mille põhjuseks on vigane konstruktsioon või materjali vead alates IKEAst ostmise kuupäevast. See garantii kehtib ainult kodusele kasutamisele. Erandid on toodud jaotises „Mida see garantii ei hõlma?“ Garantii perioodi jooksul kaetakse vea kõrvaldamise kulud, nt remont, varuosad, töö- ja sõidukulud, tingimusel, et seade on remondiks kättesaadav ilma eriliste kulutusteta. Nendel tingimustel rakenduvad EL juhised (nr 99/44/EÜ) ja vastavad kohalikud määrsused. Asendatud osad saavad IKEA omandiks.

Mida IKEA probleemi kõrvaldamiseks teeb?

IKEA määratud teenusepakkuja vaatab teie toote üle ja otsustab oma ainuäranägemisel, kas see kuulub garantiikatte alla. Kui see loetakse kaetuks, siis IKEA teenusepakkuja või selle volitatud teeninduspartner oma teenindusoperatsioonide kaudu ja oma ainuäranägemisel kas remondib defektse toote või asendab selle sama või samaväärsse tootega.

Mida see garantii ei kata?

- Normaalne kulumine.
- Sihilikud või hooletuse tõttu põhjustatud kahjustused, kasutusjuhiste eiramise, ebaõige paigaldamise või vale pingega ühendamise tõttu põhjustatud kahjustused, keemiliste või elektrokeemiliste reaktsioonide põhjustatud kahjustused, rooste, korrosioon või veekahjustused, sealhulgas, kuid mitte ainult, kahjustused veetarne liigse lubjasisalduse tõttu, ebatavaliste keskkonnatingimuste põhjustatud kahjustused.
- Kulumaterjalid, sealhulgas patareid ja elektripirnid.
- Mittefunktsionaalsed ja dekoratiivsed osad, mis ei mõjuta seadme tavapärasest kasutamisest, sealhulgas kõik kriimustused ja võimalikud värvuse erinevused.
- Juhuslikud kahjustused, mille põhjuseks on võõrkehad või -ained ning filtreid, äravoolüsteemide või seebisahitlite puhastamine või nende ummistuste eemaldamine.
- Järgmiste osade kahjustused: keraamiline klaas, tarvikud, nõude ja söögiriistade sahtlid, toite- ja äravoolutorud, tihendid, lambid ja lampide katted, ekraanid, nupud, korpused ja korpuste osad. Välja arvatud juhul, kui on võimalik tõestada, et nende kahjustuste põhjuseks olid tootmisvead.
- Juhtumid, kus tehnika külastuse käigus ei olnud võimalik riket tuvastada.
- Remondid, mis ei ole teostatud meie määratud teenusepakkuja ja/või volitatud

lepingulise teeninduspartneri poolt või kus kasutati mitte-originaalosasid.

- Remondid, mille põhjuseks on vigane või spetsifikatsioonidele mitte vastav elektrisüsteem.
- Seadme kasutamine mittekoduses keskkonnas, st professionaalne kasutamine.
- Transpordikahjustused. Kui klient transpordib toote oma koju või muule aadressile, ei vastuta IKEA transpordi käigus tekkida võivate kahjustuste eest. Kui aga IKEA tarnib toote klienti tarneaadressile, siis toote selle tarnimise käigus tekkinud kahjustused on käesoleva garantii poolt kaetud.
- IKEA seadme esmakordse paigaldamise teostamise kulud. Kui aga IKEA teenusepakkuja või selle volitatud teeninduspartner remondib või asendab seadme käesoleva garantii tingimuste alusel, siis vajadusel paigaldab teenusepakkuja või selle volitatud teeninduspartner remonditud seadme uuesti või paigaldab asendusseadme.

See piirang ei kehti kvalifitseeritud spetsialisti poolt meie originaalosasid kasutades teostatud rikketa töödele seadme kohandamiseks mõne teise EL riigi tehnilise ohutuse spetsifikatsioonidele.

Kuidas riigi seadusandlus rakendub

IKEA garantii annab teile spetsiifilised juriidilised õigused, mis katavad või laiendavad kohalikke nõudeid. Siiski ei piira need tingimused mingil viisil kohalikku seadusandluses kirjeldatud tarbija õigusi

Kehtivusala

Ühes EL riigis ostetud ja teise EL riiki viidud seadmete puhul pakutakse teenuseid uues riigis tavapärase garantiitingimuste raamistikus. Kohustus teostada teenuseid garantii raamistikus eksisteerib ainult juhul, kui seade vastab ja on paigaldatud vastavalt järgmisele:

- tehnilised spetsifikatsioonid riigis, kus garantiinõue esitatakse;
- koostamisjuhised ja kasutusjuhendi ohutusteave;

IKEA seadmete pühendunud müügijärgne teenindus:

Palun ärge kõhelge võtta ühendust IKEA müügijärgse teenindusega, et:

1. esitada käesoleva garantii alusel teenindusnõue;
2. küsida selgitusi IKEA seadme paigaldamise kohta selleks mõeldud IKEA köögi-mööblisse. Teenindus ei paku selgitusi seoses:
 - IKEA köögi üldise paigaldamisega;
 - elektri (kui masin tarnitakse ilma pistiku ja kaablit), vee ja gaasiga ühendamisega, kuna need tuleb teostada volitatud teenindusinseneri poolt.
3. küsida selgitusi kasutusjuhendi sisu ka IKEA seadme tehniliste andmete kohta. Et tagada meie poolt parima abi pakkumine, lugege enne meie poole pöördumist palun hoolikalt käesoleva brošüüri koostamisjuhiste ja/või kasutusjuhendi jaotist.

Kuidas teeninduse vajaduse korral meiega ühendust võtta



IKEA määratud kontaktid ja vastavad riiklikud telefoninumbriid leiate käesoleva käsiraamatu viimaselt leheküljelt.

Tähtis! Et saaksime pakkuda teile kiiremat teenust, soovime teil kasutada käesoleva käsiraamatu lõpus toodud spetsiifilisi telefoninumbreid. Vaadake alati numbreid spetsiifilise seadme, mille juures te abi vajate, brošüüris toodud numbreid. Veenduge enne meile helistamist, et teil on käepärast seadme, mille juures te abi vajate, IKEA artikli number (8-kohaline kood).

Tähtis! HOIDKE OSTUTŠEKK ALLES!

See on teie ostutõend ja nõutav garantii kehtimiseks. Pange tähele, et ostutšekil on toodud ka iga teie poolt ostetud seadme IKEA artikli nimi ja number (8-kohaline kood).


Kas vajate täiendavat abi?

Müügijärgse teeninduse või teie seadmetega mitte seotud täiendavate küsimuste puhul. Palun võtke ühendust lähima IKEA poe telefonikeskusega. Soovitame teil enne meie poole pöördumist hoolikalt lugeda seadme dokumentatsiooni.

معلومات بشأن السلامة

- ① من أجل سلامتكم الشخصية ومن أجل التشغيل الصحيح للجهاز، يرجى قراءة هذا الدليل بعناية قبل التركيب والتشغيل. اطلع بعناية إلى صور التحذير الواردة في بداية هذا الدليل. للتعرف على التركيب الصحيح والكامل، ارجع إلى دليل التركيب الخاص الوارد مع المنتج. احتفظ دائماً بهذه التعليمات مع الجهاز، حتى في حالة بيعه أو نقله إلى الغير. من المهم أن يعرف المستخدمون جميع مواصفات التشغيل والسلامة الخاصة بالجهاز.
- ⚠ يجب تنفيذ توصيل الكابلات بواسطة فني مختص
- لن يجوز اعتبار الشركة المصنعة مسئولة عن أية أضرار ناتجة عن التركيب أو الاستخدام غير الصحيح.
 - تبلغ أقل مسافة آمنة بين موقد الطهي والشفاف 500 مم بالنسبة لشفافات المطابخ الكهربائية و 650 مم لشفافات المطابخ التي تعمل بالغاز.
 - إذا نصت تعليمات تركيب موقد الطهي بالغاز على مسافة أكبر من تلك المذكورة أعلاه، فإنه من
- الضروري أخذها في الاعتبار. تحقق من أن جهد الشبكة الكهربائية يتوافق مع الجهد المشار إليه على لوحة البيانات المثبتة داخل الشفاط.
 - يجب تركيب أجهزة قطع في الشبكة الثابتة وفقاً للمعايير الخاصة بأنظمة توصيل الكابلات.
 - بالنسبة للأجهزة من الفئة الأولى، تحقق من أن شبكة التغذية المنزلية تمتلك توصيلاً أرضياً مناسباً.
 - قم بتوصيل الشفاط بالمدخنة بواسطة أنبوب بقطر لا يقل عن 120 مم. يجب أن يكون مسار الأدخنة أقصر مسار ممكن.
 - لا تقم بتوصيل الشفاط بالمداخن التي تنقل أدخنة احتراق (على سبيل المثال الغلايات ومداخن المدافئ، الخ).
 - إذا تم استخدام الشفاط مع أجهزة غير كهربائية (مثل الأجهزة العاملة بالغاز)، فإنه يجب ضمان درجة كافية من التهوية في المكان لمنع رجوع تدفق غازات العادم. عند استخدام

- أدوات التثبيت طبقاً لهذه التعليمات إلى مخاطر الصعقات الكهربائية.
 - قم بتوصيل الشفاط بشبكة التغذية الكهربائية عن طريق مفتاح ثنائي القطب يمتلك مسافة بين نقاط التلامس لا تقل عن 3 مم.
 - لا تراقب مباشرة باستخدام الأدوات البصرية (منظار، عدسة مكبرة...).
 - لا تقم بالطهي بطريقة فلامبيه تحت الشفاط؛ فقد ينشب حريق.
 - يجوز استخدام هذا الجهاز من قبل الأطفال الذين تقل أعمارهم عن 8 سنوات والأشخاص ذوي القدرات النفسية والجسدية والحسية المنخفضة أو الذين لا يتمتعون بخبرة ومعرفة كافيتين، طالما تم الإشراف عليهم بعناية وتدريبهم على كيفية استخدام الجهاز بطريقة آمنة وتعريفهم بالمخاطر التي ينطوي عليها الجهاز. تأكد من أن الأطفال لا يلعبون بالجهاز. يجب ألا يُنفذ الأطفال النظافة والصيانة التي يختص بها المستخدم، إلا إذا كانوا تحت مراقبة.
 - راقب الأطفال، حتى تتأكد من عدم لعبهم بالجهاز.
 - لا يجب استخدام هذا الجهاز من قبل الأشخاص (بمن فيهم
 - شفاط المطبخ مع أجهزة لا تتم تغذيتها بالتيار الكهربائي، يجب ألا يتجاوز الضغط السلبي في المكان 0,04 مللي بار لمنع إعادة سحب الأدخنة من الشفاط إلى المكان.
 - يجب عدم طرد الهواء عبر ماسورة تُستخدم لتصريف الأدخنة من أجهزة احتراق تعمل بالغاز أو بأنواع أخرى من الوقود.
 - يجب استبدال سلك الطاقة، في حالة تلفه، من قبل الشركة المصنعة أو من قبل فني خدمة الدعم الفني.
 - قم بتوصيل القابس بمقبس مطابق للمعايير السارية وفي موضع يمكن الوصول إليه.
 - بشأن الإجراءات الفنية وإجراءات السلامة اللازم تبنيها من أجل تصريف الأدخنة، من المهم الامتثال بدقة للوائح المحددة من قبل السلطات المحلية.
- ⚠ تحذير:** قبل تركيب الشفاط، أزل طبقة الحماية.
- لا تستخدم إلا المسامير وأدوات التوصيل من النوع المناسب للشفاط
- ⚠ تحذير:** يمكن أن يؤدي عدم تركيب المسامير أو

- الأطفال) ذوي القدرات النفسية والجسدية والحسية المنخفضة أو الذين لا يتمتعون بخبرة ومعرفة كافيتين، إلا إذا تم الإشراف عليهم بعناية وتدريبهم  قد تُصبح الأجزاء التي يمكن الوصول إليها ساخنة للغاية أثناء استخدام أجهزة الطهي.
- نظّف و/أو استبدل المرشحات بعد الفترة الزمنية المحددة (لتجنب خطر الحريق).
 - يجب توفير تهوية كافية في المكان عند استخدام الشفاط في نفس الوقت مع الأجهزة التي تستخدم الغاز أو أنواع الوقود الأخرى (لا يسري ذلك على الأجهزة التي تُصدر في المكان هواءً فقط)

التركيب

طرق الاستخدام

تم تصميم الشفط للتركيب والاستخدام في "إصدار الشفط" أو في "إصدار إعادة تدوير الهواء".



إصدار الشفط (انظر الرمز في تعليمات التركيب)

يتم شفط بخار الطهي ويُنقل إلى خارج المنزل عبر أنبوب الطرد (غير مرفق بالتوريد) والذي يتم تركيبه عند مخرج بخار الشفط. تأكد من تركيب أنبوب الطرد بشكل صحيح عند مخرج الهواء باستخدام نظام توصيل مناسب.

الإصدار المزود بإعادة تدوير الهواء (انظر الرمز



في تعليمات التركيب)

يتم ترشيح الهواء عبر مرشح أو أكثر ومن ثم يتم نقله مجدداً إلى المكان.


هام: تأكد من وجود تدوير صحيح للهواء حول الشفط.

هام: إن لم يكن الشفط مزوداً بمرشحات الكربون، يجب طلبها وتركيبها قبل استخدام الجهاز. المرشحات متوفرة في الأسواق.

يجب تركيب الشفط بعيداً عن المناطق المتسخة بشكل خاص والنوافذ والأبواب ومصادر الحرارة. لا يشمل التوريد ملحقات التثبيت على الحائط حيث أنها تختلف حسب مادة الحائط. استخدم أنظمة تثبيت مناسبة لحوائط منزلك ووزن الجهاز. للحصول على معلومات أكثر تفصيلاً اتصل بموزع متخصص. احفظ هذه التعليمات للإطلاع عليها في المستقبل.

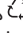
المظاهر البيئية

التخلص من الأجهزة الكهربائية المنزلية

- يشير الرمز  الموجود على المنتج أو على عبوته بأنه يجب عدم التخلص من المنتج مع النفايات المنزلية العادية. يجب التخلص من المنتج لدى مركز متخصص في إعادة تدوير المكونات الكهربائية والإلكترونية. من خلال التأكد من التخلص من هذا المنتج بشكل صحيح، فإنك ستساهم في الوقاية من العواقب السلبية المحتملة على البيئة والصحة والتي قد تنتج بسبب التخلص غير المناسب منه. لمزيد من المعلومات الأكثر تفصيلاً عن كيفية إعادة تدوير هذا المنتج، اتصل بسلطات البلدية أو بالخدمة المحلية

للتخلص من النفايات أو المحل الذي تم شراء المنتج منه.

التخلص من مواد التغليف

المواد التي تحمل الرمز  هي مواد قابلة لإعادة التدوير. التخلص من مواد التغليف في صناديق جمع النفايات المخصصة لإعادة التدوير.

النظافة والصيانة

الاستخدام

حالة الاستخدام المكثف بشكل خاص نوصي بعدم تجاوز 5 دورات).

إجراء التجديد:

- يُغسل في غسالة الأطباق على درجة حرارة 70° كحد أقصى أو يُغسل يدويًا بالماء الساخن دون استخدام قطع إسفنج كاشطة (لا تستخدم منظفات!).
- يُجفف في الفرن على درجة حرارة 70° كحد أقصى لمدة ساعتين (نوصي بقراءة دليل المستخدم بعناية وتعليمات تركيب الفرن الخاص بك).

استبدال المصباح

من أجل استبدالها، اتصل بمركز دعم فني معتمد.

- أطفئ الجهاز أو افصله عن شبكة التغذية الكهربائية قبل أية عملية صيانة.
- يجب عدم استخدام الشفط كسطح إسناد.
- الشفط مصمم حصريًا للاستخدام المنزلي بهدف إزالة الروائح من المطبخ.
- لا تستخدم أبدًا الشفط لأغراض مختلفة عن تلك التي صُمم من أجلها.
- لا تترك أبدًا السنة لهب عالية تحت الشفط عندما يكون قيد التشغيل.
- اضبط شدة اللهب بحيث يتم توجيهه حصريًا نحو قاع إناء الطهي، مع التأكد من أنه لا يلف الجوانب.
- يجب فحص المقالي باستمرار أثناء الاستخدام: فقد يؤدي التسخين المفرط للزيت إلى اشتعال النيران.

النظافة والصيانة

- يجب تنظيف مرشحات إزالة الدهون كل شهرين من التشغيل، أو بشكلٍ أكثر تكرارًا في حالة الاستخدام المكثف للغاية، من أجل تجنب خطر الحريق المحتمل ويمكن غسلها في غسالة الأطباق.
- نظف الشفط باستخدام قطعة قماش رطبة ومنظف سائل محايد.
- **نظافة وصيانة مرشح الكربون طويل الأجل (الأخضر)**
- يمكن غسل مرشح إزالة الروائح وتجديده كل 3-4 أشهر (أو بشكلٍ أكثر تكرارًا إن كان المرشح يخضع للاستخدام المكثف)، حتى 8 دورات من التجديد بحدٍ أقصى (في

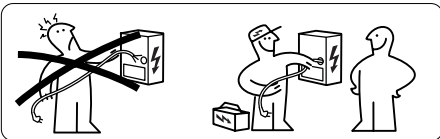
الشركة المنتجة

Ikea of Sweden AB - SE - 343 81 Älmhult، السويد

التوصيل الكهربائي

شبكة التغذية.

⚠ **تنبيه!** لا تقم بتنفيذ لحامات على الكابلات!



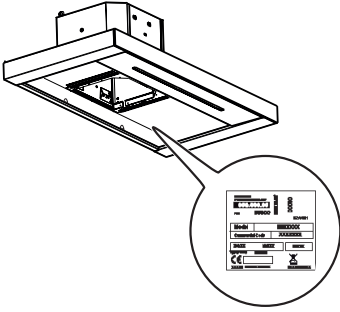
تحذير: يجب تنفيذ جميع التوصيلات الكهربائية من قبل فني تركيب معتمد.



- قبل تنفيذ التوصيلات، تحقق من أن الجهد الاسمي للجهاز المشار إليه في لوحة البيانات يتوافق مع جهد

لوحة البيانات

توجد المعلومات الفنية في الملصق الموجود على الجانب الداخلي من الجهاز.



ضمان IKEA

ما هي مدة سريان ضمان IKEA؟

يسري هذا الضمان لمدة خمس (5) سنوات من التاريخ الأصلي لشراء الجهاز من IKEA. يُعدّ الإيصال الأصلي ضروري كإيصال شراء. لا يؤدي الإصلاح المنفّذ في إطار الضمان إلى تمديد فترة الضمان الخاصة بالجهاز.

من يزود العملاء بالخدمة؟

سيتم ضمان خدمة العملاء من قبل مورد الخدمة المعين من Ikea من خلال مؤسستها أو شبكتها من شركاء الدعم الفني المعتمدين.

ماذا يغطي الضمان؟

يغطي الضمان أي عيوب مرتبطة بمواد وبنية الجهاز الكهربائي المنزلي ويسري اعتباراً من تاريخ شراء الجهاز الكهربائي المنزلي من متجر Ikea. لا يسري الضمان إلا على الأجهزة الكهربائية المنزلية المخصصة للاستخدام المنزلي. تُعرض الاستثناءات في بند "ماذا لا يغطي الضمان". خلال فترة سريان الضمان، سيتحمل مورد الخدمة المعين من Ikea تكاليف الإصلاح وقطع الغيار والعمالة ورحلات العمل لطاقتهم الصيانة، بشرط أن يتم إصلاح المنتج دون تكاليف مرتفعة جداً وأن يكون العيب المرتبط بالمواد أو بنية الجهاز يدخل ضمن تغطية الضمان. تتطابق هذه الشروط مع توجيهات الاتحاد الأوروبي (رقم CE/44/99) ومع المعايير والأحكام المحلية المطبقة. ستصبح الأجزاء المستبدلة ملكية خاصة بشركة IKEA.

كيف ستتدخل IKEA من أجل حل المشكلة؟

سيفحص مورد الخدمة المعين من Ikea المنتج وسيقرر وفقاً لتقديره الخاص ما إذا كان المنتج يدخل ضمن تغطية الضمان. إذا كان الأمر كذلك، فسيقوم مورد الخدمة المعين من Ikea أو شريك الدعم الفني المعتمد وفقاً لتقديره الخاص إما بإصلاح المنتج المعيب أو استبداله بمنتج مماثل أو معادل.

ماذا لا يغطي الضمان

- التآكل القادي.
- الأضرار الناشئة عن عمد أو بسبب الإهمال والأضرار الناشئة عن عدم الالتزام بتعليمات التشغيل، أو عن التركيب غير الصحيح أو عن التوصيل بجهد كهربائي خاطئ، الأضرار الناشئة عن التفاتلات الكيميائية أو الكهروكيميائية، الصدأ، جودة الماء (على سبيل المثال وجود الكلس المفرط في أنابيب الماء)، الأحداث الجوية أو الظروف

البيئية غير الطبيعية.

- الأجزاء الخاضعة للتآكل، على سبيل المثال البطاريات واللمبات.
- الأضرار اللاحقة بالأجزاء الزخرفية وغير الوظيفية التي لا تؤثر على الاستخدام العادي للجهاز، مثل الخدوش وتغيرات اللون.
- الأضرار اللاحقة بأجزاء مثل السيراميك الزجاجي، الملحقات، سلال الأواني وأدوات المائدة، أنابيب التغذية والصرف، الحشوات، اللمبات والأغطية الخاصة بها، الشاشات، المقابض، البطانات وأجزاء البطانات أو الأغلفة، إلا
- الأضرار اللاحقة بأجزاء مثل السيراميك الزجاجي، الملحقات، سلال الأواني وأدوات المائدة، أنابيب التغذية والصرف، الحشوات، اللمبات والأغطية الخاصة بها، الشاشات، المقابض، البطانات وأجزاء البطانات أو الأغلفة، إلا في حالة التمكن من إثبات أن هذه الأضرار قد نتجت عن عيوب في الإنتاج.
- الحالات التي لا يتم اكتشاف العيوب بها أثناء زيارة الفني.
- الإصلاحات غير المنفّذة من قبل مورد الخدمة المعين من Ikea أو شريك الدعم الفني المعتمد أو الإصلاحات التي تم فيها استخدام قطع غيار غير أصلية.
- الإصلاحات الناتجة عن التركيب غير الصحيح أو غير المطابق للمواصفات.
- استخدام الجهاز الكهربائي المنزلي في بيئة غير منزلية، على سبيل المثال للاستخدام المهني أو التجاري.
- الأضرار الناتجة عن النقل، في حالة النقل بالمنفذ بواسطة العميل إلى منزله أو عنوان آخر، لن يجوز اعتبار Ikea مسؤولة عن أية أضرار حدثت أثناء النقل. ومع ذلك، إذا تم النقل إلى عنوان العميل بواسطة Ikea، فستدخل الأضرار المحتملة الناتجة عن النقل في هذا الضمان.
- تكلفة التركيب الأولي لجهاز IKEA. إذا قام مورد الخدمة المعين من Ikea أو شريك الدعم الفني المعتمد بإصلاح أو استبدال جهاز بموجب الضمان، سيتعين على المورد أو شريك الدعم الفني أيضاً إعادة تركيب الجهاز الذي تم إصلاحه أو تركيب الجهاز

الكهربائي المنزلي Ikea الذي اشتريته.

هل تحتاجون إلى المزيد من المساعدة؟

لمزيد من الاستفسارات غير المتعلقة بخدمة الدعم الفني على الأجهزة، يرجى الاتصال بأقرب متجر Ikea. يرجى قراءة وثائق الجهاز بعناية قبل الاتصال بنا.

البديل، إذا لزم الأمر.

لا تنطبق هذه القيود على الأعمال المنفذة حسب الأصول من قبل طاقم عمل مؤهل وباستخدام قطع أصلية لتكثيف الجهاز الكهربائي المنزلي مع معايير السلامة الخاصة ببلد آخر في الاتحاد الأوروبي.

إمكانية تطبيق القوانين الوطنية

يمنح ضمان IKEA للعميل حقوقاً قانونية نوعية بالإضافة إلى الحقوق المنصوص عليها بموجب القانون والتي تختلف حسب البلدان.

منطقة السريان

بالنسبة للأجهزة الكهربائية المنزلية التي تم شراؤها في إحدى دول الاتحاد الأوروبي والمنقولة إلى دولة أخرى في الاتحاد الأوروبي، سيتم توريد الخدمات بناءً على شروط الضمان المطبقة في الدولة الجديدة. نلتزم بتقديم الخدمة بموجب شروط الضمان فقط إذا:

- توافق الجهاز مع المواصفات الفنية للبلد المطلوب فيه تطبيق الضمان؛
- الجهاز الكهربائي المنزلي مطابق ومُرَّجَّب وفقاً لتعليمات التركيب ومعلومات السلامة الواردة في دليل المستخدم؛

خدمة الدعم الفني المخصصة للأجهزة الكهربائية المنزلية من

IKEA:

لا تتردد في الاتصال بخدمة الدعم الفني في IKEA من أجل:

1. الاستفادة من الضمان؛
2. طلب إيضاحات بشأن تركيب الأجهزة الكهربائية المنزلية IKEA غاطسة في قطع الأثاث نوعية من IKEA. لن تقدم الخدمة الدعم الفني أو إيضاحات بشأن:
 - تركيب المطابخ الكاملة من IKEA؛
 - التوصيلات الكهربائية (في حالة توريد الجهاز بدون كابلات وقوابس)، التوصيلات الهيدروليكية والتوصيلات بشبكة الغاز التي يجب أن يتم تنفيذها من قبل فني الخدمة المعتمد.
3. طلب إيضاحات بشأن محتوى دليل الاستخدام وبشأن مواصفات الجهاز الكهربائية المنزلي Ikea. حتى نضمن لكم أفضل دعم فني، يرجى قراءة تعليمات التركيب و/أو دليل الاستخدام بعناية قبل الاتصال بنا.

كيف تتواصل معنا في حالة الحاجة إلى تدخلنا



اطلع على القائمة الكاملة لموردي خدمة Ikea وأرقام الهواتف الخاصة بهم في الصفحة الأخيرة من هذا الدليل.

هام حتى نضمن لكم خدمة أسرع، نوصي باستخدام أرقام الهواتف المدرجة في نهاية هذا الدليل. عند طلب الدعم الفني، راجع دائماً الأكواد النوعية للجهاز الكهربائي المنزلي الموجودة في هذا الدليل. قبل الاتصال بنا، تأكد من أن كود منتج Ikea من متناول يديك (8 أرقام) الخاص بالجهاز الكهربائي المنزلي الذي تطلب الدعم الفني بشأنه.

هام احتفظ بالإيصال!

إنه دليل الشراء الخاص بكم ويجب إظهاره للتمكن من الاستفادة من الضمان. يوجد على الإيصال أيضاً اسم وكود (من 8 أرقام) الجهاز

| Country name in local languages | Telephone number | Opening times |
|---|--|------------------------------------|
| Australia | Victoria: (03) 8523 2154 New South Wales: (02) 5020 6641 Queensland: (07) 3380 6800 IKEA Perth: (08) 9201 4532 IKEA Adelaide: (08) 8154 4532 | |
| Österreich | 13602771461 | Mo-Fr: 8 - 20 |
| België / Belgique | 26200311 | Ma-Vr: 8 - 20 / Lun-Ven: 8 - 20 |
| България | 02 4003536 | Пон-Пт: 8 - 20 |
| Canarias | 913754126 | Lunes-Viernes: 8 - 20 |
| Κύπρος | http://www.ikea.com | 8 - 20 |
| Hrvatska | 0800 3636 | Pon-Pet: 8 - 20 |
| Česká republika | 225376400 | Po-Pá: 8 - 20 |
| Danmark | 70150909 | Man.-Fre.: 9 - 20 |
| Eesti | http://www.ikea.com | E-R: 8 - 20 |
| Suomi | 981710374 | Lu-Ve: 8 - 20 |
| France | 170480513 | Lun-Ven: 9 - 21 |
| Deutschland | 6929993602 | Mo-Fr: 8 - 20 |
| Great Britain | 2076601517 | Mon-Fri: 8 - 20 |
| Ελλάδα | 2109696497 | Δευ-Παρ: 8 - 20 |
| Magyarország | (06-1)-3285308 | Hétfő-Péntek: 8 - 20 |
| Italia | +39 02/38591334 | Lun-Ven: 8 - 20 |
| Ireland | 2076601517 | Mon-Fri: 8 - 20 |
| Ísland | 5852409 | Mánudagur-Föstudagur Kl.: 8 - 20 |
| Latvija | http://www.ikea.com | P. - Pk.: 8 - 20 |
| Lietuva | (0) 520 511 35 | Pirm.-Penkt.: 8 - 20 |
| Mayorca | 913754126 | Lunes-Viernes: 8 - 20 |
| Malta | +356 (0)25464000 | Mon-Fri: 8 - 20 |
| Norge | 23500112 | Man-Fre: 8 - 20 |
| Nederland | 050-7111267 / +31 507111267 | Ma-Vr: 8 - 20 |
| Polska | 225844203 | Poniedziałek-Piątek: 8 - 20 |
| Portugal | 213164011 | Seg.-Sex.: 9 - 21 |
| România | 021 2044888 | Luni-Vineri: 8 - 20 |
| Россия | 84957059426 | Пон-Пятн: 9 - 21 |
| Србија | 011 7 555 444 | Пон-Пет: 8 - 20 |
| Slovensko | (02) 50102658 | Pon-Pia: 8 - 20 |
| Slovenija | +386-1-8107781 | Ponedeljek-Petek: 8 - 20 |
| España | 913754126 | Lunes-Viernes: 8 - 20 |
| Sverige | 0775-700 500 | Mån-Fre: 8 - 20 |
| Schweiz / Suisse / Svizzera (Ticino) | 225675345 | 8 bis 20 Werktag / Lun-Ven: 8 - 20 |
| Türkiye | +90/262/644 65 95 | Pzt-Cuma: 8 - 20 |
| Україна | http://www.ikea.com | Понеділок-П'ятниця: 8 - 20 |
| Maroc / المغرب | +212 (5) 20100900 www.ikea.com | |

