

UPPFRISKANDE

en
de
fr
it
pt
es
gr
nl
da
no
fi
is
pl
tr
sk
cs
hu
bg
ro
hr
sr
sl
lt
lv
et

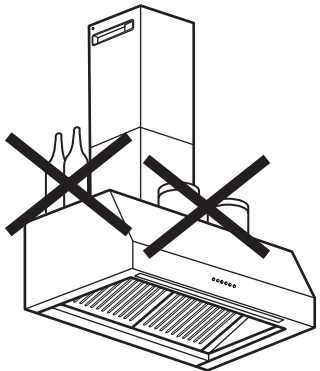
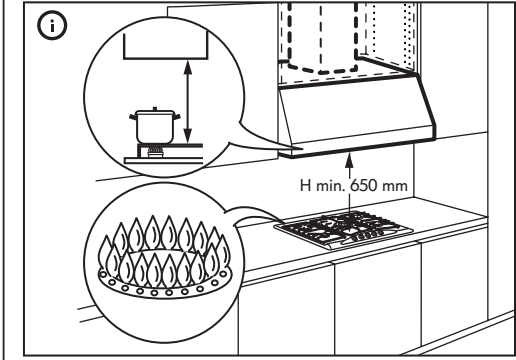
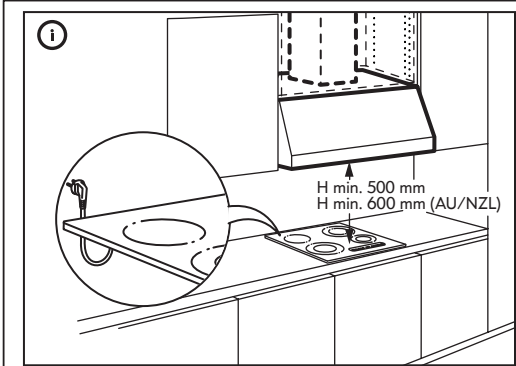


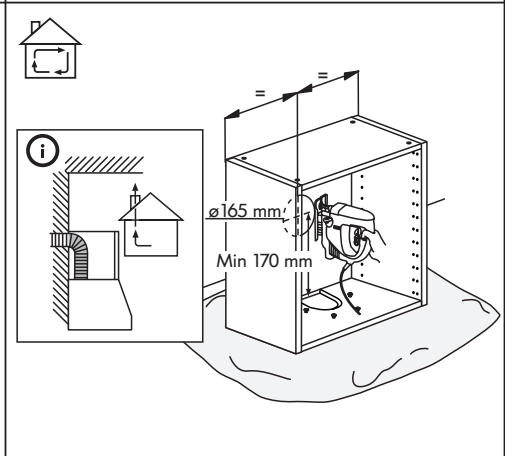
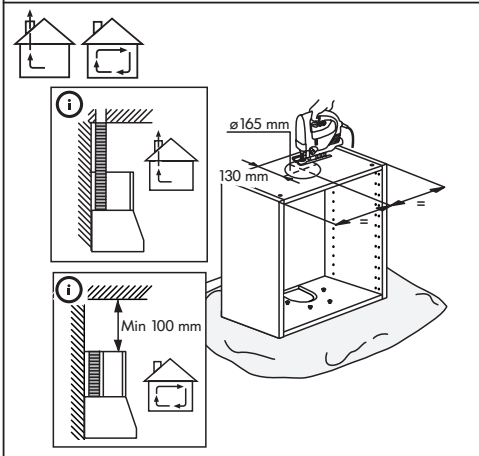
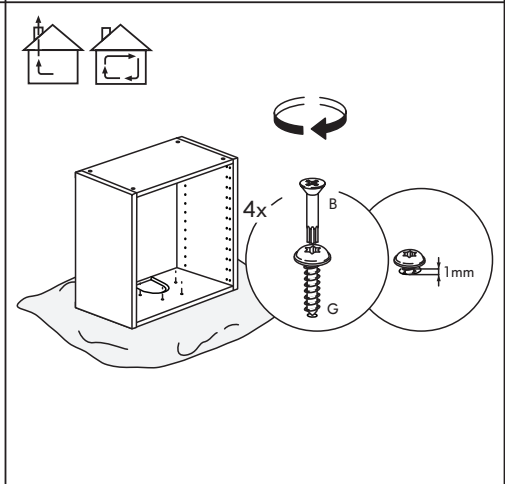
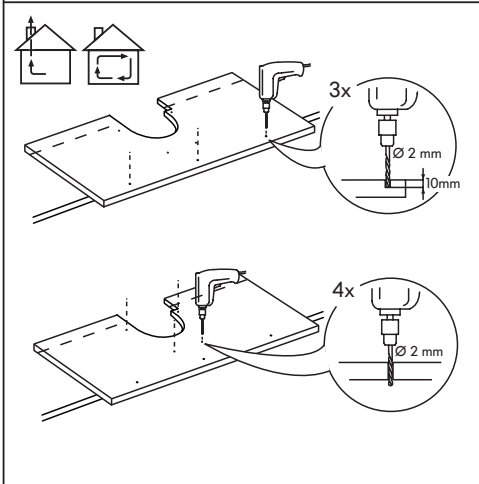
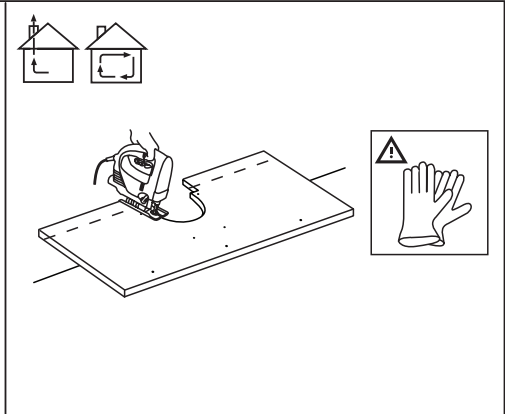
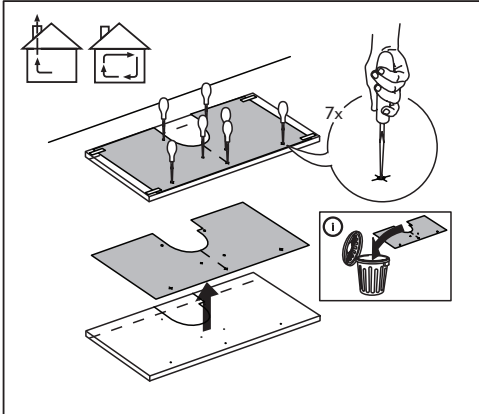
Design and Quality
IKEA of Sweden

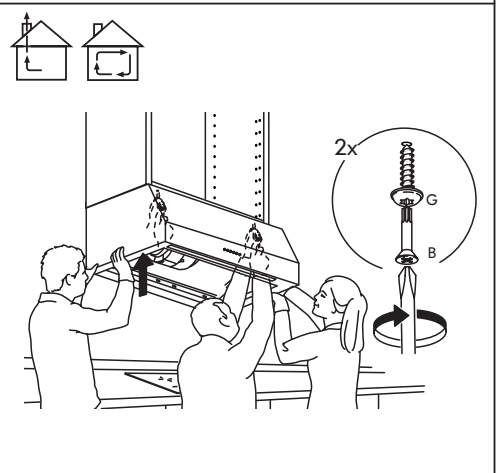
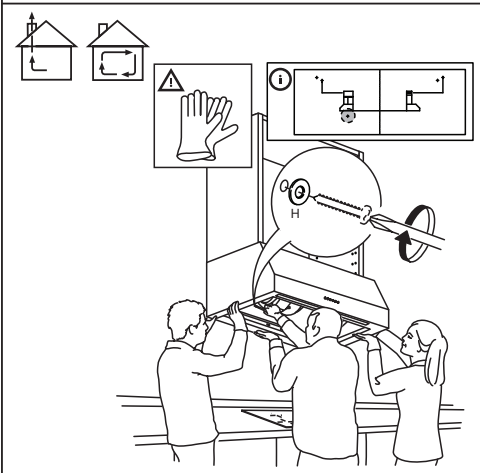
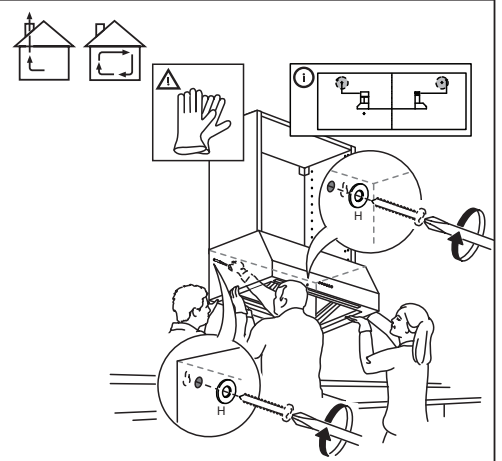
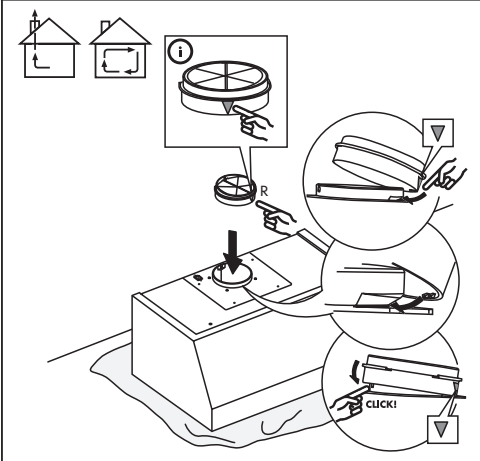
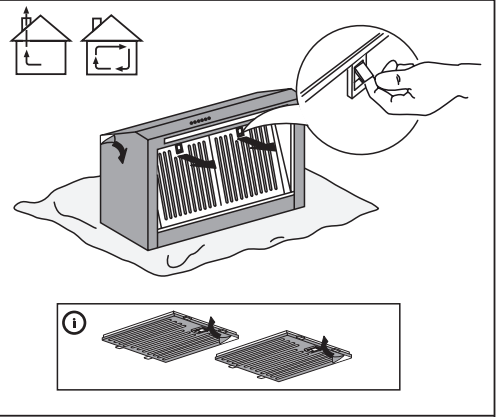
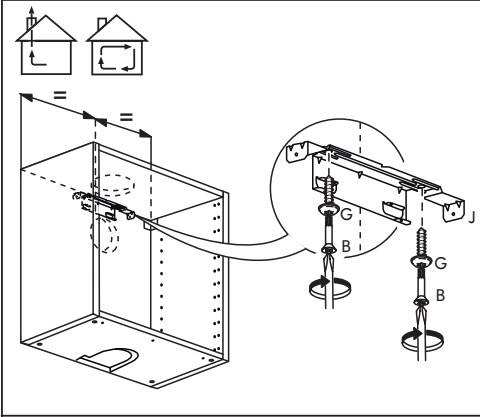


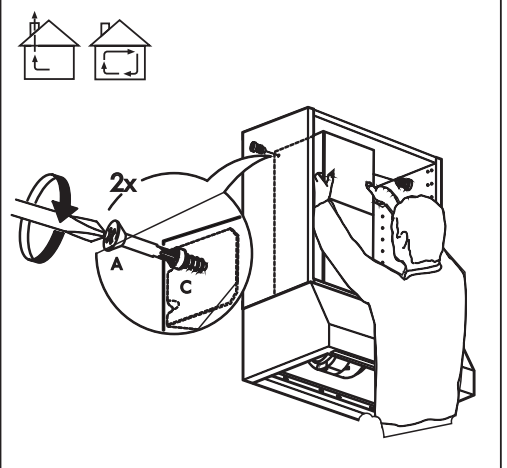
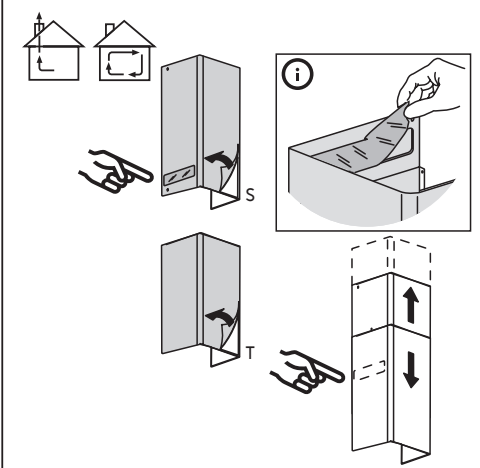
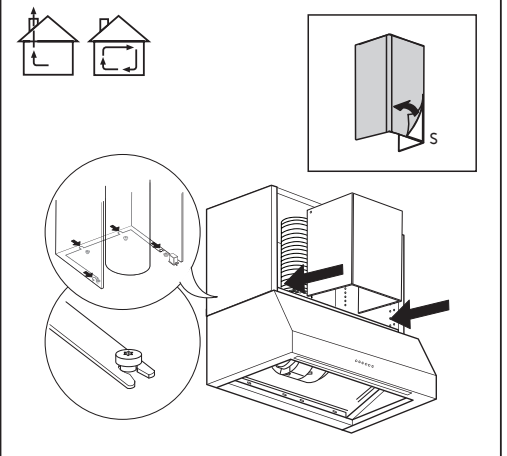
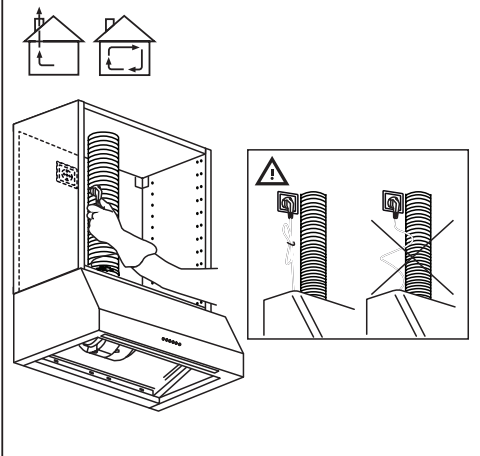
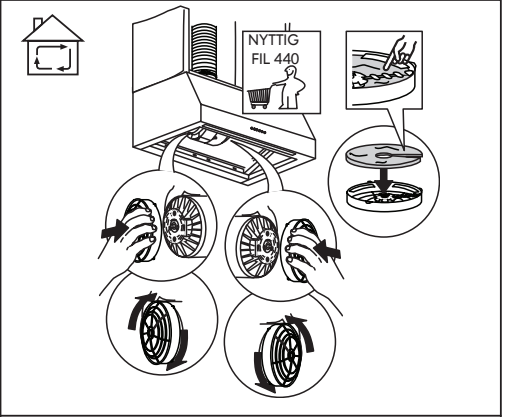
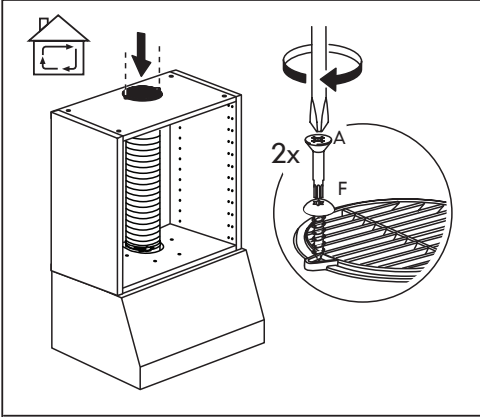
Parts list diagram showing icons for screws, washers, and filters with quantities and dimensions:

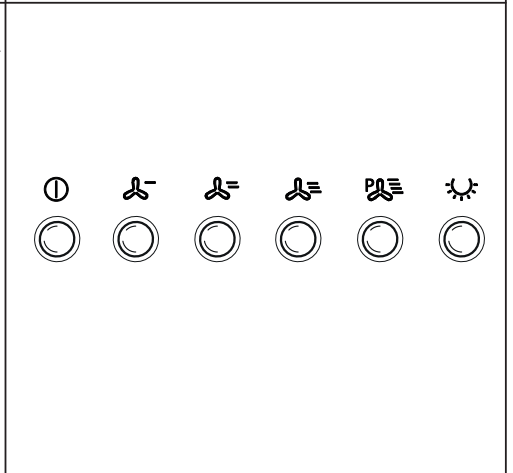
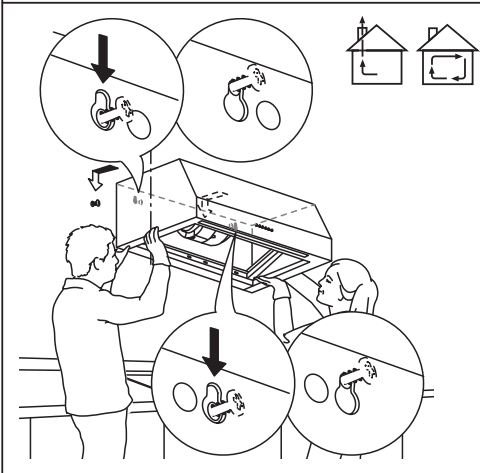
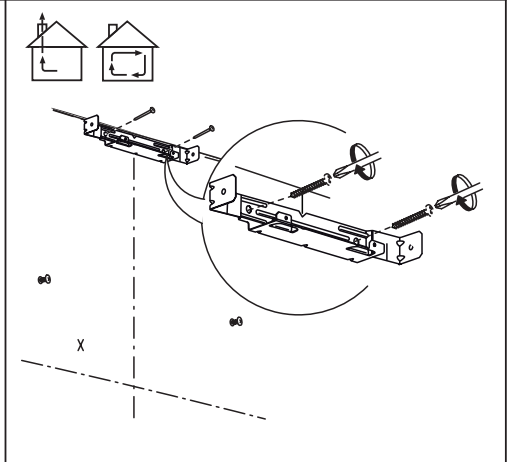
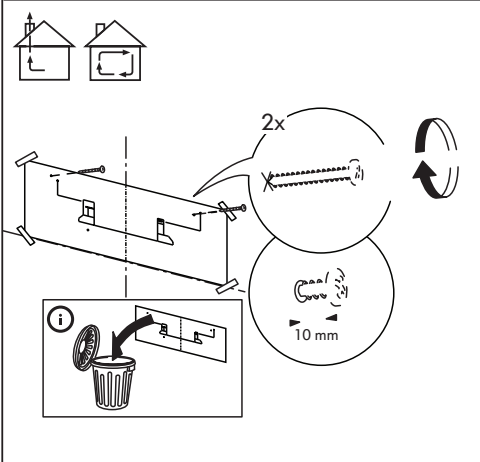
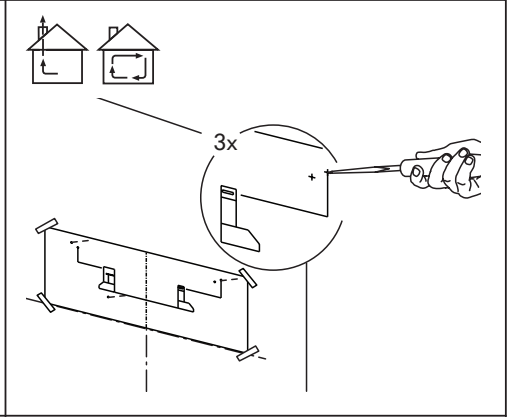
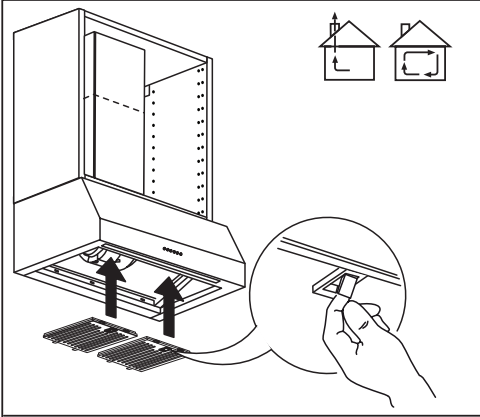
- 5x screws (Ø 5 mm)
- 1x washer (Ø 120/125/150 mm)
- 1x washer (Ø 150 mm)
- 2x filters (NYTTIG FIL 440)











ENGLISH	9
DEUTSCH	15
FRANÇAIS	23
ITALIANO	30
PORTUGUÊS	37
ESPAÑOL	44
ΕΛΛΗΝΙΚΑ	51
NEDERLANDS	59
DANSK	66
NORSK	72
SUOMI	78
ÍSLENSKA	84
POLSKI	90
TÜRKÇE	97
SLOVENSKY	104
ČESKY	111
MAGYAR	117
БЪЛГАРСКИ	124
ROMÂNĂ	132
HRVATSKI	139
SRPSKI	145
SLOVENŠČINA	151
LIETUVIŲ K.	157
LATVISKI	163
EESTI	169

Safety instructions

i Before the first use

For your own safety and for the correct operation of the appliance, please read this manual carefully before installation and commissioning. Look at the warning pictures at the beginning of this manual carefully. For correct and complete installation, refer to the specific installation manual supplied with the product.

Always keep these instructions with the appliance, even if it is transferred to a third party. It is important for the users to be familiar with all the operating and safety features of the appliance.


! The danger symbol, relating to safety, which warns of potential risks for the user and for others.

All safety-related messages will be preceded by the danger symbol and by the following terms:

! **DANGER:** indicates a dangerous situation which, if not avoided, will result in serious injuries.


! **WARNING:** indicates a dangerous situation which, if not avoided, may result in serious injuries.

All safety warnings provide specific details concerning the possible danger, as well as instructions on how to reduce the risk of injuries, damage and electric shock resulting from using the appliance in an improper way. Follow these instructions carefully.

- Make sure that the appliance has not been damaged during transport
- Remove the cardboard protections and any protective film and stickers from the accessories.
- Installation operations and electrical connections must be carried out by a qualified technician, following the manufacturer's instructions and in accordance with local safety regulations. Do not repair or replace any part of the appliance unless specifically recommended in the user manual.
- The appliance must be disconnected from the electrical power supply before performing any installation operation.
- **!** **WARNING:** failure to install the screws or fastening elements indicated by the instructions may cause electrical hazards.
- By law, the appliance must be earthed. (Not possible for class II hoods identified by the symbol  on the serial number plate).
- Do not pull the power cable to unplug the appliance from the wall socket.
- When installation is complete, the electrical components must no longer be accessible by the user.
- Do not touch the appliance with wet or damp body parts and do not use it barefoot.
- This appliance can be used by children over the age of 8 and by people with reduced physical, sensory or mental capabilities or with unsuitable experience and knowledge only if supervised and if they have received instructions on the safe use of the appliance and understand the risks involved. Children must be supervised to ensure they do not play with the device. Cleaning and routine maintenance must never be performed by children without adult supervision.
- All other maintenance operations must be carried out by a specialised technician.
- When drilling holes in the wall, take care not to damage electrical connections and/or pipes.
- The ventilation openings must always be directed towards the open air.
- The manufacturer shall not be held responsible for any damage caused by improper use or incorrect settings.
- Proper maintenance and cleaning ensure correct operation and the best performance of the appliance. Regularly remove all stubborn dirt from the surface

to avoid grease build-up. Remove and clean or change the filter regularly. To do this, follow the instructions given in the paragraph "Cleaning and Maintenance".

- Do not cook food over the flame ("flambé") under the appliance. The use of open flames may cause a fire.
- Failure to follow the instructions when cleaning the hood and when cleaning and replacing the filters may result in the risk of fire.
- The exhaust air must not be discharged through the same duct used to extract the fumes generated by appliances burning gas or other fuels, but it must have an independent outlet.
- All national regulations regarding exhaust air must be complied with.
- There must be adequate ventilation if the hood is used with other appliances burning gas or other fuels. The negative pressure of the room must not be above 4 Pa (4 x 10⁻⁵ bar). For this reason, make sure that the room is well ventilated. If in doubt, contact an authorised service centre or a qualified professional.
- Do not leave pans on the stove unattended while frying food, as the oil used for frying can catch fire.
- Before touching the light bulbs, make sure that they are cold.
- Do not use or leave the hood without the light bulb correctly installed, because it might cause an electric shock.
- The hood is not a worktop: do not place objects on it or overload it.
- For all installation and maintenance operations, always use suitable work gloves.
- The appliance is not suitable for outdoor use.

 **WARNING:** when the hob is on, the accessible parts of the hood may become hot.

 **WARNING:** this appliance is heavy; the hood must be lifted and installed by two or more people only. The minimum distance between the hob and the lower part of the hood must not be less than 65 cm for hobs with gas or other fuel burners and 50 cm for electric cookers. Before installing, also check the minimum distances indicated in the hob manual. If the hob installation instructions indicate a greater distance, it must be taken into account.

Installation

The hood is designed to be installed and used in "suction" or "recirculation" mode.

Suction version in the installation instructions

The steam produced while cooking is sucked in and conveyed outdoors through an exhaust pipe (not supplied) connected to the hood steam outlet.

Make sure that the exhaust pipe is installed correctly in the air outlet using a suitable connection system.

Important: if already installed, remove the carbon filter(s).

Air recirculation version

(see the symbol in the installation instructions)

The air is filtered through one or more filters and then conveyed back into the room.

Important: make sure that there is correct air circulation around the hood.

Important: if the hood is not supplied with carbon filters, they must be ordered and installed before using the appliance. The filters are available at IKEA stores.

The hood must be installed away from particularly dirty areas, windows, doors and heat sources.

The accessories for wall mounting are not included because walls made of different materials require different types of accessories. Use fastening systems suitable for the walls in your home and

appropriate for the weight of the appliance. For further details, contact a specialist dealer.

Keep these instructions for future reference.

Environmental protection advice


The packaging material

The packaging is 100% recyclable and it is

marked with the recycling symbol 

The different parts of the packaging must not be dispersed into the environment; they must be disposed of in accordance with the regulations set out by the local authorities.



The  symbol on the product or documentation provided indicates that this product must not be treated as domestic waste, but must be taken to a suitable waste collection site for the recycling of electrical and electronic appliances.

Cleaning and maintenance

WARNING

- Disconnect the hood from the electrical power supply
- Clean the surfaces using a damp cloth. If very dirty, add a few drops of dishwashing liquid to the water. Dry with a dry cloth.
- Do not use tools or other cleaning instruments.
- Avoid using steam jet cleaners

IMPORTANT: do not use corrosive or abrasive detergents. If one of these products were to accidentally come into contact with the appliance, clean it immediately with a damp cloth.

Use specific detergents to clean the appliance and follow the manufacturer's instructions.

Do not use abrasive sponges, scouring pads or metal scrapers. In the long run, they may damage the surface

IMPORTANT: clean the grease filters at least once a month to remove any oil or grease residues.

Washing the grease filter

The metal grease filter has an unlimited service life and must be washed once a month by hand or in the dishwasher at low temperatures on a short program.

If washed in the dishwasher, the grease filter may become slightly discoloured, but its filtering properties will not change.

Carbon filter maintenance.

The anti-odour filter must be washed and regenerated every 3-4 months (or more frequently if the hood is subjected to intensive use), up to a maximum of 8 regeneration cycles (in case of particularly intense use, it is advisable not to exceed 5 cycles).

Regeneration procedure

- Wash in the dishwasher at a maximum temperature of 70°C or by hand in warm water without using abrasive sponges (do not use detergents!)
- Dry in the oven at a maximum temperature of 70°C for 2 hours, or leave it to dry at room temperature, placing the filter in an upright position to facilitate water drainage.

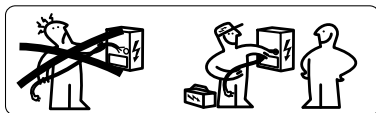
Light bulb maintenance

The hood is equipped with a LED lighting system.

LEDs provide optimal illumination, last up to 10 times longer than conventional lamps and save 90% of electricity.

To replace them, contact the Authorised Service Centre.

Electrical connection



⚠ WARNING: All electrical connections must be made by an authorised installer. Make sure that the voltage indicated on the product plate corresponds to the mains voltage.

This information is indicated inside the hood, beneath the grease filter.

⚠ WARNING: If the hood is equipped with a plug, connect the appliance to a wall socket that complies with current standards, located in an accessible area. The hood comes with a special power

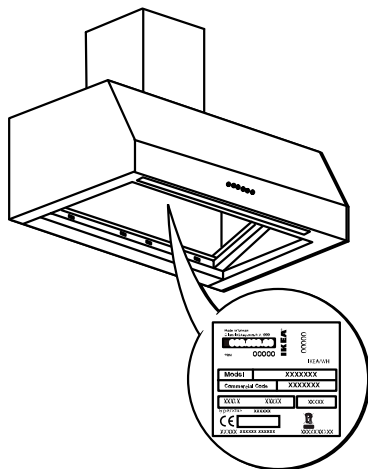
cable (type H05 VV-F); if it is damaged, ask the technical assistance service for a replacement.

If it is not equipped with a plug (direct connection to the mains), or if the nearest wall socket is not in an accessible area, install a standardised double-pole switch that provides complete isolation from the mains in the event of a category III overvoltage, in accordance with the wiring regulations.

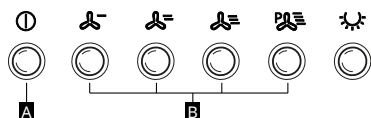
⚠ WARNING: Do not weld the cables!

Data Plate

The technical specifications are indicated on the plate on the inner side of the appliance



Control Panel



A Motor OFF button

B Motor ON button

IKEA WARRANTY

How long does the IKEA warranty last?

This warranty is valid for 5 years from the date of purchase/delivery of your appliance from an IKEA store. You will need to show your original receipt as proof of purchase. Any servicing carried out during the warranty period does not extend the warranty period.

Who provides the service?

The assistance service chosen and authorised by IKEA will provide the service through its network of authorised Service Partners.

What does this warranty cover?

The warranty covers any manufacturing defects (functional defects), from the date of purchase/delivery of the appliance. This warranty applies to domestic use only. Any exceptions are described under "What is not covered by the warranty?". During the warranty period, repair costs (spare parts, labour and travel costs of technicians) will be borne by the assistance service, provided that access to the equipment for repair work does not involve any special costs. These conditions are in accordance with EU directives (No. 99/44/EC) and local regulations. Any replaced components become the property of IKEA.

How will IKEA solve the problem?

The assistance service appointed by IKEA to carry out the intervention will examine the product and decide, at its sole discretion, whether it is covered by the warranty or not. The IKEA Assistance Service or its authorised Service Partner, through their respective Service Centres, at their sole discretion, will repair the defective product or replace it with an equal product or one of equivalent value.

What is not covered by the warranty?

- Normal wear and tear
- Damage caused deliberately, damage caused by failure to comply with the operating instructions, incorrect installation or by connecting to an incorrect

voltage. Damage caused by chemical or electro-chemical reactions, rust, corrosion or damage caused by water, including damage caused by the presence of excessive limescale in the water pipes. Damage caused by weather and natural events.

- Consumables, including batteries and light bulbs.
- Damage to non-functional and decorative parts that do not affect the normal use of the appliance, including scratches and colour differences.
- Accidental damage caused by foreign bodies or substances and damage caused by cleaning or eliminating clogging from filters, drainage systems or detergent trays.
- Damage to the following components: glass ceramic, accessories, baskets for cutlery and tableware, supply and drainage pipes, light bulbs and light bulb covers, grilles, knobs, coating and parts of coating. Unless it can be proved that such damage was caused by manufacturing errors.
- Cases in which functional defects are not found by the technician upon inspection.
- Repairs not performed by our authorised Assistance Service and/or by an authorised contractual Service Partner or if non-original spare parts are used.
- Repairs caused by incorrect installation or installation not in accordance with the specifications.
- Cases of improper use and/or non-domestic use of the appliance, e.g. professional use.
- Transport damage. If it is the customer who transports the product to his/her home or to another address, IKEA is not responsible for any damage that may occur during transport. On the other hand, if IKEA delivers the product to the

customer's address, any damage to the product during transport will be covered by IKEA.

- Costs relating to the first installation of the IKEA appliance. However, if an IKEA service provider or its authorised partner repairs or replaces the appliance within the terms of this warranty, the service provider or authorised partner will reinstall the repaired appliance or install the replacement appliance, if necessary. These restrictions do not apply to regular work carried out by qualified technicians with original spare parts to adapt the appliance to the technical safety regulations of another EU country.

Application of national laws

The customer is the owner of the rights provided for by the Italian Legislative Decree no.206/2005 and this 5 (five) year IKEA warranty does not affect these rights which meet or extend the minimum legal rights of each country in terms of warranty. These conditions do not, however, limit the customer's rights, as defined by local laws, in any way.

Area of validity

For appliances purchased in one EU country and taken to another EU country, the services will be provided according to the warranty conditions applicable in the new country. The obligation to provide the service based on the warranty conditions exists only if the appliance complies with and is installed according to:

- the technical specifications of the country in which the application of the warranty is required;
- the safety information contained in the Assembly Instructions and in the User Manual.

The dedicated ASSISTANCE service for IKEA appliances

Do not hesitate to contact the Authorised Service Centre appointed by IKEA to:

- request technical assistance during the warranty period

- request information on the operation of IKEA appliances.

To ensure you get the best assistance, please read the assembly instructions and/or the instruction manual of the product carefully before contacting us.

How to contact us if you need assistance



Please contact the IKEA Service Centre. You will find the phone number on the last page of this manual.

i In order to provide you with faster service, we suggest that you use the telephone numbers listed in this manual. Always refer to the numbers indicated in the manual of the appliance for which you require assistance. We advise you to always have available the IKEA code (8 digits) and the 12-digit code indicated on the label on your product.

i KEEP THE PURCHASE/DELIVERY DOCUMENT!

It is your proof of purchase and the warranty will not be valid without it. The receipt also features the name and the IKEA article number (8 digits) for each appliance purchased.

Need more help?


For any information not involving assistance, please refer to the Customer Service of your reference IKEA store. Please read the technical documentation provided with your appliance carefully before contacting us.

Sicherheitshinweise


Vor der ersten Verwendung


Zu Ihrer eigenen Sicherheit und für den korrekten Betrieb des Geräts lesen Sie bitte diese Anleitung vor der Installation und Inbetriebnahme sorgfältig durch. Sehen Sie sich die Warnbilder am Anfang dieses Handbuchs genau an. Für eine korrekte und vollständige Installation lesen Sie bitte die spezielle Installationsanleitung, die mit dem Produkt geliefert wird.

Bewahren Sie diese Anleitung immer bei dem Gerät auf, auch wenn es an Dritte weitergegeben oder übertragen wird. Es ist wichtig, dass die Benutzer mit allen Bedienungs- und Sicherheitsfunktionen des Geräts vertraut sind.

 Dies ist das Gefahrensymbol, das sich auf die Sicherheit bezieht und vor möglichen Risiken für den Benutzer und andere Personen warnt.

Allen sicherheitsrelevanten Meldungen werden das Gefahrensymbol und die folgenden Begriffe vorangestellt:

 **GEFAHR:** weist auf eine gefährliche Situation hin, die, wenn sie nicht vermieden wird, zu schweren Verletzungen führen wird.

 **WARNHINWEIS:** weist auf eine gefährliche Situation hin, die, wenn sie nicht vermieden wird, zu schweren Verletzungen führen kann.

Alle Sicherheitshinweise enthalten genaue Angaben zu den möglichen Gefahren sowie Ratschläge zur Verringerung des Risikos von Verletzungen, Schäden und Stromschlägen bei unsachgemäßer Verwendung des Geräts. Beachten Sie die folgenden Anweisungen sorgfältig.

- Überprüfen Sie das Gerät auf Transportschäden
- Entfernen Sie Kartonabdeckungen, Schutzfolien und Klebeetiketten vom Zubehör.

- Die Installation und der elektrische Anschluss müssen von einem qualifizierten Techniker in Übereinstimmung mit den Anweisungen des Herstellers und unter Einhaltung der örtlichen Sicherheitsvorschriften durchgeführt werden. reparieren oder ersetzen Sie keine Teile des Geräts, es sei denn, dies wird in der Bedienungsanleitung ausdrücklich empfohlen.
- Vor der Durchführung von Installationsarbeiten muss das Gerät von der Stromversorgung getrennt werden.
-  **WARNHINWEIS:** Wenn Sie die Schrauben oder Befestigungen nicht gemäß dieser Anleitung anbringen, kann dies zu elektrischen Gefahren führen.
- Die Erdung des Geräts ist gesetzlich vorgeschrieben. (Nicht möglich bei Hauben der Klasse II, die mit dem Symbol  auf dem Typenschild gekennzeichnet sind).
- Ziehen Sie nicht am Netzkabel des Geräts, um es von der Steckdose zu trennen.
- Nachdem die Installation abgeschlossen wurde, dürfen die elektrischen Komponenten für den Benutzer nicht zugänglich sein.
- Berühren Sie das Gerät nicht mit nassen Körperteilen und benutzen Sie es nicht barfuß.
- Dieses Gerät darf von Kindern über 8 Jahren und von Personen mit eingeschränkter körperlicher, sensorischer oder geistiger Fähigkeiten oder unzureichender Erfahrung und Kenntnis nur dann benutzt werden, wenn sie beaufsichtigt werden oder in die sichere Benutzung des Geräts eingewiesen wurden und die damit verbundenen Risiken verstehen. Kinder müssen beaufsichtigt werden, um sicherzustellen, dass sie nicht mit dem Gerät spielen. Die Reinigung und routinemäßige Wartung darf nicht von Kindern ohne Aufsicht von Erwachsenen durchgeführt werden.

- Alle anderen Wartungsarbeiten müssen von einem qualifizierten Techniker durchgeführt werden.
 - Achten Sie beim Bohren von Löchern in der Wand darauf, dass Sie die elektrischen Anschlüsse und/oder Rohrleitungen nicht beschädigen.
 - Die Lüftungsöffnungen müssen immer ins Freie führen.
 - Der Hersteller übernimmt keine Haftung für Schäden, die durch unsachgemäßen Gebrauch oder falsche Einstellungen entstehen.
 - Eine ordnungsgemäße Wartung und Reinigung sorgen dafür, dass das Gerät gut funktioniert und seine volle Leistung erbringt. Reinigen Sie regelmäßig alle hartnäckigen Verschmutzungen auf der Oberfläche, um Fettablagerungen zu vermeiden. Entfernen Sie den Filter regelmäßig und reinigen oder wechseln Sie ihn. Befolgen Sie dazu die Anweisungen unter "Reinigung und Pflege".
 - Kochen Sie keine Speisen mit einer Flamme ("flambieren") unter dem Gerät. Die Verwendung von offenem Feuer könnte einen Brand verursachen.
 - Die Nichtbeachtung der Anweisungen zur Reinigung der Haube sowie zum Austausch und zur Reinigung der Filter führt zu Brandgefahr.
 - Die Abluft darf nicht in einen Kanal geleitet werden, der für die Ableitung von Dämpfen verwendet wird, die von Gasgeräten oder anderen Brennstoffen erzeugt werden, sondern muss einen unabhängigen Auslass haben.
 - Alle nationalen Vorschriften zur Abluft müssen beachtet werden.
 - Wenn die Dunstabzugshaube zusammen mit anderen Geräten verwendet wird, die mit Gas oder anderen Brennstoffen betrieben werden, muss eine ausreichende Belüftung vorhanden sein. Der Unterdruck im Raum darf 4 Pa (4 x 10⁻⁵ bar) nicht überschreiten. Sorgen Sie deshalb dafür, dass der Raum gut belüftet ist. Wenden Sie sich im Zweifelsfall an ein autorisiertes Servicezentrum oder einen qualifizierten Fachmann.
 - Lassen Sie Pfannen beim Braten von Speisen nicht unbeaufsichtigt auf dem Herd stehen, da sich das zum Braten verwendete Öl entzünden kann.
 - Stellen Sie sicher, dass die Glühbirnen kalt sind, bevor Sie sie berühren.
 - Verwenden Sie die Abzugshaube nicht, wenn die Glühbirne nicht korrekt eingesetzt ist, da dies zu einem Stromschlag führen kann.
 - Die Abzugshaube ist keine Auflageplatte, stellen Sie also keine Gegenstände darauf ab und überladen Sie sie nicht.
 - Bei allen Vorgängen der Installation und Wartung geeignete Arbeitshandschuhe verwenden.
 - Das Gerät ist nicht für die Verwendung im Freien geeignet.
- ⚠ WARNINWEIS:** Wenn das Kochfeld in Betrieb ist, können zugängliche Teile der Abzugshaube heiß werden.
- ⚠ WARNINWEIS:** Dieses Gerät ist schwer; die Abzugshaube darf nur von zwei oder mehr Personen angehoben und installiert werden. Der Mindestabstand zwischen dem Kochfeld und dem unteren Teil der Dunstabzugshaube darf bei Kochfeldern mit Gas- oder anderen Brennstoffbrennern nicht kleiner sein als 65 cm und bei Elektroherden nicht kleiner als 50 cm. Überprüfen Sie vor der Installation auch die in der Bedienungsanleitung des Kochfeldes angegebenen Mindestabstände. Wenn in der Montageanleitung des Kochfeldes ein größerer Abstand angegeben ist, muss dieser Abstand eingehalten werden.

Installation

Die Abzugshaube ist so konzipiert, dass sie im „Abzug-“ oder „Umluftmodus“ installiert und verwendet werden kann.

Abzugsversion (siehe Symbol in der Installationsanleitung)

Der Kochdampf wird angesaugt und über einen Abluftschlauch (nicht im Lieferumfang enthalten), der an den Dampfauslass der Abzugshaube angeschlossen ist, nach draußen geleitet.

Vergewissern Sie sich, dass der Abluftschlauch mit einem geeigneten Anschlusssystem ordnungsgemäß im Luftauslass montiert ist.

Wichtig: Falls bereits installiert, entfernen Sie den/die Kohlefilter.

Umluftversion

(siehe Symbol in der Installationsanleitung)

Die Luft wird durch einen oder mehrere Filter gefiltert und dann zurück in den Raum geleitet.

Wichtig: Sorgen Sie für eine gute Luftzirkulation rund um die Abzugshaube.

Wichtig: Wenn die Abzugshaube nicht mit Kohlefiltern ausgestattet ist, müssen diese bestellt und eingebaut werden, bevor das Gerät in Betrieb genommen wird. Die Filter sind in IKEA Geschäften erhältlich.

Die Abzugshaube muss entfernt von besonders schmutzigen Bereichen, Fenstern, Türen und Wärmequellen aufgestellt werden.

Das Zubehör für die Wandmontage ist nicht im Lieferumfang enthalten, da Wände aus verschiedenen Materialien unterschiedliche Arten von Montagezubehör erfordern. Verwenden Sie Befestigungssysteme, die für die Wände Ihres Hauses und das Gewicht des Geräts geeignet sind. Für weitere Einzelheiten wenden Sie sich bitte an einen Fachhändler.

Bewahren Sie diese Anleitung zum späteren Nachschlagen auf.

Tipps zum Umweltschutz

Das Verpackungsmaterial

Die Verpackung ist zu 100% recycelbar und mit dem Recycling-Symbol gekennzeichnet



Die verschiedenen Teile der Verpackung sollten daher nicht in die Umwelt gelangen, sondern gemäß den von den örtlichen Behörden festgelegten Vorschriften entsorgt werden.




Das Symbol  auf dem Produkt bzw. auf den begleitenden Unterlagen bedeutet, dass dieses Produkt nicht wie ein Haushaltsabfall behandelt, sondern an der entsprechenden Sammelstelle zum Recycling von Elektro- und Elektronik-Altgeräten abgegeben werden muss.

**Für Deutschland geltende Errata:
Folgende Informationen zur Entsorgung ersetzen die Regelungen im Abschnitt**

„Umwelttips“ des User Manual- Benutzerinformationen mit Wirkung ab dem 01.01.2022


• Ihre Pflichten als Endnutzer



 Dieses Elektro- bzw. Elektronikgerät ist mit einer durchgestrichenen Abfalltonne auf Rädern gekennzeichnet. Das Gerät darf deshalb nur getrennt vom unsortierten Siedlungsabfall gesammelt und zurückgenommen werden, es darf also nicht in den Hausmüll gegeben werden. Das Gerät kann z. B. bei einer kommunalen Sammelstelle oder ggf. bei einem Vertreiber (siehe zu deren Rücknahmepflichten in Deutschland unten) abgegeben werden. Das gilt auch für alle Bauteile, Unterbaugruppen und Verbrauchsmaterialien des zu entsorgenden Altgeräts. Bevor das Altgerät entsorgt werden darf, müssen alle

Altbatterien und Altakkumulatoren vom Altgerät getrennt werden, die nicht vom Altgerät umschlossen sind. Das gleiche gilt für Lampen, die zerstörungsfrei aus dem Altgerät entnommen werden können. Der Endnutzer ist zudem selbst dafür verantwortlich, personenbezogene Daten auf dem Altgerät zu löschen.

• **Hinweise zum Recycling**

 Helfen Sie mit, alle Materialien zu recyceln, die mit diesem Symbol gekennzeichnet sind. Entsorgen Sie solche Materialien, insbesondere Verpackungen, nicht im Hausmüll sondern über die bereitgestellten Recyclingbehälter oder die entsprechenden örtlichen Sammelsysteme.

Recyceln Sie zum Umwelt- und Gesundheitsschutz elektrische und elektronische Geräte.

• **Rücknahmepflichten der Vertreiber**

Wer auf mindestens 400 m² Verkaufsfläche Elektro- und Elektronikgeräte vertreibt oder sonst geschäftlich an Endnutzer abgibt, ist verpflichtet, bei Abgabe eines neuen Geräts ein Altgerät des Endnutzers der gleichen Geräteart, das im Wesentlichen die gleichen Funktionen wie das neue Gerät erfüllt, am Ort der Abgabe oder in unmittelbarer Nähe hierzu unentgeltlich zurückzunehmen. Das gilt auch für Vertreiber von Lebensmitteln mit einer Gesamtverkaufsfläche von mindestens 800 m², die mehrmals im Kalenderjahr oder dauerhaft Elektro- und Elektronikgeräte anbieten und auf dem Markt bereitstellen. Solche Vertreiber

müssen zudem auf Verlangen des Endnutzers Altgeräte, die in keiner äußeren Abmessung größer als 25 cm sind (kleine Elektrogeräte), im Einzelhandelsgeschäft oder in unmittelbarer Nähe hierzu unentgeltlich zurückzunehmen; die Rücknahme darf in diesem Fall nicht an den Kauf eines Elektro- oder Elektronikgerätes geknüpft, kann aber auf drei Altgeräte pro Geräteart beschränkt werden.

Ort der Abgabe ist auch der private Haushalt, wenn das neue Elektro- oder Elektronikgerät dorthin geliefert wird; in diesem Fall ist die Abholung des Altgerätes für den Endnutzer kostenlos.

Die vorstehenden Pflichten gelten auch für den Vertrieb unter Verwendung von Fernkommunikationsmitteln, wenn die Vertreiber Lager- und Versandflächen für Elektro- und Elektronikgeräte bzw. Gesamtlager- und -versandflächen für Lebensmittel vorhalten, die den oben genannten Verkaufsflächen entsprechen. Die unentgeltliche Abholung von Elektro- und Elektronikgeräten ist dann aber auf Wärmeüberträger (z. B. Kühlschrank), Bildschirme, Monitore und Geräte, die Bildschirme mit einer Oberfläche von mehr als 100 cm² enthalten, und Geräte beschränkt, bei denen mindestens eine der äußeren Abmessungen mehr als 50 cm beträgt. Für alle übrigen Elektro- und Elektronikgeräte muss der Vertreiber geeignete Rückgabemöglichkeiten in zumutbarer Entfernung zum jeweiligen Endnutzer gewährleisten; das gilt auch für kleine Elektrogeräte (s.o.), die der Endnutzer zurückgeben will, ohne ein neues Gerät zu kaufen.

Reinigung und Wartung

WARNHINWEIS

- Trennen Sie die Abzugshaube vom Stromnetz
- Reinigen Sie die Oberflächen mit einem feuchten Tuch. Geben Sie bei starker Verschmutzung einige Tropfen Geschirrspülmittel ins Wasser. Trocknen Sie es mit einem trockenen Tuch ab.
- Verwenden Sie keine Werkzeuge oder andere Instrumente zur Reinigung.

- Vermeiden Sie die Verwendung von Dampfstrahlreinigern

WICHTIG: Verwenden Sie keine ätzenden oder scheuernden Reinigungsmittel. Sollte eines dieser Produkte versehentlich mit dem Gerät in Kontakt kommen, reinigen Sie es sofort mit einem feuchten Tuch.

Verwenden Sie zur Reinigung des Geräts spezielle Reinigungsmittel und befolgen Sie die Anweisungen des Herstellers.

Verwenden Sie keine scheuernden Schwämme, Scheuerschwämme oder Metallschaber. Auf lange Sicht können sie die Oberfläche beschädigen

WICHTIG: Reinigen Sie die Fettfilter mindestens einmal im Monat, um Öl- oder Fettrückstände zu entfernen.

Zum Waschen des Fettfilters

Der Metall-Fettfilter hat eine unbegrenzte Lebensdauer und muss einmal im Monat von Hand oder in der Spülmaschine bei niedrigen Temperaturen und einem kurzen Programm gereinigt werden.

Bei der Reinigung in der Spülmaschine kann sich der Fettfilter leicht verfärben, aber seine Filtereigenschaften ändern sich nicht.

Wartung des Kohlefilters.

Der Geruchsfilter muss alle 3-4 Monate gewaschen und regeneriert werden (oder häufiger, wenn die Haube intensiv genutzt wird), bis zu einem Maximum von 8 Regenerationszyklen (im Falle einer besonders intensiven Nutzung wird empfohlen, 5 Zyklen nicht zu überschreiten).

Verfahren zur Regeneration

- In der Spülmaschine bei maximal 70°C oder von Hand in heißem Wasser ohne Scheuerschwämme waschen (keine Reinigungsmittel verwenden!)
- Trocknen Sie den Filter 2 Stunden lang bei maximal 70°C im Ofen oder lassen Sie ihn bei Raumtemperatur trocknen. Stellen Sie den Filter dabei aufrecht hin, damit das Wasser besser ablaufen kann.

Wartung der Glühbirne

Die Haube ist mit einem LED-Beleuchtungssystem ausgestattet. LEDs sorgen für optimale Beleuchtung, halten bis zu 10 Mal länger als herkömmliche Glühbirnen und sparen bis zu 90% Strom.

Wenden Sie sich für den Austausch an Ihr autorisiertes Kundendienstzentrum.

Stromanschluss



⚠ WARNHINWEIS: Alle elektrischen Anschlüsse müssen von einem autorisierten Installateur vorgenommen werden. Überprüfen Sie, ob die auf dem Typenschild des Geräts angegebene Spannung mit der Netzspannung übereinstimmt.

Diese Informationen finden Sie auf der Innenseite der Motorhaube, unter dem Fettfilter.

⚠ WARNHINWEIS: Wenn die Dunstabzugshaube mit einem Stecker ausgestattet ist, schließen Sie das Gerät an

eine Steckdose an, die den geltenden Normen entspricht und sich in einem zugänglichen Bereich befindet. Die Abzugshaube ist mit einem speziellen Stromkabel (Typ H05 VV-F) ausgestattet; sollte es beschädigt sein, fordern Sie es beim technischen Kundendienst an.

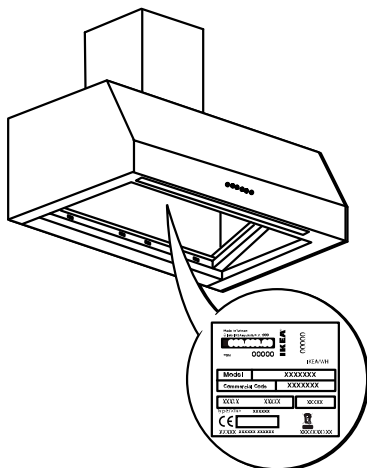
Wenn er nicht mit einem Stecker ausgestattet ist (direkte Verkabelung mit dem Stromnetz) oder wenn sich die Steckdose nicht in einem zugänglichen Bereich befindet, installieren Sie einen genormten zweipoligen Schalter, der im Falle einer Überspannung der Kategorie III

eine vollständige Isolierung vom Stromnetz gewährleistet, gemäß den Verdrahtungsvorschriften.

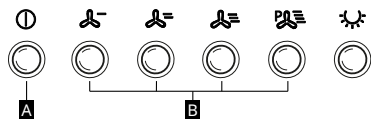
⚠ WARNHINWEIS: Löten Sie nicht an Kabeln!

Typenschild

Die technischen Daten finden Sie auf dem Typenschild auf der Innenseite des Geräts



Bedienfeld



- A** Taste OFF Motor
- B** Taste ON Motor

IKEA GARANTIE

Wie lange gilt die IKEA Garantie?

Diese Garantie gilt für 5 Jahre ab dem Datum des Kaufs/der Lieferung Ihres Geräts in einem IKEA Geschäft. Sie müssen den Originalbeleg als Kaufnachweis vorlegen. Während der Garantiezeit durchgeführte Wartungsarbeiten verlängern die Garantiezeit nicht.

Wer bietet den Service an?

Der von IKEA ausgewählte und autorisierte Kundendienst wird den Service über ihr Netzwerk von autorisierten Kundendienstpartnern durchführen.

Was deckt diese Garantie ab?

Die Garantie deckt Defekte am Gerät ab, die durch Herstellungsfehler (Funktionsfehler) verursacht wurden, und zwar ab dem Kaufdatum/Lieferdatum des Geräts. Diese Garantie gilt nur für den Hausgebrauch. Ausnahmen werden unter "Was ist nicht durch die Garantie abgedeckt?" beschrieben. Während der Garantiezeit werden die Reparaturkosten (Ersatzteile, Arbeit und Reisen des technischen Personals)

durch den Kundendienst übernommen, vorausgesetzt, dass der Zugang zum Gerät für Reparaturarbeiten keine besonderen Kosten verursacht. Diese Bedingungen

stehen im Einklang mit den EU-Richtlinien (Nr. 99/44/EG) und den lokalen Vorschriften. Ersetze Komponenten gehen in das Eigentum von IKEA über.

Wie wird IKEA das Problem lösen?

Der von IKEA mit der Durchführung des Service beauftragte Kundendienst untersucht das Produkt und entscheidet nach eigenem Ermessen, ob das Produkt unter die Garantie fällt. Der Kundendienst von IKEA oder der autorisierte Kundendienstpartnern wird nach eigenem Ermessen entweder das defekte Produkt reparieren oder es durch ein gleichwertiges Produkt ersetzen.

Was ist nicht durch die Garantie abgedeckt?

- Normale Abnutzung und Verschleiß
- Vorsätzlich herbeigeführte Schäden, Schäden durch Nichtbeachtung der Bedienungsanleitung, unsachgemäße Installation oder durch den Anschluss an eine falsche Spannung. Schäden durch chemische oder elektrochemische Reaktionen, Rost, Korrosion oder Wasserschäden, einschließlich Schäden durch übermäßige Kalkablagerungen in Wasserleitungen. Schäden, die durch Wetter- und Naturereignisse verursacht werden.
- Verbrauchsmaterial, einschließlich Batterien und Glühbirnen.
- Schäden an nicht funktionalen und dekorativen Teilen, welche die normale Nutzung des Geräts nicht beeinträchtigen, einschließlich Kratzer und Farbunterschiede.
- Unbeabsichtigte Schäden durch Fremdkörper oder Substanzen sowie Schäden, die durch die Reinigung oder Beseitigung von Verstopfungen in Filtern, Abflusssystemen oder Reinigungsmittelschubladen verursacht werden.
- Schäden an folgenden Komponenten: Glaskeramik, Zubehör, Besteck- und Geschirrkörbe, Zu- und Abflussrohre, Dichtungen, Glühbirnen und Glühbirnenabdeckungen, Gitter, Knöpfe, Verkleidungen und Teile der Verkleidung. Es sei

denn, es kann nachgewiesen werden, dass der Schaden durch Herstellungsfehler verursacht wurde.

- Fälle, in denen bei einem Besuch durch einen Techniker keine funktionellen Mängel festgestellt werden.
- Reparaturen, die nicht von unserer autorisierten Kundendienst und/oder einem autorisierten Kundendienstpartnern durchgeführt wurden, oder wenn Nicht-Original-Ersatzteile verwendet wurden.
- Reparaturen, die durch unsachgemäße Installation oder Nichteinhaltung der Spezifikationen verursacht wurden.
- Fälle von unsachgemäßer und/oder nicht häuslicher Verwendung des Geräts, z. B. bei gewerblicher Nutzung.
- Transportschäden. Wenn der Kunde das Produkt zu sich nach Hause oder an eine andere Adresse transportiert, haftet IKEA nicht für Schäden, die während des Transports entstehen können. Wenn IKEA das Produkt hingegen an die Adresse des Kunden transportiert, werden alle Schäden, die während der Lieferung an dem Produkt entstehen, von IKEA übernommen.
- Wenn jedoch ein IKEA Dienstleister oder ein autorisierter Partner das Gerät im Rahmen dieser Garantie repariert oder ersetzt, wird der Dienstleister oder der autorisierte Partner das reparierte Gerät erneut installieren oder das Ersatzgerät installieren, falls erforderlich. Diese Einschränkungen gelten nicht für reguläre Arbeiten, die von qualifiziertem Fachpersonal mit Originalersatzteilen durchgeführt werden, um das Gerät an die technischen Sicherheitsvorschriften eines anderen EU-Landes anzupassen.

Anwendung der nationalen Gesetze

Der Kunde hat Anspruch auf die Rechte, die in der Gesetzesverordnung Nr.206/2005 vorgesehen sind, und diese IKEA Garantie von 5 (fünf) Jahren gilt unbeschadet dieser Rechte, die den gesetzlichen Mindestrechten eines jeden Landes in Bezug auf die Garantie entsprechen oder diese erweitern. Diese

Bedingungen schränken jedoch in keiner Weise die Rechte des Verbrauchers ein, die in den lokalen Gesetzen festgelegt sind.

Gültigkeitsbereich

Für Geräte, die in einem EU-Land gekauft und in ein anderes EU-Land mitgenommen werden, werden die Leistungen gemäß den im neuen Land geltenden Garantiebedingungen erbracht. Die Verpflichtung zur Erbringung von Serviceleistungen gemäß den Garantiebedingungen besteht nur, wenn das Gerät den folgenden Bestimmungen entspricht und entsprechend installiert wurde:

- die technischen Spezifikationen des Landes, in dem die Anwendung der Garantie beantragt wird;
- die in der Installationsanleitung und im Benutzerhandbuch enthaltenen Sicherheitshinweise.

KUNDENDIENST für IKEA Geräte

Zögern Sie nicht, sich an das von IKEA beauftragte autorisierte Servicezentrum zu wenden:

- während der Garantiezeit technische Unterstützung anfordern
- Informationen über den Betrieb von IKEA Geräten anfordern.

Um den besten Service zu gewährleisten, lesen Sie bitte die Montageanleitung und/oder die Bedienungsanleitung des Produkts sorgfältig durch, bevor Sie sich an uns wenden.

Wie Sie uns kontaktieren können, wenn Sie Hilfe benötigen



Bitte wenden Sie sich an die IKEA Kundendienstnummer auf der letzten Seite dieses Handbuchs.


angegeben sind, für das Sie Hilfe benötigen. Wir empfehlen Ihnen, immer den (8-stelligen) IKEA Code und den 12-stelligen Code auf dem Etikett Ihres Produkts bereitzuhalten.

BEWAHREN SIE DAS KAUF-/LIEFERDOKUMENT AUF!

Es ist der Nachweis für Ihren Kauf und muss vorgelegt werden, damit die Garantie gültig ist. Der Name und die IKEA Artikelnummer (8-stellig) für jedes gekaufte Gerät sind ebenfalls auf dem Kassenbon gegeben.

Benötigen Sie weitere Hilfe?


Für alle nicht servicebezogenen Informationen wenden Sie sich bitte an den Kundenservice des betreffenden IKEA Einrichtungshauses. Bitte lesen Sie die technische Dokumentation des Geräts sorgfältig durch, bevor Sie sich an uns wenden.

 Um Ihnen einen schnelleren Service bieten zu können, empfehlen wir Ihnen, die in diesem Handbuch angegebenen Telefonnummern zu verwenden. Beziehen Sie sich immer auf die Nummern, die im Handbuch des Geräts


Instructions de sécurité


Avant la première utilisation

Pour la sécurité personnelle et pour le fonctionnement correct de l'appareil, prière de lire attentivement ce manuel avant l'installation et la mise en marche. Regarder attentivement les images de mise en garde au début de ce manuel. Pour une installation correcte et complète, se référer au manuel d'installation spécifique fournis avec le produit. Toujours garder ces instructions avec l'appareil, même en cas de cession ou de transfert à des tiers. Il est important que les utilisateurs connaissent toutes les caractéristiques de fonctionnement et de sécurité de l'appareil.

 C'est le symbole de danger, relatif à la sécurité, qui signale les risques potentiels pour l'utilisateur et les autres.

Tous les messages relatifs à la sécurité seront précédés du symbole de danger et des termes suivants :

 **DANGER** : indique une situation dangereuse qui provoque de graves blessures si elle n'est pas évitée.

 **AVERTISSEMENT** : indique une situation dangereuse qui pourrait provoquer de graves blessures si elle n'est pas évitée.

Toutes les consignes de sécurité donnent des détails spécifiques sur le possible danger présent ainsi que les indications sur la façon de réduire le risque de blessures, de dommages et de décharges électriques consécutifs à une utilisation inappropriée de l'appareil. Respecter avec attention les instructions suivantes.

- Contrôler que l'appareil ne présente pas de dommages dus au transport
- Retirer les protections en carton, les films de protection et les étiquettes autocollantes des accessoires.
- L'installation et le branchement électrique doivent être effectués par un technicien qualifié en suivant les instruc-

tions du fabricant et conformément aux normes locales de sécurité. Ne pas réparer ou remplacer les pièces de l'appareil si cette intervention n'est pas recommandée de manière spécifique dans le manuel d'utilisation.

- L'appareil doit être débranché du secteur électrique avant d'effectuer une quelconque intervention d'installation.
-  **AVERTISSEMENT** : le défaut d'installation des vis ou des éléments de fixation comme le prévoient ces instructions peut causer des dangers électriques.
- La mise à la terre de l'appareil est rendue obligatoire par la loi. (Impossible pour les hottes de classe II identifiées par le symbole  sur la plaque signalétique).
- Ne pas tirer le cordon d'alimentation de l'appareil pour le débrancher de la prise de courant.
- Une fois l'installation terminée, les composants électriques ne devront pas être accessibles à l'utilisateur.
- Ne pas toucher l'appareil avec des membres du corps humides et ne pas l'utiliser pieds nus.
- Cet appareil peut être utilisé par des enfants âgés de plus de 8 ans et par des personnes ayant des capacités physiques, sensorielles ou mentales réduites ou ayant une expérience et connaissance inadéquates, uniquement s'ils sont surveillés ou s'ils ont reçu les instructions sur l'utilisation sûre de l'appareil et en comprennent les risques. Les enfants doivent être contrôlés pour s'assurer qu'ils ne jouent pas avec l'appareil. Le nettoyage et l'entretien courant ne doivent pas être effectués par des enfants sans la supervision d'un adulte.
- Tous les autres services d'entretien doivent être effectués par un technicien spécialisé.
- Lors du perçage du mur, faire attention à ne pas endommager des connexions électriques et/ou des tuyauteries.

- Les ouvertures de ventilation doivent toujours être raccordées à l'extérieur.
- Le fabricant décline toute responsabilité en cas de dommage provoqué par un mauvais usage ou par des réglages erronés.
- Un entretien et nettoyage adéquats assurent la bonne réussite du travail et les meilleures performances de l'appareil. Nettoyer régulièrement toute la saleté tenace sur la surface pour éviter les accumulations de graisse. Retirer et nettoyer ou changer régulièrement le filtre. Suivre pour cela les instructions fournies sur le « Nettoyage et entretien ».
- Ne pas cuisiner des aliments au feu (« flambé ») sous l'appareil. L'utilisation de flammes nues pourrait provoquer un incendie.
- Le non-respect des instructions pour le nettoyage de la hotte et pour le remplacement et nettoyage des filtres entraîne des risques d'incendie.
- L'air d'échappement ne doit pas être dérivé dans un conduit utilisé pour évacuer les fumées produites par des appareils à combustion de gaz ou d'autres combustibles, mais doit avoir une sortie indépendante.
- Toutes les normes nationales relatives à l'évacuation de l'air doivent être respectées.
- Une ventilation adéquate doit être présente si la hotte est utilisée avec d'autres appareils qui utilisent du gaz ou d'autres combustibles. La pression négative de la pièce ne doit pas être supérieure à 4 Pa (4 x 10⁻⁵ bars). Pour cela, s'assurer que la pièce est bien aérée. En cas de doute, s'adresser à un centre d'assistance agréé ou à un professionnel qualifié.
- Ne pas laisser de poêles sur le feu sans surveillance durant la friture d'aliments, car l'huile utilisée pourrait s'enflammer.
- Avant de toucher les ampoules, s'assurer qu'elles sont froides.
- Ne pas utiliser ou laisser la hotte que l'ampoule soit correctement montée, car cela pourrait entraîner une décharge électrique.
- La hotte n'est pas un plan d'appui : ne pas y poser des objets et ne pas la surcharger.
- Pour toutes les opérations d'installation et d'entretien, utiliser des gants de travail adéquats.
- L'appareil n'est pas prévu pour être utilisé en extérieur.

⚠ AVERTISSEMENT : quand la plaque de cuisson est en marche, les parties accessibles de la hotte peuvent devenir chaudes.

⚠ AVERTISSEMENT : cet appareil est lourd ; la hotte doit être soulevée et installée à deux ou plusieurs personnes. La distance minimale entre la plaque de cuisson et la partie inférieure de la hotte ne doit pas être inférieure à 65 cm pour les plaques dotées de brûleurs à gaz ou autres combustibles et à 50 cm pour les plaques électriques. Avant l'installation, contrôler également les distances minimales indiquées dans le manuel de la plaque de cuisson. Si la distance indiquée dans les instructions d'installation de la plaque de cuisson est supérieure, il faut respecter cette distance.

Installation

La hotte est conçue pour être installée et utilisée en mode « extraction » ou « recirculation ».

Version aspirante (voir le symbole  dans les instructions d'installation)

La vapeur de cuisson est extraite et conduite en dehors de la pièce à travers un tube d'évacuation (non fourni), connecté à la sortie de la vapeur de la hotte.

S'assurer que le tube d'évacuation est correctement monté dans la sortie d'air et avec un système de raccordement adéquat.

Important : s'il(s) est/est déjà installé(s), retirer le(s) filtre(s) à charbon.

Version à recirculation d'air

(voir le symbole  dans les instructions d'installation)

L'air est filtré à travers un ou plusieurs filtres puis conduit de nouveau dans la pièce.

Important : s'assurer que la circulation de l'air est correcte autour de la hotte.

Important : si la hotte n'est pas dotée de filtre à charbon, ils doivent être commandés et montés avant l'utilisation de l'appareil. Les filtres sont disponibles dans les magasins IKEA.


La hotte doit être installée loin des zones sales, des fenêtres, des portes et des sources de chaleur.

Les accessoires pour la fixation au mur ne sont pas inclus car ils dépendent du matériau des murs. Utiliser des systèmes de fixation adaptés aux murs du logement et au poids de l'appareil. Pour plus de précisions, contacter le revendeur spécialisé.


Conserver ces instructions pour toute future consultation.

Conseils pour la protection de l'environnement

Le matériel d'emballage

L'emballage est 100% recyclable et marqué du symbole de recyclage 

Les différentes parties de l'emballage ne doivent par conséquent pas être jetées dans la nature, mais éliminées conformément aux normes établies par les autorités locales.

Le symbole  présent sur le produit ou sur la documentation qui l'accompagne indique que ce produit ne doit pas être traité comme déchet ménager mais apporté à un point de collecte pour le recyclage d'équipements électriques et électroniques.

Nettoyage et entretien

AVERTISSEMENT

- Débrancher la hotte de l'alimentation électrique
- Nettoyer les surfaces avec un chiffon humide. Si elles sont très sales, ajouter quelques gouttes de liquide vaisselle à l'eau. Sécher avec un chiffon sec.
- Ne pas utiliser d'outils ou autres instruments pour le nettoyage.
- Éviter l'utilisation de nettoyeurs vapeur

IMPORTANT : ne pas utiliser de détergents corrosifs ou abrasifs. Si l'un de ces produits entrait en contact avec l'appareil, le nettoyer immédiatement avec un chiffon humide.

Utiliser des détergents spécifiques pour le nettoyage de l'appareil et suivre les instructions du fabricant.

Ne pas utiliser d'éponges à récurer, de paillettes de fer ou des grattoirs en métal. Ils peuvent à la longue abîmer la surface

IMPORTANT : nettoyer les filtres à graisse au moins une fois par mois pour éliminer les résidus d'huile ou de graisse.

Pour laver le filtre à graisse

Le filtre à graisse métallique à une durée illimitée et doit être lavé une fois par mis à la main ou au lave-vaisselle à basses températures et avec un programme court.

Avec le lavage au lave-vaisselle, le filtre à graisse peut se décolorer légèrement, mais ses caractéristiques de filtration ne changent absolument pas.

Entretien du filtre à charbon.

Le filtre anti-odeur doit être lavé et régénéré tous les 3-4 mois (ou plus fréquemment si la hotte est soumise à un usage intensif), jusqu'à un maximum de 8 cycles de régénération (en cas d'usage particulièrement intense, il est recommandé de ne pas dépasser les 5 cycles).

Procédure de régénération

- Laver au lave-vaisselle à une température maximale de 70°C, ou à la main à l'eau chaude sans utiliser d'éponges à récurer (ne pas utiliser de liquide vaisselle !)

- Sécher au four à une température maximale de 70°C pendant 2 heures, ou laisser sécher à température ambiante, en posant le filtre en position verticale pour faciliter l'écoulement de l'eau.

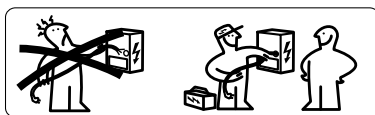
Entretien des ampoules

La hotte est dotée d'un système d'éclairage à LED.

Les LED garantissent un éclairage optimal, une durée jusqu'à 10 fois supérieure aux ampoules traditionnelles et permettent une économie d'énergie électrique de 90%.

Pour le remplacement, contacter le Centre d'Assistance Agréé.

Branchement électrique



⚠ AVERTISSEMENT : Tous les branchements électriques doivent être effectués par un installateur autorisé. Contrôler que la tension indiquée sur la plaque du produit soit la même que le secteur électrique.

Ces informations sont indiquées à l'intérieur de la hotte, sous le filtre à graisse.

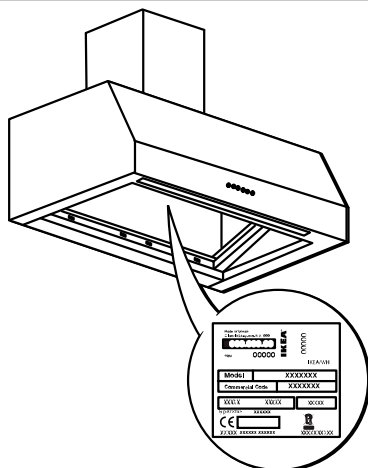
⚠ AVERTISSEMENT : Si la hotte est dotée d'une fiche, brancher l'appareil à une prise conforme aux normes en vigueur située dans une zone accessible. La hotte est dotée d'un cordon d'alimentation spécial (type H05 VV-F) ; en cas d'endommagement, le demander au service d'assistance technique.

Si elle n'est pas dotée de fiche (câblage direct au secteur électrique), ou si la prise n'est pas dans une zone accessible, installer un interrupteur bipolaire normalisé permettant une isolation complète du secteur en cas de surtension de catégorie III, conformément aux normes de câblage.

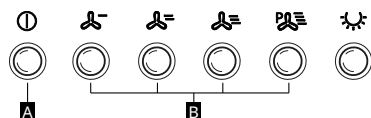
⚠ AVERTISSEMENT : Ne pas souder les câbles !

Plaque des Données

Les données techniques sont indiquées sur la plaque placée sur le côté intérieur de l'appareil



Panneau de Commande



- A** Bouton OFF Moteur
- B** Bouton ON Moteur

GARANTIE IKEA

Quelle est la durée de validité de la garantie IKEA ?

Cette garantie est valable 5 ans à compter de la date d'achat/de livraison de votre appareil dans un magasin IKEA. Il est nécessaire de présenter le ticket original comme preuve d'achat. Les interventions d'assistance effectuées durant la garantie ne prolongeront pas sa période de validité.

Qui fournit le service ?

Le service d'assistance sélectionné et agréé par IKEA fournira le service à travers son réseau de Partenaires d'Assistance Agréés.

Que couvre cette garantie ?

La garantie couvre les défauts de l'appareil dus à des vices de fabrication (défaut fonctionnel), à compter de la date d'achat/

de livraison de l'appareil. Cette garantie ne s'applique que dans le cas d'un usage domestique. Les exceptions sont spécifiées sous la rubrique « Qu'est-ce qui n'est pas couvert par cette garantie ? ».

Pendant la période de garantie, les coûts de réparation

(pièces de rechange, main-d'œuvre et déplacements du personnel technique) seront pris en charge par le service d'assistance, à condition que l'appareil soit accessible à des fins de réparation sans frais particuliers. Ces conditions sont conformes aux directives EU (N° 99/44/CE) et aux normes locales. Les composants remplacés deviennent propriété d'IKEA.

Comment interviendra IKEA pour résoudre le problème ?

Le service d'assistance désigné par IKEA pour exécuter le service examinera le produit et décidera, à sa seule discrétion, s'il est couvert par cette garantie. Le Service d'Assistance IKEA ou son Partenaire d'Assistance agréé réparera le produit défectueux ou le remplacera par un produit identique ou d'une valeur identique, à travers les Centres d'Assistance, à sa seule discrétion.

Qu'est-ce qui n'est pas couvert par la garantie ?

- L'usure normale
- Les dommages occasionnés sciemment ou les dommages provoqués par le non-respect des instructions de fonctionnement, par une installation incorrecte ou à la suite d'un branchement à une tension erronée. Les dommages provoqués par des réactions chimiques, la rouille, la corrosion ou des dégâts des eaux, y compris les dommages causés par un excès de calcaire présent dans les tuyaux d'eau. Les dommages provoqués par des conditions environnementales anormales.
- Les accessoires sujettes à l'usure, y compris les piles et les ampoules.
- Les dommages à des pièces non fonctionnelles et décoratives qui n'affectent pas l'usage normal de l'appareil, y compris les rayures et les différences de couleur.
- Les dommages provoqués par des corps ou des substances étrangères et les dommages provoqués par le nettoyage ou l'élimination des obstructions des filtres, des systèmes d'évacuation ou des bacs à lessive.
- Les dommages occasionnés aux composants suivants : vitrocéramique, accessoires, paniers à couverts et à vaisselle, tuyaux d'alimentation et de vidange, joints, ampoules et protections des ampoules, grilles, poignées, revêtement et parties de revêtement. À moins qu'il ne soit prouvé que ces dommages ont été provoqués par des vices de fabrication.

- Cas où aucun défaut fonctionnel n'est détecté durant la visite d'un technicien.
- Les réparations qui ne sont pas effectuées par notre Service d'Assistance agréé et/ou par un Partenaire d'Assistance contractuel agréé ou en cas d'utilisation de pièces non d'origine.
- Les réparations consécutives à une installation incorrecte ou non conforme aux spécifications.
- Les cas d'utilisation impropre et/ou non domestique de l'appareil, par exemple usage professionnel.
- Dommages dus au transport. Si un client transporte le produit jusqu'à son domicile ou à une autre adresse, IKEA n'est pas responsable des dommages qui pourraient se produire durant le transport. Si IKEA effectue le transport du produit à l'adresse du client, tout dommage survenu au produit durant la livraison sera couvert par IKEA.
- Frais liés à la première installation de l'appareil IKEA. Si un prestataire de services IKEA ou un partenaire agréé répare ou remplace l'appareil conformément à cette garantie, le prestataire ou le partenaire agréé réinstallera l'appareil réparé ou installera l'appareil de remplacement, si nécessaire. Ces restrictions ne s'appliquent pas aux interventions régulières effectuées par un personnel technique qualifié avec des pièces de rechange d'origine pour adapter l'appareil aux dispositions techniques de sécurité d'un autre pays UE.

Application des lois nationales

Le client est titulaire des droits prévus par le D. Lgs. n.206/2005 et cette garantie IKEA de 5 (cinq) ans ne porte pas atteinte à ces droits qui répondent ou étendent les droits minimaux légaux de chaque pays en termes de garantie. Ces conditions ne limitent cependant aucunement les droits des consommateurs définis par les lois locales.

Couverture géographique

Pour les appareils achetés dans un pays européen et emmenés dans un autre pays européen, les services seront fournis dans

le cadre des conditions de garantie applicables dans le nouveau pays. L'obligation de fournir le service dans le cadre des conditions de la garantie n'est effective que si l'appareil est conforme et installé conformément aux :

- spécifications techniques du pays dans lequel l'application de la garantie est demandée ;
- informations relatives à la sécurité figurant dans les Instructions de montage et dans le Manuel d'utilisation.

Le Service d'ASSISTANCE exclusif pour appareils IKEA

N'hésitez pas à contacter le Centres d'Assistance Agréé désigné par IKEA pour :

- faire une demande d'assistance technique pendant la période de garantie
- demander des informations sur le fonctionnement des appareils électroménagers IKEA.

Pour vous assurer la meilleure assistance possible, veuillez lire attentivement les instructions d'assemblage et/ou le manuel d'instructions du produit avant de nous contacter.

Comment nous contacter si vous avez besoin d'assistance



Veuillez contacter le numéro du centre d'assistance IKEA indiqué sur la dernière page de ce manuel.

i Pour vous garantir un service plus rapide, utilisez les numéros de téléphone indiqués dans ce manuel. Faites toujours référence aux numéros indiqués dans le manuel de l'appareil pour lequel vous avez besoin d'un assistance. Nous vous suggérons d'avoir toujours à disposition la référence IKEA (8 chiffres) et la référence à 12 chiffres, indiquées sur l'étiquette de votre produit.

i **CONSERVEZ LE DOCUMENT D'ACHAT/LIVRAISON !**

C'est la preuve de votre achat et il est nécessaire de le montrer pour que la garantie soit valable. Le ticket indique également le nom et la référence article IKEA (8 chiffres) pour chaque appareil acheté.

Vous avez besoin d'informations supplémentaires ?

Pour toute information non relative à l'assistance, veuillez contacter le Service Client du point de vente IKEA de référence. Nous vous prions de lire attentivement la documentation technique relative à l'appareil avant de nous contacter.

Istruzioni per la sicurezza

i Prima del primo utilizzo

Per la propria sicurezza e per il corretto funzionamento dell'apparecchio, si prega di leggere attentamente questo manuale prima dell'installazione e della messa in funzione. Guardare attentamente le immagini di avvertenza all'inizio di questo manuale. Per una corretta e completa installazione fare riferimento allo specifico manuale di installazione fornito insieme al prodotto.

Tenere queste istruzioni sempre insieme all'apparecchio, anche in caso di cessione o trasferimento a terzi. È importante che gli utilizzatori conoscano tutte le caratteristiche di funzionamento e sicurezza dell'apparecchio.

⚠ Questo è il simbolo di pericolo, relativo alla sicurezza, il quale avverte dei potenziali rischi per l'utilizzatore e per gli altri.

Tutti i messaggi relativi alla sicurezza saranno preceduti dal simbolo di pericolo e dai seguenti termini:

⚠ PERICOLO: indica una situazione pericolosa che, se non evitata, provoca lesioni gravi.

⚠ AVVERTENZA: indica una situazione pericolosa che, se non evitata, potrebbe provocare lesioni gravi.

Tutte le avvertenze di sicurezza forniscono dettagli specifici del possibile pericolo presente oltre che indicazioni su come ridurre il rischio di lesioni, danni e scossa elettrica conseguenti ad un uso non appropriato dell'apparecchio. Osservare attentamente le istruzioni seguenti.

- Controllare che l'apparecchio non presenti danni da trasporto
- Rimuovere protezioni di cartone, pellicole protettive ed etichette adesive dagli accessori.
- L'installazione e il collegamento elettrico devono essere effettuati da un tecnico qualificato secondo le istruzioni del pro-

dotto ed in conformità alle norme locali sulla sicurezza. Non riparare o sostituire qualsiasi parte dell'apparecchio se non specificatamente raccomandato nel manuale d'uso.

- L'apparecchio deve essere scollegato dalla rete elettrica prima di effettuare qualunque intervento d'installazione.
- **⚠ AVVERTENZA:** la mancata installazione delle viti o degli elementi di fissaggio come previsto dalle presenti istruzioni può causare pericoli elettrici.
- La messa a terra dell'apparecchio è obbligatoria per legge. (Non possibile per le cappe in classe II identificate dal simbolo  nella targhetta matricola).
- Non tirare il cavo di alimentazione dell'apparecchio per staccarlo dalla presa di corrente.
- Una volta terminata l'installazione, i componenti elettrici non dovranno essere accessibili dall'utilizzatore.
- Non toccare l'apparecchio con parti del corpo umide e non utilizzarlo a piedi nudi.
- Questo apparecchio può essere utilizzato da bambini di età superiore agli 8 anni e da persone con ridotte capacità fisiche, sensoriali o mentali o con esperienza e conoscenza inadeguate solo se sorvegliati o se hanno ricevuto istruzioni sull'utilizzo sicuro dell'apparecchio e ne comprendono i rischi. I bambini devono essere controllati affinché non giochino con l'apparecchio. La pulizia e la manutenzione ordinaria non devono essere effettuate da bambini senza la supervisione di un adulto.
- Tutti gli altri servizi di manutenzione devono essere eseguiti da un tecnico specializzato.
- Quando si fora la parete, fare attenzione a non danneggiare collegamenti elettrici e/o tubature.
- Le aperture di ventilazione devono essere sempre scaricate all'aperto.

- Il fabbricante declina ogni responsabilità per qualsiasi danno causato da un uso improprio o da impostazioni errate.
- Una manutenzione e una pulizia adeguate assicurano la buona riuscita del lavoro e le migliori prestazioni dell'apparecchio. Pulire regolarmente tutto lo sporco ostinato sulla superficie per evitare accumuli di grasso. Rimuovere e pulire o cambiare regolarmente il filtro. Seguire a questo scopo le istruzioni fornite su "Pulizia e manutenzione".
- Non cucinare cibo alla fiamma ("flambé") sotto l'apparecchio. L'uso di fiamme libere potrebbe causare un incendio.
- L'inosservanza delle istruzioni per la pulizia della cappa e per la sostituzione e pulizia dei filtri comporta rischi di incendi.
- L'aria di scarico non deve essere scaricata in un condotto utilizzato per evacuare i fumi prodotti da apparecchi a combustione di gas o di altri combustibili, ma deve avere l'uscita indipendente.
- Devono essere rispettate tutte le normative nazionali relative allo scarico dell'aria.
- Deve essere presente una ventilazione adeguata se la cappa è utilizzata insieme ad altri apparecchi che impiegano gas o altri combustibili. La pressione negativa del locale non deve essere superiore a 4 Pa (4×10^{-5} bar). Per questo motivo, assicurarsi che il locale sia ben arieggiato. In caso di dubbi, rivolgersi a un centro di assistenza autorizzato o ad un professionista qualificato.
- Non lasciare padelle sul fuoco senza sorveglianza durante la frittura di alimenti, in quanto l'olio usato per la frittura potrebbe infiammarsi.
- Prima di toccare le lampadine sincerarsi che siano fredde.
- Non utilizzare o lasciare la cappa priva della lampadina correttamente montata, poiché questo può causare una scossa elettrica.
- La cappa non è un piano di appoggio, perciò non appoggiarvi oggetti né sovraccaricarla.
- Per tutte le operazioni di installazione e manutenzione utilizzare guanti da lavoro adeguati.
- L'apparecchio non è idoneo all'utilizzo in esterno.

⚠ AVVERTENZA: quando il piano di cottura è in funzione le parti accessibili della cappa possono diventare calde.

⚠ AVVERTENZA: questo apparecchio è pesante; la cappa deve essere sollevata e installata solo da due o più persone. La distanza minima fra il piano di cottura e la parte inferiore della cappa non deve essere minore di 65 cm per i piani con bruciatori a gas o ad altri combustibili e di 50 cm per i fornelli elettrici. Prima dell'installazione controllare anche le distanze minime indicate nel manuale del piano di cottura. Se nelle istruzioni di installazione del piano di cottura è specificata una distanza maggiore, occorre rispettare questa distanza.

Installazione

La cappa è progettata per essere installata e utilizzata in modalità di "aspirazione" o di "ricircolo".

Versione aspirante (vedere il simbolo

 **nelle istruzioni per l'installazione)**

Il vapore di cottura viene aspirato e convogliato al di fuori dell'abitazione attraverso un tubo di scarico (non in dotazione), collegato all'uscita del vapore della cappa.

Assicurarsi che il tubo di scarico sia montato correttamente nell'uscita dell'aria con un sistema di collegamento idoneo.

Importante: se già installato/i, rimuovere il/i filtro/i al carbone.

Versione a ricircolo d'aria

(vedere il simbolo  **nelle istruzioni per l'installazione)**

L'aria viene filtrata attraverso uno o più filtri e poi convogliata nuovamente nel locale.

Importante: assicurarsi che vi sia una corretta circolazione dell'aria attorno alla cappa.

Importante: se la cappa non ha in dotazione i filtri al carbone, devono essere ordinati e montati prima dell'uso dell'apparecchio. I filtri sono disponibili nei negozi IKEA.

La cappa deve essere installata lontano da aree particolarmente sporche, finestre, porte e fonti di calore.

Gli accessori per il fissaggio alla parete non sono inclusi perché pareti di materiali diversi richiedono tipi diversi di accessori di fissaggio. Usa sistemi di fissaggio adatti alle pareti della tua casa e al peso dell'elettrodomestico. Per maggiori dettagli, rivolgiti a un rivenditore specializzato.

Conservare queste istruzioni per future consultazioni.

Consigli per la salvaguardia dell'ambiente


Il materiale di imballaggio

L'imballaggio è riciclabile al 100% ed è contrassegnato dal simbolo di riciclaggio



Le diverse parti dell'imballaggio non devono quindi essere disperse nell'ambiente, ma smaltite in conformità alle norme stabilite dalle autorità locali.



Il simbolo  sul prodotto o sulla documentazione di accompagnamento, indica che questo prodotto non deve essere trattato come rifiuto domestico ma deve essere consegnato presso l'adeguato punto di raccolta per il riciclaggio di apparecchiature elettriche ed elettroniche.

Pulizia e manutenzione

AVVERTENZA

- Scollegare la cappa dall'alimentazione elettrica
- Pulire le superfici con un panno umido. Se molto sporche, aggiungere all'acqua qualche goccia di detersivo per i piatti. Asciugare con un panno asciutto.
- Non utilizzare utensili o altri strumenti per la pulizia.
- Evitare l'uso di pulitrici a getto di vapore

IMPORTANTE: non usare detersivi corrosivi o abrasivi. Se, inavvertitamente, uno di questi prodotti dovesse venire a contatto con l'apparecchio, pulirlo subito con un panno umido.

Usare detersivi specifici per la pulizia dell'apparecchio e seguire le istruzioni del produttore.

Non utilizzare spugne abrasive, pagliette o raschietti metallici. A lungo andare, possono rovinare la superficie

IMPORTANTE: pulire i filtri antigrasso almeno una volta al mese per rimuovere i residui di olio o grasso.

Per lavare il filtro antigrasso

Il filtro metallico antigrasso ha una durata illimitata e deve essere lavato una volta al mese a mano o in lavastoviglie a basse temperature e con un programma breve. Con il lavaggio in lavastoviglie il filtro antigrasso può scolorirsi leggermente, ma le sue caratteristiche di filtraggio non cambiano assolutamente.

Manutenzione del filtro al carbone.

Il filtro anti-odore deve essere lavato e rigenerato ogni 3-4 mesi (o più frequentemente se la cappa è soggetta a un uso intensivo), fino a un massimo di 8 cicli di rigenerazione (in caso di uso particolarmente intenso, si raccomanda di non superare i 5 cicli).

Procedura di rigenerazione

- Lavare in lavastoviglie a una temperatura massima di 70°C, oppure a mano in acqua calda senza usare spugne abrasive (non usare detersivi!)
- Asciugare in forno a una temperatura massima di 70°C per 2 ore, oppure lasciare asciugare a temperatura ambiente, appoggiando il filtro in posizione verticale per facilitare il deflusso dell'acqua.

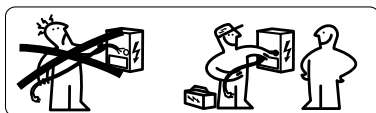
Manutenzione delle lampadine

La cappa è dotata di un sistema di illuminazione a LED.

I LED garantiscono un'illuminazione ottimale, una durata fino a 10 volte superiore alle lampadine tradizionali e consentono un risparmio di energia elettrica del 90%.

Per la sostituzione, contattare il Centro Assistenza Autorizzato.

Collegamento elettrico



⚠ AVVERTENZA: Tutti i collegamenti elettrici devono essere eseguiti da un installatore autorizzato. Controllare che la tensione indicata sulla targhetta del prodotto sia la stessa delle rete elettrica. Queste informazioni sono indicate all'interno della cappa, sotto il filtro antigrasso.

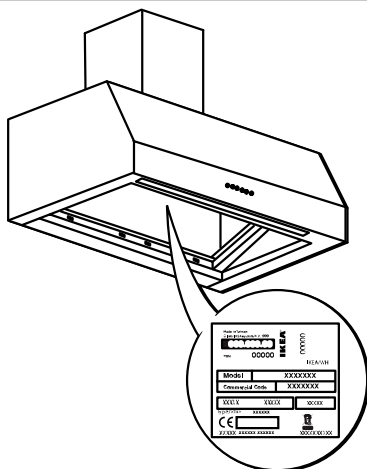
⚠ AVVERTENZA: Se la cappa è provvista di spina, collegare l'apparecchio ad una presa conforme alle norme vigenti, posta in zona accessibile. La cappa è provvista di

un cavo alimentazione speciale (tipo H05 VV-F); in caso di danneggiamento, richiederlo al servizio assistenza tecnica. Se non è provvista di spina (cablaggio diretto alla rete elettrica), o se la presa non è in una zona accessibile, installare un interruttore bipolare normalizzato che permetta un isolamento completo dalla rete in caso di sovratensione di categoria III, in conformità alle norme di cablaggio.

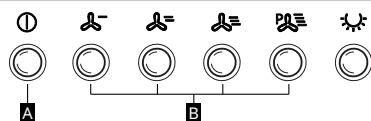
⚠ AVVERTENZA: Non effettuare saldature sui cavi!

Targhetta Dati

I dati tecnici sono riportati nella targhetta posta sul lato interno dell'apparecchio



Pannello Comandi



A Tasto OFF Motore

B Tasto ON Motore

GARANZIA IKEA

Quanto dura la garanzia IKEA?

Questa garanzia è valida per 5 anni a partire dalla data di acquisto/consegna del tuo elettrodomestico presso un negozio IKEA. È necessario esibire lo scontrino originale come documento comprovante l'acquisto. Eventuali interventi di assistenza effettuati durante la garanzia non ne estenderanno la validità.

Chi fornisce il servizio?

Il servizio assistenza selezionato ed autorizzato da IKEA fornirà il servizio attraverso la propria rete di Partner di Assistenza autorizzati.

Cosa copre questa garanzia?

La garanzia copre i difetti dell'elettrodomestico causati da vizi di fabbricazione (difetto funzionale), a partire dalla data di acquisto/ consegna dell'elettrodomestico. Questa garanzia è applicabile solo all'uso domestico. Le eccezioni sono descritte alla voce "Cosa non è coperto dalla garanzia?". Nel periodo di validità della garanzia, i costi di riparazione

(pezzi di ricambio, manodopera e viaggi del personale tecnico) saranno sostenuti dal servizio assistenza, fermo restando che l'accesso all'apparecchiatura per l'intervento di riparazione non comporti spese particolari. Queste condizioni sono conformi alle direttive EU (No. 99/44/CE) e alle norme locali. I componenti sostituiti diventano proprietà di IKEA.

Come IKEA interverrà per risolvere il problema?

Il servizio assistenza incaricato da IKEA per l'esecuzione del servizio esaminerà il prodotto e deciderà, a propria esclusiva discrezione, se lo stesso rientra nella copertura della garanzia. Il Servizio Assistenza IKEA o il suo Partner di Assistenza autorizzato tramite i rispettivi Centri di Assistenza, a propria esclusiva discrezione, riparerà il prodotto difettoso o provvederà a sostituirlo con un prodotto uguale o di pari valore.

Cosa non è coperto dalla garanzia?

- Normale usura
- Danni provocati deliberatamente, danni provocati dalla mancata osservanza delle istruzioni di funzionamento, da un'installazione non corretta o in seguito a collegamento a un voltaggio errato. Danni provocati da reazioni chimiche o elettrochimiche, ruggine, corrosione o danni causati da acqua, inclusi i danni causati dalla presenza di eccessivo calcare nelle condutture idriche. Danni causati da eventi atmosferici e naturali.
- Le parti soggette a consumo, incluse batterie e lampadine.
- Danni a parti non funzionali e decorative che non influiscono sul normale uso dell'elettrodomestico, inclusi graffi e differenze di colore.
- Danni accidentali causati da corpi o sostanze estranee e danni causati da pulizia o eliminazione di ostruzioni da filtri, sistemi di scarico o cassette del detersivo.
- Danni ai seguenti componenti: vetroceramica, accessori, cestelli per posate e stoviglie, tubi di alimentazione e drenaggio, guarnizioni, lampadine e copri lam-

padine, griglie, manopole, rivestimento e parti del rivestimento. A meno che si possa provare che tali danni siano stati causati da errori di fabbricazione.

- Casi in cui non vengono rilevati difetti funzionali durante la visita di un tecnico.
- Riparazioni non eseguite dal nostro Servizio Assistenza autorizzato e/o da un Partner di Assistenza contrattuale autorizzato o in caso di uso di ricambi non originali.
- Riparazioni causate da un'installazione non corretta o non conforme alle specifiche.
- Casi di uso improprio e/o non domestico dell'apparecchio, ad es. uso professionale.
- Danni da trasporto. Qualora sia il cliente a trasportare il prodotto alla propria abitazione o ad altro indirizzo, IKEA non è responsabile per eventuali danni che potrebbero verificarsi durante il trasporto. In compenso, qualora sia IKEA ad effettuare il trasporto del prodotto all'indirizzo del cliente, eventuali danni occorsi al prodotto durante la consegna saranno coperti da IKEA.
- Costi inerenti alla prima installazione dell'elettrodomestico IKEA. Tuttavia, qualora un fornitore di servizi IKEA o un suo partner autorizzato ripari o sostituisca l'apparecchio nei termini della presente garanzia, il fornitore o il partner autorizzato reinstalleranno l'apparecchio riparato o installeranno l'apparecchio in sostituzione, se necessario. Tali restrizioni non valgono per regolari interventi svolti da personale tecnico qualificato con ricambi originali per adattare l'apparecchio alle disposizioni tecniche di sicurezza di un altro paese UE.

Applicazione delle leggi nazionali

Il cliente è titolare dei diritti previsti dal D. Lgs. n.206/2005 e la presente garanzia IKEA di 5 (cinque) anni lascia impregiudicati tali diritti che rispondono o estendono i diritti minimi legali di ogni paese in termini di garanzia. Tali condizioni non limitano tuttavia in alcun modo i diritti del consumatore definiti dalle leggi locali.

Area di validità

Per gli elettrodomestici acquistati in una nazione EU e portati in un'altra nazione EU, i servizi saranno forniti in base alle condizioni di garanzia applicabili nel nuovo paese. L'obbligo di fornire il servizio in base alle condizioni della garanzia esiste solo se l'elettrodomestico è conforme ed è installato secondo:

- le specifiche tecniche del paese in cui viene richiesta l'applicazione della garanzia;
- le informazioni sulla sicurezza contenute nelle Istruzioni per il montaggio e nel Manuale dell'utente.

Il servizio ASSISTENZA dedicato per gli apparecchi IKEA

Non esitate a contattare il Centro Assistenza Autorizzato incaricato da IKEA per:

- richiedere assistenza tecnica nel periodo di garanzia
- richiedere informazioni sul funzionamento degli elettrodomestici IKEA.

Per assicurarvi la migliore assistenza vi preghiamo di leggere attentamente le istruzioni di assemblaggio e/o il manuale di istruzioni del prodotto prima di contattarci.

Come contattarci se avete bisogno di assistenza



Siete pregati di contattare il numero del centro assistenza IKEA riportato sull'ultima pagina di questo manuale.

i Al fine di garantirvi un servizio più veloce, vi suggeriamo di utilizzare i numeri di telefono riportati in questo manuale. Fate sempre riferimento ai numeri indicati nel manuale dell'apparecchiatura per la quale avete bisogno di assistenza. Vi suggeriamo di avere sempre a disposizione il codice IKEA (8 cifre) e il codice a 12 cifre riportati nell'etichetta del vostro prodotto.

 CONSERVATE IL DOCUMENTO DI ACQUISTO/CONSEGNA!

È la prova del vostro acquisto ed è necessario esibirlo affinché la garanzia sia valida. Sullo scontrino sono riportati anche il nome e il codice articolo IKEA (8 cifre) per ogni apparecchiatura acquistata.

Avete bisogno di ulteriore aiuto?

Per qualunque informazione non relativa all'assistenza vi preghiamo di far riferimento al Servizio Cliente del punto vendita IKEA di riferimento. Vi preghiamo di leggere attentamente la documentazione tecnica relativa all'elettrodomestico prima di contattarci.

Instruções de segurança

i Antes da primeira utilização

Para a sua segurança e para o funcionamento correto do aparelho solicita-se que leia atentamente este manual de instalação e de colocação em funcionamento. Observe atentamente as imagens de aviso no início deste manual. Para uma instalação correta e completa, consulte o manual de instalação específico fornecido juntamente com o produto.

Tenha estas instruções sempre juntamente com o aparelho, mesmo em caso de cedência ou transferência para terceiros. É importante que os utilizadores conheçam todas as características de funcionamento e segurança do aparelho.

⚠ Este é o símbolo de perigo, relativo à segurança, o qual avisa sobre os riscos potenciais para o utilizador e para os outros.

Todas as mensagens relativas à segurança serão precedidas pelo símbolo de perigo e dos seguintes termos:


⚠ PERIGO: Indica uma situação perigosa que, se não for evitada, provoca ferimentos graves.

⚠ AVISO: Indica uma situação perigosa que, se não for evitada, poderá provocar ferimentos graves.

Todos os avisos de segurança fornecem detalhes específicos do possível perigo existente, além de indicações sobre como reduzir o risco de ferimentos, danos e choque elétrico resultantes de uma utilização inadequada do aparelho. Observe atentamente as seguintes instruções.

- Verifique se o aparelho não apresenta danos de transporte
- Remova as proteções de papelão, películas protetoras e etiquetas adesivas dos acessórios.
- A instalação e a ligação elétrica devem ser efetuadas por um técnico qualificado segundo as instruções do fabricante e em conformidade com as normas de

segurança locais. Não repare nem substitua qualquer peça do aparelho, a menos que especificamente recomendado no manual do utilizador.

- O aparelho deve ser desligado da rede elétrica antes de efetuar qualquer intervenção de instalação.
- **⚠ AVISO:** a falta de instalação dos parafusos ou dos elementos de fixação conforme previsto nestas instruções pode causar perigos elétricos.
- A ligação do aparelho à terra é obrigatória por lei. (Não é possível para os exaustores de classe II identificados pelo símbolo  na placa de características).
- Não puxe o cabo de alimentação do aparelho para retirá-lo da tomada.
- Uma vez concluída a instalação, os componentes elétricos não devem estar acessíveis ao utilizador.
- Não toque no aparelho com partes do corpo molhadas e não o utilize com os pés descalços.
- Este aparelho pode ser utilizado por crianças com mais de 8 anos de idade e por pessoas com capacidades físicas, sensoriais ou mentais reduzidas, ou com experiência e conhecimento inadequados apenas se forem vigiadas ou se tiverem recebido instruções sobre a utilização segura do aparelho e compreenderem os seus riscos. As crianças devem ser vigiadas para que não brinquem com o aparelho. A limpeza e a manutenção ordinária não devem ser efetuadas por crianças sem a supervisão de um adulto.
- Todos os demais serviços de manutenção devem ser realizados por um técnico especializado.
- Quando se fura a parede, deve prestar atenção para não danificar as ligações elétricas e/ou tubagens.
- As aberturas de ventilação devem estar sempre voltadas para o exterior.

- O fabricante declina qualquer responsabilidade por quaisquer danos causados por uma utilização imprópria ou por definições incorretas.
- Uma manutenção e uma limpeza adequadas garantem o sucesso do trabalho e o melhor desempenho do aparelho. Limpe regularmente toda a sujidade persistente na superfície para evitar as acumulações de gordura. Remova e limpe ou troque o filtro regularmente. Para esse efeito, siga as instruções fornecidas em "Limpeza e manutenção".
- Não cozinhe alimentos na chama ("flambê") sob o aparelho. A utilização de chamas abertas pode causar um incêndio.
- A inobservância das instruções de limpeza do exaustor e de substituição e limpeza dos filtros acarreta riscos de incêndio.
- O ar de exaustão não deve ser descarregado numa conduta utilizada para evacuar os fumos produzidos por aparelhos de combustão a gás ou outros combustíveis, em vez disso deve ter uma saída independente.
- Devem ser cumpridos todos os regulamentos nacionais relativos à exaustão de ar.
- Deve haver uma ventilação adequada se o exaustor for utilizado em conjunto com outros aparelhos que empregam gás ou outros combustíveis. A pressão negativa do local não deve exceder 4 Pa (4 x 10⁻⁵ bar). Por este motivo, certifique-se de que o local esteja bem arejado. Em caso de dúvidas, entre em contacto com um centro de serviço autorizado ou um profissional qualificado.
- Não deixe panelas ao fogo sem vigilância durante a fritura de alimentos, pois o óleo utilizado na fritura pode inflamar-se.
- Certifique-se que as lâmpadas estejam frias antes de lhes tocar.
- Não utilize ou deixe o exaustor sem a lâmpada corretamente montada, pois isso pode causar um choque elétrico.
- O exaustor não é uma superfície de apoio, portanto, não apoie objetos nem o sobrecarregue.
- Para todas as operações de instalação e manutenção, use luvas de trabalho adequadas.
- O aparelho não é adequado para utilização no exterior.

⚠ AVISO: quando a placa de cozinha está em funcionamento, as peças acessíveis do exaustor podem ficar quentes.

⚠ AVISO: este aparelho é pesado; o exaustor só deve ser levantado e instalado por duas ou mais pessoas. A distância mínima entre a placa de cozinha e a parte inferior do exaustor não deve ser inferior à 65 cm para as placas com queimadores a gás ou outros combustíveis e à 50 cm para os fogões elétricos. Antes da instalação verifique também as distâncias mínimas indicadas no manual da placa de cozinha. Se nas instruções de instalação da placa de cozinha for especificada uma distância maior, deve ser respeitada esta distância.

Instalação

O exaustor foi concebido para ser instalado e utilizado em modo "aspiração" ou de "recirculação".

Versão de aspiração (veja o símbolo  nas instruções de instalação)

O vapor de cozedura é aspirado e transportado para fora da habitação através de um tubo de descarga (não fornecido em dotação), ligado à saída do vapor do exaustor.

Certifique-se de que o tubo de exaustão esteja montado corretamente na saída de ar com um sistema de ligação adequado.

Importante: se já estiver(em) instalado(s), remova o(s) filtro(s) de carvão.

Versão de recirculação de ar

(veja o símbolo  nas instruções de instalação)

O ar é filtrado através de um ou mais filtros e depois transportado de volta para o local.

Importante: certifique-se de que exista uma circulação de ar adequada ao redor do exaustor.

Importante: se o exaustor não estiver equipado com filtros de carvão, estes devem ser encomendados e montados antes da utilização do aparelho. Os filtros estão disponíveis nas lojas IKEA.

O exaustor deve ser instalado longe de áreas particularmente sujas, janelas, portas e fontes de calor.

Os acessórios de fixação à parede não estão incluídos porque as paredes de materiais diferentes requerem diferentes tipos de acessórios de fixação. Utilize sistemas de fixação adequados às paredes da sua casa e ao peso do eletrodoméstico.

Para mais detalhes, entre em contacto com um revendedor especializado.

Guarde estas instruções para consultas futuras.

Conselhos para a proteção do meio ambiente


O material de embalagem

A embalagem é 100% reciclável e está

marcada com o símbolo de reciclagem 

As diferentes partes da embalagem não devem, portanto, ser dispersadas no meio ambiente, mas eliminadas em conformidade com as normas estabelecidas pelas autoridades locais.



O símbolo  no produto ou na documentação anexa, indica que este produto não deve ser tratado como lixo doméstico, devendo ser entregue no ponto de recolha apropriado para a reciclagem de equipamentos elétricos e eletrônicos.

Limpeza e manutenção

AVISO

- Desligue o exaustor da alimentação elétrica
- Limpe as superfícies com um pano húmido. Se estiverem muito sujas, adicione à água algumas gotas de líquido da louça. Seque com um pano seco.
- Não utilize utensílios ou outros instrumentos de limpeza.
- Evite a utilização de máquinas de limpeza a jato de vapor

IMPORTANTE: não utilize detergentes corrosivos ou abrasivos. Se, inadvertidamente, um destes produtos entrar em contacto com o aparelho, limpe-o imediatamente com um pano húmido.

Utilize detergentes específicos de limpeza do aparelho e siga as instruções do fabricante.

Não utilize esponjas abrasivas, palha de aço ou raspadores metálicos. A longo prazo, podem estragar a superfície **IMPORTANTE:** limpe os filtros de gordura pelo menos uma vez por mês para remover os resíduos de óleo ou de gordura.

Para lavar o filtro de gordura

O filtro de gorduras metálico tem uma duração ilimitada e deve ser lavado uma vez por mês à mão ou na máquina de lavar louça a baixas temperaturas e com um programa curto.

O filtro de gordura pode ficar ligeiramente descolorado com a lavagem na máquina de lavar louça, mas as suas características de filtragem não se alteram de forma absoluta.

Manutenção do filtro de carvão.

O filtro de odores deve ser lavado e regenerado a cada 3-4 meses (ou mais frequentemente se o exaustor for sujeito a uma utilização intensiva), até ao máximo de 8 ciclos de regeneração (no caso de utilização particularmente intensa, recomenda-se não exceder os 5 ciclos).

Procedimento de regeneração

- Lave na máquina de lavar louça à temperatura máxima de 70 °C, ou à mão em água quente sem utilizar esponjas abrasivas (não utilize detergentes!)

- Seque no forno à temperatura máxima de 70 °C por 2 horas, ou deixe secar em temperatura ambiente, colocando o filtro na posição vertical para facilitar o fluxo de água.

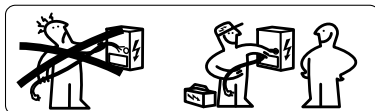
Manutenção das lâmpadas

O exaustor está equipado com um sistema de iluminação a LED.

Os LED garantem uma iluminação ideal, uma duração até 10 vezes superior às lâmpadas tradicionais e permitem uma poupança de energia de 90%.

Contacte um centro de assistência autorizado para a substituição.

Ligação elétrica



⚠ AVISO: Todas as ligações elétricas devem ser feitas por um instalador autorizado. Verifique se a tensão indicada na placa do produto é a mesma da rede elétrica.

Estas informações estão indicadas no interior do exaustor, por baixo do filtro de gordura.

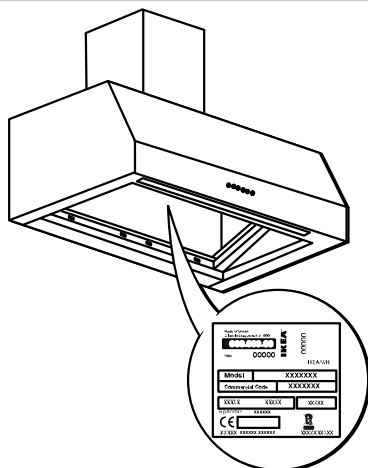
⚠ AVISO: Se o exaustor estiver equipado com ficha, ligue o aparelho a uma tomada conforme as normas em vigor, situada em zona acessível. O exaustor é equipado com um cabo de alimentação especial (tipo H05 VV-F); em caso de danos, solicite-o ao serviço de assistência técnica.

Se não estiver equipado com ficha (cablagem direta à rede elétrica), ou se a tomada não estiver em zona acessível, instale um interruptor diferencial normalizado que permita o isolamento completo da rede em caso de sobretensão de categoria III, em conformidade com as normas de cablagem.

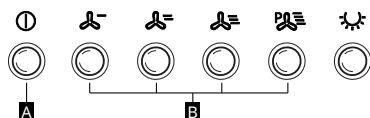
⚠ AVISO: Não efetue soldaduras nos cabos!

Placa de dados

Os dados técnicos são mostrados na placa localizada na parte interna do aparelho



Painel de comandos



- A** Tecla OFF Motor
- B** Tecla ON Motor

GARANTIA IKEA

Qual é a duração da garantia IKEA?

Esta garantia é válida por 5 anos a partir da data de compra/entrega do seu eletrodoméstico numa loja IKEA. É necessário apresentar o recibo original como documento comprovativo da compra. Quaisquer intervenções de assistência efetuadas durante a garantia não prolongarão a sua validade.

Quem presta o serviço?

O serviço de assistência selecionado e autorizado pela IKEA prestará o serviço através da sua rede de Parceiros de Assistência autorizados.

O que é que cobre esta garantia?

A garantia cobre os defeitos do eletrodoméstico causados por vícios de fabricação (defeito funcional), a partir da

data de compra/entrega do eletrodoméstico. Esta garantia é aplicável apenas para a utilização doméstica. As exceções estão descritas no item "O que é que não está coberto pela garantia?". No período de validade da garantia, os custos de reparação (peças sobresselentes, mão de obra e viagens do pessoal técnico) serão suportadas pelo serviço de assistência, ficando assente que o acesso ao equipamento para intervenção de reparação não acarrete despesas específicas. Estas condições estão conformes às diretivas da UE (N.º 99/44 / CE) e às normas locais. Os componentes substituídos tornam-se propriedade da IKEA.

Como intervirá a IKEA para resolver o problema?

O serviço de assistência encarregado pela IKEA para a execução do serviço examinará o produto e decidirá, a seu exclusivo critério, se o mesmo se enquadra na cobertura da garantia. O Serviço de Assistência da IKEA ou o seu Parceiro de Assistência autorizado através dos respetivos Centros de Assistência, a seu exclusivo critério, reparará o produto defeituoso ou tratará de o substituir por um produto igual ou de valor igual.

O que é que não está coberto pela garantia?

- Desgaste normal
- Danos causados deliberadamente, danos causados pela falta de cumprimento das instruções de funcionamento, pela instalação incorreta ou no seguimento de ligação a uma tensão errada. Danos provocados por reações químicas ou eletroquímicas, ferrugem, corrosão ou danos causados pela água, incluindo os danos causados pela presença excessiva de calcário nas tubagens de água. Danos causados por eventos atmosféricos e naturais.
- Peças consumíveis, incluindo baterias e lâmpadas.
- Danos em peças não funcionais e decorativas que não influem na utilização normal do eletrodoméstico, incluindo arranhões e diferenças de cor.
- Danos acidentais causados por corpos ou substâncias estranhas e danos causados pela limpeza ou eliminação de obstruções de filtros, sistemas de drenagem ou gavetas do detergente.
- Danos nos seguintes componentes: placa vitrocerâmica, acessórios, cestos de talheres e louças, tubos de alimentação e drenagem, juntas de vedação, lâmpadas e tampas de lâmpadas, grelhas, manípulos, revestimento e partes do revestimento. A menos que se possa provar que tais danos foram causados por erros de fabrico.

- Casos nos quais não sejam detetados defeitos funcionais durante a visita de um técnico.
- Reparações não realizadas pelo nosso Serviço de Assistência autorizado e/ou por um Parceiro de Assistência contratual autorizado ou no caso de utilização de peças sobresselentes não originais.
- Reparações causadas por uma instalação incorreta ou não conforme com as especificações.
- Casos de utilização imprópria e/ou não doméstica do aparelho, por ex. utilização profissional.
- Danos de transporte. Quando for o cliente a transportar o produto para a sua habitação ou para outra morada, a IKEA não é responsável por quaisquer danos que possam verificar-se durante o transporte. Em compensação, quando for a IKEA a efetuar o transporte do produto para a morada do cliente, quaisquer danos ocorridos no produto durante a entrega serão cobertos pela IKEA.
- Custos inerentes à primeira instalação do eletrodoméstico da IKEA. No entanto, quando um fornecedor de serviços da IKEA ou um seu parceiro autorizado repare ou substitua o aparelho nos termos desta garantia, o fornecedor ou parceiro autorizado reinstalarão o aparelho reparado ou instalarão o aparelho em substituição, se necessário. Estas restrições não valem para intervenções regulares realizadas por pessoal técnico qualificado com peças sobresselentes originais para adaptar o aparelho às disposições técnicas de segurança de um outro país da UE.

Aplicação das leis nacionais

O cliente é titular dos direitos previstos no Decreto Legislativo n.º 206/2005 e esta garantia da IKEA de 5 (cinco) anos deixa inalterados esses direitos que respondem ou ampliam os direitos mínimos legais de cada país em termos de garantia. Tais

condições todavia não limitam de forma alguma os direitos do consumidor conforme definidos pelas leis locais.

Área de validade

Para os eletrodomésticos adquiridos num país da UE e levados para outro país da UE, os serviços serão prestados com base nas condições de garantia aplicáveis no novo país. A obrigação de prestar o serviço com base nas condições da garantia só existe se o eletrodoméstico estiver conforme e for instalado de acordo com:

- as especificações técnicas do país em que é solicitada a aplicação da garantia;
- as informações de segurança contidas nas Instruções de montagem e no Manual do utilizador.

O serviço ASSISTÊNCIA dedicado aos aparelhos da IKEA

Não hesite em contactar o Centro de Assistência Autorizado encarregado pela IKEA para:

- solicitar assistência técnica no período de garantia
- solicitar informações sobre o funcionamento dos eletrodomésticos da IKEA.

Para garantir-lhe o melhor serviço, leia atentamente as instruções de montagem e/ou o manual de instruções do produto antes de nos contactar.

Como contactar-nos se precisar de assistência



Contacte o número do centro de assistência da IKEA referido na última página deste manual.

sempre à disposição o código IKEA (8 dígitos) e o código de 12 dígitos constantes na etiqueta do seu produto.

i GUARDE O DOCUMENTO DE COMPRA/ENTREGA!

É a prova da sua compra e é necessário exibi-lo para que a garantia seja válida. No recibo são mostrados também o nome e o código do artigo da IKEA (8 dígitos) para cada equipamento comprado.

Precisa de ajuda adicional?

Para qualquer informação não relativa à assistência, consulte o Serviço ao Cliente do ponto de venda da IKEA de referência. Leia atentamente a documentação técnica relativa ao eletrodoméstico de nos contactar.

i A fim de lhe garantir um serviço mais rápido, sugerimos-lhe que utilize os números de telefone constantes neste manual. Consulte sempre os números indicados no manual do equipamento para o qual precise de assistência. Sugerimos-lhe que tenha

Instrucciones para la seguridad

i Antes del primer uso

Por su propia seguridad y para un funcionamiento correcto del aparato, lea atentamente este manual previo a la instalación y puesta en marcha. Observe atentamente las imágenes de advertencia al inicio de este manual. Para una instalación correcta y completa, consulte el manual específico de instalación suministrado junto al producto.

Mantenga siempre estas instrucciones junto al aparato, incluso en caso de cesión o transferencia a terceros. Es importante que los usuarios conozcan todas las características de funcionamiento y seguridad del aparato.

⚠ Éste es el símbolo de peligro, relativo a la seguridad, el que advierte sobre los riesgos potenciales para el usuario y para las demás personas.

Todos los mensajes relativos a la seguridad serán precedidos por el símbolo de peligro y por los siguientes términos:

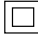
⚠ PELIGRO: indica una situación de riesgo que, si no se evita, provoca lesiones graves.

⚠ ADVERTENCIA: indica una situación de riesgo que, si no se evita, podría provocar lesiones graves.

Todas las advertencias de seguridad ofrecen detalles específicos del posible peligro presente, así como indicaciones sobre cómo reducir el riesgo de lesiones, daños o descarga eléctrica derivados de un uso incorrecto del aparato. Observe atentamente las siguientes instrucciones.

- Controle que el aparato no presente daños por el transporte
- Remueva de los accesorios protecciones de cartón, láminas de protección y etiquetas adhesivas.
- La instalación y la conexión eléctrica deben ser efectuadas por un técnico calificado según las instrucciones del fabricante y conforme a las normas locales

de seguridad. No repare o sustituya cualquier pieza del aparato si no es recomendado específicamente en el manual de uso.

- Antes de realizar cualquier trabajo de instalación, desconecte el aparato de la red eléctrica.
- **⚠ ADVERTENCIA:** la falta de instalación de los tornillos o de los elementos de fijación según lo previsto por las presentes instrucciones puede causar peligros eléctricos.
- La ley exige la puesta a tierra del aparato. (No posible para las campanas de clase II identificadas con el símbolo  en la placa de identificación).
- No tire del cable de alimentación del aparato para desconectarlo del toma de corriente.
- Una vez finalizada la instalación, los componentes eléctricos no deberán ser accesibles al usuario.
- No toque el aparato con partes del cuerpo húmedas y no lo use con los pies descalzos.
- Este aparato puede ser usado por niños de edad superior a 8 años y por personas con capacidades físicas reducidas, sensoriales o mentales, o con experiencia y conocimiento inadecuado solo en caso de ser supervisados, o si recibieron instrucciones de uso seguro del aparato y comprenden sus riesgos. Asegúrese de que los niños no jueguen con el aparato. La limpieza y el mantenimiento ordinario no deben ser realizados por niños sin la supervisión de un adulto.
- El resto de los servicios de mantenimiento deben ser realizados por técnico especializado.
- Cuando perforo la pared, preste atención a no dañar conexiones eléctricas y/o tuberías.
- Las aberturas de ventilación deben descargarse siempre hacia el exterior.

- El fabricante declina toda responsabilidad por cualquier daño causado debido a un uso inadecuado o por configuraciones erróneas.
- Un mantenimiento y limpieza adecuados aseguran el éxito del trabajo y las mejores prestaciones del aparato. Limpie con regularidad toda la suciedad presente sobre la superficie para evitar cúmulos de grasa. Remueva, limpie o cambie los filtros con regularidad. Para ello, siga las instrucciones proporcionadas en la sección "Limpieza y mantenimiento".
- No cocine comida a la llama ("flambé") debajo del aparato. El uso de llamas libres podría causar un incendio.
- El incumplimiento de las instrucciones para la limpieza de la campana y sustitución y limpieza de los filtros implica riesgos de incendio.
- El aire de descarga no debe ser descargado por un conducto usado para evacuar humos producidos por aparatos de combustión a gas u otros combustibles, más bien debe tener una salida independiente.
- Se deben respetar todas las normativas nacionales relativas a la descarga del aire.
- Debe existir una ventilación adecuada si se utiliza la campana junto a otros aparatos que emplean gas u otros combustibles. La presión negativa del local no debe superar los 4 Pa (4 x 10⁻⁵ bar). Por este motivo, asegúrese que el local esté bien ventilado. En caso de dudas, diríjase a un centro de asistencia autorizado o a un profesional calificado.
- No deje sartenes sobre el fuego sin supervisión durante la fritura de alimentos, ya que el aceite usado para la fritura podría incendiarse.
- Antes de tocar las lámparas cerciórese de que están frías.
- No use o deje la campana sin la lámpara montada de forma correcta ya que esto puede causar una descarga eléctrica.
- La campana no es una superficie de apoyo, por lo tanto, no apoye objetos ni la sobrecargue.
- Utilice guantes de trabajo adecuados para todas las operaciones de instalación y mantenimiento.
- El aparato no es idóneo para un uso al aire libre.

⚠ ADVERTENCIA: cuando la placa de cocina está en funcionamiento las piezas accesibles de la campana pueden calentarse.

⚠ ADVERTENCIA: este aparato es pesado; la campana debe ser elevada e instalada por dos o más personas. La distancia mínima entre la placa de cocina y la parte inferior de la campana no debe ser menor de 65 cm para las placas con quemadores a gas u otros combustibles y de 50 cm para los quemadores eléctricos. Antes de instalar, controle también las distancias mínimas indicadas en el manual de la placa de cocina. Si en las instrucciones de instalación de la placa de cocina se especifica una distancia mayor, se debe respetar esta distancia.

Instalación

La campana fue diseñada para ser instalada y usada en modalidad "aspiración" o "recirculación".

Versión de aspiración (vea el símbolo  en las instrucciones para la instalación)

El vapor de cocción es aspirado y transportado fuera de la vivienda mediante un tubo de descarga (no suministrado) conectado a la salida del vapor de la campana.

Asegúrese de que el tubo de descarga esté montado de forma correcta en la salida del aire con un sistema de conexión idóneo.

Importante: si ya está/n instalado/s, remueva el/los filtro/s de carbón.

Versión de recirculación del aire

(vea el símbolo  en las instrucciones para la instalación)

El aire es filtrado mediante uno o más filtros y luego transportado nuevamente dentro del local.

Importante: asegúrese que haya una correcta circulación del aire alrededor de la campana.

Importante: si la campana no fue suministrada con filtros de carbón, éstos deben ser ordenados y montados antes del uso del aparato. Los filtros están disponibles en los negocios IKEA.


La campana debe ser instalada lejos de áreas particularmente sucias, ventanas, puertas y fuentes de calor.

Los accesorios para la fijación a la pared no están incluidos porque las paredes de diversos materiales requieren distintos tipos de accesorios de fijación. Use sistemas de fijación adecuados para las paredes de su casa y el peso del electrodoméstico. Para mayores detalles, diríjase a un revendedor autorizado.

Conserve estas instrucciones para futuras consultas.


Consejos para la protección del ambiente

Material de embalaje

El embalaje es reciclable al 100% y está marcado con el símbolo de reciclaje 

Por ende, las distintas piezas del embalaje no deben dispersarse en el ambiente, más bien eliminarse conforme a las normas establecidas por las autoridades locales.



El símbolo  en el producto o en la documentación adjunta, indica que este producto no debe ser tratado como un desecho doméstico, sino que debe ser llevado a un punto de recolección adecuado para el reciclaje de aparatos eléctricos y electrónicos.

Limpeza y mantenimiento

 **ADVERTENCIA**

- Desconecte la campana de la alimentación eléctrica
- Limpie las superficies con un paño húmedo. Si está muy sucia, agregue al agua algunas gotas de detergente para platos. Seque con un paño seco.
- No use utensilios u otros instrumentos para la limpieza.
- Evite el uso de limpiadores de vapor

IMPORTANTE: no use detergentes corrosivos o abrasivos. Si, de forma inadvertida, uno de estos productos entra en contacto con el aparato, límpielo de inmediato con un paño húmedo.

Use detergentes específicos para la limpieza del aparato y siga las instrucciones del fabricante.

No use esponjas abrasivas, estropajos o raspadores metálicos. Pueden arruinar la superficie a largo plazo

IMPORTANTE: limpie los filtros antigrasa al menos una vez al mes para remover los residuos de aceite y grasa.

Para lavar el filtro antigrasa

El filtro metálico antigrasa tiene una duración ilimitada y debe lavarse una vez al mes a mano o en un lavavajillas a baja temperatura y con un programa breve. Con el lavado en lavavajillas el filtro antigrasa puede desteñirse ligeramente, pero sus características de filtrado no cambiarán en lo absoluto.

Mantenimiento del filtro de carbón.

El filtro antiolor debe ser lavado y regenerado cada 3-4 meses (o con más frecuencia si la campana está sujeta a un

uso intensivo), hasta un máximo de 8 ciclos de regeneración (en caso de un uso particularmente intenso, se aconseja no superar los 5 ciclos).

Proceso de regeneración

- Lave en lavavajillas a una temperatura máxima de 70°C o a mano en agua caliente sin usar esponjas abrasivas (¡no use detergentes!)
- Seque en un horno a una temperatura máxima de 70°C por 2 horas o deje secar a temperatura ambiente apoyando el filtro en posición vertical para facilitar la salida del agua.

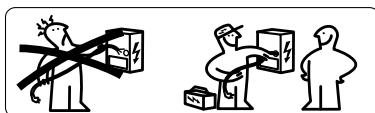
Mantenimiento de las lamparitas

La campana está equipada con sistema de iluminación de LED.

Los LED proporcionan una iluminación óptima, duran hasta 10 veces más que las bombillas convencionales y permiten un ahorro de energía eléctrica del 90%.

Para su sustitución, póngase en contacto con el Servicio Técnico Autorizado.

Conexión eléctrica



⚠ ADVERTENCIA: Todas las conexión eléctricas deben ser realizadas por un instalador autorizado. Controle que la tensión indicada sobre la placa del producto sea la misma de la red eléctrica. Estas informaciones están indicadas en el interior de la campana, debajo del filtro antigrasa.

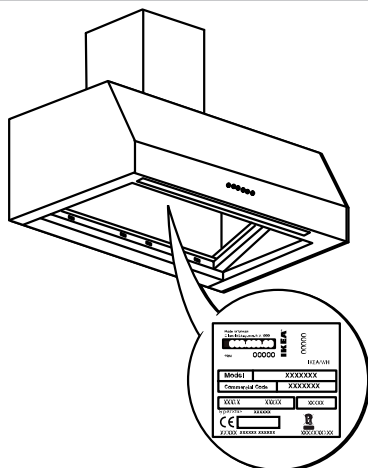
⚠ ADVERTENCIA: Si la campana está equipada con enchufe, conecte el aparato a una toma conforme a las normativas vigentes, colocado en una zona accesible. La campana está equipada con un cable de alimentación especial (tipo H05 VV-F); en caso de daño solicítelo al servicio de asistencia técnica.

Si no está equipada con enchufe (cableado directo a la red eléctrica), o si la toma no se encuentra en una zona accesible, instale un interruptor bipolar normalizado que permita un aislamiento completo de la red en caso de sobretensión de categoría III, conforme a las normativas de cableado.

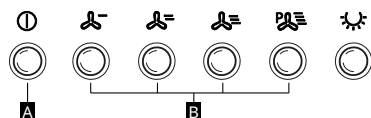
⚠ ADVERTENCIA: ¡No realice soldaduras sobre los cables!

Placa de Datos

Los datos técnicos están indicados en la placa colocada sobre la parte interna del aparato



Panel de Mandos



- A** Tecla OFF Motor
- B** Tecla ON Motor

GARANTÍA IKEA

¿Cuánto dura la garantía IKEA?

Esta garantía es válida por 5 años a partir de la fecha compra/entrega de su electrodoméstico en un negocio IKEA. Es necesario que exhiba el recibo original como documento comprobante de la compra. Eventuales intervenciones de asistencia efectuados durante la garantía no extenderán su validez.

¿Quién suministra el servicio?

El servicio de asistencia seleccionado y autorizado por IKEA suministrará el servicio mediante su propia red de Partner de Asistencia autorizados.

¿Qué cubre esta garantía?

La garantía cubre los defectos del electrodoméstico causados por fallas de fabricación (defecto funcional), a partir de

la fecha de compra/ entrega del electrodoméstico. Esta garantía se aplica solo para un uso doméstico. Las excepciones están descritas en el apartado "¿Qué no cubre la garantía?". En el período de validez de la garantía, los costos de reparación (piezas de repuesto, mano de obra y viáticos del personal técnico) serán pagados por el servicio de asistencia, restando invariable que el acceso al equipamiento para la intervención de reparación no conlleve gastos particulares. Estas condiciones cumplen con las directivas EU (N. 99/44/CE) y las normativas locales. Los componentes sustituidos se convierten en propiedad de IKEA.

¿Como intervendrá IKEA para resolver el problema?

El servicio de asistencia encargado por IKEA para la ejecución del servicio examinará el producto y decidirá, bajo propia y exclusiva discreción, si el mismo entra dentro la cobertura de la garantía. El Servicio de Asistencia IKEA o su Partner de Asistencia autorizado mediante los respectivos Centros de Asistencia, bajo propia y exclusiva discreción, reparará el producto o se encargará de una sustitución con un producto igual o de igual valor.

¿Qué no cubre la garantía?

- Uso regular
- Daños provocados de forma deliberada, daños provocados por el incumplimiento de las instrucciones de funcionamiento, por una instalación incorrecta o como resultado de una conexión a un voltaje erróneo. Daños provocados por reacciones químicas o electroquímicas, óxido, corrosión o daños causados por el agua, incluidos los daños causados por la presencia excesiva de caliza en las tuberías del agua. Daños causados por fenómenos meteorológicos y naturales.
- Las piezas sujetas al consumo, incluidas baterías y lámparas.
- Daños o piezas no funcionales y decorativas que no influyen en el uso regular del electrodoméstico, incluidos rasguños o diferencias de color.
- Daños accidentales causados por objetos o sustancias ajenas y daños causados por la limpieza o eliminación de obstrucciones por filtros, sistemas de descarga o cajones del detergente.
- Daños a los siguientes componentes: vitrocerámica, accesorios, cestas para cubiertos y vajillas, tubos de alimentación y drenaje, juntas, lámparas y cubre lámparas, rejillas, perillas, revestimiento y piezas del revestimiento. A menos que se pueda probar que dichos daños hayan sido causados por fallas de fabricación.

- Casos en que no se detecten defectos funcionales durante la visita de un técnico.
- Reparaciones no realizadas por nuestro Servicio de Asistencia autorizado y/o por un Partner de Asistencia contractual autorizado, o en caso de un uso de piezas no originales.
- Reparaciones causadas por una instalación incorrecta o que no cumple las especificaciones.
- Casos de uso inadecuado y/o no doméstico del aparato, por ejemplo, uso profesional.
- Daños por el transporte. Si el cliente transportase el producto a su propia vivienda u otro domicilio, IKEA no se hace responsable por eventuales daños que podrían verificarse durante el transporte. En cambio, si IKEA efectuase el transporte del producto al domicilio del cliente, eventuales daños ocurridos al producto durante la entrega serán cubiertos por IKEA.
- Costes relacionados a la primera instalación del electrodoméstico IKEA. Sin embargo, si un proveedor de servicios de IKEA o un partner autorizado repara o sustituye el aparato en los términos de la presente garantía, el proveedor o partner autorizado reinstalarán el aparato reparado o instalarán el aparato en sustitución si es necesario. Dichas restricciones no valen para intervenciones regulares efectuadas por personal técnico calificado con piezas originales para adaptar el aparato a las disposiciones técnicas de seguridad de otro país de la UE.

Aplicaciones de las leyes nacionales

El cliente es el titular de los derechos previstos por el D. Lgs N.º 206/2005 y la presente garantía IKEA de 5 (cinco) años deja pendiente tales derechos que responden o extienden los derechos mínimos legales de cada país en términos de garantía. Sin embargo, dichas condiciones no limitan, de ningún modo, los derechos del consumidor definidos por las leyes locales.

Áreas de validez

Para los electrodomésticos comprados en un país de la UE y llevados hacia otro país de la UE, los servicios serán suministrados en base a las condiciones de garantía aplicables del nuevo país. La obligación de proveer el servicio en base a las condiciones de la garantía existe solo si el electrodoméstico está instalado y se ajusta siguiendo:

- las especificaciones técnicas del país en que se solicita la aplicación de la garantía;
- las informaciones sobre la seguridad contenidas en las instrucciones para el montaje y en el Manual del usuario.

El servicio de ASISTENCIA dedicado para los aparatos IKEA

No dude en contactar al Servicio de Asistencia Autorizado encargado por IKEA para:

- solicitar asistencia técnica dentro del período de garantía
- solicitar informaciones sobre el funcionamiento de los electrodomésticos IKEA.

Para asegurarle la mejor asistencia, le solicitamos que lea atentamente las instrucciones de ensamblaje y/o manual de instrucciones del producto antes de contactarnos.

Cómo contactarnos si tiene necesidad de asistencia



Póngase en contacto con el número del centro de asistencia IKEA indicado en la última página de este manual.

i ¡CONSERVE EL DOCUMENTO DE COMPRA/ENTREGA!

Es la prueba de su compra y es necesario exhibirlo para que la garantía sea válida. En el recibo se indican también el nombre y el código del artículo IKEA (8 cifras) para cada aparato comprado.

¿Necesita de más ayuda?

Para cualquier información no relativa a la asistencia le pedimos que consulte al Servicio al Cliente del punto de venta IKEA de referencia. Le pedimos que lea atentamente la documentación técnica relativa al electrodoméstico antes de contactarnos.

i Con el fin de garantizarle un servicio veloz, le sugerimos que utilice los números de teléfono indicados en este manual. Consulte siempre los números indicados en el manual del aparato del cual necesita asistencia. Le sugerimos que tenga siempre a disposición el código IKEA (8 cifras) y el código de 12 cifras indicados en la etiqueta de su producto.

Οδηγίες ασφαλείας

i Πριν από την πρώτη χρήση

Για την ασφάλειά σας και για τη σωστή λειτουργία της συσκευής, διαβάστε προσεκτικά το παρόν εγχειρίδιο πριν την εγκατάσταση και τη λειτουργία.

Μελετήστε προσεκτικά τις εικόνες με τις προειδοποιήσεις στην αρχή του παρόντος εγχειριδίου. Για τη σωστή και πλήρη εγκατάσταση συμβουλευτείτε το ειδικό εγχειρίδιο εγκατάστασης που παρέχεται μαζί με το προϊόν.

Οι παρούσες οδηγίες πρέπει να συνοδεύουν πάντα τη συσκευή, ακόμη και σε περίπτωση μεταβίβασης ή μεταφοράς σε τρίτους. Είναι σημαντικό οι χρήστες να γνωρίζουν όλα τα χαρακτηριστικά λειτουργίας και ασφαλείας της συσκευής.


⚠ Αυτό το σύμβολο σημαίνει κίνδυνος και προειδοποιεί για την πιθανή παρουσία κινδύνων που μπορεί να επηρεάσουν τον χρήστη και τους άλλους.

Σε όλα τα μηνύματα που αφορούν την ασφάλεια προηγείται το σύμβολο του κινδύνου καθώς και ένας από τους ακόλουθους όρους:

⚠ KINΔYΝΟΣ: υποδεικνύει μια επικίνδυνη κατάσταση που, εάν δεν αποφευχθεί, προκαλεί σοβαρούς τραυματισμούς.

⚠ ΠΡΟΕΙΔΟΠΟΙΗΣΗ: υποδεικνύει μια επικίνδυνη κατάσταση που, εάν δεν αποφευχθεί, μπορεί να προκαλέσει σοβαρούς τραυματισμούς. Όλες οι προειδοποιήσεις ασφαλείας παρέχουν συγκεκριμένες λεπτομέρειες σχετικά με τον πιθανό κίνδυνο που υπάρχει καθώς και οδηγίες ως προς τον τρόπο μείωσης του κινδύνου τραυματισμού, ζημιάς και ηλεκτροπληξίας που προκαλείται από τη μη κατάλληλη χρήση της συσκευής. Τηρείτε προσεκτικά τις παρακάτω οδηγίες.

- Ελέγξτε ότι η συσκευή δεν έχει υποστεί ζημιές κατά τη μεταφορά.

- Αφαιρέστε τις προστασίες από χαρτόνι, τις προστατευτικές μεμβράνες και τις αυτοκόλλητες ετικέτες από τα διάφορα εξαρτήματα.
- Η εγκατάσταση και η ηλεκτρική σύνδεση πρέπει να εκτελούνται από ειδικευμένο τεχνικό σύμφωνα με τις οδηγίες του κατασκευαστή και σε συμμόρφωση με τους τοπικούς κανονισμούς περί ασφαλείας. Μην επισκευάζετε ή αντικαθιστάτε οποιοδήποτε μέρος της συσκευής εάν δεν προτείνεται από το εγχειρίδιο χρήσης.
- Η συσκευή πρέπει να αποσυνδέεται από το ηλεκτρικό ρεύμα πριν από την εκτέλεση οποιασδήποτε εργασίας εγκατάστασης.
- **⚠ ΠΡΟΕΙΔΟΠΟΙΗΣΗ:** η μη τοποθέτηση των βιδών ή των στοιχείων στερέωσης σύμφωνα με τις παρούσες οδηγίες μπορεί να προκαλέσει κινδύνους ηλεκτρικής φύσης.
- Η γείωση της συσκευής είναι υποχρεωτική βάσει νόμου. (Δεν είναι εφικτή για τους απορροφητήρες κλάσης II που φέρουν το σύμβολο  στην πινακίδα στοιχείων).
- Μην τραβάτε το καλώδιο τροφοδοσίας της συσκευής για να την αποσυνδέσετε από την πρίζα του ρεύματος.
- Μετά την ολοκλήρωση της εγκατάστασης, τα ηλεκτρικά εξαρτήματα δεν πρέπει να είναι προσβάσιμα από τον χρήστη.
- Μην αγγίζετε τη συσκευή με βρεγμένα μέρη του σώματος και μην τη χρησιμοποιείτε με γυμνά πόδια.
- Η συσκευή αυτή μπορεί να χρησιμοποιηθεί από παιδιά ηλικίας άνω των 8 ετών και από άτομα με μειωμένες σωματικές, αισθητηριακές ή διανοητικές ικανότητες ή με ελλιπή εμπειρία και γνώση μόνο εάν επιβλέπονται ή έχουν λάβει οδηγίες σχετικά με την ασφαλή χρήση της συσκευής και κατανοούν τους σχετικούς κινδύνους. Τα παιδιά απαγορεύεται να παίζουν με τη συσκευή. Ο τακτι-

κός καθαρισμός και συντήρηση δεν πρέπει να πραγματοποιούνται από παιδιά εάν δεν επιβλέπονται από έναν ενήλικα.

- Όλες οι άλλες υπηρεσίες συντήρησης πρέπει να εκτελούνται από εξειδικευμένο τεχνικό.
- Όταν τρυπάτε τον τοίχο, προσέχετε να μην καταστρέψετε τις ηλεκτρικές συνδέσεις ή/και τις σωληνώσεις.
- Τα ανοίγματα για τον εξωτερικό πρέπει πάντα να οδηγούν σε εξωτερικό χώρο.
- Ο κατασκευαστής απαλλάσσεται από κάθε ευθύνη για οποιαδήποτε ζημιά που οφείλεται σε μη κατάλληλη χρήση ή σε λανθασμένες ρυθμίσεις.
- Ο σωστός καθαρισμός και συντήρηση εξασφαλίζουν σωστό αποτέλεσμα και βέλτιστες επιδόσεις της συσκευής. Καθαρίζετε τακτικά την επίμονη βρωμιά που υπάρχει στην επιφάνεια της συσκευής προκειμένου να αποφύγετε τη συσσώρευση λίπους. Αφαιρείτε και καθαρίζετε ή αντικαθιστάτε τακτικά το φίλτρο. Για να το κάνετε αυτό, ακολουθήστε τις οδηγίες στην ενότητα «Καθαρισμός και συντήρηση».
- Μη μαγειρεύετε με τη χρήση φλόγας («φλαμπέ») κάτω από τη συσκευή. Η χρήση ελεύθερης φλόγας μπορεί να αποτελέσει αιτία πυρκαγιάς.
- Η μη τήρηση των οδηγιών για τον καθαρισμό του απορροφητήρα και για την αντικατάσταση και καθαρισμό των φίλτρων συνεπάγεται τον κίνδυνο φωτιάς.
- Ο αποβαλλόμενος αέρας δεν πρέπει να εκκενώνεται σε αγωγό που χρησιμοποιείται για την εκκένωση των καπνών που παράγονται από συσκευές καύσης αερίου ή άλλων καυσίμων, αλλά πρέπει να έχει αυτόνομη έξοδο.
- Πρέπει να τηρούνται όλοι οι εθνικοί κανονισμοί αναφορικά με την αποβολή του αέρα.
- Πρέπει να υπάρχει κατάλληλος εξαερισμός σε περίπτωση που ο απορροφητήρας χρησιμοποιείται σε συνδυασμό με άλλες συσκευές που χρησιμοποιούν αέριο ή άλλες καύσιμες ύλες. Η αρνητι-

κή πίεση του δωματίου δεν πρέπει να ξεπερνά τα 4 Pa (4 x 10⁻⁵ bar). Γι' αυτόν τον λόγο, βεβαιωθείτε ότι το δωμάτιο αερίζεται επαρκώς. Σε περίπτωση αμφιβολίας, απευθυνθείτε σε ένα εξουσιοδοτημένο κέντρο υποστήριξης ή σε έναν εξειδικευμένο επαγγελματία.

- Μην αφήνετε σκεύη επάνω στη φωτιά χωρίς επίβλεψη όταν τηγανίζετε, διότι το λάδι που χρησιμοποιείται για τη γάνισμα μπορεί να αναφλεγεί.
- Προτού πιάσετε τους λαμπτήρες βεβαιωθείτε ότι είναι κρύοι.
- Μη χρησιμοποιείτε τον απορροφητήρα εάν ο λαμπτήρας δεν έχει τοποθετηθεί σωστά, διότι αυτό μπορεί να προκαλέσει ηλεκτροπληξία.
- Ο απορροφητήρας δεν είναι επιφάνεια στήριξης και επομένως μην στηρίζετε επάνω του αντικείμενα και μην τοποθετείτε υπερβολικό βάρος.
- Για όλες τις εργασίες εγκατάστασης και συντήρησης φοράτε κατάλληλα γάντια εργασίας.
- Η συσκευή δεν είναι κατάλληλη για χρήση σε εξωτερικό χώρο.


⚠ ΠΡΟΕΙΔΟΠΟΙΗΣΗ: όταν η μονάδα των εστιών μαγειρέματος είναι σε λειτουργία τα προσβάσιμα μέρη του απορροφητήρα ενδέχεται να είναι ζεστά.

⚠ ΠΡΟΕΙΔΟΠΟΙΗΣΗ: η συσκευή αυτή είναι βαριά και επομένως ο απορροφητήρας πρέπει να σηκώνεται και να εγκαθίσταται από δύο ή περισσότερα άτομα. Η ελάχιστη απόσταση μεταξύ της μονάδας των εστιών μαγειρέματος και του κάτω μέρους του απορροφητήρα δεν πρέπει να είναι μικρότερη από 65 cm για τις εστιές αερίου ή άλλων καυσίμων υλών και μικρότερη από 50 cm για τα ηλεκτρικά μάτια. Πριν από την εγκατάσταση ελέγξτε και τις ελάχιστες αποστάσεις που υποδεικνύονται στο εγχειρίδιο της επιφάνειας μαγειρέματος. Εάν στις οδηγίες εγκατάστασης της επιφάνειας μαγειρέματος ορίζεται μεγαλύτερη απόσταση, θα πρέπει να τηρείται η συγκεκριμένη απόσταση.

Εγκατάσταση

Ο απορροφητήρας είναι έτσι σχεδιασμένος ώστε να εγκαθίσταται και να χρησιμοποιείται είτε σε λειτουργία «απορρόφησης» είτε σε λειτουργία «ανακυκλοφορίας αέρα».

Έκδοση απορρόφησης (δείτε το


σύμβολο  στις οδηγίες εγκατάστασης)

Ο ατμός μαγειρέματος απορροφάται και διοχετεύεται εκτός του δωματίου μέσω ενός σωλήνα εξαγωγής (δεν παρέχεται), ο οποίος είναι συνδεδεμένος στην έξοδο των ατμών του απορροφητήρα.

Βεβαιωθείτε ότι ο σωλήνας εξαγωγής είναι σωστά εγκατεστημένος στην έξοδο του αέρα μέσω κατάλληλου συστήματος σύνδεσης.

Σημαντικό: εάν είναι ήδη τοποθετημένο/-α, αφαιρέστε το φίλτρο/-α άνθρακα.

Έκδοση με ανακυκλοφορία αέρα

(δείτε το σύμβολο  στις οδηγίες εγκατάστασης)

Ο αέρας φιλτράρεται μέσω ενός ή περισσότερων φίλτρων και έπειτα διοχετεύεται ξανά στον χώρο.

Σημαντικό: βεβαιωθείτε ότι υπάρχει σωστή κυκλοφορία του αέρα γύρω από τον απορροφητήρα.

Σημαντικό: εάν ο απορροφητήρας δεν διαθέτει φίλτρα άνθρακα, θα πρέπει να τα παραγγείλετε και να τα τοποθετήσετε πριν από τη χρήση της συσκευής. Τα φίλτρα δεν διατίθενται στα καταστήματα ΙΚΕΑ.

Ο απορροφητήρας πρέπει να εγκαθίσταται μακριά από χώρους με πολλή βρωμιά, παράθυρα, πόρτες και πηγές θερμότητας.

Τα εξαρτήματα για την στερέωση στον τοίχο δεν συμπεριλαμβάνονται διότι ανάλογα με το υλικό από το οποίο είναι φτιαγμένος ο τοίχος απαιτούνται και διαφορετικοί τύποι εξαρτημάτων στερέωσης. Χρησιμοποιήστε συστήματα στερέωσης που είναι κατάλληλα για τους τοίχους του σπιτιού σας και για το βάρος της οικιακής συσκευής. Για περισσότερες λεπτομέρειες, απευθυνθείτε σε έναν εξειδικευμένο μεταπωλητή.

Φυλάξτε τις παρούσες οδηγίες για μελλοντική αναφορά.

Συμβουλές για την προστασία του περιβάλλοντος


Υλικό συσκευασίας

Η συσκευασία είναι ανακυκλώσιμη 100% και φέρει το σύμβολο της ανακύκλωσης



Τα διάφορα μέρη της συσκευασίας δεν πρέπει επομένως να απορρίπτονται στο περιβάλλον, αλλά να απορρίπτονται σύμφωνα με τους κανονισμούς που ορίζουν οι τοπικές αρχές.



Το σύμβολο  επάνω στο προϊόν ή στα συνοδευτικά έγγραφα, υποδεικνύει ότι το παρόν προϊόν δεν πρέπει να συγκαταλέγεται στα οικιακά απορρίμματα αλλά πρέπει να παραδίδεται σε κάποιο ειδικό σημείο συλλογής για την ανακύκλωση ηλεκτρικού και ηλεκτρονικού εξοπλισμού.

Καθαρισμός και συντήρηση

ΠΡΟΕΙΔΟΠΟΙΗΣΗ

- Αποσυνδέστε τον απορροφητήρα από το ηλεκτρικό ρεύμα

- Καθαρίστε τις επιφάνειες με ένα υγρό πανί. Εάν είναι πολύ βρώμικες, προσθέστε στο νερό μερικές σταγόνες απορρυπαντικού πιάτων. Στεγνώστε με ένα στεγνό πανί.

- Μη χρησιμοποιείτε εργαλεία ή άλλα μέσα καθαρισμού.
- Αποφύγετε τη χρήση ατμοκαθαριστών

ΣΗΜΑΝΤΙΚΟ: μη χρησιμοποιείτε διαβρωτικά ή λειαντικά καθαριστικά. Εάν, κατά λάθος, κάποιο από αυτά τα προϊόντα έρθει σε επαφή με τη συσκευή, καθαρίστε την αμέσως με ένα βρεγμένο πανί.

Χρησιμοποιείτε ειδικά καθαριστικά για τον καθαρισμό της συσκευής και ακολουθείτε πάντα τις οδηγίες του κατασκευαστή.

Μη χρησιμοποιείτε λειαντικά σφουγγάρια, σύρματα καθαρισμού ή μεταλλικές ξύστρες. Μπορεί μακροπρόθεσμα να καταστρέψουν την επιφάνεια

ΣΗΜΑΝΤΙΚΟ: καθαρίζετε τα φίλτρα συγκράτησης λίπους τουλάχιστον μία φορά τον μήνα ώστε να απομακρύνονται τα υπολείμματα λαδιού ή λίπους.

Για να πλύνετε το φίλτρο συγκράτησης λίπους

Το μεταλλικό φίλτρο συγκράτησης λίπους έχει απεριόριστη διάρκεια και πρέπει να πλένεται μία φορά τον μήνα στο χέρι ή στο πλυντήριο πιάτων σε χαμηλές θερμοκρασίες και σε σύντομο πρόγραμμα πλύσης.

Με το πλύσιμο σε πλυντήριο πιάτων το φίλτρο συγκράτησης λίπους μπορεί ελαφρώς να ξεθωριάσει, όμως οι ιδιότητες φιλτραρίσματος που διαθέτει δεν επηρεάζονται καθόλου.

Συντήρηση του φίλτρου άνθρακα.

Το φίλτρο κατά των οσμών πρέπει να πλένεται και να αναγεννάται κάθε 3-4 μήνες (ή και συχνότερα εάν η χρήση του απορροφητήρα είναι εντατική), έως 8 κύκλους αναγέννησης το μέγιστο (σε περίπτωση ιδιαίτερα εντατικής χρήσης, συνιστάται να μην υπερβαίνουν οι 5 κύκλοι).

Διαδικασία αναγέννησης

- Το πλύσιμο γίνεται στο πλυντήριο πιάτων σε μέγιστη θερμοκρασία 70°C, ή στο χέρι με ζεστό νερό δίχως να χρησιμοποιείτε λειαντικά σφουγγάρια (μη χρησιμοποιείτε απορρυπαντικά!)
- Στεγνώστε το στον φούρνο σε μέγιστη θερμοκρασία 70°C για 2 ώρες, ή αφήστε το να στεγνώσει σε θερμοκρασία περιβάλλοντος, στερεώνοντας το φίλτρο κατακόρυφα ώστε να διευκολύνεται η εκροή του νερού.

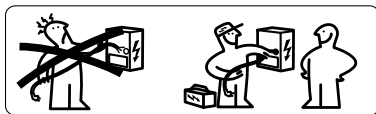
Συντήρηση των λαμπτήρων

Ο απορροφητήρας διαθέτει σύστημα φωτισμού με LED.

Τα LED εξασφαλίζουν βέλτιστο φωτισμό, διαρκούν περίπου έως 10 φορές περισσότερο από τους παραδοσιακούς λαμπτήρες και εξοικονομούν ηλεκτρική ενέργεια κατά 90%.

Για την αντικατάστασή τους, επικοινωνήστε με το Εξουσιοδοτημένο Κέντρο Υποστήριξης.

Ηλεκτρική σύνδεση



⚠ ΠΡΟΕΙΔΟΠΟΙΗΣΗ: Όλες οι ηλεκτρικές συνδέσεις πρέπει να πραγματοποιούνται από εξουσιοδοτημένο εγκαταστάτη. Ελέγξτε ότι η τάση που αναγράφεται στην πινακίδα με τα στοιχεία του προϊόντος είναι ίδια με εκείνη του ηλεκτρικού δικτύου.

Οι πληροφορίες αυτές αναγράφονται στο εσωτερικό του απορροφητήρα, κάτω από το φίλτρο λίπους.

⚠ ΠΡΟΕΙΔΟΠΟΙΗΣΗ: Εάν ο απορροφητήρας διαθέτει φως, συνδέστε τη συσκευή σε μια πρίζα που συμμορφώνεται με την ισχύουσα νομοθεσία, η οποία να βρίσκεται σε

προσβάσιμο σημείο. Ο απορροφητήρας διαθέτει ειδικό καλώδιο τροφοδοσίας (τύπου H05 VV-F). Σε περίπτωση που υποστεί ζημιά, ζητήστε την αντικατάστασή του από την υπηρεσία τεχνικής υποστήριξης.

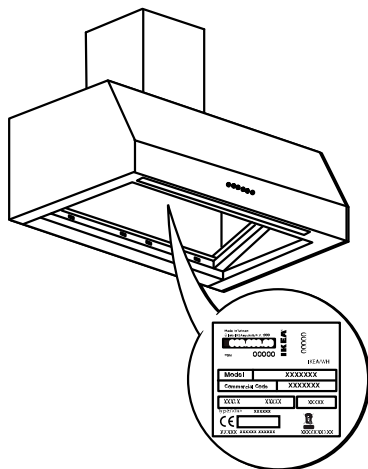
Εάν δεν διαθέτει φως (απευθείας καλωδίωση στο ηλεκτρικό ρεύμα), ή εάν η πρίζα δεν βρίσκεται σε προσβάσιμο

σημείο, εγκαταστήστε έναν τυποποιημένο διπολικό διακόπτη που να επιτρέπει την πλήρη απομόνωση από το δίκτυο σε περίπτωση υπέρτασης κατηγορίας III, σύμφωνα με του κανονισμούς καλωδίωσης.

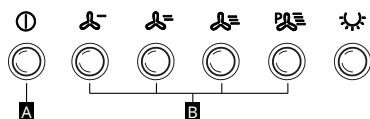
⚠ ΠΡΟΕΙΔΟΠΟΙΗΣΗ: Μην πραγματοποιείτε συγκολλήσεις στα καλώδια!

Πινακίδα Στοιχείων

Τα τεχνικά στοιχεία αναγράφονται στην πινακίδα που βρίσκεται στην εσωτερική πλευρά της συσκευής



Πίνακας Ελέγχου



- A** Πλήκτρο Απενεργοποίησης Μοτέρ (OFF)
- B** Πλήκτρο Ενεργοποίησης Μοτέρ (ON)

ΕΓΓΥΗΣΗ ΙΚΕΑ

Ποια είναι η διάρκεια της εγγύησης ΙΚΕΑ?

Η εγγύηση αυτή ισχύει για 5 χρόνια από την ημερομηνία αγοράς/παράδοσης της οικιακής ηλεκτρικής συσκευής σας από ένα κατάστημα ΙΚΕΑ. Είναι απαραίτητη η επίδειξη της πρωτότυπης απόδειξης ως αποδεικτικό έγγραφο που αποδεικνύει

την αγορά. Τυχόν παρεμβάσεις υποστήριξης που πραγματοποιήθηκαν κατά τη διάρκεια της εγγύησης δεν παρατείνουν την ισχύ της.

Ποιος παρέχει την υπηρεσία σέρβις?

Η υπηρεσία υποστήριξης που επιλέγεται και εξουσιοδοτείται από την IKEA θα παρέχει την υπηρεσία μέσω του δικτύου των εξουσιοδοτημένων Συνεργατών Υποστήριξης που διαθέτει.

Τι καλύπτει αυτή η εγγύηση?

Η εγγύηση καλύπτει τα ελαττώματα της οικιακής συσκευής που οφείλονται σε κατασκευαστικό πρόβλημα (λειτουργικό ελάττωμα), από την ημερομηνία αγοράς/ παράδοσης της οικιακής συσκευής. Η εν λόγω εγγύηση ισχύει μόνο όταν γίνεται οικιακή χρήση. Οι εξαιρέσεις περιγράφονται στο ερώτημα «Τι δεν καλύπτει η εγγύηση;». Εντός της περιόδου ισχύος της εγγύησης, τα έξοδα επίσκεψης (ανταλλακτικά, εργατικό δυναμικό και μετακινήσεις του τεχνικού προσωπικού) αναλαμβάνονται

από την υπηρεσία υποστήριξης, υπό την προϋπόθεση ότι η πρόσβαση στη συσκευή για την εκτέλεση της επίσκεψης δεν συνεπάγεται ιδιαίτερες δαπάνες. Οι όροι αυτοί συμμορφώνονται με τις οδηγίες ΕΕ (αρ. 99/44/ΕΚ) και με τους τοπικούς κανονισμούς. Τα εξαρτήματα που αντικαθίστανται αποτελούν ιδιοκτησία της IKEA.

Με ποιον τρόπο η IKEA παρεμβαίνει για να λύσει το πρόβλημα?

Η υπηρεσία υποστήριξης που εξουσιοδοτείται από την IKEA για την εκτέλεση του σέρβις εξετάζει το προϊόν και αποφασίζει, κατά την αποκλειστική της κρίση, εάν το προϊόν καλύπτεται από την εγγύηση. Η Υπηρεσία Υποστήριξης IKEA ή ο εξουσιοδοτημένος Συνεργάτης Υποστήριξης που διαθέτει μέσω των αντίστοιχων Κέντρων Υποστήριξης, κατά την αποκλειστική τους κρίση, θα επισκευάσουν το ελαττωματικό προϊόν ή θα προβούν στην αντικατάστασή του με ένα όμοιο ή ίσης αξίας προϊόν.

Τι δεν καλύπτει η εγγύηση?

- Φυσιολογική φθορά
- Ζημιές που προκαλούνται σκοπίμως, ζημιές που προκαλούνται λόγω μη τήρησης των οδηγιών λειτουργίας, λόγω εσφαλμένης εγκατάστασης ή κατόπιν σύνδεσης σε εσφαλμένη τάση. Ζημιές

που οφείλονται σε χημικές ή ηλεκτροχημικές αντιδράσεις, σκουριά, διάβρωση ή ζημιές που προκαλούνται από νερό, συμπεριλαμβανομένων των ζημιών που προκαλούνται από την παρουσία υπερβολικών αλάτων στους αγωγούς ύδρευσης. Ζημιές που οφείλονται σε ατμοσφαιρικά και φυσικά φαινόμενα.

- Τα μέρη που υπόκεινται σε φθορά, συμπεριλαμβανομένων των μπαταριών και των λαμπτήρων.
- Ζημιές σε μη λειτουργικά και διακοσμητικά στοιχεία που δεν επηρεάζουν την κανονική χρήση της οικιακής συσκευής, συμπεριλαμβανομένων γρατζουνιών και χρωματικών διαφορών.
- Τυχαιές ζημιές που προκαλούνται από ξένα σώματα ή ουσίες και ζημιές που προκαλούνται από τον καθαρισμό ή την απομάκρυνση εμποδίων από τα φίλτρα, τα συστήματα εξαγωγής ή τις θήκες του απορρυπαντικού.
- Ζημιές στα ακόλουθα μέρη: υαλοκεραμική επιφάνεια, αξεσουάρ, καλάθια για μαχαροπύρωνα και σκεύη, σωλήνες τροφοδοσίας και αποστράγγισης, παρεμβύσματα, λαμπτήρες και καλύμματα λαμπτήρων, σχάρες, λαβές, επένδυση και μέρη της επένδυσης. Εκτός εάν μπορεί να αποδειχθεί ότι οι ζημιές αυτές προκλήθηκαν λόγω σφαλμάτων κατασκευής.
- Περιπτώσεις στις οποίες δεν εντοπίζονται λειτουργικά ελαττώματα κατά τη διάρκεια της επίσκεψης ενός τεχνικού.
- Επίσκευές που δεν έχουν πραγματοποιηθεί από την εξουσιοδοτημένη Υπηρεσία Υποστήριξης που διαθέτουμε ή/και από τον εξουσιοδοτημένο βάσει σύμβασης Συνεργάτη Υποστήριξης ή σε περίπτωση χρήσης μη γνώσιων ανταλλακτικών.
- Επίσκευές που απαιτούνται λόγω μη σωστής εγκατάστασης ή εγκατάστασης που δεν συμμορφώνεται με τις απαιτήσεις.
- Περιπτώσεις μη κατάλληλης ή/και μη οικιακής χρήσης της συσκευής, π.χ. για επαγγελματική χρήση.

- Ζημιές λόγω μεταφοράς. Σε περίπτωση που ο πελάτης αναλαμβάνει τη μεταφορά του προϊόντος στην οικία του ή σε άλλη διεύθυνση, η ΙΚΕΑ δεν ευθύνεται για τυχόν ζημιές που μπορεί να προκύψουν κατά τη διάρκεια της μεταφοράς. Από την άλλη πλευρά, σε περίπτωση που η ΙΚΕΑ αναλαμβάνει τη μεταφορά του προϊόντος στη διεύθυνση του πελάτη, τυχόν ζημιές που προκαλούνται στο προϊόν κατά τη διάρκεια της παράδοσης καλύπτονται από την ΙΚΕΑ.
- Δαπάνες που αφορούν την αρχική εγκατάσταση της οικιακής συσκευής ΙΚΕΑ. Ωστόσο, σε περίπτωση που ένας πάροχος υπηρεσιών ΙΚΕΑ ή ένας εξουσιοδοτημένος συνεργάτης της επισκευάσει ή αντικαταστήσει τη συσκευή όπως ορίζει η παρούσα εγγύηση, ο πάροχος ή ο εξουσιοδοτημένος συνεργάτης θα εγκαταστήσουν εκ νέου την επιδιορθωμένη συσκευή ή θα εγκαταστήσουν τη νέα συσκευή λόγω αντικατάστασης, εφόσον είναι απαραίτητο. Οι περιορισμοί αυτοί δεν ισχύουν στην περίπτωση τακτικών εργασιών που διεξάγονται από ειδικευμένο τεχνικό προσωπικό με γνήσια ανταλλακτικά για την προσαρμογή της συσκευής στις τεχνικές διατάξεις ασφαλείας μιας άλλης χώρας της ΕΕ.

Εφαρμογή της εθνικής νομοθεσίας

Ο πελάτης είναι δικαιούχος των δικαιωμάτων που προβλέπονται από το Ν.Δ. αρ.206/2005, και η παρούσα εγγύηση ΙΚΕΑ 5 (πέντε) ετών δεν επηρεάζει τα εν λόγω δικαιώματα που πληρούν ή επεκτείνουν τα ελάχιστα νομικά δικαιώματα κάθε χώρας όσον αφορά την εγγύηση. Οι όροι αυτοί ωστόσο δεν περιορίζουν με οποιονδήποτε τρόπο τα δικαιώματα του καταναλωτή που ορίζουν οι τοπικές νομοθεσίες.

Τόπος ισχύος

Για τις οικιακές ηλεκτρικές συσκευές που αγοράζονται σε μια από τις χώρες της ΕΕ και μεταφέρονται σε μια άλλη χώρα της ΕΕ, οι υπηρεσίες θα παρέχονται με βάση τους όρους της εγγύησης που ισχύουν στη νέα χώρα. Η υποχρέωση παροχής σέρβις με βάση τους όρους της εγγύησης

υπάρχει μόνο εάν η οικιακή ηλεκτρική συσκευή συμμορφώνεται και εγκαθίσταται σύμφωνα με:

- τις τεχνικές προδιαγραφές της χώρας στην οποία ζητείται η εφαρμογή της εγγύησης,
- τις πληροφορίες σχετικά με την ασφάλεια που περιέχονται στις Οδηγίες συναρμολόγησης και στο Εγχειρίδιο χρήστη.

Ειδική υπηρεσία ΥΠΟΣΤΗΡΙΞΗΣ για τις συσκευές ΙΚΕΑ

Μη διστάσετε να επικοινωνήσετε με το Εξουσιοδοτημένο Κέντρο Υποστήριξης που ορίζεται από την ΙΚΕΑ για:

- να ζητήσετε τεχνική υποστήριξη κατά τη διάρκεια της εγγύησης
- να ζητήσετε πληροφορίες σχετικά με τη λειτουργία των οικιακών ηλεκτρικών συσκευών ΙΚΕΑ.

Για να εξασφαλίσετε την καλύτερη δυνατή εξυπηρέτηση διαβάστε προσεκτικά τις οδηγίες συναρμολόγησης ή/και το εγχειρίδιο οδηγιών του προϊόντος προτού επικοινωνήσετε μαζί μας.

Πώς να επικοινωνήσετε μαζί μας σε περίπτωση που χρειάζεστε υποστήριξη



Καλέστε τον τηλεφωνικό αριθμό του κέντρου υποστήριξης ΙΚΕΑ που αναφέρεται στην τελευταία σελίδα του παρόντος εγχειριδίου.

i Για πιο γρήγορη εξυπηρέτηση, συνιστάται να χρησιμοποιείτε τους τηλεφωνικούς αριθμούς που περιέχονται στο παρόν εγχειρίδιο. Αναφέρετε πάντα τους αριθμούς που περιέχονται στο εγχειρίδιο της συσκευής για την οποία χρειάζεστε υποστήριξη. Συνιστάται να έχετε πάντα διαθέσιμο τον κωδικό ΙΚΕΑ (8 ψηφία) και τον 12ψήφιο κωδικό που αναγράφονται στην ετικέτα του προϊόντος σας.

**ⓘ ΦΥΛΑΞΤΕ ΤΟ ΑΠΟΔΕΙΚΤΙΚΟ ΑΓΟΡΑΣ/
ΠΑΡΑΔΟΣΗΣ!**

Αποτελεί απόδειξη για την αγορά σας και είναι απαραίτητη η προσκόμισή του προκειμένου να έχει ισχύ η εγγύηση. Στην απόδειξη αναγράφεται επίσης το όνομα και ο κωδικός προϊόντος ΙΚΕΑ (8 ψηφία) για κάθε συσκευή που αγοράσατε.

Χρειάζεστε περαιτέρω βοήθεια?

Για οποιαδήποτε πληροφορία που δεν αφορά θέματα υποστήριξης απευθυνθείτε στο Τμήμα Εξυπηρέτησης Πελατών του καταστήματος ΙΚΕΑ. Προτού επικοινωνήσετε μαζί μας, διαβάστε προσεκτικά τα τεχνικά έγγραφα που συνοδεύουν την οικιακή ηλεκτρική συσκευή.

Veiligheidsinstructies

i Vóór het eerste gebruik

Lees, voor uw eigen veiligheid en voor een correcte werking van het apparaat, deze handleiding aandachtig door vóór installatie en inbedrijfstelling. Bestudeer de waarschuwingsafbeeldingen aan het begin van deze handleiding aandachtig. Raadpleeg voor een correcte en volledige installatie de specifieke installatiehandleiding die bij het product is geleverd.

Bewaar deze instructies altijd bij het apparaat, ook in geval van overdracht aan derden. Het is belangrijk dat alle gebruikers alle werkings- en veiligheidskenmerken van het apparaat kennen.

⚠ Dit is het symbool voor gevaar in verband met de veiligheid, dat waarschuwt voor mogelijke risico's voor de gebruiker en anderen.

Alle meldingen betreffende de veiligheid worden voorafgegaan door het gevaarsymbool en de volgende termen:

⚠ GEVAAR: geeft een gevaarlijke situatie aan die, indien niet vermeden, ernstig letsel veroorzaakt.

⚠ WAARSCHUWING: geeft een gevaarlijke situatie aan die, indien niet vermeden, ernstig letsel kan veroorzaken.

Alle veiligheidswaarschuwingen geven specifieke details over het mogelijke gevaar in kwestie en advies over hoe het risico te beperken op letsel, schade en elektrische schokken als gevolg van onjuist gebruik van de apparatuur. Volg de volgende instructies aandachtig op.

- Controleer het apparaat op transportschade
- Verwijder kartonnen hoezen, beschermfolies en zelfklevende etiketten van de accessoires.
- De installatie en de elektrische aansluiting moeten worden uitgevoerd door een gekwalificeerde technicus, volgens de instructies van de fabrikant en con-

form de plaatselijke veiligheidsvoorschriften. Vervang of repareer geen onderdelen van het apparaat als dit niet uitdrukkelijk in de gebruiksaanwijzing wordt aanbevolen.

- Voordat er enige handeling voor installatie wordt uitgevoerd, moet het apparaat worden losgekoppeld van het elektriciteitsnet.
- **⚠ WAARSCHUWING:** het niet installeren van schroeven of bevestigingsmiddelen volgens deze instructies kan leiden tot elektrisch gevaar.
- De aarding van het apparaat is wettelijk verplicht. (Niet mogelijk voor afzuigkappen van klasse II, herkenbaar aan het symbool  op het typeplaatje).
- Trek niet aan de voedingskabel van het apparaat om het uit het stopcontact te halen.
- Na het voltooiën van de installatie mogen de elektrische onderdelen niet bereikbaar zijn voor de gebruiker.
- Raak het apparaat niet aan met natte lichaamsdelen en gebruik het niet met blote voeten.
- Dit apparaat mag worden gebruikt door kinderen van ouder dan 8 jaar en door personen met beperkte fysieke, zintuiglijke of mentale vermogens of met onvoldoende ervaring en kennis, mits dit onder toezicht gebeurt of indien ze instructies hebben ontvangen over het veilige gebruik van het apparaat en de betreffende risico's begrijpen. Kinderen moeten gecontroleerd worden om ervoor te zorgen dat ze niet met het apparaat spelen. Routinematige reiniging en onderhoud mogen niet door kinderen worden uitgevoerd zonder toezicht van een volwassene.
- Alle andere onderhoudsbeurten moeten worden uitgevoerd door een gespecialiseerde technicus.
- Let bij het boren van gaten in de muur op dat u de elektrische aansluitingen en/of leidingen niet beschadigt.

- Ventilatie-openingen moeten altijd naar de buitenlucht worden afgevoerd.
- De fabrikant aanvaardt geen aansprakelijkheid voor schade die is veroorzaakt door ondeskundig gebruik of onjuiste instellingen.
- Geschikt onderhoud en reiniging zorgen voor een goede werking en optimale prestatie van het apparaat. Reinig regelmatig al het hardnekkige vuil op het oppervlak om te voorkomen dat zich vet ophoopt. Verwijder en reinig of vervang het filter regelmatig. Volg hiervoor de aanwijzingen die zijn aangegeven in "Reiniging en onderhoud".
- Kook geen voedsel met een vlam ("flambé") onder het apparaat. Het gebruik van open vuur kan brand veroorzaken.
- Het niet opvolgen van de instructies voor het reinigen van de kap en het vervangen en reinigen van de filters leidt tot brandgevaar.
- Afvoerlucht mag niet worden afgevoerd in een leiding die wordt gebruikt voor de afvoer van rook afkomstig van apparaten die gas of andere brandstoffen verbranden, maar moet een onafhankelijke afvoer hebben.
- Alle nationale voorschriften inzake lucht-afvoer moeten worden nageleefd.
- Er moet een geschikte ventilatie aanwezig zijn als de afzuigkap wordt gebruikt in combinatie met andere apparaten die op gas of andere brandstoffen werken. De onderdruk in de ruimte mag niet hoger zijn dan 4 Pa (4 x 10⁻⁵ bar). Zorg er daarom voor dat de ruimte goed geventileerd is. Neem in geval van twijfel contact op met een erkend servicecentrum of een gekwalificeerde deskundige.
- Laat geen pannen onbeheerd op het fornuis staan tijdens het bakken van voedsel, aangezien de olie die voor het bakken wordt gebruikt kan ontbranden.
- Controleer, alvorens de lampjes aan te raken, of ze zijn afgekoeld.
- Gebruik de afzuigkap niet en laat deze niet achter zonder dat het lampje correct is gemonteerd, aangezien dit een elektrische schok kan veroorzaken.
- De kap is geen steunvlak, dus plaats er geen voorwerpen op en overbelast hem niet.
- Gebruik tijdens de handelingen voor installatie en onderhoud altijd geschikte werkhandschoenen.
- Het apparaat is niet geschikt voor extern gebruik.

⚠ WAARSCHUWING: wanneer de kookplaat in werking is, kunnen de toegankelijke delen van de afzuigkap heet worden.

⚠ WAARSCHUWING: dit apparaat is zwaar; de afzuigkap mag alleen door twee of meer personen worden opgetild en geïnstalleerd. De minimumafstand tussen de kookplaat en de onderkant van de afzuigkap mag niet minder dan 65 cm voor kookplaten met gas- of andere branders en 50 cm voor elektrische kookplaten zijn. Controleer vóór de installatie ook de minimumafstanden die in de handleiding van de kookplaat zijn vermeld. Indien er in de installatie-instructies van de kookplaat een grotere afstand wordt aangegeven, moet deze afstand in acht worden genomen.

Installatie

De afzuigkap is ontworpen om te worden geïnstalleerd en gebruikt in de modus "afzuiging" of "recirculatie".

Versie met afzuiging (zie het symbool



in de installatiehandleiding)

De kookstoom wordt aangezogen en via een afvoerslang (niet meegeleverd) die is aangesloten op de uitlaat van de afzuigkap, naar buiten gevoerd.

Zorg ervoor dat de afvoerslang correct in de luchtuitlaat wordt gemonteerd met een geschikt verbindingssysteem.

Belangrijk: verwijder het (de) koolstoffilter(s), indien reeds geïnstalleerd.

Versie met recirculatielucht

(zie het symbool  in de installatiehandleiding)

De lucht wordt gefilterd door één of meerdere filters en vervolgens teruggevoerd in de ruimte.

Belangrijk: zorg voor een goede circulatie van de lucht rondom de afzuigkap.

Belangrijk: als de afzuigkap niet met koolstoffilters wordt geleverd, moeten deze worden besteld en gemonteerd voordat het apparaat in gebruik wordt genomen. De filters zijn verkrijgbaar in de IKEA-winkels.

De afzuigkap moet ver van bijzonder vuile plaatsen, ramen, deuren en warmtebronnen worden geïnstalleerd. Wandbevestigingsaccessoires zijn niet inbegrepen, aangezien er voor muren van verschillende materialen verschillende soorten bevestigingsaccessoires nodig zijn. Gebruik bevestigingsystemen die geschikt zijn voor de muren van uw woning en het gewicht van het apparaat. Neem voor meer details contact op met een gespecialiseerde dealer. Bewaar deze instructies voor toekomstige raadpleging.

Adviezen voor het behoud van het milieu

Het verpakkingsmateriaal

De verpakking is 100% recyclebaar en is

voorzien van het recyclingsymbool 

De verschillende delen van de verpakking mogen daarom niet in het milieu terecht komen, maar moeten worden verwijderd in overeenstemming met de door de voorschriften die zijn vastgesteld door de plaatselijke autoriteiten.

Het op het product of op de begeleidende

papieren aangegeven symbool  geeft aan dat dit product niet behandeld mag worden als huishoudelijk afval, maar ingeleverd moet worden bij een erkend inzamelpunt voor de recycling van elektrische en elektronische apparaten.

Reiniging en onderhoud

WAARSCHUWING

- Koppel de afzuigkap los van de stroomvoorziening
- Reinig de oppervlakken met een vochtige doek. Voeg, als het zeer vuil is, enkele druppels afwasmiddel toe aan het water. Droog af met een droge doek.
- Gebruik geen gereedschap of andere instrumenten voor de reiniging.
- Vermijd het gebruik van stoomreinigers

BELANGRIJK: gebruik geen bijtende of schurende reinigingsmiddelen. Als een van deze producten onbedoeld in contact komt met het apparaat, reinig het dan onmiddellijk met een vochtige doek.

Gebruik specifieke reinigingsmiddelen om het apparaat te reinigen en volg de instructies van de fabrikant op.

Gebruik geen schuursponsjes, schuurmiddelen of metalen schrapers. Deze kunnen op de lange termijn het oppervlak beschadigen

BELANGRIJK: reinig de vetfilters ten minste één keer per maand om olie- of vetresten te verwijderen.

Het wassen van het vetfilter

Het metalen vetfilter heeft een onbeperkte levensduur en moet één keer per maand met de hand of in de afwasmachine worden gewassen op lage temperatuur en met een kort programma.

Als het vetfilter in de afwasmachine wordt gewassen, kan het enigszins verkleuren, maar de filtereigenschappen veranderen zeker niet.

Onderhoud van het koolstoffilter.

Het geurfilter moet om de 3-4 maanden worden gewassen en geregenereerd (of vaker als de afzuigkap intensief wordt gebruikt), tot een maximum van 8 regeneratiecycli (bij zeer intensief gebruik worden maximaal 5 cycli aangeraden).

Regeneratieprocedure

- Afwassen in de afwasmachine bij een maximumtemperatuur van 70°C, of met de hand in warm water zonder gebruik van schuursponsjes (geen reinigingsmiddelen gebruiken!)

- Drogen in een oven bij een maximumtemperatuur van 70°C gedurende 2 uur, of laten drogen bij kamertemperatuur, waarbij het filter verticaal moet worden geplaatst om de waterafvoer te vergemakkelijken.

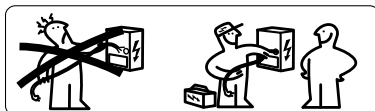
Onderhoud van de lampen

De afzuigkap is uitgerust met een ledverlichtingssysteem.

De leds garanderen een optimale verlichting, hebben een 10 keer langere levensduur dan traditionele lampen en zorgen voor een energiebesparing van 90%.

Neem voor de vervanging contact op met het erkende servicecentrum.

Elektrische aansluiting



⚠ WAARSCHUWING: Alle elektrische aansluitingen moeten worden uitgevoerd door een geautoriseerde installateur. Controleer of de spanning zoals aangegeven op het typeplaatje van het product overeenkomt met de netspanning.

Deze informatie is aangegeven aan de binnenkant van de afzuigkap, onder het vetfilter.

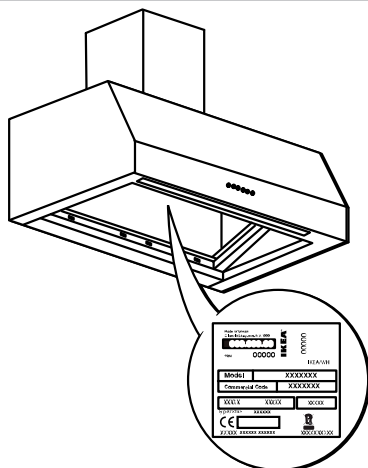
⚠ WAARSCHUWING: Indien de afzuigkap is voorzien van een stekker, moet het apparaat worden aangesloten op een stopcontact dat voldoet aan de huidige normen en dat zich op een toegankelijke plaats bevindt. De afzuigkap is voorzien van een speciale voedingskabel (type H05 VV-F); indien deze beschadigd is moet deze worden aangevraagd bij het technische assistentiecentrum.

Indien het apparaat niet is voorzien van een stekker (rechtstreekse aansluiting op het elektriciteitsnet), of indien het stopcontact zich niet in een toegankelijke zone bevindt, installeert u een genormaliseerde tweepolige schakelaar die het elektriciteitsnet volledig isoleert in geval van overspanning van categorie III, in overeenstemming met de bedravingsvoorschriften.

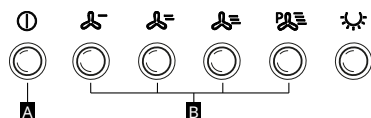
⚠ WAARSCHUWING: Voer geen soldeerwerkzaamheden uit aan de kabel!

Gegevensplaatje

De technische gegevens staan op het typeplaatje aan de binnenkant van het apparaat



Bedieningspaneel



- A** Toets motor OFF
- B** Toets motor ON

GARANTIE IKEA

Hoe lang duurt de garantie van IKEA?

Deze garantie is geldig gedurende 5 jaar vanaf de datum van aankoop/levering van uw apparaat bij een IKEA-winkel. Het is verplicht om het originele aankoopbewijs te tonen als bewijs van aankoop.

Onderhoud dat tijdens de garantieperiode wordt uitgevoerd, verlengt de geldigheid van de garantie niet.

Wie verleent de dienst?

Het assistentiecentrum dat door IKEA geselecteerd en geautoriseerd is zal de dienst verlenen via zijn netwerk van erkende assistentiepartners.

Wat dekt deze garantie?

De garantie dekt de defecten aan het apparaat die het gevolg zijn van fabricagefouten (functioneel defect), vanaf

de datum van aankoop/levering van het apparaat. Deze garantie geldt alleen voor huishoudelijk gebruik. Uitzonderingen worden beschreven onder "Wat wordt niet gedekt door de garantie?". Tijdens de garantieperiode worden de reparatiekosten

(reserveonderdelen, arbeidsloon en reiskosten van technisch personeel) gedragen

door het assistentiecentrum, mits de toegang tot de apparatuur voor reparatiewerkzaamheden geen bijzondere kosten met zich meebrengt. Deze voorwaarden zijn conform de EU-richtlijnen (nr. 99/44/EG) en de plaatselijke voorschriften. De vervangen onderdelen worden eigendom van IKEA.

Hoe treedt IKEA op om het probleem op te lossen?

Het assistentiecentrum die door IKEA is aangesteld om voor het verlenen van assistentie zal het product onderzoeken en naar eigen oordeel beslissen of het product gedekt is door de garantie. Het assistentiecentrum van IKEA of zijn geautoriseerde assistentiepartner zal naar eigen inzicht het defecte product herstellen of het vervangen door een product van gelijke of gelijkwaardige waarde.

Wat wordt niet gedekt door de garantie?

- Normale slijtage
- Schade die opzettelijk is veroorzaakt of die is veroorzaakt door het niet in acht nemen van de gebruiksaanwijzing, door onjuiste installatie of als gevolg van aansluiting op een verkeerde spanning. Schade die is veroorzaakt door chemische of elektrochemische reacties, roest of corrosie of waterschade, inclusief schade die is veroorzaakt door overmatige kalkaanslag in waterleidingen. Schade die is veroorzaakt door weersomstandigheden en natuurrampen.
- Verbruiksartikelen, waaronder accu's en lampjes.
- Schade aan niet-functionele en decoratieve onderdelen die geen invloed hebben op het normale gebruik van het apparaat, inclusief krassen en kleurverschillen.
- Accidentele schade die is veroorzaakt door vreemde voorwerpen of stoffen en schade die is veroorzaakt door reiniging of verwijdering van verstoppingen van filters, afvoersystemen of wasmiddelladen.
- Schade aan de volgende onderdelen: keramische kookplaat, accessoires, bestek- en serviesmanden, aan- en afvoerleidingen, pakkingen, lampjes en lampkappen, roosters, knoppen, bekleding en delen van de bekleding. Tenzij er kan worden bewezen dat deze schade het gevolg is van fabricagefouten.

- Gevallen waarin tijdens een bezoek van een technicus geen functionele defecten worden vastgesteld.
- Reparaties die niet zijn uitgevoerd door ons geautoriseerde assistentiecentrum en/of een geautoriseerde contractuele assistentiepartner of bij gebruik van niet-originele reserveonderdelen.
- Reparaties veroorzaakt door onjuiste installatie of installatie niet conform aan de specificaties.
- Gevallen van oneigenlijk en/of niet-huishoudelijk gebruik van het apparaat, bijv. professioneel gebruik.
- Transportschade. Indien de klant het product naar zijn/haar woning of een ander adres vervoert, is IKEA niet aansprakelijk voor eventuele schade die tijdens het transport kan ontstaan. Indien IKEA daarentegen het product vervoert naar het adres van de klant, wordt alle schade die tijdens de levering aan het product ontstaat, gedekt door IKEA.
- Kosten voor de eerste installatie van het apparaat van IKEA. Indien een dienstverlener van IKEA of zijn/haar geautoriseerde partner het apparaat repareert of vervangt binnen de voorwaarden van deze garantie, zal de dienstverlener of geautoriseerde partner het gerepareerde apparaat opnieuw installeren of indien nodig het vervangende apparaat installeren. Deze beperkingen zijn niet van toepassing op reguliere werkzaamheden die door gekwalificeerd technisch personeel met originele reserveonderdelen worden uitgevoerd om het apparaat aan te passen aan de technische veiligheidsvoorschriften van een ander EU-land.

Toepassing van nationale wetten

De klant is in het bezit van de rechten zoals vastgelegd in het Wetsdecreet nr. 206/2005 en de betreffende IKEA-garantie van 5 (vijf) jaar doet geen afbreuk aan deze rechten die voldoen aan of een uitbreiding zijn van de minimale wettelijke rechten van elk land op het gebied van garantie. Ze

beperken op geen enkele manier de rechten van de consument zoals gedefinieerd door de lokale wetgeving.

Garantiegebied

Voor apparaten die in een EU-land zijn gekocht en naar een ander EU-land worden gebracht, wordt assistentie verleend volgens de garantievoorwaarden die in het nieuwe land gelden. De verplichting tot het verlenen van assistentie volgens de garantievoorwaarden geldt enkel indien het apparaat voldoet aan en geïnstalleerd is volgens:

- de technische specificaties van het land waar om toepassing van de garantie wordt verzocht;
- de veiligheidsinformatie in de installatie-instructies en de gebruikershandleiding.

Het ASSISTENTIEcentrum speciaal voor apparatuur van IKEA

Aarzel niet om contact op te nemen met het geautoriseerde assistentiecentrum dat door IKEA is aangewezen:

- aanvragen van technische assistentie gedurende de garantieperiode
- aanvragen van informatie over de werking de apparaten van IKEA.

Om u de beste assistentie te garanderen, vragen wij u om de montage-instructies en/of de gebruiksaanwijzing van het product zorgvuldig te lezen voordat u contact met ons opneemt.

Hoe kunt u contact met ons opnemen voor assistentie



Neem contact op met het nummer van het assistentiecentrum van IKEA, te vinden op de laatste pagina van deze handleiding.

assistentie nodig hebt. We raden u aan om altijd de 8-cijferige IKEA code en de 12-cijferige code van het etiket op uw product bij de hand te houden.

BEWAAR HET AANKOOP-/LEVERINGSDOCUMENT!

Dit is het bewijs van uw aankoop en moet worden getoond om de garantie geldig te maken. De naam en het IKEA artikelnummer (8 cijfers) van elk aangekocht apparaat staan tevens op de kassabon.

Heeft u meer hulp nodig?

Voor alle niet-servicegerelateerde informatie kunt u terecht bij de klantenservice van de betreffende IKEA-winkel. Lees de technische documentatie van het apparaat zorgvuldig door voordat u contact met ons opneemt.

i Om u sneller van dienst te kunnen zijn, raden wij u aan de telefoonnummers te gebruiken die zijn vermeld in deze handleiding. Raadpleeg altijd de nummers in de handleiding van het apparaat waarvoor u

Sikkerhedsvejledning

i Før brug

For egen sikkerhed og for at apparatet fungerer korrekt, bedes man læse denne vejledning omhyggeligt før installation og idriftsættelse. Se omhyggeligt på advarselsbillederne i starten af denne vejledning. For en korrekt og komplet installation henvises til den specifikke installationsvejledning, der følger med produktet.

Opbevar altid denne vejledning sammen med apparatet, også i tilfælde af salg eller overdragelse til tredjepart. Det er vigtigt, at brugerne kender alle apparatets betjenings- og sikkerhedsfunktioner.

⚠ Dette er faresymbolet, relateret til sikkerhed, som advarer om potentielle risici for brugeren og for andre.

Alle sikkerhedsmeddelelser vil blive indledt af faresymbolet og følgende udtryk:

⚠ FARE: Angiver en farlig situation, som, hvis den ikke undgås, vil resultere i alvorlig personskade.

⚠ ADVARSEL: Angiver en farlig situation, som, hvis den ikke undgås, kan resultere i alvorlig personskade.

Alle sikkerhedsadvarsler giver specifikke detaljer om den mulige fare, der er til stede, samt indikationer om, hvordan man kan reducere risikoen for personskade, beskadigelse og elektrisk stød som følge af ukorrekt brug af apparatet. Overhold de følgende instruktioner omhyggeligt.

- Kontroller, at apparatet ikke har transportkader
- Fjern papbeskyttere, beskyttelsesfilm og selvklæbende etiketter fra tilbehør.
- Installation og elektrisk tilslutning skal udføres af en kvalificeret tekniker i henhold til producentens instruktioner og i overensstemmelse med lokale sikkerhedsbestemmelser. Reparér eller udskift ikke nogen del af apparatet, medmindre det specifikt anbefales i brugervejledningen.

- Inden der foretages et hvilket som helst installationsindgreb, skal apparatets strømforsyning afbrydes.
- **⚠ ADVARSEL:** Manglende montering af skruer eller fastgørelsesanordninger i overensstemmelse med disse instruktioner kan resultere i elektriske farer.
- Det er lovpligtigt og obligatorisk at tilslutte apparatet til jordforbindelsen. (Ikke muligt for klasse II emhætter identificeret med symbolet  på typeskiltet).
- Træk ikke i apparatets strømledning for at tage det ud af stikkontakten.
- Når installationen er fuldført, må ingen af de elektriske komponenter være tilgængelige for brugeren.
- Rør ikke ved apparatet med våde dele af kroppen, og brug det ikke med bare fødder.
- Dette apparat kan kun bruges af børn over 8 år og af personer med nedsatte fysiske, sensoriske eller mentale evner eller med utilstrækkelig erfaring og viden, hvis de er under opsyn, eller hvis de har modtaget instruktioner om sikker brug af apparatet og forstår risici involveret. Det er nødvendigt at holde øje med, at børn ikke leger med apparatet. Rengøring og rutinemæssig vedligeholdelse bør ikke udføres af børn uden opsyn af en voksen.
- Al anden vedligeholdelse skal udføres af en specialiseret tekniker.
- Når man borer i væggen, skal man passe på ikke at beskadige elektriske forbindelser og/eller rør.
- Ventilationsåbningerne skal altid udluftes udendørs.
- Producenten fralægger sig ethvert ansvar for enhver skade forårsaget af forkert brug eller forkerte indstillinger.
- Korrekt vedligeholdelse og rengøring sikrer succes med arbejdet og den bedste ydeevne af apparatet. Rengør regelmæssigt alt genstridigt snavs på over-

fladen for at undgå opbygning af fedt. Fjern og rengør eller skift filteret regelmæssigt. For at gøre dette skal du følge instruktionerne i "Rengøring og vedligeholdelse".

- Tilbered ikke mad over en flamme ("flambé") under apparatet. Brug af åben ild kan forårsage brand.
- Manglende overholdelse af instruktionerne for rengøring af emhætten og for udskiftning og rengøring af filtrene medfører brandfare.
- Udblæsningsluften må ikke ledes ud i en kanal, der bruges til at evakuere røg fra apparater, der brænder gas eller andre brændstoffer, men skal have et selvstændigt udløb.
- Alle nationale regler vedrørende luftudledning skal overholdes.
- Der skal være tilstrækkelig ventilation til stede, hvis emhætten bruges sammen med andre apparater, der bruger gas eller andre brændstoffer. Rummets undertryk må ikke overstige 4 Pa (4 x 10⁻⁵ bar). Af denne grund skal du sørge for, at rummet er godt ventileret. Hvis man er i tvivl, skal man kontakte et autoriseret servicecenter eller en kvalificeret fagmand.

- Lad ikke pander stå på kogepladen uden opsyn, mens du steger mad, da olien, der bruges til stegningen, kan antændes.
- Rør ikke ved lamperne, før de er afkølet.
- Brug eller efterlad ikke emhætten uden at pæren er korrekt monteret, da dette kan forårsage elektrisk stød.
- Emhætten er ikke en støtteflade, så anbring ikke genstande på den eller overbelast den.
- Til alle installations- og vedligeholdelsesindgreb anvendes arbejdshandsker.
- Enheden er ikke egnet til udendørs brug.

⚠ ADVARSEL: Når kogepladen er i drift, kan de tilgængelige dele af emhætten blive varme.

⚠ ADVARSEL: Dette apparat er tungt; emhætten må kun løftes og monteres af to eller flere personer. Minimumsafstanden mellem kogepladen og den nederste del af emhætten må ikke være mindre end 65 cm blandet for kogeplader med gas- eller andre brændselsbrændere og 50 cm for elektriske kogeplader. Inden installation kontrolleres også de minimumsafstande, der er angivet i kogepladens manual. Hvis der er angivet en større afstand i kogepladens monteringsvejledning, skal denne afstand overholdes.

Installation

Emhætten er designet til at blive installeret og brugt i "suge" eller "recirkulation" tilstand.

Sugeversion (se symbolet i monteringsvejledningen)

Kogedampen suges ind og ledes uden for huset gennem et aftræksrør (medfølger ikke), der er forbundet med emhættens dampudløb.

Sørg for, at udstødningsrøret er monteret korrekt i luftudtaget med et passende tilslutningssystem.

Vigtigt: Hvis det allerede er installeret, skal du fjerne kulfilteret/erne.

Luftrecirkulationsversion

(se symbolet i monteringsvejledningen)

Luften filtreres gennem et eller flere filtre og ledes derefter tilbage til rummet.

Vigtigt: Sørg for, at der er ordentlig luftcirkulation omkring emhætten.

Vigtigt: Hvis emhætten ikke leveres med kulfiltre, skal de bestilles og samles, før apparatet tages i brug. Filtre fås i IKEA varehuse.

Emhætten skal monteres væk fra særligt snavsede områder, vinduer, døre og varmekilder.


Vægmonteringstilbehør er ikke inkluderet, fordi forskellige materialer til vægge kræver forskellige typer af monteringstilbehør. Brug

fastgørelsessystemer, der passer til dit hjemmes vægge og vægten af apparatet. Kontakt en specialforhandler for flere detaljer.


Gem disse instruktioner til fremtidig reference.

Råd til at beskytte miljøet

Emballagen

Emballagen er 100 % genanvendelig og er mærket med genbrugssymbolet 

De forskellige dele af emballagen må derfor ikke spredes i miljøet, men bortskaffes i overensstemmelse med reglerne fastsat af lokale myndigheder.

Symbolet  på apparatet og den medfølgende dokumentation angiver, at dette produkt ikke må behandles som husholdningsaffald. Det skal afleveres til indsamlingspunkter, som er godkendt til indsamling og genbrug af elektriske og elektroniske apparater.

Rengøring og vedligeholdelse

ADVARSEL

- Afbryd emhætten fra strømforsyningen
- Rengør overfladerne med en fugtig klud. Hvis det er meget snavset, tilsæt et par dråber opvaskemiddel til vandet. Tør af med en tør klud.
- Brug ikke redskaber eller andre værktøjer til rengøring.
- Undgå brug af dampstrålerensere

VIGTIGT: Brug ikke ætsende eller slibende rengøringsmidler. Hvis et af disse produkter ved et uheld skulle komme i kontakt med apparatet, skal det straks rengøres med en fugtig klud.

Brug specifikke rengøringsmidler til at rengøre apparatet og følg producentens instruktioner.

Brug ikke slibesvampe, ståluld eller metalskrabere. På sigt kan de skade overfladen

VIGTIGT: Rengør fedtfilterne mindst en gang om måneden for at fjerne resterende olie eller fedt.

For at vaske fedtfilteret

Metalfedtfilteret har en ubegrænset levetid og skal vaskes en gang om måneden i hånden eller i opvaskemaskinen ved lave temperaturer og på et kort program.

Fedtfilteret kan blive lidt misfarvet, når det vaskes i opvaskemaskinen, men dets filtreringsegenskaber ændres overhovedet ikke.

Vedligeholdelse af kulfilter.

Lugtfilteret skal vaskes og regenereres hver 3.-4. måned (eller oftere, hvis emhætten er genstand for intensiv brug), op til maksimalt 8 regenereringscyklusser (ved særligt intens brug anbefales det ikke at overskride 5 cyklusser).

Regenereringsprocedure

- Vask i opvaskemaskinen ved en maksimal temperatur på 70 °C eller i hånden i varmt vand uden brug af slibesvampe (brug ikke rengøringsmidler!)
- Tør i ovnen ved en maksimal temperatur på 70 °C i 2 timer, eller lad det tørre ved stuetemperatur, og anbring filteret i en lodret position for at lette vandstrømmen.

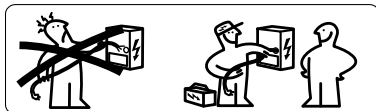
Vedligeholdelse af pærer

Emhætten er udstyret med et LED lyssystem.

LED'er garanterer optimal belysning, en varighed op til 10 gange længere end traditionelle pærer og giver mulighed for 90% elbesparelse.

Kontakt det autoriserede servicecenter for udskiftning.

Elektrisk tilslutning



⚠ ADVARSEL: Alle elektriske tilslutninger skal udføres af en autoriseret installatør. Kontroller, at spændingen angivet på produktskiltet er den samme som netspændingen.

Denne information er angivet inde i emhætten, under fedtfilteret.

⚠ ADVARSEL: Hvis emhætten er udstyret med et stik, skal du tilslutte apparatet til en stikkontakt i overensstemmelse med gældende regler, placeret i et tilgængeligt område.

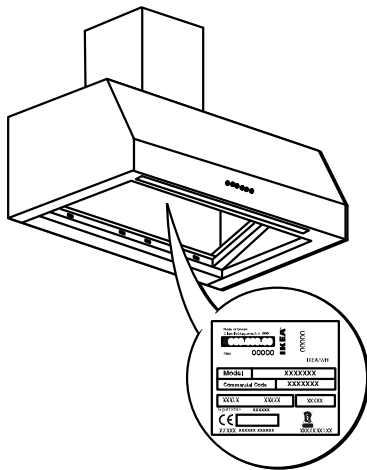
Emhætten er udstyret med et specielt strøm-kabel (type H05 VV-F); i tilfælde af skade, anmod den tekniske assistancetjeneste.

Hvis den ikke er udstyret med et stik (direkte ledning til el-nettet), eller hvis stikkontakten ikke er i et tilgængeligt område, skal du installere en standardiseret bipolær kontakt, der tillader fuldstændig isolering fra el-nettet i tilfælde af en kategori III overspænding, i overensstemmelse med ledningerne.

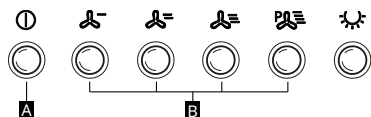
⚠ ADVARSEL: Svejs ikke på kablerne!

Dataplade

De tekniske data er vist på skiltet på indersiden af apparatet



Kontrolpanel



A OFF-knap motor

B ON-knap motor

IKEAS GARANTI

Hvor længe varer IKEAs garanti?

Denne garanti er gyldig i 5 år fra datoen for køb/levering af dit apparat i en IKEA varehus. Det er nødvendigt at vise den originale kvittering som et dokument, der beviser købet. Eventuelle serviceindgreb, der udføres under garantien, forlænger ikke dens gyldighed.

Hvem leverer tjenesten?

Den af IKEA udvalgte og autoriserede assistanceservice vil levere servicen gennem sit netværk af autoriserede servicepartnere.

Hvad dækker denne garanti?

Garantien dækker apparatfejl forårsaget af fabriktionsfejl (funktionsfejl), fra datoen for køb/levering af apparatet. Denne garanti gælder kun for husholdningsbrug. Undtagelserne er beskrevet under "Hvad er ikke dækket af garantien?". I garantiperioden er reparationsomkostningerne (reservedele, arbejdskraft og rejser for teknisk personale) vil blive dækket af eftersalgsservice, idet det er underforstået, at adgang til udstyret til reparationer ikke medfører særlige udgifter. Disse betingelser er i overensstemmelse med EU-direktiver (nr. 99/44 / EF) og lokale regler. De udskiftede komponenter bliver IKEAs ejendom.

Hvordan vil IKEA gribe ind for at løse problemet?

Den eftersalgsservice, som IKEA har udpeget til at udføre servicen, vil undersøge produktet og efter eget skøn afgøre, om det er dækket af garantien. IKEAs serviceafdeling eller dens autoriserede servicepartner gennem de

respektive servicecentre vil efter eget skøn enten reparere det defekte produkt eller erstatte det med et produkt af samme eller samme værdi.

Hvad er ikke dækket af garantien?

- Almindelig slid
- Skader forårsaget med vilje, skader forårsaget af manglende overholdelse af betjeningsvejledningen, ved forkert installation eller ved tilslutning til forkert spænding. Skader forårsaget af kemiske eller elektrokemiske reaktioner, rust, korrosion eller vandskade, herunder skader forårsaget af tilstedeværelsen af for meget kalk i vandrør. Skader forårsaget af atmosfæriske og naturlige begivenheder.
- Forbrugsdele, herunder batterier og pærer.
- Skader på ikke-funktionelle og dekorative dele, der ikke påvirker den normale brug af apparatet, herunder ridser og farveforskelle.
- Utilsigtet skade forårsaget af fremmedlegemer eller stoffer og skader forårsaget af rengøring eller fjernelse af forhindringer fra filtre, afløbssystemer eller vaskemiddelskuffer.
- Skader på følgende komponenter: keramisk kogeplade, tilbehør, bestik- og servicekurve, forsynings- og afløbsrør, pakninger, pærer og lampedæksler, gitre, knopper, foring og dele af foringen. Medmindre sådanne skader kan bevises at være forårsaget af fabriktionsfejl.
- Tilfælde, hvor der ikke opdages funktionsfejl under besøg af en tekniker.

- Reparationer, der ikke er udført af vores autoriserede Assistance Service og/eller af en autoriseret kontraktlig Assistance Partner eller i tilfælde af brug af uoriginale reservedele.
- Reparationer forårsaget af forkert eller ikke-konform installation.
- Tilfælde af ukorrekt og/eller ikke-hjemmebrug af apparatet, f.eks. professionel brug.
- Transportskader. Hvis kunden transporterer produktet til sit hjem eller anden adresse, er IKEA ikke ansvarlig for eventuelle skader, der måtte opstå under transporten. Hvis IKEA derimod udfører transporten af produktet til kundens adresse, vil enhver skade på produktet under levering være dækket af IKEA.
- Omkostninger til den første installation af IKEA apparatet. Men hvis en IKEA serviceudbyder eller dennes autoriserede partner reparerer eller udskifter apparatet i henhold til denne garanti, vil leverandøren eller den autoriserede partner geninstallere det reparerede apparat eller installere apparatet, hvis nødvendigt. Disse begrænsninger gælder ikke for regelmæssige indgreb udført af kvalificeret teknisk personale med originale reservedele for at tilpasse apparatet til de tekniske sikkerhedsforskrifter i et andet EU-land.

Anvendelse af national lovgivning

Kunden er ejer af rettighederne i henhold til lovdekret nr. 206/2005, og denne 5 (fem) års IKEA-garanti påvirker ikke disse rettigheder, som opfylder eller udvider de mindste juridiske rettigheder i hvert land med hensyn til garanti. de begrænser på ingen måde forbrugerens rettigheder som defineret af lokal lovgivning.

Gyldighedsområde

For husholdningsapparater købt i et EU-land og bragt til et andet EU-land, vil tjenesterne blive leveret under de garantibetingelser, der gælder i det nye land. Forpligtelsen til at levere servicen i henhold til garantibetingelserne eksisterer kun, hvis apparatet overholder og er installeret i henhold til:

- de tekniske specifikationer for det land, hvor garantien anmodes om;
- sikkerhedsoplysningerne i monteringsvejledningen og i brugermanualen.

ASSISTANCE-tjenesten dedikeret til IKEA-hvidevarer

Tøv ikke med at kontakte det autoriserede servicecenter, der er udpeget af IKEA for:

- anmode om teknisk assistance i garanti-perioden
- anmode om oplysninger om driften af IKEA apparater.

For at sikre den bedste service, bedes du læse monteringsvejledningen og/eller produktets brugsanvisning omhyggeligt, inden du kontakter os.

Sådan kontakter du os, hvis du har brug for hjælp



Kontakt venligst nummeret til IKEA Servicecenter på sidste side i denne manual.

i For at sikre dig en hurtigere service, foreslår vi, at man bruger de telefonnumre, der er angivet i denne manual. Henvi altid til de numre, der er angivet i manualen til det udstyr, som du har brug for hjælp til. Vi foreslår, at du altid har IKEA-koden (8 cifre) og den 12-cifrede kode, der står på etiketten på dit produkt, til rådighed.

i BEHOLD DIT KØB/ LEVERINGSdokUMENT!

Dette er bevis på dit køb og skal fremvises for at garantien er gyldig. Navnet og IKEA-varenummeret (8 cifre) for hvert købt apparat står også på kvitteringen.

Har du brug for mere hjælp?


For enhver information, der ikke er relateret til assistance, henvises til kundeservice i reference-IKEA-varehuset. Læs venligst den tekniske dokumentation vedrørende apparatet omhyggeligt, før du kontakter os.

Sikkerhetsanvisninger


Før første gangs bruk


For egen sikkerhet og for en korrekt apparatfunksjon, ber vi om at denne håndboken leses nøye før første gangs bruk og idriftsettelse. Gå over bilder og advarsler i starten på denne håndboken nøye. For en korrekt og fullstendig installasjon henvises det til den spesifikke installasjonshåndboken som leveres med produktet.

Oppbevar disse anvisningene sammen med apparatet, også hvis dette selges eller avhendes. Det er viktig at brukerne er kjent med alle egenskaper som angår apparatets funksjon og sikkerhet.



 Dette er et faresymbol som tar for seg sikkerhet og varsler om potensielle risikoer for brukeren og andre personer.

Alle meldinger angående sikkerhet vil etterfølges av faresymbol og følgende uttrykk:

 **FARE:** Angir en farlig situasjon som vil føre til alvorlige skader hvis den ikke unngås.

 **ADVARSEL:** Angir en farlig situasjon som kan føre til alvorlige skader hvis den ikke unngås.

Alle disse sikkerhetsadvarslene gir spesifikke detaljer om potensielle farer, i tillegg til anvisninger om hvordan man kan redusere skaderisiko, personskader og elektriske støt som følge av uriktig bruk av apparatet. Man må følge alle anvisninger gjengitt her.

- Kontroller at apparatet ikke har transportskader
- Fjern all papp, plast og klistremerker fra tilleggsutstyrene.
- Installasjon og elektrisk tilkobling må gjøres av en kvalifisert tekniker i henhold til instruksjonene fra produsenten, i samsvar med lokale forskrifter angående sikkerhet. Man må ikke reparere eller skifte ut noen av apparatets deler hvis dette ikke er blitt anbefalt i bruksanvisningen.
- Apparatet må ikke være koblet til strømnettet når installasjonen utføres.
-  **ADVARSEL:** Manglende installasjon av skruer eller festemidler som gjengitt i disse instruksjonene, kan forårsake elektriske farer.
- Jording av apparatet er påbudt i henhold til gjeldende teknisk lovgivning. (Ikke mulig for hetter i klasse II merket med symbolet  på registreringsmerket).
- Ikke dra i strømledningen til apparatet for å koble det fra strømmen.
- Når installasjonen er ferdig utført, skal det ikke være mulig for brukeren å få tilgang til de elektriske komponentene.
- Ikke ta på apparatet med våte kroppsdeler og ikke bruk apparatet barføtt.
- Dette apparatet kan anvendes av barn over 8 års alder og av personer med nedsatt fysisk, sanselig eller mental funksjonsevne, samt personer uten erfaring eller med manglende kunnskap, hvis de holdes under oppsyn eller har vært gjenstand for opplæring i sikker bruk av apparatet og har forstått risikoene. Barn må holdes under oppsyn slik at de ikke leker med apparatet. Rengjøring og vedlikehold må ikke utføres av barn hvis disse ikke holdes under oppsyn av en voksen.
- Alle andre vedlikeholdsinngrep må utføres av en spesialisert tekniker.
- Når man borer hull i veggen må man se til at ingen elektriske koblinger og/eller rør skades.
- Vifteåpninger må alltid være koblet til utløp som føres utendørs.
- Produsenten fraskriver seg ethvert ansvar for skader forårsaket av ukorrekt bruk eller feilaktige innstillinger.
- Korrekt utført vedlikehold og rengjøring sikrer en god utførelse av arbeidet og god ytelse i apparatet. Rengjør regelmessig alle fastbrente urenheter

for å unngå at fett hoper seg opp. Fjern og rengjør eller skift ut filter regelmessig. Følg i dette henseende de medfølgende instruksjonene "Rengjøring og vedlikehold".

- Ikke bruk åpne flammer ("flambé") under apparatet. Bruk av åpne flammer kan forårsake antenner.
- Manglende etterfølgelse av rengjøringsanvisningene for hetten, samt bytte og rengjøring av filtrene, medfører risikoer for antenner.
- Luft som trekkes ut må ikke føres i samme rør som apparatet bruker til å skille ut røyk fra gass eller andre brennstoffer, men må ha et separat utløp.
- Alle gjeldende regler i brukslandet angående luftutløp må etterfølges.
- Det må være satt opp en adekvat luftutveksling hvis hetten skal anvendes samtidig med andre apparater som drives med gass eller andre brennstoffer. Negativt trykk i rommet må ikke overskride 4 Pa (4 x 10⁻⁵ bar). Av denne grunn må det påses at rommet har god luftutveksling. Hvis det oppstår tvil bes man kontakte autorisert service eller annet kvalifisert personell.

- Ikke la kokekar stå ubevoktet under frityrsteking, da oljen som brukes kan ta fyr.
- Se til at lampene er blitt kalde før de berøres.
- Ikke bruk eller etterlat hetten uten tilsyn hvis lampene ikke er korrekt montert, da dette kan medføre risiko for elektriske støt.
- Det må ikke settes gjenstander på hetten eller andre typer belastninger.
- For alle installasjoner og vedlikeholdsinngrep må man anvende egnede arbeidshansker.
- Apparatet kan ikke brukes utendørs.

⚠ ADVARSEL: Når platetoppen er i funksjon kan alle de tilgjengelige delene i hetten bli varme.

⚠ ADVARSEL: Dette apparatet er tungt. Hetten må løftes og installeres av en eller flere personer. Minste avstand mellom platetoppen og nedre del av hetten må ikke være mindre enn 65 cm for platetopper med gassbrennere og 50 cm for elektriske platetopper. Før installasjon må man kontrollere minsteavstander gjengitt i håndboken til platetoppen. Hvis installasjonsanvisningene til platetoppen oppgir en større avstand, må man forholde seg til dette.

Installasjon

Hetten er utformet for installasjon og bruk enten som "avtrekk" eller "resirkulering".

Avtrekksversjon (se symbolet  i installasjonsanvisningen)

Damp fra matlaging trekkes og føres ut av rommet via et avtrekksrør (medfølger ikke) tilkoblet damputløpet til hetten.

Se til at utløpsrøret er blitt korrekt montert i luftutløpet med et egnet tilkoblingssystem.

Viktig: Hvis allerede installert må kullfilter/ kullfiltrene fjernes.

Versjon med luftresirkulering

(se symbolet  i installasjonsanvisningen)

Luften filtreres via en eller flere filtre og føres på nytt ut i lokalet.

Viktig: Se til at det er korrekt luftsirkulasjon rundt hetten.

Viktig: Hvis det ikke medfølger kullfilter med leveransen må disse bestilles og monteres før apparatet tas i bruk. Filtrene er tilgjengelige hos IKEA.


Hetten må installeres langt fra urene områder, vinduer, dører og varmekilder. Utstyr for tilkobling til vegg medfølger ikke, da forskjellige veggtyper krever forskjellige festemidler. Bruk festemidler

som er egnet for de aktuelle veggene og vekten til apparatet. For ytterligere detaljer henvises det til spesialisert forhandler.

Ta vare på disse instruksjonene for senere referanse.


Anbefalinger for miljøvern

Emballasjemateriell

Emballasjen er 100% resirkulerbar og merket med resirkuleringssymbolet 

De forskjellige emballasjedelene må ikke kastes i naturen, men håndteres i henhold til gjeldende retningslinjer fra lokale myndigheter.



Symbolet  på produktet eller på dokumentasjonen som følger med dette, indikerer at det ikke må kastes sammen med vanlig husholdningsavfall, men leveres inn til en miljøstasjon eller returpunkt som tar seg av gjenvinning av elektrisk og elektronisk avfall.

Rengjøring og vedlikehold

ADVARSEL

- Koble hetten fra strømforsyningen
- Rengjør overflatene med en fuktig klut. Hvis de er svært skitne må det tilsettes vann med noen dråper såpe. Tørk av med en tørr klut.
- Ikke bruk andre redskaper eller vaskeutstyr til rengjøring.
- Unngå bruk av dampenser

VIKTIG: Ikke bruk etsende eller slipende rengjøringsmidler. Hvis en av disse produktene kommer i kontakt med apparatet må det rengjøres umiddelbart med en fuktig klut.

Bruk spesifikke rengjøringsmidler for å rengjøre apparatet og følg instruksjonene fra produsenten.

Ikke bruk skuresvamper eller metallredskaper. Disse kan skade overflatene over tid

Viktig: Rengjør fettfiltrene minst en gang i måneden for å fjerne rester av olje og fett.

For å rengjøre fettfiltrene

Fettfiltre i metall har ubegrenset varighet og må vaskes en gang i måneden for hånd eller i oppvaskmaskin ved lav temperatur og kort vaskeprogram.

Hvis det brukes oppvaskmaskin kan det hende at fettfilteret i metall mister litt av fargen. Dette betyr dog ikke at filteret mister sine egenskaper.

Vedlikehold av kullfilter.

Kullfiltrene må vaskes og regenereres hver 3-4 måned (eller oftere hvis hetten er gjenstand for intensiv bruk), inntil maksimalt 8 regenereringssykluser (ved spesielt intensiv bruk anbefales det å ikke overskride 5 sykluser).

Regenereringsprosedyre

- Vask i oppvaskmaskin ved en temperatur på maksimalt 70°C, eller for hånd i varmt vann uten å bruke grove svamper (ikke bruk rengjøringsmidler)
- Tørk i ovn ved en temperatur på maksimalt 70°C i 2 timer, eller la tørke i romtemperatur i vertikal posisjon slik at vannet renner av.

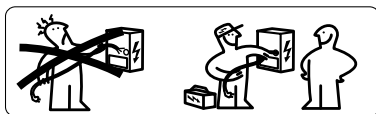
Vedlikehold av lyspærer

Hetten er utstyrt med LED-belysningsanlegg.

LED-lamper gir optimal belysning med opptil 10 ganger lengre varighet i forhold til tradisjonelle lyspærer og gjør det mulig å oppnå en strømbesparelse 90%.

Kontakt et autorisert servicesenter for å skifte lampene.

Elektrisk tilkobling



⚠ ADVARSEL: Alle elektrisk tilkobling må gjøres av en autorisert installatør. Kontroller at spenningen som er oppgitt på merkeskiltet er den samme som i nettet.

Denne informasjonen er oppgitt på innsiden av hetten, under fettfilteret.

⚠ ADVARSEL: Hvis hetten er utstyrt med støpsel må apparatet kobles til en kontakt som samsvarer med gjeldende lovgivning, plassert på et tilgjengelig sted. • Hetten er

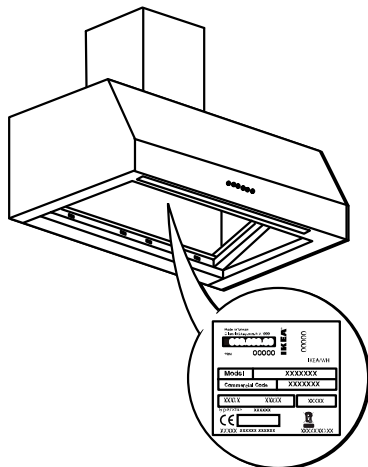
utstyrt med en spesiell strømkabel (type H05 VV-F). Hvis denne blir skadet må man kontakte kundeservice for å bestille ny.

• Hvis produktet ikke er utstyrt med støpsel (direkte tilkobling til strømnettet) eller kontakten ikke befinner seg på et lett tilgjengelig sted, må det settes på en topolet bryter som sikrer fullstendig utkobling tilsvarende overspenningskategori III, i henhold til installasjonsreglene.

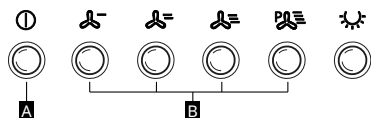
⚠ ADVARSEL: Ikke foreta spleising av kabler!

Merkeskilt

Tekniske data er gjengitt på skiltet på innsiden av apparatet



Kontrollpanel



A OFF-tast motor

B ON-tast motor

IKEA-GARANTI

Hvor lenge varer garantien fra IKEA?

Denne garantien har gyldighet i 5 år fra kjøps-/leveringsdato for apparater kjøpt ved en IKEA-butikk. Det må fremvises original kvittering for å bevise kjøpet. Eventuelle inngrep som utføres i garantiperioden vil ikke forlenge garantien.

Hvem er ansvarlige for tjenesten?

Kundeservice utvalgt og autorisert av IKEA tilbyr tjenesten via sitt egne autoriserte servicenettverk.

Hva dekker denne garantien?

Garantien dekker defekter på apparatet forårsaket av produksjonsfeil (funksjonelle defekter) fra kjøpsdato/levering av apparatet. Denne garantien gjelder kun for hjemmebruk. Unntak er gjengitt under emnet "Hva dekkes ikke av garantien?". I garantiens gyldighetsperiode er reparasjonskostnader

(reservedeler, servicetimer og reisekostnader) dekket i sin helhet av vår kundeservice, gitt at ikke tilgangen til apparatet i forbindelse med reparasjonsinngrepet ikke byr på spesielle kostnader. Disse betingelsene samsvarer med EU-direktivene (Nr. 99/44/CE) og lokale forskrifter. Komponenter som byttes ut eies i sin helhet av IKEA.

Hvordan vil IKEA handle for å løse problemet?

Kundeservice som IKEA benytter seg av for å utføre tjenesten, vil undersøke produktet og bestemme på egenhånd hvorvidt inngrepet dekkes av garantien. IKEA kundeservice, eller eventuelle autoriserte partnere, vil på egenhånd reparere det defekte produktet eller skifte det ut med et identisk produkt, eller eventuelt med et produkt med tilsvarende verdi.

Hva dekkes ikke av garantien?

- Normal slitasje
- Forsettelige skader, skader forårsaket av manglende overhold av instruksjonene, av en ukorrekt installasjon, eller som følge av tilkobling med feilaktig

spenning. Skader forårsaker av kjemiske eller elektrokjemiske reaksjoner, rust, korrosjon eller skader forårsaket av vann, inkludert skader forårsaket av kalk i vannrørene. Skader forårsaket av atmosfæriske eller naturlige hendelser.

- Forbruksmaterieell som batterier og lyspærer.
- Skader på ikke-funksjonelle og dekorative deler som ikke har innvirkning på normal bruk av apparatet, inkludert riper og fargeforandringer.
- Skader forårsaket av fremmedlegemer eller fremmede stoffer og skader forårsaket av rengjøring eller fjerning av tilstoppelser i filtrene, avløpssystemer eller rengjøringsmidler.
- Skader på følgende komponenter: glasskeramikk, tilbehør, kurver for bestikk, forsynings- og dreneringsrør, pakninger, lyspærer, lampeskjermer, rister, brytere, innfatning og deler av innfatninger. Hvis det ikke kan bevises at skadene ikke er blitt forårsaket av fabrikkasjonsfeil.
- Skader hvor det oppdages funksjonelle feil i forbindelse med undersøkelser gjort av teknikere.
- Reparasjoner ikke utført av vår autoriserte Kundeservice og/eller en av våre autoriserte partnere, eller hvis det brukes uoriginale reservedeler.
- Reparasjoner forårsaket av en ukorrekt installasjon, eller en installasjon som ikke samsvarer med spesifikasjonene.
- Saker med ukorrekt bruk og/eller ikke hjemmebruk av apparatet, f.eks profesjonell bruk.
- Skader fra transport. Hvis det er kunden som transporterer produktet til eget hjem eller annen adresse, er ikke IKEA ansvarlig for eventuelle skader som kan skje i forbindelse med transporten. Hvis det er IKEA som står for transporten av

produktet til kundens adresse, vil eventuelle skader i forbindelse med transporten dekkes av IKEA.

- Kostnader forbundet med første installasjon av produktet fra IKEA. Hvis en IKEA-leverandør eller en partner autorisert av IKEA, reparerer eller bytter ut apparatet i garantiperioden, vil leverandør eller autorisert partner montere det reparerte apparatet eller installere bytteapparatet hvis nødvendig. Disse restriksjonene gjelder ikke for normale inngrep utført av teknisk personell med originale reservedeler for å tilpasse apparatet til tekniske forskrifter som gjelder i et annet EU-land.

Etterfølgelse av nasjonale lover

Kunden har rettigheter i henhold til bestemmelsene i lovdekret nr.206/2005. Denne garantien fra IKEA gjelder i 5 (fem) år fra kjøpsdato og utgjør en lovlige minimumsrettighet for hvert bruksland hva angår garantibestemmelser. Disse betingelsene begrenser ikke på noen som helst måte forbrukerrettigheter definert i lokale lovverk.

Gyldighet

For apparater kjøpt i et EU-land og fraktet til et annet EU-land, vil garantibetingelsene som gjelder i det nye landet være gjeldende. Våre forpliktelser til å levere tjenester i garantiperioden, gjelder kun hvis apparatet er brukt og montert i samsvar med:

- Tekniske spesifikasjoner i landet hvor garantien etterspørres.
- Informasjon angående sikkerhet i installasjonsanvisninger og brukerhåndboken.

KUNDESERVICE for apparater fra IKEA

Man må ikke nøle med å kontakte autorisert Kundeservice for å:

- Spørre etter teknisk service i garantiperioden.
- Spørre etter informasjon angående funksjonen til apparater fra IKEA.

For å sikre den beste service ber vi om at monteringsanvisningen og/eller instruksjonshåndboken til produktet leses før vi kontaktes.

Hvordan kontakte oss hvis det oppstår behov



Vennligst bruk kontaktnumrene til IKEA kundeservice som finnes på siste side av denne håndboken.

i For å kunne tilby service så hurtig som mulig, anbefales det å bruke telefonnummeret som er oppgitt i denne håndboken. Bruk alltid numrene som er gjengitt i brukerhåndbok til apparatet som er gjenstand for service. Vi anbefaler å ha tilgjengelig IKEA-koden (8 siffer) og koden på 12 siffer gjengitt på etiketten til produktet.

i TA VARE PÅ KJØPS-/ LEVERINGSdokumentet!

Dette er beviset på kjøpet og er nødvendig for å bevise at kjøpet er gyldig. På kvitteringen er det også oppgitt navnet og koden til IKEA-produktet (8 siffer) for hvert apparat som kjøpes.

Har dere behov for ytterligere hjelp?

For enhver informasjon angående service til kunde, ber vi om at kundeservice hos den aktuelle IKEA-forhandleren kontaktes. Vi ber om at den tekniske dokumentasjonen som medfølger det aktuelle apparatet leses i sin helhet før vi kontaktes.

Turvallisuutta koskevat ohjeet

ⓘ Ennen ensimmäistä käyttökertaa


Oman turvallisuuden ja laitteen oikeooppisen toiminnan takaamiseksi lue tämä opas huolellisesti ennen asennusta ja käyttöönottoa. Katso huolellisesti tämän oppaan alussa olevat varoituskuvat. Katso oikea ja täydellinen asennus tuotteen mukana toimitetusta asennusoppaasta. Pidä nämä ohjeet aina laitteen mukana, myös siinä tapauksessa, että sitä ei enää käytetä tai että se luovutetaan kolmansille osapuolille. On tärkeää, että käyttäjät tuntevat kaikki laitteiston toiminnan ja turvallisuuden ominaisuudet.

⚠Tämä on turvallisuuteen liittyvä varoitussymboli, joka varoittaa mahdollisista riskeistä käyttäjää ja muita. Kaikkia turvallisuusviestejä edeltää vaarasymboli ja seuraavat termit:

⚠ VAARA: osoittaa vaarallista tilannetta, joka johtaa vakavaan loukkaantumiseen, jos sitä ei vältetä.

⚠ VAROITUS: osoittaa vaarallista tilannetta, joka voi johtaa vakavaan loukkaantumiseen, jos sitä ei vältetä. Kaikki turvallisuusvaroitukset sisältävät tarkkoja yksityiskohtia mahdollisista vaaroista sekä ohjeita siitä, kuinka vähentää loukkaantumis-, vahingoittumis- ja sähköiskuvaaraa, joka johtuu laitteen sopimattomasta käytöstä. Noudata seuraavia ohjeita tarkkaan.


- Tarkista, että laitteessa ei ole kuljetuksesta syntyneitä vahinkoja
- Poista lisävarusteista pahvit, suojakalvot ja tarrat.
- Asennus ja sähköliitännät on suoritettava pätevän teknikon toimesta valmistajan ohjeiden ja paikallisten turvallisuusmääräysten mukaisesti. Älä korjaa tai vaihda mitään laitteen osaa, ellei sitä ole nimenomaisesti suositeltu käyttöoppaassa.
- Laite tulee kytkeä irti sähköverkosta ennen minkään asennustoimenpiteen aloittamista.


- **⚠ VAROITUS:** jos ruuveja tai kiinnikkeitä ei asenneta näissä ohjeissa kuvatulla tavalla, seurauksena voi olla sähkövaara.
- Laite tulee maadoittaa lain mukaisesti. (Ei mahdollista luokan II liesituulettimille, jotka on merkitty arvokilvessä olevalla symbolilla .
- Älä vedä laitteen virtajohdosta irrottaaksesi sen pistorasiasta.
- Kun asennus on valmis, sähkökomponentit eivät saa olla käyttäjän ulottuvilla.
- Älä koske laitteeseen märillä kehon osilla äläkä käytä sitä paljain jaloin.
- Laitteen käyttö on sallittu vähintään 8-vuotiaille lapsille ja sellaisille henkilöille, joiden fyysinen, aisteihin liittyvä tai henkinen toimintakyky on rajoittunut tai joilla ei ole kokemusta tai tietoa laitteen käytöstä sillä ehdolla, että heitä valvotaan ja opastetaan laitteen turvalliseen käyttöön liittyen ja että he tuntevat sen käyttöön liittyvät riskitekijät. Lapsia on valvottava sen varmistamiseksi, etteivät he leiki laitteella. Lapset eivät saa suorittaa puhdistusta ja säännöllistä huoltoa ilman aikuisen valvontaa.
- Kaikki muut huoltopalvelut tulee suorittaa erikoistuneen teknikon toimesta.
- Kun poraat seinää, varo vahingoittamasta sähköliitäntöjä ja/tai putkia.
- Tuuletusaukkojen on aina suunnattava ulospäin.
- Valmistaja ei vastaa vahingoista, jotka johtuvat väärästä käytöstä tai virheellisistä asetuksista.
- Riittävä huolto ja puhdistus takaavat onnistuneen työn ja laitteen parhaan suorituskyvyn. Puhdista säännöllisesti pinttynyt lika, jotta voit välttää rasvan kertymisen. Irrota ja puhdista tai vaihda

säännöllisesti suodatin. Noudata tähän liittyen kohdassa ”Puhdistus ja huolto” annettuja ohjeita.

- Älä kypsennä ruokaa liekillä (liekitys) laitteen alla. Vapaiden liekkien käyttö voi aiheuttaa tulipalon.
- Liesituulettimen puhdistus- ja suodattimien vaihto- ja puhdistusohjeiden noudattamatta jättäminen aiheuttaa tulipalon vaaran.
- Poistoilmaa ei saa poistaa kanavaan, jota käytetään kaasua tai muita polttoaineita käyttävien laitteiden tuottamien savujen poistoon, vaan sillä on oltava itsenäinen ulostulo.
- Kaikkia ilmanpoistoon kuuluvia kansallisia määräyksiä on noudatettava.
- Riittävä ilmanvaihto on varmistettava, jos liesituuletinta käytetään yhdessä muiden kaasua tai muita polttoaineita käyttävien laitteiden kanssa. Huoneen alipaine ei saa ylittää 4 Pa (4 x 10⁻⁵ bar). Tästä syystä varmista, että huone on hyvin tuuletettu. Jos epäilyksiä esiintyy, ota yhteyttä valtuutettuun huoltoliikkeeseen tai pätevään ammattilaiseen.
- Älä jätä pannuja tulelle ilman valvontaa käristäessäsi ruokaa, sillä siihen käytetty öljy voi syttyä palamaan.

- Ennen lamppujen koskettamista varmista, että ne ovat kylmiä.
- Älä käytä tai jätä liesituuletinta ilman siihen oikein asennettua lamppua, sillä se voi aiheuttaa sähköiskun.
- Liesituuletin ei ole tukipinta, joten älä aseta sen päälle esineitä tai ylikuormita sitä.
- Kaikkien asennukseen ja huoltoon liittyvien toimenpiteiden aikana suojaa kädet sopivilla työkaluineilla.
- Laite ei sovellu käytettäväksi ulkona.

 **VAROITUS:** Kun keittotaso toimii, liesituulettimen osat voivat tulla kuumiksi.

 **VAROITUS:** tämä laite on painava; liesituulettimen saa nostaa ja asentaa vain kaksi tai useampi henkilö. Minimietäisyys keittotason ja liesituulettimen alaosan välillä tulee olla vähintään 65 cm kun kyseessä ovat keittotasot kaasupolttimilla tai muilla polttoaineilla 50 cm kun kyseessä ovat sähköliedet. Tarkista ennen asennusta myös keittotason ohjekirjassa mainitut vähimmäisetäisyydet. Jos keittotason asennusohjeissa on ilmoitettu suurempi etäisyys, tätä etäisyyttä on noudatettava.

Asennus

Liesituuletin on suunniteltu asennettavaksi ja käytettäväksi toimintatavassa ”imu” tai ”kiertoilma”.

Imuversio (ks. symboli asennusohjeista)

Keittöhöyry imetään sisään ja johdetaan talon ulkopuolelle poistoputken (ei sisälly toimitukseen) kautta, joka on liitetty liesituulettimen höyryn ulostuloon.

Varmista, että poistoputki on asennettu oikein ilmanpoistoaukkoon sopivalla liitäntäjärjestelmällä.

Tärkeää: jos on jo asennettu, irrota hiilisuodatin/suodattimet.

Kiertoilmaversio

(ks. symboli asennusohjeista)

Ilma suodatetaan yhden tai useamman suodattimen läpi ja johdetaan sitten takaisin huoneeseen.

Tärkeää: varmista, että liesituulettimen ympärillä on oikea ilmankierto.

Tärkeää: jos liesituulettimen mukana ei toimiteta hiilisuodattimia, ne on tilattava ja koottava ennen laitteen käyttöä. Suodattimia saa IKEA-liikkeistä.

Liesituuletin tulee asentaa etäälle erityisen likaisista paikoista, ikkunoista, ovista ja lämmönlähteistä.

Seinäkiinnitystarvikkeet eivät sisälly toimitukseen, koska erilaisesta materiaalista valmistetut seinät vaativat

erilaisia kiinnitystarvikkeita. Käytä kotisi seiiniin ja laitteen painoon sopivia kiinnitysjärjestelmiä. Lisätietoja saat ottamalla yhteyttä erikoisliikkeeseen.

Säilytä nämä ohjeet tulevaa tarvetta varten.

Ohjeita ympäristön suojelemiseksi


Pakkausmateriaali

Pakkaus on 100 % kierrätettävä ja siinä on

kierrätysymboli 

Pakkauksen eri osia ei siksi saa levittää ympäristöön, vaan ne on hävitettävä paikallisten viranomaisten antamien määräysten mukaisesti.



Symboli  tuotteessa tai tuotteen mukana toimitetuissa asiakirjoissa osoittaa, että tätä tuotetta ei tule käsitellä tavallisena kotitalousjätteenä vaan se tulee toimittaa sopivaan keräyspisteeseen, jossa sähkö- ja elektroniikkalaitteet kierrätetään.

Puhdistus ja huolto

VAROITUS

- Kytke liesituuletin irti sähköverkosta
- Puhdista pinnat kostealla liinalla. Jos se on erittäin likainen, lisää muutama tippa astianpesuainetta veteen. Kuivaa puhtaalla liinalla.
- Älä käytä puhdistuksessa työkaluja tai muita välineitä.
- Vältä höyrystyskupuhdistimien käyttöä

TÄRKEÄÄ: älä käytä syövyttäviä tai hankaavia pesuaineita. Jos jokin näistä tuotteista joutuu vahingossa kosketuksiin laitteen kanssa, puhdista se välittömästi kostealla liinalla.

Käytä erityisiä pesuaineita laitteen puhdistamiseen ja noudata valmistajan ohjeita.

Älä käytä hankaavia sieniä, teräsvillaa tai metallisia kaapimia. Pitkällä aikavälillä ne voivat vahingoittaa pintaa

TÄRKEÄÄ: puhdista rasvasuodattimet vähintään kerran kuukaudessa öljyn tai rasvan jäämien poistamiseksi.

Rasvasuodattimen pesemiseksi

Metallisella rasvasuodattimella on rajoittamaton käyttöikä ja se on pestävä kerran kuukaudessa käsin tai astianpesukoneessa alhaisessa lämpötilassa ja lyhyellä ohjelmalla.

Kun pesu suoritetaan astianpesukoneessa rasvasuodattimen väri voi haalistua kevyesti, mutta sen suodatusominaisuudet eivät muutu millään tavoin.

Hiilisuoatattimen huolto.

Hajusuodatin on pestävä ja regeneroitava 3-4 kk välein (tai useammin jos liesituulettimeen kohdistuu intensiivinen käyttö) korkeintaan 8 regenerointijaksoon asti (erityisen intensiivistä käyttöä varten, älä ylitä 5 jaksoa).

Regenerointimenettely

- Pese astianpesukoneessa enintään 70 °C:n lämpötilassa tai käsin lämpimässä vedessä. Älä käytä hankaussieniä (älä käytä pesuaineita!)
- Kuivaa uunissa enintään 70 °C:n lämpötilassa 2 tuntia tai anna kuivua huoneenlämmössä asettamalla suodatin pystysuoraan veden virtauksen helpottamiseksi.

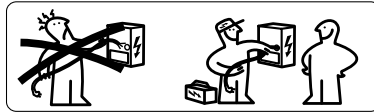
Lamppujen huolto

Liesituulettimessa on LED-valaistusjärjestelmä.

LED-valot takaavat optimaalisen valaistuksen – jopa 10-kertaisen keston perinteisiin lamppeihin nähden – ja 90 %:n energiansäästön.

Ota yhteys huoltokeskukseen vaihtoa varten.

Sähköliitäntä



VAROITUS: Kaikki sähköliitännät edellyttävät valtuutetun asentajan toimia. Tarkista, että tuotteen arvokilpeen merkitty jännite vastaa sähköverkon jännitettä.

Nämä tiedot on osoitettu liesituulettien sisällä, rasvasuodattimen alla.

VAROITUS: Jos liesituulettiin kuuluu pistoke, liitä laite voimassa olevien määräysten mukaiseen pistorasiaan, joka on asetettu saavutettavissa olevalle alueelle. Liesituuletin on varustettu

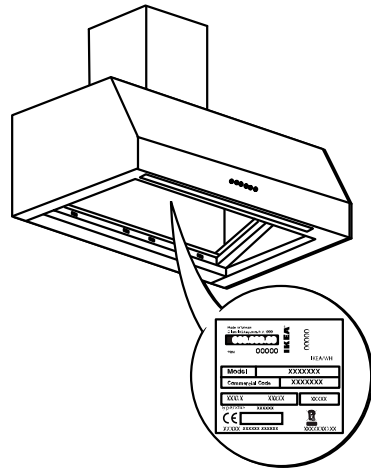
erityisellä virtajohtolla (tyyppi H05 VV-F); jos se vahingoittuu, pyydä tilalle uusi teknisestä tukipalvelusta.

Jos sitä ei ole varustettu pistokkeella (suora johdotus verkkovirtaan) tai jos pistorasia ei ole esteettömällä alueella, asenna standardoitu kaksinapainen kytkin, joka mahdollistaa täydellisen eristämisen verkkovirrasta luokan III ylijännitteen sattuessa, kaapelointia koskevien standardien mukaisesti.

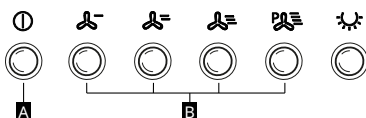
VAROITUS: Älä hitsaa johtoja!

Arvokilpi

Tekniset tiedot on annettu laitteen sisälaidassa olevassa kyltissä



Ohjauspaneeli



A Moottorin OFF-näppäin

B Moottorin ON-näppäin

IKEA-TAKUU

Kuinka kauan IKEA-takuu kestää?

Tämä takuu on voimassa 5 vuotta laitteesi osto-/toimituspäivästä IKEA-myymlästä. Alkuperäinen kuitti on esitettävä todisteena ostosta. Takuun aikana tehdyt huoltotoimenpiteet eivät pidennä takuun voimassaoloa.

Kuka tarjoaa palvelun?

IKEAn valitsema ja valtuuttama tukipalvelu tarjoaa palvelun valtuutettujen huoltokumppaneidensa kautta.

Mitä tämä takuu kattaa?

Takuu kattaa valmistusvirheestä johtuvat laitevirheet (toiminnallinen vika) laitteen osto-/toimituspäivästä alkaen. Tämä takuu koskee vain kotitalouskäyttöä. Poikkeukset on lueltava kohdassa "Mitä tämä takuu ei kata?". Takuuaikana korjauskustannukset (varaosat, työkustannukset ja teknisen henkilöstön matkakustannukset) maksetaan

huoltopalvelun toimesta, sillä ehdolla, että pääsy laitteistoon korjaustoimenpiteitä varten ei aiheuta erityisiä kuluja. Nämä ehdot ovat EU-direktiivien (N:o 99/44/EY) ja paikallisten määräysten mukaisia. Vaihdetuista osista tulee IKEAn omaisuutta.

Miten IKEA ratkaisee ongelman?

IKEAn nimeämä palveluntarjoaja tutkii tuotteen ja päättää oman harkintansa mukaan, kuuluuko se takuun piiriin. IKEAn nimeämä palveluntarjoaja tai hänen valtuuttamansa huoltokumppani korjaa oman harkintavaltansa alaisena viallisen tuotteen tai vaihtaa sen vastaavaan tuotteeseen tai samantarvoiseen tuotteeseen.

Mitä takuu ei kata?

- Normaalialue kulumista.
- Tahallisesti aiheutettuja vahinkoja, käyttöohjeiden noudattamatta jättämisestä, virheellisestä asennuksesta tai väärään jännitteeseen kytkemisestä aiheutuneita vahinkoja. Kemiallisten tai sähkökemiallisten reaktioiden, ruosteen, korroosion tai

vesivaurioiden aiheuttamia vaurioita, mukaan lukien vauriot, jotka aiheutuvat liiallisesta kalkkipitoisuudesta vesiputkissa. Ilmastollisten ja luonnontekijöiden aiheuttamia vahinkoja.

- Kulumisen kohteeksi joutuvia osia, mukaan lukien akut ja lamput.
- Toimimattomien ja koristeellisten osien vaurioita, jotka eivät vaikuta laitteen normaaliin käyttöön, mukaan lukien naarmut ja värierot.
- Tahattomia vaurioita, jotka ovat aiheutuneet vieraista esineistä tai aineista ja vahinkoja, jotka johtuvat puhdistuksesta tai suodattimien, tyhjennysjärjestelmien tai pesuainelokeroiden puhdistamisesta.
- Seuraavien osien vaurioita: keraaminen liesi, lisävarusteet, ruokailuvälineet ja astiastokorit, syöttö- ja tyhjennysputket, tiivisteet, lamput ja lampunsuojukset, ritilät, nupit, pinnoitus ja pinnoituksen osat. Ellei ole mahdollista osoittaa, että kyseiset vahingot johtuvat valmistusvirheistä.
- Tapauksia, joissa tuotteesta ei huoltokäynnillä löydy vikaa.
- Korjaukset eivät ole valtuutetun huoltokeskuksemme ja/tai valtuutetun huoltokumppanin suorittamia tai jos käytetään ei-alkuperäisiä varaosia.
- Korjaustyöt, jotka johtuvat väärästä tai ohjeiden epäyhdenmukaisesta asennuksesta.
- Tapaukset, joissa laitetta on käytetty väärin ja/tai muuhun kuin kotitalouskäyttöön, esim. ammattikäyttöön.
- Kuljetuksesta johtuvat viat. Jos asiakas kuljettaa tuotteen kotiinsa tai muuhun osoitteeseen, IKEA ei ole vastuussa mistään kuljetuksen aikana mahdollisesti aiheutuvista vahingoista. Toisaalta, jos IKEA suorittaa tuotteen

kuljetuksen asiakkaan osoitteeseen, IKEA korvaa tuotteelle toimituksen aikana aiheutuneet vauriot.

- IKEA-laitteen ensimmäiseen asennukseen liittyvät kulut. Jos IKEA-palveluntarjoaja tai sen valtuutettu kumppani kuitenkin korjaa tai vaihtaa laitteen tämän takuun puitteissa, toimittaja tai valtuutettu yhteistyökumppani asentaa korjatun laitteen uudelleen tai vaihtolaitteen tarvittaessa. Nämä rajoitukset eivät koske säännöllisiä toimenpiteitä, joita pätevä tekninen henkilökunta suorittaa alkuperäisillä varaosilla laitteen mukauttamiseksi toisen EU-maan teknisiin turvallisuusmääräyksiin.

Kansallisten lakien soveltaminen

Asiakas omistaa asetuksessa nro 206/2005 säädetty oikeudet, eikä tämä 5 (viiden) vuoden IKEA-takuu vaikuta näihin oikeuksiin, jotka täyttävät tai laajentavat kunkin maan takuun osalta laillisia vähimmäisoikeuksia. Nämä ehdot eivät kuitenkaan millään tavalla rajoita paikallisten lakien määrittelemiä kuluttajan oikeuksia.

Voimassaoloalue

EU-maassa ostetuille, toiseen EU-maahan viedyille laitteille tarjotaan palvelut uudessa maassa sovellettavissa olevien takuehtojen mukaisesti. Velvollisuus tarjota palvelua takuun ehtojen mukaan on olemassa vain, jos kodinkone on vaatimusten mukainen ja asennettu seuraavien mukaisesti:

- takuun soveltamista vaativassa maassa voimassa olevien teknisten erittelyjen mukaan
- asennusohjeiden ja käyttöoppaan sisältämät turvallisuustiedot.

IKEA-laitteille tarkoitettu ASSISTANCE-palvelu

Ota yhteyttä IKEA:n valtuutettuun myynninjälkeiseen huoltopalveluun seuraavista syistä:

- teknisen avun pyyntö takuuaikana
- IKEA:n kodinkoneiden toimintaan liittyvien tietojen pyyntöä varten.

Parhaan palvelun takaamiseksi lue huolellisesti asennusohjeet ja/tai tuotekohtainen käyttöohje ennen kuin otat meihin yhteyttä.

Miten ottaa yhteyttä, jos tarvitset huoltoapua



Ota yhteyttä tämän oppaan viimeisellä sivulla olevaan IKEA-huoltokeskuksen numeroon.

i **Nopeamman palvelun takaamiseksi suosittelemme, että käytät tässä oppaassa annettuja puhelinnumeroita. Viittaa aina sen laitteen ohjekirjassa annettuihin numeroihin, jota varten tarvitset huoltoapua. Suosittelemme, että sinulla on aina saatavilla IKEA-koodi (8 numeroa) ja 12-numeroinen koodi, jotka näkyvät tuotteesi tarrassa.**

i **SÄILYTÄ OSTO/TOIMITUSKUITTI!**

Tämä on todiste ostoksestasi ja se on esitettävä, jotta takuu olisi voimassa. Jokaisen ostetun laitteen nimi ja IKEA-tuotenumero (8 numeroa) näkyvät myös kuitissa.

Tarvitsetko lisää apua?

Jos haluat lisätietoja, jotka eivät liity apuun, ota yhteys IKEA-myyvälän asiakaspalveluun. Lue laitetta koskevat tekniset asiakirjat huolellisesti ennen kuin otat meihin yhteyttä.

Öryggisleiðbeiningar

i Fyrir fyrstu notkun

Til að tryggja öryggi þitt og fyrir rétta notkun tækisins, vinsamlegast lestu þessa handbók vandlega fyrir uppsetningu og gangsetningu. Skoðaðu viðvörunarmyndirnar í upphafi þessarar handbókar vandlega. Til að fá rétta og fullkomna uppsetningu skaltu skoða sérstaka uppsetningarhandbók sem fylgir vörunni.

Geymdu þessar leiðbeiningar alltaf með tækinu, jafnvel þótt það sé afhent þriðja aðila. Það er mikilvægt fyrir notendur að þekkja alla notkunar- og öryggiseiginleika tækisins.

! Hættutáknið, sem tengist öryggi, sem varar við hugsanlegri áhættu fyrir notandann og aðra.

Á undan öllum öryggistengdum skilaboðum kemur hættutáknið og eftirfarandi hugtök:

! **HÆTTA:** gefur til kynna hættulegar aðstæður sem mun valda alvarlegum meiðslum ef þeim er ekki forðað.

! **VIÐVÖRUN:** gefur til kynna hættulegar aðstæður sem mun valda alvarlegum meiðslum ef þeim er ekki forðað.

Allar öryggisviðvaranir veita sérstakar upplýsingar um hugsanlega hættu, sem og leiðbeiningar um hvernig draga megi úr hættu á meiðslum, skemmdum og raflosti vegna óviðeigandi notkunar tækisins. Fylgdu þessum leiðbeiningum vandlega.

- Gakktu úr skugga um að tækið hafi ekki skemmst við flutning
- Fjarlægðu pappahlífarnar og hvers kyns hlífðarfilmu og límmiða af fylgihlutunum.
- Uppsetning og rafmagnstengingar skulu framkvæmdar af hæfum tæknimanni, í samræmi við leiðbeiningar framleiðanda og í samræmi við staðbundnar öryggisreglur. Gerðu ekki við eða skiptu

um neinn hluta tækisins nema sérstaklega sé mælt með því í notendahandbókinni.

- Taka verður tækið úr sambandi við rafmagn áður en uppsetning er framkvæmd.
- **!** **VIÐVÖRUN:** vanræksla varðandi það að setja upp skrúfur eða festingar sem tilgreindar eru í leiðbeiningunum getur valdið rafmagnshættu.
- Samkvæmt lögum verður tækið að vera jarðtengt. (Ekki mögulegt fyrir háfa í flokki II sem auðkenndir eru með táknuinu á raðnúmeraplötunni).
- Togið ekki í rafmagnssnúruna til að taka tækið úr sambandi .
- Þegar uppsetningu er lokið mega rafmagnsíhlutirnir ekki lengur vera aðgengilegir notandanum.
- Snertið ekki tækið með blautum eða rökum líkamshlutum og notið það ekki berfætt.
- Þetta tæki er aðeins hægt að nota af börnum eldri en 8 ára og af fólki með skerta líkamlega, skynræna eða andlega getu eða með óviðeigandi reynslu og þekkingu ef það er undir eftirliti og ef það hefur fengið leiðbeiningar um örugga notkun tækisins og skilji áhættuna sem því fylgir. Börn verða að vera undir eftirliti til að tryggja að þau leiki sér ekki með tækið. Þríf og reglulegt viðhald mega börn aldrei annast án eftirlits fullorðinna.
- Allt annað viðhald skal sérhæfður tæknimaður annast.
- Þegar boruð eru göt á vegginn skal gæta þess að skemma ekki raftengingar og/ eða rör.
- Loftræstiopin skal ávallt beina í opið loft.
- Framleiðandinn ber ekki ábyrgð á skemmdum af völdum óviðeigandi notkunar eða rangra stillinga.
- Rétt viðhald og þríf tryggja rétta notkun og bestu afköst tækisins. Fjarlægjið reglulega öll föst óhreinindi af

yfirborðinu til að forðast fituuppbyggingu. Takið úr og hreinsið eða skiptið um síuna reglulega. Til að gera þetta skal fylgja leiðbeiningunum sem veittar eru í málsgreininni „Þrif og viðhald“.

- Eldið ekki mat yfir loga („flambé“) undir tækinu. Notkun opins elds getur valdið eldsvoða.
- Ef leiðbeiningunum er ekki fylgt við þrif á háfnum og þegar verið er að þrifa og skipta um síur getur það valdið eldhættu.
- Ekki má losa útblástursloftið í gegnum sömu leið og notuð er til að draga út gufurnar sem myndast af tækjum sem brenna gasi eða öðru eldsneyti, heldur verður það að hafa sjálfstætt úttak.
- Fara skal eftir öllum landsreglum varðandi útblástursloft.
- Það verður að vera nægjanleg loftræsting ef háfurinn er notaður með öðrum tækjum sem brenna gasi eða öðru eldsneyti. Undirþrýstingur herbergisins má ekki vera yfir 4 Pa (4 x 10⁻⁵ bör). Af þessum sökum skal tryggja að herbergið sé vel loftræst. Ef vafi kemur upp skal hafa samband við viðurkennda þjónustumiðstöð eða viðurkenndan fagmann.

- Skildu ekki eftir eldunarílát eftir á eldavelinni án eftirlits á meðan matur er steiktur, þar sem kviknað getur í olíu sem notuð er við steikingu.
- Áður en þú snertir ljósaperurnar skaltu ganga úr skugga um að þær séu kaldar.
- Notið ekki eða skiljið háfinn eftir án þess að ljósaperan sé rétt uppsett, því það gæti valdið raflosti.
- Háfurinn er ekki borðplata: setjið ekki hluti á hann eða setjið of mikið álag á hann.
- Notaðu alltaf viðeigandi vinnuhanska fyrir allar uppsetningar- og viðhaldsaðgerðir.
- Tækið hentar ekki til notkunar utandyra.

⚠ VIÐVÖRUN: þegar kveikt er á helluborðinu geta aðgengilegir hlutar háfsins orðið heitir.

⚠ VIÐVÖRUN: þetta tæki er þungt; tveir eða fleiri þurfa að lyfta háfnunum og setja hann upp. Lágmarksfjarlægð milli helluborðs og neðri hluta háfsins má ekki vera minni en 65 cm fyrir helluborð með gas- eða öðrum eldsneytisbrennurum og 50 cm fyrir rafmagnseldavélar. Fyrir uppsetningu skaltu einnig athuga lágmarksfjarlægðirnar sem tilgreindar eru í handbók helluborðsins. Ef leiðbeiningar um uppsetningu helluborðs gefa til kynna meiri fjarlægð þarf að taka tillit til þess.

Uppsetning

Háfurinn er hannaður til að setja upp og nota í „útsogs-“ eða „hringrásar“-ham.

Útsogsútgáfa (sjá táknið í uppsetningarleiðbeiningunum)

Gufan sem myndast við matreiðslu er söguð inn og flutt undir bert loft í gegnum útblástursrör (fylgir ekki) sem er tengt við gufuúttak háfsins.

Gakktu úr skugga um að útblástursrörinu sé rétt komið fyrir í loftúttakinu með því að nota viðeigandi tengikerfi.

Mikilvægt: ef það er þegar uppsett skaltu fjarlægja kolsíuna/síurnar.

Hringrásarútgáfa

(sjá táknið í uppsetningarleiðbeiningunum)

Loftið er síað í gegnum eina eða fleiri síur og síðan flutt aftur inn í herbergið.

Mikilvægt: gangið úr skugga um að það sé rétt loftflæði í kringum háfinn.

Mikilvægt: ef háfurinn er ekki með kolsíur verður að panta þær og setja þær upp áður en tækið er notað. Síurnar fást í verslunum IKEA.

Setja verður háfinn upp fjarri sérstaklega óhreinum svæðum, gluggum, hurðum og hitagjöfum.

Aukahlutir til veggfestingar eru ekki innifaldir vegna þess að veggir úr mismunandi efnum krefjast mismunandi tegunda aukabúnaðar. Notaðu festingarkerfi sem henta veggjum

heimilisins og henta þyngd tækisins. Fyrir frekari upplýsingar, hafðu samband við sérhæfða söluaðila.

Geymið þessar leiðbeiningar til síðari notkunar.

Umhverfisverndarráð


Umbúðafni

Umbúðirnar eru 100% endurvinnanlegar og þær eru merktar með

endurvinnslutákninu 

Hinum ýmsu hlutum umbúðanna má ekki dreifa út í umhverfið; þeim skal fargað í samræmi við reglur sem settar eru af staðbundnum yfirvöldum.



Táknid  á vörunni eða fylgiskjöllum gefur til kynna að ekki megi meðhöndla þessa vöru sem heimilissorp heldur verður að fara með hana á viðeigandi sorphirðustað til endurvinnslu á raf- og rafeindatækjum.

Þrif og viðhald

VIÐVÖRUN

- Taktu háfinn úr sambandi
- Hreinsið yfirborðið með rökum klút. Ef það er mjög óhreint skaltu bæta nokkrum dropum af uppþvottaefni út í vatnið. Þurrkaðu með þurrum klút.
- Notið ekki verkfæri eða önnur hreinsitæki.
- Forðastu að nota gufustútshreinsara

MIKILVÆGT: notið ekki ætandi eða slípandi hreinsiefni. Ef einhver af þessum vörum kemst í snertingu við tækið fyrir slysi skal hreinsa það strax með rökum klút.

Notaðu sérstök þvottaefni til að þrifa tækið og fylgdu leiðbeiningum framleiðanda. Notið ekki slípisvampa, slípiþúða eða málmköfur. Til lengri tíma litið geta þau skemmt yfirborðið

MIKILVÆGT: hreinsaðu fitusíurnar að minnsta kosti einu sinni í mánuði til að fjarlægja allar olíu- eða fituleifar.

Þvottur fitusíunnar

Málmfitusían hefur ótakmarkaðan endingartíma og þarf að þvo einu sinni í mánuði í höndunum eða í uppþvottavél við lagan hita á stuttu prógrammi.

Ef hún er þvegin í uppþvottavél getur fitusían mislitast lítillega en síunareiginleikar hennar breytast ekki.

Viðhald kolasíu.

Lyktarvarnarsíuna verður að þvo og endurnýja á 3-4 mánaða fresti (eða oftar ef háfurinn er í mikilli notkun), að hámarki 8 endurnýjunarlotur (ef um sérstaklega mikla notkun er að ræða er ráðlegt að fara ekki yfir 5 lotur).

Endurnýjunarferli

- Þvoið í uppþvottavél við hámarkshita 70°C eða í höndunum í volgu vatni án þess að nota slípisvampa (notið ekki þvottaefni!)
- Þurrkaðu í ofni við hámarkshita 70°C í 2 klukkustundir, eða láttu hana þorna við stofuhita, settu síuna í upprétta stöðu til að auðvelda frárennsli vatns.

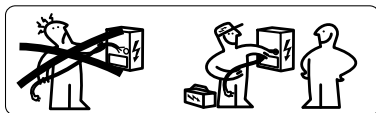
Viðhald ljósaperu

Háfurinn er búin LED ljósakerfi.

LED-ljós veita bestu lýsingu, endast allt að 10 sinnum lengur en hefðbundnir lampar og spara 90% af rafmagni.

Til að skipta um þau skal hafa samband við viðurkennda þjónustumiðstöð.

Rafmagnstenging



⚠ VIÐVÖRUN: Allar raftengingar skal viðurkenndur uppsetningaraðili annast. Gakktu úr skugga um að spennan sem tilgreind er á vöruplötunni samsvari netspennunni.

Þessar upplýsingar er að finna inni í háfnum, fyrir neðan fitusíuna.

⚠ VIÐVÖRUN: Ef háfurinn er búin kló, tengdu tækið við innstungu sem er í samræmi við gildandi staðla, staðsett á aðgengilegu svæði. Með háfnum fylgir

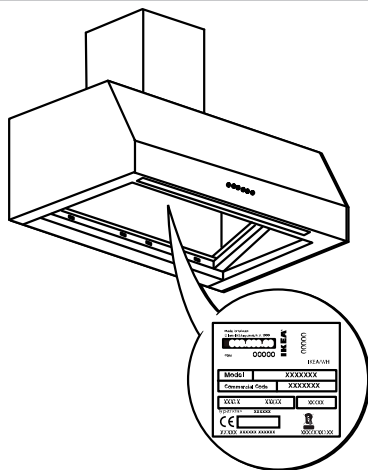
sérstök rafmagnssnúra (gerð H05 VV-F); ef hún er skemmd skaltu biðja tækniástoð um að skipta um hana.

Ef hann er ekki búinn innstungu (bein tenging við rafmagn) eða ef næsta veggengi er ekki á aðgengilegu svæði, settu upp staðlaðan tvípóla rofa sem veitir algjöra einangrun frá rafmagni ef um flokk III yfirspennu er að ræða í samræmi við raflagnareglur.

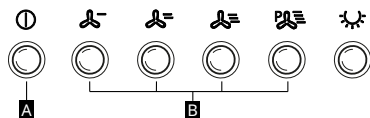
⚠ VIÐVÖRUN: Sjóðið ekki snúrurnar!

Gagnaplata

Tækniupplýsingarnar eru tilgreindar á plötunni á innri hlið tækisins



Stjórnborð



- A** SLÖKKVA-hnappur mótór
- B** KVEIKJA-hnappur mótór

ÁBYRGÐ IKEA

Hversu löng er ábyrgð IKEA?

Þessi ábyrgð gildir í 5 ár frá kaupdegi/ afhendingardegi á tækinu þínu frá IKEA-verslun. Þú þarft að sýna upprunalega kvittun sem sönnun fyrir kaupum. Sú þjónusta sem framkvæmd er á ábyrgðartímanum framlengir ekki ábyrgðartímann.

Hver veitir þjónustuna?

Aðstoðarþjónustan sem IKEA hefur valið og viðurkennt mun veita þjónustuna í gegnum net viðurkenndra þjónustuaðila.

Hvað nær þessi ábyrgð yfir?

Ábyrgðin nær til hvers kyns framleiðslugalla (virknigalla), frá kaupdegi/ afhendingardegi tækisins. Þessi ábyrgð gildir eingöngu fyrir heimilisnotkun. Öllum undantekningum er lýst undir „Hvað fellur ekki undir ábyrgðina?“. Á ábyrgðartímanum, viðgerðarkostnaður (varahlutir, vinnu- og ferðakostnaður tæknimanna) greiðist

af hálfu aðstoðarþjónustunnar, enda hafi aðgangur að búnaði til viðgerðarvinnu ekki í för með sér sérstakan kostnað. Þessir skilmálar eru í samræmi við tilskipanir ESB (nr. 99/44/EC) og staðbundnar reglugerðir. Allir íhlutir sem skipt er um verða eign IKEA.

Hvernig mun IKEA leysa vandamálið?

Aðstoðarþjónustan sem IKEA skipar til að framkvæma inngripni mun skoða vöruna og ákveða, að eigin vild, hvort hún falli undir ábyrgðina eða ekki. Aðstoðarþjónusta IKEA eða viðurkenndur þjónustuaðili hennar, í gegnum viðkomandi þjónustumiðstöðvar, mun að eigin vali gera við gölluðu vöruna eða skipta henni út fyrir sambærilega vöru eða jafn verðmæta vöru.

Hvað fellur ekki undir ábyrgðina?

- Eðlilegt slit
- Tjón af ásettu ráði, tjón sem stafar af því að ekki er farið eftir notkunarleiðbeiningum, rangri uppsetningu eða tengingu við ranga spennu. Tjón af völdum efna- eða

rafefnafræðilegra viðbragða, ryðs, tæringar eða skemmda af völdum vatns, þar á meðal skemmdir af völdum of mikils kalks í vatnslögnum. Tjón af völdum veðurs og náttúrulegra atburða.

- Rekstrarvörur, þar á meðal rafhlöður og ljósaperur.
- Skemmdir á óvirkum og skrauthlutum sem hafa ekki áhrif á eðlilega notkun tækisins, þar með talið rispúr og litamunur.
- Slysastjón af völdum aðskotahluta eða efna og skemmdir af völdum hreinsunar eða úrtekningu stíflu frá sífum, frárennsliskerfum eða þvottaefnisbökkum.
- Skemmdir á eftirtöldum hlutum: glerkeramik, fylgihlutum, körfum fyrir hnífapör og borðbúnað, aðveitu- og frárennslisrörum, ljósaperum og ljósaperuhlífum, ristum, hnöppum, húðun og hluta af húðun. Nema hægt sé að sanna að slíkt tjón hafi verið af völdum framleiðslumistaka.
- Tilvik þar sem notkunargallar finnast ekki af tæknimanni við skoðun.
- Viðgerðir sem ekki eru framkvæmdar af viðurkenndri aðstoðarþjónustu okkar og/eða af viðurkenndum samningsbundnum þjónustuaðila eða ef notaðir eru óupprunalegir varahlutir.
- Viðgerðir vegna rangrar uppsetningar eða uppsetningu sem er ekki í samræmi við skilgreiningar.
- Tilvik óviðeigandi notkunar og/eða notkunar tækisins utan heimilis, t.d. notkunar í atvinnuskyni.
- Flutningstjón. Ef það er viðskiptavinurinn sem flytur vöruna heim til sín eða á annað heimilisfang ber IKEA enga ábyrgð á tjóni sem kann að verða við flutning. Aftur á móti, ef IKEA afhendir vöruna á heimilisfang viðskiptavinarins, munu allar skemmdir á vörinni við flutning vera á ábyrgð IKEA.

- Kostnaður vegna fyrstu uppsetningar á IKEA tækinu. Hins vegar, ef IKEA þjónustuaðili eða viðurkenndur samstarfsaðili þess gerir við eða skiptir um tækið innan skilmála þessarar ábyrgðar, mun þjónustuaðilinn eða viðurkenndur samstarfsaðili setja upp viðgerða tækið aftur eða setja upp skiptitækið, ef þörf krefur. Þessar takmarkanir eiga ekki við um reglubundna vinnu sem unnin er af hæfum tæknimönnum með upprunalega varahluti til að aðlaga tækið að tæknilegum öryggisreglum annars ESB-lands.

Beiting landsbundinna laga

Viðskiptavinurinn er eigandi réttindanna sem kveðið er á um í ítalska lagaúrskurðinum nr.206/2005 og þessi 5 (fimm) ára IKEA ábyrgð hefur ekki áhrif á þessi réttindi sem uppfylla eða framlengja lágmarks lagaleg réttindi hvers lands hvað varðar ábyrgð. Þessir skilmálar takmarka þó ekki rétt viðskiptavinarins, eins og hann er skilgreindur í staðbundnum lögum, á nokkurn hátt.

Gildissvæði

Fyrir tæki sem keypt eru í einu ESB-landi og flutt til annars ESB-lands verður þjónustan veitt í samræmi við þá ábyrgðarskilmála sem gilda í nýja landinu. Skyldan að veita þjónustuna á grundvelli ábyrgðarskilmálanna er aðeins fyrir hendi ef tækið er í samræmi við og er sett upp í samræmi við:

- tækniforskriftir þess lands þar sem ábyrgðin er í gildi;
- öryggisupplýsingarnar í samsetningarleiðbeiningunum og í notendahandbókinni.

Sérstök ASSISTANCE þjónusta fyrir IKEA tæki

Hikið ekki við að hafa samband við viðurkennda þjónustumiðstöð sem tilnefnd er af IKEA til að:

- óska eftir tæknilegri aðstoð á ábyrgðartímanum
- óska eftir upplýsingum um notkun IKEA-tækja.

Til að tryggja að þú fáið sem besta aðstoð, vinsamlegast lestu samsetningarleiðbeiningarnar og/eða notkunarhandbók vörunnar vandlega áður en þú hefur samband við okkur.

Hvernig hafa skal samband við okkur ef þú þarfnast aðstoðar



Vinsamlegast hafið samband við þjónustuver IKEA. Þú finnur símanúmerið á síðustu síðu þessarar handbókar.

i Til að veita þér hraðari þjónustu mælum við með því að þú notir símanúmerin sem listuð eru í þessari handbók. Gefðu alltaf upp númerin sem tilgreind eru í handbók tækisins sem þú þarft aðstoð varðandi. Við ráðleggjum þér að hafa alltaf tiltækan IKEA-kóðann (8 tölustafir) og 12 stafa kóðann sem tilgreindur er á miðanum á vörunni þinni.

i GEYMIÐ KAUP-/ AFENDINGARSKJÖLIN!

Þau eru sönnun fyrir kaupunum og ábyrgðin gildir ekki án þeirra. Á kvittuninni er einnig nafn og IKEA-vörunúmer (8 tölustafir) fyrir hvert keypt tæki.

Þarftu frekari hjálp?

Fyrir allar upplýsingar sem ekki fela í sér aðstoð, vinsamlegast hafðu samband við þjónustuver IKEA-verslunar þinnar. Vinsamlega lestu tækniskjölina sem fylgja tækinu þínu vandlega áður en þú hefur samband við okkur.

Instrukcje bezpieczeństwa

i Przed pierwszym użyciem

Aby chronić własne bezpieczeństwo i zapewnić prawidłowe funkcjonowanie urządzenia, przed jego pierwszym zainstalowaniem i włączeniem, należy przeczytać niniejszą instrukcję. Uważnie zapoznać się z ilustracjami ostrzegawczymi znajdującymi się na początku niniejszej instrukcji. Aby zapewnić prawidłową i kompletną instalację, powołać się na informacje wskazane w odpowiedniej instrukcji instalacji dostarczonej wraz z produktem.

Niniejszą instrukcję przechować w pobliżu urządzenia i przekazać nowemu właścicielowi w przypadku zbycia lub przeniesienia. Ważne jest, aby użytkownicy zapoznali się z charakterystyką funkcjonalną i bezpieczeństwem urządzenia.

⚠ Jest to symbol ostrzeżenia związany z bezpieczeństwem, który informuje o potencjalnym zagrożeniu dla użytkownika i innych osób.


Wszystkie komunikaty dotyczące bezpieczeństwa będą poprzedzone symbolem ostrzeżenia i następującymi słowami:

⚠ ZAGROŻENIE: wskazuje sytuację niebezpieczną która, jeśli się jej nie uniknie, spowoduje poważne obrażenia ciała.

⚠ OSTRZEŻENIE: wskazuje sytuację niebezpieczną która, jeśli się jej nie uniknie, może spowodować poważne obrażenia ciała.

Wszystkie ostrzeżenia bezpieczeństwa zawierają szczegółowe informacje dotyczące potencjalnego zagrożenia oraz wskazania pozwalające na ograniczenie ryzyka szkód i porażenia prądem elektrycznym, do którego może dojść w przypadku nieprawidłowego używania urządzenia. Dokładnie przestrzegać niżej wskazanych instrukcji.

- Sprawdzić, czy urządzenie nie uległo uszkodzeniu w czasie transportu

- Usunąć osłony kartonowe, folie ochronne i nalepki z akcesoriów.
- Instalacja i podłączenie elektryczne muszą być wykonane przez wykwalifikowanego technika, zgodnie z instrukcjami producenta i z normami lokalnymi obowiązującymi w dziedzinie bezpieczeństwa. Nie naprawiać i nie wymieniać żadnej z części urządzenia, chyba że zostało to wyraźnie wskazane w instrukcji.
- Przed przystąpieniem do jakiegokolwiek czynności montażowej, należy odłączyć urządzenie od sieci elektrycznej.
- **⚠ OSTRZEŻENIE:** niezainstalowanie śrub lub innych elementów mocujących, jak wskazano w niniejszej instrukcji, może spowodować zagrożenie elektryczne.
- Zgodnie z prawem, uziemienie urządzenia jest obowiązkowe. (Nie dotyczy okapów klasy II oznaczonych symbolem  na tabliczce identyfikacyjnej).
- Nie należy ciągnąć za kabel zasilania urządzenia w celu jego wyciągnięcia z gniazdka.
- Po zakończeniu montażu, elementy elektryczne nie mogą być dostępne dla użytkownika.
- Nie dotykać urządzenia mokrymi częściami ciała i nie korzystać z niego na boso.
- Przedmiotowe urządzenie nie może być używane przez dzieci poniżej 8 roku życia i o ograniczonej zdolności fizycznej, sensorycznej lub umysłowej lub nie posiadające niezbędnej wiedzy i doświadczenia, chyba że są nadzorowane lub instruowane w zakresie bezpiecznego używania urządzenia i rozumieją związane z tym ryzyko. Należy pilnować dzieci, aby nie bawiły się urządzeniem. Czyszczenie i konserwacja zwyczajna nie mogą być wykonywane przez dzieci bez opieki osoby dorosłej.
- Wszelkie inne czynności serwisowe muszą być wykonywane przez wyspecjalizowanego technika.

- W czasie wiercenia ściany uważać, aby nie uszkodzić połączeń elektrycznych i/lub przewodów rurowych.
- Przewody wentylacyjne muszą być zawsze poprowadzone na zewnątrz.
- Producent uchyla się od jakiegokolwiek odpowiedzialności za szkody spowodowane nieprawidłowym użytkowaniem lub niewłaściwymi ustawieniami.
- Konserwacja i czyszczenie zapewniają prawidłową pracę i zwiększenie wydajności urządzenia. Regularnie czyszczyć powierzchnię z nieczystości, aby uniknąć kumulacji tłuszczu. Regularnie usuwać, oczyszczać i wymieniać filtr. W tym celu postępować zgodnie z instrukcjami wskazanymi w rozdziale „Czyszczenie i konserwacja”.
- Nie należy flambirować potraw pod urządzeniem. Używanie otwartego płomienia może spowodować pożar.
- Nieprzestrzeganie instrukcji dotyczących czyszczenia okapu i brak wymiany i oczyszczania filtrów powoduje ryzyko pożaru.
- Odprowadzane powietrze nie może być kierowane do kanału używanego do odprowadzania spalin urządzeń spalinywych zasilanych gazem lub innymi paliwami, ale musi mieć własny niezależny wylot.
- Należy przestrzegać wszystkich krajowych przepisów dotyczących odprowadzania powietrza.
- Należy zapewnić odpowiednią wentylację w przypadku gdy okapu używa się łącznie z innymi urządzeniami, które wykorzystują gaz lub inne paliwa. Podciśnienie pomieszczenia nie może być większe niż 4 Pa (4×10^{-5} bar). W związku z tym, należy się upewnić że w pomieszczeniu zapewniono odpowiednią wentylację. W przypadku wątpliwości skontaktować się z autoryzowanym punktem serwisowym lub z wykwalifikowanym technikiem.
- Podczas głębokiego smażenia nie pozostawiać bez nadzoru patelni na palnikach, ponieważ olej używany do smażenia może się zapalić.
- Przed dotknięciem żarówek upewnić się, że są zimne.
- Nie używać i nie pozostawiać okapu bez prawidłowo zamontowanej żarówki, w przeciwnym wypadku może wystąpić zagrożenie porażeniem prądem elektrycznym.
- Okap nie stanowi powierzchni oparcia. Nie należy kłaść na nim żadnych przedmiotów, aby uniknąć przeciążenia.
- W czasie wszystkich czynności instalacji i konserwacji używać odpowiednich rękawic roboczych.
- Urządzenie nie jest odpowiednie do użycia w środowisku zewnętrznym.

⚠ OSTRZEŻENIE: w czasie funkcjonowania płyty grzewczej, części łatwo dostępne mogą bardzo się nagrzać.

⚠ OSTRZEŻENIE: niniejsze urządzenie jest ciężkie; okap może być podniesiony i zainstalowany wyłącznie przez co najmniej dwie osoby. Minimalna odległość pomiędzy płytą grzewczą a dolną częścią okapu nie może być mniejsza niż 65 cm, w przypadku płyt gazowych lub spalających inne paliwa, i 50 cm, w przypadku płyt elektrycznych. Przed przystąpieniem do montażu należy również sprawdzić minimalne odległości podane w instrukcji obsługi płyty grzewczej. Jeżeli w instrukcji montażu płyty grzewczej podana jest większa odległość, należy jej przestrzegać.

Instalacja

Okap został zaprojektowany w celu zainstalowania i używania w trybie „ssania” lub „recyrkulacji”.

Wersja ssąca (zobacz symbol  w instrukcjach dotyczących instalacji)

Para gotowania jest zasysana i przenoszona na zewnątrz budynku za pomocą rury odprowadzającej (nie dostępna w wyposażeniu), podłączonej na wylocie pary okapu.

Upewnić się, że rura odprowadzająca jest zamontowana poprawnie na wylocie powietrza, za pomocą odpowiedniego systemu połączeniowego.

Ważne: jeżeli został/y już zainstalowany/e, usunąć filtr/y węglowy/e.

Wersja z recyrkulacją powietrza

(zobacz symbol  w instrukcjach dotyczących instalacji)

Powietrze jest filtrowane poprzez jeden lub większą liczbę filtrów i następnie ponownie przenoszone do pomieszczenia.

Ważne: upewnić się, że wewnątrz okapu zapewniony został prawidłowy obieg powietrza.

Ważne: jeżeli okap nie jest wyposażony w filtry węglowe, przed użyciem urządzenia, należy je zamówić i zamontować. Filtry są dostępne w sklepach IKEA.

Okap musi być zainstalowany z dala od obszarów o szczególnie wysokim stopniu zanieczyszczenia, okien, drzwi i źródeł ciepła.

Akcesoria niezbędne dla zamocowania na ścianie nie są dostępne w wyposażeniu, gdyż ściany wykonane z różnych materiałów wymagają zastosowania różnych elementów mocujących. W celu zamocowania urządzenia na ścianach pomieszczenie zastosować systemy mocujące odpowiednie dla jego ciężaru. Większej ilości szczegółowych informacji udziela wyspecjalizowany dystrybutor.

Przechować niniejsze instrukcje, aby umożliwić odniesienie się do nich w przyszłości.

Porady w zakresie ochrony środowiska


Materiał opakowania

Opakowanie może być w 100% poddane recyklingowi i jest oznaczone symbolem

recyklingu 

Poszczególnych części opakowania nie należy pozostawiać w środowisku naturalnym, lecz utylizować zgodnie z normami obowiązującymi lokalnie.



Symbol  umieszczony na produkcie lub w załączonej dokumentacji oznacza, że produkt nie może być utylizowany jako odpad domowy i powinien zostać dostarczony do odpowiedniego punktu zbiórki sprzętu elektrycznego i elektronicznego.

Czyszczenie i konserwacja

OSTRZEŻENIE

- Odłączyć okap od zasilania elektrycznego
- Oczyszczyć powierzchnie za pomocą wilgotnej szmatki. W przypadku silnego zabrudzenia dodać do wody parę kropli płynu do naczyń. Osuszyć za pomocą suchej szmatki.
- Nie używać narzędzi lub innych narzędzi do czyszczenia.
- Unikać używania myjek parowych

WAŻNE: nie używać detergentów korozyjnych lub ściernych. Jeżeli tego typu środek przypadkowo wejdzie w kontakt z urządzeniem, należy natychmiast oczyścić wilgotną ściereczką.

Stosować detergenty przeznaczone specjalnie do czyszczenia urządzenia i przestrzegać instrukcji producenta.

Nie używać ściernych gąbek lub metalowych skrobaków. Przy dłuższym stosowaniu powodują one niszczenie powierzchni

WAŻNE: filtry przeciw tłuszczowe oczyszczać co najmniej raz w miesiącu, aby usunąć resztki oleju lub smaru.

Jak myć filtr przeciw tłuszczowy

Metalowy filtr przeciw tłuszczowy charakteryzuje się ograniczoną trwałością i musi być myty co najmniej raz w miesiącu, ręcznie lub w zmywarce, w niskich temperaturach lub z użyciem krótkiego programu.

W przypadku mycia w zmywarce kolor filtra przeciw tłuszczowego może ulec nieznacznemu płowieniu, lecz jego zdolność filtracyjna się nie zmienia.

Konserwacja filtra węglowego.

Filtr przeciwzapachowy musi być myty i regenerowany co 3-4 miesiące (lub częściej, w przypadku intensywnego użytkowania okapu), do maksymalnie 8 cykli regeneracji (w przypadku szczególnie intensywnego użytkowania, zaleca się nieprzekraczanie 5 cykli).

Procedura regeneracji

- Myć w zmywarce w temperaturze maksymalnie 70°C lub ręcznie w ciepłej wodzie, bez używania ściernych gąbek (nie używać środków czyszczących!)
- Osuszyć w piecu, w temperaturze maksymalnie 70°C, przez 2 godziny, lub pozostawić do osuszenia w temperaturze otoczenia ustawiając filtr w pozycji pionowej, aby ułatwić odpływ wody.

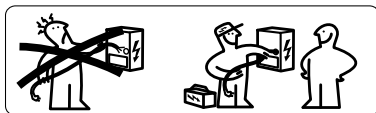
Konserwacja oświetlenia

Okap jest wyposażony w system oświetlenia LED.

Diody LED gwarantują idealne oświetlenie; działają 10 razy dłużej niż tradycyjne żarówki i gwarantują do 90% oszczędności energii elektrycznej.

W celu wymiany skontaktować się z Autoryzowanym Centrum Serwisowym.

Podłączenie elektryczne



⚠ OSTRZEŻENIE: Wszystkie połączenia elektryczne muszą być wykonane przez upoważnionego instalatora. Sprawdzić, czy napięcie wskazane na tabliczce produktu jest zgodne z napięciem w sieci.

Informacje te znajdują się po wewnętrznej stronie okapu, pod filtrem przeciw tłuszczowym.

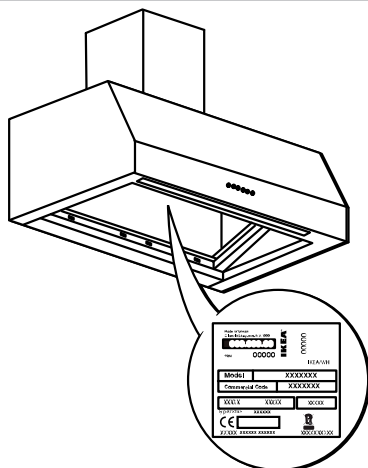
⚠ OSTRZEŻENIE: Jeżeli okap jest wyposażony we wtyczkę, podłączyć urządzenie do gniazdka zgodnego z obowiązującymi przepisami, znajdującego się w dostępnym miejscu. Okap jest wyposażony w specjalny kabel zasilający (typ H05 VV-F); w przypadku uszkodzenia, zamówić nowy element w punkcie serwisowym.

Jeżeli nie jest wyposażony we wtyczkę (bezpośrednie podłączenie do sieci) lub jeżeli gniazdko nie znajduje się w dostępnym miejscu, należy zainstalować znormalizowany wyłącznik dwupolowy zapewniający całkowitą izolację od sieci w przypadku przepięcia kategorii III, zgodnie z przepisami dotyczącymi okablowania.

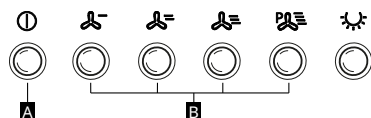
⚠ OSTRZEŻENIE: Nie wykonywać zgrzewania kabli!

Tabliczka znamionowa

Dane techniczne zostały wskazane na tabliczce znajdującej się po wewnętrznej stronie urządzenia



Panel sterowania



- A** Przycisk OFF Silnika
- B** Przycisk ON Silnika

GWARANCJA IKEA

Jak długo obowiązuje gwarancja IKEA?

Gwarancja jest udzielana na 5 lata licząc od daty nabycia/dostawy urządzenia gospodarstwa domowego w sklepie IKEA. Należy okazać oryginalny paragon będący dowodem zakupu. Ewentualne interwencje pomocy technicznej, wykonane w okresie gwarancyjnym, nie powodują wydłużenia gwarancji.

Kto świadczy usługę?

Usługę wykona, dzięki własnej sieci autoryzowanych partnerów serwisowych, wybrany i autoryzowany przez IKEA punkt serwisowy.

Co obejmuje gwarancja?

Gwarancja pokrywa wady produkcyjne (funkcjonalne) urządzenia gospodarstwa domowego i obowiązuje od daty nabycia/

dostawy urządzenia. Gwarancja ma zastosowanie wyłącznie w zakresie używania urządzenia gospodarstwa domowego. Wyłączenia zostały opisane w punkcie „Czego nie obejmuje gwarancja?”. W okresie gwarancyjnym, koszty naprawy (części zamienne, robocizna i podróż personelu technicznego) zostaną pokryte przez punkt serwisowy, pod warunkiem, że interwencja naprawy urządzenia nie wiąże się z koniecznością poniesienia kosztów szczególnych. Warunki te są zgodne z postanowieniami dyrektyw UE (Nr 99/44/WE) i norm lokalnych. Wymienione komponenty stają się własnością IKEA.

Jak interweniuje IKEA w celu rozwiązania problemu?

Punkt serwisowy autoryzowany przez IKEA do wykonania usługi zbada produkt i zdecyduje, wedle własnego niepodważalnego uznania, czy nieprawidłowość wchodzi w zakres gwarancji. Punkt serwisowy IKEA lub autoryzowany partner serwisowy, w odpowiednich punktach pomocy technicznej, wedle własnego niepodważalnego uznania, naprawi wadliwy produkt lub wymieni go na produkt równoważny lub o takiej samej wartości.

Czego nie obejmuje gwarancja?

- Normalnego zużycia
- Szkód spowodowanych celowo, szkód spowodowanych nieprzestrzeganiem instrukcji obsługi, szkód spowodowanych przez nieprawidłowo wykonaną instalację lub przez podłączenie do nieprawidłowego napięcia. Szkód spowodowanych reakcjami chemicznymi lub elektrochemicznymi, rdzą, korozją lub szkód spowodowanych przez wodę, łącznie ze szkodami spowodowanymi przez nagromadzenie kamienia w przewodach wodnych. Szkód spowodowanych przez czynniki atmosferyczne i zdarzenia naturalne.
- Części ulegających zużyciu, łącznie z bateriami i żarówkami.
- Szkód na elementach niefunkcyjnych i dekoracyjnych, które nie wpływają na używanie urządzenia gospodarstwa domowego, łącznie z zarysowaniami i plowieniem koloru.
- Szkód przypadkowych, spowodowanych przez ciała lub substancje obce i szkód spowodowanych w czasie czyszczenia lub usuwania zatorów na filtrach, systemach odprowadzających lub szuflad na środek czyszczący.
- Szkód na następujących elementach: z tworzywa szklano-ceramicznego, akcesoria, kosze na sztućce i naczynia stołowe, rury zasilające i odprowadzające, uszczelki, żarówki i korpusy żarówek, kratki, pokręta, powłoki i elementy wykończeniowe. Chyba że można udowodnić, że szkody zostały spowodowane przez błędy produkcyjne.

- Przypadków, w których w czasie wizyty technika nie zostaną stwierdzone wady funkcjonalne.
- Napraw, które nie zostały wykonane przez nasz autoryzowany punkt serwisowy i/lub przez autoryzowanego, związanego umową, partnera, lub w przypadku używania nieoryginalnych części zamiennych.
- Napraw wymaganych w związku z wykonaniem nieprawidłowej instalacji ub niezgodnej ze specyfikacjami.
- W przypadku używania nieprawidłowego i/lub poza obszarem domowym, np. w obszarze przemysłowym.
- Szkód spowodowanych w czasie transportu. Jeżeli klient zdecyduje o samodzielnym przetransportowaniu produktu do swojego domu lub pod inny adres, IKEA nie poniesie jakiegokolwiek odpowiedzialności za ewentualne szkody transportowe. Natomiast w przypadku gdy transport produktu na adres klienta zostanie wykonany przez IKEA, koszty za ewentualne szkody transportowe poniesie IKEA.
- Kosztów związanych z pierwszą instalacją urządzenia gospodarstwa domowego IKEA. Jednakże, jeżeli dostawca usług IKEA lub jej autoryzowany partner wykona naprawę lub wymieni urządzenia, zgodnie z warunkami niniejszej gwarancji, dostawca lub autoryzowany partner wykonają ponowną instalację urządzenia naprawionego lub zastępczego. Ograniczenia te nie mają zastosowania dla interwencji wykonanych przez wykwalifikowany personel techniczny, z zastosowaniem oryginalnych części zamiennych, w celu dostosowania urządzenia do norm technicznych bezpieczeństwa obowiązujących w innym kraju UE.

Stosowanie praw krajowych

Klient jest posiadaczem praw przewidzianych we włoskim dekrety z mocą ustawy nr 206/2005 i niniejsza

gwarancja IKEA udzielana na 5 (pięć) lat nie narusza tychże praw, które spełniają lub poszerzają minimalne prawa gwarancyjne obowiązujące w każdym kraju. Warunki te nie ograniczają jednakże, w jakikolwiek sposób, praw konsumenta przewidzianych w przepisach obowiązujących lokalnie.

Obszar obowiązywania

W przypadku urządzeń gospodarstwa domowego nabytych w kraju UE i przetransportowanych do innego kraju UE usługi będą świadczone w zależności od warunków gwarancyjnych mających zastosowanie w nowym kraju użytkowania. Obowiązek świadczenia usługi, w zależności od warunków gwarancyjnych, istnieje wyłącznie, kiedy urządzenie gospodarstwa domowego jest zgodne i zainstalowane zgodnie z:

- specyfikacjami technicznymi obowiązującymi w kraju, w którym składa się wniosek o zastosowanie gwarancji;
- informacjami bezpieczeństwa wskazanymi w instrukcjach dotyczących montażu i w instrukcji użytkownika.

Usługi SERWISOWE przewidziane dla urządzeń IKEA

Prosimy o kontakt z Punktem Serwisowym autoryzowanym przez IKEA w celu:

- kierowania próśb o pomoc techniczną w okresie gwarancyjnym
- uzyskania informacji dotyczących funkcjonowania urządzeń gospodarstwa domowego IKEA.

Aby zapewnić jak najlepszą jakość naszych usług, przed skontaktowaniem się z nami, prosimy o uważne przeczytanie instrukcji dotyczących montażu i/lub instrukcji obsługi produktu.

Jak się z nami skontaktować, aby uzyskać pomoc techniczną



Prosimy o kontakt z numerem punktu serwisowego IKEA wskazanym na ostatniej stronie niniejszej instrukcji.

i Aby zapewnić jak najszybsze zrealizowanie usługi, prosimy o kontakt na jeden z numerów telefonicznych wskazanych w niniejszej instrukcji. Należy się zawsze powołać na numery wskazane w instrukcji urządzenia, którego dotyczy wniosek o pomoc techniczną. Zalecamy, aby zachować dostęp do kodu IKEA (8 cyfr) i do kodu składającego się z 12 cyfr, które są wskazane na etykiecie zakupionego produktu.

i ZACHOWAĆ DOWÓD SPRZEDAŻY/ DOSTAWY!

Dokument ten stanowi dowód zakupu i należy go obowiązkowo okazać, aby zachować ważność gwarancji. Na paragonie wydawanym dla każdego nabytego urządzenia wskazane są nazwa i kod artykułu IKEA (8 cyfr).

Czy konieczna jest dodatkowa pomoc?

Dodatkowych informacji dotyczących pomocy technicznej udzieli Punkt Obsługi Klienta znajdujący się w punkcie sprzedaży IKEA. Przed skontaktowaniem się z nami, prosimy o uważne przeczytanie dokumentacji technicznej dotyczącej urządzenia gospodarstwa domowego.

Güvenlik talimatları

ⓘ İlk kullanımdan önce

Gerek kendi güvenliğiniz, gerekse cihazın düzgün çalışması için kurulum ve hizmete alma işlemlerinden önce bu kılavuzu dikkatle okumanız rica edilir. Bu kılavuzun başlangıcında yer alan uyarı görsellerine dikkatle bakın. Kurulumu doğru ve eksiksiz bir şekilde yapmak için, ürünle birlikte gelen özel kurulum kılavuzuna başvurun. Elinizden çıkarsanız veya üçüncü kişilere devretseniz dahi, bu kılavuzu daima cihazla birlikte bulundurun. Kullanıcıların cihazın çalışma ve güvenlik özelliklerinin hepsini bilmesi önemlidir.

⚠ Bu işaret tehlike işaretidir, güvenlikle ilgilidir, kullanıcı ve başkaları açısından potansiyel riskler konusunda ikaz eder. Güvenlikle ilgili tüm iletilerden önce bu tehlike işareti ve aşağıdaki ibareler yer alacaktır:


⚠ **TEHLİKE:** Önlenmemesi halinde ağır yaralanmalara neden olacak tehlikeli bir durumu bildirir.

⚠ **UYARI:** Önlenmemesi halinde ağır yaralanmalara neden olabilecek tehlikeli bir durumu bildirir.

Tüm güvenlik uyarıları muhtemel tehlikeye özgü ayrıntıların yanı sıra, cihazın uygun olmayan şekilde kullanılması sonucu ortaya çıkabilecek yaralanma, hasar ve elektrik çarpması gibi risklerin nasıl azaltılacağına dair talimatları içerir. Aşağıda verilen talimatları dikkatle uygulayın.

- Cihazda nakliye kaynaklı hasar bulunmadığını kontrol edin
- Karton korumaları, koruyucu örtüleri ve yapııştırma etiketleri aksesuarlardan çıkarın.
- Kurulum ve elektrik bağlantısı ehil personel tarafından, üreticinin talimatlarına göre ve güvenlik konusundaki yerel yönetmeliklere

uygun şekilde yapılmalıdır. Kullanım kılavuzunda özellikle tavsiye edilmedikçe cihazın hiçbir kısmını onarmayın veya değiştirmeyin.

- Herhangi bir kurulum işlemine başlamadan önce cihazın elektrik bağlantısını kesmek gerekir.
- ⚠ **UYARI:** Vidaların veya tespit elemanlarının bu talimatlarda belirtilen şekilde takılmaması, elektrikle ilgili tehlikelere neden olabilir.
- Yasalar gereği cihazın toprak bağlantısının yapılması zorunludur. (Seri numarası plakasında  simgesiyle tanımlanan sınıf II davlumbazlarda olanaklı değildir).
- Cihazın elektrik priziyle olan bağlantısını kesmek için elektrik kablосundan çekmeyin.
- Kurulum tamamlandıktan sonra elektrikli bileşenler kullanıcının erişemeyeceği şekilde olmalıdır.
- Elleriniz yaşken cihaza dokunmayın ve cihazı ayaklarınız çıplakken kullanmayın.
- Bu cihaz, 8 yaşından büyük çocuklar ile bedensel, duyuşsal veya zihinsel becerileri düşük veya yeterli deneyim ve bilgiden yoksun kişilerce yalnızca gözetim altında bulundurulmaları ve cihazın güvenli kullanımı ile içerdiği riskler konusunda talimat almış olmaları şartıyla kullanılabilir. Cihazla oynamadıklarından emin olmak için çocuklar kontrol altında tutulmalıdır. Temizlik ve normal bakım işlemleri bir yetişkinin gözetimi olmadan çocuklar tarafından yapılmamalıdır.
- Tüm diğer bakım hizmetleri uzman bir teknisyen tarafından yapılmalıdır.
- Duvarda delik açarken elektrik bağlantıları ve/veya borulara zarar vermeye dikkat edin.
- Havalandırma açıklıkları daima boşluğa tahliye yapılmalıdır.

- İmalatçı, uygunsuz kullanımdan veya ayarların hatalı yapılmasından kaynaklı zararlarda hiçbir sorumluluğu kabul etmez.
- Yeterli düzeyde bakım ve temizlik yapmak cihazın düzgün çalışmasını ve en yüksek performans göstermesini güvence altına alır. Yağ birikmelerini önlemek için yüzeylerdeki inatçı kirlerin tümünü düzenli olarak temizleyin. Filtreyi sökün ve düzenli olarak temizleyin veya değiştirin. Bu işlem için "Temizlik ve bakım" bölümünde verilen talimatları uygulayın.
- Cihazın altında alevde pişirilen tipte ("flambé") yiyecekleri pişirmeyin. Açık alev kullanmak yangına neden olabilir.
- Davlumbazda temizlik ve filtre değiştirme veya temizleme talimatlarına uyulmaması yangın riskine neden olur.
- Tahliye edilen hava, gaz veya başka yakıtları kullanan cihazların çıkardıkları dumanları tahliye etmekte kullanılan bir bacaya değil, bağımsız bir çıkışa açılmalıdır.
- Hava tahliyesiyle ilgili tüm ulusal yönetmeliklere uygun hareket edilmelidir.
- Davlumbaz gaz veya başka yakıtları kullanan diğer cihazlarla birlikte kullanılacaksa, yeterli bir havalandırma sağlanmalıdır. Bulunulan yerdeki negatif basınç 4 Pa (4 x 10-5 bar) değerini aşmamalıdır. Bundan dolayı bulunulan yerde iyi bir havalandırma olduğundan

emin olun. Şüpheye düşerseniz, yetkili teknik servis merkezine veya ehil bir uzmana başvurun.

- Kızartmada kullanılan yağ alev alabileceğinden, yiyecek kızartırken tavaları ateşte gözetimsiz halde bırakmayın.
- Lambalara dokunmadan önce soğuduklarından emin olun.
- Elektrik çarpmasına neden olacağından, lambayı düzgün şekilde monte etmeden davlumbazı kullanmayın ve bu şekilde bırakmayın.
- Davlumbaz bir eşya koyma yüzeyi değildir, bundan dolayı üzerine eşya koymayın veya aşırı yük bindirmeyin.
- Tüm kurulum ve bakım işlemlerinde uygun iş eldiveni kullanın.
- Cihaz dış mekanda kullanılmaya uygun değildir.


⚠ UYARI: Ocak çalışırken davlumbazın erişilebilen kısımları ısınabilir.

⚠ UYARI: Bu cihaz ağırdır; davlumbaz yalnızca iki veya daha fazla kişi tarafından kaldırılabilir ve kurulabilir. Ocak ile davlumbazın alt kısmı arasındaki mesafe gaz veya başka yakıtları kullanan ocaklarda 65 cm ve elektrik ocaklarında 50 cm değerinin altında olmamalıdır. Kurulumu yapmadan önce ocak kılavuzunda belirtilen asgari mesafeleri de kontrol edin. Ocağın kurulum talimatlarında daha büyük bir mesafe belirtiliyorsa, bu mesafeye uygun hareket edilmelidir.

Kurulum

Davlumbaz "havayı dışarı atan" veya "havayı geri içeri veren" şeklinde kurulabilir ve kullanılabilir.

Havayı dışarı atan aspiratör modeli

(kurulum talimatlarında  simgesine bakın)

Pişirme işleminden çıkan buharlar çekilir ve davlumbazın buhar çıkışına bağlı bir tahliye borusuyla (ürünle birlikte verilmez) yaşam alanının dışına atılır.

Tahliye borusunun uygun bir bağlantı sistemiyle hava çıkışına doğru şekilde monte edildiğinden emin olun.

Önemli: Karbon filtre/filtreler takılmışsa bunu/bunları çıkarın.

Havayı geri içeri veren model

(kurulum talimatlarında  simgesine bakın)

Hava bir veya daha çok filtreden süzüldükten sonra bulunulan ortama geri verilir.

Önemli: Davlumbazın çevresinde havanın doğru dolaşabildiğinden emin olun.

Önemli: Davlumbazda karbon filtreler yoksa, bunlar cihaz kullanılmadan önce sipariş edilerek monte edilmelidir. Filtreleri IKEA mağazalarında bulabilirsiniz. Davlumbaz özellikle kirli alanlardan, pencerelerden, kapılardan ve ısı kaynaklarından uzakta kurulmalıdır.


Farklı duvar malzemeleri farklı tespit aksesuarları gerektirdiğinden, duvara sabitleme aksesuarları dahil edilmemiştir. Evinizdeki duvara ve elektrikli ev aletinin ağırlığına uygun tespit sistemleri kullanın. Daha ayrıntılı bilgi için uzman bir satıcıya başvurun.

Bu talimatları ilerde başvurmak üzere saklayın.

Çevrenin korunmasıyla ilgili tavsiyeler


Ambalaj malzemeleri

Ambalaj malzemeleri %100 oranında geri

dönüştürülebilir ve  simgesiyle işaretlenmişlerdir

Bu nedenle çeşitli ambalaj parçaları çevreye atılmamalı, bunun yerine yerel makamlarca belirlenen kurallara uygun şekilde bertaraf edilmelidir.

Ürün ya da ürün ile beraber verilen

belgeler üzerinde bulunan  işareti, bu cihazın evsel bir atık olarak görülmemesi gerektiğine işaret eder. Cihaz, bu tip elektrikli ve elektronik cihazların bertaraf edildiği dönüşümlü toplama noktasına teslim edilmelidir.

Temizlik ve bakım

⚠ UYARI

- Davlumbazı elektrik beslemesinden ayırın
- Yüzeyleri nemli bir bezle temizleyin. Çok kirliyse, suya birkaç damla bulaşık deterjanı ekleyin. Kuru bir bezle kurulayın.
- Temizlik için takımları veya başka aletleri kullanmayın.
- Buhar püskürten temizleme makineleri kullanmaktan kaçının

ÖNEMLİ: Korozyona uğratici veya aşındırıcı deterjanları kullanmayın. Bu ürünlerden birinin kazara cihaza temas etmesi halinde, derhal nemli bir bezle temizleyin.

Cihaz temizliğine özel deterjanları kullanın ve üreticinin talimatlarına uyun.

Aşındırıcı sünger, bulaşık teli veya metal kazıma aparatları kullanmayın. Bunlar zaman içinde yüzeyin bozulmasına neden olur

ÖNEMLİ: Yağ artıklarını gidermek için yağ tutucu filtreleri en azından ayda bir temizleyin.

Yağ tutucu filtreyi yıkamak için

Yağ tutucu metal filtrenin sınırlı bir ömrü vardır ve ayda bir kez elde veya düşük sıcaklıkta ve kısa programda bulaşık makinesinde yıkanması gerekir. Bulaşık makinesinde yıkama yaparken yağ giderici filtrede hafif bir renk değişikliği görülebilir ancak filtreleme özelliklerinde kesinlikle değişiklik olmaz.

Karbon filtrenin bakımı.

Koku giderici filtre 3-4 ayda bir (veya davlumbaz daha yoğun bir kullanıma maruz kalıyorsa daha sık) ve en çok 8 kere (özellikle yoğun kullanımda 5 kere) aşılması tavsiye edilir) yıkanıp tazelenmelidir.

Tazeleme işlemi

- Bulaşık makinesinde en çok 70°C sıcaklıkta veya elde aşındırıcı sünger kullanmadan sıcak suda yıkayın (deterjan kullanmayın!)
- Fırında en çok 70°C sıcaklıkta 2 süresince kurutun veya su akışını kolaylaştırmak amacıyla filtreyi dikey konumda koyarak ortam sıcaklığında kurumaya bırakın.

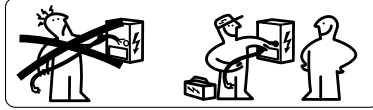
Ampullerin bakımı

Davlumbaz LED lambalı aydınlatma sistemiyle donatılmıştır.

LED lambalar en uygun aydınlatmayı sunar, geleneksel ampullere göre 10 kata kadar daha uzun ömürlüdür ve elektrik enerjisinden %90 oranında tasarruf etmeye olanak tanır.

Değiştirme işlemi için Yetkili Servis Merkeziyle iletişime geçin.

Elektrik bağlantısı



⚠ UYARI: Tüm elektrik bağlantıları yetkili bir kurulum görevlisi tarafından yapılmalıdır. Ürün plakasında belirtilen gerilimin elektrik şebekesinin değerleriyle aynı olduğunu kontrol edin. Bu bilgiler davlumbazın içinde, yağ giderici filtrenin altında gösterilmektedir.

⚠ UYARI: Davlumbazda fiş varsa, cihazı yürürlükteki yönetmeliklere uygun, erişilebilir bir yerde bulunan bir prize

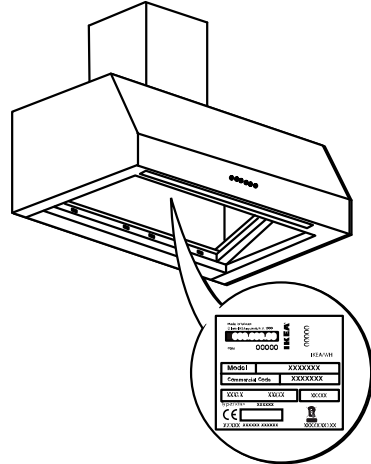
bağlayın. Davlumbazda özel (H05 VV-F tipi) bir güç kablosu bulunur; hasar görmesi halinde teknik servisten isteyin.

Fiş yoksa (elektrik şebekesine doğrudan kablo bağlantısı yapılmışsa) veya priz erişilebilir bir yerde değilse, kablo bağlantısı yönetmeliklerine uygun, kategori III aşırı gerilim halinde şebekeden tam izolasyon sağlamaya olanak tanıyan normalize iki kutuplu bir şalter takın.

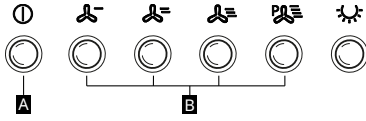
⚠ UYARI: Kablolarda lehimleme yapmayın!

Bilgi Plakası

Teknik bilgiler cihazın iç tarafında bulunan plakada belirtilmiştir



Kumanda Paneli



A Motor KAPATMA tuşu

B Motor AÇMA tuşu

IKEA GARANTİSİ

IKEA garantisinin süresi nedir?

Bu garanti, elektrikli ev aletinizi bir IKEA mağazasından satın/teslim aldığınız tarihten itibaren 5 yıl süresince geçerlidir. Satın alma işlemini kanıtlayan belge olarak satış fişinin aslının gösterilmesi gerekmektedir. Garanti süresince yapılacak muhtemel teknik servis işlemleri geçerlilik süresini uzatmaz.

Servisi kim veriyor?

IKEA tarafından yetkilendirilen teknik servis kendi yetkili Teknik Servis Ortağı ağı aracılığıyla servisi verecektir.

Bu garanti neleri kapsıyor?

Elektrikli ev aletinin satın/teslim alındığı tarihten itibaren elektrikli ev aletinde meydana gelen imalat hataları kaynaklı tüm kusurlar (işlevsel kusurlar) garanti kapsamındadır. Bu garanti yalnızca ev ortamında kullanım için geçerlidir. Bunun dışında kalan durumlar "Neler garanti kapsamında değil?" maddesinde açıklanmaktadır. Garantinin geçerlilik süresi, onarım masrafları

(yedek parça, işçilik ve teknik servisin yolculuk masrafları) teknik servis tarafından karşılanacaktır ancak özel masraf gerektirmeyen onarım işlemleri için cihaza erişim hariçtir. Bu şartlar (99/44/CE sayılı) AB Direktiflerine ve yerel yönetmeliklere uygundur. Değiştirilen bileşenlerin mülkiyeti IKEA'ya aittir.

IKEA sorunu çözmek için nasıl işlem yapacak?

IKEA tarafından servis işlemini yapmakla görevlendirilen teknik servis ürünü inceleyecek ve kendi münhasır takdirine göre garanti kapsamına girip girmediğine karar verecektir. IKEA Teknik Servisi veya

Yetkili Servis Ortağı kendi Servis Merkezleri aracılığıyla, kendi münhasır takdirine göre, kusurlu ürünün onarılmasını veya aynı veya eşit değerinde bir ürünle değiştirilmesini sağlayacaktır.

Neler garanti kapsamında değil?

- Normal yıpranma
- Kasıtlı verilen zararlar, çalıştırma talimatlarına uymamaktan, kurulumun yanlış yapılmasından veya hatalı bir gerilime bağlantı yapılmasından kaynaklı hasarlar. Kimyasal veya elektrokimyasal tepkimeler, pas, korozyon kaynaklı hasarlar veya su şebekesinde aşırı kireç bulunmasından kaynaklı hasarlar dahil su kaynaklı hasarlar. Hava şartları veya doğa olaylarından kaynaklı hasarlar.
- Piller ve lambalar dahil sarf malzemeleri.
- Çizikler ve renk değişimleri dahil, elektrikli ev aletinin normal kullanımını etkilemeyen, işlevsel olmayan ve dekoratif parçalardaki hasarlar.
- Yabancı madde veya cisimlerden kaynaklı kaza hasarları ile filtreler, tahliye sistemleri veya deterjan kasetlerindeki tıkanıklıkları giderme ve temizlikten kaynaklı hasarlar.
- Şu bileşenlerdeki hasarlar: Cam seramik, aksesuarlar, bulaşıklar ve yerleştirme sepetleri, besleme ve drenaj boruları, contalar, lambalar ve lamba kapakları, ızgaralar, düğmeler, kaplamalar ve kaplama parçaları. Bu hasarların imalat hatalarından kaynaklandıklarının kanıtlanması hariçtir.
- Bir teknisyenin ziyareti sırasında işlevsel kusurların fark edilmediği durumlar.

- Yetkili Teknik Servis Merkezimiz ve/veya sözleşmeli yetkili Servis Ortağı tarafından yapılmayan veya orijinal yedek parçaların kullanılmadığı onarım işlemleri.
- Doğru olmayan veya özelliklere uymayan bir kurulumdan kaynaklı onarımlar.
- Cihazın örneğin profesyonel maksatla kullanılması gibi uygunsuz ve/veya ev ortamı dışında kullanılması.
- Nakliye kaynaklı hasarlar. Ürünün kendi ikamet adresine veya başka bir yere müşteri tarafından taşınması halinde, nakliye sırasında çıkabilecek muhtemel hasarlardan IKEA sorumlu değildir. Buna karşılık, ürünün müşterinin adresine taşınmasının IKEA tarafından gerçekleştirildiği durumlarda teslimat sırasında üründe meydana gelebilecek hasarlar IKEA kapsamında olacaktır.
- IKEA elektrikli ev aletlerinin ilk kurulumundan kaynaklı masraflar. Ancak, IKEA servis sağlayıcısı veya yetkili ortaklarından birinin cihazı bu garanti şartları kapsamında onarması veya değiştirmesi halinde, gerektiğinde onarılan cihazın geri kurulumu veya değiştirilen cihazın kurulumu sağlayıcı veya yetkili ortak tarafından yapılacaktır. Söz konusu kısıtlamalar, diğer AB ülkelerinde cihazın teknik güvenlik hükümlerine uygun hale getirilmesi için orijinal yedek parçalarla ehil teknik personel tarafından yapılan normal işlemlerde geçerli değildir.

Ulusal yasaların uygulanması

Müşteri, 206/2005 sayılı İtalyan Kararnamesinde öngörülen haklara sahiptir ve 5 (beş) yıllık bu IKEA garantisi, garanti şartları açısından her ülkedeki asgari yasal haklara karşılık gelen veya bunları genişleten söz konusu hakları peşin hükümsüz olarak bırakmaktadır. Bununla birlikte söz konusu koşullar, tüketicinin yerel yasalarda tanımlı haklarını hiçbir şekilde sınırlandırmaz.

Geçerlilik alanı

Bir AB ülkesinde satın alınan ve AB dışı bir ülkeye taşınan elektrikli ev aletlerinde servisler yeni ülkede geçerli olan garanti şartlarına göre verilecektir. Bu garanti şartlarına göre servis verme yükümlülüğü yalnızca elektrikli ev aletinin aşağıdakilere uygun olması ve aşağıdakilere göre kurulması halinde geçerlidir:

- Garanti tarafından uygulanmasının istendiği ülkenin teknik şartları.
- Montaj Talimatları ile Kullanıcı Kılavuzunda yer alan güvenlik bilgileri.

IKEA aletlerine özel TEKNİK SERVİS

Şunlar için IKEA tarafından görevlendirilen Yetkili Teknik Servis Merkeziyle iletişime geçmekten çekinmeyin:

- Garanti süresince teknik servis talebinde bulunmak
- IKEA elektrikli ev aletlerinin çalışmasıyla ilgili bilgi istemek.

En iyi desteği aldığınızdan emin olmak için, bizimle iletişime geçmeden önce ürünün montaj talimatlarını ve/veya talimat kılavuzunu dikkatle okumanızı sizlerden rica ederiz.

Servis ihtiyacınız olduğunda bizimle nasıl iletişime geçebileceğiniz



Lütfen bu kılavuzun son sayfasında yer alan IKEA teknik servis merkezi numarasını arayın.

📞 Size en hızlı servisi sunabilmek için bu kılavuzda yer alan telefon numaralarını kullanmanızı öneririz. Servise ihtiyaç duyduğunuz cihazın kılavuzunda belirtilen numaralara daima başvurun. Ürününüzün etiketinde belirtilen IKEA kodunu (8 rakamlı) ve 12 rakamlı kodu daima hazırda bulundurmanızı öneririz.

📞 SATIN/TESLİM ALMA BELGENİZİ SAKLAYIN!

Bu, satın aldığınıza dair kanıtınızdır ve garantinin geçerli olması için göstermeniz gerekecektir. Satın alma fişinde satın alınan her cihazın aynı zamanda adı ve IKEA parça numarası (8 rakamlı) da yer alır.

Başka bir yardıma ihtiyacınız var mı?

Servisle ilgili olmayan her türlü bilgi için referans IKEA satış noktasının Müşteri Hizmetlerine başvurmanızı sizlerden rica ederiz. Bizimle iletişime geçmeden önce elektrikli ev aletiyle ilgili teknik belgeleri dikkatle okumanızı rica ederiz.

Bezpečnostné pokyny

i Pred prvým použitím

Odporúčame vám, aby ste si v záujme vlastnej bezpečnosti a správnej prevádzky zariadenia dôkladne prečítali tento návod ešte pred jeho inštaláciou a uvedením do chodu. Pozorne si pozrite výstražné obrázky na začiatku tohto návodu. V záujme správnej a úplnej inštalácie sa riadte príslušným návodom na inštaláciu, dodaným spolu s výrobkom.

Uchovávajúte tieto pokyny vždy spolu so zariadením, aj v prípade predaja alebo prevodu na tretie osoby. Je dôležité, aby používatelia boli oboznámení so všetkými prevádzkovými a bezpečnostnými vlastnosťami zariadenia.

⚠ Toto je výstražná značka nebezpečenstva, ktorá upozorňuje na možné riziko pre používateľa a ďalšie osoby.

Pred všetkými upozoreniami týkajúcimi sa bezpečnosti sa nachádza značka nebezpečenstva a niektoré z týchto slov:


⚠ NEBEZPEČENSTVO: označuje nebezpečnú situáciu, ktorá, ak sa jej nezabráni, spôsobí vážne zranenie.

⚠ VÝSTRAHA: označuje nebezpečnú situáciu, ktorá, ak sa jej nezabráni, môže spôsobiť vážne zranenie.

Všetky bezpečnostné výstrahy obsahujú údaje o hroziacom nebezpečenstve a pokyny, ako znížiť riziká zranenia osôb, poškodenia vecí a úrazu elektrickým prúdom, vyplývajúce z neprimeraného používania zariadenia. Dôkladne dodržte nižšie uvedené pokyny.

- Skontrolujte, či zariadenie nebolo poškodené pri preprave
- Zložte z príslušenstva kartónový obal, ochranné fólie a nálepky.
- Inštaláciu a elektrické pripojenie musí vykonať kvalifikovaný technik podľa pokynov výrobcu a v súlade s miestnymi bezpečnostnými normami. Neopravujte

ani nevymieňajte žiadne časti zariadenia, ak sa to výslovne neodporúča v návode na používanie.

- Zariadenie musí byť pred vykonaním akejkoľvek montážnej práce odpojené od elektrickej siete.
- **⚠ VÝSTRAHA:** nedostatočná inštalácia skrutiek alebo upevňovacích prvkov v súlade s pokynmi uvedenými v tomto návode môže spôsobiť nebezpečenstvo úrazu elektrickým prúdom.
- Uzemnenie zariadenia je povinné zo zákona. (Nie je možné pri odsávačoch triedy II, označené značkou  na údajovom štítku).
- Pri odpájaní napájacieho kábla z elektrickej zásuvky zaň neťahajte.
- Po dokončení inštalácie nesmie mať používateľ prístup k elektrickým komponentom zariadenia.
- Nedotýkajte sa zariadenia vlhkými časťami tela a nepoužívajte ho s bosými nohami.
- Toto zariadenie smú používať deti mladšie ako 8 rokov a osoby so zníženými fyzickými, zmyslovými a duševnými schopnosťami alebo s nedostatočnými znalosťami a skúsenosťami, iba ak sú pod dohľadom alebo boli náležite poučené o bezpečnom používaní zariadenia a rozumejú všetkým rizikám. Deti musia byť pod dozorom, aby sa so zariadením nehrali. Deti nesmú vykonávať čistenie ani bežnú údržbu zariadenia, ak nie sú pod dohľadom dospelšej osoby.
- Všetky ostatné zákroky údržby musí vykonať špecializovaný technik.
- Pri vŕtaní do steny dávajte pozor, aby ste nepoškodili elektrické vedenia a/alebo potrubia.
- Vetracie otvory musia mať vždy vyústenie do otvoreného priestoru.
- Výrobca nenesie žiadnu zodpovednosť za škody spôsobené nevhodným používaním alebo nesprávnym nastavením.

- Správna údržba a čistenie zaručujú bezproblémovú prevádzku a vysokú výkonnosť zariadenia. Pravidelne odstraňujte všetky nečistoty usadené na povrchu zariadenia, aby nedošlo k hromadeniu tuhu. Pravidelne zložte a vyčistite filter alebo ho vymeňte. Dodržte pri tom pokyny uvedené v odseku „Čistenie a údržba“.
- Pod zariadením jedlo neflambujte. Použitie otvoreného ohňa môže spôsobiť požiar.
- Nedodržanie pokynov na čistenie odsávača a výmenu a čistenie filtrov môže spôsobiť nebezpečenstvo požiaru.
- Odsávaný vzduch sa nesmie vypúšťať do potrubia, ktoré sa používa na odvádzanie dymov pochádzajúcich zo spaľovacích zariadení na plyn alebo iné palivá, ale musí mať samostatný vývod.
- Musia byť dodržané všetky vnútroštátne normy týkajúce sa vypúšťania vzduchu.
- Ak sa odsávač používa spolu so zariadeniami, v ktorých sa používa plyn alebo iné palivá, musí sa zabezpečiť vhodné vetranie. Negatívny tlak v miestnosti nesmie byť vyšší ako 4 Pa (4 x 10⁻⁵ bar). Preto sa ubezpečte, že je miestnosť dostatočne vetraná. V prípade pochybností sa obráťte na autorizované stredisko technickej podpory alebo kvalifikovaného odborného technika.
- Pri vyprášaní nenechávajte panvice na varnej ploche bez dohľadu, pretože olej používaný pri vyprášaní sa môže vznietiť.
- Skôr ako sa dotknete žiaroviek, uistite sa, že sú studené.
- Nepoužívajte ani nenechávajte zariadenie bez správne namontovanej žiarovky. Mohlo by to spôsobiť nebezpečenstvo úrazu elektrickým prúdom.
- Odsávač nie je odkladacia plocha, preto naň nekladte predmety a nepreťažujte ho.
- Pri všetkých úkonoch spojených s inštaláciou a údržbou používajte vhodné ochranné rukavice.
- Zariadenie nie je vhodné na používanie v exteriéri.

⚠ VÝSTRAHA: keď je varná doska v prevádzke, prístupné časti odsávača môžu byť horúce.

⚠ VÝSTRAHA: toto zariadenie je ťažké; odsávač musia zdvíhať a inštalovať dve alebo viac osôb. Minimálna vzdialenosť medzi varnou doskou a spodným okrajom odsávača nesmie byť nižšia ako 65 cm pre varné dosky so spaľovaním plynu alebo iných palív a 50 cm pre elektrické varné dosky. Pred inštaláciou si skontrolujte aj minimálne vzdialenosti uvedené v návode na inštaláciu varnej dosky. Ak je v návode na inštaláciu varnej dosky stanovená vyššia vzdialenosť, musí sa dodržať.

Inštalácia

Odsávač je navrhnutý tak, aby sa dal používať buď v režime „odsávanie“ alebo „recirkulácia“.

Odsávacia verzia (pozri značku  v pokynoch na inštaláciu)

Para z varenia sa odsáva a odvádza von z obydľia cez výstupné potrubie (nie je súčasťou dodávky), pripojené k výstupu pary z odsávača.

Uistite sa, že výstupné potrubie je na výstupe vzduchu správne namontované pomocou vhodného upevnenia.

Dôležité: ak je už namontovaný jeden alebo viac uhlíkových filtrov, vyberte ich.

Verzia s recirkuláciou vzduchu

(pozri značku  v pokynoch na inštaláciu)

Vzduch sa filtruje cez jeden alebo viac filtrov a následne sa znovu privádza do miestnosti.


Dôležité: uistite sa, že okolo odsávača je zabezpečená správna cirkulácia vzduchu.

Dôležité: ak odsávač nie je vybavený uhlíkovými filtrami, musia sa zabezpečiť a namontovať ešte pred prvým použitím zariadenia. Filtry sa dajú zakúpiť v predajniach spoločnosti IKEA. Odsávač musí byť nainštalovaný ďaleko od veľmi znečistených priestorov, okien, dverí a zdrojov tepla.

Príslušenstvo na upevnenie k stene netvorí súčasť dodávky, pretože steny z rôznych materiálov vyžadujú rôzne upevňovacie prvky. Použite upevňovací systém, ktorý je vhodný pre vašu domácnosť a zodpovedá hmotnosti zariadenia. Ak potrebujete bližšie informácie, obráťte sa na špecializovaného predajcu. Uchovajte si tieto pokyny na budúce použitie.


Odporúčania na ochranu životného prostredia

Obalový materiál

Obal je 100 % recyklovateľný a označený symbolom recyklácie 

Jednotlivé časti obalu sa preto nesmú vyhadzovať do životného prostredia a musia sa zlikvidovať v súlade s predpismi miestnych kompetentných úradov.



Symbol  na výrobku alebo v sprievodnej dokumentácii označuje, že s týmto výrobkom sa nesmie narábať ako s domovým odpadom, ale musí sa odovzdať do zberného dvora na recykláciu elektrických a elektronických zariadení.

Čistenie a údržba

VÝSTRAHA

- Odpojte odsávač od elektrického napájania
- Vyčistite povrchy utierkou navlhčenou vo vode. Ak sú veľmi znečistené, pridajte do vody pár kvapiek umývacieho prostriedku na riad. Utrite suchou utierkou.
- Na čistenie nepoužívajte žiadne nástroje.
- Nepoužívajte parné čističe

DÔLEŽITÉ: nepoužívajte žieravé ani abrazívne čistiace prostriedky. Ak sa nechtiac niektorý z týchto prípravkov dostane do kontaktu so zariadením, okamžite ho vyčistite utierkou navlhčenou vo vode.

Na čistenie zariadenia používajte vhodné čistiace prostriedky a dodržiavajte pokyny výrobcu.

Nepoužívajte abrazívne hubky, lopatky ani kovové škrabky. Z dlhodobého hľadiska môžu poškodiť povrch

DÔLEŽITÉ: vyčistite tukové filtry aspoň raz mesačne, aby ste z nich odstránili zvyšky oleja a tuku.

Umývanie tukového filtra

Kovový tukový filter má obmedzenú životnosť a musí sa raz mesačne umývať buď ručne alebo v umývačke riadu pri nízkej teplote a s krátkym programom. Pri umývaní v umývačke riadu môžu farby tukového filtra mierne vyblednúť, čo však nijako neovplyvňuje jeho filtračné vlastnosti.

Údržba uhlíkového filtra.

Pachový filter sa musí umývať a regenerovať každé 3-4 mesiace (alebo častejšie, ak je odsávač vystavený intenzívnemu používaniu), do max. počtu 8 regeneračných cyklov (v prípade mimoriadne intenzívneho používania odporúčame neprekračovať 5 cyklov).

Proces regenerácie

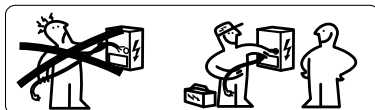
- Umyte filter v umývačke riadu pri teplote 70 °C alebo ručne v horúcej vode bez použitia abrazívnych hubiek (nepoužívajte žiadne čistiace prostriedky!)
- Sušte filter 2 hodiny v rúre pri maximálnej teplote 70 °C alebo ho nechajte vyschnúť pri izbovej teplote, pričom ho umiestnite do zvislej polohy, aby z neho ľahšie stiekla voda.

Údržba žiaroviek

Odsávač je vybavený systémom osvetlenia s LED žiarovkami.

LED garantujú optimálne osvetlenie, trvanlivosť až do 10-krát vyššiu ako tradičné žiarovky a umožňujú úsporu 90 % úsporu elektrickej energie.

Pre výmenu sa kontaktujte s autorizovaným asistenčným centrom.

Elektrické pripojenie

⚠ VÝSTRAHA: Všetky elektrické pripojenia musí vykonať autorizovaný inštalačný technik. Skontrolujte, či sa napätie uvedené na údajovom štítku výrobku zhoduje s napätím elektrickej siete.

Tieto údaje sa nachádzajú vo vnútri odsávača, pod tukovým filtrom.

⚠ VÝSTRAHA: Ak je odsávač vybavený zástrčkou, pripojte zariadenie k zásuvke vyhovujúcej platným normám, umiestnenej na prístupnom mieste.

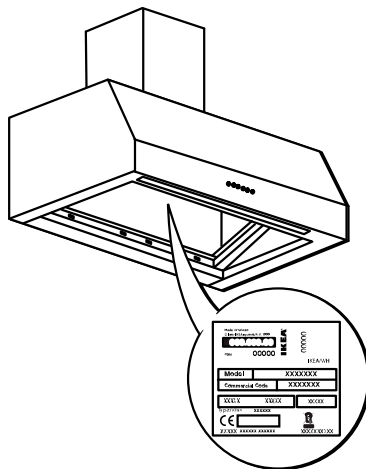
Odsávač je vybavený špeciálnym napájacím káblom (typ H05 VV-F). V prípade jeho poškodenia sa obráťte na stredisko technickej podpory.

Ak odsávač nie je vybavený zástrčkou (priame káblové pripojenie k elektrickej sieti) alebo ak sa elektrická zásuvka nenachádza na prístupnom mieste, nainštalujte normovaný dvojpolový spínač, ktorý zabezpečí úplné odpojenie od siete v prípade prepätia kategórie III, v súlade s normami o káblových vedeniach.

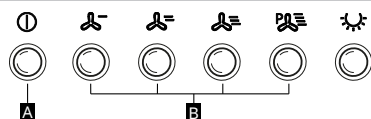
⚠ VÝSTRAHA: Káble nezvárajte!

Údajový štítok

Technické údaje sú uvedené na štítku umiestnenom vo vnútri zariadenia



Ovládací panel



A Tlačidlo OFF motora

B Tlačidlo ON motora

ZÁRUKA SPOLOČNOSTI IKEA

Aká je dĺžka záručnej lehoty spoločnosti IKEA?

Záruka je platná 5 roky od dátumu zakúpenia/prevzatia zariadenia v predajni spoločnosti IKEA. Pri reklamácii je potrebné predložiť originálne potvrdenie o zakúpení. Prípadné zákroky technickej podpory vykonané v záručnej lehote nepredlžujú trvanie záruky.

Kto poskytuje službu?

Službu prostredníctvom vlastnej siete partnerov technickej podpory poskytne stredisko technickej podpory, ktoré vyberie a poverí spoločnosť IKEA.

Na čo sa záruka vzťahuje?

Záruka sa vzťahuje na poruchy elektrospotrebiča spôsobené výrobnými chybami (funkčnými chybami) odo dňa zakúpenia/prevzatia. Záruka je platná iba pri používaní zariadenia v domácnosti.

Výnimky sú uvedené v odseku „Na čo sa záruka nevzťahuje?“. V záručnej lehote znáša náklady na opravu

(náhradné diely, práca a preprava technických pracovníkov)

stredisko technickej podpory, pričom platí, že pri prístupe k zariadeniu pri opravě nevznikajú špeciálne výdavky. Tieto podmienky sú v súlade so smernicami EÚ (č. 99/44/ES) a miestnymi normami. Náhradné diely použité na výmenu sú majetkom spoločnosti IKEA.

Ako spoločnosť IKEA zasahuje pri riešení problému?

Stredisko technickej podpory poverené spoločnosťou IKEA pri poskytovaní služby preskúma výrobok a rozhodne podľa svojho uváženia, či sa naň vzťahuje záruka. Stredisko technickej podpory spoločnosti

IKEA alebo jeho zmluvný partner potom podľa vlastného uváženia prostredníctvom príslušného strediska technickej podpory opraví chybný výrobok alebo ho vymení za rovnaký výrobok alebo výrobok v zodpovedajúcej hodnote.

Na čo sa záruka nevzťahuje?

- Bežné opotrebovanie
- Škody spôsobené zámerné, škody spôsobené nedodrzaním prevádzkových pokynov, nesprávnou inštaláciou alebo v dôsledku pripojenia k sieti s nesprávnym elektrickým napätím. Škody spôsobené chemickými alebo elektrochemickými reakciami, hrdzou, koróziou, alebo vodou vrátane škôd spôsobených nadmerným množstvom vodného kameňa vo vodovodných potrubíach. Škody spôsobené vplyvom počasia a prírodných udalostí.
- Spotrebné časti vrátane batérií a žiaroviek.
- Škody na nefunkčných a dekoračných častiach, ktoré neovplyvňujú bežné používanie elektrospotrebiča, vrátane škrabancov a rozdielov vo farbe.
- Náhodné škody spôsobené cudzími predmetmi alebo látkami a škody spôsobené čistením a odstraňovaním prekážok z filtrov, výstupných systémov alebo nádob na čistiace prostriedky.
- Škody na týchto dieloch: sklokeramika, príslušenstvo, koše na príbor a riad, prírodné a odtokové potrubie, tesnenia, žiarovky a kryty na žiarovky, mriežky, rukoväte, obloženie a časti obloženia. Okrem prípadu, že sa preukáže, že tieto škody boli spôsobené výrobnými chybami.

- Prípady, v ktorých technik pri prehliadke nezistí funkčné chyby.
- Opravy, ktoré nevykonalo naše stredisko technickej spoločnosti a/alebo jeho autorizovaný zmluvný partner, alebo v prípade použitia neoriginálnych náhradných dielov.
- Opravy spôsobené nesprávnou inštaláciou alebo inštaláciou nezodpovedajúcou daným vlastnostiam.
- Nevhodné použitie alebo použitie mimo domácnosti, napr. profesionálne použitie.
- Škody pri preprave. Ak zákazník prepravuje výrobok do svojho obydľia alebo na inú adresu, spoločnosť IKEA nenesie zodpovednosť za prípadné škody, ktoré vzniknú pri preprave. Naopak, ak prepravu na adresu zákazníka vykonáva spoločnosť IKEA, za prípadné škody, ktoré na výrobku vzniknú pri preprave, zodpovedá spoločnosť IKEA.
- Náklady na prvú inštaláciu elektrospotrebiča IKEA. Avšak, ak poskytovateľ služieb spoločnosti IKEA alebo jeho autorizovaný zmluvný partner opraví alebo vymení zariadenie v súlade s týmito záručnými podmienkami, poskytovateľ alebo autorizovaný zmluvný partner preinštalujú opravené zariadenie alebo nainštalujú vymenené zariadenie, ak je to potrebné. Tieto obmedzenia neplatia pre pravidelné zákroky, ktoré kvalifikovaní technici vykonávajú s originálnymi náhradnými dielmi, aby prispôbili zariadenie bezpečnostným technickým požiadavkám inej krajiny EÚ.

Uplatnenie vnútroštátnych zákonov

Zákazník je držiteľom práv stanovených vládny nariadením č. 206/2005 a touto zárukou spoločnosti IKEA 5 (päť) rokov, pričom platia práva, ktoré zodpovedajú alebo rozširujú minimálne zákonné práva príslušnej krajiny v otázke záručných podmienok. Tieto podmienky však nijako neobmedzujú práva spotrebiteľa stanovené miestnymi zákonmi.

Oblasť platnosti

Pre elektrospotrebiče zakúpené v členskom štáte EÚ a prevezené do iného členského štátu EÚ sa poskytujú záručné služby podľa záručných podmienok platných v novom štáte. Povinnosť poskytnúť službu v súlade so záručnými podmienkami platí, iba ak je elektrospotrebič zhodný a nainštalovaný v súlade s:

- technickými požiadavkami krajiny, v ktorej sa záruka uplatňuje;
- bezpečnostnými pokynmi uvedenými v pokynoch na inštaláciu a návode na používanie.

TECHNICKÁ PODPORA pre zariadenia spoločnosti IKEA

Obráťte sa na stredisko technickej podpory autorizované spoločnosťou IKEA, ak:

- chcete požiadať o technickú podporu v záručnej lehote
- chcete požiadať o informácie o prevádzke elektrospotrebičov spoločnosti IKEA.

V záujme poskytovania čo najlepšej technickej podpory vás žiadame, aby ste si dôkladne prečítali pokyny na montáž a/alebo návod na používanie výrobku predtým, ako sa na nás obrátite.

Ako sa na nás obrátiť, ak potrebujete technickú podporu



Kontaktujte nás na telefónnom čísle strediska technickej podpory spoločnosti IKEA, uvedenom na poslednej strane tohto návodu.

i V záujme rýchleho poskytnutia služby vám odporúčame, aby ste používali telefónne čísla uvedené v tomto návode. Vždy uveďte čísla uvedené v návode zariadenia, pre ktoré potrebujete podporu. Odporúčame, aby ste mali vždy poruke kód IKEA (8-ciferný) a 12-ciferný kód, ktoré sú uvedené na údajovom štítku výrobku.

i UCHOVAJTE SI DOKLAD O ZAKÚPENÍ/ PREVZATÍ!

Je to potvrdenie o vašej kúpe a je potrebné ho predložiť pri uplatnení záruky, inak nie je platná. Na potvrdení je uvedený aj názov a kód tovaru IKEA (8-ciferný) pre každé zakúpené zariadenie.

Potrebujete ďalšiu pomoc?

Ak potrebujete akékoľvek informácie, ktoré sa netýkajú technickej podpory, obráťte sa na stredisko zákazníckej podpory príslušného predajcu spoločnosti IKEA. Predtým, ako sa na nás obrátite, si dôkladne prečítajte príslušnú technickú dokumentáciu.

Bezpečnostní pokyny

i Před prvním použitím

V zájmu vlastní bezpečnosti a správného provozu spotřebiče si před instalací a uvedením do provozu pečlivě přečtěte tento návod. Pozorně si prohlédněte výstražné obrázky na začátku tohoto návodu. Správnou a úplnou instalaci naleznete ve zvláštním návodu k instalaci dodaném s výrobkem.

Tento návod k obsluze uchovávejte vždy u spotřebiče, a to i v případě, že jej předáte nebo přenecháte třetí osobě. Je důležité, aby se uživatelé seznámili se všemi provozními a bezpečnostními funkcemi spotřebiče.

⚠ Toto je symbol nebezpečí související s bezpečností, který varuje před možnými riziky pro uživatele a ostatní.

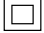
Všechny zprávy týkající se bezpečnosti budou opatřeny symbolem nebezpečí a následujícími výrazy:

⚠ NEBEZPEČÍ: označuje nebezpečnou situaci, která může vést k vážnému zranění, pokud se jí nezabrání.

⚠ UPOZORNĚNÍ: označuje nebezpečnou situaci, která by mohla vést k vážnému zranění, pokud se jí nezabrání.

Všechna bezpečnostní upozornění obsahují konkrétní údaje o možném nebezpečí a pokyny, jak snížit riziko zranění, poškození a úrazu elektrickým proudem v důsledku nevhodného používání spotřebiče. Pečlivě dodržujte následující pokyny.

- Zkontrolujte, zda spotřebič nevykazuje škody způsobené při přepravě
- Odstraňte z příslušenství kartonové ochrany, ochranné fólie a samolepicí štítky.
- Instalaci elektrické připojení musí provést kvalifikovaný technik v souladu s pokyny výrobce a v souladu s místními bezpečnostními předpisy. Neopravujte ani nevyměňujte žádnou část spotřebiče, pokud to není výslovně doporučeno v návodu k použití.

- Před jakoukoli instalací musí být spotřebič odpojen od elektrické sítě.
- **⚠ UPOZORNĚNÍ:** pokud šrouby nebo upevňovací prvky nebudou instalovány v souladu s těmito pokyny, může dojít k ohrožení elektrickým proudem.
- Uzemnění spotřebiče je povinné ze zákona. (Není možné u odsavačů par třídy II označených symbolem  na typovém štítku).
- Netahejte za napájecí kabel spotřebiče, abyste jej odpojili ze zásuvky.
- Po dokončení instalace nesmí být elektrické součásti přístupné uživateli.
- Nedotýkejte se spotřebiče mokřými částmi těla a nepoužívejte jej, když jste naboso.
- Tento spotřebič mohou používat děti starší 8 let a osoby se sníženými fyzickými, smyslovými nebo mentálními schopnostmi nebo s nedostatečnými zkušenostmi a znalostmi, pouze pokud jsou pod dohledem nebo pokud obdržely pokyny o bezpečném používání spotřebiče a rozumí souvisejícím rizikům. Děti musí být pod dohledem, aby si se spotřebičem nehrály. Běžné čištění a údržbu nesmí provádět děti bez dozoru dospělé osoby.
- Všechny ostatní údržbářské práce musí provádět specializovaný technik.
- Při vrtání otvorů do zdi dbejte na to, abyste nepoškodili elektrické přípojky a/ nebo potrubí.
- Větrací otvory musí být vždy odvětrány do venkovního prostranství.
- Výrobce nenese žádnou odpovědnost za škody způsobené nevhodným používáním nebo nesprávným nastavením.
- Správná údržba a čištění zajistí, že spotřebič bude dobře fungovat a podávat co nejlepší výkon. Pravidelně čistěte všechny odolné nečistoty na povrchu, abyste zabránili usazování mastnoty. Filtr pravidelně vyjímejte a

vyčistěte nebo vyměňte. Za tímto účelem postupujte podle pokynů uvedených v části „Čištění a údržba“.

- Nevařte potraviny s plamenem („flambé“) pod spotřebičem. Použití otevřeného ohně by mohlo způsobit požár.
- Nedodržení pokynů pro čištění odsavače par a pro výměnu a čištění filtrů vede k nebezpečí požáru.
- Odsávaný vzduch nesmí být odváděn do potrubí používaného k odvodu spalin ze spotřebičů na plyn nebo jiná paliva, ale musí mít samostatný vývod.
- Je třeba dodržovat všechny vnitrostátní předpisy týkající se odsávaného vzduchu.
- Pokud se odsavač par používá společně s jinými spotřebiči na plyn nebo jiná paliva, musí být zajištěno dostatečné větrání. Podtlak v místnosti nesmí překročit 4 Pa (4 x 10⁻⁵ bar). Z tohoto důvodu zajistěte dobré větrání místnosti. V případě pochybností se obraťte na autorizované servisní středisko nebo kvalifikovaného odborníka.
- Při smažení potravin nenechávejte pánve na sporáku bez dozoru, protože olej použitý ke smažení se může vznítit.


- Než se dotknete žárovek, ujistěte se, že jsou studené.
- Nepoužívejte ani nenechávejte odsávač par bez správně nasazené žárovky, protože to může způsobit úraz elektrickým proudem.
- Odsávač par není pracovní deska, proto na něj nepokládejte žádné předměty a nezatěžujte jej.
- Při všech montážních a údržbových pracích používejte vhodné pracovní rukavice.
- Spotřebič není vhodný pro venkovní použití.

⚠ UPOZORNĚNÍ: když je varná deska v provozu, mohou se přístupné části odsavače par zahřát.

⚠ UPOZORNĚNÍ: tento spotřebič je těžký; odsávač par smí zvedat a instalovat pouze dvě nebo více osob. Minimální vzdálenost mezi varnou deskou a spodní stranou odsavače par nesmí být menší než 65 cm u varných desek s plynovými hořáky nebo hořáky na jiná paliva a 50 cm u elektrických sporáků. Před instalací také zkontrolujte minimální vzdálenosti uvedené v návodu k obsluze varné desky. Pokud je v návodu k instalaci varné desky uvedena větší vzdálenost, je nutné dodržet tuto vzdálenost.

Instalace

Odsávač par je určen k instalaci a použití v režimu „odsávání“ nebo „recirkulace“.

Odsávací verze (viz symbol  v návodu k instalaci)

Pára z vaření je odsávána a odváděna mimo obytný prostor odtahovým potrubím (není součástí dodávky), které je připojeno k výstupu páry odsavače par. Ujistěte se, že je odsávací potrubí správně namontováno na výstupu vzduchu vhodným připojovacím systémem.

Důležité: pokud je již nainstalován, vyjměte uhlíkový filtr (filtry).

Verze s recirkulací vzduchu

(Viz symbol  v návodu k instalaci)

Vzduch se filtruje přes jeden nebo více filtrů a poté se vrací zpět do místnosti.

Důležité: zajistěte správnou cirkulaci vzduchu kolem odsavače par.

Důležité: pokud odsávač par není vybaven uhlíkovými filtry, je nutné je objednat a namontovat před použitím spotřebiče. Filtry jsou k dostání v obchodech IKEA.

Odsávač par musí být instalován mimo obzvláště znečištěné prostory, okna, dveře a zdroje tepla.

Příslušenství pro upevnění na stěnu není součástí dodávky, protože stěny z různých materiálů vyžadují různé typy


upevňovací příslušenství. Používejte upevňovací systémy vhodné pro stěny vašeho domu a hmotnost spotřebiče. Další informace získáte u specializovaného prodejce.

Uschovejte tento návod pro budoucí použití.

Rady pro ochranu životního prostředí


Obalový materiál

Obal je 100% recyklovatelný a je označen

recyklačním symbolem 

Jednotlivé části obalu proto nesmí být rozptýleny v životním prostředí, ale musí být zlikvidovány v souladu s předpisy stanovenými místními úřady.



Symbol  na výrobku nebo v průvodní dokumentaci označuje, že s tímto výrobkem nesmí být nakládáno jako s domovním odpadem, ale měl by být předán do příslušného sběrného místa pro recyklaci elektrických a elektronických zařízení.

Čištění a údržba

UPOZORNĚNÍ

- Odpojte odsávač par od zdroje napájení
- Povrchy čistěte vlhkým hadříkem. V případě velkého znečištění přidejte do vody několik kapek prostředku na mytí nádobí. Osušte suchým hadříkem.
- K čištění nepoužívejte nářadí ani jiné nástroje.
- Vyhněte se používání parních čističů

DŮLEŽITÉ: nepoužívejte korozivní nebo abrazivní čisticí prostředky. Pokud se některý z těchto výrobků dostane do kontaktu se spotřebičem, okamžitě jej očistěte vlhkým hadříkem.

K čištění spotřebiče používejte specifické čisticí prostředky a dodržujte pokyny výrobce.

Nepoužívejte abrazivní houbičky, drátěnky ani kovové škrabky. Z dlouhodobého hlediska mohou poškodit povrch

DŮLEŽITÉ: vyčistěte tukové filtry alespoň jednou za měsíc, abyste odstranili zbytky oleje nebo tuku.

Mytí tukového filtru

Kovový tukový filtr má neomezenou životnost a musí být umyt jednou měsíčně ručně nebo v myčce nádobí při nízkých teplotách a na krátký program.

Při mytí v myčce nádobí může tukový filtr mírně změnit barvu, ale jeho filtrační vlastnosti se vůbec nezmění.

Údržba uhlíkového filtru.

Pachový filtr je třeba umýt a regenerovat každé 3-4 měsíce (nebo častěji, pokud je odsávač par používán intenzivně), maximálně však 8 regeneračních cyklů (v případě obzvláště intenzivního používání se doporučuje nepřekročit 5 cyklů).

Postup regenerace

- Umyjte v myčce nádobí při maximální teplotě 70 °C nebo ručně v teplé vodě bez použití abrazivních houbiček (nepoužívejte čisticí prostředky!)
- Sušte v sušičce při maximální teplotě 70 °C po dobu 2 hodin nebo nechte uschnout při pokojové teplotě, přičemž filtr umístěte do svislé polohy, aby se usnadnil odtok vody.

Údržba žárovek

Odsávač par je vybaven systémem osvětlení LED.

LED diody poskytují optimální osvětlení, mají až 10 krát delší životnost než běžné žárovky a šetří až 90 % elektrické energie.

Pro výměnu se obraťte na autorizované servisní středisko.

Elektrické zapojení



⚠ UPOZORNĚNÍ: Veškerá elektrická připojení musí provádět autorizovaný instalační technik. Zkontrolujte, zda je napětí uvedené na typovém štítku výrobku stejné jako napětí v síti.

Tyto informace jsou uvedeny uvnitř odsávače par, pod tukovým filtrem.

⚠ UPOZORNĚNÍ: Pokud je odsávač par vybaven zástrčkou, připojte spotřebič do zásuvky, která odpovídá platným normám a je umístěna na přístupném místě.

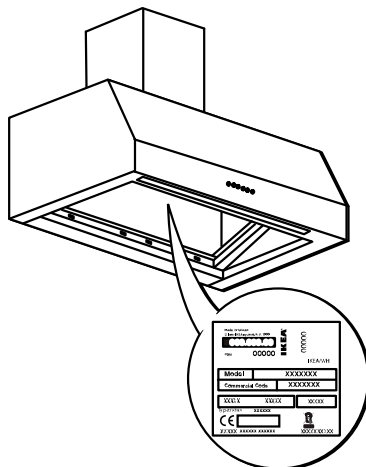
Odsávač par je vybaven speciálním napájecím kabelem (typ H05 VV-F); pokud je poškozený, vyžádejte si jej v zákaznickém servisu.

Pokud nemá zástrčku (přímé zapojení do sítě) nebo pokud se zásuvka nenachází na přístupném místě, nainstalujte standardizovaný dvoupólový jistič umožňující úplné odpojení od sítě v případě přepětí kategorie III, v souladu s elektroinstalačními předpisy.

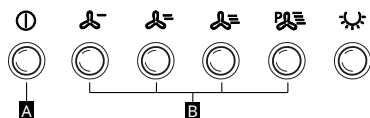
⚠ UPOZORNĚNÍ: Na kabelech nepájejte!

Výrobní štítek

Technické údaje jsou uvedeny na štítku umístěném na vnitřní straně spotřebiče



Ovládací panel



A Tlačítko VYPNUTÍ motoru

B Tlačítko ZAPNUTÍ motoru

ZÁRUKA IKEA

Jak dlouho trvá záruka IKEA?

Tato záruka platí 5 roky od data nákupu/doručení vašeho spotřebiče v obchodním domě IKEA. Jako potvrzení o nákupu je třeba předložit originál prodejního dokladu. Jakýkoli servis provedený během záruční doby neprodlužuje její platnost.

Kdo poskytuje servis?

Servis zajistí zákaznický servis vybraný a autorizovaný společností IKEA prostřednictvím sítě autorizovaných servisních partnerů.

Na co se vztahuje tato záruka?

Záruka se vztahuje na vady spotřebiče způsobené výrobními vadami (funkční vada), a to ode dne zakoupení/dodání domácího spotřebiče. Tato záruka se vztahuje pouze na domácí použití. Výjimky jsou popsány v části „Na co se záruka nevztahuje?“. Po dobu platnosti záruky hradí náklady na opravu

(náhradní díly, práce a cestovní náklady technického personálu) servisní oddělení za předpokladu, že přístup ke spotřebiči za účelem opravy nevyžaduje žádné zvláštní náklady. Tyto podmínky jsou v souladu se směrnicemi EU (č. 99/44/ES) a místními předpisy. Vyměněné součásti se stávají majetkem společnosti IKEA.

Jak IKEA provádí řešení problémů?

Zákaznický servis pověřený společností IKEA přezkoumá výrobek a podle vlastního uvážení rozhodne, zda se na výrobek vztahuje záruka. Zákaznický servis IKEA nebo její autorizovaný servisní partner prostřednictvím příslušných servisních středisek podle vlastního uvážení vadný výrobek buď opraví, nebo jej vymění za stejný výrobek nebo za výrobek stejné hodnoty.

Na co se záruka nevztahuje?

- Běžné opotřebení
- Úmyslně způsobené škody, škody způsobené nedodržením návodu k obsluze, nesprávnou instalací nebo v důsledku připojení k nesprávnému napětí. Poškození způsobená

chemickými nebo elektrochemickými reakcemi, rzi, koroze nebo poškozením vodou, včetně poškození způsobeného nadměrným usazováním vodního kamene ve vodovodním potrubí. Škody způsobené atmosférickými a přírodními jevy.

- Spotřební díly včetně baterií a žárovek.
- Poškození nefunkčních a dekorativních částí, které nemají vliv na běžné používání spotřebiče, včetně škrábanců a barevných rozdílů.
- Náhodná poškození způsobená cizími tělesy nebo látkami a poškození způsobená čištěním nebo odstraňováním překážek z filtrů, odvodňovacích systémů nebo zásuvek na mycí prostředky.
- Poškození následujících součástí: sklokeramika, příslušenství, koše na příbory a nádobí, přívodní a odtokové trubky, těsnění, žárovky a kryty žárovek, mřížky, knoflíky, povlak a části povlaku. Pokud se neprokáže, že tato poškození byla způsobena výrobní chybou.
- Případy, kdy při návštěvě technika nebyly zjištěny žádné funkční závady.
- Opravy, které nebyly provedeny naším autorizovaným zákaznickým servisem a/ nebo autorizovaným smluvním servisním partnerem, nebo pokud byly použity neoriginální náhradní díly.
- Opravy způsobené nesprávnou nebo specifikacím neodpovídající instalací.
- Případy nevhodného a/nebo jiného než domácího použití spotřebiče, např. profesionální použití.
- Škody způsobené přepravou. Pokud si zákazník dopraví výrobek domů nebo na jinou adresu, IKEA neodpovídá za škody, které mohou vzniknout během přepravy. Na druhou stranu, pokud IKEA dopraví výrobek na adresu zákazníka, případné škody na výrobku během doručení hradí IKEA.

- Náklady spojené s první instalací domácího spotřebiče IKEA. Pokud však poskytovatel služeb IKEA nebo její autorizovaný partner opraví nebo vymění spotřebič v rámci podmínek této záruky, poskytovatel služeb nebo autorizovaný partner opravený spotřebič znovu nainstaluje nebo v případě potřeby nainstaluje náhradní spotřebič. Tato omezení se nevztahují na běžné práce prováděné kvalifikovaným technickým personálem s použitím originálních náhradních dílů za účelem přizpůsobení spotřebiče technickým bezpečnostním předpisům jiné země EU.

Uplatňování vnitrostátních právních předpisů

Zákazník má nárok na práva stanovená v legislativním nařízení č. 206/2005 a touto zárukou IKEA v délce 5 (pět) let nejsou dotčena ta práva, která odpovídají nebo rozšiřují minimální zákonná práva každé země v oblasti záruky. Tyto podmínky však v žádném případě neomezují práva spotřebitele definovaná místní legislativou.

Oblast platnosti

U spotřebičů zakoupených v jedné zemi EU a převezených do jiné země EU budou služby poskytovány podle záručních podmínek platných v nové zemi. Povinnost poskytnout servis podle záručních podmínek existuje pouze v případě, že spotřebič splňuje a je instalován podle:

- technických specifikací země, ve které se záruka uplatňuje;
- bezpečnostních informací obsažených v návodu k instalaci a v návodu k použití.

Specializovaný ZÁKAZNICKÝ servis pro spotřebiče IKEA

Neváhejte se obrátit na autorizované servisní středisko pověřené společností IKEA v případě:

- žádosti o technickou pomoc během záruční doby
- žádosti o informace o fungování domácích spotřebičů IKEA.

Abychom vám zajistili co nejlepší servis, přečtěte si prosím pozorně montážní pokyny a/nebo návod k použití výrobku, dříve než nás kontaktujete.

Jak nás kontaktovat, pokud potřebujete pomoc



Obratíte se na servisní středisko IKEA, jehož číslo je uvedeno na poslední straně tohoto návodu.

i Abychom vám mohli poskytnout co rychlejší službu, doporučujeme používat telefonní čísla uvedená v tomto návodu. Vždy se řiďte čísly uvedenými v návodu k obsluze spotřebiče, pro který potřebujete asistenční službu. Doporučujeme vám mít vždy k dispozici (8místný) kód IKEA a 12místný kód na štítku vašeho výrobku.

i USCHOVEJTE KUPNÍ/DODACÍ DOKLAD!

Jedná se o doklad o vašem nákupu a musí být předložen, aby byla záruka platná. Na účtence je rovněž uveden název a číslo výrobku IKEA (8 číslic) každého zakoupeného spotřebiče.

Potřebujete další pomoc?

Veškeré informace, které se netýkají asistenčních služeb, vám poskytne zákaznický servis příslušného obchodního domu IKEA. Než nás kontaktujete, přečtěte si pozorně technickou dokumentaci spotřebiče.

A biztonságra vonatkozó utasítások

i Az első használat előtt

Kérjük, hogy saját biztonsága és a készülék helyes működése érdekében a telepítés és az üzembe helyezés előtt figyelmesen olvassa el ezt a kézikönyvet. Nézze meg figyelmesen a kézikönyv elején található figyelmeztető képeket. A helyes és teljeskörű telepítéshez olvassa el a termékhez mellékelt telepítési kézikönyvet. Ezt a használati kézikönyvet mindig tartsa a készülék közelében, még akkor is, amikor azt harmadik félnek eladja vagy harmadik félre átruházza. Fontos, hogy a felhasználók ismerjék a készülék összes működési és biztonsági jellemzőjét.

⚠ Ez a biztonsággal kapcsolatos veszélyszimbólum, amely a felhasználót és másokat fenyegető lehetséges kockázatokra figyelmeztet.

Minden biztonsággal kapcsolatos üzenet előtt a veszélyszimbólum és a következő kifejezések állnak:

⚠ VESZÉLY: olyan veszélyes helyzetet jelez, amelyet, ha nem kerülünk el, súlyos sérülést okoz.

⚠ FIGYELMEZTETÉS: olyan veszélyes helyzetet jelez, amelyet, ha nem kerülünk el, súlyos sérülést okozhat.

Minden biztonsági figyelmeztetés konkrét részleteket közöl a lehetséges veszélyről, valamint arra vonatkozóan, hogyan csökkenthetők a készülék nem megfelelő használatából eredő sérülések, károk és az áramütés kockázata. Figyelmesen tartsa be a következő utasításokat.

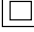
- Ellenőrizze, hogy a készüléken ne legyenek a szállításból eredő sérülések
- Távolítsa el a kartonborításokat, védőfóliákat és öntapadós címkéket a tartozékokról.
- A beszerelést és az elektromos csatlakoztatást szakképzett szakembernek kell elvégeznie a gyártó utasításainak megfelelően és a helyi biztonsági előírá-

sok betartásával. Ne javítsa vagy cserélje ki a készülék bármely alkatrészét, kivéve, ha azt a használati útmutató kifejezetten javasolja.

- A készüléket, bármilyen beszerelési művelet előtt, kösse le az elektromos hálózatról.

- **⚠ FIGYELMEZTETÉS:** a csavaroknak vagy a rögzítőelemeknek a felsorolt utasításoknak nem megfelelő felszerelése elektromos veszélyeket okozhat.

- A készülék földelése jogszabály szerint kötelező. (Nem lehetséges az adattáblán

a  szimbólummal azonosított, II. osztályba tartozó páraelszívók esetében).

- Ne húzza a készülék tápkábelét a fali csatlakozóból történő kihúzásához.
- Amint elvégezte a telepítést, biztosítsa, hogy a felhasználó ne férjen hozzá az elektromos alkatrészekhez.
- Ne érjen a készülékhez nedves testrészekkel és ne használja azt, ha meztláb van.
- Ezt a készüléket csak 8 év feletti gyermekek, valamint csökkent fizikai, érzékszervi vagy szellemi képességű, illetve nem megfelelő tapasztalattal és ismeretekkel rendelkező személyek használhatják, ha felügyelet alatt állnak, vagy ha a készülék biztonságos használatára vonatkozó utasításokat kaptak, és megértették az ezzel járó kockázatokat. Ellenőrizze, hogy a gyerekek nem játszanak a készülékkel. A rutinszerű tisztítást és karbantartást gyermekek, felnőtt felügyelete nélkül, nem végezhetik.
- Minden egyéb karbantartási szolgáltatást szakképzett szakembernek kell elvégeznie.
- A falban lévő lyukak fúrásakor ügyeljen arra, hogy ne sértse meg az elektromos csatlakozásokat és/vagy a csővezetékeket.
- A szellőzőnyílásokat mindig a szabadba kell kivezetni.

- A gyártó nem vállal felelősséget a nem megfelelő használat vagy a helytelen beállítások által okozott károkért.
- A megfelelő karbantartás és tisztítás biztosítja a készülék megfelelő működését és azt, hogy a lehető legjobb teljesítményt nyújtsa. Rendszeresen tisztítsa meg minden makacs szennyeződést a felületen, hogy elkerülje a zsírlerakódást. Vegye ki és rendszeresen tisztítsa vagy cserélje ki a szűrőt. Ehhez kövesse a „Tisztítás és karbantartás” c. fejezetben felsorolt utasításokat.
- Ne főzze az ételt a készülék alatti nyílt lángon („flambírozás”). Nyílt láng használata tüzet okozhat.
- A páraelszívó tisztítására, valamint a szűrők cseréjére és tisztítására vonatkozó utasítások figyelmen kívül hagyása tűzveszélyhez vezet.
- Az elszívott levegőt nem szabad a gáz- vagy más tüzelőanyagot égető készülékek által termelt füst elszívására használt csatornába vezetni, hanem annak független elvezetéssel kell rendelkeznie.
- Az elszívott levegőre vonatkozó valamennyi nemzeti előírást be kell tartani.
- Megfelelő szellőzésért kell biztosítani abban az esetben, ha a páraelszívót más, gázzal vagy más tüzelőanyaggal működő készülékekkel együtt használják. A helyiségben a negatív nyomás nem haladhatja meg a 4 Pa (4 x 10⁻⁵ bar) értéket. Ezért gondoskodjon a helyiség megfele-

- lő szellőzéséről. Kétség esetén forduljon hivatalos szervizközponthoz vagy szaképzett szakemberhez.
- Ne hagyja felügyelet nélkül a serpenyőket a lángon, amikor ételt süt, mert a sütéshez használt olaj lángra kaphat.
- Mielőtt megérintené az izzókat, győződjön meg arról, hogy hidegek.
- Ne használja és ne hagyja a páraelszívót a megfelelően felszerelt izzó nélkül, mert ez áramütést okozhat.
- A páraelszívó nem tartófelület, ezért ne helyezzen rá tárgyakat, és ne terhelje túl.
- Minden telepítési vagy karbantartási művelethez viseljen munkavédelmi kesztyűt.
- A készülék kültéri használatra nem alkalmas.

⚠ FIGYELMEZTETÉS: a főzőlap működése közben a páraelszívó hozzáférhető részei felforrósodhatnak.

⚠ FIGYELMEZTETÉS: ez a készülék nehéz; a páraelszívót két vagy több embernek kell felemelnie vagy felszerelnie. A főzőlap és a páraelszívó alsó felülete közötti minimális távolságnak 65 cm kisebbnek kell lennie a gáz- vagy más tüzelőanyaggal működő főzőlapok és 50 cm a villany főzőlapok esetében. A telepítés előtt ellenőrizze a főzőlap kézikönyvében megadott minimális távolságokat is. Ha a főzőlap telepítési utasításában nagyobb távolság van megadva, akkor ezt a távolságot be kell tartani.

Telepítés

A páraelszívót úgy tervezték, hogy „elszívó” vagy „keringtető” üzemmódban lehessen telepíteni és használni.

Elszívó verzió (lásd a  szimbólumot a telepítésre vonatkozó utasításokban)

A főzésből származó gőz elszívásra kerül, és egy (a készülékhez nem mellékelte) elszívócsövön keresztül a helyiségben kívülre kerül, amely a páraelszívó gőzelvezető nyílásához van csatlakoztatva.

Győződjön meg arról, hogy az elvezetőcső helyesen, megfelelő csatlakozórendszerrel legyen a levegő kivezető nyílásba szerelve.

Fontos: ha már be van szerelve, távolítsa el a szénzsűrő(ke)t.

Levegőkeringető verzió

(lásd a  szimbólumot a telepítésre vonatkozó utasításokban)

A levegőt egy vagy több szűrőn keresztül megszűrik, majd visszavezetik a helyiségbe.

Fontos: Biztosítani kell a megfelelő légáramlást a páraelszívó körül.

Fontos: Ha a páraelszívó nem rendelkezik szénszűrővel, akkor azt a készülék használata előtt meg kell rendelni és be kell szerelni. A szűrők az IKEA üzletekben kaphatók.


A páraelszívót a különösen szennyezett területektől, ablakoktól, ajtóktól és hőforrásoktól távol kell felszerelni.

A fali rögzítő tartozékok nem tartoznak a csomagba, mivel a különböző anyagú falak különböző típusú rögzítő tartozékokat igényelnek. Használjon a helyiség falainak és a készülék súlyának megfelelő rögzítő rendszereket. További részletekért forduljon szakkereskedőhöz. Őrizze meg ezeket az utasításokat a későbbi konzultációhoz.

A környezetvédelemre vonatkozó tanácsok


A csomagolóanyag

A csomagolóanyag 100%-ban újrahasznosítható és az újrahasznosításra

utaló szimbólummal van ellátva 

A csomagolás különböző részeit ezért nem szabad a környezetbe elszórni, hanem a helyi hatóságok által meghatározott előírásoknak megfelelően kell ártalmatlanítani.

A terméken, vagy az azt kísérő

dokumentáción szereplő  szimbólum jelzi, hogy ez a termék nem kezelhető háztartási hulladékként, hanem az elektromos és elektronikus készülékek újrahasznosítására szakosodott megfelelő begyűjtő helyre kell szállítani.

Tisztítás és karbantartás

FIGYELMEZTETÉS

- Csatlakoztassa le a páraelszívót az elektromos hálózatról
- Tisztítsa meg a felületeket egy nedves ronggyal. Ha nagyon koszosak, adjon a vízhez néhány csepp mosogatószeret. Száraz ronggyal törölje szárazra.
- A tisztításhoz ne használjon szerszámokat vagy más eszközöket.
- Kerülje gőztisztítógépek használatát

FONTOS: ne használjon maró vagy súroló hatású tisztítószeret. Ha ezen termékek valamelyike véletlenül érintkezik a készülékkel, azonnal tisztítsa meg nedves ruhával.

A készülék tisztításához használjon speciális tisztítószeret, és kövesse a gyártó utasításait.

Ne használjon súroló szivacsot, súrolóbetétet vagy fémkaparót. Hosszú távon károsíthatják a felületet

FONTOS: a zsírszűrőket havonta legalább egyszer meg kell tisztítani az olaj- vagy zsírmaradványok eltávolítása érdekében.

Hogyan mossuk el a zsírszűrőt

A fémből készült zsírszűrő élettartama korlátlan és havonta egyszer kézzel vagy mosogatógépben, alacsony hőmérsékleten és rövid programmal el kell mosni.

A mosogatógépben történő mosás következtében a zsírszűrő enyhén elszíneződhet, de szűrő-tulajdonságai nem sérülnek.

A szénszűrő karbantartása.

A szagszűrőt 3-4 havonta (vagy gyakrabban, ha a páraelszívó intenzív használatnak van kitéve) el kell mosni és regenerálni kell, maximum 8 regenerálási ciklusig (rendkívül intenzív használat esetén azt javasoljuk, hogy ne lépjen túl az 5 ciklust).

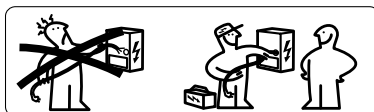
Regenerációs eljárás

- Mosogatógépben legfeljebb 70°C-on, vagy kézzel, forró vízben, dörzsölő szivacsok használata nélkül kell elmosni (ne használjon mosószert!)
- Legfeljebb 70 °C hőmérsékleten sütőben szárítsa 2 órán keresztül, vagy hagyja szobahőmérsékleten száradni, a szűrőt függőleges helyzetbe helyezve, hogy megkönnyítse a víz eltávozását.

Lámpák karbantartása

Az elszívó LED világítással rendelkezik. A LED optimális világítást biztosít, a hagyományos lámpákhoz képest akár 10-szer hosszabb időtartamig, és 90%-os energiamegtakarítást tesznek lehetővé. A cseréhez forduljon a Meghatalmazott ügyfélszolgálathoz.

Elektromos csatlakoztatás



⚠ FIGYELMEZTETÉS: Az elektromos csatlakoztatásokat csak engedéllyel rendelkező szerelő végezheti. Ellenőrizze, hogy a termék adattábláján feltüntetett feszültség megegyezik-e a hálózati feszültséggel.

Ez az információ a páraelszívó belsejében, a zsírszűrő alatt található.

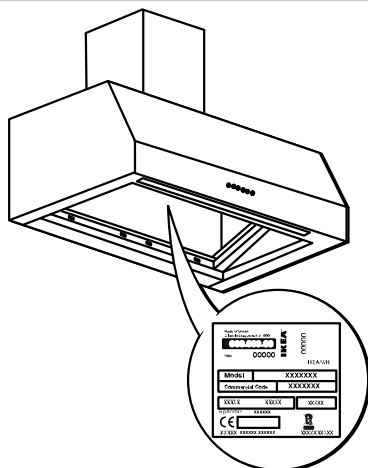
⚠ FIGYELMEZTETÉS: Ha a páraelszívó villásdugóval van felszerelve, egy olyan konnektorba csatlakoztassa a készüléket, amelyik megfelel a hatályos szabványoknak, és hozzáférhető helyen található. A páraelszívó speciális tápkábellel van ellátva (H05 VV-F típusú); ha a kábel megsérül, a műszaki szervizszolgálattól kell újat igényelni.

Ha a készülék nincs villásdugóval ellátva (közvetlen bekötés a hálózatra), vagy ha a konnektor nem hozzáférhető helyen van, szereljen be egy szabványos kétpólusú megszakítót, amely III. kategóriájú túlfeszültség esetén a vezetékekre vonatkozó előírásoknak megfelelően lehetővé teszi a hálózatról való teljes leválasztást.

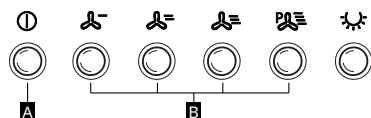
⚠ FIGYELMEZTETÉS: Ne végezzen hegesztést a kábeleken!

Adattábla

A műszaki adatok a készülék belső felén elhelyezett adattáblán vannak feltüntetve



Kezelőpult



A Motor KI gomb

B Motor BE gomb

IKEA JÓTÁLLÁS

Meddig tart az IKEA garancia?

Ez a garancia a készülék IKEA áruházban történő megvásárlásától/átvételétől számított 5 évig érvényes. Be kell mutatni a vásárlást igazoló eredeti blokkot. A jótállási idő alatt végzett bármilyen szervizelés nem jelenti a jótállás érvényességének meghosszabbítását.

Ki nyújtja a szolgáltatást?

Az IKEA által kiválasztott és felhatalmazott szerviz részleg fogja a szolgáltatást biztosítani a felhatalmazott szervizpartner-hálózaton keresztül.

Mire terjed ki ez a garancia?

A garancia a készülék gyártási hibákból (működési hiba) eredő meghibásodásaira terjed ki, a készülék megvásárlásának/ szállításának időpontjától kezdődően. Ez a

garancia csak háztartási használatra értendő. A kivételeket a „Mire nem terjed ki a garancia?” című részben ismertetjük. A jótállási időszak alatt a javítási költségeket (pótalkatrészek, munkadíj és a műszaki személyzet utazási költségei) a márkaszerviz

viseli, feltéve, hogy a készülék javítási munkák végzéséből történő hozzáférése nem jár további költségekkel. Ezek a feltételek összhangban vannak az uniós irányelvekkel (99/44/EK) és a helyi rendeletekkel. A kicserélt alkatrészek az IKEA tulajdonába kerülnek.

Hogyan oldja meg az IKEA a problémát?

Az IKEA által a szervizeléssel megbízott szervizosztály megvizsgálja a terméket, és saját belátása szerint dönt arról, hogy

érvényesíthető-e a termékre a garancia. Az IKEA szervizrészele vagy az IKEA hivatalos szervizpartnerre a saját szervizközpontjain keresztül saját belátása szerint vagy megjavítja a hibás terméket, vagy kicseréli azt egy azonos vagy egyenértékű termékre.

Mire nem terjed ki a garancia?

- Normál kopás és elhasználódás
- Szándékosan okozott károk, a használati utasítások be nem tartása, helytelen telepítés vagy helytelen feszültségre való csatlakoztatás következtében keletkezett károk. Kémiai vagy elektrokémiai reakciók, rozsdás, korrózió vagy vízkár okozta károk, beleértve a vízvezetékekben lévő túlzott vízkő okozta károkat. Légköri- és természeti jelenségek által okozott károk.
- Az elhasználódásnak kitett alkatrészek, beleértve az elemeket és izzókat.
- A nem funkcionális és dekoratív részek sérülései, amelyek nem befolyásolják a készülék normál használatát, beleértve a karcolásokat és a színeltéréseket.
- Idegen testek vagy anyagok által okozott véletlen károk, valamint a szűrők, lefolyórendszerek vagy mosószer tartó fiókok tisztítása vagy eltömődésének eltávolítása által okozott károk.
- A következő alkatrészek sérülése: üvegerámia, tartozékok, evőeszköz- és edénykosarak, ellátó- és lefolyócsövek, tömítések, izzók és izzóburkolatok, rácsok, gombok, burkolatok és a burkolat részei. Kivéve, ha bizonyítható, hogy a kárt gyártási hiba okozta.
- Azokra az esetekre, amikor a technikus látogatása során nem észlelnek működési hibát.
- Nem a szerződéses szervizközpontunk és/vagy szerződéses szervizpartnerünk által elvégzett javítások, illetve nem eredeti pótalkatrészek használata esetén.
- A helytelen vagy nem az előírásoknak megfelelő beépítésből eredő javítások.
- A készülék nem rendeltetésszerű és/vagy nem háztartási használatának esetei, pl. professzionális használat.

- Szállításból eredő károk. Ha a vásárló a terméket saját otthonába vagy más címre szállítja, az IKEA nem vállal felelősséget a szállítás során esetlegesen bekövetkező károkért. Másrészt, ha az IKEA szállítja a terméket a vásárló címére, a termékben a szállítás során keletkezett bármilyen kárral kapcsolatban felmerülő költséget az IKEA fedezi.
- Az IKEA készülék első üzembe helyezésével kapcsolatos költségek. Ha azonban az IKEA szervizszolgáltató vagy annak felhatalmazott partnere a készüléket a jelen garancián belül megjavítja vagy kicseréli, a szervizszolgáltató vagy a felhatalmazott partner szükség esetén újra üzembe helyezi a megjavított készüléket vagy beszereli a cserekészüléket. Ezek a korlátozások nem vonatkoznak a szakképzett műszaki szakemberek által eredeti pótalkatrészekkel végzett rendszeres munkákra, amelyek célja, hogy a készüléket egy másik EU-tagország műszaki biztonsági előírásaihoz igazítsák.

A nemzeti jogszabályok alkalmazása

A vásárlót megilletik a 206/2005. sz. törvényerejű rendelet által biztosított jogok, és ez az 5 (öt) éves IKEA-garancia nem sérti ezeket a jogokat, amelyek megfelelnek az egyes országok minimális törvényes garanciális jogainak, vagy azok kiterjesztését jelentik. Ezek a feltételek azonban semmilyen módon nem korlátozzák a fogyasztó helyi törvényekben meghatározott jogait.

Érvényességi terület

Az egyik uniós országban vásárolt és egy másik uniós országba szállított készülékek esetében a szolgáltatás az új országban érvényes garanciális feltételek szerint történik. A jótállási feltételek szerinti szolgáltatási kötelezettség csak akkor áll fenn, ha a készülék megfelel a következőknek, és a készüléket a következők szerint szerelték fel:

- annak az országnak a műszaki előírásai, amelyben a garancia alkalmazását kéri;
- a telepítési útmutatóban és a felhasználói kézikönyvben található biztonsági információk.

Az IKEA készülékekre vonatkozó MÁRKASZERVIZELÉS

Ne habozzon, forduljon az IKEA által kijelölt hivatalos márkaszervizhez:

- műszaki segítségnyújtás igénylése a jótállási időszak alatt
- információt kérhet az IKEA készülékek működésével kapcsolatban.

A legjobb kiszolgálás érdekében kérjük, hogy mielőtt kapcsolatba lépne velünk, figyelmesen olvassa el a termék összeszerelési útmutatóját és/vagy használati utasítását.

Hogyan lépjen kapcsolatba velünk, ha segítségre van szüksége



Kérjük, hívja az IKEA márkaszervizt a kézikönyv utolsó oldalán található telefonszámon.

i A gyorsabb kiszolgálás érdekében javasoljuk, hogy a jelen kézikönyvben megadott telefonszámokat hívja. Mindig hivatkozzon a szervizelést igénylő készülék kézikönyvében megadott számokra. Javasoljuk, hogy mindig legyen kéznél a termék adattábláján feltüntetett (8 számjegyű) IKEA-kód és a 12 számjegyű kód.

i ŐRIZZE MEG A VÁSÁRLÁSI/ SZÁLLÍTÁSI DOKUMENTUMOT!

Ez a vásárlást igazolja, és a garancia érvényességének bizonyításához kell bemutatni. A nyugtán minden egyes megvásárolt készülék neve és IKEA cikkszám (8 számjegy) is szerepel.

További segítségre van szüksége?

Bármilyen, a szolgáltatással nem kapcsolatos információért kérjük, forduljon az adott IKEA áruház ügyfélszolgálatához. Kérjük, mielőtt kapcsolatba lépne velünk, figyelmesen olvassa el a készülék műszaki dokumentációját.

Инструкции за безопасност

ⓘ Преди първа употреба

За собствената ви безопасност и за правилна работа на уреда, прочетете внимателно това ръководство, преди да монтирате и използвате продукта.

Разгледайте внимателно предупредителните изображения в началото на това ръководство. За едно правилно и пълно инсталиране, консултирайте специфичното ръководство за инсталиране, доставено заедно с продукта.

Съхранявайте тези инструкции винаги заедно с уреда, дори и ако е продаден или предаден на други лица. Важно е потребителите да познават всички характеристики за работа и безопасност на уреда.

⚠ Това е символът за опасност, отнасящ се до безопасността, който предупреждава за потенциални рискове за потребителя и другите лица. Всички съобщения, отнасящи се до безопасността, ще бъдат предшествани от символа за опасност и следните термини:

⚠ ОПАСНОСТ: показва опасна ситуация, която, ако не бъде избегната, причинява сериозно нараняване.

⚠ ВНИМАНИЕ: показва опасна ситуация, която, ако не бъде избегната, може да доведе до сериозно нараняване.


Всички предупреждения за безопасност предоставят конкретни детайли за възможната опасност, както и указания, как да се намали рискът от нараняване, повреда и токов удар в резултат на неправилна употреба на уреда. Спазвайте внимателно следните инструкции.

- Проверете дали уредът не е повреден при транспортиране
- Отстранете защитите от картон, защитно фолио и лепящи се етикети от аксесоарите.

- Инсталирането и електрическото свързване трябва да се извършват от квалифициран техник съгласно инструкциите на производителя и в съответствие с местните разпоредби за безопасност. Не ремонтирайте или не заменяйте, която и да е част от уреда, ако не е изрично препоръчано в ръководството за употреба.

- Уредът трябва да бъде изключен от електрическата мрежа, преди да пристъпите към каквато и да било операция, свързана с инсталирането.

- **⚠ ПРЕДУПРЕЖДЕНИЕ:** липсата на инсталиране на винтовете или фиксиращите елементи, както се изисква от тези инструкции, може да доведе до електрически опасности.

- Заземяването на уреда е задължително по закон. (Не е възможно за аспиратори от клас II, обозначени със символа  на табелката със сериен номер).

- Не държайте кабели за захранване на уреда за да го изключите от електрическия контакт.

- След като приключите с инсталирането, електрическите компоненти не трябва да бъдат достъпни за потребителя.

- Не докосвайте уреда с влажни части на тялото и не го използвайте с боси крака.

- Този уред може да се използва от деца на възраст над 8 години и хора с ограничени физически, сетивни или умствени способности или без опит и неподходящи познания, само ако те са под наблюдение или са били инструктирани за безопасното използване на уреда и осъзнават рисковете. Децата трябва да бъдат контролирани да не играят с уреда. Почистването и обикновената поддръжка не трябва да се извършват от деца без надзор от страна на възрастен.

- Всички услуги поддръжка трябва да се извършват от специализиран техник.
- При пробиване на стената, внимавайте да не повредите електрическите връзки и/или тръби.
- Вентилационните отвори трябва винаги да се изпускат на открито.
- Производителят отхвърля всякаква отговорност за щети, дължащи се на неправилна употреба или неправилни настройки.
- Правилната поддръжка и почистване осигуряват успешната работа и подобра работа на уреда. Редовно почиствайте всички упорити замърсявания върху повърхността, за да се избегне натрупването на грес. Отстранявайте и почиствайте или сменяйте филтъра редовно. За тази цел, следвайте инструкциите, дадени в "Почистване и поддръжка".
- Не приготвяйте храна с пламък ("flambé") под уреда. Използването на открити пламъци може да предизвика пожар.
- Неспазването на стандартите за почистване на аспиратора и на замяната и почистването на филтрите, води до риск от пожар.
- Разтоварването на въздуха не трябва да бъде извършвано в димоотвод, използван за отвеждане на отработените газове, произведени от уреди с горене на газ или други горивни материали, а трябва да имат отделен отвод.
- Трябва да се спазват всички национални разпоредби за отвеждане на въздуха.
- Трябва да се осигури подходяща вентилация, ако аспираторът се използва заедно с други уреди, използващи газ или други горива. Отрицателното налягане в помещението не трябва да надвишава 4 Pa (4 x 10⁻⁵ bar). Поради тази причина се уверете, че помещението е добре проветриво. При съмнения, консултирайте се с оторизиран център за техническо обслужване или квалифициран специалист.
- Не оставяйте тиганите на газовия котлон без надзор при пържене на хранителни продукти, тъй като олиото, използвано за пържене, може да се възпламени.
- Преди да докоснете крушките, уверете се, че са студени.
- Не използвайте или не оставяйте аспиратора без правилно монтирана крушка, поради възможен риск от токов удар.
- Аспираторът не е опорна повърхност, следователно не поставяйте предмети върху него и не го претоварвайте.
- За всички операции на инсталиране и поддръжка използвайте подходящи работни ръкавици.
- Уредът не е подходящ за употреба на открито.

⚠ ПРЕДУПРЕЖДЕНИЕ: когато плътът за готвене работи, достъпните части на аспиратора могат да се нагряят.

⚠ ПРЕДУПРЕЖДЕНИЕ: Този уред е тежък; аспираторът трябва да се повдига и монтира само от двама или повече човека. Минималното разстояние между плота за готвене и долната страна на аспиратора, не трябва да бъде по-малко от 65 cm за плотове с газови котлони или други котлони и 50 cm за електрически котлони. Преди инсталиране, проверете и минималните разстояния, посочени в ръководството на плота за готвене. Ако в инструкциите за монтаж на плота за готвене е определена една по-голяма дистанция, трябва да се спази тази дистанция.

Инсталиране

Аспираторът е проектирана да бъде монтиран и използван в режим “аспирация” или “циркуляция”.

Версия с аспирация (вижте символа



в инструкциите за инсталиране)

Парата от готвене се засмуква и съпровожда извън помещението посредством отвеждаща тръба (не е доставена), свързана към изхода за пара на аспиратора.

Уверете се, че отвеждащата тръба е монтирана правилно на изхода за въздух с подходяща система за свързване.

Важно: ако вече е инсталиран, отстранете филтъра/те с активен въглен.

Версия с циркуляция на въздух

(вижте символа  **в инструкциите за инсталиране)**

Въздухът се филтрира през един или повече филтри и след това се насочва обратно в помещението.

Важно: уверете се, че има правилна циркуляция на въздух около аспиратора.

Важно: ако аспираторът няма филтри с активен въглен, те трябва да бъдат поръчани и инсталирани, преди да използвате уреда. Филтрите се предлагат в магазините на IKEA. Аспираторът трябва да се монтира далеч от особено замърсени зони, прозорци, врати и източници на топлина.

Акcesoари за стенен монтаж не са включени, тъй като стените от различни материали изискват различни видове акcesoари за монтаж. Използвайте фиксиращи системи, които са подходящи за стените на вашия дом и теглото на електроуредата. За повече информация се свържете със специализиран търговец. Запазете тези инструкции, за бъдещи справки.

Съвети за защита на околната среда


Материал на опаковка

Опаковката е 100% рециклируема и е маркирана със символа за рециклиране



Следователно, различните части на опаковката не трябва да се разпръсват в околната среда, а да се изхвърлят в съответствие с правилата, определени от местните органи.



Символът  върху продукта или в придружаващата го документация посочва, че този продукт не трябва да се третира като домашен отпадък, а трябва да бъде предаден в специално предназначени за това пунктове за рециклиране на електрически и електронни уреди.

Поддръжка и почистване

ПРЕДУПРЕЖДЕНИЕ

- Изключете аспиратора от електрическото захранване
- Почистете повърхностите с влажна кърпа. Ако е много мръсен, добавете няколко капки препарат за миене на съдове към водата. Изсушете със суха кърпа.
- Не използвайте инструменти или други инструменти за почистването.

- Избягвайте използването на почистващи машини с парна струя
- ВАЖНО:** не използвайте корозивни или абразивни почистващи препарати. Ако по невнимание някой от тези продукти влезе в контакт с уреда, незабавно го почистете с влажна кърпа.

Използвайте специфични препарати за почистване на уреда и следвайте инструкциите на производителя.

Не използвайте абразивни и телени гъби метални стъргалки. В дългосрочен план, те могат да повредят повърхността

ВАЖНО: почиствайте филтрите против мазнина поне веднъж месечно, за да отстраните остатъците от масло или грес.

За измиване на филтъра против мазнини

Металният филтър против мазнини има неограничена трайност и трябва да се измива веднъж месечно на ръка или в съдомиялна на ниски температури и с кратка програма.

При измиването в миялна машина филтър против мазнини може леко да се обезцвети, но неговите характеристики филтриращи свойства в никакъв случай няма да се променят.

Поддръжка на филтъра с активен въглен.

Филтърът срещу миризми трябва да се мие и регенерира на всеки 3-4 месеца (или по-често, ако аспираторът се използва интензивно), най-много до 8 цикъла на регенериране (в случай за особено интензивно използване, е препоръчително да не се надвишават 5 цикъла).

Процедура за регенериране

- Измивайте в съдомиялната машина при макс. температура 70°, на ръка с гореща вода, без да използвате абразивни гъби (не използвайте почистващи препарати!)
- Изсушете във фурната на максимална температура 70°C в продължение на 2 часа или оставете да изсъхне на стайна температура, като поставите филтъра в изправена позиция, за да улесните изтичането на вода.

Поддръжка на лампичките

Аспираторът има система за осветление със светодиоди.

Светодиодите гарантират оптимално осветление, продължителност до 10 пъти по-голяма от традиционните лампи и позволяват икономия на електрическа енергия с 90%.

За подмяната се свържете с оторизирания център за техническа поддръжка.

Електрическо свързване



⚠ ПРЕДУПРЕЖДЕНИЕ: Всички електрически връзки трябва да се извършват от квалифициран електротехник. Проверете дали напрежението, посочено на табелката на продукта, е същото като напрежението на мрежата. Тази информация е посочена от вътрешната страна на аспиратора, под филтъра против мазнини.

⚠ ПРЕДУПРЕЖДЕНИЕ: Ако аспираторът е оборудван с щепсел, свържете уреда към контакт, който отговаря на действащите разпоредби, разположен в достъпна зона. Аспираторът е оборудван със специален захранващ кабел (тип H05 VV-F); в случай на повреда, изискайте го от отдел техническо обслужване.

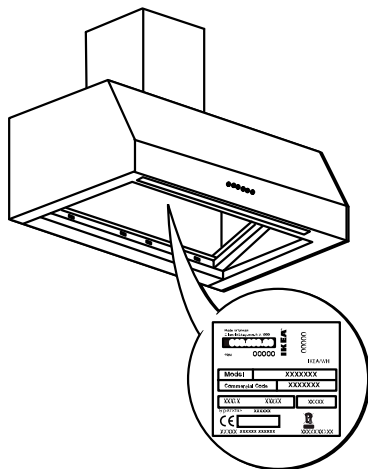
Ако не е снабден с щепсел (директно окабеляване към електрическата мрежа) или, ако контактът не е в достъпна зона, инсталирайте стандартен биполярен прекъсвач, който позволява пълна изолация от

електрическата мрежа в случай на свръх напрежение от категория III, в съответствие с правилата за окабеляване.

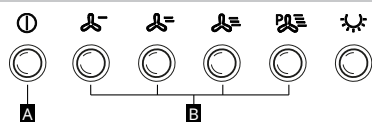
⚠ ПРЕДУПРЕЖДЕНИЕ: Не заварявайте нито един от кабелите!

Табелка с технически данни

Техническите данни са представени на табелката с данни, поставена от вътрешната страна на уреда



Контролен Панел



- A** Бутон OFF на двигател
- B** Бутон ON на двигател

ГАРАНЦИЯ ИКЕА

Колко време трае гаранцията на ИКЕА?

Тази гаранция е валидна 5 години от датата на закупуване/доставка на Вашия уред в магазин на ИКЕА. Трябва да се покаже оригиналната разписка като доказателство за покупка. Евантуални намеси за техническа поддръжка, извършена по време на гаранция, няма да удължи нейната валидност.

Кой предоставя услугата?

Техническото обслужване, избрано и оторизирано от ИКЕА, ще предоставя обслужването чрез своята мрежа от оторизирани Партньори за Поддръжка.

Какво покрива тази гаранция?

Гаранцията покрива дефекти в уреда, дължащи се на производствени дефекти (функционален дефект), започваща от датата на закупуване/доставка на електроуреда. Тази

гаранция е приложима само за домашна употреба. Изключенията са описани под заглавие “Какво не е покрито от тази гаранция?”. По време на периода на гаранцията, разходите за ремонт (резервни части, труд и пътуване на техническия персонал) ще бъдат поети от отдела за техническо обслужване, като се има предвид, че достъпът до оборудването за интервенция за ремонт не води до специални разходи. Тези условия са в съответствие с директивите на ЕС (№ 99/44/CE) и с местните разпоредби. Сменените компоненти стават собственост на IKEA.

Какво ще направи IKEA, за да разреши проблема?

Отделът за техническо обслужване, назначен от IKEA, за извършване на обслужването ще направи оглед на продукта и ще реши, по свое усмотрение, дали попада под гаранцията. Отделът за техническо обслужване на IKEA или неговият оторизиран Партньор за техническо обслужване посредством центровете за техническо обслужване, по свое усмотрение, ще ремонтира дефектния продукт или ще го замени с продукта от същата или равна на него стойност.

Какво не се покрива от гаранцията?

- Нормално износване
- Умишлено причинена повреда, щети, причинени от неспазване на инструкциите за употреба, неправилно инсталиране или последващо свързване към неправилно напрежение. Щети, причинени от химични или електрохимични реакции, ръжда, корозия или повреди, дължащи се на вода, включително щети, причинени от наличието на прекомерно количество котлен камък във водопроводите. Щети, причинени от атмосферни и природни явления.
- Части, подлежащи на износване, включително батерии и електрически крушки.
- Щети на не функционални и декоративни части, които не се отразяват на нормалната употреба на електроуреда, включително драскотини и разлики в цвета.
- Случайни щети, причинени от чужди тела или вещества и щети, причинени от почистване или отстраняване на запушвания на филтри, изпускателни уредби или чекмеджета за препарат.
- Повреди на следните компоненти: стъклена керамика, аксесоари, кошове за прибори за хранене и съдове, тръби за захранване и източване, уплътнения, крушки и капаци на крушки, решетки, регулатори, облицовка и части от облицовката. Освен ако не може да се докаже, че тези щети се дължат на производствени грешки.
- Случаи, в които не са установени функционални дефекти при посещението на техник.
- Ремонти, които не се извършват от нашия оторизиран отдел за техническо обслужване и/или оторизиран Партньор за поддръжка по договор или в случай на използване на неоригинални резервни части.
- Ремонти, в следствие на не правилно инсталиране или което не е в съответствие с характеристиките.
- Случаи на неправилна и/или не домашна употреба на уреда, напр. професионална употреба.
- Повреда при транспортиране. Ако клиентът транспортира продукта до дома си или на друг адрес, IKEA не носи отговорност за щети, които могат да възникнат по време на транспортирането. От друга страна, ако IKEA извърши транспортиране на продукта до адреса на клиента, всички щети по продукта по време на доставката ще бъдат покрити от IKEA.
- Разходите, свързани с първото инсталиране на уреда на IKEA. Въпреки това, ако доставчикът на

услуги на IKEA или негов упълномощен партньор ремонтира или замени уреда, съгласно условията на тази гаранция, доставчикът или упълномощеният партньор ще монтира отново ремонтира уреда или ще инсталират отново ремонтирания уред като замяна, ако е необходимо. Тези ограничения не се прилагат за редовни операции, извършвани от квалифициран технически персонал с оригинални резервни части, за да адаптира уреда към техническите разпоредби за безопасност на друга страна от ЕС.

Прилагане на националното законодателство

Клиентът е собственик на правата, предвидени в Зак. Пост. № 206/2005 и тази 5 (пет) годишна гаранция на IKEA, не засяга тези права, които отговарят или съществуват минимални законови права на всяка държава по отношение на гаранцията. Тези условия обаче по никакъв начин не ограничават правата на потребителя, определени от местните закони.

Област на валидност

За уреди, закупени в една държава от ЕС и прехвърлени в друга държава от ЕС, сервизното обслужване се осигурява съобразно нормалните гаранционни условия в новата държава.

Задължението за предоставяне на услугата, съгласно гаранционните условия, съществува само, ако електроуредът е в съответствие и е инсталиран, съгласно:

- техническите спецификации на държавата, в която се иска прилагането на гаранцията;
- информацията за безопасност, съдържаща се в инструкциите за инсталиране и Ръководството за употреба.

Специализирана услуга за ПОДДРЪЖКА на уредите IKEA

Моля, не се колебайте да се свържете с Оторизиран Отделът за Техническо Обслужване, посочен от IKEA за:

- поискайте техническа помощ за периода на гаранция
- изисква информация за функционирането на електроуредите IKEA.

За да Ви предоставим най-доброто обслужване, Ви молим да прочетете внимателно инструкциите за монтаж и/или ръководството с инструкции на продукта, преди да се свържете с нас.

Как да се свържете с нас, ако се нуждаете от техническо обслужване



Моля, свържете се с номера на отдела за техническо обслужване на IKEA, посочен на последната страница от това ръководство.

И За да Ви гарантираме по-бързо обслужване, Ви препоръчваме да използвате телефонните номера, дадени в това ръководство. Винаги консултирайте номерата, посочени в ръководството на оборудването, за което се нуждаете от техническо обслужване. Препоръчваме Ви винаги да разполагате с кода на IKEA (8 цифри) и 12-цифрения код на етикета на Вашия продукт.

И ЗАПАЗЕТЕ ДОКУМЕНТА ЗА ПОКУПКА/ДОСТАВКА!

Това е доказателство за Вашата покупка и трябва да я покажете, за да бъде валидна гаранцията. В разписката са посочени също и името и кодът на артикула IKEA (8 цифри) за всяко закупено оборудване.

И Имате ли нужда от допълнителна помощ?

За всякаква информация, която не е свързана с техническото обслужване, моля, обърнете се към отдела за обслужване на клиенти на мястото на продажба IKEA. Препоръчваме

внимателно да прочетете техническата документация на електроуреда, преди да се свържете с нас.

Instrucțiuni de siguranță

i Înainte de prima utilizare

Pentru siguranța dumneavoastră și pentru corecta funcționare a aparatului, vă rugăm să citiți cu atenție prezentul manual, înainte de a efectua operațiunile de instalare și de punere în funcțiune. Priviți cu atenție imaginile de avertizare de la începutul acestui manual. Pentru o instalare corectă și completă, consultați manualul de instalare specific furnizat împreună cu produsul.

Păstrați întotdeauna acest manual de instrucțiuni la un loc cu aparatul, chiar și în cazul vânzării sau transmiterii acestuia către terți. Este important ca utilizatorii să cunoască toate caracteristicile de funcționare și de siguranță a aparatului.

⚠ Acesta este simbolul de pericol, cu privire la siguranță, care avertizează asupra riscurilor potențiale pentru utilizator și pentru alte persoane.

Toate mesajele de siguranță vor fi precedate de simbolul de pericol și de următorii termeni:

⚠ PERICOL: indică o situație periculoasă care, dacă nu este evitată, va duce la vătămări grave.

⚠ AVERTISMENT: indică o situație periculoasă care, dacă nu este evitată, poate duce la vătămări grave.

Toate avertismentele de siguranță oferă detalii specifice cu privire la posibilul pericol prezent, precum și indicații cu privire la modul de reducere a riscului de leziuni, daune și electrocutări ca urmare a utilizării necorespunzătoare a aparatului. Respectați cu atenție următoarele instrucțiuni.

- Verificați dacă aparatul nu prezintă daune de transport
- Îndepărtați protecțiile din carton, foliile de protecție și etichetele adezive de pe accesorii.
- Instalarea și conexiunea electrică trebuie efectuate de un tehnician calificat conform instrucțiunilor

producătorului și în conformitate cu reglementările locale de siguranță. Nu reparați sau înlocuiți nicio piesă a aparatului decât dacă este recomandat în mod specific în manualul de utilizare.

- Aparatul trebuie deconectat de la rețeaua electrică înainte de efectuarea oricărei intervenții de instalare.
- **⚠ AVERTISMENT:** neinstalarea șuruburilor sau a elementelor de fixare în conformitate cu aceste instrucțiuni poate duce la pericole de natură electrică.
- Împământarea aparatului este obligatorie prin lege. (Acest lucru nu este posibil pentru hotele clasa II identificate prin simbolul  de pe plăcuța cu date tehnice).
- Nu trageți de cablul de alimentare al aparatului pentru a-l deconecta de la priză.
- Odată terminată instalarea, componentele electrice nu mai trebuie să fie accesibile utilizatorului.
- Nu atingeți aparatul cu părțile umede ale corpului și nu îl utilizați cu picioarele goale.
- Acest aparat poate fi folosit de copiii cu vârsta peste 8 ani și de persoanele cu abilități fizice, senzoriale sau mentale reduse sau cu experiență și cunoștințe neadecvate numai dacă sunt supravegheați sau dacă au primit instrucțiuni privind utilizarea în siguranță a aparatului și înțeleg riscurile implicate. Copiii trebuie supravegheați pentru a nu se juca cu aparatul. Curățarea și întreținerea de rutină nu trebuie efectuate de către copii fără supravegherea unui adult.
- Toate celelalte servicii de întreținere trebuie efectuate de un tehnician specializat.
- Când se găurește peretele, aveți grijă să nu deteriorați conexiunile electrice și/ sau țevile.

- Gurile de ventilație trebuie să fie întotdeauna evacuate în exterior.
- Producătorul își declină orice responsabilitate pentru eventualele daune cauzate de o utilizare necorespunzătoare sau de setări incorecte.
- O întreținere și o curățare corespunzătoare asigură succesul lucrării și cea mai bună performanță a aparatului. Curățați în mod regulat toată murdăria persistentă de pe suprafață pentru a evita acumularea de grăsime. Îndepărtați și curățați sau schimbați filtrul în mod regulat. Pentru a face acest lucru, urmați instrucțiunile din paragraful „Curățare și întreținere”.
- Nu gătiți alimente cu flăcără („flambare”) pe aparat. Folosirea flăcărilor deschise poate duce la provocarea unui incendiu.
- Nerespectarea instrucțiunilor de curățare a hotei și de înlocuire și curățare a filtrelor atrage riscul de incendiu.
- Aerul de evacuare nu trebuie să fie evacuat într-o conductă folosită pentru evacuarea fumului produs de aparatele pe gaz sau alți combustibili, ci trebuie să aibă o ieșire independentă.
- Trebuie respectate toate reglementările naționale referitoare la evacuarea aerului.
- De asemenea, trebuie să existe o ventilație adecvată dacă hota este utilizată împreună cu alte aparate care folosesc gaz sau alți combustibili. Presiunea negativă a încăperii nu trebuie să depășească 4 Pa (4 x 10⁻⁵ bari). Din acest motiv, asigurați-vă că încăperea este bine ventilată. Dacă aveți îndoieli, contactați un centru de service autorizat sau un profesionist calificat.
- Nu lăsați tigăile pe foc nesupravegheate în timp ce prăjiți alimente, deoarece uleiul folosit pentru prăjit se poate aprinde.
- Înainte de a atinge becurile, asigurați-vă că acestea s-au răcit.
- Nu folosiți și nu lăsați hota fără becul montat corect, deoarece acest lucru poate duce la electrocutare.
- Hota nu este o suprafață de sprijin, în consecință, nu trebuie să așezați obiecte pe ea și să nu o supraîncărcați.
- Pentru toate operațiunile de instalare și întreținere, utilizați mănuși de lucru adecvate.
- Aparatul nu este potrivit pentru utilizare în aer liber.


⚠ AVERTISMENT: când plita se află în funcțiune, părțile accesibile ale hotei se pot încinge.

⚠ AVERTISMENT: acest aparat este greu; hota trebuie ridicată și instalată numai de două sau mai multe persoane. Distanța minimă dintre plită și partea inferioară a hotei nu trebuie să fie mai mică decât 65 cm pentru plitele cu arzătoare pe gaz sau cu alt combustibil și 50 cm pentru plitele electrice. Înainte de instalare, verificați și distanțele minime indicate în manualul plitei. Dacă în instrucțiunile de instalare a plitei este specificată o distanță mai mare, această distanță trebuie respectată.

Instalare

Hota este concepută pentru a fi instalată și utilizată în modul „aspirare” sau „recirculare”.

Versiune cu aspirație (a se vedea

simbolul  din instrucțiunile de instalare)

Aburul de gătit este aspirat și transportat în afara încăperii printr-o țevă de evacuare (nefurnizată), conectată la ieșirea aburului hotei.

Asigurați-vă că țeava de evacuare este montată corect în orificiul de evacuare a aerului cu un sistem de conectare adecvat.

Important: dacă este deja instalat/sunt instalate, scoateți filtrul/filtrele de carbon.

Versiune cu recircularea aerului

(a se vedea simbolul  din instrucțiunile de instalare)

Aerul este filtrat printr-unul sau mai multe filtre și apoi transportat înapoi în încăpere.

Important: asigurați-vă că există o circulație corectă a aerului în jurul hotei.

Important: dacă hota nu este dotată cu filtre de carbon, acestea trebuie comandate și asamblate înainte de folosirea aparatului. Filtrele sunt disponibile în magazinele IKEA.


Hota trebuie instalată departe de zone deosebit de murdare, ferestre, uși și surse de căldură.

Accesoriiile de fixare pe perete nu sunt incluse deoarece pereții din materiale diferite necesită diferite tipuri de accesorii de fixare. Utilizați sisteme de fixare potrivite pereților casei dvs. și greutateii aparatului. Pentru mai multe detalii, contactați un dealer specializat.

Păstrați aceste instrucțiuni pentru referințe viitoare.


Sfaturi pentru protejarea mediului

Materialul de ambalare

Ambalajul este 100% reciclabil și este marcat cu simbolul de reciclare 

Prin urmare, diferitele părți ale ambalajului nu trebuie să fie dispersate în mediu, ci eliminate în conformitate cu regulile stabilite de autoritățile locale.



Simbolul  aplicat pe aparat sau pe documentația de însoțire a acestuia indică faptul că produsul nu trebuie considerat ca fiind un deșeu menajer normal, ci trebuie predat unui punct de colectare autorizat pentru reciclarea echipamentelor electrice și electronice.

Curățare și întreținere

AVERTISMENT

- Deconectați hota de la sursa de alimentare electrică
- Curățați suprafețele cu o cârpă umedă. Dacă sunt foarte murdare, adăugați câteva picături de detergent de vase în apă. Ștergeți cu o cârpă uscată.
- Nu folosiți ustensile sau alte unelte pentru curățare.
- Evitați utilizarea aparatelor de curățare cu jet de abur

IMPORTANT: nu utilizați substanțe de curățare corozive sau abrazive. Dacă, din neatenție, unul dintre aceste produse ar intra în contact cu aparatul, curățați-l imediat cu o cârpă umedă.

Utilizați detergenți specifici pentru a curăța aparatul și urmați instrucțiunile producătorului.

Nu folosiți bureți abrazivi, perii de sârmă sau raclete metalice. Pe termen lung, acestea pot deteriora suprafața

IMPORTANT: curățați filtrele de grăsime cel puțin o dată pe lună pentru a îndepărta orice ulei sau grăsime reziduală.

Pentru a spăla filtrul de grăsime

Filtrul metallic de grăsime are o durată de viață nelimitată și trebuie spălat o dată pe lună manual sau în mașina de spălat vase la temperaturi scăzute și la program scurt. Filtrul de grăsime se poate decolora ușor atunci când este spălat în mașina de spălat vase, dar caracteristicile sale de filtrare nu se schimbă deloc.

Întreținerea filtrului de carbon.

Filtrul anti-mirosuri trebuie spălat și refolosit la fiecare 3-4 luni (sau mai frecvent dacă hota este supusă unei utilizări intensive), până la maximum 8 cicluri de refolosire (în cazul utilizării deosebit de intense, se recomandă să nu depășească 5 cicluri).

Procedura de refolosire

- A se spăla în mașina de spălat vase la o temperatură maximă de 70 °C, sau manual în apă fierbinte fără a folosi bureți abrazivi (nu folosiți detergenți!)
- Se usucă în cuptor la o temperatură maximă de 70 °C timp de 2 ore, sau se lasă să se usuce la temperatura camerei, așezând filtrul în poziție verticală pentru a facilita curgerea apei.

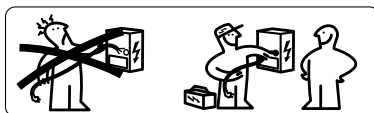
Întreținerea becurilor

Hota este echipată cu un sistem de iluminat cu led.

Ledurile asigură o iluminare excelentă, o durată de viață cu până la de 10 ori mai lungă decât becurile tradiționale și permit o reducere de 90% a consumului de energie electrică.

Pentru a le înlocui, adresați-vă unui Centru de Asistență Autorizat.

Conexiune electrică



⚠️ AVERTISMENT: Toate conexiunile electrice trebuie efectuate de către un instalator autorizat. Verificați dacă tensiunea indicată pe plăcuța produsului este aceeași cu cea a rețelei electrice. Aceste informații sunt indicate în interiorul hotei, sub filtrul de grăsime.

⚠️ AVERTISMENT: Dacă hota este dotată cu ștecăr, conectați aparatul la o priză conformă cu reglementările în vigoare, aflată într-o zonă accesibilă. Hota este echipată cu un cablu de alimentare special

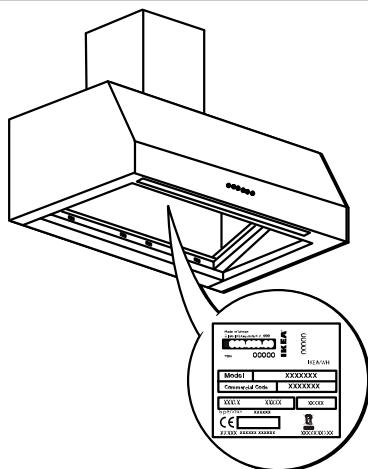
(tip H05 VV-F); în caz de deteriorare, solicitați altul nou de la serviciul de asistență tehnică.

Dacă nu este echipat cu ștecăr (cablare directă la rețea), sau dacă priza nu se află într-o zonă accesibilă, instalați un întrerupător bipolar standardizat care să permită izolarea completă de la rețea în cazul unei supratensiuni de categoria III, în conformitate cu standardele de cablare.

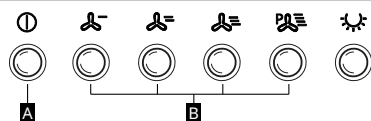
⚠️ AVERTISMENT: Nu efectuați operațiuni de sudură pe cabluri!

Plăcuță cu date

Datele tehnice sunt afișate pe plăcuță situată pe partea internă a aparatului



Panou de comenzi



A Tastă OFF motor

B Tastă ON motor

GARANȚIE IKEA

Cât durează garanția IKEA?

Această garanție este valabilă 5 ani de la data achiziționării/livrării aparatului dumneavoastră electrocasnic de la unul dintre magazinele IKEA. Este necesar să prezentați chitanța originală ca document care să ateste achiziția. Orice intervenție de asistență efectuată în timpul garanției nu va prelungi valabilitatea acesteia.

Cine oferă serviciul?

Serviciul de asistență selectat și autorizat de IKEA va furniza serviciul prin intermediul rețelei sale de Parteneri de service autorizați.

Ce acoperă această garanție?

Garanția acoperă defectele aparatului electrocasnic cauzate de defecte de fabricație (defect de funcționare), începând de la data achiziției/livrării aparatului. Această garanție este valabilă numai pentru uz casnic. Excepțiile sunt descrise în secțiunea „Ce nu este acoperit de garanție?”. În perioada de garanție, costurile de reparație

(piese de schimb, manopera și deplasarea personalului tehnic) vor fi suportate de către serviciul post-vânzare, înțelegându-se că accesul la echipamentul pentru reparații nu implică cheltuieli deosebite. Aceste condiții sunt conforme cu directivele UE (Nr. 99/44/CE) și reglementările locale. Componentele înlocuite devin proprietatea IKEA.

Cum va interveni IKEA pentru a rezolva problema?

Serviciul de asistență desemnat de IKEA pentru realizarea serviciului va examina produsul și va decide, la alegerea sa, dacă acesta este acoperit de garanție. Serviciul de asistență IKEA sau partenerul său de service autorizat prin Centrele de service respective va repara, la alegerea sa, produsul defect sau îl va înlocui cu un produs de aceeași valoare sau egală.

Ce nu este acoperit de garanție?

- Uzura normală
- Deteriorările cauzate deliberat, daunele cauzate de nerespectarea instrucțiunilor de utilizare, de instalarea incorectă sau de conectarea la o tensiune greșită. Daunele cauzate de reacții chimice sau electrochimice, rugină, coroziune sau daune cauzate de apă, inclusiv daunele cauzate de prezența excesivă a calcarului în conductele de apă. Daunele cauzate de evenimente atmosferice și naturale.
- Piesele consumabile, inclusiv baterii și becuri.
- Deteriorările pieselor nefuncționale și decorative care nu afectează utilizarea normală a aparatului, inclusiv zgârieturi și diferențe de culoare.
- Deteriorările accidentale cauzate de corpuri sau substanțe străine și daunele cauzate de curățarea sau îndepărtarea obstacolelor din filtre, sisteme de scurgere sau sertare pentru detergent.
- Deteriorările următoarelor componente: plită ceramică, accesorii, coșuri pentru tacâmuri și veselă, țevi de alimentare și de scurgere, garnituri, becuri și capace pentru becuri, grătare,

butoane, înveliș și părți ale învelișului/ carcasei. Cu excepția cazului în care se poate dovedi că astfel de daune au fost cauzate de erori de fabricație.

- Situațiile în care nu sunt detectate defecte funcționale în timpul vizitei unui tehnician.
- Reparațiile neefectuate de către Centrul nostru de service autorizat și/sau de către un partener de service contractual autorizat sau în cazul utilizării de piese de schimb neoriginale.
- Reparațiile cauzate de instalarea incorectă sau neconformă cu specificațiile.
- Cazurile de utilizare necorespunzătoare și/sau în afara ariei casnice a aparatului, de ex. uz profesional.
- Daune de transport. În cazul în care clientul transportă produsul la domiciliu sau la altă adresă, IKEA nu este responsabilă pentru eventualele daune care pot apărea în timpul transportului. Pe de altă parte, dacă IKEA efectuează transportul produsului la adresa clientului, orice deteriorare a produsului în timpul livrării va fi acoperită de IKEA.
- Costurile pentru instalarea inițială a aparatului electrocasnic IKEA. Totuși, dacă un furnizor de servicii IKEA sau partenerul său autorizat repară sau înlocuiește aparatul în conformitate cu termenii acestei garanții, furnizorul sau partenerul autorizat va reinstala aparatul reparat sau va instala aparatul de înlocuire, dacă este necesar. Aceste restricții nu se aplică intervențiilor regulate efectuate de personalul tehnic calificat, cu piese de schimb originale, pentru adaptarea aparatului la reglementările tehnice de siguranță ale unei alte țări UE.

Aplicarea legilor naționale

Clientul este proprietarul drepturilor prevăzute de Decretul Legislativ nr. 206/2005 și această garanție IKEA de 5 (cinci) ani nu afectează aceste drepturi care îndeplinesc sau extind drepturile minime legale ale fiecărei țări în ceea ce privește

garanția. Astfel de condiții nu limitează în niciun fel drepturile consumatorului astfel cum sunt definite de legile locale.

Zona de valabilitate

Pentru aparatele electrocasnice achiziționate într-o țară UE și aduse în altă țară UE, serviciile vor fi furnizate în condițiile de garanție aplicabile în noua țară. Obligația de a presta serviciul în condițiile garanției există numai în cazul în care aparatul respectă și este instalat conform:

- specificațiilor tehnice ale țării în care se solicită aplicarea garanției;
- informațiilor de siguranță cuprinse în Instrucțiunile de asamblare și în Manualul de utilizare.

Serviciul de ASISTENȚĂ dedicat electrocasnicilor IKEA

Nu ezitați să contactați Centrul de service autorizat desemnat de IKEA pentru:

- a solicita asistență tehnică în perioada de garanție
- a solicita informații cu privire la funcționarea electrocasnicilor IKEA.

În vederea asigurării celor mai bune servicii, vă rugăm să citiți cu atenție instrucțiunile de asamblare și/sau manualul de instrucțiuni al produsului înainte de a ne contacta.

Cum să ne contactați dacă aveți nevoie de asistență



Vă rugăm să contactați numărul Centrului de service IKEA aflat pe ultima pagină a acestui manual.

i Pentru a vă garanta un serviciu mai rapid, vă sugerăm să utilizați numerele de telefon enumerate în acest manual. Consultați întotdeauna numerele indicate în manualul echipamentului pentru care aveți nevoie de asistență. Vă sugerăm să aveți întotdeauna la dispoziție codul IKEA (8 cifre) și codul din 12 cifre afișat pe eticheta produsului dvs.

**i PĂSTRĂȚI DOCUMENTUL DE
CUMPĂRARE/LIVRARE!**

Aceasta este dovada achiziției dvs. și trebuie prezentată pentru ca garanția să fie valabilă. De asemenea, numele și codul articolului IKEA (8 cifre) sunt indicate pe chitanța pentru fiecare aparat achiziționat.

Aveți nevoie de mai mult ajutor?

Pentru orice informații care nu se referă la asistență, vă rugăm să consultați Serviciul Clienți al punctului de vânzare de referință IKEA. Vă rugăm să citiți cu atenție documentația tehnică referitoare la aparatul electrocasnic înainte de a ne contacta.

Sigurnosne upute

i Prije prve upotrebe

Radi vlastite sigurnosti i kako biste osigurali ispravan rad uređaja, molimo da pažljivo pročitate ovaj priručnik prije instalacije i stavljanja uređaja u rad. Pažljivo pogledajte slike upozorenja na početku ovog priručnika. Za ispravnu i potpunu instalaciju pogledajte poseban priručnik za instalaciju isporučen s proizvodom.

Uvijek držite ove upute zajedno s uređajem, čak i ako ga prodajete ili prosjeđujete trećim osobama. Važno je da su korisnici upoznati sa svim karakteristikama rada i sigurnosti uređaja.

⚠Ovo je simbol opasnosti, koji se odnosi na sigurnost, koji upozorava na moguće rizike za korisnika i druge.


Svim sigurnosnim porukama prethodit će simbol opasnosti i sljedeći izrazi:

⚠ OPASNOST: označava opasnu situaciju koja će, ako se ne izbjegne, dovesti do ozbiljnih ozljeda.

⚠ UPOZORENJE: označava opasnu situaciju koja, ako se ne izbjegne, može dovesti do ozbiljnih ozljeda.

Sva sigurnosna upozorenja sadrže specifične pojedinosti o mogućim opasnostima, kao i naznake o tome kako smanjiti rizik od ozljeda, oštećenja i električnog udara koji su posljedica nepravilne uporabe uređaja. Pažljivo promatrajte sljedeće upute.

- Provjerite da uređaj nije oštećen prilikom transporta
- Uklonite kartonske štitnike, zaštitne folije i ljepljive naljepnice s pribora.
- Instalaciju i električno spajanje mora izvesti kvalificirani tehničar prema uputama proizvođača i u skladu s lokalnim sigurnosnim propisima. Ne popravljajte ili mijenjajte bilo koji dio uređaja osim ako nije izričito preporučeno u korisničkom priručniku.
- Uređaj mora biti isključen iz napajanja prije svakog pokušaja ugradnje.

- **⚠ UPOZORENJE:** ako ne ugradite vijke ili pričvrstne elemente kako je opisano u ovim uputama, može doći do opasnosti od strujnog udara.
- Uzemljenje uređaja je obvezno po zakonu. (Nije moguće za nape klase II označene simbolom  na natpisnoj pločici).
- Nemojte povlačiti kabel za napajanje uređaja kako biste ga isključili iz utičnice.
- Nakon završetka ugradnje, električni dijelovi više ne smiju biti raspoloživi korisniku.
- Ne dirajte aparat mokrim dijelovima tijela i nemojte ga koristiti bosim nogama.
- Ovaj uređaj mogu koristiti djeca starija od 8 godina i osobe sa smanjenim fizičkim, osjetilnim ili mentalnim sposobnostima ili s neadekvatnim iskustvom i znanjem samo ako su pod nadzorom ili ako su primile upute o sigurnoj uporabi uređaja i razumiju uključeni rizici. Djeca trebaju biti pod nadzorom kako bi se osiguralo da se ne igraju s uređajem. Čišćenje i rutinsko održavanje ne smiju obavljati djeca bez nadzora odrasle osobe.
- Sve ostale usluge održavanja mora obavljati specijalizirani tehničar.
- Prilikom bušenja zida pazite da ne oštetite električne i/ili vodovodne instalacije.
- Ventilacijski otvori uvijek moraju odvoditi zrak na otvorenom.
- Proizvođač odbija svaku odgovornost za bilo kakvu štetu uzrokovanu nepravilnim korištenjem ili netočnim postavkama.
- Pravilno održavanje i čišćenje osiguravaju uspjeh u radu i najbolji učinak uređaja. Redovito čistite svu tvrdokornu prljavštinu na površini kako biste izbjegli nakupljanje masnoće. Redovito uklanjajte i čistite ili mijenjajte filter. Da biste to učinili, slijedite upute dane u "Čišćenje i održavanje".

- Nemojte kuhati hranu na plamenu ("flambé") ispod uređaja. Korištenje otvorenog plamena može uzrokovati požar.
- Nepoštivanje uputa za čišćenje nape te za zamjenu i čišćenje filtera nosi opasnost od požara.
- Ispušni zrak se ne smije ispuštati u kanal koji se koristi za evakuaciju dima koje proizvode uređaji koji spaljuju plin ili druga goriva, već mora imati neovisni izlaz.
- Moraju se poštivati svi nacionalni propisi koji se odnose na ispuštanje zraka.
- Ako se napa koristi zajedno s drugim uređajima koji koriste plin ili druga goriva mora biti prisutna odgovarajuća ventilacija. Podtlak prostorije ne smije biti veći od 4 Pa (4 x 10⁻⁵ bara). Iz tog razloga, pobrinite se da soba bude dobro prozračena. Ako ste u nedoumici, obratite se ovlaštenom servisu ili kvalificiranom stručnjaku.
- Ne ostavljajte posude na vatri bez nadzora dok pržite hranu, jer bi se ulje koje se koristi za prženje moglo zapaliti.
- Prije dodirivanja žarulja provjerite jesu li hladne.

- Nemojte koristiti niti ostavljati napu bez pravilno postavljene žarulje, jer to može uzrokovati strujni udar.
- Napa nije potporna površina, stoga nemojte na nju stavljati predmete niti je preopteretiti.
- Za sve operacije instalacije i održavanja upotrebljavajte odgovarajuće radne rukavice.
- Uređaj nije prikladan za vanjsku upotrebu.

⚠ UPOZORENJE: kada ploča za kuhanje radi, dostupni dijelovi nape mogu postati vrući.

⚠ UPOZORENJE: ovaj uređaj je težak; napu smiju podizati i postavljati samo dvije ili više osoba. Minimalni razmak između ploče za kuhanje i donjeg dijela nape ne smije biti manji od 65 cm pomiješane za ploče za kuhanje s plinskim ili drugim plamenicima za kuhanje i 50 cm za električne ploče za kuhanje. Prije ugradnje također provjerite minimalne udaljenosti navedene u priručniku za ploču za kuhanje. Ako je u uputama za ugradnju ploče za kuhanje navedena veća udaljenost, treba se pridržavati te udaljenosti.

Instalacija

Napa je dizajnirana za ugradnju i korištenje u "usisnom" ili "recirkulacijskom" načinu rada.

Usisna verzija (vidi simbol  u uputama za ugradnju)

Para nastala kuhanjem se usisava i prenosi izvan doma kroz ispušnu cijev (nije isporučena), spoju na izlaz za paru nape. Uvjerite se da je ispušna cijev ispravno montirana u otvor za zrak s odgovarajućim priključnim sustavom.

Važno: ako je već instaliran/i, uklonite ugljični/i filter/e.

Verzija s recirkulacijom zraka

(vidi simbol  u uputama za ugradnju)

Zrak se filtrira kroz jedan ili više filtara, a zatim se vraća natrag u prostoriju.

Važno: provjerite postoji li pravilna cirkulacija zraka oko nape.

Važno: ako napa ne dolazi s ugljičnim filterima, oni se moraju naručiti i sastaviti prije korištenja uređaja. Filtri su dostupni u IKEA trgovinama.

Napa se mora postaviti dalje od posebno prljavih mjesta, prozora, vrata i izvora topline.


Pribor za pričvršćivanje na zid nije uključen jer zidovi od različitih materijala zahtijevaju različite vrste pribora za pričvršćivanje. Koristite sustave za pričvršćivanje prikladne za zidove vašeg doma i težinu uređaja. Za više pojedinosti obratite se specijaliziranom prodavaču.

Sačuvajte ove upute za buduću upotrebu.

Savjeti za očuvanje okoliša


Materijal za pakiranje

Ambalaža se može 100% reciklirati i

označena je simbolom za recikliranje 

Stoga se različiti dijelovi pakiranja ne smiju raspršiti u okolišu, već zbrinuti u skladu s pravilima koja su utvrdile lokalne vlasti.



Simbol  na proizvodu ili na popratnoj dokumentaciji pokazuje da se ovaj proizvod ne smije tretirati kao kućni otpad, nego se mora dostaviti na odgovarajuće mjesto prikupljanja otpada za recikliranje električne i elektroničke opreme.

Čišćenje i održavanje

UPOZORENJE

- Odvojite napu od napajanja
- Očistite površine vlažnom krpom. Ako je jako prljavo, dodajte nekoliko kapi sapuna za suđe u vodu. Obrišite suhom krpom.
- Nemojte koristiti pribor ili druge alate za čišćenje.
- Izbjegavajte korištenje čistača s parnim mlazom

VAŽNO: nemojte koristiti korozivna ili abrazivna sredstva za čišćenje. Ako, slučajno, jedan od ovih proizvoda dođe u dodir s uređajem, odmah ga očistite vlažnom krpom.

Koristite posebne deterdžente za čišćenje uređaja i slijedite upute proizvođača. Nemojte koristiti abrazivne spužve, čeličnu vunu ili metalne strugače. Dugoročno, mogu oštetiti površinu

VAŽNO: očistite filtre za masnoću barem jednom mjesečno kako biste uklonili ostatke ulja ili masti.

Za pranje filtra za masnoću

Metalni filter za masnoću ima neograničen vijek trajanja i mora se prati jednom mjesečno ručno ili u perilici posuđa na niskim temperaturama i na kratkom programu.

Filter za masnoću može lagano promijeniti boju kada se pere u perilici posuđa, ali se njegove karakteristike filtriranja uopće ne mijenjaju.

Održavanje ugljičnog filtra.

Filter za mirise se mora prati i regenerirati svaka 3-4 mjeseca (ili češće ako je napa podložna intenzivnoj uporabi), do maksimalno 8 ciklusa regeneracije (u slučaju posebno intenzivne uporabe, preporuča se ne prekoračiti 5 ciklusa).

Postupak regeneracije

- Perite u perilici posuđa na maksimalnoj temperaturi od 70 °C, ili ručno u vrućoj vodi bez upotrebe abrazivnih spužvi (ne koristite deterdžente!)
- Sušite u pećnici na maksimalnoj temperaturi od 70 °C 2 sata ili ostavite da se suši na sobnoj temperaturi, stavljajući filter u okomit položaj kako bi se olakšao protok vode.

Održavanje žarulja

Napa je opremljena LED sustavom osvjetljenja.

LED svjetla jamče optimalno osvjetljenje, trajanje do 10 puta dulje od tradicionalnih žarulja i omogućuju 90% uštede električne energije.

Za zamjenu obratite se ovlaštenom servisnom centru.

Električno priključivanje



⚠ UPOZORENJE: Sve električne priključke mora izvesti ovlašteni električar. Provjerite je li napon naveden na pločici proizvoda jednak naponu mreže. Ova informacija je naznačena unutar nape, ispod filtra za masnoću.

⚠ UPOZORENJE: Ako je napa opremljena utikačem, spojite uređaj na utičnicu koja se nalazi na pristupačnom mjestu, u skladu s važećim propisima. Napa je opremljena posebnim kablom za

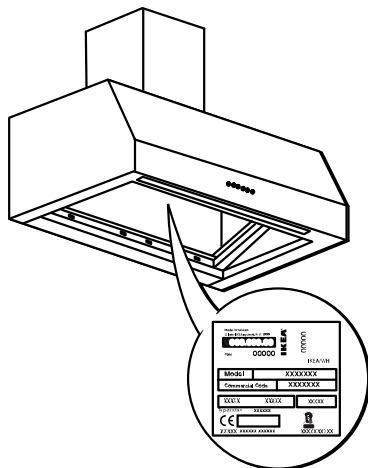
napajanje (tip H05 VV-F); u slučaju oštećenja zatražite od službe tehničke pomoći.

Ako nije opremljen utikačem (izravno ožičenje na mrežu) ili ako utičnica nije u pristupačnom području, ugradite standardiziranu bipolarnu sklopku koja omogućuje potpunu izolaciju od mreže u slučaju prenapona III kategorije, u skladu s sa ožičenjem.

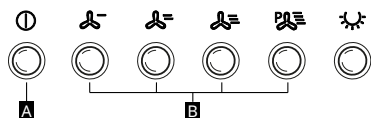
⚠ UPOZORENJE: Nemojte zavarivati kabele!

Pločica s podacima

Tehnički podaci prikazani su na pločici koja se nalazi na unutarnjoj strani uređaja



Upravljačka ploča



- A** Tipka OFF motora
- B** Tipka ON motora

IKEA JAMSTVO

Koliko traje IKEA jamstvo?

Ovo jamstvo vrijedi 5 godine od datuma kupnje/isporuke vašeg uređaja u IKEA trgovini. Kao dokument koji dokazuje kupnju potrebno je pokazati originalni račun. Servisne intervencije izvršene tijekom jamstva neće produžiti njegovu valjanost.

Tko pruža uslugu?

Služba pomoći koju je odabrala i ovlastila IKEA pružit će uslugu putem svoje mreže ovlaštenih servisnih partnera.

Što pokriva ovo jamstvo?

Jamstvo pokriva nedostatke uređaja uzrokovane greškama u proizvodnji (funkcionalni nedostatak), počevši od datuma kupnje/isporuke uređaja. Ovo jamstvo vrijedi samo za kućnu upotrebu. Iznimke su opisane pod "Što nije pokriveno jamstvom?". Tijekom jamstvenog roka troškove popravka

(rezervnih dijelova, rada i putovanja tehničkog osoblja) snosi servisna služba, s tim da pristup opremi za popravak ne uključuje posebne troškove. Ovi uvjeti su u skladu s direktivama EU (br. 99/44/EZ) i lokalnim propisima. Zamijenjene komponente postaju vlasništvo IKEA-e.

Kako će IKEA intervenirati da riješi problem?

Servis nakon prodaje kojeg je IKEA odredila za izvršenje usluge pregledat će proizvod i odlučiti, prema vlastitom nahođenju, je li pokriven jamstvom. Servisni odjel IKEA ili njegov ovlaštení servisni partner preko odgovarajućih servisnih centara će, prema vlastitom nahođenju, popraviti neispravan proizvod ili ga zamijeniti proizvodom iste ili jednake vrijednosti.

Što nije pokriveno jamstvom?

- Normalno nošenje
- Namjerno prouzročena šteta, šteta uzrokovana nepoštivanjem uputa za uporabu, neispravnom instalacijom ili spajanjem na pogrešan napon.

Oštećenja uzrokovana kemijskim ili elektrokemijskim reakcijama, hrđom, korozijom ili oštećenjem vodom, uključujući oštećenja uzrokovana prisutnošću prekomjernog kameca u vodovodnim cijevima. Štete uzrokovane atmosferskim i prirodnim događajima.

- Potrošni dijelovi, uključujući baterije i žarulje.
- Oštećenja nefunkcionalnih i ukrasnih dijelova koja ne utječu na normalno korištenje uređaja, uključujući ogrebotine i razlike u boji.
- Slučajna oštećenja uzrokovana stranim tijelima ili tvarima i oštećenja uzrokovana čišćenjem ili uklanjanjem prepreka iz filtera, odvodnih sustava ili ladica za deterdžent.
- Oštećenja sljedećih komponenti: keramičke ploče za kuhanje, pribora, košara za pribor za jelo i posuđe, dovodne i odvodne cijevi, brtve, žarulje i poklopci svjetiljki, rešetke, ručke, obloge i dijelovi obloge. Osim ako se može dokazati da je takva šteta uzrokovana greškama u proizvodnji.
- Slučajevi u kojima se tijekom posjeta tehničara ne otkriju funkcionalni nedostaci.
- Popravke ne obavlja naš ovlaštení servisni centar i/ili ovlaštení ugovorni servisni partner ili u slučaju korištenja neoriginalnih rezervnih dijelova.
- Popravci uzrokovani neispravnom ili neusklađenom instalacijom.
- Slučajevi nepravilne i/ili korištenja aparata izvan kućanstva, npr. profesionalnu upotrebu.
- Oštećenja u transportu. Ako kupac nosi proizvod na svoju kućnu ili drugu adresu, IKEA nije odgovorna za bilo kakvu štetu koja može nastati tijekom transporta. S druge strane, ako IKEA obavlja prijevoz proizvoda na adresu kupca, svako oštećenje proizvoda tijekom isporuke snosi IKEA.

- Troškovi vezani uz prvu ugradnju IKEA uređaja. Međutim, ako IKEA pružatelj usluga ili njegov ovlašteni partner popravi ili zamijeni uređaj prema uvjetima ovog jamstva, dobavljač ili ovlašteni partner će ponovno instalirati popravljenu uređaj ili instalirati zamjenski uređaj, ako je potrebno. Ova ograničenja ne vrijede za redovite intervencije koje provodi kvalificirano tehničko osoblje s originalnim rezervnim dijelovima radi prilagođavanja uređaja tehničkim sigurnosnim odredbama druge zemlje EU-a.

Primjena nacionalnih zakona

Kupac je vlasnik prava predviđenih Zakonom o pravima u zemlji EU-a i ovo jamstvo IKEA od 5 (pet) godina ne utječe na ta prava koja ispunjavaju ili proširuju minimalna zakonska prava svake zemlje u smislu jamstva. Međutim, ovi uvjeti ni na koji način ne ograničavaju prava potrošača definirana lokalnim zakonima.

Područje važenja

Za kućanske aparate kupljene u zemlji EU-a i donesene u drugu zemlju EU-a, usluge će se pružati pod uvjetima jamstva koji se primjenjuju u novoj zemlji. Obveza pružanja usluge pod uvjetima jamstva postoji samo ako je uređaj sukladan i instaliran prema:

- tehničkim specifikacijama zemlje u kojoj se zahtijeva primjena jamstva;
- sigurnosnim informacijama sadržanim u uputama za montažu i u korisničkom priručniku.

Posebna usluga POMOĆI za IKEA uređaje

Ne ustručavajte se kontaktirati ovlašteni servisni centar kojeg je imenovala IKEA da:

- zatražite tehničku pomoć tijekom jamstvenog roka
- zatražite informacije o radu IKEA uređaja.

Kako bismo Vam osigurali najbolju uslugu, pažljivo pročitajte upute za sastavljanje i/ili upute za uporabu proizvoda prije nego nas kontaktirate.

Kako nas kontaktirati ako trebate pomoć



Molimo kontaktirajte broj IKEA servisnog centra na posljednjoj stranici ovog priručnika.

i Kako bismo Vam jamčili bržu uslugu, predlažemo da koristite telefonske brojeve navedene u ovom priručniku. Uvijek pogledajte brojeve navedene u priručniku opreme za koju trebate pomoć. Predlažemo da uvijek imate na raspolaganju IKEA kod (8 znamenki) i 12-znamenkasti kod prikazan na naljepnici vašeg proizvoda.

i ČUVAJTE DOKUMENT O KUPNJI/ ISPORUCI!

Ovo je dokaz vaše kupnje i mora se predočiti kako bi jamstvo bilo važeće. Naziv i broj artikla IKEA (8 znamenki) za svaki kupljeni uređaj također su prikazani na računu.

Trebate li dodatnu pomoć?

Za sve informacije koje se ne odnose na pomoć, obratite se korisničkoj službi referentne IKEA trgovine. Prije nego što nas kontaktirate, pažljivo pročitajte tehničku dokumentaciju koja se odnosi na uređaj.

Bezbednosna uputstva

i Pre prve upotrebe

Radi vlastite bezbednosti i ispravnog rada uređaja, pažljivo pročitajte ovo uputstvo pre instalacije i puštanja u rad. Pažljivo pogledajte slike upozorenja na početku ovog uputstva. Za ispravnu i potpunu instalaciju pogledajte posebno uputstvo za instalaciju isporučeno sa proizvodom.

Ova uputstva uvek čuvajte zajedno sa uređajem, čak i u slučaju prodaje ili prenosa trećim licima. Važno je da korisnici znaju sve funkcije i bezbednosne karakteristike uređaja.


⚠Ovo je simbol opasnosti, koji se odnosi na bezbednost, koji upozorava na potencijalne rizike za korisnika i druge. Svim bezbednosnim porukama prethode simbol opasnosti i sledeći termini:

⚠ OPASNOST: označava opasnu situaciju koja će, ako se ne izbegne, dovesti do ozbiljnih povreda.

⚠ UPOZORENJE: označava opasnu situaciju koja, ako se ne izbegne, može dovesti do ozbiljnih povreda.

Sva bezbednosna upozorenja daju specifične detalje o mogućim opasnostima, kao i indikacije o tome kako smanjiti rizik od povreda, oštećenja i električnog udara koji nastaju usled nepravilne upotrebe uređaja. Pažljivo pratite sledeća uputstva.

- Proverite da uređaj nema oštećenja nastala prilikom transporta
- Uklonite kartonske štitnike, zaštitne folije i samolepljive nalepnice sa pribora.
- Instalaciju i električno povezivanje mora da izvrši kvalifikovani tehničar prema uputstvima proizvođača i u skladu sa lokalnim bezbednosnim propisima. Ne popravljajte ili menjajte bilo koji deo uređaja osim ako nije posebno preporučeno u uputstvu za upotrebu.
- Uređaj mora biti isključen iz napajanja pre bilo kojeg pokušaja ugradnje.

- **⚠ UPOZORENJE:** Ako ne instalirate zavrtnje ili pričvršćivače kako je opisano u ovim uputstvima, može doći do opasnosti od strujnog udara.
- Uzemljenje uređaja je obavezno po zakonu. (Nije moguće za aspiratore klase II identifikovane simbolom  na identifikacionoj pločici).
- Ne vucite kabl za napajanje uređaja da biste ga isključili iz utičnice.
- Posle završetka ugradnje, električni delovi ne smeju biti dostupni korisniku.
- Ne dodirujte uređaj mokrim delovima tela i nemojte ga koristiti bosih nogu.
- Ovaj uređaj mogu da koriste deca starija od 8 godina i osobe sa smanjenim fizičkim, senzornim ili mentalnim sposobnostima ili sa neadekvatnim iskustvom i znanjem samo ako ih nadgleda ili ako su dobili uputstva o bezbednoj upotrebi uređaja i razumeju uključene rizike. Deca treba da budu pod nadzorom kako bi se osiguralo da se ne igraju s uređajem. Čišćenje i redovno održavanje ne bi trebalo da obavljaju deca bez nadzora odrasle osobe.
- Sve ostale usluge održavanja mora da obavlja specijalizovani tehničar.
- Kada bušite zid, pazite da ne oštetite električne priključke i/ili cevi.
- Ventilacioni otvori uvek moraju biti izvedeni prema napolju.
- Proizvođač odbija svaku odgovornost za bilo kakvu štetu uzrokovanu nepravilnom upotrebom ili netačnim podešavanjima.
- Pravilno održavanje i čišćenje osiguravaju uspeh u radu i najbolje performanse uređaja. Redovno čistite svu tvrdokornu prljavštinu na površini kako biste izbegli nakupljanje masnoće. Redovno vadite i čistite ili menjajte filter. Da biste to uradili, sledite uputstva data u odeljku „Čišćenje i održavanje“.

- Ispod uređaja nemojte kuvati hranu na plamenu („flambe“). Upotreba otvorenog plamena može izazvati požar.
- Nepoštovanje uputstava za čišćenje haube i za zamenu i čišćenje filtera povlači opasnost od požara.
- Izlazni vazduh se ne sme ispuštati u kanal koji se koristi za odvođenje isparenja proizvedenih od uređaja koji sagorevaju gas ili druga goriva, već mora imati nezavisan izlaz.
- Moraju se poštovati svi nacionalni propisi koji se odnose na ispuštanje vazduha.
- Ako se aspirator koristi u kombinaciji sa drugim uređajima koji koriste gas ili druga goriva mora biti prisutna adekvatna ventilacija. Negativni pritisak prostorije ne sme biti veći od 4 Pa (4 x 10⁻⁵ bara). Iz tog razloga, uverite se da je prostorija dobro provetrena. Ako ste u nedoumici, obratite se ovlašćenom servisu ili kvalifikovanom stručnjaku.
- Dok pržite hranu ne ostavljajte tiganje na vatri bez nadzora, jer bi se ulje koje se koristi za prženje moglo zapaliti.
- Pre dodirivanja sijalica, uverite se da su hladne.
- Ne koristite ili ostavljajte aspirator bez pravilno postavljene sijalice, jer to može izazvati strujni udar.
- Aspirator nije potporna površina, tako da nemojte stavljati predmete na nju ili je preopteretiti.
- Za sve operacije instalacije i održavanja koristite odgovarajuće radne rukavice.
- Uređaj nije pogodan za upotrebu na otvorenom.

⚠ UPOZORENJE: kada se koristi ploča za kuvanje, dostupni delovi aspiratora se mogu pregrejeti.

⚠ UPOZORENJE: ovaj uređaj je težak; aspirator smeju da podižu i postavljaju samo dve ili više osoba. Minimalno rastojanje između ploče za kuvanje i donjeg dela aspiratora ne sme biti manje od 65 cm za ploče za kuvanje sa gasnim ili drugim gorionicima i 50 cm za električne ploče za kuvanje. Pre ugradnje takođe proverite minimalne udaljenosti navedene u uputstvu za ploču za kuvanje. Ako je u uputstvu za ugradnju ploče za kuvanje navedeno veće rastojanje, mora se poštovati to rastojanje.

Instalacija

Aspirator je dizajniran da se instalira i koristi u režimu "usisavanja" ili "recirkulacije".

Usisna verzija (pogledajte simbol  u uputstvima za instalaciju)

Para za kuvanje se usisava i prenosi van kuće kroz izduvnu cev (nije isporučena), povezana sa izlazom za paru na aspiratoru.

Uverite se da je izduvna cev pravilno montirana u otvor za vazduh sa odgovarajućim priključnim sistemom.

Važno: ako je već instaliran, uklonite ugljeni filter/e.

Verzija sa recirkulacijom vazduha (pogledajte simbol  u uputstvima za instalaciju)

Vazduh se filtrira kroz jedan ili više filtera, a zatim se vraća nazad u prostoriju.

Važno: uverite se da postoji odgovarajuća cirkulacija vazduha oko aspiratora.

Važno: ako se aspirator ne isporučuje sa ugljenim filterima, oni se moraju naručiti i sastaviti pre upotrebe uređaja. Filteri su dostupni u IKEA prodavnicama.

Aspirator mora biti postavljena dalje od posebno prljavih mesta, prozora, vrata i izvora toplote.


Pribor za pričvršćivanje na zid nije uključen jer zidovi od različitih materijala zahtevaju različite vrste pribora za pričvršćivanje. Koristite sisteme za pričvršćivanje koji odgovaraju zidovima vašeg doma i težini uređaja. Za više detalja, obratite se specijalizovanom prodavcu.

Sačuvajte ova uputstva za buduću upotrebu.


Saveti za očuvanje životne sredine

Materijal za pakovanje

Ambalaža se 100% može reciklirati i

označena je simbolom za reciklažu . Različiti delovi ambalaže se stoga ne smeju raspršiti u životnoj sredini, već odlagati u skladu sa pravilima koja su utvrdile lokalne vlasti.



Simbol  na proizvodu ili na dokumentima koji prate proizvod pokazuje da se ovaj proizvod ne može tretirati kao otpad u domaćinstvu, već treba da se dostavi odgovarajućem centru za sakupljanje i recikliranje električne i elektronske opreme.

Čišćenje i održavanje

UPOZORENJE

- Isključite aspirator iz napajanja
- Očistite površine vlažnom krpom. Ako su jako prljave, dodajte u vodu nekoliko kapi sapuna za pranje sudova. Obrišite suvom krpom.
- Nemojte koristiti pribor ili druge alate za čišćenje.
- Izbegavajte upotrebu čistača sa parnim mlazom

VAŽNO: nemojte koristiti korozivna ili abrazivna sredstva za čišćenje. Ako, slučajno, jedan od ovih proizvoda dođe u kontakt sa uređajem, odmah ga očistite vlažnom krpom.

Koristite posebne deterdžente za čišćenje uređaja i pratite uputstva proizvođača.

Nemojte koristiti abrazivne sunde, čeličnu vunu ili metalne strugače. Dugoročno, mogu oštetiti površinu

VAŽNO: očistite filtere za mast najmanje jednom mesečno da biste uklonili ostatke ulja ili masti.

Za pranje filtera za mast

Metalni filter za mast ima neograničen vek trajanja i mora se prati jednom mesečno ručno ili u mašini za pranje sudova na niskim temperaturama i na kratkom programu.

Filter za mast može malo da promeni boju kada se pere u mašini za pranje sudova, ali se njegove karakteristike filtriranja uopšte ne menjaju.

Održavanje filter sa aktivnim ugljenom.

Filter za mirise se mora prati i regenerisati svaka 3-4 meseca (ili češće ako je aspirator podlozan intenzivnoj upotrebi), do maksimalno 8 ciklusa regeneracije (u slučaju posebno intenzivne upotrebe, preporučuje se da se ne prekorači 5 ciklusa).

Postupak regeneracije

- Perite u mašini za pranje sudova na maksimalnoj temperaturi od 70 °C, ili ručno u vrućoj vodi bez upotrebe abrazivnih sunde (ne koristite deterdžente!)
- Sušite 2 sata u rerni na maksimalnoj temperaturi od 70 °C ili ostavite da se osuši na sobnoj temperaturi, stavljajući filter u vertikalni položaj da bi se olakšao protok vode.

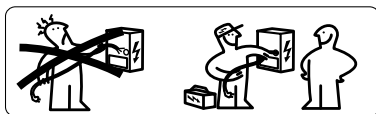
Održavanje lampica

Napa poseduje LED sistem osvetljenja.

LED lampice garantuju optimalno osvetljenje, deset puta uže od uobičajenih lampica i omogućavaju uštedu električne energije od 90%.

Za zamenu kontaktirajte ovlašteni centar za pomoć.

Električno priključivanje



⚠ UPOZORENJE: Sva električna povezivanja moraju biti izvedena od strane ovlašćenog instalatera. Proverite da li je napon naveden na pločici proizvoda isti kao napon mreže.

Ova informacija je naznačena u unutrašnjosti aspiratora, ispod filtera za mast.

⚠ UPOZORENJE: Ako je aspirator opremljen sa utikačem, priključite uređaj na utičnicu, u skladu sa važećim propisima, koja se nalazi na pristupačnom mestu.

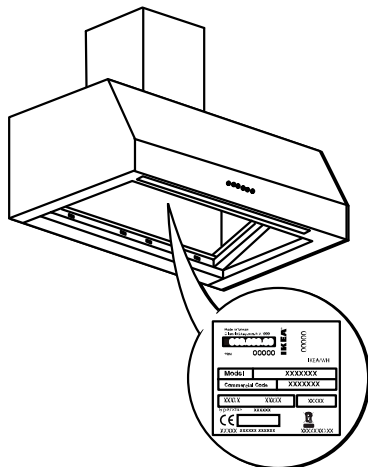
Aspirator je opremljen posebnim kablom za napajanje (tip H05 VV-F); u slučaju oštećenja zatražite od službe tehničke pomoći.

Ako nije opremljen sa utikačem (direktno priključivanje na mrežu), ili ako utičnica nije u pristupačnoj oblasti, instalirajte standardizovani bipolarni prekidač koji omogućava potpunu izolaciju od mreže u slučaju prenapona III. kategorije, u skladu sa važećim standardima.

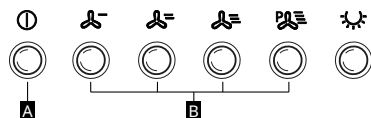
⚠ UPOZORENJE: Nemojte zavarivati kablove!

Pločica sa podacima

Tehnički podaci su prikazani na pločici koja se nalazi na unutrašnjoj strani uređaja



Komandna tabla



A Dugme za ISKLJUČIVANJE motora

B Dugme za UKLJUČIVANJE motora

IKEA GARANCIJA

Koliko dugo traje IKEA garancija?

Ova garancija važi 5 godine od datuma kupovine/ispоруke vašeg uređaja u IKEA prodavnici. Kao dokument koji dokazuje kupovinu potrebno je pokazati originalni račun. Bilo kakve servisne intervencije izvršene za vreme garancije neće produžiti njeno važenje.

Ko pruža uslugu?

Služba za korisnike koju je odabrala i ovlasila IKEA će pružati uslugu preko svoje mreže ovlašćenih servisnih partnera.

Šta pokriva ova garancija?

Garancija pokriva nedostatke uređaja uzrokovane greškama u proizvodnji (funkcionalni nedostatak), počevši od datuma kupovine/ispоруke uređaja. Ova garancija važi samo za kućnu upotrebu uređaja. Izuzeci su opisani pod „Šta nije pokriveno garancijom?“. Za vreme garantnog roka, troškove popravke (rezervnih delova, rada i putovanja tehničkog osoblja) snosi servisna služba, podrazumeva se da pristup opremi za popravku ne podrazumeva posebne troškove. Ovi uslovi su u skladu sa direktivama EU (br. 99/44/EZ) i lokalnim propisima. Zamenjene komponente postaju vlasništvo kompanije IKEA.

Kako će IKEA intervenirati da reši problem?

Služba a korisnike prodaje kojeg je IKEA odredila za izvršenje usluge će pregledati proizvod i odlučiti, po sopstvenom nahođenju, da li je pokriven garancijom. IKEA servisna služba ili njen ovlašćeni servisni partner preko odgovarajućih servisnih centara će, prema sopstvenom nahođenju, ili popraviti neispravan proizvod ili ga zameniti proizvodom iste ili jednake vrednosti.

Šta nije pokriveno garancijom?

- Normalno habanje
- Oštećenja izazvana namerno, šteta uzrokovana nepoštovanjem uputstva za upotrebu, pogrešnom instalacijom ili priključenjem na pogrešan napon.

Oštećenja izazvana hemijskim ili elektrohemijskim reakcijama, rđom, korozijom ili oštećenjem vodom, uključujući oštećenja uzrokovana prisustvom prekomernog kamenca u vodovodnim cevima. Oštećenja izazvana atmosferskim i prirodnim događajima.

- Potrošni delovi, uključujući baterije i sijalice.
- Oštećenja nefunkcionalnih i dekorativnih delova koji ne utiču na normalnu upotrebu uređaja, uključujući ogrebotine i razlike u boji.
- Slučajna oštećenja uzrokovana stranim telima ili supstancama i oštećenja uzrokovana čišćenjem ili uklanjanjem prepreka sa filtera, sistema za odvod vode ili fioka za deterđent.
- Oštećenja sledećih komponenti: keramičkih ploča za kuvanje, pribora, korpi za pribor za jelo i posuđe, dovodnih i odvodnih cevi, zaptivki, poklopacija sijalica i lampi, rešetki, dugmadi, obloga i delova obloga. Osim ako se može dokazati da je takva šteta nastala greškama u proizvodnji.
- Slučajevi u kojima se tokom posete tehničara ne otkriju funkcionalni nedostaci.
- Popravke ne vrše naš ovlašćeni servisni centar i/ili ovlašćeni ugovorni servisni partner ili u slučaju korišćenja neoriginalnih rezervnih delova.
- Popravke uzrokovane neispravnom ili neusaglašenom instalacijom.
- Slučajevi nepravilne i/ili upotrebe aparata van domaćinstva, npr. profesionalnu upotrebu.
- Oštećenja u transportu. Ako kupac transportuje proizvod na svoju kućnu ili drugu adresu, IKEA nije odgovorna za bilo kakvu štetu koja može nastati tokom transporta. S druge strane, ako IKEA izvrši transport proizvoda na adresu kupca, svako oštećenje proizvoda tokom isporuke biće pokriveno od strane IKEA.

- Troškovi početne instalacije IKEA uređaja, međutim, ako IKEA dobavljač usluga ili njegov ovlašćeni partner popravi ili zameni uređaj u skladu sa uslovima ove garancije, dobavljač ili ovlašćeni partner će ponovo instalirati popravljenu uređaj ili instalirati uređaj. , ako je potrebno Ova ograničenja ne važe za redovne intervencije koje sprovodi kvalifikovano tehničko osoblje sa originalnim rezervnim delovima da bi se uređaj prilagodio tehničkim bezbednosnim propisima druge zemlje EU.

Primena nacionalnih zakona

Kupac je vlasnik prava predviđenih Zakonskim dekretom br. 206/2005 i ova 5 (pet) godina IKEA garancije ne utiče na ova prava koja ispunjavaju ili proširuju minimalna zakonska prava svake zemlje u smislu garancije. oni ni na koji način ne ograničavaju prava potrošača definisana lokalnim zakonima.

Područje važenja

Za kućne aparate kupljene u zemlji članici EU i doneti u drugu zemlju EU, usluge će biti pružene pod uslovima garancije koji se primenjuju u novoj zemlji. Obaveza pružanja usluge pod uslovima garancije postoji samo ako je uređaj u skladu sa i instaliran prema:

- tehničke specifikacije zemlje u kojoj se zahteva primena garancije;
- bezbednosne informacije sadržane u uputstvu za montažu i u uputstvu za upotrebu.

Služba za korisnike posvećena IKEA uređajima

Ne oklevajte da kontaktirate ovlašćeni servisni centar koji je imenovala IKEA da:

- zatražite tehničku pomoć za vreme garantnog roka
- zatražite informacije o radu IKEA uređaja.

Da biste osigurali najbolju uslugu, pažljivo pročitajte uputstva za montažu i/ili uputstvo za upotrebu proizvoda pre nego što nas kontaktirate.

Kako da nas kontaktirate ako vam je potrebna pomoć



Molimo kontaktirajte broj IKEA servisnog centra na poslednjoj stranici ovog uputstva.

i **Kako bismo vam garantovali bržu uslugu, predlažemo da koristite telefonske brojeve navedene u ovom uputstvu. Uvek pogledajte brojeve navedene u uputstvu opreme za koju vam je potrebna pomoć. Predlažemo da uvek imate na raspolaganju IKEA kod (8 cifara) i 12-cifreni kod prikazan na etiketi vašeg proizvoda.**

i **ČUVAJTE DOKUMENT O KUPOVINI/ ISPORUCI!**

Ovo je dokaz vaše kupovine i mora se pokazati da bi garancija bila važeća. Naziv i broj IKEA artikla (8 cifara) za svaki kupljeni uređaj su takođe prikazani na računuu.

Da li vam treba dodatna pomoć?

Za sve informacije koje se ne odnose na pomoć, obratite se korisničkoj službi referentne IKEA prodavnice. Pažljivo pročitajte tehničku dokumentaciju koja se odnosi na uređaj pre nego što nas kontaktirate.

Navodila za varnost

i Pred prvo uporabo

Zaradi lastne varnosti in pravilnega delovanja naprave pred namestitvijo in zagonom natančno preberite ta navodila. Pozorno si oglejte opozorilne slike na začetku teh navodil. Za pravilno in popolno namestitev glejte specifičen priročnik za namestitev, ki je priložen izdelku.

Ta navodila vedno hranite skupaj z napravo, tudi v primeru prodaje ali prenosa tretjim osebam. Pomembno je, da uporabniki poznajo vse delovne in varnostne lastnosti naprave.


⚠ To je simbol nevarnosti, ki se nanaša na varnost in opozarja na morebitna tveganja za uporabnika in druge osebe. Pred vsemi varnostnimi sporočili se nahaja simbol nevarnosti in naslednji izrazi:

⚠ NEVARNOST: označuje nevarno stanje, ki bo, če se mu ne izognete, povzročilo resne poškodbe.

⚠ OPOZORILO: označuje nevarno stanje, ki bi lahko povzročilo resne poškodbe, če se mu ne izognete.

Vsa varnostna opozorila vsebujejo specifične podrobnosti o možni prisotnosti nevarnosti, kot tudi navedbe, kako zmanjšati tveganje za poškodbe, škodo in električni udar, ki je posledica nepravilne uporabe aparata. Natančno upoštevajte naslednja navodila.

- Preverite, da se naprava med prevozom ni poškodovala
- S pripomočkov odstranite kartonska varovala, zaščitne folije in nalepke.
- Namestitev in električno povezavo mora opraviti usposobljen tehnik v skladu z navodili proizvajalca in skladno z lokalnimi varnostnimi predpisi. Ne popravljajte ali zamenjajte nobenega dela naprave, razen če je to posebej priporočeno v uporabniškem priročniku.
- Pred vsakim postopkom montaže morate aparat izključiti iz električnega omrežja.

- **⚠ OPOZORILO:** če vijakov ali pritrdilnih elementov ne namestite, kot je opisano v teh navodilih, je to lahko vzrok za nevarnost električnega toka.
- Ozemljitev aparata je po zakonu obvezna. (To ni mogoče pri napah razreda II, označenih s simbolom  na identifikacijski tablici).
- Za izklop iz omrežne vtičnice ne vlecite za napajalni kabel aparata.
- Ko je namestitev končana, električne komponente ne smejo biti dostopne uporabniku.
- Ne dotikajte se aparata z mokrimi deli telesa in ga ne uporabljajte z bosimi nogami.
- Ta aparat lahko uporabljajo otroci, starejši od 8 let, in osebe z zmanjšanimi fizičnimi, senzoričnimi ali duševnimi sposobnostmi ali z nezadostnimi izkušnjami in znanjem le, če so pod nadzorom ali če so prejeli navodila za varno uporabo aparata in razumejo s tem povezana tveganja. Otroke je potrebno nadzorovati in zagotoviti, da se z aparatom ne igrajo. Čiščenja in rednega vzdrževanja ne smejo opravljati otroci brez nadzora odrasle osebe.
- Vse ostale storitve vzdrževanja mora opraviti specializiran tehnik.
- Pri vrtnanju v steno pazite, da ne poškodujete električnih povezav in/ali cevi.
- Prezračevalne odprtine morajo vedno voditi na prosto.
- Proizvajalec zavrača vso odgovornost za kakršno koli škodo, ki bi nastala zaradi nepravilne uporabe ali nepravilnih nastavitvev.
- Pravilno vzdrževanje in čiščenje zagotavljata uspešnost dela in najboljšo zmogljivost delovanja aparata. Redno čistite vso trdovratno umazanijo na površini, da preprečite kopičenje maščobe. Redno odstranjujte in čistite

ali zamenjajte filter. Za ta namen sledite navodilom v razdelku "Čiščenje in vzdrževanje".

- Ne kuhajte hrane z ognjem ("flambé") pod aparatom. Uporaba odprtega ognja lahko povzroči požar.
- Neupoštevanje navodil za čiščenje nape ter za zamenjavo in čiščenje filtrov pomeni nevarnost požara.
- Odsesani zrak se ne sme odvajati v kanal, ki se uporablja za odvajanje dimnih plinov, ki nastanejo pri napravah z zgorevanjem plina ali drugih goriv, ampak mora imeti ločen odvod.
- Upoštevati je treba vse nacionalne predpise v zvezi z izpustom zraka v okolje.
- Če se napa uporablja skupaj z drugimi napravami, ki uporabljajo plin ali druga goriva, mora biti prisotno ustrezno prezračevanje. Podtlak prostora ne sme presegati 4 Pa (4 x 10⁻⁵ barov). Iz tega razloga poskrbite, da je prostor dobro prezračevan. Če ste v dvomih, se obrnite na pooblaščen servisni center ali usposobljenega strokovnjaka.
- Med cvrtjem hrane ne puščajte ponve na ognju brez nadzora, saj se lahko olje, uporabljeno za cvrtje, vname.

- Preden se dotaknete svetilk, se prepričajte, da so ohlajene.
- Nape ne uporabljajte brez pravilno nameščenih sijalk, ker bi to lahko bil vzrok za električni udar.
- Napa ni podporna površina, zato nanjo ne odlagajte predmetov in je ne preobremenjujte.
- Pri vseh postopkih montaže in vzdrževanja nosite ustrezne delovne rokavice.
- Aparat ni primeren za uporabo na prostem.

⚠ OPOZORILO: med delovanjem kuhališča se dostopni deli nape lahko segrejejo.

⚠ OPOZORILO: ta naprava je težka; napa sme dvigovati in montirati samo dve ali več oseb. Najmanjša razdalja med kuhhalno ploščo in spodnjim delom nape ne sme biti manjša od 65 cm za kuhhalne plošče s plinskimi ali drugimi gorilniki, in 50 cm za električne kuhhalne plošče. Pred montažo preverite tudi minimalne razdalje, navedene v navodilih za kuhhalno ploščo. Če je v navodilih za montažo kuhhalne plošče navedena večja razdalja, je treba to razdaljo upoštevati.

Montaža

Napa je zasnovana za montažo in uporabo v načinu "sesanje" ali "kroženje".

Sesalna različica (glejte simbol  v navodilih za montažo)

Kuhhalna para se vsesa in vodi izven stanovanja skozi odvodno cev (ni priložena), ki je povezana z izhodom pare nape.

Prepričajte se, da je odvodna cev pravilno nameščena na izhodu zraka z ustreznim priključnim sistemom.

Pomembno: če je že nameščen, ogleni filter odstranite.

Različica s kroženjem zraka

(glejte simbol  v navodilih za montažo)

Zrak se filtrira skozi enega ali več filtrov in se nato vodi nazaj v prostor.

Pomembno: poskrbite za pravilno kroženje zraka okrog nape.

Pomembno: če napa ni opremljena z oglenimi filtri, jih je treba pred uporabo aparata naročiti in namestiti. Filtri so na voljo v trgovinah IKEA.


Napa je treba montirati stran od posebej umazanih območij, oken, vrat in virov toplote.

Dodatki za pritrditev na steno niso priloženi, ker stene iz različnih materialov zahtevajo različne vrste pritrdilnih dodatkov. Uporabite pritrdilne sisteme, ki so primerni za stene vašega doma in težo aparata. Za več podrobnosti se obrnite na specializiranega prodajalca.


Shranite ta navodila za nadaljnjo uporabo.

Nasveti za varovanje okolja

Emblažni material

Emblaža je mogoče 100 % reciklirati in je označena s simbolom recikliranja . Različne dele emblaže se zato ne sme zavreči v okolje, ampak jih je treba odstraniti v skladu s pravili, ki jih določajo lokalne oblasti.



Simbol  na izdelku ali v spremljajoči dokumentaciji kaže, da tega izdelka ne smemo obravnavati kot gospodinjstvi odpadki, ampak ga je treba dostaviti v ustrezno zbiralno mesto za recikliranje električne in elektronske opreme.

Čiščenje in vzdrževanje

OPOZORILO

- Napo odklopite iz električnega napajanja
- Površine očistite z vlažno krpo. Če so zelo umazane, v vodo dodajte nekaj kapljic detergenta za pomivanje posode. Osušite s suho krpo.
- Za čiščenje ne uporabljajte orodij ali drugih instrumentov.
- Ne uporabljajte parnih čistilnikov

POMEMBNO: ne uporabljajte jedkih ali abrazivnih čistil. Če bi kateri od teh izdelkov nehote prišel v stik z napravo, jo takoj očistite z vlažno krpo.

Za čiščenje aparata uporabite specifične detergente in sledite navodilom proizvajalca.

Ne uporabljajte abrazivnih gob, jeklene volne ali kovinskih strgal. Na dolgi rok lahko poškodujejo površino

POMEMBNO: maščobne filtre očistite vsaj enkrat na mesečno, da odstranite ostanke olja ali maščobe.

Pranje maščobnega filtra

Trajnost kovinskega maščobnega filtra je neomejena in ga je treba enkrat mesečno oprati ročno ali v pomivalnem stroju pri nizkih temperaturah in s kratkim programom.

Pri pomivanju v pomivalnem stroju se maščobni filter lahko rahlo razbarva, vendar se njegove filtrirne lastnosti sploh ne spremenijo.

Vzdrževanje oglenega filtra.

Filter za vonjave je treba oprati in regenerirati vsake 3-4 mesece (ali pogosteje, če je napa izpostavljena intenzivni uporabi), do največ 8 ciklov regeneracije (pri posebej intenzivni uporabi je priporočljivo, da ne prekoračite 5 ciklov).

Postopek regeneracije

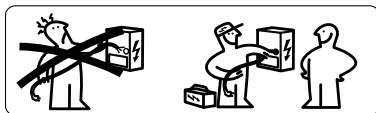
- Operite ga v pomivalnem stroju pri najvišji temperaturi 70 °C ali ročno v vroči vodi brez uporabe abrazivnih gob (ne uporabljajte detergentov!)
- Osušite ga v pečici pri najvišji temperaturi 70 °C 2 uri ali pustite, da se posuši pri sobni temperaturi, tako da filter postavite v navpični položaj, da olajšate odvajanje vode.

Vzdrževanje sijalk

Napa je opremljena s sistemom razsvetljave z led sijalkami.

LED sijalke zagotavljajo optimalno osvetlitev, njihova trajnost je 10-krat večja od tradicionalnih žarnic in omogočajo prihranek električne energije v višini 90%. Za zamenjavo se obrnite na pooblaščen servisni center.

Električna povezava



⚠ OPOZORILO: Vse električne povezave mora izdelati pooblaščen monter. Preverite, ali je napetost, navedena na tablici izdelka, enaka napetosti omrežja. Ti podatki so navedeni znotraj nape, pod maščobnim filtrom.

⚠ OPOZORILO: Če je napa opremljena z vtičem, priključite aparat v vtičnico, ki je skladna z veljavnimi predpisi in se nahaja na dostopnem območju. Napa je opremljena s posebnim napajalnim

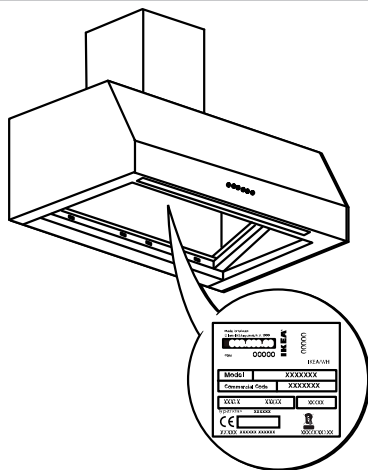
kablom (tipa H05 VV-F); v primeru poškodbe, zahtevajte novega v servisni službi za tehnično pomoč.

Če ni opremljena z vtičem (neposredno ožičenje na električno omrežje) ali če vtičnica ni na dostopnem območju, namestite standardizirano bipolarno stikalo, ki omogoča popolno ločitev od omrežja v primeru prenapetosti kategorije III, v skladu s predpisi za napeljave.

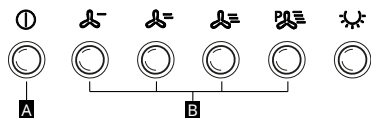
⚠ OPOZORILO: Ne varite na kablilih!

Tablica s podatki

Tehnični podatki so navedeni na tablici, ki se nahaja na notranji strani naprave



Plošča za upravljanje



A Tipka IZKLOP motorja

B Tipka VKLOP motorja

GARANCIJA IKEA

Kako dolgo velja garancija IKEA?

Ta garancija velja 5 leti od datuma nakupa/dobave vašega gospodinjskega aparata v trgovini IKEA. Kot dokazilo o nakupu je treba predložiti originalni račun. Morebitni servisni posegi, izvedeni v času garancije, ne podaljšajo njene veljavnosti.

Kdo nudi storitev?

Storitev pomoči, ki jo izbere in pooblasti IKEA, bo storitev zagotavljala prek svoje mreže pooblaščenih servisnih partnerjev.

Kaj krije ta garancija?

Garancija krije napake na gospodinjskem aparatu, ki nastanejo zaradi proizvodnih napak (funkcionalna napaka), in sicer od dneva nakupa/dobave aparata. Ta garancija velja samo za domačo uporabo. Izjeme so opisane v razdelku "Česa ne krije garancija?". V garancijskem roku stroške popravil

(nadomestne dele, delo in potovanje tehničnega osebja) krije

servisna služba, pri čemer se razume, da dostop do opreme za popravilo ne predstavlja dodatnih stroškov. Ti pogoji so skladni z direktivami EU (št. 99/44 / ES) in lokalnimi predpisi. Zamenjane komponente postanejo last IKEA.

Kako bo IKEA posredovala pri reševanju težave?

Servisni center, ki ga IKEA zadolži za izvedbo storitve, bo izdelek pregledal in po lastni presoji odločil, ali je zanj veljavna garancija. Servisna služba IKEA ali njen pooblaščen servisni partner prek ustreznih servisnih centrov bo, na podlagi lastne presoje, popravil pomanjkljiv izdelek ali ga zamenjal z enakim izdelkom ali enake vrednosti.

Česa ne krije garancija?

- Normalne obrabe
- Namerno povzročene škode, škode zaradi neupoštevanja navodil za uporabo, nepravilne montaže ali priključitve na napačno napetost. Škode, nastale zaradi kemičnih ali elektrokemijskih reakcij, rje, korozije ali

poškodb zaradi vode, vključno s poškodbami zaradi prisotnosti prekomernega vodnega kamna v vodovodnih ceveh. Škode, povzročene zaradi atmosferskih in naravnih dogodkov.

- Potrošne dele, vključno z baterijami in sijalkami.
- Poškodbe nefunkcionalnih in okrasnih delov, ki ne vplivajo na normalno uporabo aparata, vključno s praskami in barvnimi razlikami.
- Nenamerne poškodbe, ki jih povzročijo tujki ali snovi in poškodbe, ki nastanejo zaradi čiščenja ali odstranjevanja ovir iz filtrov, odtočnih sistemov ali predalov za detergente.
- Poškodbe naslednjih sestavnih delov: keramične kuhalne plošče, pribora, košare za jedilni pribor in posodo, dovodne in odtočne cevi, tesnila, žarnice in pokrovi žarnic, rešetke, gumbi, obloga in deli obloge. Razen če je mogoče dokazati, da so takšne poškodbe povzročile napake v izdelavi.
- Primerov, ko ob obisku tehnika niso odkrite funkcionalne napake.
- Popravila, ki jih ne opravi naš pooblaščen servisni center in/ali pooblaščen pogodbeni servisni partner ali v primeru uporabe neoriginalnih nadomestnih delov.
- Popravila, katerih vzrok je nepravilna ali neskladna montaža.
- Primeri nepravilne in/ali uporabe aparata, ki ni v gospodinjstvu, npr. profesionalna uporaba.
- Poškodbe pri transportu. Če kupec prinese izdelek na svoj dom ali drug naslov, IKEA ni odgovorna za škodo, ki bi lahko nastala med prevozom. Po drugi strani pa, če IKEA opravi prevoz izdelka na naslov stranke, bo morebitno škodo na izdelku med dostavo krila IKEA.
- Stroški za začetno namestitev gospodinjskega aparata IKEA. Če pa ponudnik storitev IKEA ali njegov

pooblaščen partner popravi ali zamenja aparat v skladu s pogoji te garancije, bo dobavitelj ali pooblaščen partner ponovno namestil popravljeno napravo ali namestil nadomestni aparat, če je potrebno. Te omejitve ne veljajo za redne posege, ki jih izvaja usposobljeno tehnično osebje z originalnimi nadomestnimi deli za prilagoditev aparata tehničnim in varnostnim predpisom druge države EU.

Uveljavitev nacionalne zakonodaje

Stranka je lastnik pravic, predvidenih z zakonodajno uredbo št. 206/2005 in ta 5 (pet) letna garancija IKEA ne vpliva na te pravice, ki izpolnjujejo ali razširjajo minimalne zakonske pravice vsake države v smislu garancije. Ti pogoji v nobenem primeru ne omejujejo pravic potrošnika, kot jih določa lokalna zakonodaja.

Območje veljavnosti

Za gospodinjske aparate, kupljene v državi EU in pripeljane v drugo državo EU, bodo storitve opravljene v skladu z garancijskimi pogoji, ki veljajo v novi državi. Obveznost zagotavljanja storitve pod pogoji garancije obstaja le, če je aparat skladen in je nameščen v skladu z:

- tehničnimi specifikacijami države, v kateri se zahteva uporaba garancije;
- varnostnimi informacijami v navodilih za montažo in v uporabniškem priročniku.

Storitev PODPORE, namenjene za aparate IKEA

Ne oklevajte in se obrnite na pooblaščen servisni center, ki ga navede IKEA, za:

- zahteve tehnične podpore v garancijski dobi
- zahteve za informacije o delovanju naprav IKEA.

Da si zagotovite najboljšo storitev, prosimo, da natančno preberete navodila za montažo in/ali priročnik za uporabo izdelka, preden nas kontaktirate.

Kako nas kontaktirati, ko potrebujete pomoč



Prosimo, da se obrnete na številko servisnega centra IKEA na zadnji strani tega priročnika.

i Da bi vam zagotovili čim hitrejšo storitev, vam priporočamo, da uporabite telefonske številke, navedene v tem priročniku. Vedno uporabite številke, ki so navedene v navodilih za aparat, za katerega potrebujete pomoč. Priporočamo, da imate vedno na voljo kodo IKEA (8-mestno) in 12-mestno kodo, navedeno na etiketi vašega izdelka.

i HRANITE DOKUMENT O NAKUPU/ DOBAVI!

To je dokaz o vašem nakupu in ga morate predložiti za uveljavitev garancije. Na računu sta navedena tudi naziv in koda artikla IKEA (8-mestna) za vsak kupljeni aparat.

Potrebujete več pomoči?

Za vse informacije, ki se ne nanašajo na pomoč, se obrnite na službo za stranke referenčne trgovine IKEA. Preden se obrnete na nas, pozorno preberite tehnično dokumentacijo gospodinjskega aparata.

Saugos instrukcijos

i Prieš naudojant pirmą kartą

Kad užtikrintumėte savo saugumą ir prietaisas tinkamai veiktų, prieš montuojant ir paleidžiant veikti, prašome atidžiai perskaityti šį vadovą. Atidžiai perskaitykite šio vadovo pradžioje pateiktus įspėjamuosius paveikslėlius. Norėdami tinkamai ir pilnai sumontuoti, vadovaukitės kartu su gaminiu tiekiamu specialiu montavimo vadovu.

Visada laikykite šias instrukcijas kartu su prietaisu net tada, jei perduodate arba perleidžiate kitiems asmenims. Svarbu, kad naudotojai išmanytų visas prietaiso veikimo ir apsaugines savybes.

! Šis su sauga susijęs pavojaus simbolis įspėja apie naudotojui arba kitiems asmenims galinčią kilti riziką.

Prieš visus su sauga susijusius simbolius bus rodomas pavojaus simbolis ir šie terminai:


! **PAVOJUS:** nurodo pavojingą situaciją, kurios neišvengus, ji pasibaigia rimtais sužalojimais.

! **ĮSPĖJIMAS:** nurodo pavojingą situaciją, kurios neišvengus, ji gali pasibaigti rimtais sužalojimais.

Visi saugos įspėjimai pateikia konkrečių duomenų apie galintį kilti pavojų, o taip pat nurodymus, kaip sumažinti sužalojimų, žalos, nutrenkimo elektra riziką, kylančią dėl netinkamo prietaiso naudojimo. Atidžiai vadovaukitės sekančiomis instrukcijomis.


- Patikrinkite, ar prietaisui nebuvo padaryta žalos gabenant
- Nuo priedų nuimkite kartoninius apsaugus, apsauginę plėvelę ir lipniais etiketes.
- Sumontuoti ir elektrą prijungti privalo kvalifikuotas technikas, vadovaudamasis gamintojo instrukcijomis ir pagal vietinius saugos standartus. Netaisykite ir nekeiskite


jokios prietaiso dalies, jei tai nėra specialiai rekomenduojama naudojimo vadove.

- Prietaisas turi būti atjungtas nuo elektros tinklo prieš pradėdant bet kokius montavimo veiksmus.
- **!** **ĮSPĖJIMAS:** jei nesumontuosite varžtų arba tvirtinimo elementų, kaip numatyta šiose instrukcijose, gali kilti elektros pavojų.
- Pagal įstatymus, prietaisą privaloma įžeminti. (To neįmanoma padaryti II klasės gartraukiuose, kurių serijos plokštelėje nurodytas simbolis ).
- Netraukite prietaiso maitinimo laido, kad ištrauktumėte jį iš elektros lizdo.
- Baigus montavimą, elektros dalys neturi būti pasiekiamos naudotojui.
- Nelieskite prietaiso drėgnomis kūno dalimis ir nenaudokite plikomis kojomis.
- Šį prietaisą gali naudoti vyresni nei 8 metų vaikai ir asmenys, turintys fizinę, jutiminę arba psichinę negalią arba neturintys pakankamai patirties ir žinių, su sąlyga, jei yra prižiūrimi ir gavo instrukcijų, kaip saugiai naudoti prietaisą ir supranta kylančią riziką. Reikia prižiūrėti vaikus, kad jie nežaistų su prietaisu. Valymo ir profilaktinės priežiūros darbų negali atlikti vaikai bei suaugusiojo priežiūros.
- Visos kitos priežiūros paslaugos turi būti atliekamos specializuoto techniko.
- Kai gręžiate sieną, stenkitės nesugadinti elektros jungčių ir (arba) vamzdžių.
- Ventilacijos angos visada turi būti išvestos į lauką.
- Gamintojas neprisiima jokios atsakomybės už žalą, padarytą dėl netinkamo naudojimo arba klaidingų nustatymų.
- Tinkama priežiūra ir valymas užtikrina tinkamą darbą ir geriausias prietaiso eksploatacines savybes. Reguliariai nuo paviršiaus nuvalykite visus įsisenėjusius nešvarumus, kad išvengtumėte riebalų

- sankaupų. Reguliariai išimkite ir nuvalykite arba pakeiskite filtrą. Norėdami tai padaryt, vadovaukitės skyriuje „Valymas ir priežiūra“ pateiktomis instrukcijomis.
- Nevirkite maisto ant atviros liepsnos po prietaisu. Naudojant atvirą liepsną, gali kilti gaisras.
 - Jei nesilaikysite gartraukio valymo ir filtrų keitimo bei valymo instrukcijų, gali kilti gaisro rizika.
 - Išleidžiamo oro negalima išleisti į vamzdį, naudojamą degimo dujomis arba kitu kuru maitinamų prietaisų sugeneruotiems dūmams šalinti: jam turi būti įrengtas atskiras išėjimas.
 - Turi būti laikomasi visų su oro išleidimu susijusių nacionalinių teisės aktų.
 - Jei gartraukis naudojamas kartu su kitais prietaisais, naudojančiais dujas arba kitą kurą, turi būti įrengta tinkama ventilacija. Neigiamas patalpų slėgis neturi viršyti 4 Pa (4 x 10⁻⁵ bar). Dėl šios priežasties įsitikinkite, kad patalpos yra gerai vėdinamos. Kilus abejonėms, kreipkitės į įgaliotą aptarnavimo centrą arba į kvalifikuotą profesionalą.
 - Nepalikite keptuvių ant ugnies be priežiūros viso maisto kepimo metu, nes kepimui naudotas aliejus gali užsidegti.

- Prieš liesdami lemputes įsitikinkite, kad yra šaltos.
- Nenaudokite arba nepalikite gartraukio be tinkamai sumontuotos lemputės, nes šitaip gali nutrenkti elektra.
- Gatraukis nėra atraminis pagrindas, todėl nedėkite ant jo daiktų ir jo neperkraudkite.
- Visų montavimo ir priežiūros darbų metu mūvėkite tinkamas darbinės pirštines.
- Prietaisas nėra tinkamas naudoti lauke.

 **ĮSPĖJIMAS:** kai kaitlentė veikia, gartraukio pasiekiamos dalys gali įkaisti.

 **ĮSPĖJIMAS:** šis prietaisas yra sunkus; gartraukis turi būti keliamas ir montuojamas tik dviejų ar daugiau žmonių. Minimalus atstumas tarp kaitlentės ir apatinės gartraukio dalies neturi būti mažesnis 65 cm kaitlentėms su dujiniais arba kito kuro degikliais ir 50 cm elektrinėms krosnelėms. Prieš montuodami taip pat patikrinkite kaitlentės vadove nurodytus minimalius atstumus. Jei kaitlentės montavimo instrukcijose yra nurodytas didesnis atstumas, reikia laikytis šio atstumo.

Montavimas

Gartraukis yra suprojektuotas montuoti ir naudoti „siurbimo“ arba „recirkuliacijos“ režimu.

Siurbimo versija (žr. simbolį montavimo instrukcijose)

Maisto ruošimui naudoti garai siurbiami ir tiekiami už patalpos per išleidimo vamzdį (netiekiamas), prijungtą prie gartraukio garų išėjimo.

Įsitikinkite, kad išleidimo vamzdis yra tinkamai sumontuotas oro išėjime su tinkama prijungimo sistema.

Svarbu: jei jau sumontuotas (-i), išimkite anglies filtrą (-us).

Oro cirkuliacijos versija

(žr. simbolį montavimo instrukcijose)

Oras filtruojamas vienu ar daugiau filtrų ir po to iš naujo tiekiamas į patalpą.

Svarbu: įsitikinkite, kad aplink gartraukį yra tinkama cirkuliacija.

Svarbu: jei gartraukis neturi anglies filtrų, juos reikia užsisakyti ir sumontuoti prieš naudojant prietaisą. Filtrus galima įsigyti „IKEA“ parduotuvėse.

Gartraukis turi būti montuojamas toli nuo ypač nešvarių vietų, langų, durų ir šilumos šaltinių.


Tvirtinimo prie sienos priedai nėra pridėti, nes kitokių medžiagų sienoms reikalingi skirtingų rūšių tvirtinimo priedai.

Naudokite savo namų sienoms ir elektrinio buitinio prietaiso svoriui pritaikytas tvirtinimo sistemas. Norėdami daugiau informacijos, kreipkitės į specializuotą pardavimo atstovą.


Išsaugokite šias instrukcijas, kad galėtumėte peržiūrėti ateityje.

Patarimai, kaip apsaugoti aplinką

Pakavimo medžiaga

Pakuotė yra 100 % perdirbama ir yra pažymėta perdirbimo simboliu . Skirtingos pakuotės dalys neturi būti išmetamos į aplinką, o šalinamos pagal vietinių institucijų nustatytas taisykles.



Šis simbolis  ant gaminio ar pridėtos dokumentacijos nurodo, kad šis gaminys negali būti išmetamas kartu su buitinėmis atliekomis ir turi būti pristatytas į atitinkamą perdirbimo punktą, skirtą elektros ir elektroninės įrangos perdirbimui.

Valymas ir priežiūra

ĮSPĖJIMAS

- Atjunkite gartraukį nuo elektros maitinimo
- Nuvalykite paviršius drėgna šluoste. Jei labai nešvarūs, į vandenį įpilkite kelis lašus indų ploviklio. Nusausinkite sausa šluoste.
- Valymui nenaudokite įrankių arba kitų prietaisų.
- Nenaudokite aukšto slėgio plovimo įrenginių

SVARBU: nenaudokite korozinių arba braižančių ploviklių. Jei netikėtai vienas iš šių produktų susilies su prietaisu, nedelsdami nuvalykite jį drėgna šluoste. Naudokite specialiai prietaiso valymui skirtus ploviklius ir vadovaukitės gamintojo instrukcijomis.

Nenaudokite braižančių kempinių, šveitiklių arba metalinių grandiklių. Per ilgą laiką jie gali sugadinti paviršius

SVARBU: riebalų filtrus valykite bet kartą per mėnesį, kad pašalintumėte alyvos arba tepalo likučius.

Riebalų filtro plovimas

Metalinis riebalų filtras gali būti naudojamas neribotą laiką ir turi būti kartą per mėnesį išplaunamas rankomis arba indaplovėje žemoje temperatūroje arba su trumpa programa.

Plauant indaplovėje, riebalų filtras gali nežymiai išblukti, bet jo filtravimo savybės visiškai nepasikeičia.

Anglies filtro priežiūra.

Kvapų filtras turi būti plaunamas ir regeneruojamas kas 3–4 mėnesius (arba dažniau, jei gartraukis naudojamas intensyviai) iki daugiausiai 8 regeneracijos ciklus (jei naudojama ypač intensyviai, rekomenduojama neviršyti 5 ciklų).

Regeneracijos procedūra

- Plaukite indaplovėje daugiausiai 70 °C temperatūroje arba rankomis karštame vandenyje, nenaudodami braižančių kempinių (nenaudokite ploviklių!)
- Džiovinkite orkaitėje daugiausiai 70 °C temperatūroje 2 valandas arba palikite išdžiūti aplinkos temperatūroje, padėdami filtrą vertikaliaje padėtyje, kad būtų lengviau išleisti vandenį.

Lempučių priežiūra

Gartraukis turi apšvietimo sistemą su šviesos diodais.

Šviesos diodai garantuoja optimalų apšvietimą, kuris veikia iki 10 kartų ilgiau, nei įprastos lempučių bei leidžia sutaupyti 90 % elektros energijos.

Norėdami pakeisti, kreipkitės į įgaliotą aptarnavimo centrą.

Elektros jungtis



⚠️ ĮSPĖJIMAS: Visos elektros jungtys turi būti įrengtos įgalioto montuotojo. Patikrinkite, ar gaminio plokštelėje nurodyta įtampa yra tokia pati, kaip ir elektros tinklo.

Ši informacija yra nurodyta gartraukio viduje, po riebalų filtru.

⚠️ ĮSPĖJIMAS: Jei gartraukis turi kištuką, prijunkite prietaisą prie lizdo, atitinkančio taikomus standartus, įrengto pasiekiamoje zonoje. Gartraukis turi specialų maitinimo

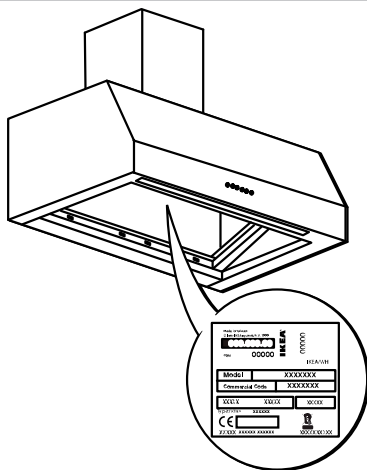
laidą (H05 VV-F tipo); jei buvo pažeistas, paprašykite jo iš techninio aptarnavimo tarnybos.

Jei nėra kištuko (tiesioginis prijungimas prie elektros lizdo) arba jei lizdas yra nepasiekiamoje vietoje, sumontuokite normalizuotą dvipolį jungiklį, kuris leistų visiškai izoliuoti tinklą III kategorijos viršįtampio atveju, pagal laidų sujungimo standartus.

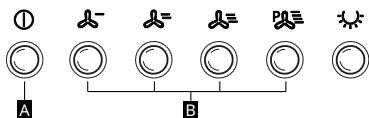
⚠️ ĮSPĖJIMAS: Nevirkinkite laidų!

Duomenų plokštelė

Techniniai duomenys yra pateikti prie prietaiso vidinės pusės pritvirtintoje plokštelėje



Valdymo skydelis



A Variklio IŠJ. klavišas

B Variklio ĮJ. klavišas

„IKEA“ GARANTIJA

Kiek galioja „IKEA“ garantija?

Ši garantija galioja 5 metus nuo jūsų elektrinio buitinio prietaiso įsigijimo / pristatymo iš „IKEA“ parduotuvės dienos. Reikia parodyti originalų pirkimo kvitą kaip pirkimą įrodantį dokumentą. Bet kokie garantiniu laikotarpiu atlikti aptarnavimo darbai neprailgins garantijos galiojimo.

Kas teikia paslaugą?

„IKEA“ pasirinkta ir įgaliotas aptarnavimo tarnyba suteiks paslaugą per savo įgaliotų aptarnavimo partnerių tinklą.

Kam taikoma ši garantija?

Garantija taikoma elektrinio buitinio prietaiso defektams, padarytiems dėl gamybos broko (funkcinio defekto), skaičiuojant nuo elektrinio buitinio prietaiso įsigijimo / pristatymo datos. Ši garantija taikoma tik buitiniams naudojimui. Išimties yra aprašytos skirsnyje „Kam netaikoma ši garantija?“. Garantijos galiojimo laikotarpiu remonto išlaidos (atsarginės dalys, rankų darbas ir techninio personalo kelionės) bus padengtos aptarnavimo tarnybos, su sąlyga, jei prieiga prie įrangos atliekant remonto darbus nesukelia specialių išlaidų. Šios sąlygos atitinka ES direktyvas (Nr. 99/44/EB) ir vietinius standartus. Pakeisti komponentai tampa „IKEA“ nuosavybe.

Kokius veiksmus „IKEA“ atliks, kad išspręstų problemą?

„IKEA“ įgaliota aptarnavimo tarnyba atlikdama aptarnavimo darbus patikrins produktą ir savo išskirtine nuožiūra įvertins, ar jam gali būti taikoma garantija.

„IKEA“ aptarnavimo tarnyba arba jos įgaliotas aptarnavimo partneris, pasitelkdamas aptarnavimo centrus, savo paties nuožiūra pataisys brokuotą produktą arba pakeis vienodu arba lygiaverčiu produktu.

Kam garantija netaikoma?

- Įprastas nusidėvėjimas
- Specialiai padaryta žala, žala, padaryta todėl, kad nebuvo laikomasi veikimo instrukcijų, buvo netinkamai

sumontuota arba buvo prijungta prie klaidingos įtampos. Žala, padaryta dėl cheminių arba elektrocheminių reakcijų, rūdžių, korozijos arba žalos, padarytos dėl vandens, įskaitant žalą dėl per didelio kalkių kiekio vandens vamzdžiuose. Žala, padaryta dėl atmosferos ir gamtinių reiškinių.

- Susidėvinčios dalys, įskaitant akumuliatorius ir lemputes.
- Žala nefunkcinėms ir dekoracinėms dalims, kurios neturi įtakos normaliam elektrinio buitinio prietaiso naudojimui, įskaitant įbrėžimus ir spalvos pokyčius.
- Atsitiktinė žala, padaryta dėl pašalinių objektų arba medžiagų ir žala dėl filtrų, išleidimo sistemų arba ploviklio stalčių valymo arba kamščių pašalinimo.
- Žala šiems komponentams: stiklo keramika, priedai, krepšeliai virtuvės įrankiams, tiekimo ir išleidimo vamzdžiai, tarpikliai, lemputės ir lempučių gaubtai, rankenėlės, danga ir dangos dalys. Nebent galima įrodyti, kad ši žala buvo padaryta dėl gamybos klaidų.
- Atvejai, kai techniko apsilankymo metu neaptinkama veikimo defektų.
- Remonto darbai, kuriuos atliko ne mūsų įgaliota aptarnavimo tarnyba ir (arba) įgaliotas sutartinis aptarnavimo partneris arba jei buvo naudotos neoriginalios atsarginės dalys.
- Remonto darbai dėl neteisingo arba specifikacijų neatitinkančio sumontavimo.
- Netinkamo ir (arba) nebuitinio naudojimo, pavyzdžiui, profesionalaus naudojimo atvejai.
- Gabenant padaryta žala. Jei klientas gabena gaminį į savo namus arba kitu adresu, „IKEA“ nebus atsakinga už žalą, galinčią pasitaikyti gabenant. Jei „IKEA“ gabena produktą kliento adresu, kompensuodama bet kokią gaminiui pristatymo metu padarytą žalą padengs „IKEA“.

- Su „IKEA“ elektrinio buitinio prietaiso pirmu montavimu susijusios išlaidos. Bet kokiu atveju, jei „IKEA“ paslaugų teikėjas arba jos įgaliotas partneris pataisys arba pakeis prietaisą pagal savo garantijos sąlygas, tiekėjas arba įgaliotas partneris, jei reikia, vėl sumontuos pataisytą prietaisą arba sumontuos pakeistą prietaisą. Šie ribojimai netaikomi reguliariems darbams, kuriuos atlieka kvalifikuotas personalas, naudodamas originalias atsargines dalis tam, kad pritaikytų prietaisą pagal kitos ES šalies saugos techninius reikalavimus.

Nacionalinių taisyklių taikymas

Klientui priklauso teisės, numatytos Įst. dekr. Nr. 206/2005 ir ši „IKEA“ garantija 5 (penkerius) metus nepanaikina šių teisių, kurios atitinka ir išplečia minimalias juridines kiekvienos šalies su garantija susijusias teises. Bet kokiu atveju, šios sąlygos niekaip neapriboja vietiniuose nuostatuose nustatytų vartotojo teisių.

Galiojimo sritis

Jei elektros prietaisai įsigyti ES šalyje ir išvežti į kitą ES šalį, paslaugos bus tiekiamos atsižvelgiant į naujoje šalyje taikomas garantijos sąlygas. Tiekėjo įsipareigojimas suteikti paslaugą pagal garantijos sąlygas taikomas tik tada, jei elektrinis buitinis prietaisas atitinka ir yra sumontuotas pagal:

- šalies, kurioje reikia pritaikyti garantiją, technines specifikacijas;
- montavimo instrukcijose ir naudotojo vadove pateiktą saugos informaciją.

„IKEA“ prietaisams skirta APTARNAVIMO tarnyba

Nedvejodami kreipkitės į „IKEA“ paskirtą įgaliotą aptarnavimo centrą, kad:

- paprašytumėte techninės pagalbos garantiniu laikotarpiu
- paprašytumėte informacijos apie „IKEA“ elektrinių buitinių prietaisų veikimą.

Kad užtikrintumėme geriausią aptarnavimą, prieš kreipiantis į mus, prašome atidžiai perskaityti gaminio surinkimo instrukcijas ir (arba) instrukcijų vadovą.

Kaip susisiekti, jei reikia pagalbos



Prašome kreiptis „IKEA“ aptarnavimo centro numeriu, pateiktu šio vadovo paskutiniame puslapyje.

i Kad garantuotume greitesnę paslaugą, siūlome naudoti šiame vadove pateiktus telefono numerius. Visada naudokite įrangos, kuriai reikalinga pagalba, vadove nurodytus numerius. Siūlome visada turėti „IKEA“ kodą (8 skaičiai) ir 12 skaičių kodą, kurie pateikti jūsų gaminio etiketėje.

i IŠSAUGOKITE PIRKIMO / PRISTATYMO DOKUMENTĄ!

Jis yra pirkimo įrodymas ir jį reikia parodyti, kad būtų galima pritaikyti garantiją. Kvite taip pat yra pateiktas kiekvieno įsigyto prietaiso pavadinimas ir „IKEA“ prekės kodas (8 skaičiai).

Reikia papildomos pagalbos?

Dėl bet kokios su aptarnavimu nesusijusios informacijos prašome kreiptis į atitinkamos „IKEA“ pardavimo vietos klientų aptarnavimo tarnybą. Prašome prieš kreipiantis į mus atidžiai perskaityti su elektriniu buitiniu prietaisu susijusią techninę dokumentaciją.

Drošības instrukcijas

i Pirms pirmās lietošanas reizes

Jūsu drošībai un pareizai ierīces darbībai, lūdzu, pirms uzstādīšanas un lietošanas rūpīgi izlasiet šo rokasgrāmatu. Rūpīgi aplūkojiet brīdinājuma attēlus šīs rokasgrāmatas sākumā. Lai nodrošinātu pareizu un pilnīgu uzstādīšanu, skatiet īpašo uzstādīšanas rokasgrāmatu, kas piegādāta kopā ar izstrādājumu. Vienmēr saglabājiet šo instrukciju kopā ar ierīci, pat ja to pārdodat vai nododat trešajām personām. Ir svarīgi, lai lietotāji pārzinātu visas ierīces darbības un drošības funkcijas.

⚠ Šis ir bīstamības simbols, kas attiecas uz drošību un brīdina par iespējamu risku lietotājam un citiem.


Pirms visiem drošības ziņojumiem ir bīstamības simbols un šādi termini:

⚠ BĪSTAMI: norāda uz bīstamu situāciju, kas, ja no tās neizvairās, var izraisīt nopietnas traumas.

⚠ BRĪDINĀJUMS: norāda uz bīstamu situāciju, kas, ja no tās neizvairās, var izraisīt nopietnas traumas.

Visi drošības brīdinājumi sniedz konkrētu informāciju par iespējamo apdraudējumu, kā arī norādes par to, kā samazināt traumu, bojājumu un elektriskās strāvas trieciena risku, kas rodas ierīces nepareizas lietošanas rezultātā. Rūpīgi ievērojiet tālāk sniegtos norādījumus.

- Pārbaudiet, vai ierīcei nav transportēšanas bojājumu
- No piederumiem noņemiet kartona aizsargus, aizsargplēves un uzlīmes.
- Uzstādīšana un elektrības pieslēgšana jāveic kvalificētam tehnikam saskaņā ar ražotāja norādījumiem un ar vietējiem drošības noteikumiem. Nelabojiet un nemainiet nevienu ierīces daļu, ja vien lietotāja rokasgrāmatā tas nav īpaši ieteikts.
- Pirms jebkādu uzstādīšanas darbu veikšanas ierīce ir jāatvieno no elektrotīkla.

- **⚠ BRĪDINĀJUMS:** skrūvju vai stiprinājumu neuzstādīšana saskaņā ar šo instrukciju var izraisīt elektriskās strāvas apdraudējumu.
- Ierīces zemējums ir obligāts saskaņā ar likumu. (Nav iespējams II klases tvaika nosūcējiem, kas apzīmēti ar simbolu  uz datu plāksnītes).
- Nevelciet aiz ierīces strāvas vada, lai to atvienotu no kontaktligzdas.
- Kad uzstādīšana ir pabeigta, elektriskās sastāvdaļas nedrīkst būt pieejamas lietotājam.
- Nepieskarieties ierīcei ar mitrām ķermeņa daļām un neizmantojiet to ar basām kājām.
- Šo ierīci drīkst lietot bērni, kas vecāki par 8 gadiem, un cilvēki ar ierobežotām fiziskajām, maņu vai garīgajām spējām vai ar nepietiekamu pieredzi un zināšanām tikai tad, ja viņi tiek uzraudzīti vai ir saņēmuši norādījumus par ierīces drošu lietošanu un izprot ar to saistītos riskus. Bērni ir jāuzrauga, lai tie nespēlētos ar iekārtu. Tīrīšanu un kārtējo apkopi nedrīkst veikt bērni bez pieaugušo uzraudzības.
- Visi pārējie apkopes pakalpojumi jāveic specializētam tehnikam.
- Urbjot sienā, uzmanieties, lai nesabojātu elektriskos savienojumus un/vai cauruļvadus.
- Ventilācijas atverēm vienmēr jābūt izvadītām ārpus telpas.
- Ražotājs neuzņemas atbildību par jebkādiem bojājumiem, kas radušies nepareizas lietošanas vai kļūdainu iestatījumu dēļ.
- Pareiza apkope un tīrīšana nodrošina veiksmīgu darbu un labāko ierīces veiktspēju. Regulāri notīriet visus noturīgos netīrumus uz virsmas, lai izvairītos no tauku uzkrāšanās. Regulāri noņemiet un notīriet vai mainiet filtru. Lai to izdarītu, izpildiet sadaļā "Tīrīšana un apkope" sniegtos norādījumus.

- Negatavojiēt ēdienu ar liesmas ("flambēšana") zem ierīces. Atklātas liesmas izmantošana var izraisīt ugunsgrēku.
- Tvaika nosūcēja tīrīšanas un filtru nomaiņas un tīrīšanas instrukciju neievērošana rada aizdegšanās risku.
- Izplūdes gaiss nedrīkst tikt izvadīts kanālā, kuru izmanto, lai izvadītu gāzi vai citu kurināmo dedzinošu iekārtu radītos izgarojumus, bet tam ir jābūt neatkarīgai izvadei.
- Jāievēro visi valsts noteikumi, kas attiecas uz gaisa izvadīšanu.
- Ja tvaika nosūcēju lieto kopā ar citām ierīcēm, kas izmanto gāzi vai citu degvielu, ir jānodrošina atbilstoša ventilācija. Negatīvs spiediens telpā nedrīkst pārsniegt 4 Pa (4 x 10⁻⁵ bāri). Šī iemesla dēļ pārliecinieties, ka telpa ir labi vēdināta. Ja rodas šaubas, sazinieties ar pilnvarotu servisa centru vai kvalificētu speciālistu.
- Ēdienu cepšanas laikā neatstājiet pannas uz uguns bez uzraudzības, jo cepšanai izmantotā eļļa var aizdegties.
- Pirms pieskaraties spuldzēm, pārliecinieties, ka tās ir atdzisušas.
- Neizmantojiet un neatstājiet tvaika nosūcēju bez pareizi uzstādītas spuldzes, jo tas var izraisīt elektriskās strāvas triecienu.
- Tvaika nosūcējs nav atbalsta virsma, tāpēc nenovietojiet uz tā priekšmetus un nepārslodojiet to.
- Visām uzstādīšanas un apkopes darbībām izmantojiet piemērotus darba cimdus.
- Ierīce nav piemērota lietošanai ārpus telpām.

⚠ BRĪDINĀJUMS: kad plīts virsma darbojas, tvaika nosūcēja pieejamās daļas var sakarst.

⚠ BRĪDINĀJUMS: šī ierīce ir smaga; tvaika nosūcēju drīkst pacelt un uzstādīt tikai divi vai vairāki cilvēki. Minimālais attālums starp plīti un tvaika nosūcēja apakšējo daļu nedrīkst būt mazāks par 65 cm plīts virsmām ar gāzes vai cita kurināmā degliem, un 50 cm elektriskajām plītīm. Pirms uzstādīšanas pārbaudiet arī minimālos attālumus, kas norādīti plīts virsmas rokasgrāmatā. Ja plīts uzstādīšanas instrukcijā ir norādīts lielāks attālums, šis attālums ir jāievēro.

Uzstādīšana

Tvaika nosūcējs ir paredzēts uzstādīšanai un lietošanai "iesūkšanas" vai "recirkulācijas" režīmā.

Sūkšanas versija (skatiet simbolu uzstādīšanas instrukcijā)

Gatavošanas tvaiks tiek iesūktis un izvadīts ārpus telpas caur izplūdes cauruli (nav iekļauta komplektācijā), kas savienota ar tvaika nosūcēja izvadū.

Pārliecinieties, vai izplūdes caurule ir pareizi uzstādīta gaisa izplūdes atverē, izmantojot piemērotu savienojuma sistēmu.

Svarīgi: ja jau tas (-ie) ir uzstādīts (-s), noņemiet oglekļa filtru (-s).

Gaisa recirkulācijas versija

(skatiet simbolu uzstādīšanas instrukcijā)

Gaiss tiek filtrēts caur vienu vai vairākiem filtriem un pēc tam tiek novadīts atpakaļ telpā.

Svarīgi: pārliecinieties, vai ap tvaika nosūcēju ir pareiza gaisa cirkulācija.

Svarīgi: ja tvaika nosūcēja komplektācijā nav iekļauti oglekļa filtri, tie jāpasūta un jāsamontē pirms ierīces lietošanas. Filtri ir pieejami IKEA veikalos.

Tvaika nosūcējs jāuzstāda tālāk no īpaši netīrām vietām, logiem, durvīm un siltuma avotiem.

Sienas stiprinājuma piederumi nav iekļauti, jo dažādu materiālu sienām ir nepieciešami dažāda veida stiprinājuma piederumi. Izmantojiet stiprinājuma

sistēmas, kas piemērotas jūsu mājas sienām un ierīces svaram. Lai iegūtu sīkāku informāciju, sazinieties ar specializētu izplatītāju.

Saglabājiet šo instrukciju turpmākai uzziņai.

Padomi vides aizsardzībai


Iepakojuma materiāls

Iepakojums ir 100% pārstrādājams un

marķēts ar pārstrādes simbolu 

Tāpēc no dažādām iepakojuma daļām nedrīkst atbrīvoties vidē, bet tās jāutilizē saskaņā ar vietējo iestāžu noteiktajiem noteikumiem.



Simbols  uz izstrādājuma vai pievienotajā dokumentācijā norāda, ka šo izstrādājumu nedrīkst izmest kā sadzīves atkritumus, bet tas ir jānogādā atbilstošā savākšanas punktā elektrisko un elektronisko iekārtu pārstrādei.

Tīrīšana un apkope

BRĪDINĀJUMS

- Atvienojiet tvaika nosūcēju no barošanas avota
- Notīriet virsmas ar mitru drānu. Ja tas ir ļoti netīrs, pievienojiet ūdenim dažus pilienus trauku ziepju. Noslaukiet ar sausu drānu.
- Tīrīšanai neizmantojiet galda piederumus vai citus instrumentus.
- Izvairieties no tvaika strūkļas tīrīšanas līdzekļu lietošanas

SVARĪGI: neizmantojiet kodīgus vai abrazīvus tīrīšanas līdzekļus. Ja kāds no šiem produktiem netīšām nonāk saskarē ar ierīci, nekavējoties notīriet to ar mitru drānu.

Ierīces tīrīšanai izmantojiet īpašus mazgāšanas līdzekļus un ievērojiet ražotāja norādījumus.

Neizmantojiet abrazīvus sūkļus, tērauda vilnu vai metāla skrāpjus. Ilgtermiņā tie var sabojāt virsmu

SVARĪGI: tīriet prettauku filtrus vismaz reizi mēnesī, lai noņemtu eļļas vai smērvielas atlikumus.

Prettauku filtru mazgāšana

Metāla prettauku filtram ir neierobežots kalpošanas laiks, un tas ir jāmazgā reizi mēnesī ar rokām vai trauku mazgājamajā mašīnā zemā temperatūrā un ar īsu programmu.

Mazgājot trauku mazgājamajā mašīnā, prettauku filtrs var nedaudz mainīt krāsu, taču tā filtrēšanas īpašības nemainās.

Oglekļa filtru apkope.

Pretsmaku filtrs ir jāmazgā un jāreģenerē ik pēc 3-4 mēnešiem (vai biežāk, ja nosūcējs ir pakļauts intensīvai lietošanai), maksimāli līdz 8 reģenerācijas cikliem (īpaši intensīvas lietošanas gadījumā ieteicams nepārsniegt 5 ciklus).

Reģenerācijas procedūra

- Mazgāt trauku mazgājamajā mašīnā līdz 70°C vai ar rokām karstā ūdenī, neizmantojot abrazīvus sūkļus (nelietot mazgāšanas līdzekļus!)
- Žāvēt cepeškrāsnī maksimāli 70°C temperatūrā 2 stundas vai ļaut nožūt istabas temperatūrā, novietojot filtru vertikālā stāvoklī, lai atvieglotu ūdens noplūdi.

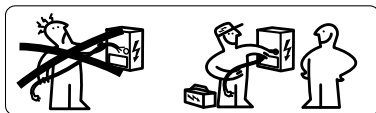
Lampas apkope

Tvaika nosūcējs ir aprīkots ar LED apgaismojuma sistēmu.

LED garantē optimālu apgaismojumu, darbības laiku līdz pat 10 reizēm ilgāk nekā tradicionālās spuldzes un ļauj ietaupīt 90% elektroenerģijas.

Lai veiktu nomaiņu, sazinieties ar pilnvaroto servisa centru.

Elektrības pieslēgums



⚠ BRĪDINĀJUMS: Visi elektriskie savienojumi jāveic pilnvarotam uzstādītājam. Pārbaudiet, vai izstrādājuma plāksnītē norādītais spriegums ir tāds pats kā tīkla spriegums.

Šī informācija ir norādīta tvaika nosūcēja iekšpusē zem prettauku filtra.

⚠ BRĪDINĀJUMS: Ja tvaika nosūcējs ir aprīkots ar kontaktdakšu, pievienojiet ierīci kontaktligzdai, kas atbilst spēkā esošajiem noteikumiem un atrodas pieejamā vietā.

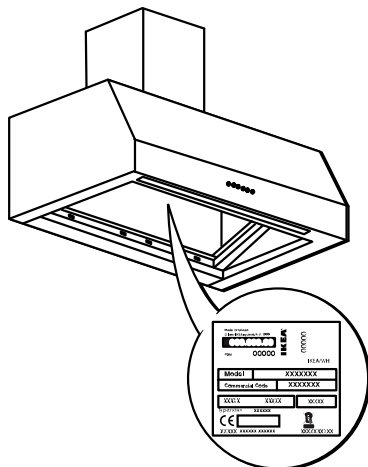
Tvaika nosūcējs ir aprīkots ar speciālu barošanas kabeli (tips H05 VV-F); bojājumu gadījumā pieprasiet to tehniskās servisa dienestam.

Ja tas nav aprīkots ar kontaktdakšu (tiešā elektroinstalācija tīklā) vai ja kontaktdakša neatrodas pieejamā vietā, uzstādiet standartizētu bipolāru slēdzi, kas nodrošina pilnīgu izolāciju no tīkla III kategorijas pārsprieguma gadījumā, saskaņā ar elektroinstalācijas normu.

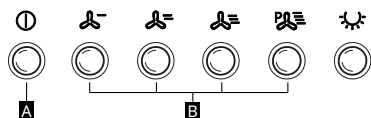
⚠ BRĪDINĀJUMS: Nemetiniet kabelus!

Datu plāksnīte

Tehniskie dati ir norādīti uz plāksnītes, kas atrodas ierīces iekšpusē



Vadības panelis



A Dzinēja izslēgšanas poga

B Dzinēja ieslēgšanas poga

IKEA GARANTIJA

Cik ilgi ir spēkā IKEA garantija?

Šī garantija ir spēkā 5 gadus no jūsu ierīces IKEA veikala iegādes/piegādes datuma. Kā pirkumu apliecināošs dokuments ir jāuzrāda čeka oriģināls. Garantijas laikā veiktās apkopes darbības nepagarina tās darbības laiku.

Kas nodrošina servisu?

IKEA izvēlētais un pilnvarotais servisa dienests sniedz servisu, izmantojot savu pilnvaroto servisa partneru tīklu.

Uz ko attiecas šī garantija?

Garantija attiecas uz elektroiekārtas defektiem, kas radušies ražošanas defektu rezultātā (funkcionālais defekts), sākot no ierīces iegādes/piegādes datuma. Šī garantija attiecas tikai uz lietošanu mājaisaimniecībā. Izņēmumi ir aprakstīti sadaļā "Ko nesedz garantija?". Garantijas derīguma laiks, remonta izmaksas (rezerves daļas, darbaspēks un tehniskā personāla ceļojumi) sedz servisa dienests, saprotot, ka piekļuve tehnikai remontdarbu veikšanai nav saistīta ar īpašiem izdevumiem. Šie nosacījumi atbilst ES direktīvai (Nr. 99/44/CE) un visiem vietējiem noteikumiem. Nomainītās sastāvdaļas kļūst par IKEA īpašumu.

Kā IKEA iejauksies, lai atrisinātu problēmu?

Pēcpārdošanas serviss, kuru IKEA norīkojis pakalpojuma veikšanai, pārbauda izstrādājumu un pēc saviem ieskatiem izlemj, vai uz to attiecas garantija. IKEA servisa nodaļa vai tā pilnvarotais servisa partneris, izmantojot attiecīgos servisa centrus, pēc saviem ieskatiem vai nu salabo bojāto izstrādājumu, vai nomaina to pret tādu pašu vai līdzvērtīgu preci.

Uz kādiem gadījumiem neattiecas garantija?

- Normāls nolietojums
- Bojājumi, kas izraisīti tīši, bojājumi, kas radušies lietošanas instrukcijas neievērošanas, nepareizas uzstādīšanas vai pieslēgšanas pie nepareiza

sprieguma rezultātā. Bojājumi, kurus izraisa ķīmiskas vai elektroķīmiskas reakcijas, rūsas, korozija vai ūdens, tostarp bojājumi, ko rada pārmērīga kaļķakmens klātbūtne ūdensvados. Atmosfēras un dabas notikumu radītie bojājumi.

- Patērējamās daļas, ieskaitot baterijas un spuldzes.
- Bojājumi nefunkcionālajām un dekoratīvajām daļām, kas neietekmē normālu ierīces lietošanu, tostarp skrāpējumi un krāsu atšķirības.
- Nejauši bojājumi, kurus izraisījuši svešķermeņi vai vielas, un bojājumi, kas radušies, tīrot vai noņemot aizsērējumus no filtriem, kanalizācijas sistēmām vai mazgāšanas līdzekļu atvilktnēm.
- Šādu sastāvdaļu bojājumi: keramikas plīts, piederumi, galda piederumu un trauku grozi, padeves un kanalizācijas caurules, blīves, spuldzes un spuldžu vāciņi, režģi, pogas, pārklājums un pārklājuma daļas. Ja vien nevar pierādīt, ka šādu bojājumu cēlonis nav ražošanas kļūdas.
- Gadījumi, ja tehnika vizītes laikā netiek konstatēti funkcionālie defekti.
- Remontdarbi, kurus nav veicis mūsu pilnvarotais servisa centrs un/vai pilnvarots servisa partneris, vai ja tiek izmantotas neoriģinālās rezerves daļas.
- Remontdarbi, kurus izraisījusi nepareiza vai neatbilstoša uzstādīšana.
- Ierīces nepareizas un/vai ne mājaisaimniecības lietošanas gadījumi, piem., profesionāla lietošana.
- Transporta bojājumi. Ja pircējs preci ved uz mājām vai citu adresi, IKEA nav atbildīgs par bojājumiem, kas var rasties transportēšanas laikā. Savukārt, ja IKEA veic preces transportēšanu uz klienta adresi, preces piegādes laikā radušos bojājumus sedz IKEA.

- Izmaksas, kas saistītas ar IKEA sadzīves tehnikas pirmo uzstādīšanu. Tomēr, ja IKEA pakalpojumu sniedzējs vai tā pilnvarotais partneris remontē vai nomaina ierīci saskaņā ar šīs garantijas noteikumiem, piegādātājs vai pilnvarotais partneris vajadzības gadījumā atkārtoti uzstāda salaboto ierīci vai nomaina ierīci. Šie ierobežojumi neattiecas uz regulārām darbībām, kuru veic kvalificēts tehniskais personāls, izmantojot oriģinālās rezerves daļas, lai ierīci pielāgotu citas ES valsts tehniskās drošības noteikumiem.

Valsts tiesību aktu piemērošana

Klients ir tiesību īpašnieks, kas noteikts Likumdošanas dekrētā Nr. 206/2005, un šī 5 (piecu) gadu IKEA garantija neietekmē šīs tiesības, kas atbilst vai paplašina katras valsts minimālās likumīgās tiesības garantijas ziņā. Tas nekādā veidā neierobežo patērētāja tiesības, kas noteiktas vietējos tiesību aktos.

Derīguma zona

Sadzīves tehnikas, kas iegādāta ES valstī un piegādāta citā ES valstī, serviss tiks nodrošināts saskaņā ar jaunajā valstī spēkā esošajiem garantijas nosacījumiem. Pienākums nodrošināt servisu saskaņā ar garantijas nosacījumiem pastāv tikai tad, ja sadzīves tehnika atbilst un ir uzstādīta saskaņā ar:

- tās valsts, kurā tiek pieprasīta garantijas piemērošana, tehniskajām specifikācijām;
- drošības informāciju, kas ietverta montāžas instrukcijās un lietotāja rokasgrāmatā.

SERVISA pakalpojums, kas paredzēts IKEA ierīcēm

Nevilcinieties sazināties ar IKEA izraudzīto pilnvaroto servisa centru lai:

- pieprasītu tehnisko servisu garantijas laikā
- pieprasītu informāciju saistībā ar IKEA tehnisko darbību.

Lai nodrošinātu vislabāko servisu, lūdzu, pirms sazināšanās ar mums rūpīgi izlasiet montāžas instrukcijas un/vai izstrādājuma lietošanas instrukciju.

Kā ar mums sazināties, ja nepieciešams serviss



Lūdzu, sazinieties ar IKEA servisa centra numuru, kas norādīts šīs rokasgrāmatas pēdējā lapā.

i Lai garantētu ātrāku servisu, iesakām izmantot šajā rokasgrāmatā norādītos tālrunu numurus. Vienmēr skatiet numurus, kas norādīti tā aprīkojuma, saistībā ar kuru nepieciešams serviss, rokasgrāmatā. Iesakām, lai vienmēr būtu pieejams IKEA kods (8 cipari) un 12 ciparu kods, kas norādīts uz izstrādājuma etiķetes.

i SAGLABĀJIET IEGĀDES/PIEGĀDES DOKUMENTU!

Tas ir pirkuma pierādījums, un ir jāuzrāda, lai garantija būtu spēkā. Katras iegādātās ierīces nosaukums un IKEA izstrādājuma numurs (8 cipari) ir norādīts arī čekā.

Vai jums ir nepieciešama papildu palīdzība?

Lai iegūtu informāciju, kas nav saistīta ar servisu, sazinieties ar attiecīgo IKEA veikala klientu apkalpošanas dienestu. Pirms sazināšanās ar mums, lūdzu, rūpīgi izlasiet ierīces tehnisko dokumentāciju.

Ohutusjuhised

i Enne esimest kasutamist

Enda ohutuse ja seadme õige töö tagamiseks lugege see juhend enne toote paigaldamist ja kasutuselevõttu tähelepanelikult läbi. Vaadake hoolikalt selle juhendi alguses olevaid hoiatuspilte. Õigeks ja täielikuks paigaldamiseks vaadake tootega kaasas olevat eraldi paigaldusjuhendit.

Hoidke need juhised alati seadme läheduses, ka siis, kui toode antakse edasi või teisaldatakse kellegi teise valdusse. On oluline, et kasutajad tunneksid seadme kõiki töö- ja ohutusfunktsioone.

⚠ See on ohuga seotud sümbol, mis hoiatab kasutajat ja teisi ähvardavate võimalike ohtude eest.

Kõigile ohutusteadetele eelneb ohusümbol ja järgmised terminid.

⚠ OHT: tähistab ohtlikku olukorda, mis eiramise korral põhjustab tõsiseid vigastusi.

⚠ HOIATUS: tähistab ohtlikku olukorda, mis eiramise korral võib põhjustada tõsiseid vigastusi.

Kõik ohutushoiatused sisaldavad täpseid üksikasju võimaliku ohu kohta ning juhiseid selle kohta, kuidas vähendada seadme ebaõigest kasutamisest tulenevat vigastuste, kahjustuste ja elektrilöögi riski. Järgige hoolikalt järgmisi juhiseid.

- Kontrollige, et seadmel ei oleks transpordikahjustusi.
- Eemaldage tarvikutelt pappkaitsmed, kaitsekiled ja kleepsildid.
- Paigaldamise ja elektriühenduse peab tegema kvalifitseeritud tehnik vastavalt tootja juhistele ja kohalikele ohutuseeskirjadele. Ärge parandage ega vahetage välja seadme ühtki osa, välja arvatud juhul, kui kasutusjuhendis on seda konkreetselt soovitatud.
- Mistahes paigaldustööde ajal ei tohi seade olla ühendatud elektrivõrku.

- **⚠ HOIATUS:** kruvide või kinnitustdetailide paigaldamata jätmine nii, nagu nendes juhistes kirjeldatud, võib põhjustada elektriõhtu.
- Seadme maandus on kohustuslik ja seda nõuab seadus. (Pole võimalik II klassi õhupuhastite korral, mis on tähistatud andmesildil sümboliga ,).
- Ärge tõmmake seadme toitejuhtmest, et seda pistikupesast välja võtta.
- Pärast paigaldamise lõpetamist ei tohi elektrilised komponendid olla enam kasutajale ligipääsetavad.
- Ärge puudutage seadet märgade kehaosadega ega kasutage seda paljajalu.
- Seda seadet võivad kasutada üle 8-aastased lapsed ning vähenenud füüsiliste, sensorsete või vaimsete võimete või ebapiisavate kogemuste ja teadmistega inimesed ainult järelevalve all või kui nad on saanud juhised seadme ohutuks kasutamiseks ja mõistavad sellega kaasnevad ohte. Tuleb kontrollida, et lapsed ei mängiks seadmega. Lapsed ei tohi ilma täiskasvanu järelevalveta seadet puhastada ega tavapärasest hooldust teha.
- Kõik muud hooldustööd peab tegema spetsialiseerunud tehnik.
- Seina puurimisel olge ettevaatlik, et te ei kahjustaks elektriühendusi ega torusid.
- Ventilatsioonivad peavad suunduma välja.
- Tootja ei võta endale vastutust mis tahes kahjustuste eest, mis on põhjustatud ebaõigest kasutamisest või valedest seadistustest.
- Piisav hooldus ja puhastus tagavad eduka töö ja seadme parima jõudluse. Rasva kogunemise vältimiseks puhastage pinda korrapäraselt igasugusest tõrksast mustusest. Eemaldage ja puhastage filtrid või

vahetage need välja regulaarselt. Selleks järgige jaotises "Puhastamine ja hooldus" antud juhiseid.

- Ärge küpsetage toitu seadme all leegil ("flambé"). Lahtise tule kasutamine võib põhjustada tulekahju.
- Õhupuhasti puhastusnõuete ja filtrite puhastamise või vahetamise kohustuse eiramine toob kaasa tuleohu.
- Väljatõmbeõhku ei tohi juhtida torusse, mida kasutatakse gaasi või muid kütuseid põletavate seadmete tekitatud auru eemaldamiseks, vaid tootel peab olema oma väljalaskeava.
- Järgida tuleb kõiki õhu väljalaskmisega seotud riiklikke eeskirju.
- Kui õhupuhastit kasutatakse koos teiste gaasi või muud kütust kasutavate seadmetega, peab olema tagatud piisav ventilatsioon. Ruumi alarõhk ei tohi ületada 4 Pa (4 x 10⁻⁵ baari). Seepärast veenduge, et ruum oleks hästi ventileeritud. Kahtluse korral võtke ühendust volitatud teeninduskeskuse või kvalifitseeritud spetsialistiga.
- Ärge jätke panne toidu praadimisel tulele järelevalveta, sest praadimisel kasutatav õli võib süttida.

- Enne pirnide puudutamist veenduge, et need on külmad.
- Ärge kasutage ega jätke õhupuhastit ilma õigesti paigaldatud pirnita, kuna see võib põhjustada elektrilöögi.
- Õhupuhasti ei ole mõeldud tugipinnaks, seega ärge asetage sellele esemeid ega koormake seda üle.
- Kõigi paigaldus- ja hooldustoimingute ajal kasutage sobivaid töökindaid.
- Seade ei sobi kasutamiseks välitingimustes.


⚠ HOIATUS: kui pliidiplaat töötab, võivad õhupuhasti ligipääsetavad osad kuumeneda.

⚠ HOIATUS: seade on raske; õhupuhastit tohib tõsta ja paigaldada minimaalselt kahekesi. Pliidiplaadi ja õhupuhasti alumise osa vaheline minimaalne kaugus ei tohi olla väiksem kui 65 cm gaasi- või muu kütuse põletiga pliitidel ja 50 cm elektripliitidel. Enne paigaldamist kontrollige ka pliidiplaadi juhendis toodud minimaalseid vahemaid. Kui pliidiplaadi paigaldusjuhendis on ette nähtud suurem vahemaa, tuleb seda vahemaad järgida.

Paigaldamine

Õhupuhasti on ette nähtud paigaldamiseks ja kasutamiseks väljatõmbe- või ringlusrežiimis.

Väljatõmbeversioon (vt

paigaldusjuhendis olevat sümbolit )
Toiduvalmistamisaur imetakse sisse ja juhatakse majast välja läbi väljalasketoru (ei ole tootega kaasas), mis on ühendatud õhupuhasti väljalaskeavaga.

Veenduge, et väljalasketoru on sobiva ühendussüsteemiga õigesti paigaldatud õhu väljalaskmise avasse.

Tähtis: eemaldage söefilter(id), kui see/need on juba paigaldatud.

Õhu ringlusega versioon

(vt sümbolit  paigaldusjuhendis)

Õhk filtreeritakse läbi ühe või mitme filtri ja suunatakse seejärel tagasi ruumi.

Tähtis: veenduge, et õhupuhasti ümber toimuks õige õhuringlus.

Tähtis: kui õhupuhastiga ei ole kaasas söefiltreid, tuleb need enne seadme kasutamist tellida ja seadmele paigaldada. Filtrid on saadaval IKEA kauplustes.


Õhupuhasti tuleb paigaldada eemale eriti määrduvad kohtadest, akendest, uustest ja soojusallikatest.

Seinakinnitustarvikud ei kuulu komplekti, kuna erinevatest materjalidest seinad nõuavad erinevat tüüpi kinnitustarvikuid. Kasutage oma kodu seintele ja seadme kaalule sobivaid kinnitussüsteeme. Lisateabe saamiseks võtke ühendust spetsialiseerunud edasimüüjaga.

Hoidke need juhised edaspidiseks kasutamiseks alles.


Nõuanded keskkonna kaitsmiseks

Pakkematerjal

Pakend on 100% taaskasutatav ja tähistatud taaskasutussümboliga . Pakendi erinevaid osi ei tohi keskkonda jätta, vaid need tuleb kõrvaldada kohalike ametiasutuste kehtestatud eeskirju järgides.

Tootel või sellega kaasas oleval



dokumentatsioonil olev sümbol  näitab, et toodet ei tohi käsitleda olmeprügina, vaid see tuleb anda ümbertöötlemiseks elektri- ja elektroonikaromude kogumispunkti.

Puhastamine ja hooldus

HOIATUS!

- Eraldage õhupuhasti vooluvõrgust.
- Puhastage pinnad niiske lapiga. Kui seade on väga määrdunud, lisage vette paar tilka nõudepesuvahendit. Pühkige pinnad kuiva lapiga kuivaks.
- Ärge kasutage puhastamiseks tööriistu ega muid vahendeid.
- Vältige auru-puhastusseadmete kasutamist

TÄHTIS: ärge kasutage söövitavaid või abrasiivseid puhastusvahendeid. Kui mõni neist toodetest kogemata seadmega kokku puutub, puhastage see kohe niiske lapiga.

Kasutage seadme puhastamiseks spetsiaalseid puhastusvahendeid ja järgige tootja juhiseid.

Ärge kasutage abrasiivseid käsnu, traatnuustikuid ega metallkaabitsaid. Pikemas perspektiivis võivad need pinda kahjustada.

TÄHTIS: puhastage rasvafiltreid vähemalt kord kuus, et eemaldada õli- ja rasvajäägid.

Rasvafiltri pesemine

Metallist rasvafiltril on piiramatult eluiga ja seda tuleb pesta kord kuus käsitsi või nõudepesumasinas madalal temperatuuril ja lühikese programmiga.

Metallist rasvafiltri pesemisel nõudepesumasinas võib selle värvus muutuda, kuid see ei muuda kuidagi filtri tööomadusi.

Söefiltri hooldus.

Lõhnafiltrit tuleb pesta ja regenereerida iga 3–4 kuu järel (või tihedamini, kui õhupuhastit kasutatakse intensiivselt), maksimaalselt võib teha kuni 8 regenereerimistsükli (eriti intensiivse kasutamise korral on soovitatav mitte ületada 5 tsükli).

Regenereerimisprotseduur

- Peske nõudepesumasinas maksimaalsel temperatuuril 70 °C või käsitsi kuumas vees ilma abrasiivseid käsnu kasutamata (ärge kasutage puhastusvahendeid!).
- Kuivatage ahjus maksimaalselt 70 °C juures 2 tundi või laske toatemperatuuril kuivada, asetades vee väljavoolu hõlbustamiseks filtri vertikaalsesse asendisse.

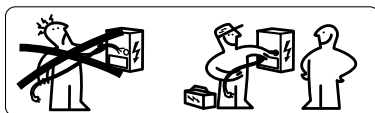
Lambipirnide hooldus

Õhupuhasti on varustatud LED-valgustusüsteemiga.

LED-id tagavad optimaalse valgustuse ning nende tööiga on kuni 10 korda pikem kui tavalistel pirnidel, lisaks võimaldavad need 90% energiasäästu.

Nende välja vahetamiseks võtke ühendust volitatud abikeskusega.

Elektriühendus



⚠ HOIATUS! Kõik elektriühendused peab tegema volitatud paigaldaja. Kontrollige, kas toote sildil näidatud pinge on sama mis võrgupinge.

See teave on toodud õhupuhasti sees, rasvafiltri all.

⚠ HOIATUS! Kui õhupuhasti on varustatud pistikuga, ühendage seade kehtivatele eeskirjadele vastavasse pistikupesasse, mis asub ligipääsetavas kohas. Õhupuhasti on varustatud

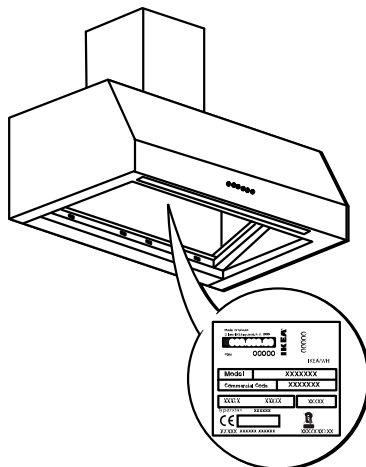
spetsiaalse toitekaabliga (tüüp H05 VV-F); kahju korral küsige uus kaabel tehnilise abi keskusest.

Kui seade ei ole varustatud pistikuga (juhtmestik ühendatakse otse vooluvõrku) või kui pistikupesa ei asu ligipääsetavas kohas, paigaldage standardiseeritud bipolaarne lüliti, mis võimaldab seadme III kategooria liigpinge korral vooluvõrgust täielikult eraldada, nagu näevad ette juhtmetele kehtivad nõuded.

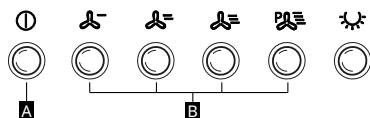
⚠ HOIATUS! Ärge keevitage kaableid!

Andmesilt

Tehnilised andmed on näidatud seadme siseküljel asuval sildil



Juhtpaneel



A Mootori väljalülitamise nupp

B Mootori sisselülitamise nupp

IKEA GARANTII

Kui kaua IKEA garantii kehtib?

Garantii kehtib 5 aastat alates seadme ostmise/tarnimise kuupäevast IKEA kauplusesse. Ostu tõendamiseks tuleb esitada originaaltšekk. Garantii ajal tehtud hooldustoimingud ei pikenda garantii kehtivust.

Kes teenust pakub?

IKEA valitud ja volitatud abiteenus osutab teenust oma volitatud teeninduspartnerite võrgustiku kaudu.

Mida garantii katab?

Garantii hõlmab tootmisvigadest (funktsionaalsest defektist) põhjustatud seadme defekte alates seadme ostu-/tarnekuupäevast. Garantii kehtib ainult seadme kodus kasutamise korral. Erandid on kirjeldatud jaotises "Mis ei kuulu garantii alla?". Garantii ajal ilmnenu remondikulud

(varuosad, tööjõud ja tehnilise personali sõidud) kannab

müügijärgne teenindus, juhul kui sellega ei kaasne erilisi kulutusi. Need tingimused vastavad EL-i direktiividele (nr 99/44/EÜ) ja kohalikele eeskirjadele. Välja vahetatud komponendid lähevad IKEA omandisse.

Kuidas IKEA probleemi lahendamisege tegeleb

IKEA teenuse osutamiseks tellitud müügijärgne teenindus vaatab toote üle ja otsustab omal äranägemisel, kas sellele kehtib garantii. IKEA teenindusosakond või selle volitatud teeninduspartner vastavate teeninduskeskuste kaudu parandab defektse toote oma äranägemise järgi või asendab selle sama või sama väärtusega tootega.

Mis ei kuulu garantii alla?

- Normaalne kulumine
- Tahtlikult tekitatud kahju, kasutusjuhendi mittejärgimisest, ebaõigest paigaldamisest või vale pingega ühendamisest põhjustatud kahju. Kahjustused, mis on põhjustatud keemilistest või elektrokeemilistest reaktsioonidest, roostest, korrosioonist

või veekahjustustest, sealhulgas kahjustused, mis on põhjustatud liigestest katlakivist veetorustikus. Atmosfääri- ja loodusnähtuste põhjustatud kahjustused.

- Kuluavad osad, sh akud ja lambipirnid.
- Mittefunktsionaalsete ja dekoratiivsete osade kahjustused, mis ei mõjuta seadme tavapärast kasutamist, sealhulgas kriimustused ja värvimuutused.
- Juhuslikud kahjustused, mis on põhjustatud võõrkehade või ainetest, ning kahjustused, mis on põhjustatud filtrite, väljalaskesüsteemide või pesuainesahitlite puhastamisest või takistuste eemaldamisest.
- Järgmiste komponentide kahjustused: keraamiline pliit, tarvikud, söögiriista- ja nõudekorvid, sisse- ja väljalasketorud, tihendid, lambipirnid ja lambikatted, võred, nupud, pinnakatted ja pinnakattete osad. Välja arvatud juhul, kui on võimalik tõestada, et sellise kahju põhjuseks on tootmisviga.
- Juhtumid, kus tehniku visiidi käigus funktsionaalseid defekte ei tuvastata.
- Remonti ei ole tehtud meie volitatud teeninduskeskus või volitatud lepingulise teenusepartneri juures või kui kasutatakse muid kui originaalvaruosi.
- Ebaõigest või spetsifikatsioonile mittevastavast paigaldamisest põhjustatud parandustööd.
- Seadme ebaõige ja/või mujal kui kodus kasutamise juhud, nt ametialases asukohas kasutamine.
- Transpordikahjustused. Kui klient viib ise toote koju või muule aadressile, ei vastuta IKEA transportimisel tekkida võivate kahjude eest. Ent kui IKEA tarnib toote transpordi kliendi aadressile, katab tootele tarnimisel tekkinud kahjud IKEA.

- IKEA seadme esmase paigaldamise kulud. Ent kui IKEA teenusepakkuja või tema volitatud partner parandab või asendab seadet käesoleva garantii tingimuste alusel, paigaldab tarnija või volitatud partner remonditud seadme uuesti või paigaldab vajaduse korral vahetuseks saadud seadme. Need piirangud ei kehti tavapärastele sekkumistele, mida teostavad kvalifitseeritud tehnilised töötajad originaalvaruosadega, et kohandada seadet mõne teise EL-i riigi tehnilistele ohutuseeskirjadele vastavaks.

Riiklike seaduste kohaldamine

Kliendil on seadusandlikus dekreedis nr 206/2005 sätestatud õigused ja see 5 (viie) aasta pikkune IKEA garantii ei piira neid õigusi, mis vastavad iga riigi minimaalsetele seaduslikele garantiile kehtivatele õigustele või pikendavad neid. Need ei piira mingil moel tarbija õigusi, mis on määratletud kohalike seadustega.

Kehtivuspiirkond

Ühest EL-i riigist ostetud ja teise EL-i riiki toodud kodumasinatele osutatakse teenuseid uues riigis kehtivate garantiitingimuste alusel. Garantiitingimustel teenuse osutamise kohustus on ainult juhul, kui seade vastab ja on paigaldatud kooskõlas järgmiste punktidega:

- selle riigi tehnilised kirjeldused, kus garantii rakendamist taotletakse;
- kokkupanekujuhistes ja kasutusjuhendis sisalduv ohutusteave.

IKEA seadmetele mõeldud abiteenus

Võtke julgelt ühendust IKEA määratud volitatud teeninduskeskusega:

- et garantiiaja jooksul tehnilist abi küsida
- küsida teavet IKEA seadmete töö kohta.

Parima teeninduse tagamiseks lugege enne meiega ühenduse võtmist hoolikalt läbi paigaldusjuhised ja/või toote kasutusjuhend.

Kuidas meiega vajaduse korral ühendust võtta



Võtke ühendust IKEA teeninduskeskuse numbriga, mis on toodud selle juhendi viimasel lehel.

i **Kiirema teeninduse tagamiseks soovime kasutada selles juhendis toodud telefoninumbreid. Kasutage alati numbreid, mis on märgitud selle seadme juhendis, millega abi vajate. Soovime teil alati käepärast hoida toote IKEA kood (8 numbrit) ja etiketil näidatud 12-kohaline kood.**

i **HOIDKE ALLES OSTU/ TARNEDOKUMENT!**

See on teie ostutõend ja see tuleb esitada, et garantii kehtiks. Iga ostetud seadme nimi ja IKEA artikli number (8 numbrit) on samuti kviitungil.

Kas vajate rohkem abi?

Abiga mitteseotud teabe saamiseks pöörduge IKEA poe klienditeenindusse. Enne meiega ühenduse võtmist lugege hoolikalt seadme tehnilist dokumentatsiooni.

BELGIË - BELGIQUE - BELGIEN

Telefoon/Numéro de téléphone/Telefon-Nummer:	026200311	
Tarief/Tarif/Tarif:	Lokaal tarief/Prix d'un appel local/Ortstarif	
Openingstijd:	Maandag - Vrijdag	8.00 - 20.00
Heures d'ouverture:	Lundi - Vendredi	8.00 - 20.00
Öffnungszeiten:	Montag - Freitag	8.00 - 20.00

БЪЛГАРИЯ

Телефонен номер:	02 4003536	
Тарифа:	Локална тарифа	
Работно време:	понеделник - петък	8.00 - 20.00

ČESKÁ REPUBLIKA

Telefonní číslo:	225376400	
Sazba:	Místní sazba	
Pracovní doba:	Pondělí - Pátek	8.00 - 20.00

DANMARK

Telefonnummer:	70150909	
Takst:	Lokal takst	
Åbningstid:	Mandag - fredag	9.00 - 20.00
	Lørdag	9.00 - 18.00
	(Åbent udvalgte søndage, se IKEA.dk)	

DEUTSCHLAND

Telefon-Nummer:	06929993602	
Tarif:	Ortstarif	
Öffnungszeiten:	Montag - Freitag	8.00 - 20.00

ΕΛΛΑΔΑ

Τηλεφωνικός αριθμός:	2109696497	
Χρέωση:	Τοπική χρέωση	
Ωρες λειτουργίας:	Δευτέρα - Παρασκευή	8.00 - 20.00

ESPAÑA

Teléfono:	913754126 (España Continental)	
Tarifa:	Tarifa local	
Horario:	Lunes - Viernes	8.00 - 20.00

EESTI

<http://www.ikea.com>

FRANCE

Numéro de téléphone:	0170480513	
Tarif:	Prix d'un appel local	
Heures d'ouverture:	Lundi - Vendredi	9.00 - 21.00

HRVATSKA

Broj telefona:	0800 3636	
Tarifa:	Localna tarifa	
Radno vrijeme:	Ponedjeljak - Petak	8.00 - 20.00

ÍSLAND

Símanúmer:	5852409	
Kostnaður við símtal:	Almennt mínútuverð	
Opnunartími:	Mánudaga - Föstudaga	9.00 - 17.00

ITALIA

Telefono:	0238591334	
Tariffa:	Tariffa locale	
Orari d'apertura:	Lunedì - Venerdì	8.00 - 20.00

LATVIJA

<http://www.ikea.com>

LIETUVIŲ

Telefono numeris:	(0) 520 511 35	
Skambučio kaina:	Vietos mokestis	
Darbo laikas:	Nuo pirmadienio iki penktadienio	8.00 - 20.00

LUXEMBOURG

Numéro de téléphone:	035220882569	
Tarif:	Prix d'un appel local	
Heures d'ouverture:	Lundi - Vendredi	8.00 - 18.00

MAGYARORSZÁG

Telefon szám:	(06-1)-3285308	
Tarifa:	Helyi tarifa	
Nyitvatartási idő:	Hétfőtől - Péntekig	8.00 - 20.00

NEDERLAND

Telefoon:	0900-235 45 32 en/of 0900 BEL IKEA 0031-50 316 8772 international	
Tarief:	Geen extra kosten. Alleen lokaal tarief.	
Openingstijd:	Maandag t/m - Vrijdag	8.00 - 21.00
	Zaterdag	9.00 - 21.00
	Zondag / Feestdagen	10.00 - 18.00



175

NORGE

Telefon nummer:	23500112	
Takst:	Lokal takst	
Åpningstider:	Mandag - Fredag	8.00 - 20.00

ÖSTERREICH

Telefon-Nummer:	01360 2771461	
Tarif:	Ortstarif	
Öffnungszeiten:	Montag - Freitag	8.00 - 20.00

POLSKA

Numer telefonu:	225844203	
Stawka operatora:	Koszt połączenia według taryfy	
Godziny otwarcia:	Poniedziałek - Piątek	8.00 - 20.00

PORTUGAL

Telefone:	213164011	
Tarifa:	Tarifa local	
Horario:	Segunda - Sexta	9.00 - 21.00

REPUBLIC OF IRELAND

Phone number:	016590276	
Rate:	Local Rate:	
Opening hours:	Monday - Friday	8.00 - 20.00

ROMÂNIA

Număr de telefon:	021 2044888	
Tarif:	Tarif local	
Orar:	Luni - Vineri	8.00 - 20.00

РОССИЯ

Телефонный номер:	84957059426	
Стоимость звонка:	Местная стоимость звонка	
Время работы:	Понедельник - Пятница	9.00 - 21.00 (Московское время)

SCHWEIZ - SUISSE - SVIZZERA

Telefon-Nummer/Numéro de téléphone/Telefono:	0225675345	
Tarif/Tarif/Tariffa:	Ortstarif/Prix d'un appel local/Tariffa locale	
Öffnungszeiten:	Montag - Freitag	7.30-12.00/13.00-17.30
Heures d'ouverture:	Lundi - Vendredi	7.30-12.00/13.00-17.30
Orario d'apertura:	Lunedì - Venerdì	7.30-12.00/13.00-17.30

SLOVENSKO

Telefónne číslo:	(02) 50102658	
Cena za hovor:	Cena za miestny hovor	
Pracovná doba:	Pondelok až piatok	8.00 - 20.00

SLOVENIJA

<http://www.ikea.com>

SRBIJA

Broj telefona:	011 7 555 444	
stopa:	lokalna kurs	
Radno vreme:	Ponedeljak - subota	9.00 - 20.00
	nedelja	9.00 - 18.00

SUOMI

Puhelinnumero:	0981710374	
Hinta:	Yksikköhinta	
Aukioloaika:	Maanantaista perjantaihin	8.00 - 20.00

SVERIGE

Telefon nummer:	0775-700 500	
Taxa:	Lokal samtal	
Öppet tider:	Måndag - Fredag	8.30 - 20.00
	Lördag - Söndag	9.30 - 18.00

UNITED KINGDOM

Phone number:	02076601517	
Rate:	Local rate	
Opening hours:	Monday - Friday	8.30am - 6.30pm
	Saturday	8.30am - 5.30pm
	Sunday	9.30am - 3.30pm

