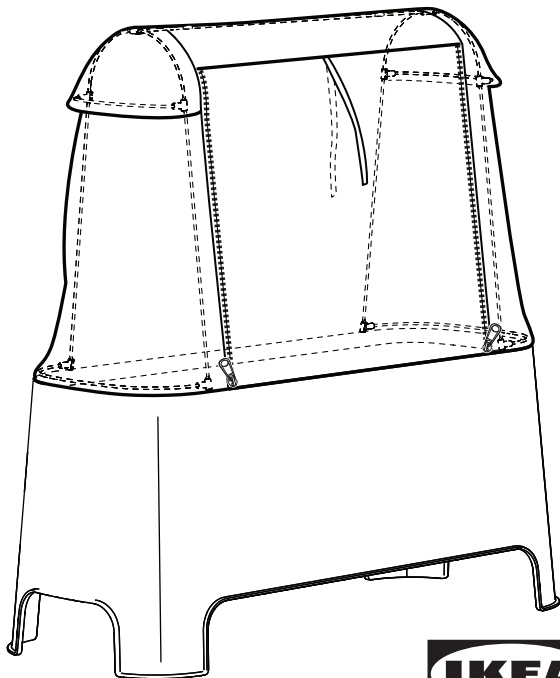
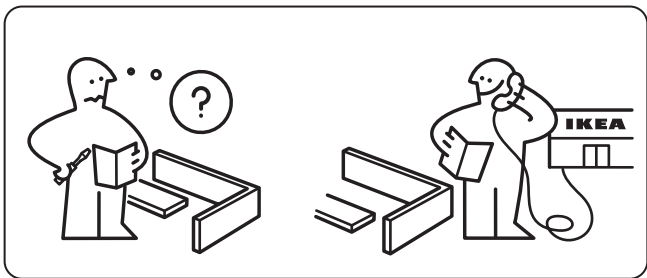


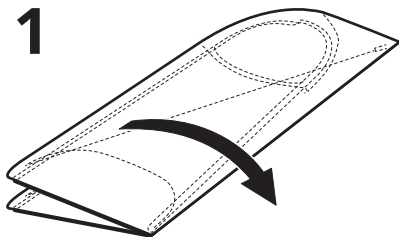
ASPAREN



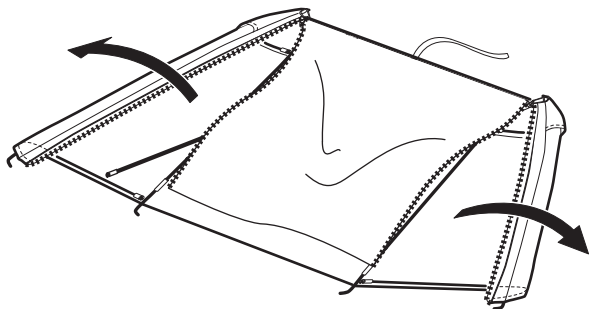
Design and Quality
IKEA of Sweden



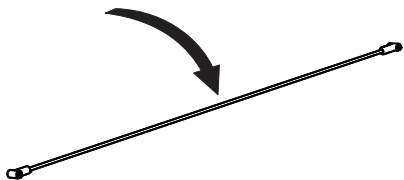
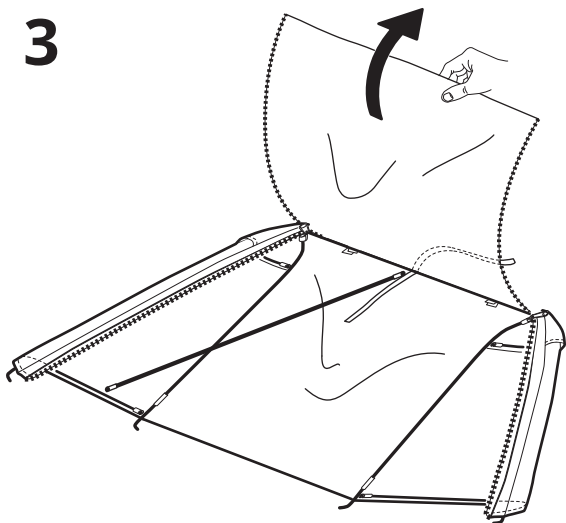
1



2



3

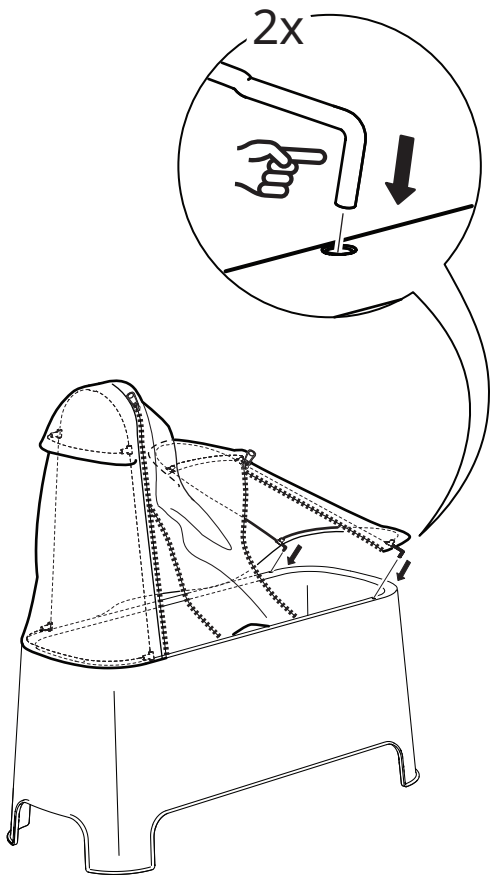


4

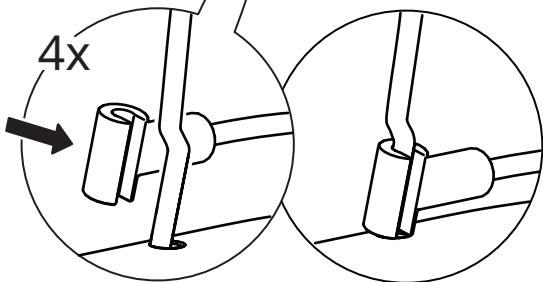
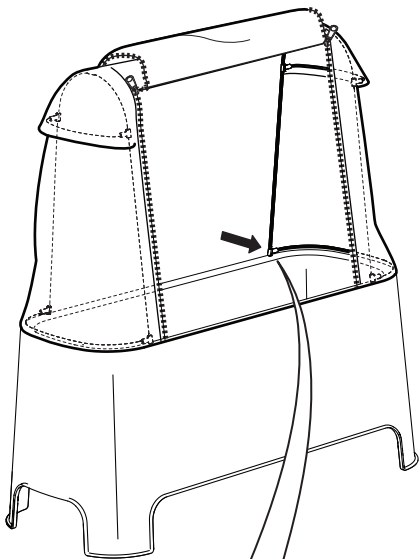
2x



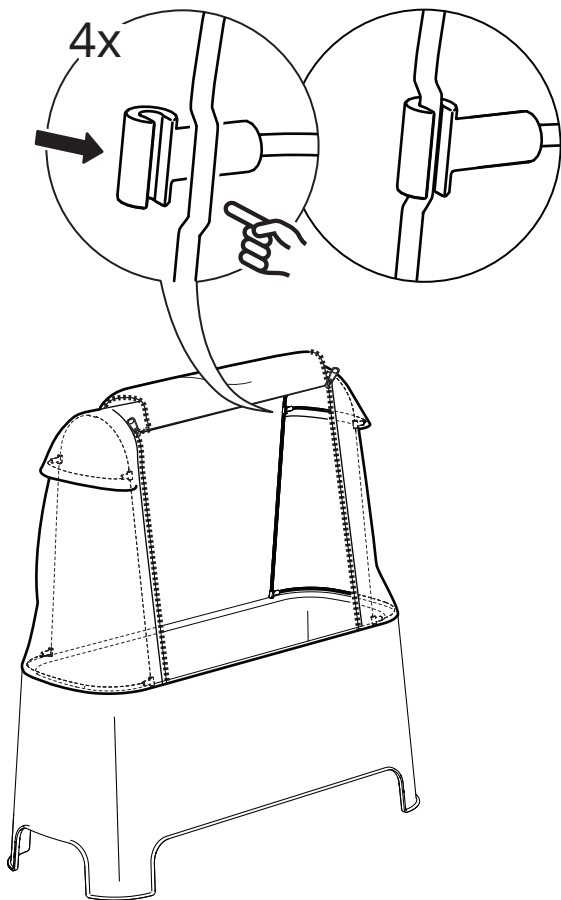
5



6

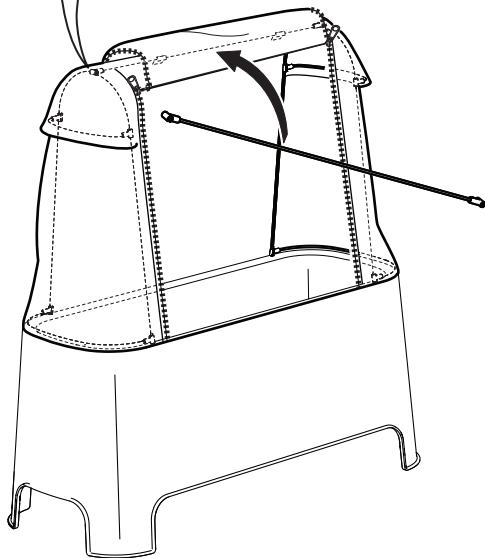
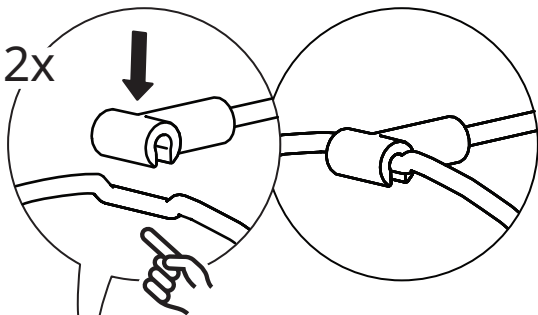


7

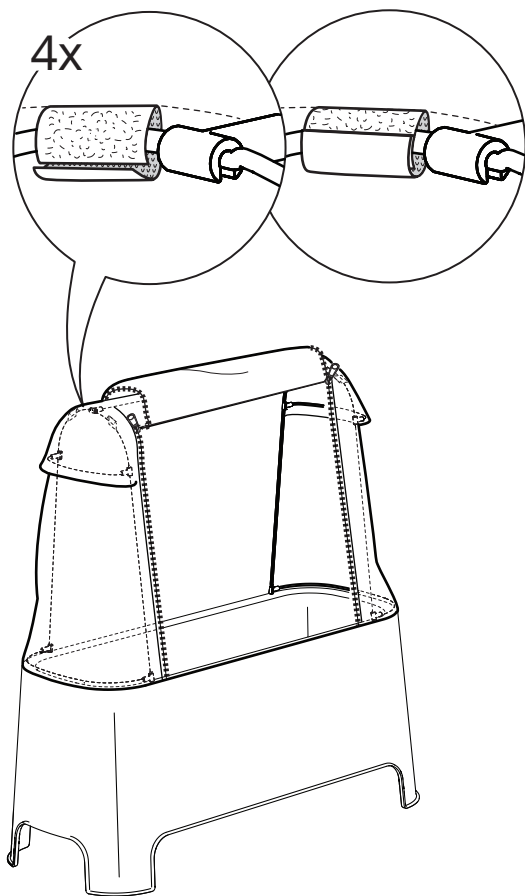


8

2x



9



10

2x

