

MÅNGSBO

en
de
fr
it
da
no
fi
sv
is
pt
es
el
nl
cs
pl
ru
sk
lt
lv
et
uk
hr
sr
sl
tr
bg
ro
hu
ar



Design and Quality
IKEA of Sweden

ENGLISH	7
DEUTSCH	20
FRANÇAIS	35
ITALIANO	49
DANSK	63
NORSK	76
SUOMI	89
SVENSKA	102
ÍSLENSKA	115
PORTUGUÊS	128
ESPAÑOL	142
ΕΛΛΗΝΙΚΑ	156
DUTCH	170
ČESKY	184
POLSKI	197
РУССКИЙ	211
SLOVENSKÝ	225
LIETUVIŲ K.	238
LATVIEŠU	251
EESTI	264
УКРАЇНСЬКА	277
HRVATSKI	291
СРПСКИ	304
SLOVENSKO	318
TÜRKÇE	331
БЪЛГАРСКИ	344
ROMÂNĂ	358
MAGYAR	371
العربية	385



Please refer to the last page of this manual for the full list of IKEA appointed Authorized Service Centre and relative national phone number.



Se sista sidan i denna bruksanvisning för en fullständig lista över IKEA:s auktoriserade serviceverkstäder och motsvarande nationella telefonnummer.



Konsultieren Sie die letzte Seite dieser Bedienungsanleitung, auf der die vollständige Liste der nationalen autorisierten IKEA Kundendienststellen mit den entsprechenden Telefonnummern aufgelistet ist.



Á öftustu síðu þessarar handbókar er að finna lista yfir allar viðurkenndar þjónustudeildir IKEA og símanúmer þeirra í hverju landi.



Consultez la dernière page de ce manuel contenant la liste complète des services Après-vente agréés IKEA avec les numéros de téléphone nationaux correspondants.



Consulte a última página deste manual para obter a lista completa dos Centros de Assistência IKEA Autorizados e os respectivos números de telefone nacionais.



Consultare l'ultima pagina di questo manuale dove è riportato l'elenco completo dei Centri Assistenza IKEA Autorizzati con i relativi numeri telefonici nazionali.



Consultar la última página de este manual donde se indica la lista completa de Centros de Asistencia IKEA Autorizados con sus números de teléfono nacionales.



Se sidste side i denne vejledning, hvor der findes en liste over IKEAs nationale autoriserede servicecentre og telefonnumre.



Στην τελευταία σελίδα του φυλλαδίου θα βρείτε τον πλήρη κατάλογο των εξουσιοδοτημένων Κέντρων Σέρβις IKEA με τον αριθμό τηλεφώνου της κάθε χώρας.



Se siste side i denne veiledningen hvor det finnes en komplett liste over godkjente IKEA servicecenter med tilhørende nasjonale telefonnummer.



Op de laatste bladzijde van deze handleiding vindt u de complete lijst van de door IKEA erkende servicebedrijven met de bijbehorende nationale telefoonnummers.



Katso tämän käyttöoppaan viimeistä sivua, jolla näkyy kaikkien valtuutettujen IKEA-huoltoliikkeiden luettelo puhelinnumeroineen.



Konzultujte poslední stránku této příručky, kde je uveden kompletní seznam autorizovaných servisních středisek IKEA a příslušných národních telefonních čísel.



Na ostatniej stronie niniejszej instrukcji zawarto kompletną listę Autoryzowanych Centrów Serwisowych IKEA wraz z odnośnymi numerami telefonów.



Pogledajte zadnju stranicu ovog priručnika, na kojoj se nalazi kompletan popis ovlašćenih servisnih centara IKEA s pripadajućim brojevima telefona za svaku državu.



На последней странице руководства приведен полный перечень официальных сервисных центров IKEA с номерами телефонов для каждой страны.



Погледајте на задњој страни овог приручника комплетну листу IKEA овлашћених сервисних центара и њихове локалне телефонске бројеве.



Pozrite si poslednú stranu tejto príručky, kde je uvedený kompletný zoznam Autorizovaných servisných stredísk IKEA s príslušnými vnútroštátnymi číslami.



Oglejte si zadnju stran tega priručnika, na kateri je naveden celoten seznam pooblaščenih serviserjev IKEA z ustreznimi telefonskimi številkami.



Norėdami surasti visą IKEA paskirtų įgaliotų priežiūros centrų sąrašą ir atitinkamą šalies telefono numerį, žiūrėkite paskutinį šio vadovo puslapį.



İlgili ulusal telefon numaraları ile birlikte, IKEA Yetkili Servis Merkezlerinin tam listesinin de bulunduğuş bu kılavuzun son sayfasına bakın.



Lūdzu skatīt šīs brošūras pēdējo lapu attiecībā uz IKEA pilno sarakstu, ko noteicis Sankcionētais tehniskās apkalpošanas centrs, un atbilstošo nacionālo tālruna numuru.



Вижте последната страница на това ръководство за пълния списък на определените от IKEA оторизирани сервисни центрове и телефонните номера в съответната страна.



IKEA määratud volitatud hoolduskeskused ja vastavad riiklikud telefoninumbrid leiab käesoleva käsiraamatu viimaselt leheküljelt.



Consultați ultima pagină din acest manual, unde se prezintă lista completă a Centrelor de Asistență Autorizate IKEA, cu numerele de telefon naționale aferente.



Ознайомтеся з останньою сторінкою цього посібника, яка містить повний список авторизованих центрів підтримки IKEA з відповідними номерами телефонів у країні.



A jelen útmutató utolsó oldalán található a hivatalos IKEA márkaszervizek teljes listája az adott országra vonatkozó telefonszámokkal együtt.



يرجى الرجوع إلى الصفحة الأخيرة
من هذا الدليل للاطلاع على قائمة
كاملة بأسماء مراكز الخدمة
المعتمدة من ايكيا وأرقام الهاتف
المحلية الخاصة بها

Contents

Safety information	7	What to do if...	14
General information	10	Technical data	15
Product description	11	Energy efficiency	16
Control panel	11	Environmental aspects	17
General tips	12	IKEA warranty	18
Cleaning and maintenance	12		

Safety information


i For your own safety and correct operation of the appliance, please read this manual carefully before installation and operation. Always keep these instructions together with the appliance, even if it is sold or transferred to third parties. It is important that users are familiar with all the appliance's operating and safety characteristics.

! Connection of the wiring must be performed by a specialist technician.


- The manufacturer cannot be held responsible for any damage resulting from incorrect or inadequate installation.
- The minimum safety distance between the cooker hob and the extractor hood is: 500mm for electrical hob and 650mm for gas hob.
- If the gas hob installation instructions specify a distance greater than that indicated above, this must be taken into account.
- Check that the mains voltage corresponds to that indicated on the rating plate fixed to the inside of the hood.
- The cut-out devices must be installed in the fixed system ac-

ording to the wiring system regulations.


- For Class I appliances, check that the domestic power supply has a suitable earthing connection.
- Connect the hood to the flue with a pipe with a minimum diameter of 150 mm. The fume path must be as short as possible.
- All the regulations regarding air discharge must be complied with.
- Do not connect the extractor hood to exhaust ducts carrying combustion fumes (boilers, fireplaces, etc.).
- If the extractor is used in conjunction with non-electrical appliances (e.g. gas burning appliances), a sufficient degree of ventilation must be guaranteed in the room in order to prevent the backflow of exhaust gas. When the cooker hood is used in conjunction with appliances supplied with energy other than electricity, the negative pressure in the room must not exceed 4 Pa mbar to prevent fumes being drawn back into the room by the cooker hood.
- The air must not be discharged into a flue that is used for exhausting fumes from appliances burning gas or other fuels.
- The power cord, if damaged, must be replaced by the manufacturer or by a service technician.
- Connect the plug to a socket complying with current regulations, located in an accessible place.
- Regarding the technical and safety measures to be adopted for fume discharging it is important to strictly follow the regulations provided by the local authorities.

 **WARNING:** Before installing the hood, remove the protective films.

- Use only screws and small parts of a type suitable for the hood.

 **WARNING:** failure to install the screws or fixing devices in accordance with these instructions may result in electrical hazards.

- Connect the hood to the power supply by means of a bipolar switch with a distance between the contacts of at least 3 mm.
- Do not look directly at the light through optical devices (binoculars, magnifying glasses...).
- Do not flambé under the hood; risk of fire.
- This appliance can be used by children aged from 8 years and above and by persons with reduced physical, sensory or mental capabilities or lacking in experience and knowledge if they have been given supervision or instruction concerning use of the appliance in a safe way and if they understand the hazards involved. Children must not play with the appliance. Cleaning and maintenance by the user must not be performed by children, unless they are supervised.
- Children should be supervised to ensure that they do not play with the appliance.
- The appliance is not to be used by persons (including children) with reduced physical, sensory or mental capabilities, or lacking in experience and knowledge, unless they have been given supervision or instruction.

 The accessible parts may become hot when used with cooking appliances

- Clean and/or replace the filters after the time specified (fire hazard).
- There must be adequate ventilation of the room when the hood is used at the same time as appliances burning gas or other fuels (not applicable to appliances that only discharge the air back into the room).
- Kitchen hoods and other cooking fume extractors can affect

the safe operation of appliances which burn gas or other fuels (including those in other rooms) due to the backflow of combustion gases. These gases can cause carbon monoxide poisoning. After installing a kitchen extractor hood or any other cooking fume extractor, make sure that the gas appliances are tested by a certified technician to guarantee that there is no backflow of combustion gases.

General information

Use

- Switch off or unplug the appliance from the mains supply before carrying out any maintenance work.
- The top of the hood must not be used as a shelf.
- The extractor hood has been designed exclusively to eliminate cooking smells in domestic use.
- Never use the extractor hood for purposes other than those for which it was designed.
- Never leave high flames under the extractor hood when it is on.
- Adjust the flame intensity to direct it onto the bottom of the pan only, making sure that it does not engulf the sides.
- Deep fat fryers must be continuously monitored during use: overheated oil can burst into flames.

Installation method

The hood has been designed for installation and use in the "suction version" or in the "air recirculation version".



Extraction version (see symbol in the installation instructions)

Cooking steam is suctioned and channelled outside the house through a discharge duct (not supplied), fitted to the hood steam outlet. Make sure that the outlet duct is properly installed at the air outlet, using a suitable connection system.



Air recirculation version (see symbol in the installation instructions)

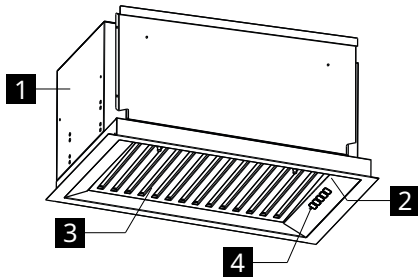
The air is filtered through one or more carbon filters, and then resent into the room.

Important: Ensure appropriate air circulation around the hood.

Important: If the hood is supplied without carbon filters and installed on recirculation mode, these must be fitted before the hood can be used. The filters are commercially available.

The hood should be installed away from particularly dirty areas, windows, doors and heat sources. Wall mounting accessories are not included as they vary depending on the wall material. Use fixing systems suitable for the walls of your home and for the weight of the appliance. For further details, contact a specialist dealer. Keep this booklet for future consultation.

Product description



- 1 Hood body
- 2 Lighting
- 3 Grease filter
- 4 Control panel

Control panel

Key	Key press	Function	LED
A Speed	Short	Turns the motor on/off at speed one.	On or Off
B Speed	Short	Starts the motor at the second speed. The Key A must be selected.	A + B are on
C Speed	Short	Starts the motor at the third speed. The Key A must be selected.	A + C are on
D Speed	Short	Turns the motor on at Booster speed. This speed is timed for 6 minutes. At the end of this time, the system returns automatically to the speed that was set before. If it is activated with the motor turned off, it will switch to OFF at the end of the time. To deactivate it, press button A,B or C. The Key A must be selected.	A On D Flashing
E Light	Short	Turns the lighting system on and off at maximum intensity.	On or Off
	Long	Increases or decreases the lighting intensity.	On or Off

General tips

- Operate the hood at minimum speed at the start of cooking and keep it running for a few minutes after cooking is finished.
- Only increase the speed in the presence of large quantities of smoke and steam and only use the booster speed(s) in extreme situations.
- Replace the filter or carbon filters when necessary to maintain good odour reduction efficiency.
- Clean the grease filter or filters when necessary to maintain good grease absorption efficiency.
- Use the maximum diameter of the ducting indicated in this manual to optimise efficiency and to minimise noise.

Cleaning and maintenance

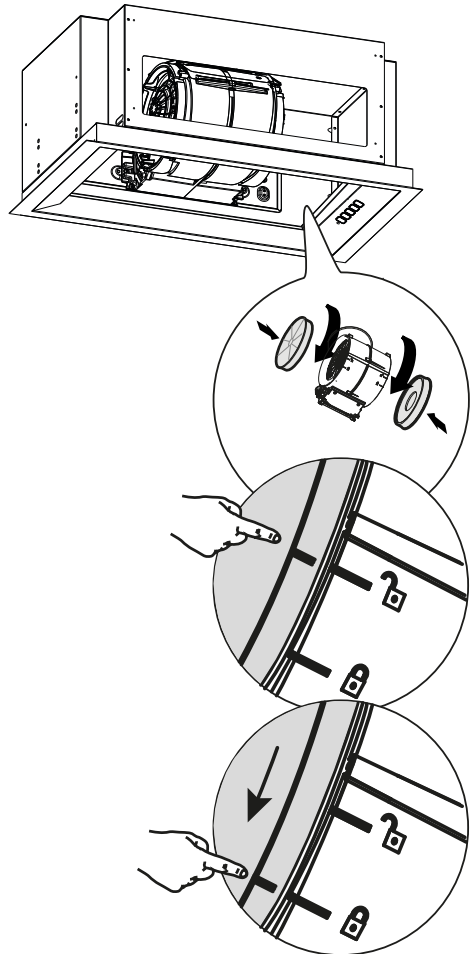


Switch off or unplug the appliance from the mains supply before carrying out any maintenance work.

IMPORTANT: Clean the hood using a damp cloth and a neutral liquid detergent.

Long-life carbon filter (Green)

The odour filter can be washed and regenerated every 3-4 months (or more frequently if the hood is subject to intensive use), up to a maximum of 8 regeneration cycles (in case of particularly intensive use it is recommended that you do not exceed 5 cycles).



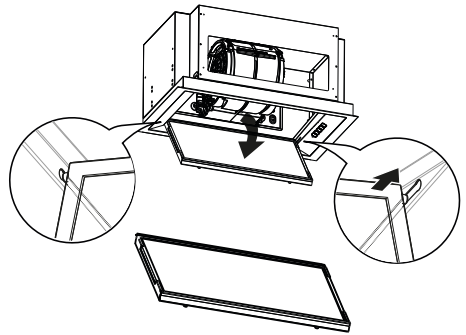
Regeneration procedure

- Wash in the dishwasher at a MAX temperature of 70° or hand wash in hot water without using abrasive sponges (do not use detergents!).
- Dry in the oven at a MAX temperature of 70° for 2 hours (it is advisable to carefully read the user manual and the assembly instructions of the oven you own).

Grease filters

Continue to clean or replace the filters at the scheduled intervals to keep the hood in good working order and avoid the potential risk of fire due to the excessive build-up of grease. The grease filters must be cleaned after every 2 months of operation or more frequently in

the case of very intense use and are dishwasher safe.

**Light replacement**

For replacement, contact an Authorised Service Centre.

What to do if...

If there is a fault, first try to find a solution yourself. If you are unable to resolve the problem yourself, contact an authorised service centre.

i In the event of improper use of the appliance or installation carried out without respecting the assembly instructions, it may be necessary to pay for the visit of an Authorised Service Centre technician, even during the warranty period.

PROBLEM	POSSIBLE CAUSE	SOLUTION
The device is not stable.	The appliance has not been installed correctly.	Follow the installation instructions supplied with the appliance.
The appliance is not level.	The appliance has not been installed correctly.	Follow the installation instructions supplied with the appliance.
The performance in terms of grease capture is not satisfactory.	Presence of oil and grease on the metal filters or on the carbon filters.	Observe the cleaning frequency of the filters as described in the user manual.
The appliance does not work.	The device has not been connected correctly.	Check that the mains cable is connected to the motor unit or that the plug is connected to the socket.
The light doesn't work.	The LED is broken.	For replacement, contact an Authorised Service Centre.
The hood is noisier than the customer's expectations.	The diameter of the air vent in the wall is too small and causes the pressure to drop and the motor speed to increase.	Follow the installation instructions supplied with the appliance.
	The product is installed in recirculation mode.	The product in recirculation mode (and with the carbon filter fitted) is noisier than a product in suction mode.
	The ventilation duct has more than one bend.	If the fume evacuation system of the building has multiple bends or covers a long distance, the product may be noisier.

Before contacting the Authorised Service Centre:

Turn the power back on to check whether the problem has disappeared. If this is not the case, turn it off and repeat the operation after one hour. If the appliance still does not work correctly after carrying out the checks listed

in the troubleshooting guide and turning the appliance back on, contact the Authorised Service Centre clearly explaining the problem and specifying:

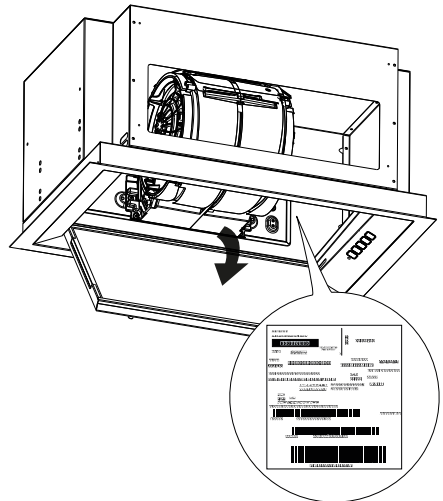
- the type of fault;
- the model;
- the type and serial number of the appliance (indicated on the data plate).

Technical data

		Unit	Value
Type of product			Built-In Hob
Dimensions	Width	mm	599
	Depth	mm	358
	Min./max. height	mm	290
Max air flow* - Output		m3/h	450
Noise max* - Exhaust		dBA	55
Airflow max* - Recirculating		m3/h	250
Noise max* - Recirculating		dBA	66
Total power		W	144
Information on the light	Type		LED Bar
	Number and power		3.8 W
	Connection		N/A
Minimum installation height - gas hob		mm	650
Minimum installation height - electric hob		mm	500
Net weight		Kg	8
* Maximum speed (without booster setting)			

This appliance has been designed, manufactured and sold in compliance with the EEC directives **CE**.

The technical data are shown on the plate applied inside the appliance.



Energy efficiency

Product information according to EU regulation No. 66/2014	Unit	Value
Supplier's name	IKEA	
Model id	MÅNGSBO 906.091.16 106.176.10 906.176.11	
Annual energy consumption	kWh/a	26.9
Time increase factor		0.5
Fluid dynamics efficiency		40.5
Energy efficiency index		29.9
Air flow measured at the optimum efficiency point	m ³ /h	410
Air pressure measured at the optimum efficiency point	Pa	469
Maximum air flow	m ³ /h	450
Electrical power supply measured at the optimum efficiency point	W	132
Nominal power of the lighting system	W	3.8
Average illumination of the lighting system on the cooking surface	Lux	275
Current consumption measured in standby	W	0.49
Current consumption measured when off	W	0.0
Maximum sound level (without booster setting)	dB(A)	66

Reference standards:

EN/IEC 61591
EN/IEC 60704-1
EN/IEC 60704-2-13
EN/IEC 60704-3
EN 50564

Energy saving

The appliance includes features that help save energy during everyday cooking.

Environmental aspects

Information on disposal

Your obligations as an end-user



This electrical or electronic equipment is marked with a crossed-out wheeled bin. The equipment may therefore only be collected and returned separately from unsorted municipal waste, i.e. it must not be disposed of with household waste. The equipment can be returned, for example, to a municipal collection point or, if applicable, to a distributor (see below for their take-back obligations in Germany). This also applies to all components, subassemblies and consumables of the old equipment to be disposed of.

Before the old equipment may be disposed of all old batteries and old accumulators that are not enclosed by the old equipment must be separated from the old equipment. The same applies to lamps that can be removed from the old equipment without destroying them. The end-user is also responsible for deleting personal data from the old equipment.

Notes on recycling



Help recycle all materials marked with this symbol. Do not dispose of such materials, especially packaging, in the household waste but via the relevant containers provided or the appropriate local collection systems.

Help to protect the environment and human health by recycling including waste of electrical and electronic appliances.

The following additional information applies in Germany.

Take-back obligations of distributors

Anyone who sells electrical and electronic equipment on a sales floor area of at least 400 m² or otherwise supplies it to end users on a commercial basis is obliged, when

supplying a new equipment, to take back at the place of supply or in the immediate vicinity thereof free of charge an old equipment belonging to the end user of the same type of equipment which fulfils essentially the same functions as the new equipment. This also applies to distributors of groceries with a total sales area of at least 800 m² who offer electrical and electronic equipment several times a calendar year or on a permanent basis and make it available on the market. In addition, such distributors must, at the request of the end-user, take back in the retail shop or in the immediate vicinity free of charge old equipment that does not exceed 25 cm in any external dimension (small electrical equipment) thereof; in this case, take-back may not be linked to the purchase of an electrical or electronic equipment but may be limited to three old equipment per type of equipment.

The place of delivery is also the private household if the new electrical or electronic equipment is delivered; in this case the collection of the old equipment is free of charge for the end user.

The above obligations also apply to distribution using means of distance communication if the distributors maintain storage and dispatch areas for electrical and electronic equipment or total storage and dispatch areas for groceries that correspond to the sales areas mentioned above. However, the free collection of electrical and electronic equipment is then restricted to heat transmitters (e.g. refrigerators), screens, monitors and equipment containing screens with a surface area of more than 100 cm² and equipment where at least one of the external dimensions is more than 50 cm. For all other electrical and electronic equipment the distributor must ensure appropriate return facilities within a reasonable distance from the respective end-user; this also applies to

small electrical equipment (see above) that

the end-user wishes to return without purchasing a new equipment.

IKEA warranty

How long is the IKEA guarantee valid for?

This guarantee is valid for five (5) years from the original date of purchase of your appliance at IKEA. The original sales receipt is required as a proof of purchase. If service work is carried out under guarantee, this will not extend the guarantee period for the appliance.

Who will execute the service?

IKEA service provider will provide the service through its own service operations or authorized service partner network.

What does this guarantee cover?

The guarantee covers faults of the appliance, which have been caused by faulty construction or material faults from the date of purchase from IKEA. This guarantee applies to domestic use only. The exceptions are specified under the headline "What is not covered under this guarantee?". Within the guarantee period, the costs to remedy the fault e.g. repairs, parts, labour and travel will be covered, provided that the appliance is accessible for repair without special expenditure. On these conditions the respective local regulations are applicable. Replaced parts become the property of IKEA.

How will IKEA intervene to solve the problem?

IKEA appointed Service Provider will examine the product and decide, at its sole discretion, if it is covered under this guarantee. If considered covered, IKEA Service Provider or its authorized service partner through its own service operations, will then, at its sole discretion, either repair the defective product or replace it with the same or a comparable product.

What is not covered under this guarantee?

- Normal wear and tear.

- Deliberate damage or due to negligence, damage caused by failure to follow the operating instructions, improper installation or connection to the incorrect voltage, damage caused by chemical or electro-chemical reactions, rust, corrosion or water damage, including but not limited to damage caused by excessive limescale in the water pipes, and damage caused by weather and natural events.
- Consumable parts including batteries and lamps.
- Non-functional and decorative parts which do not affect normal use of the appliance, including any scratches and possible color differences.
- Accidental damage caused by foreign objects or substances and cleaning or unblocking of filters, drainage systems or soap drawers.
- Damage to the following parts: ceramic glass, accessories, crockery and cutlery baskets, feed and drainage pipes, seals, lamps and lamp covers, screens, knobs, casings and parts of casings. Unless such damages can be proved to have been caused by production faults.
- Cases where no fault could be found during a technician's visit.
- Repairs not carried out by the IKEA-appointed service provider or by an authorised service partner, or repairs where non-original parts have been used.
- Repairs caused by installation which is faulty or not according to specification.
- The use of the appliance in a non-domestic environment i.e. professional use.
- Damage due to transportation. If the customer transports the appliance to his/her home or to another address, IKEA cannot be held responsible for any damage which occurs during transportation. However, if transportation to the customer's address is carried out by IKEA, any damage due to

transportation will be covered by this warranty.

- Cost for carrying out the initial installation of the IKEA appliance. If an IKEA-appointed service provider or its authorised service partner repairs or replaces the equipment under the warranty, in any case the supplier or authorised service partner must also reinstall the repaired appliance or the replacement appliance, where necessary.

These limitations do not apply to work carried out properly by qualified personnel and using original parts to adapt the appliance to the safety standards of another EU country.

How country law applies

The IKEA guarantee gives you specific legal rights, which cover or exceed all the local legal demands. These conditions do not, however, in any way limit the consumer's rights outlined in the local legislation.

Area of validity

For household appliances purchased in an EU country and transferred to another EU country, the services will be provided under the warranty conditions which apply in the new country. An obligation to carry out services in the framework of the guarantee exists only if the appliance complies and is installed in accordance with:

- the technical specifications of the country in which the guarantee claim is made;
- the Assembly Instructions and User Manual Safety Information.

The dedicated AFTER SALES for IKEA appliances:

Please don't hesitate to contact IKEA appointed Authorized Service Centre to:

1. make a service request under this guarantee;
2. ask for clarifications on installation of the IKEA appliance in the dedicated IKEA kitchen furniture. The service will not provide support or clarifications about:
 - the installation of complete IKEA kitchens;
 - electrical connections (if the appliance is

supplied without cables and plugs), hydraulic connections and connections to the gas supply that must be carried out by an authorised service technician.

3. ask for clarification on the contents of the user manual and specifications of the IKEA appliance.

To ensure that we provide you with the best assistance, please read carefully the Assembly Instructions and/or the User Manual before contacting us.

How to reach us if You need our service



Consult the complete list of IKEA service providers and relevant local phone numbers on the last page of this manual.

Important! To ensure faster service, we recommend that you use the telephone numbers listed at the end of this manual. To request support, always refer to the specific appliance codes indicated in this manual. Before calling us, assure that You have to hand the IKEA article number (8 digit code) and the Serial Number (8 digit code that can be found on the rating plate) for the appliance of which you need our assistance.

Important! SAVE THE SALES RECEIPT!

It is your proof of purchase and required for the guarantee to apply. Note that the receipt reports also the IKEA article name and number (8 digit code) for each of the appliances you have purchased.

Do you need extra help?

For any additional questions not related to After Sales of your appliances please contact your nearest IKEA store call centre. We recommend you read the appliance documentation carefully before contacting us.

Inhalt

Sicherheitsinformationen	20	Was ist zu tun, wenn...	28
Allgemeine Informationen	24	Technische Daten	29
Produktbeschreibung	25	Energie-Effizienz	30
Bedienfeld	25	Umweltaspekte	31
Allgemeine Empfehlungen	26	IKEA Garantie	32
Reinigung und Wartung	26		

Sicherheitsinformationen

i Für die eigene Sicherheit und die korrekte Funktion des Geräts diese Betriebsanleitung bitte sorgfältig durchlesen, bevor es installiert und in Betrieb genommen wird. Die Bedienungsanleitung stets zusammen mit dem Gerät verwahren, auch wenn es an Dritte weitergeben oder übertragen wird. Es ist wichtig, dass die Benutzer mit allen Funktions- und Sicherheitsmerkmalen des Gerätes vertraut sind.

! Die Kabel müssen von einem zuständigen Fachmann angeschlossen werden.

- Der Hersteller haftet nicht für etwaige Schäden, die durch die fehlerhafte Installation oder falschen Gebrauch entstehen könnten.
- Der Mindestsicherheitsabstand zwischen Kochfeld und Dunstabzugshaube beträgt 500 mm für Elektrodunstabzugshauben und 650 mm für Gasdunstabzugshauben.
- Wenn in der Installationsanleitung des Gaskochfelds ein größerer Abstand als der oben genannte angegeben ist, muss dies berücksichtigt werden.
- Überprüfen Sie, ob die Netzspannung mit der auf dem Typen-

schild an der Innenseite der Haube angegebenen Spannung übereinstimmt.

- Trennvorrichtungen müssen in Übereinstimmung mit den Verkabelungsvorschriften in die fixe Anlage eingebaut werden.
- Für Geräte der Klasse I muss sichergestellt werden, dass die häusliche Stromversorgung über eine angemessene Erdung verfügt.
- Schließen Sie die Abzugshaube mit einem Rohr mit einem Mindestdurchmesser von 150 mm an den Schornstein an. Der Rauchweg muss so kurz wie möglich sein.
- Alle Vorschriften zur Abluft müssen eingehalten werden.
- Schließen Sie die Dunstabzugshaube nicht an Rauchkanäle an, die Verbrennungsdämpfe führen (z.B. von Heizkesseln, Schornsteinen usw.).
- Wenn die Dunstabzugshaube in Kombination mit nicht-elektrischen Geräten (z.B. Gasgeräten) verwendet wird, muss eine ausreichende Belüftung des Raumes gewährleistet sein, um einen Rückfluss der Abgase zu verhindern. Wenn die Dunstabzugshaube in Kombination mit Geräten verwendet wird, die nicht mit Strom betrieben werden, darf der Unterdruck im Raum 4 Pa nicht überschreiten, um zu verhindern, dass Dämpfe von der Haube zurück in den Raum gezogen werden.
- Die Luft darf nicht durch einen Kanal abgesaugt werden, der für die Ableitung von Abgasen aus mit Gas oder anderen Brennstoffen betriebenen Verbrennungsgeräten verwendet wird.
- Wenn das Gerätekabel beschädigt ist, muss es vom Hersteller oder von einem Kundendiensttechniker ersetzt werden.
- Den Stecker in eine den einschlägigen Vorschriften entsprechende zugängliche Steckdose stecken.
- Was die technischen und sicherheitstechnischen Maßnahmen

für den Rauchabzug anbelangt, so ist es wichtig, dass Sie sich streng an die von den örtlichen Behörden erlassenen Vorschriften halten.

⚠️ WARNUNG: Entfernen Sie die Schutzfolien, bevor Sie die Haube montieren.

- Verwenden Sie nur Schrauben und Kleinteile, die für die Haube geeignet sind.

⚠️ HINWEIS: Die mangelnde Verwendung von Schrauben und Befestigungselementen gemäß der vorliegenden Anleitung kann zu Stromschlaggefahr führen.

- Schließen Sie die Dunstabzugshaube über einen zweipoligen Schalter mit einem Kontaktabstand von mindestens 3 mm an das Stromnetz an.
- Nicht direkt mit optischen Instrumenten (Fernglas, Lupe, usw.) in das Licht schauen.
- Flambieren Sie nicht unter der Haube: es könnte ein Brand entstehen.
- Dieses Gerät darf von Kindern ab 8 Jahren und von Personen mit beschränkten geistigen, physischen oder sensorischen Fähigkeiten oder mangels Erfahrung und/oder mangels Wissen benutzt werden, vorausgesetzt, sie werden aufmerksam beaufsichtigt oder über den sicheren Gebrauch des Geräts und die damit verbundenen Gefahren eingewiesen. Sicherstellen, dass Kinder nicht mit dem Gerät spielen. Vom Benutzer auszuführende Reinigungs- und Wartungsarbeiten dürfen nicht von Kindern ausgeführt werden, sofern sie nicht dabei beaufsichtigt werden.
- Kinder müssen beaufsichtigt werden, damit sichergestellt wird, dass sie nicht am Gerät spielen.
- Dieses Gerät darf nicht von Personen (einschließlich Kindern) mit beschränkten geistigen, physischen oder sensorischen Fä-

higkeiten oder mangels Erfahrung und/oder mangels Wissen benutzt werden, außer sie werden aufmerksam beaufsichtigt und eingewiesen.

⚠ Zugängliche Teile können bei der Verwendung von Kochgeräten sehr heiß werden

- Reinigen und/oder ersetzen Sie die Filter nach der angegebenen Zeit (Brandgefahr).
- Der Raum muss ausreichend belüftet sein, wenn die Abzugshaube gleichzeitig mit Geräten verwendet wird, die mit Gas oder anderen Brennstoffen betrieben werden (gilt nicht für Geräte, die nur Luft in den Raum abführen).
- Die Dunstabzugshauben und andere Wrasenabzüge können den sicheren Betrieb von Geräten, die Gas oder andere Brennstoffe verbrennen (darin eingeschlossen sind die in anderen Räumen), auf Grund des Rückstromes der Verbrennungsgase beeinträchtigen. Diese Gase können eine Kohlenstoffmonoxidvergiftung provozieren. Vergewissern Sie sich nach dem Einbau einer Dunstabzugshaube oder eines anderen Wrasenabzuges, dass die Gasgeräte von kompetenten Personen getestet werden, um zu garantieren, dass es zu keinem Rückstrom der Verbrennungsgase kommt.

Allgemeine Informationen

Gebrauch

- Vor Reinigungs- oder Wartungsarbeiten am Gerät muss dieses ausgeschaltet und spannungslos gemacht werden.
- Die Dunstabzugshaube darf nicht als Arbeitsplatte verwendet werden.
- Die Dunstabzugshaube ist ausschließlich für die Beseitigung von Kochgerüchen im Haushalt bestimmt.
- Verwenden Sie die Dunstabzugshaube niemals für andere Zwecke als die, für die sie konzipiert wurde.
- Lassen Sie niemals hohe Flammen unter der Dunstabzugshaube, wenn diese in Betrieb ist.
- Stellen Sie die Intensität der Flamme so ein, dass sie nur auf den Boden des Kochgefäßes gerichtet ist und sich nicht um die Seiten wickelt.
- Fritteusen müssen während des Betriebs ständig kontrolliert werden: überhitztes Öl könnte sich entzünden.

Installationsmodus

Die Dunstabzugshaube ist für die Installation und Verwendung in der "Abluftversion" oder in der "Umluftversion" vorgesehen.



Abluftversion (siehe Symbol in der Installationsanleitung)

Der Kochdampf wird angesaugt und über einen Abluftschlauch (nicht im Lieferumfang enthalten), der am Dampfaustritt der

Dunstabzugshaube installiert ist, nach draußen befördert. Achten Sie darauf, dass der Abluftschlauch mit einem geeigneten Anschlusssystem ordnungsgemäß am Luftauslass installiert ist.



Umluftversion (siehe Symbol in der Installationsanleitung)

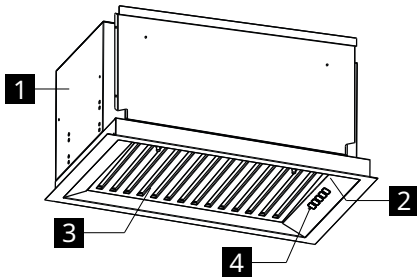
Die Luft wird durch einen oder mehrere Filter gefiltert und dann zurück in den Raum geleitet.

Wichtig: Stellen Sie sicher, dass die Luftzirkulation um die Dunstabzugshaube herum gewährleistet ist.

Wichtig: Wenn die Dunstabzugshaube nicht mit Kohlefiltern geliefert wird, müssen diese bestellt und eingebaut werden, bevor das Gerät in Betrieb genommen wird. Die Filter sind im Handel erhältlich.

Die Dunstabzugshaube muss entfernt von besonders schmutzigen Bereichen, Fenstern, Türen und Wärmequellen installiert werden. Das Zubehör für die Wandmontage ist nicht im Lieferumfang enthalten, da es je nach Wandmaterial variiert. Verwenden Sie Befestigungssysteme, die für die Wände Ihrer Wohnung und das Gewicht des Geräts geeignet sind. Für genauere Informationen wenden Sie sich bitte an einen Fachhändler. Bewahren Sie diese Anleitung zum späteren Nachschlagen auf.

Produktbeschreibung



- 1 Dunstabzugshaubenkörper
- 2 Beleuchtung
- 3 Fettfilter
- 4 Bedienfeld

Bedienfeld

Taste	Tastendruck	Funktion	Led
A Geschwindigkeit	Kurz	Schaltet den Motor mit der Geschwindigkeit eins ein/aus.	Ein oder Aus
B Geschwindigkeit	Kurz	Startet den Motor bei Geschwindigkeit zwei. Es muss die Taste A ausgewählt werden.	A + B sind eingeschaltet
C Geschwindigkeit	Kurz	Startet den Motor bei Geschwindigkeit drei. Es muss die Taste A ausgewählt werden.	A + C sind eingeschaltet
D Geschwindigkeit	Kurz	Schaltet den Motor mit der Intensivgeschwindigkeit ein. Die Geschwindigkeit ist auf 6 Minuten eingestellt. Wenn die eingestellte Zeit abgelaufen ist, schaltet das System automatisch auf die zuvor eingestellte Geschwindigkeit zurück. Wenn sie bei ausgeschaltetem Motor aktiviert worden ist, schaltet das System nach abgelaufener Zeit auf OFF zurück. Um sie zu deaktivieren, die Taste A, B oder C drücken. Die Taste A muss gewählt sein.	A Eingeschaltet D Blinkt
E Licht	Kurz	Schaltet das Beleuchtungssystem mit der maximalen Stärke ein und aus.	Ein oder Aus
	Lang	Erhöht und verringert die Beleuchtungsstärke.	Ein oder Aus

Allgemeine Empfehlungen

- Betreiben Sie die Dunstabzugshaube bei Beginn des Kochens auf niedrigster Stufe und lassen Sie sie nach Beendigung des Kochens noch einige Minuten lang laufen.
- Erhöhen Sie die Geschwindigkeit nur bei starker Rauch- und Dampfentwicklung und verwenden Sie die höchste(n) Geschwindigkeit(en) nur in extremen Situationen.
- Wechseln Sie den/die Aktivkohlefilter bei Bedarf aus, um eine gute Geruchsbeseitigung zu gewährleisten.
- Reinigen Sie den/die Fettfilter bei Bedarf, um eine gute Fettabscheideleistung zu erhalten.
- Verwenden Sie den in diesem Handbuch angegebenen maximalen Kanaldurchmesser, um die Effizienz zu optimieren und die Geräuscentwicklung zu minimieren.

Reinigung und Wartung

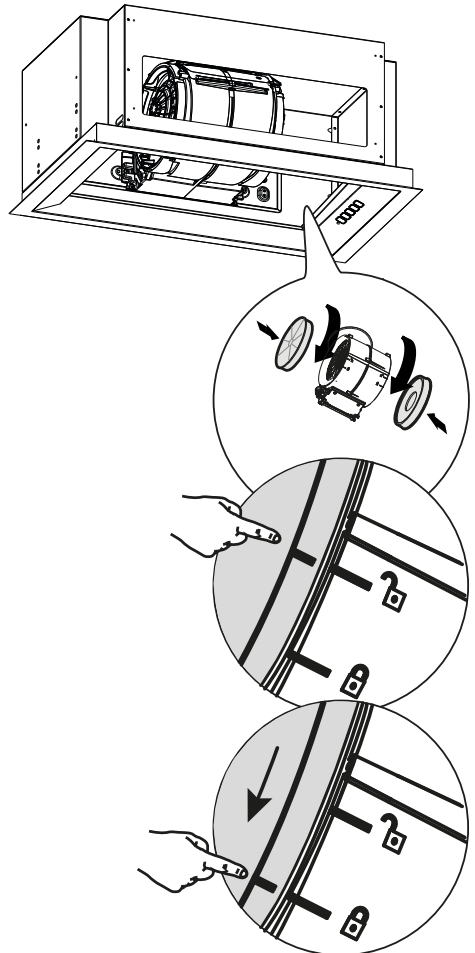


Schalten Sie das Gerät vor allen Wartungsarbeiten aus oder trennen Sie es von der Stromversorgung.

WICHTIG: Reinigen Sie die Dunstabzugshaube mit einem feuchten Tuch und einem neutralen flüssigen Reinigungsmittel.

Langzeit-Kohlefilter (grün)

Der Geruchsfilter kann alle 3-4 Monate (oder häufiger bei intensivem Gebrauch der Abzugshaube) gewaschen und bis zu maximal 8 mal regeneriert werden (bei besonders intensivem Gebrauch empfehlen wir, den Filter nicht mehr als 5 mal zu regenerieren).



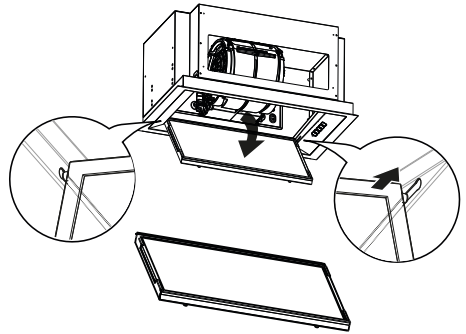
Verfahren zur Regeneration

- In der Spülmaschine bei MAX. 70° oder von Hand mit warmem Wasser waschen, ohne scheuernde Schwämme zu benutzen (keine Waschmittel verwenden!).
- 2 Stunden im Ofen bei einer Temperatur von MAX. 70° trocknen (lesen Sie bitte aufmerksam die Gebrauchs- und Montageanleitung Ihres Ofens).

Fettfilter

Reinigen Sie weiter die Filter in den angegebenen Intervallen oder tauschen Sie sie aus, um die Haube in einem guten Betriebszustand zu halten und die mögliche Brandgefahr durch übermäßige Fettansammlung zu vermeiden. Fettfilter sollten alle 2 Betriebsmonate oder bei starker Beanspruchung häufiger gereinigt werden

und können in der Geschirrspülmaschine gereinigt werden.

**Austausch der Lampen**

Wenden Sie sich für den Austausch an eine autorisierte Kundendienststelle.

Was ist zu tun, wenn...

Wenn eine Störung auftritt, versuchen Sie zunächst, selbst eine Lösung zu finden. Wenn Sie das Problem nicht selbst lösen können, wenden Sie sich an ein autorisiertes Kundendienstzentrum.

i Bei unsachgemäßer Verwendung des Geräts oder einer nicht gemäß der Installationsanleitung durchgeführten Installation müssen Sie möglicherweise auch während der Garantiezeit das autorisierte Kundendienstzentrum aufsuchen.

PROBLEM	MÖGLICHE URSACHE	LÖSUNG
Das Gerät ist nicht stabil.	Das Gerät ist nicht korrekt installiert worden.	Beachten Sie die mit dem Gerät gelieferte Installationsanleitung.
Das Gerät ist nicht eben.	Das Gerät ist nicht korrekt installiert worden.	Beachten Sie die mit dem Gerät gelieferte Installationsanleitung.
Die Leistung in Bezug auf die Fettabcheidung ist nicht zufriedenstellend.	Vorhandensein von Öl und Fett auf den Metall- oder Kohlefiltern.	Beachten Sie die Häufigkeit der Filterreinigung wie in der Bedienungsanleitung beschrieben.
Das Gerät funktioniert nicht.	Das Gerät ist nicht richtig angeschlossen.	Prüfen Sie, ob das Netzkabel mit der Motoreinheit verbunden ist oder ob der Stecker in die Steckdose eingesteckt ist.
Das Licht funktioniert nicht.	Die LED ist gebrochen.	Wenden Sie sich für den Austausch an eine autorisierte Kundendienststelle.
Die Haube ist lauter als vom Kunden erwartet.	Der Durchmesser der Entlüftungsöffnung in der Wand ist zu klein und führt zu Druckverlusten und erhöhter Motordrehzahl.	Beachten Sie die mit dem Gerät gelieferte Installationsanleitung.
	Das Produkt ist im Umluftbetrieb installiert.	Das Produkt im Umluftbetrieb (und mit installiertem Kohlefilter) ist lauter als ein Produkt im Ansaugbetrieb.
	Der Lüftungskanal hat mehr als eine Biegung.	Wenn das Rauchabzugssystem des Gebäudes mehrere Kurven hat oder eine lange Strecke zurücklegt, kann das Produkt lauter sein.

Bevor Sie das Kundendienstzentrum kontaktieren:

Schalten Sie das Gerät wieder ein, um zu sehen, ob das Problem verschwunden ist. Falls nicht, schalten Sie es wieder aus und wiederholen Sie den Vorgang nach einer Stunde. Wenn das Gerät immer noch nicht ordnungsgemäß funktioniert, nachdem Sie

die in der Anleitung zur Fehlerbehebung aufgeführten Kontrollen durchgeführt und das Gerät wieder eingeschaltet haben, wenden Sie sich an den autorisierten Kundendienst und schildern Sie das Problem deutlich und geben Sie an:

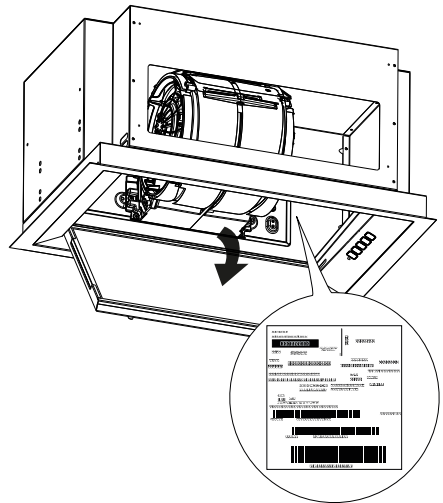
- die Art der Störung;
- das Modell;
- den Typ und die Seriennummer des Geräts (auf dem Typenschild angegeben).

Technische Daten

		Einheit	Wert
Produkttyp			Integrierte Dunstabzugshau- be
Abmessungen	Breite	mm	599
	Tiefe	mm	358
	Höhe min./max.	mm	290
Max. Luftdurchsatz* - Ablass		m3/h	450
Max. Geräuschpegel - Ablass		dBA	55
Max. Luftstrom - Umluft		m3/h	250
Max. Geräuschpegel - Umluft		dBA	66
Gesamtleistung		W	144
Informationen zur Lampe	Typ		LED-Leiste
	Nummer und Leistung		3,8 W
	Steckdose		N/D
Minimale Einbauhöhe - Gaskochfeld		mm	650
Minimale Einbauhöhe - Elektrokochfeld		mm	500
Nettogewicht		Kg	8
* Maximale Geschwindigkeit (ohne Intensivstufe)			

Dieses Gerät wurde in Übereinstimmung mit den EG-Richtlinien **CE** entwickelt, hergestellt und vermarktet.

Die technischen Daten finden Sie auf dem Typenschild auf der Innenseite des Geräts.



Energie-Effizienz

Produktinformation gemäß EU-Verordnung Nr. 66/2014	Einheit	Wert
Lieferantenname	IKEA	
Identifizierungsdaten des Modells	MÄNGSBO 906.091.16 106.176.10 906.176.11	
Jährlicher Effizienz-Verbrauch	kWh/a	26,9
Koeffizient des Zeitinkrements		0,5
Fluiddynamische Effizienz		40,5
Energieeffizienzindex		29,9
Luftdurchsatz, am Punkt der höchsten Effizienz gemessen	m ³ /h	410
Luftdruck, am Punkt der höchsten Effizienz gemessen	Pa	469
Maximaler Luftdurchsatz	m ³ /h	450
Stromversorgung, am Punkt der höchsten Effizienz gemessen	W	132
Nennleistung des Beleuchtungssystems	W	3,8
Durchschnittliche Beleuchtungsstärke des Beleuchtungssystems des Kochfeldes	Lux	275
Stromaufnahme gemessen im Standby-Modus	W	0,49
Stromaufnahme gemessen im Aus-Zustand	W	0,0
Schallpegel bei maximaler Geschwindigkeit (ohne Intensiv-Einstellung)	dB(A)	66

Bezugsnormen:

EN/IEC 61591
EN/IEC 60704-1
EN/IEC 60704-2-13
EN/IEC 60704-3
EN 50564

Energieeinsparung

Das Gerät verfügt über Funktionen, die beim täglichen Kochen Energie sparen helfen.

Umweltaspekte

Informationen zur Entsorgung

Ihre Pflichten als Endnutzer



Dieses Elektro- bzw. Elektronikgerät ist mit einer durchgestrichenen Abfalltonne auf Rädern gekennzeichnet. Das Gerät darf deshalb nur getrennt vom unsortierten Siedlungsabfall gesammelt und zurückgenommen werden, es darf also nicht in den Hausmüll gegeben werden. Das Gerät kann z. B. bei einer kommunalen Sammelstelle oder ggf. bei einem Vertreiber (siehe zu deren Rücknahmepflichten in Deutschland unten) abgegeben werden. Das gilt auch für alle Bauteile, Unterbaugruppen und Verbrauchsmaterialien des zu entsorgenden Altgeräts.

Bevor das Altgerät entsorgt werden darf, müssen alle Altbatterien und Altakkumulatoren vom Altgerät getrennt werden, die nicht vom Altgerät umschlossen sind. Das gleiche gilt für Lampen, die zerstörungsfrei aus dem Altgerät entnommen werden können. Der Endnutzer ist zudem selbst dafür verantwortlich, personenbezogene Daten auf dem Altgerät zu löschen.

Hinweise zum Recycling



Helfen Sie mit, alle Materialien zu recyceln, die mit diesem Symbol gekennzeichnet sind. Entsorgen Sie solche Materialien, insbesondere Verpackungen, nicht im Hausmüll sondern über die bereitgestellten Recyclingbehälter oder die entsprechenden örtlichen Sammelsysteme. Recyceln Sie zum Umwelt- und Gesundheitsschutz auch elektrische und elektronische Geräte.

Folgende Hinweise gelten ergänzend in Deutschland.

Rücknahmepflichten der Vertreiber

Wer auf mindestens 400 m² Verkaufsfläche Elektro- und Elektronikgeräte vertreibt oder sonst geschäftlich an Endnutzer abgibt, ist verpflichtet, bei Abgabe eines neuen Geräts ein Altgerät des Endnutzers der gleichen Geräteart, das im Wesentlichen die gleichen Funktionen wie das neue Gerät erfüllt, am Ort der Abgabe oder in unmittelbarer Nähe hierzu unentgeltlich zurückzunehmen. Das gilt auch für Vertreiber von Lebensmitteln mit einer Gesamtverkaufsfläche von mindestens 800 m², die mehrmals im Kalenderjahr oder dauerhaft Elektro- und Elektronikgeräte anbieten und auf dem Markt bereitstellen. Solche Vertreiber müssen zudem auf Verlangen des Endnutzers Altgeräte, die in keiner äußeren Abmessung größer als 25 cm sind (kleine Elektrogeräte), im Einzelhandelsgeschäft oder in unmittelbarer Nähe hierzu unentgeltlich zurückzunehmen; die Rücknahme darf in diesem Fall nicht an den Kauf eines Elektro- oder Elektronikgerätes geknüpft, kann aber auf drei Altgeräte pro Geräteart beschränkt werden.

Ort der Abgabe ist auch der private Haushalt, wenn das neue Elektro- oder Elektronikgerät dorthin geliefert wird; in diesem Fall ist die Abholung des Altgerätes für den Endnutzer kostenlos.

Die vorstehenden Pflichten gelten auch für den Vertrieb unter Verwendung von Fernkommunikationsmitteln, wenn die Vertreiber Lager- und Versandflächen für Elektro- und Elektronikgeräte bzw. Gesamtlager- und -versandflächen für Lebensmittel vorhalten, die den oben genannten Verkaufsflächen entsprechen. Die unentgeltliche Abholung von Elektro- und Elektronikgeräten ist dann aber auf Wärmeüberträger (z. B. Kühlschrank), Bildschirme, Monitore und Geräte, die Bildschirme mit einer Oberfläche von mehr als 100 cm² enthalten, und Geräte beschränkt, bei denen

mindestens eine der äußeren Abmessungen mehr als 50 cm beträgt. Für alle übrigen Elektro- und Elektronikgeräte muss der Vertreiber geeignete Rückgabemöglichkeiten in zumutbarer Entfernung zum jeweiligen

Endnutzer gewährleisten; das gilt auch für kleine Elektrogeräte (s.o.), die der Endnutzer zurückgeben will, ohne ein neues Gerät zu kaufen.

IKEA Garantie

Wie lange gilt die IKEA-Garantie?

Diese Garantie hat eine Gültigkeit von fünf (5) Jahren ab Kaufdatum des Geräts bei IKEA. Der Original-Kassenzettel ist als Kaufbeleg unerlässlich. Eine im Laufe der Garantie durchgeführte Reparatur verlängert die Garantiedauer des Geräts nicht.

Wer liefert den Kundendienst?

Der IKEA Kundendienst wird diesen Service über seinen eigenen Kundendienst oder über ein autorisiertes Partner-Netzwerk durchführen lassen.

Was deckt die Garantie ab?

Die Garantie deckt Material- und Produktionsfehler ab. Sie gilt ab dem Datum, an dem das Elektrogerät bei IKEA gekauft wurde. Diese Garantie gilt nur für private Haushalte. Ausnahmen sind unter "Was die Garantie nicht abdeckt" beschrieben. Während der Garantiezeit werden die Reparaturkosten (Ersatzteile, Arbeits- und Reisekosten des technischen Personals) vom Service getragen, sofern der Zugang zum Gerät für die Reparaturarbeiten keinen besonderen Aufwand erfordert. Bei diesen Bedingungen gelten die UE-Richtlinien (Nr. 99/44/EG) und die entsprechenden gesetzlichen Vorschriften. Teile, die ersetzt wurden, gehen in das Eigentum von IKEA über.

Was wird IKEA zur Lösung des Problems tun?

Der von IKEA beauftragte Dienstleister wird das Produkt untersuchen und nach eigenem Ermessen entscheiden, ob das Produkt unter die Garantie fällt. In diesem Fall repariert der IKEA Dienstleister oder sein autorisierter

Servicepartner nach eigenem Ermessen das defekte Produkt oder ersetzt es durch ein gleichwertiges oder gleichwertiges Produkt.

Was ist nicht durch diese Garantie abgedeckt?

- Der normale Verschleiß.
- Schäden, die vorsätzlich oder durch Fahrlässigkeit verursacht wurden, Schäden, die durch Nichtbeachtung der Betriebsanleitung, falsche Installation oder Anschluss an eine falsche Spannung entstanden sind, Schäden, die durch chemische oder elektrochemische Reaktionen, Rost, Korrosion oder Wasserschäden verursacht wurden, einschließlich, aber nicht beschränkt auf Schäden, die durch übermäßige Kalkablagerungen in Wasserleitungen entstanden sind, sowie Schäden, die durch Wetter- und Naturereignisse verursacht wurden.
- Verschleißteile wie Batterien und Glühbirnen.
- Dekorative und nicht funktionale Teile, die den normalen Gebrauch des Geräts nicht beeinträchtigen, einschließlich Kratzer und Farbveränderungen.
- Unbeabsichtigte Beschädigung durch Fremdkörper und Reinigung oder Freigabe von Filtern, Abflusssystemen oder Reinigungsmittelwannen.
- Schäden an Teilen wie Glaskeramik, Zubehör, Geschirr und Besteckkörben, Zu- und Abflussrohren, Dichtungen, Glühbirnen und deren Abdeckungen, Blenden, Knöpfe, Verkleidungen und Teilen von Verkleidungen, sofern diese Schäden nicht nachweislich durch Fabrikationsfehler verursacht wurden.
- Fälle, in denen bei einem Besuch durch einen Techniker keine Defekte festgestellt werden.

- Reparaturen, die nicht durch unser autorisiertes Kundendienstpersonal und/oder das autorisierte Kundendienstpersonal unserer Vertragspartner ausgeführt wurden, oder Fälle, in denen keine Originalteile verwendet wurden.
- Reparaturen, die durch fehlerhafte und nicht gemäß der Anleitung durchgeführte Installation verursacht wurden.
- Verwendung des Geräts in einer nicht häuslichen Umgebung, z. B. für den professionellen Einsatz.
- Beschädigung durch den Transport. Wenn ein Kunde das Produkt nach Hause oder an eine andere Adresse transportiert, haftet IKEA nicht für Schäden, die während dieses Transports entstehen. Liefert IKEA das Produkt an die Lieferadresse des Kunden aus, dann sind Schäden, die während der Auslieferung des Produktes entstehen, von der Garantie abgedeckt.
- Kosten für die Erstinstallation des IKEA-Geräts. Wenn jedoch ein von IKEA beauftragter Dienstleister oder sein autorisierter Servicepartner eine Reparatur oder einen Austausch des Geräts im Rahmen der Garantie durchführt, muss der Dienstleister oder der autorisierte Servicepartner auch für die Neuinstallation des reparierten Geräts oder die Installation des Ersatzgeräts sorgen, falls dies erforderlich ist.

Diese Einschränkung gilt nicht für fehlerfreie Arbeiten, die von qualifiziertem Fachpersonal durchgeführt wurden, um das Gerät an den technischen Sicherheitsstandard eines anderen EU-Landes anzupassen.

Anwendbarkeit nationaler Gesetze

Die IKEA Garantie gibt Ihnen bestimmte gesetzliche Rechte, welche die örtlichen Anforderungen abdecken oder übertreffen. Diese Bedingungen schränken jedoch in keiner Weise die in der lokalen Gesetzgebung beschriebenen Verbraucherrechte ein.

Geltungsbereich

Für Geräte, die in einem EU-Land gekauft und

in ein anderes EU-Land mitgenommen werden, stehen die Kundendienstleistungen im Rahmen der Garantiebedingungen bereit, die im neuen Land gültig sind. Die Verpflichtung zur Erbringung von Serviceleistungen im Rahmen der Garantie besteht nur, wenn das Gerät mit den Vorgaben der Garantiebestimmungen übereinstimmt und entsprechend installiert wurde:

- technische Spezifikationen des Landes, in dem der Garantieantrag gestellt wird;
- Sicherheitshinweise, die im Benutzerhandbuch enthalten sind.

After-Sales-Kundendienst für IKEA Geräte:

Zögern Sie nicht, den IKEA-Kundendienst zu kontaktieren, um:

1. Fordern Sie Unterstützung im Rahmen der Garantie an;

2. die Bitte um Klärung von Fragen zur Installation des IKEA Gerätes im speziellen IKEA Küchenmöbel. Der Kundendienst kann keine Fragen beantworten zu:

- der gesamten IKEA Kücheninstallation;
- Anschlüsse an die Elektrik (falls das Gerät ohne Netzkabel und Stecker kommt), Anschlüsse an Wasser und Gas, da diese Arbeiten von einem autorisierten Kundendiensttechniker ausgeführt werden müssen.

3. die Bitte um Klärung von Fragen zu Inhalten des Benutzerhandbuchs und zu Spezifikationen des IKEA Geräts.

Um sicherzustellen, dass wir Sie stets optimal unterstützen, lesen Sie bitte die Montageanleitung und/oder den Bedienungsanleitungsabschnitt dieser Broschüre durch, bevor Sie sich an uns wenden.

Wie können Sie uns erreichen, wenn Sie uns benötigen



Bitte beachten Sie die vollständige Liste der IKEA Serviceanbieter und deren nationale Telefonnummern auf der letzten Seite dieses Handbuchs.

Wichtig! Damit Sie bei Fragen rasch die zuständige Stelle erreichen, empfehlen wir Ihnen, die am Ende dieser Broschüre aufgelisteten speziellen Telefonnummern zu benutzen. Beziehen Sie sich immer auf die spezifischen Gerätecodes, die in diesem Handbuch zu finden sind. Bevor Sie sich mit uns in Verbindung setzen, stellen Sie bitte

sicher, dass Sie den IKEA Produktcode (8-stellig) für das Gerät, für das Sie den Service in Anspruch nehmen möchten, zur Hand haben.

Wichtig! BEWAHREN SIE IHR KAUFBELEG AUF!

Er ist Ihr Kaufnachweis und für einen Garantieanspruch unerlässlich. Auf dem Kaufbeleg sind auch der Name und der Code (8-stellig) jedes IKEA Geräts angegeben, das Sie gekauft haben.

Benötigen Sie zusätzlich Hilfe?

Für alle weiteren Fragen, die nicht den Kundendienst Ihrer Geräte betreffen. Wenden Sie sich bitte an das Callcenter des nächstgelegenen IKEA Einrichtungshauses. Wir empfehlen Ihnen, die Dokumentation des Geräts sorgfältig durchzulesen, bevor Sie uns kontaktieren.

Sommaire

Consignes de sécurité	35	Que faire si...	43
Informations générales	39	Fiche technique	44
Description du produit	40	Efficacité énergétique	45
Bandeau de commande	40	Aspects Environnementaux	46
Conseils généraux	41	Garantie IKEA	46
Nettoyage et entretien	41		

Consignes de sécurité

i Pour la sécurité personnelle et pour le fonctionnement correct de l'appareil, nous vous prions de lire attentivement ce manuel avant l'installation et la mise en marche. Gardez toujours ces instructions avec l'appareil, même en cas de cession ou de transfert à des tiers. Il est important que les utilisateurs connaissent toutes les caractéristiques de fonctionnement et de sécurité de l'appareil.

! La connexion des câbles doit être effectuée par un technicien compétent.

- Le fabricant ne pourra être tenu responsable des dommages découlant d'une mauvaise installation ou d'un mauvais usage.
- La distance de sécurité minimale entre la table de cuisson et la hotte aspirante est de 500 mm pour les hottes de cuisine électriques et de 650 mm pour les hottes de cuisine à gaz.
- Si les instructions d'installation du plan de cuisson à gaz spécifient une distance supérieure à celle indiquée ci-dessus, il faut en tenir compte.
- Vérifier que la tension du réseau correspond à celle indiquée sur la plaque signalétique fixée à l'intérieur de la hotte.

- Les dispositifs de sectionnement doivent être installés dans l'équipement fixe, conformément aux normes sur les systèmes de câblage.
- Pour les appareils de Classe I, contrôler que le réseau d'alimentation domestique dispose d'un branchement adéquat à la masse.
- Raccorder la hotte au conduit de la fumée avec un tuyau d'un diamètre minimum de 150 mm. Le trajet de la fumée doit être aussi court que possible.
- Toutes les réglementations concernant l'évacuation de l'air doivent être respectées.
- Ne pas raccorder la hotte aspirante à des conduits de fumée qui transportent des fumées de combustion (comme les conduits de chaudières, de cheminées, etc.).
- Si la hotte est utilisée en combinaison avec des appareils non électriques (par exemple des appareils à gaz), une ventilation suffisante doit être assurée dans la pièce pour éviter le reflux des gaz d'échappement. Lorsque la hotte est utilisée en combinaison avec des appareils qui ne sont pas alimentés par l'électricité, la pression négative dans la pièce ne doit pas dépasser 4 Pa afin d'éviter que les fumées ne soient aspirées par la hotte dans la pièce.
- L'air ne doit pas être évacué par un conduit utilisé pour l'évacuation des fumées d'appareils à combustion alimentés au gaz ou à d'autres combustibles.
- Si le cordon d'alimentation est endommagé, faites-le remplacer par le fabricant ou par un technicien d'un service après-vente agréé.
- Branchez la fiche à une prise conforme aux normes en vigueur et dans une position accessible.
- En ce qui concerne les mesures techniques et de sécurité à prendre pour l'évacuation des fumées, il est important de

suivre strictement les réglementations établies par les autorités locales.


⚠ AVERTISSEMENT : avant d'installer la hotte, retirer les films de protection.

- Utiliser exclusivement des vis et des petites pièces adaptées à la hotte.

⚠ AVERTISSEMENT : toute installation de vis et de dispositifs de fixation non conformes à ces instructions peut entraîner des risques de décharges électriques.

- Branchez la hotte sur le réseau électrique en utilisant un interrupteur bipolaire avec une distance de contact d'au moins 3 mm.
- N'observez pas directement avec des instruments optiques (jumelles, lentilles grossissantes...).
- Ne pas faire flamber sous la hotte : un incendie pourrait se développer.
- Cet appareil peut être utilisé par des enfants de plus de 8 ans et par des personnes dont les capacités physiques, sensorielles ou mentales sont diminuées ou ayant une expérience et des connaissances insuffisantes, pourvu que ce soit sous la surveillance attentive d'une personne responsable et après avoir reçu des instructions sur la manière d'utiliser cet appareil en toute sécurité et sur les dangers que cela comporte. Assurez-vous que les enfants ne jouent pas avec cet appareil. Le nettoyage et l'entretien de la part de l'utilisateur ne doivent pas être effectués par des enfants, à moins qu'ils ne soient surveillés.
- Surveillez les enfants, en vérifiant qu'ils ne jouent pas avec l'appareil.
- Cet appareil n'est pas destiné à être utilisé par des personnes (enfants compris) dont les capacités physiques, sensorielles

ou mentales sont diminuées ou ayant une expérience et des connaissances insuffisantes, à moins que celles-ci ne soient attentivement surveillées et instruites.

 Les parties accessibles peuvent devenir très chaudes lors de l'utilisation des appareils de cuisson

- Nettoyer et/ou remplacer les filtres après la période de temps indiquée (risque d'incendie).
- La pièce doit être suffisamment ventilée lorsque la hotte est utilisée en même temps que des appareils utilisant du gaz ou d'autres combustibles (non applicable aux appareils qui ne font qu'évacuer l'air dans la pièce).
- Les hottes de cuisine et autres aspirateurs de fumées de cuisson peuvent nuire au bon fonctionnement des appareils qui brûlent du gaz ou d'autres combustibles (y compris ceux situés dans d'autres pièces), en raison du retour des gaz de combustion. Ces gaz peuvent provoquer un empoisonnement au monoxyde de carbone. Après l'installation d'une hotte de cuisine ou de tout autre extracteur de fumées de cuisson, vérifier que les appareils à gaz sont testés par une personne compétente afin de garantir qu'il ne se vérifie pas de reflux de gaz de combustion.

Informations générales

Utilisation

- Avant d'effectuer toute opération de nettoyage ou d'entretien, éteindre ou débrancher l'appareil du secteur.
- La hotte ne doit pas être utilisée comme surface d'appui.
- La hotte est conçue exclusivement pour l'élimination des odeurs de cuisine dans le cadre d'un usage domestique.
- La hotte ne doit en aucun cas être utilisée à d'autres fins que celles pour lesquelles elle a été conçue.
- Ne laissez jamais de flammes vives sous la hotte aspirante lorsqu'elle fonctionne.
- Régler l'intensité de la flamme de manière à ce qu'elle soit dirigée exclusivement vers le fond du récipient de cuisson, en veillant à ce qu'elle n'enveloppe pas les parois.
- Les friteuses doivent être constamment surveillées durant l'utilisation : l'huile surchauffée pourrait prendre feu.

Modes d'installation

La hotte est conçue pour être installée et utilisée soit en « version aspiration », soit en « version recirculation d'air ».



Version aspiration (voir le symbole dans les instructions d'installation)

La vapeur de cuisson est aspirée et évacuée à l'extérieur de l'habitation par un tuyau

d'évacuation (non fourni) installé à la sortie vapeur de la hotte. Veillez à ce que le tuyau d'évacuation soit correctement installé à la sortie d'air, à l'aide d'un système de raccordement approprié.



Version à recirculation d'air (voir symbole dans les instructions d'installation)

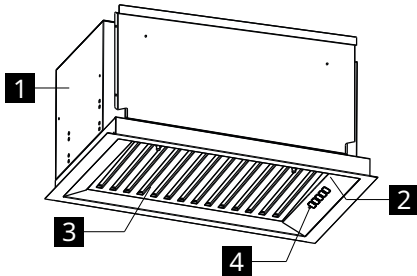
L'air est filtré à travers un ou plusieurs filtres, puis renvoyé dans la pièce.

Important : Veillez à ce que l'air circule correctement autour de la hotte.

Important : Si la hotte n'est pas livrée avec des filtres à charbon, ceux-ci doivent être commandés et installés avant l'utilisation de l'appareil. Les filtres sont disponibles dans le commerce.


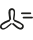



La hotte doit être installée à l'écart des zones particulièrement sales, des fenêtres, des portes et des sources de chaleur. Les accessoires pour le montage mural ne sont pas inclus car ils varient en fonction du matériau du mur. Utilisez des systèmes de fixation adaptés aux murs de votre habitation et au poids de l'appareil. Pour des informations plus détaillées, veuillez contacter un revendeur spécialisé. Conservez ces instructions pour vous y référer ultérieurement.

Description du produit



- 1 Corps hotte
- 2 Éclairage
- 3 Filtre à graisse
- 4 Panneau de commande

Bandeau de commande

						
		A	B	C	D	E
Touche	Pression touche	Fonction				LED
A Vitesse	Brève	Démarre /coupe le moteur à la vitesse un.				Allumé ou Éteint
B Vitesse	Brève	Met en marche le moteur à la vitesse deux. La Touche A doit être sélectionnée.				A + B sont allumés
C Vitesse	Brève	Met en marche le moteur à la vitesse trois. La Touche A doit être sélectionnée.				A + C sont allumés
D Vitesse	Brève	Démarre le moteur à la vitesse Intensive. Cette vitesse est active 6 minutes. Après le délai paramétré, le système retourne automatiquement à la vitesse précédemment réglée. Si on l'active lorsque le moteur est éteint, elle retourne sur OFF à la fin du délai paramétré. Pour la désactiver, appuyer sur le bouton A, B ou C. La touche A doit être sélectionnée.				A Allumé D Clignote
E Lumière	Brève	Allume et éteint le système d'éclairage à l'intensité maximum.				Allumé ou Éteint
	Longue	Augmente ou réduit l'intensité de l'éclairage.				Allumé ou Éteint

Conseils généraux

- Faites fonctionner la hotte à la vitesse minimale lorsque vous commencez à cuisiner et laissez-la fonctionner pendant quelques minutes après la fin de la cuisson.
- N'augmentez la vitesse qu'en présence de grandes quantités de fumée et de vapeur et n'utilisez la (les) vitesse(s) intensive(s) que dans des situations extrêmes.
- Remplacer le(s) filtre(s) à charbon lorsque cela est nécessaire pour maintenir une bonne efficacité de réduction des odeurs.
- Nettoyez le(s) filtre(s) à graisse lorsque cela est nécessaire pour maintenir une bonne efficacité d'absorption des graisses.
- Utilisez le diamètre maximal de la gaine indiqué dans ce manuel pour optimiser l'efficacité et minimiser le bruit.

Nettoyage et entretien

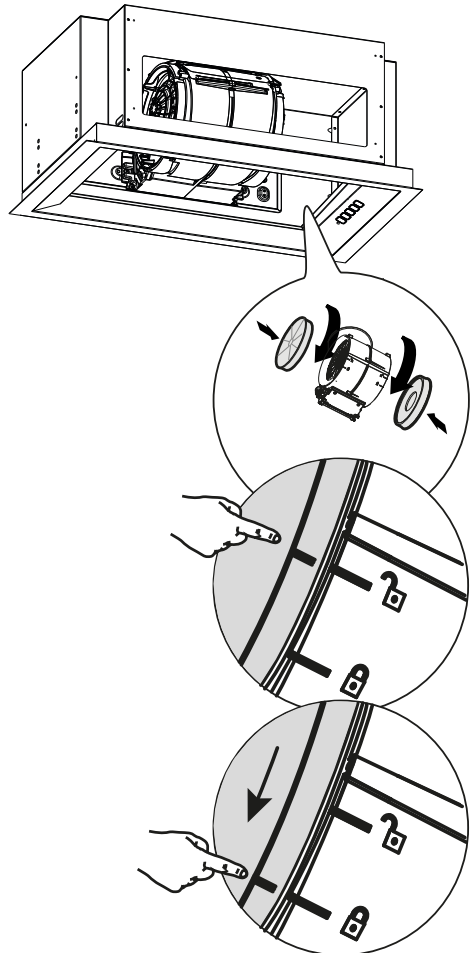


Éteindre ou déconnecter l'appareil de l'alimentation électrique avant toute opération d'entretien.

IMPORTANT : Nettoyer la hotte à l'aide d'un chiffon humide et d'un détergent liquide neutre.

Filtre à charbon de longue durée (Vert)

Le filtre anti-odeur peut être lavé et régénéré tous les 3-4 mois (ou plus fréquemment en cas d'utilisation intensive de la hotte) jusqu'à un maximum de 8 cycles de régénération (en cas d'utilisation particulièrement intensive, il est conseillé de ne pas dépasser les 5 cycles).



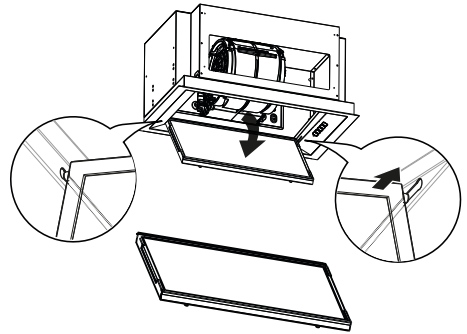
Procédure de régénération

- Laver au lave-vaisselle à une température MAX de 70° ou laver à la main avec de l'eau chaude sans utiliser d'éponges abrasives (ne pas utiliser de produits nettoyants !).
- Sécher au four à une température MAX de 70° pendant 2 heures (lire attentivement le manuel de l'utilisateur et les instructions de montage du four).

Filtres à graisse

Continuer à nettoyer ou remplacer les filtres aux intervalles de temps indiqués afin de maintenir la hotte en bon état de fonctionnement et éviter le risque potentiel d'incendie à cause d'une accumulation excessive de graisse. Les filtres à graisse doivent être nettoyés tous les 2 mois de fonctionnement ou plus fréquemment en cas

d'usage très intense, et peuvent être lavés au lave-vaisselle.

**Remplacement des lampes**

Pour la remplacer, contacter un Centre d'Assistance Agréé.

Que faire si...

En cas de panne, essayez d'abord de trouver vous-même une solution. Si vous ne parvenez pas à résoudre le problème vous-même, contactez un centre de service agréé.

i En cas d'utilisation incorrecte de l'appareil ou d'installation non conforme aux instructions d'installation, il se peut que vous deviez rendre visite au technicien du centre d'assistance agréé, même pendant la période de garantie.

PROBLÈME	CAUSE POSSIBLE	SOLUTION
L'appareil n'est pas stable.	L'appareil n'a pas été installé correctement.	Suivre les instructions d'installation fournies avec l'appareil.
L'appareil n'est pas de niveau.	L'appareil n'a pas été installé correctement.	Suivre les instructions d'installation fournies avec l'appareil.
Les performances en matière de capture des graisses ne sont pas satisfaisantes.	Présence d'huile et de graisse sur les filtres en métal ou sur les filtres à charbon.	Respecter la fréquence de nettoyage des filtres décrite dans le mode d'emploi.
L'appareil ne fonctionne pas.	L'appareil n'a pas été branché correctement.	Vérifier que le câble secteur est branché au groupe moteur et que la fiche est branchée à la prise.
La lumière ne fonctionne pas.	La LED est cassée.	Pour la remplacer, contacter un Centre d'Assistance Agréé.
La hotte est plus bruyante que les attentes du client.	Le diamètre de l'évacuation de l'air dans le mur est trop petit et provoque la perte de pression et l'augmentation de la vitesse du moteur.	Suivre les instructions d'installation fournies avec l'appareil.
	Le produit est installé en mode recirculation.	Le produit en mode recirculation (et avec un filtre à charbon monté) est plus bruyant qu'un produit en mode aspiration.
	Le conduit de ventilation a plus d'un coude.	Si le système d'évacuation des fumées du bâtiment a de multiples coudes et s'étend sur une longue distance, le produit peut être plus bruyant.

Avant de contacter le centre de service agréé :

Rallumez l'appareil pour voir si le problème a disparu. Si ce n'est pas le cas, éteignez-le à nouveau et répétez l'opération après une heure. Si l'appareil ne fonctionne toujours pas correctement après avoir effectué les

contrôles indiqués dans le guide de dépannage et après avoir remis l'appareil en marche, contactez le Centre d'assistance agréé en expliquant clairement le problème et en spécifiant :

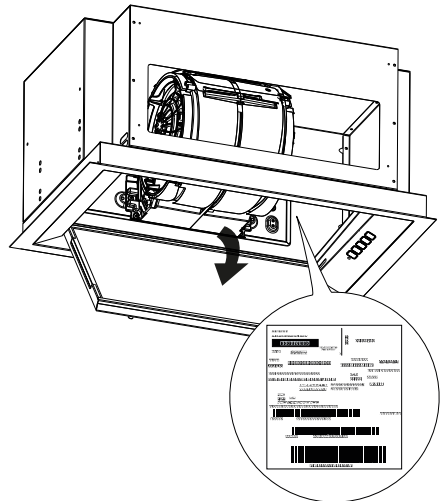
- le type de défaut ;
- le modèle ;
- le type et le numéro de série de l'appareil (indiqués sur la plaque signalétique).

Fiche technique

		Unité	Valeur
Type de produit			Hotte intégrée
Dimensions	Largeur	mm	599
	Profondeur	mm	358
	Hauteur min/max	mm	290
Débit d'air maxi* - Évacuation		m ³ /h	450
Niveau maxi de bruit - Évacuation		dBA	55
Débit d'air maxi* - Recirculation		m ³ /h	250
Niveau sonore maximal* - Recirculation		dBA	66
Puissance totale		W	144
Informations sur la lampe	Type		Barre LED
	Nombre et puissance		3,8 W
	Attache		N/D
Hauteur d'installation minimale - plaque de cuisson au gaz		mm	650
Hauteur d'installation minimale - plaque de cuisson électrique		mm	500
Poids net		Kg	8
* Vitesse maximale (sans réglage intensif)			

Cet appareil a été conçu, fabriqué et commercialisé conformément aux directives CEE **CE**.

Les données techniques sont indiquées sur la plaque signalétique située à l'intérieur de l'appareil.



Efficacité énergétique

Informations sur le produit selon le règlement UE n° 66/2014	Unité	Valeur
Nom du fournisseur	IKEA	
Identification du modèle	MÅNGSBO 906 091.16 106 176.10 906 176.11	
Consommation annuelle d'efficacité	kWh/a	26,9
Coefficient d'augmentation dans le temps		0,5
Efficacité fluidodynamique		40,5
Indice d'efficacité énergétique		29,9
Débit d'air mesuré à son meilleur point d'efficacité	m ³ /h	410
Pression de l'air mesurée à son meilleur point d'efficacité	Pa	469
Débit d'air maximal	m ³ /h	450
Alimentation électrique mesurée à son meilleur point d'efficacité	W	132
Puissance nominale du système d'éclairage	W	3,8
Système d'éclairage moyen sur la table de cuisson	Lux	275
Consommation de courant mesurée en mode veille	W	0,49
Consommation de courant mesurée en mode off	W	0,0
Niveau sonore à la vitesse maximale (sans configuration intensive)	dba	66

Normes de référence :

EN/IEC 61591
EN/IEC 60704-1
EN/IEC 60704-2-13
EN/IEC 60704-3
EN 50564


Économie d'énergie

L'appareil comprend des fonctions qui permettent d'économiser de l'énergie lors de la cuisson quotidienne.

Aspects Environnementaux

Élimination des appareils électroménagers




Le symbole  sur le produit ou sur son emballage indique que le produit ne doit pas être jeté avec les déchets ménagers normaux. Cet appareil doit être remis à une déchetterie spécialisée dans le recyclage des composants électriques et électroniques. Assurez-vous que cet appareil a été éliminé correctement, vous participerez ainsi à prévenir les conséquences potentiellement négatives pour l'environnement et pour la santé pouvant découler d'une élimination inappropriée. Pour des informations plus

détaillées sur la manière de recycler ce produit, veuillez contacter votre municipalité, votre déchetterie locale ou le magasin où vous avez acheté ce produit.

Cet appareil est conforme à la directive 2012/19/UE concernant la réduction des substances dangereuses utilisées dans les appareils électriques et électroniques et l'élimination des déchets.

Élimination des matériaux d'emballage

Les matériaux marqués du symbole  sont recyclables. Jeter l'emballage dans les conteneurs à déchets spécialement prévus pour leur recyclage.

Garantie IKEA

Quelle est la durée de validité de la garantie IKEA ?

Cette garantie est valable cinq (5) ans à compter de la date originale d'achat de l'appareil chez IKEA. L'original du ticket de caisse est indispensable comme preuve de l'achat. Une réparation effectuée dans le cadre de la garantie n'étend pas la période de garantie pour l'appareil.

Qui fournit l'assistance ?

Le service après-vente IKEA se chargera du service par le biais de ses propres services ou du réseau de partenaires autorisés.

Que couvre cette garantie ?

Cette garantie couvre les dommages dus à des composants défectueux ou des défauts de fabrication survenant après la date d'achat chez IKEA. La garantie est uniquement valable sur les appareils électroménagers destinés à un usage domestique. Les exceptions sont indiquées dans le paragraphe "Qu'est-ce qui n'est pas couvert par la garantie ?" Durant la période de validité de la garantie, les frais de réparation (pièces de rechange, main-d'œuvre et déplacements du personnel technique) seront pris en charge par le

service d'assistance, à condition que l'accès à l'appareil pour l'intervention de réparation ne comporte aucun frais supplémentaire. Ces conditions sont conformes aux directives UE (N. 99/44/CE) et aux normes et dispositions locales applicables. Les pièces remplacées deviennent la propriété d'IKEA.

Que fait IKEA en cas de problème ?

Le fournisseur du service d'assistance désigné par IKEA examinera le produit et décidera, à sa seule discrétion, s'il est couvert par la garantie. Si tel est le cas, le fournisseur du service d'assistance IKEA ou son partenaire d'assistance autorisé se chargera, par l'intermédiaire de ses propres centres d'assistance, de réparer le produit défectueux ou de le remplacer par un produit identique ou de la même valeur, à sa seule discrétion.

Qu'est-ce qui n'est pas couvert par la garantie ?

- L'usure normale.
- Les dommages provoqués délibérément ou dus à une négligence, les dommages provoqués par le non-respect des instructions de fonctionnement, par une installation incorrecte ou par un branchement à

une tension erronée, les dommages provoqués par des réactions chimiques ou électrochimiques, la rouille, la corrosion ou les dommages provoqués par l'eau, y compris, mais sans s'y limiter, les dommages provoqués par la présence d'un excès de calcaire dans les conduites d'eau, et les dommages provoqués par des événements atmosphériques et naturels.

- Les consommables tels que les piles et les ampoules.
- Les parties décoratives et non fonctionnelles qui n'influencent pas l'utilisation normale de l'appareil électroménager, y compris les rayures et les variations de couleur.
- Les dommages accidentels provoqués par des substances ou des corps étrangers et le nettoyage ou la libération des filtres, des systèmes d'évacuation ou des bacs à lessive.
- Les dommages à des pièces comme la vitrocéramique, les accessoires, les paniers à vaisselle et couverts, les tuyaux d'alimentation et d'évacuation, les joints, les ampoules et leurs couvercles, les écrans, les poignées, les revêtements et parties de revêtement, sauf s'il est possible de démontrer que ces dommages ont été provoqués par des défauts de production.
- Les cas où aucun défaut n'a été constaté durant la visite du technicien.
- Les réparations non effectuées par le fournisseur du service nommé par IKEA ou par un partenaire d'assistance autorisé ou les réparations où des pièces non d'origine ont été utilisées.
- Les réparations provoquées par une mauvaise installation ou une installation non conforme aux spécifications.
- L'utilisation de l'appareil électroménager dans un environnement non domestique, par exemple à usage professionnel.
- Les dommages dus au transport. Si le client transporte le produit chez lui ou à une autre adresse, IKEA ne pourra en aucun cas être tenu responsable des dommages survenant pendant le transport. En revanche, si IKEA livre le produit à l'adresse de livraison du client, tout endommagement du produit survenant en cours de transport

sera couvert par la présente garantie.

- Frais d'installation initiale de l'appareil IKEA. Cependant, si un fournisseur de service nommé par IKEA ou l'un de ses partenaires d'assistance autorisé effectue une réparation ou un remplacement de l'équipement dans le cadre de la garantie, le fournisseur ou le partenaire d'assistance autorisé devra également procéder à la réinstallation de l'équipement réparé ou à l'installation de l'équipement de remplacement, si nécessaire.

Ces restrictions ne concernent pas les cas où un service après-vente qualifié a travaillé sans faire d'erreur et en utilisant les pièces d'origine afin d'adapter l'appareil aux normes de sécurité techniques d'un autre pays de l'Union européenne.

Applicabilité des lois nationales

La garantie IKEA vous donne des droits légaux spécifiques, qui couvrent ou dépassent les exigences locales. Cependant, ces conditions ne limitent en aucune façon les droits des consommateurs décrits dans la législation locale.

Zone de validité

Pour les appareils achetés dans un pays de l'Union européenne et transportés dans un autre pays de l'Union européenne, les services seront fournis dans le cadre des conditions de garantie valables dans ce dernier. L'obligation de fournir le service selon les conditions de garantie ne subsiste que si l'appareil est conforme et installé conformément aux :

- spécifications techniques du pays dans lequel est demandée l'application de la garantie ;
- consignes de sécurité contenues dans le Manuel d'utilisation.

Service Après-vente dédié aux appareils électroménagers IKEA :

N'hésitez pas à contacter le Service après-vente IKEA pour :

1. demander une assistance couverte par la garantie ;

2. demander des précisions sur l'installation des appareils électroménagers IKEA dans les meubles de cuisine spécifiques d'IKEA. Le service après-vente ne fournira pas de précision en ce qui concerne :

- l'installation de cuisines complètes IKEA ;
- les branchements électriques (si l'appareil est fourni sans câbles et fiches), les raccordements hydrauliques et les branchements à l'installation de gaz qui doivent être effectués par un technicien d'assistance autorisé.

3. demander des précisions sur le contenu du manuel d'utilisation et sur les spécifications de l'appareil électroménager IKEA.

Pour que nous puissions vous fournir la meilleure assistance, lisez attentivement les instructions de montage et/ou le chapitre concerné de la présente notice d'utilisation avant de nous contacter.

Comment nous contacter en cas de besoin ?



Consultez la liste complète des fournisseurs de service IKEA et des numéros de téléphone nationaux dans la dernière page de ce manuel.

Important ! Pour garantir un service plus rapide, il est recommandé d'utiliser les numéros de téléphone indiqués à la fin de ce manuel. Pour demander de l'assistance, toujours faire référence aux codes de l'appareil disponibles dans ce manuel. Avant de nous contacter, assurez-vous d'avoir à portée de main le code produit IKEA (8 chiffres) relatif à l'appareil électroménager pour lequel vous demandez une assistance.

Important ! CONSERVER LE TICKET !

Il s'agit de votre preuve d'achat et il est nécessaire de le présenter pour pouvoir profiter de la garantie. Le nom et le code (à 8 chiffres) de chaque appareil électroménager IKEA que vous avez achetés sont indiqués sur le ticket.

Avez-vous besoin d'aide supplémentaire ?

Pour toute question supplémentaire non liée au service après-vente de vos appareils. Veuillez contacter le centre d'appels de notre magasin IKEA le plus proche. Nous vous recommandons de lire attentivement la notice d'utilisation de l'appareil avant de nous contacter.

Indice

Informazioni sulla sicurezza	49	Cosa fare se...	57
Informazioni generali	53	Dati tecnici	58
Descrizione del prodotto	54	Efficienza Energetica	59
Pannello comandi	54	Aspetti Ambientali	60
Suggerimenti generali	55	Garanzia IKEA	60
Pulizia e manutenzione	55		

Informazioni sulla sicurezza

i Per la propria sicurezza e per il corretto funzionamento dell'apparecchio, si prega di leggere attentamente questo manuale prima dell'installazione e della messa in funzione. Tenere queste istruzioni sempre insieme all'apparecchio, anche in caso di cessione o trasferimento a terzi. È importante che gli utilizzatori conoscano tutte le caratteristiche di funzionamento e sicurezza dell'apparecchio.


! Il collegamento dei cavi deve essere effettuato da un tecnico competente.

- Il fabbricante non potrà ritenersi responsabile per eventuali danni risultanti da un'installazione o utilizzazione impropria.
- La distanza minima di sicurezza tra il piano cottura e la cappa aspirante è di 500 mm per le cappe di cucine elettriche e di 650 mm per le cappe di cucine a gas.
- Se le istruzioni di installazione del piano cottura a gas specificano una distanza maggiore di quella sopra indicata, è necessario tenerne conto.
- Controllare che la tensione di rete corrisponda a quella indicata sulla targa dati applicata all'interno della cappa.


- I dispositivi di sezionamento devono essere installati nell'impianto fisso in conformità alle normative sui sistemi di cablaggio.
- Per gli apparecchi di Classe I, controllare che la rete di alimentazione domestica disponga di un adeguato collegamento a terra.
- Collegare la cappa alla canna fumaria con un tubo di diametro minimo di 150 mm. Il percorso dei fumi deve essere il più corto possibile.
- Devono essere rispettate tutte le normative riguardanti lo scarico dell'aria.
- Non collegare la cappa aspirante ai condotti fumari che trasportano fumi di combustione (per es. di caldaie, camini ecc.).
- Se la cappa è utilizzata in combinazione con apparecchi non elettrici (per es. apparecchi a gas), deve essere garantito un sufficiente grado di aerazione nel locale per impedire il ritorno di flusso dei gas di scarico. Quando la cappa per cucina è utilizzata in combinazione con apparecchi non alimentati dalla corrente elettrica, la pressione negativa nel locale non deve superare 4 Pa per evitare che i fumi vengano riaspirati nel locale dalla cappa.
- L'aria non deve essere evacuata attraverso un condotto utilizzato per lo scarico dei fumi da apparecchi di combustione alimentati a gas o altri combustibili.
- Il cavo di alimentazione, se danneggiato, deve essere sostituito dal fabbricante o da un tecnico del servizio assistenza.
- Collegare la spina ad una presa di tipo conforme alle normative vigenti e in posizione accessibile.
- Relativamente alle misure tecniche e di sicurezza da adottare per lo scarico dei fumi è importante attenersi scrupolosamente ai regolamenti stabiliti dalle autorità locali.

 **AVVERTENZA:** prima di installare la cappa, rimuovere le pellicole di protezione.

- Usare solo viti e minuteria di tipo idoneo per la cappa.

 **AVVERTENZA:** la mancata installazione delle viti o dei dispositivi di fissaggio in conformità alle presenti istruzioni può comportare rischi di scosse elettriche.

- Collegare la cappa alla rete di alimentazione elettrica mediante un interruttore bipolare con distanza tra i contatti di almeno 3 mm.
- Non osservare direttamente con strumenti ottici (binocolo, lente d'ingrandimento....).
- Non cuocere al flambé sotto la cappa: si potrebbe sviluppare un incendio.
- Questo apparecchio può essere utilizzato da bambini di età non inferiore a 8 anni e da persone con ridotte capacità psico-fisico-sensoriali o con esperienza e conoscenze insufficienti, purché attentamente sorvegliati e istruiti su come utilizzare in modo sicuro l'apparecchio e sui pericoli che ciò comporta. Assicurarsi che i bambini non giochino con l'apparecchio. Pulizia e manutenzione da parte dell'utente non devono essere effettuate da bambini, a meno che non siano sorvegliati.
- Sorvegliare i bambini, assicurandosi che non giochino con l'apparecchio.
- L'apparecchio non deve essere utilizzato da persone (bambini compresi) con ridotte capacità psico-fisico-sensoriali o con esperienza e conoscenze insufficienti, a meno che non siano attentamente sorvegliate e istruite.

 **Le parti accessibili possono diventare molto calde durante l'uso degli apparecchi di cottura**

- Pulire e/o sostituire i filtri dopo il periodo di tempo specificato (pericolo di incendio).

- Deve essere presente un'adeguata ventilazione nel locale quando la cappa è utilizzata contemporaneamente ad apparecchi che utilizzano gas o altri combustibili (non applicabile ad apparecchi che scaricano unicamente l'aria nel locale).
- Le cappe da cucina e altri estrattori dei fumi di cottura possono compromettere il funzionamento sicuro degli apparecchi che bruciano gas o altri combustibili (compresi quelli situati in altri ambienti), a causa del flusso di ritorno dei gas di combustione. Questi gas possono provocare un avvelenamento da monossido di carbonio. Dopo l'installazione di una cappa da cucina o di un qualsiasi altro estrattore dei fumi di cottura, assicurarsi che gli apparecchi a gas vengano testati da una persona competente per garantire che non si verifichi un flusso di ritorno dei gas di combustione.

Informazioni generali

Uso

- Spegnerne o scollegare l'apparecchio dalla rete di alimentazione prima di qualunque operazione di pulizia o manutenzione.
- La cappa non deve essere utilizzata come piano d'appoggio.
- La cappa aspirante è stata progettata esclusivamente per l'eliminazione degli odori di cottura nell'uso domestico.
- Non utilizzare in nessun caso la cappa aspirante per scopi diversi da quelli per i quali è stata progettata.
- Non lasciare mai fiamme alte sotto la cappa di aspirazione quando è in funzione.
- Regolare l'intensità della fiamma in modo da dirigerla esclusivamente verso il fondo del recipiente di cottura, assicurandosi che non ne avvolga i lati.
- Le friggitorie devono essere costantemente controllate durante l'uso: l'olio surriscaldato potrebbe incendiarsi.

Modalità di installazione

La cappa è stata progettata per l'installazione e l'uso in "versione aspirante" o in "versione ricircolo d'aria".



Versione aspirante (vedere il simbolo nelle istruzioni di installazione)

Il vapore di cottura viene aspirato e convogliato al di fuori dell'abitazione

attraverso un tubo di scarico (non in dotazione) installato all'uscita del vapore della cappa. Assicurarsi che il tubo di scarico sia correttamente installato all'uscita dell'aria, utilizzando un sistema di collegamento idoneo.



Versione a ricircolo d'aria (vedere il simbolo nelle istruzioni di installazione)

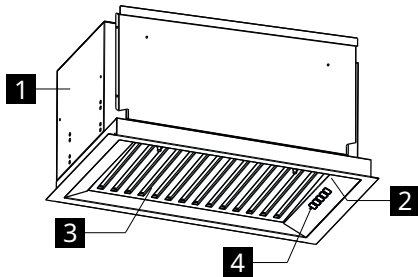
L'aria viene filtrata attraverso uno o più filtri e poi convogliata nuovamente nel locale.

Importante: Assicurarsi che vi sia una corretta circolazione dell'aria attorno alla cappa.

Importante: Se la cappa non ha in dotazione i filtri al carbone, questi devono essere ordinati e montati prima dell'uso dell'apparecchio. I filtri sono reperibili in commercio.

La cappa deve essere installata lontano da aree particolarmente sporche, finestre, porte e fonti di calore. Gli accessori per il fissaggio a parete non sono inclusi perché variano a seconda del materiale della parete. Utilizzare sistemi di fissaggio idonei alle pareti della propria abitazione e al peso dell'apparecchio. Per informazioni più dettagliate, contattare un rivenditore specializzato. Conservare queste istruzioni per future consultazioni.

Descrizione del prodotto



- 1 Corpo cappa
- 2 Illuminazione
- 3 Filtro antigrasso
- 4 Quadro comandi

Pannello comandi

Tasto	Pressione tasto	Funzione	Led
A	Breve	Mette in funzione/spegne il motore alla velocità uno.	Accesso o Spento
B	Breve	Mette in funzione il motore alla velocità due. Il Tasto A deve essere selezionato.	A + B sono accesi
C	Breve	Mette in funzione il motore alla velocità tre. Il Tasto A deve essere selezionato.	A + C sono accesi
D	Breve	Mette in funzione il motore alla velocità Intensiva. Questa velocità è temporizzata a 6 minuti. Al termine del tempo impostato, il sistema ritorna automaticamente alla velocità regolata precedentemente. Se attivata a motore spento, ritorna a OFF al termine del tempo impostato. Per disattivarla, premere il pulsante A, B o C. Il Tasto A deve essere selezionato.	A Accesso D Lampeggia
E	Breve	Accende e spegne il sistema di illuminazione alla massima intensità.	Accesso o Spento
E	Lunga	Aumenta o diminuisce l'intensità dell'illuminazione.	Accesso o Spento

Suggerimenti generali

- Azionare la cappa a velocità minima quando si inizia a cucinare e mantenerla in funzione per alcuni minuti dopo il termine della cottura.
- Aumentare la velocità solo in presenza di grandi quantità di fumo e vapore e usare la(e) velocità intensiva(e) solo in situazioni estreme.
- Sostituire il filtro o i filtri al carbone quando

necessario per mantenere una buona efficienza di abbattimento degli odori.

- Pulire il filtro o i filtri antigrasso quando necessario per mantenere una buona efficienza di assorbimento dei grassi.
- Usare il diametro massimo della canalizzazione indicato in questo manuale per ottimizzare l'efficienza e ridurre al minimo il rumore.

Pulizia e manutenzione

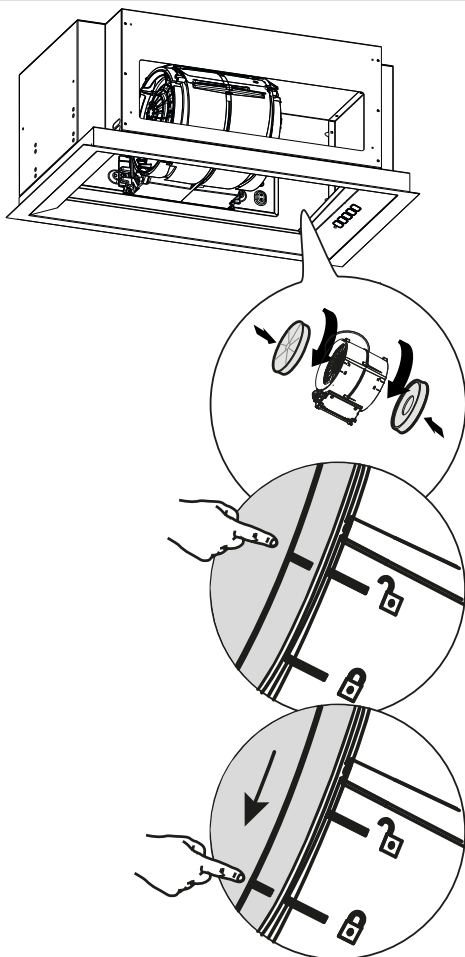


Spegnere o scollegare l'apparecchio dalla rete di alimentazione prima di qualunque operazione di manutenzione.

IMPORTANTE: Pulire la cappa utilizzando un panno umido e un detergente liquido neutro.

Filtro al carbone lunga durata (Verde)

Il filtro antiodori può essere lavato e rigenerato ogni 3-4 mesi (o più frequentemente se la cappa è sottoposta a un uso intensivo), fino a un massimo di 8 cicli di rigenerazione (in caso d'uso particolarmente intensivo si raccomanda di non superare i 5 cicli).



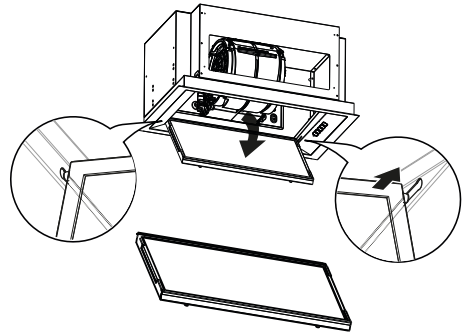
Procedura di rigenerazione

- Lavare in lavastoviglie a una temperatura MAX di 70° o lavare a mano in acqua calda senza usare spugne abrasive (non usare detergenti!).
- Asciugare in forno a una temperatura MAX di 70° per 2 ore (si raccomanda di leggere attentamente il manuale d'uso e le istruzioni di montaggio del proprio forno).

Filtri antigrasso

Continuare a pulire o sostituire i filtri agli intervalli di tempo indicati al fine di mantenere la cappa in buono stato di funzionamento ed evitare il potenziale rischio di incendio a causa di un accumulo eccessivo di grasso. I filtri antigrasso devono essere puliti ogni 2 mesi di funzionamento, o più frequentemente in caso di utilizzo molto

intenso, e possono essere lavati in lavastoviglie.

**Sostituzione lampade**

Per la sostituzione contattare un Centro Assistenza Autorizzato.

Cosa fare se...

In presenza di un guasto, cercare per prima cosa di trovare una soluzione da soli. Se non si riesce a risolvere il problema da soli, rivolgersi a un centro assistenza autorizzato.

non rispettando le istruzioni di montaggio, potrebbe essere necessario pagare la visita del tecnico del Centro Assistenza Autorizzato anche durante il periodo di validità della garanzia.

i In caso di utilizzo improprio dell'apparecchio o di installazione effettuata

PROBLEMA	POSSIBILE CAUSA	SOLUZIONE
L'apparecchio non è stabile.	L'apparecchio non è stato installato correttamente.	Seguire le istruzioni di installazione fornite insieme all'apparecchio.
L'apparecchio non è in piano.	L'apparecchio non è stato installato correttamente.	Seguire le istruzioni di installazione fornite insieme all'apparecchio.
Le prestazioni in termini di cattura dei grassi non sono soddisfacenti.	Presenza di olio e grasso sui filtri in metallo o sui filtri al carbone.	Osservare la frequenza di pulizia dei filtri come descritto nel manuale d'uso.
L'apparecchio non funziona.	L'apparecchio non è stato collegato correttamente.	Verificare che il cavo di rete sia collegato al gruppo motore o che la spina sia collegata alla presa.
La luce non funziona.	Il LED è rotto.	Per la sostituzione contattare un Centro Assistenza Autorizzato.
La cappa è più rumorosa rispetto alle aspettative del cliente.	Il diametro dello sfato dell'aria nella parete è troppo piccolo e provoca la perdita di pressione e l'aumento di velocità del motore.	Seguire le istruzioni di installazione fornite insieme all'apparecchio.
	Il prodotto è installato in modalità di ricircolo.	Il prodotto in modalità di ricircolo (e con filtro al carbone montato) è più rumoroso di un prodotto in modalità aspirante.
	Il condotto di ventilazione presenta più di una curva.	Se il sistema di evacuazione fumi dell'edificio presenta molteplici curve o copre una lunga distanza, il prodotto può risultare più rumoroso.

Prima di contattare il Centro Assistenza Autorizzato:

Riaccendere l'apparecchio per vedere se il problema è scomparso. In caso contrario, rispedirlo e ripetere l'operazione dopo un'ora. Se l'apparecchio ancora non funziona correttamente dopo aver effettuato i controlli

elencati nella guida alla risoluzione dei guasti e riacceso l'apparecchio, contattare il Centro Assistenza Autorizzato spiegando chiaramente il problema e specificando:

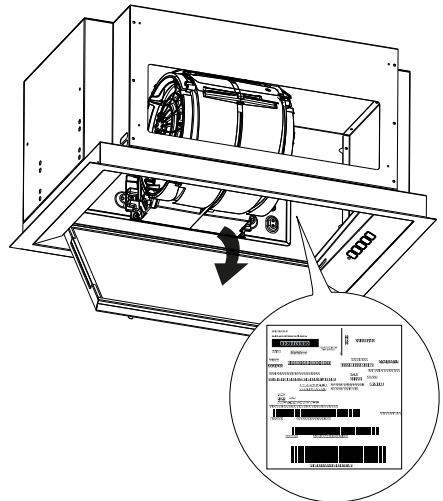
- il tipo di guasto;
- il modello;
- il tipo e il numero di serie dell'apparecchio (indicato sulla targhetta).

Dati tecnici

		Unità	Valore
Tipo di prodotto			Cappa integrata
Dimensioni	Larghezza	mm	599
	Profondità	mm	358
	Altezza min./max	mm	290
Portata d'aria max* - Scarico		m ³ /h	450
Livello max di rumore - Scarico		dBA	55
Portata d'aria max* - Ricircolo		m ³ /h	250
Livello max di rumore* - Ricircolo		dBA	66
Potenza totale		W	144
Informazioni sulla lampada	Tipo		Barra LED
	Numero e potenza		3,8W
	Attacco		N/D
Altezza minima di installazione - piano cottura a gas		mm	650
Altezza minima di installazione - piano cottura elettrico		mm	500
Peso netto		Kg	8
* Velocità massima (senza impostazione intensiva)			

Questo apparecchio è stato progettato, fabbricato e commercializzato in conformità alle direttive CEE **CE**.

I dati tecnici sono riportati sulla targhetta applicata all'interno dell'apparecchio.



Efficienza Energetica

Informazioni sul prodotto secondo il regolamento UE n° 66/2014	Unità	Valore
Nome del fornitore	IKEA	
Identificativo del modello	MÅNGSBO 906.091.16 106.176.10 906.176.11	
Consumo energetico annuale	kWh/a	26,9
Coefficiente di incremento del tempo		0,5
Efficienza fluidodinamica		40,5
Indice di efficienza energetica		29,9
Portata d'aria misurata nel punto di efficienza migliore	m ³ /h	410
Pressione dell'aria misurata nel punto di efficienza migliore	Pa	469
Portata d'aria massima	m ³ /h	450
Alimentazione elettrica misurata nel punto di efficienza migliore	W	132
Potenza nominale del sistema di illuminazione	W	3,8
Illuminazione media del sistema di illuminazione sul piano cottura	Lux	275
Consumo di corrente misurato in modalità standby	W	0,49
Consumo di corrente misurato in modalità off	W	0,0
Livello sonoro a velocità massima (senza impostazione intensiva)	dba	66

Norme di riferimento:

EN/IEC 61591
EN/IEC 60704-1
EN/IEC 60704-2-13
EN/IEC 60704-3
EN 50564


Risparmio energetico

L'apparecchio comprende caratteristiche che aiutano a risparmiare energia durante la cottura di tutti i giorni.

Aspetti Ambientali

Smaltimento degli elettrodomestici




Il simbolo  sul prodotto o sulla sua confezione indica che il prodotto non deve essere smaltito insieme ai normali rifiuti domestici. Il prodotto deve essere smaltito presso un centro specializzato nel riciclaggio di componenti elettrici ed elettronici. Assicurandosi che questo prodotto sia smaltito correttamente, contribuirà a prevenire potenziali conseguenze negative per l'ambiente e per la salute che potrebbero altrimenti derivare da uno smaltimento inadeguato. Per informazioni più dettagliate

su come riciclare questo prodotto, rivolgersi alle autorità municipali, al locale servizio di smaltimento rifiuti oppure al negozio dove è stato acquistato il prodotto.

L'apparecchio è conforme alla direttiva 2012/19/UE riguardante la riduzione delle sostanze pericolose usate nelle apparecchiature elettriche ed elettroniche e lo smaltimento dei rifiuti.

Smaltimento dei materiali d' imballaggio

I materiali con il simbolo  sono riciclabili. Smaltire i materiali d'imballaggio in appositi contenitori di raccolta per il riciclaggio.

Garanzia IKEA

Per quanto è valida la garanzia IKEA?

Questa garanzia è valida per cinque (5) anni dalla data originale di acquisto dell'apparecchio presso IKEA. Lo scontrino originale è indispensabile come ricevuta d'acquisto. Una riparazione effettuata nell'ambito della garanzia non estende il periodo di garanzia per l'apparecchio.

Chi fornisce l'assistenza?

L'assistenza ai clienti sarà garantita dal fornitore del servizio nominato da IKEA attraverso la propria organizzazione o la propria rete di partner di assistenza autorizzati.

Cosa copre la garanzia?

La garanzia copre gli eventuali difetti legati ai materiali e o alla costruzione dell'elettrodomestico ed è valida a partire dalla data di acquisto dell'elettrodomestico presso un punto vendita IKEA. La garanzia è valida solo su elettrodomestici destinati all'impiego domestico. Le eccezioni sono descritte alla voce "Cosa non copre la garanzia". Nel periodo di validità della garanzia, i costi di riparazione (pezzi di ricambio, manodopera e trasferte del

personale tecnico) saranno sostenuti dal servizio assistenza, a patto che l'accesso all'apparecchio per l'intervento di riparazione non comporti spese particolari. Queste condizioni sono conformi alle direttive UE (N. 99/44/CE) e alle norme e disposizioni locali applicabili. Le parti sostituite diventeranno di proprietà di IKEA.

Come interverrà IKEA per risolvere il problema?

Il fornitore del servizio assistenza incaricato da IKEA esaminerà il prodotto e deciderà, a propria esclusiva discrezione, se lo stesso rientra nella copertura di garanzia. In caso affermativo, il fornitore del servizio assistenza IKEA o il suo partner di assistenza autorizzato, tramite i propri centri di assistenza, provvederà a propria esclusiva discrezione a riparare il prodotto difettoso o a sostituirlo con un prodotto uguale o di pari valore.

Cosa non copre la garanzia?

- Normale usura.
- Danni provocati deliberatamente o dovuti a negligenza, danni causati dalla mancata osservanza delle istruzioni di funzionamento, da un'installazione non corretta o da collegamento a un voltaggio errato, danni pro-

vocati da reazioni chimiche o elettrochimiche, ruggine, corrosione o danni causati da acqua, inclusi a titolo non limitativo i danni causati dalla presenza di eccessivo calcare nelle condutture idriche, e danni causati da eventi atmosferici e naturali.

- Parti soggette ad usura, per esempio batterie e lampadine.
- Parti decorative e non funzionali che non influiscono sul normale utilizzo dell'elettrodomestico, compresi graffi e variazioni di colore.
- Danni accidentali provocati da sostanze o corpi estranei e pulizia o liberazione dei filtri, sistemi di scarico o cassette del detersivo.
- Danni a parti come vetroceramica, accessori, cesti per stoviglie e posate, tubi di alimentazione e scarico, guarnizioni, lampadine e relative coperture, schermi, pomelli, rivestimenti e parti di rivestimenti, salvo qualora si possa dimostrare che tali danni siano stati causati da difetti di produzione.
- Casi in cui non siano rilevati difetti durante la visita di un tecnico.
- Riparazioni non effettuate dal fornitore del servizio nominato da IKEA o da un partner di assistenza autorizzato o riparazioni in cui siano state utilizzate parti non originali.
- Riparazioni causate da installazione impropria o non conforme alle specifiche.
- Uso dell'elettrodomestico in ambiente non domestico, per esempio per uso professionale.
- Danni dovuti al trasporto. In caso di trasporto effettuato dal cliente presso la propria abitazione o un altro recapito, IKEA non potrà ritenersi responsabile per eventuali danni verificatisi durante il trasporto. Tuttavia, se il trasporto presso il recapito del cliente è effettuato da IKEA, gli eventuali danni dovuti al trasporto rientreranno nella presente garanzia.
- Costo di installazione iniziale dell'apparecchio IKEA. Tuttavia, se un fornitore di servizi nominato da IKEA o un suo partner di assistenza autorizzato effettua una riparazione o sostituzione dell'apparecchiatura nell'ambito della garanzia, il fornitore o il partner di assistenza autorizzato dovrà

provvedere anche alla reinstallazione dell'apparecchiatura riparata o all'installazione dell'apparecchiatura sostitutiva, ove necessario.

Tali limitazioni non si applicano a lavori eseguiti a regola d'arte da personale qualificato e con l'uso di parti originali per adattare l'apparecchio alle norme di sicurezza di un'altra nazione dell'UE.

Applicabilità delle leggi nazionali

La garanzia IKEA conferisce al cliente diritti legali specifici in aggiunta ai diritti previsti dalla legge e variabili a seconda dei paesi. Tuttavia, tali condizioni non limitano in alcun modo i diritti del consumatore descritti nella legislazione locale.

Area di validità

Per gli elettrodomestici acquistati in una nazione UE e trasferiti in un'altra nazione UE, i servizi saranno forniti in base alle condizioni di garanzia applicabili nella nuova nazione. L'obbligo di fornire il servizio in base alle condizioni della garanzia sussiste solo se l'apparecchio è conforme e installato conformemente alle:

- specifiche tecniche del paese in cui è richiesta l'applicazione della garanzia;
- informazioni per la sicurezza contenute nel Manuale d'uso.

Servizio Assistenza post-vendita dedicato agli elettrodomestici IKEA:

Non esitate a contattare il Servizio Assistenza post-vendita IKEA per:

1. chiedere assistenza usufruendo della garanzia;
2. chiedere chiarimenti sull'installazione degli elettrodomestici IKEA nei mobili da cucina specifici di IKEA. Il servizio non fornirà assistenza o chiarimenti in merito a:
 - installazione di cucine complete IKEA;
 - collegamenti elettrici (se l'apparecchio è fornito senza cavi e spine), allacciamenti idraulici e collegamenti all'impianto del gas che devono essere eseguiti da un tecnico di assistenza autorizzato.

3. chiedere chiarimenti sul contenuto del manuale d'uso e sulle specifiche dell'elettrodomestico IKEA.

Per garantirvi la migliore assistenza, Vi preghiamo di leggere attentamente le Istruzioni di montaggio e/o il Manuale d'uso prima di contattarci.

Come contattarci se avete bisogno del nostro intervento



Consultare l'elenco completo dei fornitori di servizio IKEA e dei relativi numeri di telefono nazionali nell'ultima pagina del presente manuale.

Importante! Per garantire un servizio più rapido, raccomandiamo di utilizzare i numeri di telefono elencati alla fine del presente manuale. Per richiedere assistenza, fate sempre riferimento ai codici specifici dell'apparecchio che trovate nel presente manuale. Prima di contattarci, assicuratevi di avere a portata di mano il codice prodotto IKEA (8 cifre) relativo all'elettrodomestico per il quale richiedete assistenza.

Importante! CONSERVATE LO SCONTRINO!

È la Vostra prova di acquisto ed è necessario esibirlo per poter usufruire della garanzia. Sullo scontrino sono riportati anche il nome e il codice (a 8 cifre) di ciascun elettrodomestico IKEA che avete acquistato.

Vi serve altro aiuto?

Per ulteriori domande non inerenti il servizio assistenza sulle apparecchiature, contattare il più vicino punto vendita IKEA. Vi preghiamo di leggere attentamente la documentazione dell'apparecchiatura prima di contattarci.

Indehold

Oplysninger om sikkerhed	63	Hvad gør man hvis...	70
Generelle oplysninger	66	Tekniske data	71
Beskrivelse af apparat	67	Energieffektivitet	72
Betjeningspanel	67	Miljømæssige aspekter	73
Generelle tips	68	IKEA garanti	73
Rengøring og vedligeholdelse	68		


Oplysninger om sikkerhed

i Af hensyn til egen sikkerhed og korrekt funktion af apparatet, bedes man omhyggeligt læse manualen, inden installation og idriftsættelse. Opbevar altid instruktionerne sammen med apparatet, også i tilfælde af overdragelse eller overflytning til tredjeparter. Det er vigtigt, at brugerne kender til alle apparatets funktionsmæssige egenskaber og sikkerhedsegenskaber.

! Tilslutningen af kablerne skal udføres af en kompetent tekniker.

- Fabrikanten kan ikke holdes ansvarlig for skader, der skyldes forkert installation eller brug.
- Minimumsafstanden mellem kogepladen og emhætten er på 500 mm for emhætter til elektriske kogeplader og på 650 mm for emhætter til gaskogeplader.
- Hvis der i installationsvejledningen til gaskogepladen er angivet en større afstand end ovenstående, skal der tages hensyn hertil.
- Kontroller, at netspændingen svarer til angivelsen på typeskiltet, der er fastgjort på indersiden af emhætten.

- Hovedafbryderne i det faste el-anlæg skal installeres i henhold til forskrifterne om kabelsystemer.
- For apparater i klasse I skal man kontrollere, at forsyningsnettet i hjemmet har en passende jordforbindelse.
- Tilslut emhætten til trækkanalen med et rør med en diameter på mindst 150 mm. Røgtransporten skal være så kort som muligt.
- Alle bestemmelser vedrørende luftudledning skal overholdes.
- Tilslut ikke emhætten til røgkanaler, der transporterer forbrændingsrøg (f.eks. fra kedler, brændeovne osv.).
- Hvis emhætten bruges sammen med ikke-elektriske apparater (for eksempel gasapparater), skal der garanteres en tilstrækkelig grad af udluftning i lokalet for at forhindre tilbagevenden af udblæsningsgasstrømmen. Når emhætten anvendes sammen med apparater, der ikke er strømforsynede, må undertrykket i rummet ikke overstige 4 Pa for at undgå, at røgen trækkes tilbage i rummet af emhætten.
- Luften må ikke udledes gennem en kanal, der bruges til udledning af røg fra forbrændingsapparater, der forsynes med gas eller andre brændstoffer.
- Hvis forsyningskablet beskadiges, skal det udskiftes af producenten eller et autoriseret servicecenter.
- Slut stikket til en lettilgængelig stikkontakt, der opfylder de gældende lovbestemmelser.
- Med hensyn til de tekniske og sikkerhedsmæssige foranstaltninger, der skal træffes i forbindelse med udledning af røg, er det vigtigt at følge de lokale myndigheders regler nøje.

 **ADVARSEL:** Inden du installerer emhætten, skal beskyttelsesfilmen fjernes.

- Brug kun skruer og små dele, der passer til hættten.

⚠ ADVARSEL: Manglende installation af skrue- eller fastgørelses-elementer i overensstemmelse med denne vejledning kan medføre risiko for elektrisk stød.

- Tilslut emhætten til strømforsyningen med en omnipolær afbryder med en afstand på mindst 3 mm mellem kontakterne.
- Betragt ikke lysdioden med brug af optisk udstyr (kikkert, forstørrelsesglas osv.).
- Flambér ikke under emhætten: Der kan opstå brand.
- Dette apparat må ikke anvendes af børn under 8 år, af personer med psykiske, fysiske og sansemæssige handicaps eller af personer med manglende erfaring eller kendskab, medmindre de overvåges og instrueres vedrørende sikker brug af apparatet og de farer, der er forbundet hermed. Sørg for, at børn ikke har mulighed for at lege med apparatet. Den rengøring og vedligeholdelse, som skal udføres af brugeren, må ikke udføres af børn, medmindre de er under opsyn.
- Der skal holdes øje med børnene for at sørge for, at de ikke har mulighed for at lege med apparatet.
- Apparatet må ikke bruges af personer (inklusive børn) med nedsat psykisk, fysisk og sensorisk evne eller med utilstrækkelig erfaring og viden, medmindre de er nøje overvåget og instrueret herom.

⚠ De tilgængelige dele kan blive meget varme under brug af apparater til madlavning

- Rengør og/eller udskift filtrene efter den angivne tidsperiode (brandfare).
- Der skal være tilstrækkelig ventilation i lokalet, når emhætten anvendes samtidig med apparater, der bruger gas eller andre brændstoffer (gælder ikke for apparater, der kun udblæser luft i lokalet).
- Køkkenemhætter og andre udsugningsapparater til mados

kan kompromittere sikker drift af apparater, der forbrænder gas eller andre former for brændstof (herunder dem, der er placeret i andre lokaler), på grund af forbrændingsgassernes returstrømning. Gasserne kan forårsage kulilteforgiftning. Når man har installeret en køkkenemhætte eller et hvilket som helst andet udsugningsapparat til mados, skal man sørge for, at gasapparaterne testes af en kompetent person for at sikre, at der ikke er nogen returstrømning af forbrændingsgasser.

Generelle oplysninger

Anvendelse

- Sluk apparatet eller kobl det fra strømfor- syningen inden rengøring eller vedligehol- delsarbejde.
- Emhætten må ikke bruges som bordplade.
- Emhætten er udelukkende beregnet til at fjerne lugtene fra madosen i husholdnin- ger.
- Brug aldrig emhætten til andre formål end dem, den er beregnet til.
- Brug aldrig høje flammer under emhætten, når den er i brug.
- Juster flammens intensitet, så den kun er rettet mod bunden af gryden, og sørg for, at den ikke går op om siderne.
- Frituregryder skal kontrolleres konstant under brug: overophedet olie kan antæn- de.

Installationsmåde

Emhætten er designet til installation og brug i enten "udsugningsversionen" eller "recirkulationsversionen".



Udsugningsversion (se symbolet i installationsvejledningen)

Madosen suges ind og transporteres ud af hjemmet via en udledningsslange (medfølger

ikke), der installeres ved emhættens dampudledning. Sørg for, at udledningsslangen er korrekt installeret ved luftudtaget ved hjælp af et passende tilslutningssystem.



Recirkulationsversion (se symbolet i installationsvejledningen)

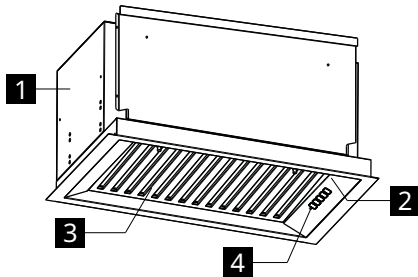
Luften filtreres gennem et eller flere filtre og ledes derefter tilbage i rummet.

Vigtigt: Sørg for, at der er god luftcirkulation omkring emhætten.

Vigtigt: Hvis emhætten ikke leveres med kulfiltre, skal disse bestilles og monteres, før apparatet tages i brug. Filtrene fås i handelen.

Emhætten skal installeres væk fra særligt snavsede områder, vinduer, døre og varmekilder. Tilbehør til vægmontering er ikke inkluderet, fordi det varierer afhængigt af vægmaterialet. Brug fastgørelsessystemer, der er egnede til væggene i dit hjem og apparatets vægt. Kontakt en specialforhandler for mere detaljerede oplysninger. Opbevar denne vejledning til senere brug.

Beskrivelse af apparat



- 1 Emhættens struktur
- 2 Belysning
- 3 Fedtfilter
- 4 Betjeningspanel

Betjeningspanel

Tast	Tryk på tast	Funktion	LED
A Hastighed	Kort	Tænder/slukker motoren ved den 1. hastighed.	Tændt eller Slukket
B Hastighed	Kort	Starter motoren ved hastighed to. Tasten A skal være valgt.	A + B ee tændt
C Hastighed	Kort	Starter motoren ved hastighed tre. Tasten A skal være valgt.	A + C ee tændt
D Hastighed	Kort	Tænder motoren ved den Intensive hastighed. Denne hastighed er tidsindstillet til 6 minutter. Når den indstillede tid er forløbet, går systemet automatisk tilbage til den hastighed, der var valgt tidligere. Hvis den aktiveres, når motoren er slukket, går systemet tilbage til indstillingen Slukket, når den indstillede tid er forløbet. Tryk på tasten A, B eller C for at deaktivere funktionen. Tasten A skal være valgt.	A Tændt D Blinkende
E Lys	Kort	Tænder og slukker lyset ved maks. lysstyrke.	Tændt eller Slukket
	Langt	Øger eller sænker lysstyrken.	Tændt eller Slukket

Generelle tips

- Lad emhætten køre på laveste hastighed, når du begynder at lave mad, og lad den køre i et par minutter efter, at madlavningen er færdig.
- Øg kun hastigheden, hvis der er store mængder røg og damp, og brug kun den/de intensive hastighed(er) i ekstreme situationer.
- Udskift kulfilteret/-filtrene, når det er nødvendigt for at opretholde en god luftfjernelseffektivitet.
- Rengør fedtfilteret/-filtrene, når det er nødvendigt for at opretholde en god fedtfjernelseffektivitet.
- Brug den maksimale kanaldiameter, der er angivet i denne vejledning, for at optimere effektiviteten og minimere støjen.

Rengøring og vedligeholdelse

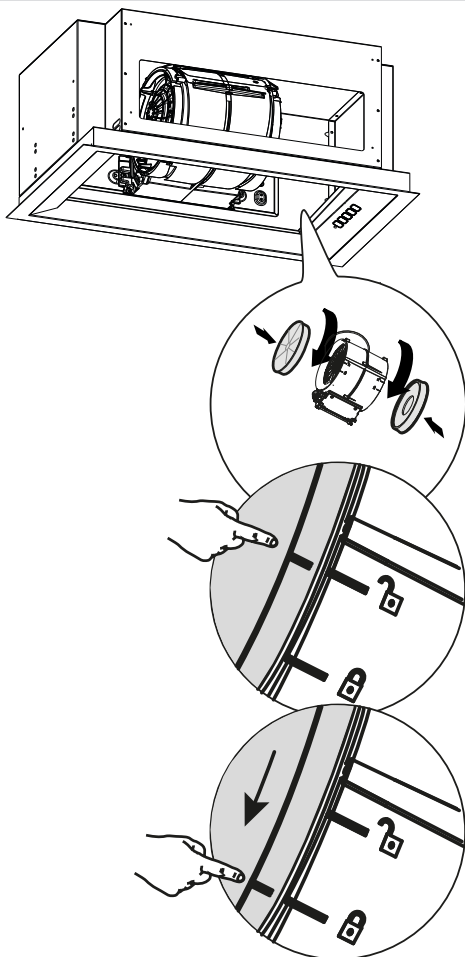


Sluk apparatet eller kobl det fra strømforsyningen inden vedligeholdelsesarbejde.

VIGTIGT: Rengør emhætten med en fugtig klud og et neutralt flydende rengøringsmiddel.

Langtidsholdbart kulfilter (Grønt)

Luftfiltrerende filtre kan vaskes og regenereres hver 3-4 måneder (eller hyppigere hvis emhætten udsættes for særlig intensiv brug). Der kan maksimalt gennemføres 8 regenereringscykluser (ved intensiv brug af filteret anbefales det ikke at overstige 5 cykluser).

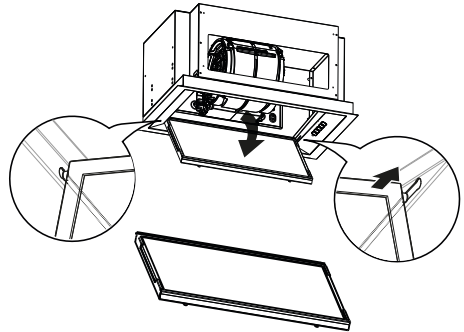


Fremgangsmåde for regenerering

- Filtrene kan vaskes i opvaskemaskine ved en MAX. temperatur på 70 °C eller i hånden i varmt vand uden brug af skuresvampe (brug ikke rengøringsmidler!).
- Tør i ovnen ved en MAKS. temperatur på 70 °C i 2 timer (det anbefales, at du nøje læser brugsanvisningen og monteringsanvisningerne vedrørende den indkøbte ovn).

Fedtfiltre

Fortsæt med rengøring eller udskift filtrene ifølge de angivne intervaller for at holde emhætten i god stand og undgå eventuel brandfare pga. fedtphobning. Fedtfiltrene skal rengøres hver 2 måneders aktivitet eller oftere i tilfælde af meget intens brug og kan vaskes i opvaskemaskinen.

**Udskiftning af lamperne**

Kontakt et autoriseret servicecenter for udskiftning.

Hvad gør man hvis...

Hvis der opstår en fejl, skal man først forsøge selv at finde en løsning. Kontakt et autoriseret servicecenter, hvis du ikke selv kan løse problemet.

i I tilfælde af forkert brug af apparatet eller installation, der ikke er udført i

overensstemmelse med installationsvejledningen, skal man muligvis selv betale for besøg af en tekniker fra det autoriserede servicecenter, selv i garantiperioden.

PROBLEM	MULIG ÅRSAG	LØSNING
Apparatet er ikke stabilt.	Apparatet er ikke installeret korrekt.	Følg installationsvejledningen, der blev leveret sammen med apparatet.
Apparatet står ikke plant.	Apparatet er ikke installeret korrekt.	Følg installationsvejledningen, der blev leveret sammen med apparatet.
Fedtopsamlingsdydeevnen er ikke tilfredsstillende.	Der er olier og fedtstoffer til stede på metalfiltre og kulfiltre.	Overhold rengøringsfrekvensen for filtrene som beskrevet i brugsvejledningen.
Apparatet virker ikke.	Apparatet er ikke korrekt tilsluttet.	Kontrollér, at elledningen er tilsluttet motorenheden, eller at stikket er sat i stikkontakten.
Lyset virker ikke.	LED'en er beskadiget.	Kontakt et autoriseret servicecenter for udskiftning.
Emhætten støjer mere end kunden forventede.	Diameteren på luftudsugningen i væggen er for lille og medfører tryktab og hastighedsforøgelse på motoren.	Følg installationsvejledningen, der blev leveret sammen med apparatet.
	Produktet er installeret i recirkulations-tilstand.	Produktet er mere støjende i recirkulationstilstand (og med kulfilter monteret) end et produkt i udsugningstilstand.
	Der er mere end et buk på ventilationskanalen.	Hvis bygningens røgevakueringssystem har flere buk eller strækker sig over en lang afstand, kan produktet være mere støjende.

Før du kontakter det autoriserede servicecenter:

Tænd for enheden igen for at se, om problemet er forsvundet. Hvis det ikke er tilfældet, skal du slukke igen og gentage proceduren efter en time. Hvis apparatet stadig ikke fungerer korrekt efter at have

udført alle de kontroller, der er anført i vejledningen til afhjælpning af problemer, og tændt for apparatet igen, skal du kontakte det autoriserede servicecenter og tydeligt forklare problemet og angive:

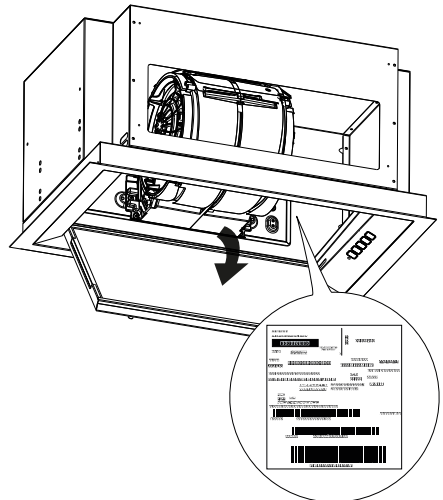
- typen af fejl
- model
- type og serienummer på apparatet (angivet på skiltet).

Tekniske data

		Enhed	Værdi
Produkttype			Indbygget emhætte
Mål	Bredde	mm	599
	Dybde	mm	358
	Min./maks. højde	mm	290
Maks.* luftstrøm - Udledning		m ³ /h	450
Maks. støjniveau - Udledning		dBA	55
Maks.* luftstrøm - Recirkulation		m ³ /h	250
Maks. støjniveau* - Recirkulation		dBA	66
Samlet effekt		W	144
Oplysninger på lampen	Type		LED-bjælke
	Antal og effekt		3,8 W
	Kobling		Ikke relevant
Minimum installationshøjde - gaskogeplade		mm	650
Minimum installationshøjde - elkogeplade		mm	500
Nettovægt		Kg	8
* Maksimal hastighed (uden intensiv indstilling)			

Dette apparat er designet, fremstillet og markedsført i overensstemmelse med EØF-direktiverne **CE**.

De tekniske data kan ses på typeskiltet på indersiden af apparatet.



Energieffektivitet

Produktoplysninger iht. EU-forordning nr. 66/2014	Enhed	Værdi
Leverandørens navn	IKEA	
Modelidentifikation	MÅNGSBO 906.091.16 106.176.10 906.176.11	
Årligt effektivitetforbrug	kWh/a	26,9
Tidsforøgelsesfaktor		0,5
Hydraulisk effektivitet		40,5
Energieffektivitetsindeks		29,9
Målt luftstrøm i det optimale driftspunkt	m ³ /h	410
Målt luftryk i det optimale driftspunkt	Pa	469
Maks. luftstrøm	m ³ /h	450
Målt elektrisk effektoptag i det optimale driftspunkt	W	132
Nominel effekt for belysningsystem	W	3,8
Medium belysning fra belysningsystemet på kogepladen	Lux	275
Strømforbrug målt i standby-tilstand	W	0,49
Strømforbrug målt i off-tilstand	W	0,0
Lydniveau ved maks. hastighed (uden intensiv indstilling)	dba	66

Referencestandarder:

EN/IEC 61591
EN/IEC 60704-1
EN/IEC 60704-2-13
EN/IEC 60704-3
EN 50564


Energibesparelse

Apparatet har funktioner, der hjælper med at spare energi under den daglige madlavning.

Miljømæssige aspekter

Bortskaffelse af hårde hvidevarer




Symbolet  på produktet eller på emballagen angiver, at produktet ikke må bortskaffes sammen med normalt husholdningsaffald. Produktet skal bortskaffes på et center, der er specialiseret i genbrug af elektriske og elektroniske komponenter. Ved at sikre, at produktet bortskaffes korrekt, hjælper du med at forebygge mulige negative konsekvenser for miljøet og sundheden som følge af uegnet bortskaffelse. For mere detaljerede

oplysninger om, hvordan produktet kan genvindes, skal du kontakte de kommunale myndigheder, dit lokale renovationselskab eller den butik, hvor du købte produktet.

Apparatet overholder direktivet 2012/19/EU om reduktion af farlige stoffer, der bruges i elektrisk og elektronisk udstyr og bortskaffelse af affald.

Bortskaffelse af emballagematerialer

Materialer med symbolet  kan genbruges. Bortskaf emballagematerialerne i egnede indsamlingsbeholdere til genbrug.

IKEA garanti

Hvor længe gælder IKEA garantien?

Denne garanti er gyldig i fem (5) år fra datoen for køb af apparatet hos IKEA. Den originale kvittering er påkrævet som bevis for købet. Hvis der udføres servicearbejde under garantien, vil det ikke forlænge garantiperioden for apparatet.

Hvem yder service?

IKEA's serviceleverandør står for servicen igennem sit eget netværk eller et netværk af autoriserede servicecentre.

Hvad er dækket af garantien?

Garantien dækker fejl på apparatet, der skyldes materiale- eller produktionsfejl, fra datoen for købet hos IKEA. Denne garanti gælder kun i forbindelse med husholdningsbrug. Undtagelserne er specificeret under overskriften "Hvad er ikke dækket af garantien?" I den gyldige garantiperiode afholdes reparationsudgifter (reservedele, arbejdstimer og udkørsel af teknisk personale) af servicecentret, forudsat at adgang til apparatet for reparation ikke medfører særlige ekstraomkostninger. Disse betingelser er i overensstemmelse med EU-direktiver (99/44/EF) og de respektive lokale

bestemmelser gældende. Udskiftede dele tilfalder IKEA.

Hvad gør IKEA for at afhjælpe problemet?

IKEA's serviceleverandør undersøger produktet og vurderer selv, om det hører ind under garantidækning. Hvis det gør, sørger IKEA's serviceleverandør eller en autoriseret partner igennem egne servicecentre selv for at reparere det defekte produkt eller udskifte det med et lignende produkt eller af samme værdi.

Hvad er ikke dækket af garantien?

- Normalt slid.
- Skader, der er forsætlige eller skyldes manglende vedligeholdelse eller manglende overholdelse af brugsanvisningerne, ukorrekt installation eller tilslutning til forkert spænding, samt skader, der skyldes kemiske eller elektrokemiske reaktioner, rust, korrosion eller vandskader, herunder og ikke begrænset til højt indhold af kalk i vandrør eller skader forårsaget af vejr- eller naturhændelser.
- Forbrugsstoffer herunder batterier og pærer.
- Pyntede og ikke funktionelle dele, der ikke har indflydelse på normal brug af produktet, herunder ridser og farveæ-

dringer.

- Skader, som følge af uheld forårsaget af fremmedlegemer eller -substanser og rengøring eller rensning af filtre, tømningssystemer eller vaskemiddelskuffer.
- Beskadigelse af følgende dele: Keramisk glas, tilbehør, spisestel og bestikkurve, forsynings- og drænrør, pakninger, lamper og lampeskærme, skærme, knapper, kabinetter og dele af kabinetter. Medmindre det kan bevises, at sådanne skader er forårsaget af produktionsfejl.
- I tilfælde hvor der ikke findes nogen fejl under et teknikerbesøg.
- Reparationer, der ikke udføres af IKEA's serviceleverandør eller et autoriseret servicecenter, eller hvor der er anvendt uoriginale reservedele.
- Reparationer på grund af fejlagtig installation, eller hvor specifikationerne ikke er overholdt.
- Brug af produktet uden for husholdningen, fx professionel brug.
- Transportskader. Hvis en kunde selv transporterer apparatet til sit hjem eller til en anden adresse, er IKEA ikke ansvarlig for nogen skade, der måtte opstå under transporten. Hvis IKEA derimod leverer apparatet til kundens leveringsadresse, vil skader, der opstår under transporten, blive dækket af denne garanti.
- Indledningsvise installationsomkostninger for IKEA apparatet. Hvis en IKEA serviceleverandør eller et autoriseret servicecenter udfører en reparation eller en udskiftning af apparatet i forbindelse med garantien, skal leverandøren eller det autoriserede servicecenter også sørge for geninstallation af det reparerede apparat eller installation af et nyt apparat, hvis nødvendigt.

Disse begrænsninger gælder ikke for fejlfrit arbejde udført af en autoriseret specialist og under anvendelse af originale reservedele med det formål at tilpasse apparatet til tekniske sikkerhedsbestemmelser i et andet EU-land.

Gældende national lovgivning

IKEA garantien giver kunden specifikke

lovmæssige rettigheder, som dækker eller overstiger alle lokale juridiske krav, der kan være forskellige fra land til land. Disse betingelser begrænser på ingen måde forbrugers rettigheder i medfør af gældende national lov.

Gyldighedsområde

For apparater købt i et EU-land og medbragt til et andet EU-land vil serviceydelse blive leveret i henhold til de garantibetingelser, der er gældende i det nye land.

Serviceydelsesforpligtelsen i henhold til garantibetingelserne gælder kun, hvis apparatet er i overensstemmelse og installeret i henhold til:

- tekniske specifikationer i landet, hvor garantien tages i brug
- sikkerhedsoplysningerne i brugsanvisningen.

Eftersalgssupport for IKEA hårde hvidevarer:

Du kan altid kontakte IKEA's eftersalgssupport for at:

1. anmode om support under garantien
2. bede om oplysninger vedrørende installation af IKEA hårde hvidevarer i IKEA køkkenmøbler. Servicen giver ikke yderligere oplysninger i forbindelse med:
 - installation af komplette IKEA køkkener
 - elektriske tilslutninger (hvis apparatet leveres uden kabler og stik), vand- og gastilslutninger, som skal udføres af en autoriseret servicetekniker.
3. få præcisering omkring brugsanvisningens indhold og IKEA apparatets specifikationer.

For at sikre, at vi yder dig den bedste service, bedes du venligst læse monteringsanvisningerne og/eller brugsanvisningen omhyggeligt igennem, inden du kontakter os.

Hvordan kontakter du os i tilfælde af servicebehov



Se sidste side i denne vejledning, hvor der findes en liste over IKEA's nationale autoriserede servicecentre og telefonnumre.

Vigtigt! For at give dig en hurtigere service, anbefaler vi, at du bruger et af de specifikke telefonnumre i denne brugsanvisning. Oplys altid apparates specifikke koder, som findes i denne brugsanvisning. Ligeledes skal du referere til IKEA produktnummeret (8 cifret

kode) til det apparat, der er behov for service til.

Vigtigt! GEM ALTID KVITTERINGEN!

Den er dit bevis på købet, og er nødvendig for garantiens gyldighed. Købskvitteringen indeholder ligeledes IKEA navnet og produktnummeret (8 cifret kode) for det købte IKEA apparat.

Har du brug for ekstra hjælp?

For eventuelle yderligere spørgsmål, der ikke er relateret til eftersalg af dine apparater. Kontakt venligst vores nærmeste IKEA call center. Vi anbefaler, at du læser dokumentationen til apparatet omhyggeligt igennem, inden du kontakter os.

Innhold

Sikkerhetsinformasjon	76	Hva gjør man hvis...	83
Generell informasjon	79	Tekniske data	84
Beskrivelse av apparatet	80	Energieffektivitet	85
Betjeningspanel	80	Miljøaspekter	86
Generelle anbefalinger	81	IKEA-garanti	86
Rengjøring og vedlikehold	81		

Sikkerhetsinformasjon


i For egen sikkerhets skyld, og for korrekt bruk av apparatet, bør man lese denne håndboken nøye før installasjon og idriftsettelse. Oppbevar alltid disse instruksjonene sammen med apparatet, også ved salg eller annen overhendelse til tredjepart. Det er viktig at brukerne kjenner til alle bruks- og sikkerhetsfunksjonene til apparatet.

! Tilkobling av ledninger må gjøres av en faglært tekniker.

- Produsenten kan ikke holdes ansvarlig for skader som skyldes feilaktig installasjon eller bruk.
- Minste sikkerhetsavstand mellom platetoppen og ventilatoren er 500 mm for elektriske ventilatorer og 650 mm for gassdrevne ventilatorer.
- Hvis instruksjonene for installasjon av gassplatetoppen oppgir en større avstand enn den som er oppgitt, må man rette seg etter dette.
- Kontroller at nettspenningen samsvarer med det som er oppgitt på merkingen på innsiden av ventilatoren.
- Frakoblingsinnretningene må installeres i det faste systemet, i

samsvar med gjeldende forskrifter for ledningsnett.

- For apparater i Klasse I må du kontrollere at strømmettet er utstyrt med en tilstrekkelig jordforbindelse.
- Koble sammen ventilatoren og røykkanalen ved hjelp av et rør med diameter på minst 150 mm. Røykkanalen må være så kort som overhode mulig.
- Alle forskrifter som angår avtrekk av luft må etterfølges.
- Ikke koble ventilatoren til røykkanaler som transporterer forbrenningsrøyk (f.eks. kjeler, peiser osv.).
- Hvis ventilatoren brukes sammen med apparater som ikke er elektriske (f.eks. gassapparater), må man alltid kunne garantere en tilstrekkelig grad av luftutveksling i lokalet, for å hindre at det kommer avtrekksgass i retur. Når ventilatoren brukes sammen med apparater som ikke går på elektrisk strøm, må det negative trykket i lokalet ikke være over 4 Pa, for å unngå at røyk trekkes ut igjen i lokalet av ventilatoren.
- Luften må ikke transporteres via en kanal som brukes til å føre ut røyk fra apparater som forsynes med gass eller andre forbrenningsprodukter.
- En skadet forsyningskabel må skiftes ut av produsenten eller av en tekniker fra kundeservice.
- Koble til støpslet i en stikkontakt på et tilgjengelig sted som samsvarer med gjeldende forskrifter.
- Angående tekniske og sikkerhetsrelaterte foranstaltninger som må følges for avtrekk av røyk, er det viktig å følge samtlige retningslinjer som er fastsatt av lokale myndigheter.

 **ADVARSEL:** Før ventilatoren installeres må man fjerne beskyttelsesfolien.

- Bruk kun skruer og tilbehør som er tilpasset ventilatoren.

⚠ ADVARSEL: Hvis det ikke settes på skruer eller festemidler som er vist i disse anvisningene, kan dette medføre risikoer for elektriske støt.

- Koble ventilatoren til strømnettet via en topolet bryter med kontaktavstand på minst 3 mm.
- Ikke se rett på apparatet med optiske instrumenter (kikkert, forstørrelsesglass).
- Man må ikke flambere under ventilatoren, da dette kan føre til brann.
- Dette apparatet kan brukes av barn over 8 års alder, samt av personer med nedsatte psykofysiske eller sansemessige evner, eller med utilstrekkelig erfaring og kunnskap, så lenge de blir nøye overvåket og mottar instruksjoner om sikker bruk av apparatet og farene dette medfører. Se til at barn ikke leker med apparatet. Rengjøring og vedlikehold som utføres av brukeren må ikke overlates til barn, såfremt disse ikke holdes under oppsyn.
- Hold barn under oppsyn slik at de ikke leker med apparatet.
- Dette apparatet må ikke brukes av personer med nedsatte psykofysiske eller sansemessige evner, eller med utilstrekkelig erfaring og kunnskap, såfremt de ikke holdes nøye under oppsyn og har vært gjenstand for opplæring.

⚠ Deler som kan nås av brukeren kan bli svært varme under bruk av stekeapparater

- Rengjør og/eller bytt ut filterne etter angitt tid (brannfare).
- Det må være god luftutveksling i lokalet når ventilatoren er i bruk sammen med andre apparater som bruker gass eller andre forbrenningsprodukter (gjelder ikke for apparater som kun fører ut ren luft i lokalet).
- Ventilatorhetter og andre avtrekk kan svekke sikker drift av apparater som forbrenner gasser eller annet brennstoff (in-

kludert de som befinner seg i andre omgivelser), som følge av returstrøm av forbrenningsgasser. Disse gassene kan forårsake karbonmonoksidforgiftning. Etter at du har installert en ventilatorhette eller annen avtrekksvifte, må du sørge for at gassapparatene er testet av en kompetent person, for å sikre at det ikke finnes returstrøm av forbrenningsgasser.

Generell informasjon

Bruk

- Slå av og koble fra apparatet fra strømnettet før det foretas rengjøring eller vedlikehold.
- Ventilatoren må ikke brukes som hvileflate.
- Ventilatoren er designet utelukkende for å eliminere lukt fra matlaging i vanlige husholdninger.
- Bruk aldri ventilatoren til andre formål enn den er blitt utviklet for.
- Ikke ha åpne flammer under ventilatoren når den er i funksjon.
- Reguler intensiteten i flammen slik at den pekes mot bunnen av fatet og ikke brenner langs kantene.
- Frityrkokere må kontrolleres konstant når de er i bruk. Overopphetet olje kan ta fyr.

Installasjonsmåte

Ventilatoren er blitt utviklet for installasjon og bruk i "avtrekksversjon" eller i "luftsirkulasjonsversjon".



Avtrekksversjon (se symbolet i installasjonsanvisningen)

Matos vil trekkes og føres ut av boligen via et avtrekksrør (medfølger ikke) montert i utløpet på ventilatoren. Se til at avtrekksrøret er korrekt montert på utløpet til ventilatoren via et egnet system.



Luftsirkulasjonsversjon (se symbolet i installasjonsanvisningen)

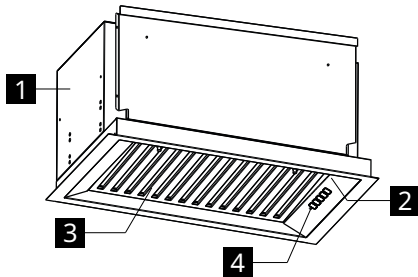
Luften filtreres via en eller flere filtre og føres deretter på nytt tilbake i lokalet.

Viktig: Se til at det er korrekt luftsirkulasjon rundt ventilatoren.

Viktig: Hvis ventilatoren skal utstyres med kullfilter, må disse bestilles og monteres før apparatet tas i bruk. Filtrene er tilgjengelig i vanlig varehandel.

Ventilatoren må monteres langt fra spesielt skitne steder, vinduer, dører og varmekilder. Tilbehør for veggmontering medfølger ikke, da de varierer avhengig av veggmateriale. Bruk festesystemer som er egnet for veggmaterialet i den aktuelle boligen og vekten til apparatet. For mer detaljert informasjon bes man kontakt spesialisert forhandler. Ta vare på disse instruksjonene for senere bruk.

Beskrivelse av apparatet



- 1 Ventilatorhus
- 2 Belysning
- 3 Fettfilter
- 4 Betjeningspanel


Betjeningspanel

Tast	Tastetrykk	Funksjon	Led
A Hastighet	Kort	Slår motoren på og av med den første hastigheten.	På eller Av
B Hastighet	Kort	Slår motoren på ved hastighet 2. Tasten A må være valgt.	A + B er tent
C Hastighet	Kort	Slår motoren på ved hastighet 3. Tasten A må være valgt.	A + C er tent
D Hastighet	Kort	Slår på motoren med den Intensive hastigheten. Denne hastigheten er tidsstyrt til 6 minutter. Når den innstilte tiden er utløpt, går systemet automatisk tilbake til den tidligere innstilte hastigheten. Hvis den aktiveres mens motoren er slått av, går systemet tilbake til innstillingen Slått av når den innstilte tiden er utløpt. Trykk på knappen A, B eller C for å deaktivere. Tasten A må være valgt.	A Tent D Blinker
E Lamper	Kort	Slår belysningen på og av med maks styrke.	På eller Av
	Langt	Øker eller reduserer lysstyrken.	På eller Av

Generelle anbefalinger

- Bruk ventilatoren ved minste hastighet når man begynner å lage mat og hold den i funksjon i noen minutter etter at matlagingen er avsluttet.
- Øk hastigheten kun hvis det er store mengder røyk og damp og bruk intensiv hastighet kun hvis situasjonene er ekstreme.
- Skift ut filter eller filtre når nødvendig for å opprettholde god effektivitet i fjerning av vond lukt.
- Rens filter eller filtre når nødvendig for å opprettholde god effektivitet i fjerning av fett.
- Bruk maksimal kanaliseringsdiameter angitt i denne håndboken for å optimalisere effektivitet og redusere støy til et minimum.

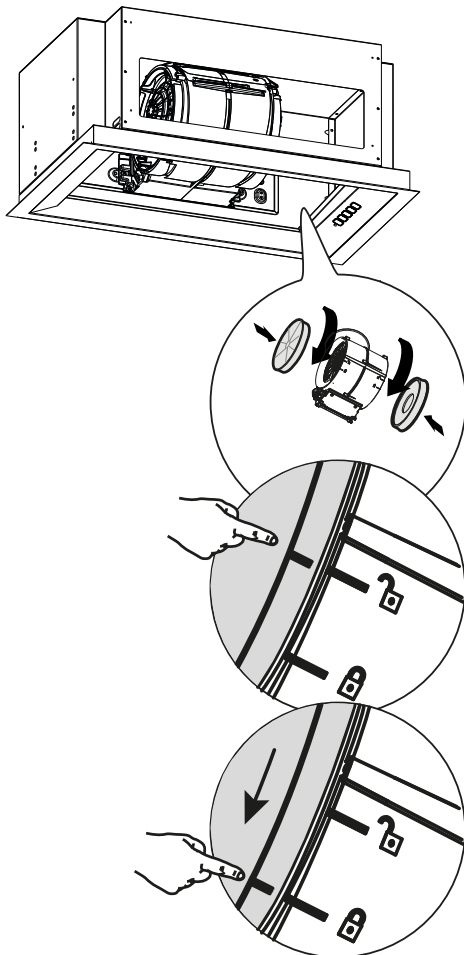
Rengjøring og vedlikehold

 Slå av og koble fra apparatet fra strømmen før det utføres vedlikehold.

VIKTIG: Bruk kun en fuktig klut og et mildt flytende rengjøringsmiddel til rengjøringen av kjøkkenviften.

Kullfilter med lang holdbarhet (Grønn)

Luktfilter kan renses og regenereres hver 3-4 måned (eller oftere hvis hetten er gjenstand for intensiv bruk), opp til maksimalt 8 regenereringssykluser (ved spesielt intensiv bruk anbefales det at man ikke overstiger 5 sykluser).

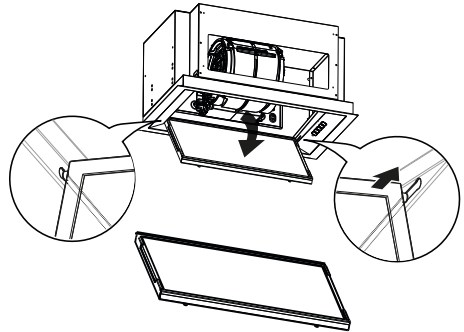


Regenereringsprosedyre

- Vask filteret i oppvaskmaskinen på MAX 70°, eller for hånd i varmt vann uten bruk av slipende svamper (ikke bruk oppvaskmidler!).
- Tørk i stekeovnen på MAX 70° i 2 timer (vi anbefaler å lese stekeovnens bruksveiledning og monteringsinstruksjoner nøye).

Fettfilter

Rens eller skift ut filterene i henhold til de oppgitte tidsintervallene, slik at hetten holdes i god driftsmessig stand og man unngår risiko for antenner som følge av fettdannelse. Fettfilterene kan vaskes i oppvaskmaskin og må rengjøres etter hver 2 måneders drift, eller hyppigere hvis de brukes veldig intenst.



Utskifting av lamper

For å skifte den ut må man kontakte et autorisert kundesenter.

Hva gjør man hvis...

Hvis det oppstår en feil må man først prøve å finne en løsning på egenhånd. Hvis man ikke klarer å løse problemet på egenhånd bes man kontakte et autorisert servicesenter.

i Hvis apparatet brukes på feil måte eller ikke installeres i henhold til monteringsanvisningene, vil det kanskje være nødvendig å betale for inngrepet fra vår kundeservice eller forhandleren også i løpet av garantiperioden.

PROBLEM	MULIG ÅRSAK	LØSNING
Apparatet er ikke stabilt.	Apparatet er ikke blitt korrekt installert.	Følg installasjonsanvisningene som ble levert sammen med apparatet.
Apparatet er ikke i vater.	Apparatet er ikke blitt korrekt installert.	Følg installasjonsanvisningene som ble levert sammen med apparatet.
Fettabsorberingsevnen er ikke tilfredsstillende.	Olje og fett i metallfiltrene eller karbonfiltrene.	Følg intervallene for filterrens som er gjengitt i bruksanvisningen.
Apparatet fungerer ikke.	Apparatet er ikke blitt korrekt tilkoblet.	Kontroller at nettledningen er tilkoblet motorenheten eller at støpslet er tilkoblet stikkontakten.
Lyset fungerer ikke.	LED-lampen er defekt.	For å skifte den ut må man kontakte et autorisert kundesenter.
Ventilatoren støyer mer enn det som kunden forventet.	Diameteren til luftutløpet i veggen er for liten og forårsaker trykktap og økning i motorens hastighet.	Følg installasjonsanvisningene som ble levert sammen med apparatet.
	Produktet er installert i resirkuleringsmodus.	Produkt i resirkuleringsmodus (og med karbonfilter montert) støyer mer enn et produkt i avtrekksmodus.
	Avtrekkskanalen har mer enn én bøy.	Hvis røykavtrekksystemet i bygget har flere bøyer, eller hvis avtrekkskanalen er spesielt langt, vil produktet kunne støye mer.

Før man kontakter et autorisert kundesenter:

Slå på apparatet igjen for å se om problemet er blitt løst. I motsatt fall må man slå det på igjen og gjenta operasjonen etter en time. Hvis apparatet fortsatt ikke fungerer korrekt etter at alle kontroller som er listet opp i

veiledningen for problemløsning er blitt utført og apparatet er blitt slått på igjen, bes man kontakte autorisert service og forklare problemet i detalj:

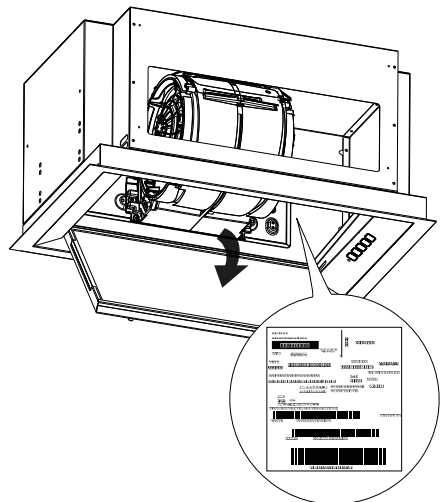
- Type feil.
- Modell.
- Type- og serienummer til apparatet (finnes på merkeskiltet).

Tekniske data

		Enhet	Verdi
Type produkt			Integrert hette
Mål	Bredde	mm	599
	Dybde	mm	358
	Høyde min/maks	mm	290
Maks luftkapasitet* - Ut		m ³ /t	450
Maks støynivå* - Ut		dBA	55
Maks luftkapasitet* - Resirkulasjon		m ³ /t	250
Maks støynivå* - Resirkulasjon		dBA	66
Total effekt		W	144
Lampeinformasjon	Type		LED-list
	Nummer og effekt		3,8 W
	Forbindelse		I/R
Minste installasjonshøyde - gassdrevet platetopp		mm	650
Minste installasjonshøyde - elektrisk platetopp		mm	500
Nettovekt		Kg	8
* Maksimal hastighet (uten intensiv innstilling)			

Dette apparatet er blitt utformet, tilvirket og lansert på markedet i samsvar med EEC-direktivene **CE**.

Tekniske data er gjengitt på merkeskiltet til apparatet.



Energieffektivitet

Informasjon om produkt i henhold til Eu-forordning nr. 66/2014	Enhet	Verdi
Leverandørnavn	IKEA	
Modellbetegnelse	MÅNGSBO 906.091.16 106.176.10 906.176.11	
Effektivt årlig konsum	kWh/a	26,9
Tidsøkefaktor		0,5
Fluiddynamisk effektivitet		40,5
Energieffektivitetsindeks		29,9
Målt luftstrømningsmengde ved punktet for beste virkningsgrad	m ³ /t	410
Målt lufttrykk ved punktet for beste virkningsgrad	Pa	469
Maks luftkapasitet*	m ³ /t	450
Målt elektrisk inngangseffekt ved punktet for beste virkningsgrad	W	132
Nominell effekt i lysanlegg	W	3,8
Middels lysanleggsbelysning på platetopp	Lux	275
Strømforbruk målt i standby-modus	W	0,49
Strømforbruk målt i av-modus	W	0,0
Støynivå ved maksimal hastighet (uten intensiv innstilling)	dB(A)	66

Referansestandarder:

EN/IEC 61591
EN/IEC 60704-1
EN/IEC 60704-2-13
EN/IEC 60704-3
EN 50564


Energisparing

Apparatet har egenskaper som gjør det mulig å spare energi under hverdagslig matlaging.

Miljøaspekter

Kassering av hvitevarer




Symbolet  på produktet eller emballasjen betyr at produktet ikke må kastes sammen med vanlig husholdningsavfall. Produktet må leveres til et senter som spesialiserer seg i resirkulering av elektriske og elektroniske komponenter. Ved å se til at dette produktet kasseres på korrekt måte, vil man bidra til å forhindre potensielle negative miljø- og helsekonsekvenser som ellers kan oppstå ved feilaktig eller på andre måter upassende kassering. For mer detaljert informasjon om

hvordan man resirkulerer dette produktet, bes man kontakte de kommunale myndighetene, din lokale avfallshåndteringstjeneste, eller butikken der produktet ble kjøpt.

Apparatet er utviklet i samsvar med direktiv 2012/19/EU om reduksjon av farlige stoffer som brukes i elektrisk og elektronisk utstyr, samt kassering av avfall.

Kasting av emballasjemateriale

Materialer med symbolet  kan resirkuleres. Kast emballasjematerialet i egnede beholdere for gjenvinning.

IKEA-garanti

Hvor lenge er IKEA garantien gyldig?

Denne garantien gjelder i fem (5) år fra opprinnelig kjøpsdato hos IKEA. Den originale kvitteringen må fremlegges som kjøpsbevis. En reparasjon utført i garantiperioden forlenger ikke apparatets garantiperiode.

Hvem tilbyr service?

Kundeservicen garanteres av en serviceleverandør utnevnt av IKEA gjennom en egen organisasjon eller eget nett av autoriserte servicesentre.

Hva dekker garantien?

Garantien dekker feil og mangler ved apparatet som skyldes material- og produksjonsfeil, og gjelder fra og med kjøpsdato på IKEA. Garantien gjelder kun hvitevarer til hjemmebruk. Unntakene står angitt under overskriften "Hva dekkes ikke av garantien?". I garantiens gyldighetsperiode er reparasjonskostnader (reservedeler, arbeidstimer og reisekostnader for teknisk personell) dekket av kundeservice, gitt at tilgangen til apparatet for utføring av inngrepet ikke fører med seg spesielle kostnader. Disse vilkårene er i samsvar med UE-direktiv (99/44/EF) og anvendbare

standarder og bestemmelser. De utskiftede delene tilfaller IKEA.

Hvordan gjør IKEA for å løse problemet?

Serviceleverandør som sendes av IKEA vil undersøke produktet og bestemme på egenhånd hvorvidt skaden er dekket av garantibetingelsene. Ved positivt utfall vil serviceleverandøren fra IKEA eller kundeservice fra autorisert partner, reparere det defekte produktet på egenhånd eller bytte det ut med et produkt med tilsvarende egenskaper eller pris.

Hva dekkes ikke av garantien?

- Normal slitasje.
- Skader forårsaket av forsettelige handlinger eller uaktsomhet, manglende etterfølgelse av funksjonsanvisninger, ukorrekt installasjon eller bruk av feilaktig spenning, skader forårsaket av kjemiske eller elektrokjemiske reaksjoner, rust, korrosjon eller vannskader, inkludert men ikke begrenset til skader forårsaket av kalkdannelse i vannkretsene, samt skader forårsaket av atmosfæriske og naturlige hendelser.
- Forbruks- og slidedeler, som batterier eller lamper/lyspærer.
- Dekorative og ikke-funksjonelle deler som

ikke påvirker den normale bruken av produktet, inkludert riper og fargevariasjoner.

- Uforutsette skader forårsaket av stoffer eller fremmedlegemer og rengjøring eller utbedring av filtre, tømmesystemer eller skuffer med rensmiddel.
- Skade på følgende deler: keramisk glass, tilleggsutstyr, bestikkurver, utløps- og innløpsrør, lamper/pærer og deksler, skjermer, dørklinker, karmen og deler av karmen. Hvis det kan bevises at disse skadene er blitt forårsaket av produksjonsfeil.
- Tilfeller der inspiserende reparatør ikke finner feil.
- Reparasjoner som ikke er utført av serviceleverandøren utnevnt av IKEA og/eller et autorisert servicesenter, eller der ikke-originale deler er brukt.
- Reparasjoner som følge av feil installasjon eller installasjon som avviker fra anvisninger og spesifikasjoner.
- Bruk av produktet utenfor hjemmet, for eksempel til profesjonell bruk.
- Skader forårsaket av transport. Hvis kunden selv har stått for transporten frem til sitt hjem eller annet sted, kan ikke IKEA holdes ansvarlig for eventuelle skader som er oppstått under transporten. Hvis transporten frem til kundeadressen derimot er utført av IKEA, dekkes eventuelle transportskader av garantien.
- Innledende installasjonskostnader for IKEA-apparatet. I alle tilfeller, hvis serviceleverandøren fra IKEA eller en autorisert partner utfører en reparasjon eller bytter ut et apparat i løpet av garantiperioden, må leverandøren eller autorisert servicepartner også sørge for ny installasjon av det reparerte produktet eller det nye produktet, hvis dette skulle vise seg nødvendig.

Denne begrensningen gjelder ikke feilfritt arbeid utført av kvalifisert spesialist som bruker våre originaldeler for å tilpasse apparatet til tekniske sikkerhetsspesifikasjoner i et annet EU-land.

Tilpassing til nasjonale lover

IKEA garantien gir kunden spesifikke juridiske rettigheter i tillegg til lovfestede rettigheter som varierer fra land til land. Disse betingelsene begrenser ikke på noen måte forbrukerens forpliktelser beskrevet i lokal lovgivning.

Gyldighetsområde

For apparater kjøpt i et EU-land og transportert til et annet EU-land, avhenger servicen av dette nye landets gjeldende regelverk. Forpliktelsen til å levere en tjeneste basert på garantibetingelsene gjelder kun hvis apparatet samsvarer eller er installert i samsvar med:

- Gjeldende tekniske bestemmelser i landet hvor garantien skal gjelde.
- Sikkerhetsinformasjon som finnes i bruksanvisningen.

Ettermarkedsservice som gjelder for husholdningsprodukter fra IKEA:

Kontakt alltid ettermarkedsservice hos IKEA i følgende tilfeller:

1. For service som dekkes av garantien.
2. For avklaringer som angår installasjon av husholdningsprodukter fra IKEA i kjøkken som selges av IKEA. Du kan ikke kontakte ettersalgsservicen for følgende:
 - Installasjon av komplette kjøkken fra IKEA.
 - Elektrisk tilkobling (hvis apparatet er levert uten ledninger og støpsler), vann- og gasstilkobling som må utføres av en autorisert tekniker.
3. Be om avklaringer av innholdet i bruksveiledningen og spesifikasjoner om IKEA husholdningsapparatet.

For å garantere best mulig service ber vi deg om å nøye lese monteringsinstruksjonene og/eller bruksveiledningen før du kontakter oss.

Hvordan kontakte oss hvis du trenger hjelp



Se siste side i denne håndboken hvor det finnes en komplett liste over godkjente IKEA serviceleverandører med tilhørende telefonnummer.

Viktig! For å garantere en raskere service anbefaler vi å bruke telefonnumrene på slutten av denne håndboken. For å bestille service henvises det til de spesifikke kodene

til apparatet som finnes i siste del av denne håndboken. Før du kontakter oss må du sørge for å ha IKEA husholdningsapparatets produktkode for hånden (8 tall).

Viktig! TA VARE PÅ KVITTERINGEN!

Den erkjøpsbeviset og må fremlegges for at garantien skal være gyldig. På kvitteringen finnes også navn og kode (8 tall) til IKEA-husholdningsapparatet du har kjøpt.

Trenger du mer hjelp?

For øvrige spørsmål som ikke er relatert til apparatets ettersalgsservice. Vennligst kontakt ditt nærmeste IKEA kundesenter. Vi anbefaler å lese apparatets dokumentasjon nøye før du kontakter oss.

Sisällys

Turvallisuustietoja	89	Mitä tehdä, jos...	96
Yleiset tiedot	92	Tekniset tiedot	96
Tuotteen kuvaus	93	Energiatehokkuus	98
Ohjauspaneeli	93	Ympäristöä koskevat huomiot	99
Yleiset ehdotukset	94	IKEA-takuu	99
Puhdistus ja huolto	94		

Turvallisuustietoja

i Oman turvallisuuden ja laitteen oikeaoppisen toiminnan takaamiseksi lue tämä opas huolellisesti ennen asennusta ja käyttöönottoa. Pidä nämä ohjeet aina laitteen mukana, myös siinä tapauksessa, että sitä ei enää käytetä tai että se luovutetaan kolmansille osapuolille. On tärkeää, että käyttäjät tuntevat kaikki laitteiston toiminnan ja turvallisuuden ominaisuudet.

! Johtojen liitännän saa tehdä vain pätevä teknikko.

- Valmistaja ei ole vastuussa vahingoista, joihin on syynä virheellinen asennus tai käyttö.
- Pienin turvallisuustehokkuus keittotason tai liesituulettimen välillä on 500 mm sähkökeittiön liesituulettimille ja 650 mm kaasukeittiön liesituulettimille.
- Jos kaasukeittotason asennusohjeissa kerrotaan suurempi etäisyys kuin mitä yllä sanotaan, se tulee ottaa huomioon.
- Tarkista, että verkkojännite vastaa liesituulettimen sisällä olevassa arvokilvessä kerrottuja tietoja.
- Katkaisulaitteet tulee asentaa kiinteään laitteistoon johdotus-

järjestelmiä koskevien standardien mukaisesti.

- Luokan I laitteiden tapauksessa tarkista, että kotitalouden syöttöverkossa on soveltuva maadoitusliitäntä.
- Liitä liesituuletin hormiin putkella, jonka halkaisija on vähintään 150 mm. Savujen reitin tulee olla mahdollisimman lyhyt.
- Kaikkia ilmanpoistoa koskevia määräyksiä tulee noudattaa.
- Älä liitä liesituuletinta savukanaviin, joissa on palamisesta syntyvää savua (esim. kattilat, takat jne.).
- Jos liesituuletinta käytetään ei-sähköisten laitteiden kanssa (esim. kaasulaitteet), takaa riittävä tuuletus tilassa, jotta pako-kaasut eivät pääse virtaamaan takaisin. Kun keittiön liesituuletinta käytetään sellaisten laitteiden kanssa, joita ei syötetä sähkövirralla, tilan negatiivisen paineen ei tule ylittää 4 Pa, jotta savut eivät imeytyisi takaisin liesituulettimen tilaan.
- Ilmaa ei saa tyhjentää kaasuilla tai muilla polttoaineilla syötettävistä laitteista tulevien savujen kanavaan.
- Jos virtajohto vahingoittuu, sen saa vaihtaa vain valmistaja tai huoltopalvelun teknikko.
- Kytke pistoke voimassa olevien määräysten mukaiseen ja saatutettavissa olevaan pistorasiaan.
- Mitä savujen poistossa käytettäviin turvallisuutta koskeviin ja teknisiin menetelmiin tulee, paikallisten viranomaisten määrittämiä asetuksia tulee noudattaa tarkasti.

⚠ VAROITUS: irrota suojakalvot ennen liesituulettimen asennusta.

- Käytä vain liesituulettimen kanssa käytettäviksi soveltuvia ruuveja ja kiinnikkeitä.

⚠ VAROITUS: Jos ruuveja ja kiinnitysosia ei asenneta näiden ohjeiden mukaisesti, voi aiheutua sähköiskuvaara.

- Liitä liesituuletin sähköverkkoon kaksinapaisella katkaisijalla, jossa kosketinten välinen etäisyys on vähintään 3 mm.

- Älä katso suoraan optisilla välineillä (kiikari, suurennuslasi....).
- Älä flambeeraa liesituulettimen alla: tulipalovaara.
- Yli 8-vuotiaat lapset ja psyykkisesti, fyysisesti tai sensorisesti rajoitteiset henkilöt tai kokemattomat ja taitamattomat henkilöt saavat käyttää tätä laitetta vain, jos heitä valvotaan ja heille on annettu tiedot laitteen turvallisesta käytöstä ja siihen liittyvistä vaaroista. Varmista, etteivät lapset pääse leikkimään laitteella. Lapset eivät saa tehdä käyttäjän puhdistus- ja huoltotoimenpiteitä ilman valvontaa.
- Valvo lapsia ja varmista, etteivät he pääse leikkimään laitteella.
- Tätä laitetta eivät saa käyttää henkilöt (lapset mukaan lukien), joiden mielen, ruumiin tai aistien terveys on heikentynyt tai joilla ei ole riittävää kokemusta ja tietoa, ellei heitä valvota tai ole valmennettu.

⚠ Saatavilla olevat osat saattavat kuumentua rajusti ruoanvalmistuslaitteiden käytön aikana

- Puhdista ja/tai vaihda suodattimet määrätyn ajan kuluttua (tulipalovaara).
- Tilassa tulee olla soveltuva ilmanvaihto, kun liesituuletinta käytetään samaan aikaan kaasua tai muita polttoaineita käytävien laitteiden kanssa (ei päde laitteisiin, jotka vain vapauttavat ilmaa tilaan).
- Keittiön liesituulettimet ja muut ruoanlaitossa syntyvän savun poistolaitteet voivat vaarantaa kaasua tai muuta polttoainetta polttavien laitteiden turvallisen toiminnan (mukaan lukien muissa tiloissa olevat laitteet) polttokaasujen takaisinvirtauksen vuoksi. Nämä kaasut voivat johtaa häämyrkytykseen. Keittiön liesituulettimen tai minkä tahansa ruoanlaiton savun poistolaitteen asennuksen jälkeen varmista, että pätevä henkilö testaa kaasulaitteen sen takaamiseksi, että polttokaasuja ei pääse virtaamaan takaisin.

Yleiset tiedot

Käyttö

- Sammuta ja kytke irti laitteen virransyöttö ennen minkä tahansa huoltotoimenpiteen suorittamista.
- Liesituuletinta ei tule käyttää laskutilana.
- Imuliesituuletin on suunniteltu ainoastaan ruoanlaitossa syntyvien hajujen poistamiseksi kotitalouskäytössä.
- Älä käytä liesituuletinta missään tapauksessa muuhun kuin sen käyttötarkoitukseen.
- Älä koskaan jätä korkeita liekkiä imuliesituulettimen alle tämän toimiessa.
- Säädä liekin voimakkuutta siten, että suuntaat sen ainoastaan keittoastian pohjaan: varmista, että se ei osu reunoihin.
- Friteerauskeittimiä tulee valvoa jatkuvasti käytön aikana: ylikuumentunut öljy voi sytyä palamaan.

Asennustila

Liesituuletin on valmistettu asennukseen ja imu- tai ilmankiertokäyttöön.



Imuversio (katso asennusohjeissa oleva symboli)

Ruoanlaitossa syntyvä höyry imetään ja suunnataan tilan ulkopuolelle poistoputkesta

(ei kuulu toimitukseen), joka on asennettu liesituulettimen höyryn ulostuloon. Varmista, että poistoputki on asennettu oikeapaisesti ilman ulostuloon soveltuvaa liitäntäjärjestelmää käyttämällä.



Ilmankiertoversio (katso asennusohjeiden symboli)

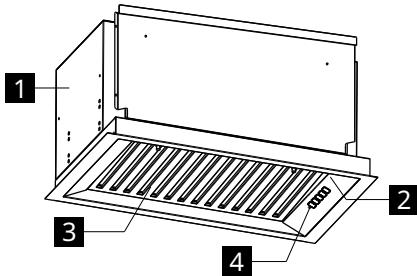
Ilma suodatetaan yhdellä tai usealla suodattimella, minkä jälkeen se tuodaan jälleen tilaan.

Tärkeää: Varmista, että liesituulettimen ympärillä on oikeaoppinen ilmankierto.

Tärkeää: Jos liesituulettimessa ei ole hiilisuodattimia, ne tulee tilata ja asentaa ennen laitteen käyttöä. Suodattimet ovat saatavilla kaupallisesti.


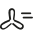



Liesituuletin tulee asentaa kauas erityisen likaisilta alueilta, ikkunoista, ovista ja lämmönlähteistä. Seinäkiinnityksen lisävarusteet eivät kuulu toimitukseen, koska ne vaihtelevat seinän materiaalin perusteella. Käytä kiinnitysjärjestelmiä, jotka sopivat tilasi seiniin ja laitteen painoon. Tarkempia tietoja varten ota yhteyttä erikoistuneeseen jälleenmyyjään. Säilytä nämä ohjeet tulevaa tarvetta varten.

Tuotteen kuvaus



- 1 Liesituulettimen runko
- 2 Valaistus
- 3 Rasvasuodatin
- 4 Ohjaustaulu

Ohjauspaneeli

    			
<div style="display: flex; justify-content: space-around;"> A B C D E </div>			
Näppäin	Näppäimen painallus	Toiminto	Led-valo
A Nopeus	Lyhyt	Käynnistää/sammuttaa moottorin ensimmäisellä nopeudella.	Päällä tai pois päältä
B Nopeus	Lyhyt	Kytkee moottorin päälle toisella nopeudella. Näppäin A tulee valita.	A + B palavat
C Nopeus	Lyhyt	Kytkee moottorin päälle kolmannella nopeudella. Näppäin A tulee valita.	A + C palavat
D Nopeus	Lyhyt	Käynnistää moottorin tehonopeudella. Tämä nopeus on ajastettu 6 minuuttiin. Tämän ajan kuluttua järjestelmä palaa automaattisesti aiemmin asetettuun nopeuteen. Jos toiminto aktivoidaan moottori sammutettuna, laite palaa asetetun ajan päätyttyä sammutettuun tilaan. Toiminto poistetaan käytöstä painamalla painiketta A,B tai C. Näppäin A on valittava.	A Palaa B Vilkkuu
E Valo	Lyhyt	Sytyttää ja sammuttaa valaistuksen suurimmalla teholla.	Päällä tai pois päältä
	Pitkä	Lisää tai vähentää valon kirkkautta.	Päällä tai pois päältä

Yleiset ehdotukset

- Käytä liesituuletinta vähimmäisnopeudessa ruoanlaiton alussa ja pidä sitä päällä muutaman minuutin ajan kypsennyksen loppuksi.
- Lisää nopeutta vain, jos savua ja höyryä on paljon ja käytä tehonopeutta vain äärimmäisissä tapauksissa.
- Vaihda hiilisuodatin tai -suodattimet tarvittaessa ylläpitääksesi hajun poistono hyvää tehokkuutta.
- Puhdista rasvasuodatin tai -suodattimet tarvittaessa ylläpitääksesi rasvojen hyvää rasvanpoistotehokkuutta.
- Käytä tässä oppaassa kerrottua kanavien enimmäishalkaisijaa tehokkuuden optimoimiseksi ja melun minimoimiseksi.

Puhdistus ja huolto

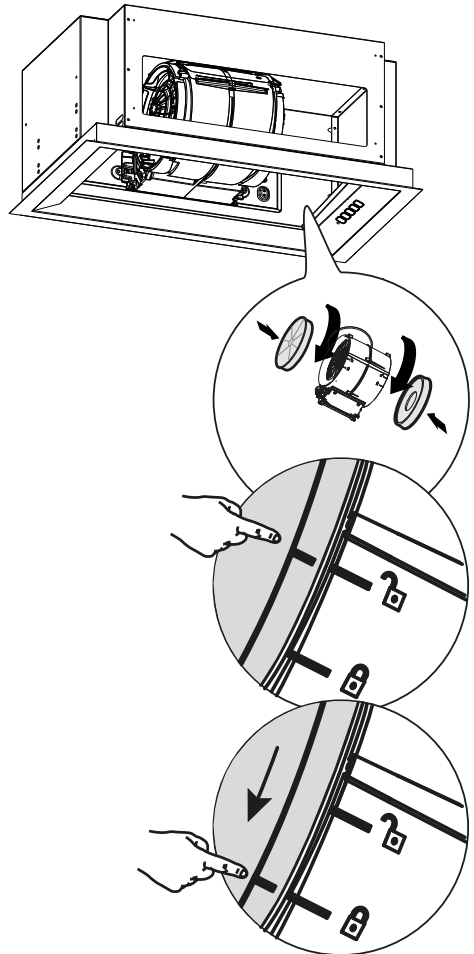


Sammuta ja kytke irti laitteen virransyöttö ennen minkä tahansa huoltotoimenpiteen suorittamista.

TÄRKEÄÄ: Puhdista liesituuletin kostealla liinalla ja neutraalilla nestemäisellä pesuaineella.

Pitkän käyttöiän hiilisuodatin (Vihreä)

Hajusuodatin voidaan pestä ja regeneroida 3–4 kuukauden välein (tai useammin, jos liesituuletinta käytetään paljon), enintään 8 regenerointikertaa (jos liesituuletinta käytetään paljon, on suositeltavaa, ettei ylitetä 5 kertaa).



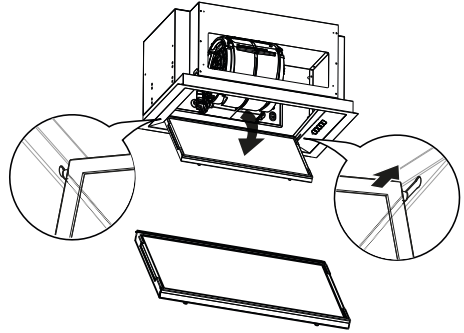
Regenerointimenettely

- Pese astianpesukoneessa enintään 70°:n lämpötilassa tai käsin lämpimässä vedessä. Älä käytä hankaussieniä (äläkä pesuainetta!).
- Kuivaa uunissa enintään 70°:n lämpötilassa 2 tunnin ajan (on suositeltavaa lukea huolellisesti uunin käyttöopas ja asennusohjeet).

Rasvasuodattimet

Jatka puhdistusta tai vaihda suodattimet osoitettuina väliaikoina, jotta liesituuletin säilyy hyvässä toimintakunnossa ja voitaisiin välttää tulipalovaara rasvan liiallisen kerääntymisen vuoksi. Rasvasuodattimet tulee puhdistaa 2 käyttökuukauden välein tai useammin jos kyseessä on erittäin vaativa

käyttö. Ne voidaan pestä astianpesukoneessa.



Lamppujen vaihto

Ota yhteyttä vaihtoa varten valtuutettuun huoltokeskukseen.

Mitä tehdä, jos...

Vian ilmetessä yritä ensin ratkaista se itsenäisesti. Jos ongelmaa ei kyetä ratkaisemaan itsenäisesti, käänny valtuutetun huoltokeskuksen puoleen.

i Jos laitetta käytetään vriheelisesti tai jos asennuksessa ei noudateta kokoonpano-ohjeita, voi olla tarpeen maksaa valtuutetun huoltokeskuksen teknikon avusta, vaikka takuu olisikin voimassa.

ONGELMA	MAHDOLLINEN SYY	RATKAISU
Laitte ei ole vakaa.	Laitetta ei ole asennettu oikein.	Noudata laitteen mukana toimitettuja asennusohjeita.
Laitte ei ole tasassa.	Laitetta ei ole asennettu oikein.	Noudata laitteen mukana toimitettuja asennusohjeita.
Rasvanpoistoteho ei ole tyydyttävä.	Hiili- tai metallisuodattimissa on öljyä ja rasvaa.	Noudata käyttöoppaassa annettuja suodatinten puhdistusvälejä.
Laitte ei toimi.	Laitetta ei ole liitetty oikein.	Tarkista, että virtajohto on liitetty moottoriryhmään tai etä pistoke on pistorasiassa.
Valo ei toimi.	LED on rikki.	Ota yhteyttä vaihtoa varten valtuutettuun huoltokeskukseen.
Liesituuletin on meluisampi kuin mitä asiakas odotti.	Seinän ilma-aukon halkaisija on liian pieni ja saa aikaan paineenlaskun ja moottorin nopeuden kasvun.	Noudata laitteen mukana toimitettuja asennusohjeita.
	Tuote on asennettu ilmankiertotilaan.	Tuote on ilmankiertotilassa (ja hiilisuodatin on asennettu) ja saa aikaan enemmän melua kuin imutilassa oleva tuote.
	Tuuletuskanavassa on enemmän kuin yksi mutka.	Jos rakennuksen savujen poistojärjestelmässä on monta mutkaa tai se kattaa suuren välimatkan, tuote voi olla meluisampi.

Ennen kuin otetaan yhteyttä valtuutettuun huoltokeskukseen:

Käynnistä laite uudelleen nähdäksesi, että ongelma on hävinnyt. Jos niin ei käy, sammuta uudelleen ja toista toimenpide tunnin jälkeen. Jos laite ei vielääkään toimi oikeaoppisesti vianmäärityksen oppaassa

lueteltujen tarkistusten jälkeen ja laite on käynnistetty uudelleen, ota yhteyttä valtuutettuun huoltokeskukseen. Kerro ongelma tarkasti ja määritä seuraavat seikat:

- vian tyyppi
- malli
- laitteen tyyppi ja sarjanuero (kerrottu kilvessä).

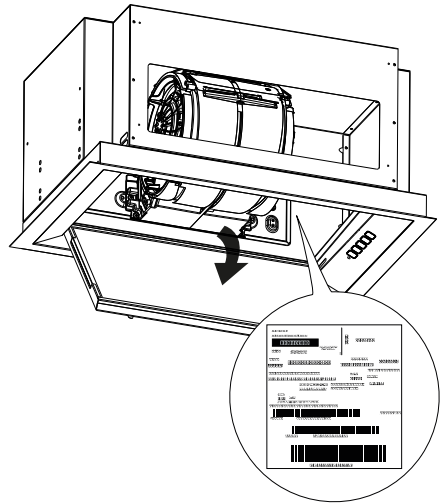
Tekniset tiedot

		Yksikkö	Arvo
Tuotetyyppi			Integroitu liesituuletin
Mitat	Leveys	mm	599
	Syvyys	mm	358
	Korkeus min./maks.	mm	290
Ilmavirtaus maks.* - Poisto		m ³ /h	450
Melutaso maks. - Poisto		dBA	55
Ilmavirtaus maks.* - Kierto		m ³ /h	250

Melutaso maks.* - Kierto		dBA	66
Kokonaisteho		W	144
Tietoja lampusta	Tyyppi		LED-palkki
	Määrä ja teho		3,8 W
	Kiinnitys		N/D
Asennuksen vähimmäiskorkeus - kaasukeittotasoa		mm	650
Asennuksen vähimmäiskorkeus - sähkökeittotasoa		mm	500
Nettopaino		Kg	8
* Enimmäisnopeus (ilman intensiivisen toiminnan asetusta)			

Tämä laite on suunniteltu, valmistettu ja tuotu markkinoille ETY-direktiivien mukaisesti
CE

Tekniset tiedot on annettu laitteen sisäisessä kilvessä.



Energiatehokkuus

Tuotetta koskevat tiedot EU:n asetuksen nro 66/2014 mukaisesti	Yksikkö	Arvo
Toimittaja nimi	IKEA	
Mallitunniste	MÅNGSBO 906.091.16 106.176.10 906.176.11	
Vuosittainen energiankulutus	kWh/a	26,9
Ajan korotuskerroin		0,5
Virtausdynaaminen hyötysuhde		40,5
Energiatehokkuusindeksi		29,9
Mitattu ilmavirta parhaan hyötysuhteen pisteessä	m ³ /h	410
Mitattu ilmanpaine parhaan hyötysuhteen pisteessä	Pa	469
Suurin ilmavirtaus	m ³ /h	450
Mitattu sähkön ottoteho parhaan hyötysuhteen pisteessä	W	132
Valaistusjärjestelmän nimellisteho	W	3,8
Keittotason valaistusjärjestelmän keskimääräinen valaistus	Lux	275
Virrankulutus mitattu standby-tavassa	W	0,49
Virrankulutus mitattu off-tavassa	W	0,0
Melutaso enimmäisnopeudessa (ilman intensiivisen toiminnan asetusta)	dBA	66

Viitestandardit:

EN/IEC 61591
EN/IEC 60704-1
EN/IEC 60704-2-13
EN/IEC 60704-3
EN 50564

Energiansäästö

Laite sisältää ominaisuuksia, jotka auttavat säästämään energiaa ruoanlaiton aikana kaikkina päivinä.

Ympäristöä koskevat huomiot

Kodinkoneiden hävittäminen

Tuotteessa tai pakkauksessa oleva symboli




osoittaa, että tuotetta ei saa hävittää tavallisten kotitalousjätteiden mukana. Tuote tulee hävittää sähkö- ja elektroniikkalaitteiden kierrätykseen erikoistuneessa keskuksessa. Kun varmistetaan, että tämä tuote hävitetään oikeaoppisesti, voidaan ennaltaehkäistä mahdolliset kielteiset ympäristö- ja terveysvaikutukset, joihin soveltumaton hävittäminen voisi johtaa. Jos tahdot tarkkoja

tietoja tämän tuotteen hävittämisestä, käännä kuntasi virkailijoiden, paikallisen jätehuollon tai tuotteen myymälän puoleen.

Laite vastaa direktiiviä 2012/19/EU, joka koskee sähkö- ja elektroniikkalaitteissa käytettyjen vaarallisten aineiden vähentämistä ja hävittämistä.

Pakkausmateriaalien hävittäminen

Symbolilla  varustetut materiaalit voidaan kierrättää. Hävitä pakkausmateriaalit viemällä ne asianmukaisiin kierrätysastioihin.

IKEA-takuu

Kauanko IKEA-takuu on voimassa?

Tämä takuu on voimassa viisi (5) vuotta tuotteen alkuperäisestä ostopäivästä IKEA:sta. Ostotodisteeksi vaaditaan alkuperäinen kuitti. Takuuajana tehdyt korjaukset eivät pidennä laitteen takuuajaa.

Kuka antaa huoltoapua?

Huollosta vastaa IKEA:n nimeämä palveluntarjoaja oman organisaationsa tai valtuutettujen huoltoiliikkeiden verkon kautta.

Mitä takuu kattaa?

Takuu kattaa mahdolliset materiaali- ja valmistusvirheet. Takuu astuu voimaan tuotteen alkuperäisenä IKEA-myyntipisteestä ostopäivänä. Takuu koskee ainoastaan kotikäytössä olevia tuotteita. Poikkeukset on lueteltu kohdassa "Mitä tämä takuu ei kata?". Takuuajana korjauskustannukset (varaosat, työ- ja teknisen henkilökunnan matkakulut) kuuluvat huoltopalvelun maksettavaksi sillä ehdolla, että pääsy laitteeseen korjaustoimenpiteitä varten ei aiheuta erityisiä maksuja. Nämä ehdot vastaavat Euroopan parlamentin ja neuvoston direktiivejä (Nro 99/44/EY) ja sovellettavia paikallisia normeja ja säännöksiä. Vaihdetuista osista tulee IKEA:n omaisuutta.

Miten IKEA ratkaisee ongelman?

IKEA:n nimeämä palveluntarjoaja tutkii tuotteen ja päättää harkintavaltansa mukaan jos se kuuluu takuun piiriin. Jos tuote kuuluu takuun piiriin, IKEA:n nimeämä palveluntarjoaja tai hänen valtuutettu huoltopalvelu korjaa oman harkintavaltansa alaisena viallisen tuotteen tai vaihtaa sen vastaavaan tuotteeseen tai samanarvoiseen tuotteeseen.

Mitä takuu ei kata?

- Normaalia kulumista.
- Tahallaan tai huolimattomuudesta aiheutuneet vauriot, vauriot, jotka ovat aiheutuneet käyttöohjeiden noudattamatta jättämisestä, väärästä asennuksesta tai väärään jännitteeseen kytkemisestä, kemiallisten tai sähkökemiallisten reaktioiden aiheuttamat vauriot, ruoste, korroosio- tai vesivahingot, mukaan lukien, mutta ei rajoittavasti, vahingot jotka johtuvat liiallisesta kalkkikivestä vesiputkissa sekä ilmastollisten olosuhteiden aiheuttamat vauriot.
- Kulutusosat, kuten paristot ja lamput.
- Koristeosat ja ei-toiminnalliset osat, jotka eivät vaikuta kodinkoneen normaaliin käyttöön, mukaan lukien naarmut ja värimuutokset.
- Tahattomat vauriot, jotka ovat aiheutuneet vieraista aineista tai esineistä ja puhdistuk-

sesta tai suodattimien, tyhjennysjärjestelmien tai pesuainelokeroiden puhdistamisesta.

- Seuraavissa osissa esiintyvä vika: lasikeraaminen pinta, lisävarusteet, astia- ja ruokailuvälinekorit, tulo- ja poistoputket, tiivisteet, lamput ja niiden suojukset, näytöt, kytkimet, kuoret ja niiden osat. Lukuun ottamatta tapauksia, joissa on todistettu vian johtuvan valmistusvirheestä.
- Tapaukset, joissa tuotteesta ei huoltokäynnillä löydy vikaa.
- Korjaustyöt, joita ei ole suorittanut IKEAn nimeämä palveluntarjoaja tai sen valtuutettu huoltoliike tai korjaukset, joissa on käytetty muita kuin alkuperäisiä osia.
- Korjaustyöt, jotka johtuvat siitä, että tuote on asennettu väärin tai ohjeiden vastaisesti.
- Kodinkoneen käyttö muualla kuin kotiympäristössä, esimerkiksi ammattikäyttö.
- Kuljetuksesta johtuvat vahingot. Jos asiakas on kuljettanut tuotteen kotiinsa tai muuhun osoitteeseen, IKEA ei ole vastuussa mahdollisista kuljetuksen aikana aiheutuneista vahingoista. Jos IKEA kuitenkin on kuljettanut tuotteen asiakkaalle, mahdolliset kuljetuksen aikana aiheutuneet vahingot kuuluvat takuun piiriin.
- IKEA-laitteen ensimmäisen asennuksen maksu. Kuitenkin, jos IKEAn nimeämä palveluntarjoaja tai sen valtuutettu huoltokumppani korjaa tai vaihtaa laitteen takuun alaisena, toimittajan tai valtuutetun huoltokumppanin on myös asennettava korjattu laite uudelleen tai sen tilalle vaihtolaite, mikäli tarpeen.

Nämä rajoitukset eivät koske pätevän henkilökunnan ammattisääntöjen mukaisesti ja alkuperäisiä varaosia käyttäen tekemää laitteen mukauttamista toisen EU-maan turvallisuusnormeihin.

Kansallisten lakien sovellettavuus

IKEA-takuu antaa asiakkaalle erityisiä laillisia oikeuksia lakisääteisten eri maissa vaihtelevien oikeuksien lisäksi. Joka

tapauksessa kyseiset ehdot eivät miltei osin rajoita paikallisten lakiasetusten kuvaamia kuluttajanoikeuksia.

Voimassaoloalue

EU-maassa ostetuille, toiseen EU-maahan siirrettyille laitteille tarjotaan palvelut uudessa maassa sovellettavissa olevien takuuehtojen mukaisesti. Velvollisuus tarjota palvelua takuun ehtojen mukaan on olemassa vain, jos laite on vaatimusten mukainen ja asennettu seuraavien mukaisesti:

- takuun soveltamista vaativassa maassa voimassa olevien teknisten erittelyjen mukaan
- ohjekirjassa annettujen turvallisuuteen liittyvien tietojen mukaan.

IKEAn kodinkoneiden myynninjälkeinen huoltopalvelu:

Voit ottaa yhteyttä IKEAn myynninjälkeiseen huoltopalveluun:

1. teet huoltopyynnön takuun puitteissa
2. pyydät lisätietoja IKEA-laitteiden asentamisesta erityisiin IKEA-kalusteisiin. Palvelu ei avusta eikä anna lisätietoja:

- IKEA-keittiöiden asentamisessa
- sähköliitännöissä (jos laite on toimitettu ilman johtoja ja pistokkeita), vesijohto- ja kaasulaitteistoliitännöissä, jotka täytyy antaa valtuutetun huoltoteknikon tehtäväksi.

3. pyydät lisätietoja käyttöoppaasta ja IKEA-laitteen teknisistä tiedoista.

Parhaan palvelun takaamiseksi lue huolellisesti Asennusohjeet ja/tai Käyttöopas ennen kuin otat yhteyttä.

Miten ottaa yhteyttä, jos tarvitset teknikon apua



Katso IKEA:n palveluntarjoajien luettelo tämän käyttöoppaan viimeisellä sivulla, jolla ovat maakohtaiset puhelinnumerot.

Tärkeää! Nopeamman palvelun takaamiseksi on suositeltavaa käyttää tämän käyttöoppaan lopussa lueteltuja puhelinnumeroita. Huoltopyynnöissä viittaa aina laitteen erityisiin koodeihin, jotka löytyvät tästä ohjekirjasta. Ennen huoltoteknikon kutsumista varmista, että sinulla on käsillä korjausta vaativan laitteen IKEA-tuotekoodi (8 numeroa).

Tärkeää! SÄILYTÄ KASSAKUITTI!

Kassakuitti on todisteesi ostosta ja edellytys takuun voimassaololle. Kuitissa näkyvät myös jokaisen ostamasi IKEA-laitteen nimi ja koodi (8 numeroa).

Tarvitsetko lisäapua?

Jos sinulla on kysyttävää, joka ei liity laitteittesi jälkimyyntiin. Soita lähimpään IKEA:n tukeen. Suosittelemme laitteen asiakirjojen huolellista lukemista ennen yhteyden ottamista.

Innehåll

Säkerhetsinformation	102	Vad ska jag göra om...	109
Allmänna informationer	105	Tekniska data	109
Beskrivning av apparaten	106	Energieffektivitet	111
Manöverpanel	106	Miljöaspekter	112
Allmänna tips	107	IKEA GARANTI	112
Rengöring och underhåll	107		

Säkerhetsinformation


i För den egna säkerheten och för korrekt funktion av apparaten, ber vi dig läsa denna manual noggrant för installationen och idrifttagningen. Håll alltid dessa instruktioner tillsammans med apparaten, även i händelse av försäljning eller överlåtelse till tredje part. Det är viktigt att användarna känner till alla apparatens funktions- och säkerhetsegenskaper.

! Anslutningen av kablarna ska utföras av en kompetent tekniker.


- Tillverkaren kan inte anse sig ansvarig för eventuella skador som har sitt ursprung i en felaktig installation eller användning.
- Det minimala säkerhetsavståndet mellan spishäll och spisfläkt är 500 mm för fläktar till elektriska spisar och 650 mm för fläktar till gasspisar.
- Om gashällens monteringsanvisning anger ett avstånd som är större än det som anges ovan måste detta beaktas.
- Kontrollera att nätspänningen är den som anges på märskylten som är fäst inuti flätkåpan.
- Bortkopplingsanordningarna ska installeras i den fasta an-

läggningen i enlighet med standarderna om kabeldragnings-system.


- För apparater av Klass I, kontrollera att närmatningen har en lämplig jordanslutning.
- Anslut flätkåpan till skorstensröret med ett rör med en minimum diameter på 150 mm. Rökens lopp måste vara så kort som möjligt.
- Alla föreskrifter beträffande luftutsläpp måste iakttas.
- Anslut inte flätkåpan till rökgångarna som transporterar förbränningsgaser (t ex från värmepannor, kaminer, etc).
- Om fläkten används tillsammans med icke elektriska apparater (t ex gasapparater), ska en tillräcklig genomluftning av lokalen garanteras, för att förhindra återflöde av avgaser. När spisfläkten används i kombination med apparater som inte matas med elektricitet, får det negativa trycket i lokalen inte överskrida 4 Pa för att undvika att röken sugts in i lokalen igen från fläkten.
- Luften får inte släppas ut genom en ledning som används för utsläpp av rök från förbränningsapparater som matas med gas eller andra bränslen.
- Om elkabeln skadas, ska den bytas ut av tillverkaren eller av en servicetekniker.
- Anslut stickkontakten till ett lättillgängligt vägguttag som är i överensstämmelse med gällande bestämmelser.
- Vad beträffar de tekniska måtten och säkerheten att iakttas för utsläpp av röken, är det viktigt att skrupulöst iakttas föreskrifterna som fastställts av de lokala myndigheterna.

 **WARNING:** innan du installerar fläkten, avlägsna skyddsfil-merna.

- Använd endast skruvar och tillbehör av typ som är lämplig för fläkten.

 **OBS!** Om det inte installeras skruvar och fästelement som överensstämmer med dessa anvisningar kan det leda till risk för elektrisk stöt.

- Anslut spisfläkten till elnätet via en tvåpolig brytare med minst 3 mm avstånd mellan kontakterna.
- Titta inte direkt med optiska instrument (kikare, förstoringsglas o.s.v.).
- Tillaga inte flamberade rätter under fläkten: det kan medföra eldsvåda.
- Denna apparat får användas av barn (över 8 år), personer med nedsatt fysisk, sensorisk eller mental funktionsförmåga eller personer som saknar erfarenhet eller kunskap om hur den används, under förutsättning att de övervakas av någon som kan ansvara för deras säkerhet eller som har lärt dem hur apparaten används på ett säkert sätt och gjort dem medvetna om riskerna. Barn får inte leka med apparaten. Rengöring och underhåll får inte utföras av barn utan tillsyn av en vuxen.
- Håll barn under uppsikt så att de inte leker med apparaten.
- Denna apparat får inte användas av personer (inkl. barn) med nedsatt fysisk, sensorisk eller mental funktionsförmåga eller personer som saknar erfarenhet eller kunskap om hur den används, om de inte övervakas och instrueras.

 De åtkomliga delarna kan bli mycket varma under användningen av tillagningsapparaterna

- Rengör och/eller byt ut filtren efter den tidsperiod som specificeras (brandfara).
- En tillräcklig ventilation av lokalen måste finnas när fläkten används samtidigt med andra apparater som använder gas eller andra bränslen (inte tillämpligt för apparater som släpper ut luften i lokalen).
- Spiskåpor och andra köksfläktar kan äventyra säker funktion

hos apparater som använder gas eller andra bränslen (inklusive de i andra rum), på grund av returflödet av förbränningsgaserna. Dessa gaser kan orsaka en förgiftning från koloxid. När en spiskåpa eller annan köksfläkt installerats, säkerställ att gasapparaterna testas av en kompetent person för att garantera att inget returflöde uppstår av förbränningsgaserna.

Allmänna informationer

Användning

- Stäng av eller koppla bort apparaten från försörjningsnätet före alla rengörings- eller underhållsåtgärder.
- Spisfläkten får inte användas som stödplan.
- Frånluftsfläkten är konstruerad endast för att eliminera matlagningsslukter vid hushållsbruk.
- Använd inte i något fall frånluftsfläkten för andra syften än de den är konstruerad för.
- Lämna aldrig höga lågor under frånluftsfläkten när den är i funktion.
- Justera lågans intensitet för att endast rikta den mot kokkärlets botten, se till att den inte når upp kring sidorna.
- Fritösapparaterna ska konstant kontrolleras under användning: den upphettade oljan kan ta eld.

Installationssätt

Spisfläkten är konstruerad för installation och användning i version med "frånluft" eller i "luftåtercirkulation".



Frånluftsversion (se symbolen i installationsanvisningarna)

Röken från matlagningen sugts från och transporteras ut ur bostaden genom ett utloppsrör (medföljer inte) installerat i spisfläktens rökutlopp. Se till att utloppsröret är korrekt installerat i luftutloppet med hjälp av ett lämpligt anslutningssystem.



Luftcirkulationsversion (se symbolen i installationsanvisningarna)

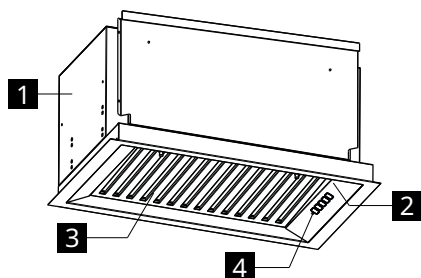
Luften filtreras genom ett eller flera filter och förs sedan på nytt in i lokalen.

Viktigt: Se till att luftcirkulationen kring spisfläkten är korrekt.

Viktigt: Om spisfläkten inte har kolfilter, måste dessa beställas och monteras innan apparaten används. Filtren finns att köpa i handeln.

Spisfläkten ska installeras långt från särskilt smutsiga områden, fönster, dörrar och värmekällor. Tillbehören för fästsättning på vägg ingår inte därför att de varierar beroende på väggens material. Använd fästsystem som passar för väggarna i den egna bostaden och för apparatens vikt. För mer detaljerad information, kontakta en kunnig återförsäljare. Förvara dessa anvisningar för framtida konsultation.

Beskrivning av apparaten



- 1 Fläktkåpsenhet
- 2 Belysning
- 3 Fettfilter
- 4 Manöverpanel


Manöverpanel

Knapp	Tryck på knappen	Funktion	Led-lampa
A	Kort	Startar/stänger av motorn på den första hastigheten.	Påslagen eller Avstängd
B	Kort	Sätter igång motorn vid hastighet två. Knappen A måste ha valts.	A + B är tända
C	Kort	Sätter igång motorn vid hastighet tre. Knappen A måste ha valts.	A + C är tända
D	Kort	Startar motorn på den Intensiva hastigheten. Denna hastighet är tidsinställd på 6 minuter. När den inställda tiden har förflutit återgår systemet automatiskt till den tidigare inställda hastigheten. Om den aktiveras med avstängd motor återgår systemet till läget Avstängd när den inställda tiden har förflutit. Tryck på knappen A, B eller C för att inaktivera den. Knappen A måste väljas.	A Tänd D Blinkar
E	Kort	Tänder och släcker belysningen med max. intensitet.	Påslagen eller Avstängd
Belysning	Långt	Ökar eller minskar belysningens ljusstyrka.	Påslagen eller Avstängd

Allmänna tips

- Aktivera spisfläkten på minsta hastighet när du börjar laga mat och håll den i funktion i några minuter efter att du är färdig med matlagningen.
- Öka hastigheten endast i fall av stora mängder rök och os och använd den intensiva hastigheten endast i extrema situationer.
- Byt ut filtret eller kolfiltren vid behov för att behålla god effektivitet för eliminering av lukter.
- Rengör filtret eller fettfiltren vid behov för att behålla en god effektivitet för absorption av fett.
- Använd maximal diameter av ledningen som anges i denna manual för att optimera effektiviteten och minimera bullret.

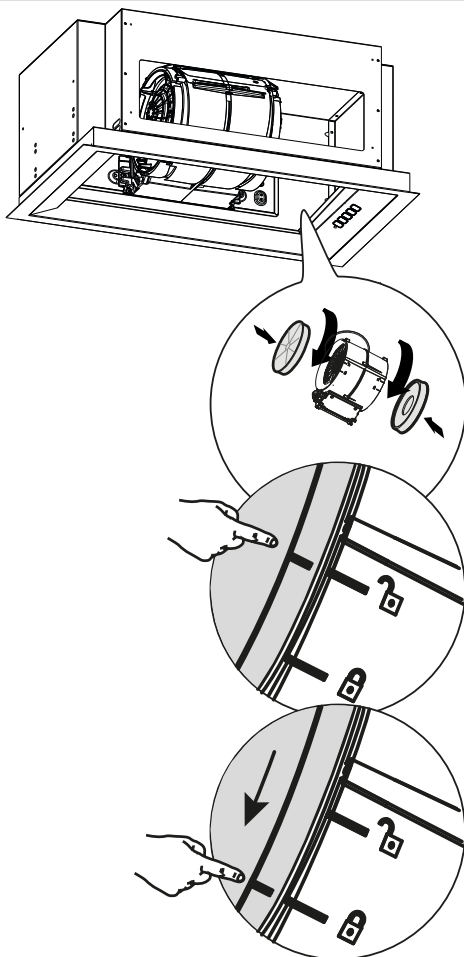
Rengöring och underhåll

 Stäng av eller koppla från apparaten ur elnätet innan någon åtgärd utförs för underhåll.

VIKTIGT Rengör fläkten med en fuktig trasa och neutralt rengöringsmedel.

Långverkande kolfilter (grönt)

Luktfiltret kan tvättas och regenereras var 3:e-4:e månad (eller oftare om spisfläkten används intensivt) upp till åtta regenereringscykler (vid mycket intensiv användning rekommenderas att inte överskrida fem cykler).

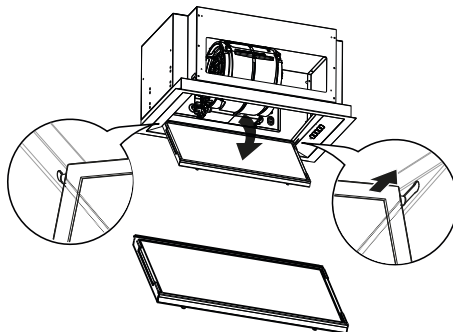


Procedur för regenerering

- Diska i diskmaskin i max 70° eller för hand i varmt vatten utan att använda repande svampar (använd inte rengöringsmedel!).
- Torka i ugn i max 70° i 2 timmar (läs noga ugnens bruksanvisning och monteringsanvisningar).

Fettfilter

Fortsätt att rengöra eller byta ut filtren vid de angivna tidsintervallen för att hålla fläkten i funktionsdugligt skick och undanröja potentiella brandrisker till följd av överdriven fettansamling. Fettfiltren ska rengöras varannan driftsmånad eller oftare i händelse av en mycket intensiv användning och kan diskas i diskmaskin.

**Utbyte av lampor**

För utbyte kontakta ett Auktoriserat Servicecenter.

Vad ska jag göra om...

Vid maskinskada, försök först finna en lösning själv. Om du inte lyckas lösa problemet, kontakta ett auktoriserat servicecenter.

i Vid felaktig användning av apparaten eller den utförda installationen inte efterlever monteringsanvisningarna, kan du behöva betala besök av tekniker från auktoriserat servicecenter även under garantins giltighetsperiod.

FEL	MÖJLIG ORSAK	ÅTGÄRD
Apparaten är inte stabil.	Apparaten är inte korrekt installerad.	Följ installationsinstruktionerna som medföljer apparaten.
Apparaten är inte horisontell.	Apparaten är inte korrekt installerad.	Följ installationsinstruktionerna som medföljer apparaten.
Prestandan för fettuppsamling är inte tillfredsställande.	Närvaro av olja och fett på metallfil-tren eller på kolfiltren.	lakta frekvensen för rengöring av filtren som beskrivs i användarmanualen.
Apparaten fungerar inte.	Apparaten har inte anslutits korrekt.	Kontrollera att nätsladden är ansluten till motorgruppen eller att kontakten är ansluten till uttaget.
Ljuset fungerar inte.	LED-lampan är sönder.	För utbyte kontakta ett Auktoriserat Servicecenter.
Kåpan är bullrigare än vad kunden väntade sig.	Diametern av luftutsläppet i väggen är för liten och medför tryckförlust eller ökad motorhastighet.	Följ installationsinstruktionerna som medföljer apparaten.
	Produkten är installerad i återcirkulationsläge.	Produkten i återcirkulationsläge (och med kolfilter monterat) är bullrigare än en produkt i sugläge.
	Ventilationsledningen har mer än en kurva.	Om systemet för rökavledning uppvisar flera kurvor eller täcker ett långt avstånd, kan produkten vara bullrigare.

Innan du kontaktar auktoriserat servicecenter:

Slå på apparaten igen för att se om problemet försvunnit. Stäng i annat fall av den och upprepa åtgärden efter en timme. Om apparaten inte fungerar korrekt ännu efter att du utfört de kontroller som anges i

handledningen för lösning av fel och åter slagit på apparaten, kontakta auktoriserat servicecenter och förklara problemet genom att specificera:

- typ av fel;
- modell;
- apparatens typ och serienummer (indikeras på skylten).

Tekniska data

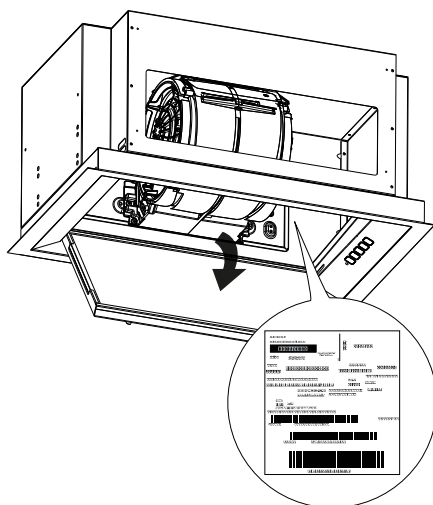
		Enhet	Värde
Produkttyp			Integrerad flätkåpa
Dimensioner	Bredd	mm	599
	Djup	mm	358
	Höjd min./max	mm	290
Luftflöde max* - Utsläpp		m ³ /tim	450
Max bullernivå - Utlopp		dBA	55
Max luftflöde* - Återcirkulation		m ³ /tim	250

Max bullernivå* - Återcirkulation		dBA	66
Total effekt		W	144
Information om lampan	Typ		LED-fält
	Nr och effekt		3,8 W
	Koppling		I.U.
Minimal installationshöjd - gasspishäll		mm	650
Minimal installationshöjd - elspishäll		mm	500
Nettovikt		kg	8
* Max hastighet (utan intensiv inställning)			

Denna apparat har utformats, tillverkats och marknadsförs i enlighet med EEG-direktiven



Tekniska data återges på skylten på insidan av apparaten.



Energieffektivitet

Informationer om produkten enligt EU-föreskrift nr 66/2014	Enhet	Värde
Tillverkarens namn	IKEA	
Modellbeteckning	MÅNGSBO 906 091.16 106 176.10 906 176.11	
Årlig energiförbrukning	kWh/a	26,9
Tidsökningsfaktor		0,5
Flödesdynamisk effektivitetsklass		40,5
Energieffektivitetsindex		29,9
Uppmätt luftflödesvärde vid bästa effektivitetspunkt	m ³ /h	410
Uppmätt lufttryck vid bästa effektivitetspunkt	Pa	469
Maximalt luftflöde	m ³ /h	450
Uppmätt elektrisk ineffekt vid bästa effektivitetspunkt	W	132
Belysningssystemets märkeffekt	W	3,8
Belysningssystemets medelbelysning på spishällen	Lux	275
Strömförbrukning uppmätt i standby-läge	W	0,49
Strömförbrukning i avstängt läge	W	0,0
Bullemnivå vid maximal hastighet (utan inställning intensiv)	dB(A)	66

Referensstandarder:

EN/IEC 61591
EN/IEC 60704-1
EN/IEC 60704-2-13
EN/IEC 60704-3
EN 50564


Energibesparing

Apparaten har egenskaper som bidrar till energibesparing under alla dagars matlagning.

Miljöaspekter

Bortskaffande av hushållsapparater




Symbolen  på produkten eller förpackningen indikerar att produkten inte får kasseras med vanligt hushållsavfall. Produkten måste kasseras vid ett specialiserat center för återvinning av elektriska och elektroniska komponenter. Genom att säkerställa att denna produkt kasseras på rätt sätt bidrar du till att förhindra potentiella negativa konsekvenser för miljön och hälsan som annars kan uppstå vid olämplig avfallshantering. För mer detaljerad information om hur du återvinner

denna produkt, kontakta dina kommunala myndigheter, din lokala avfallshanteringstjänst eller butiken där du köpte produkten.

Apparaten uppfyller kraven i direktiv 2012/19/EU om reduktion av farliga substanser som används i elektrisk och elektronisk utrustning samt bortskaffande av avfallet.

Bortskaffande av förpackningsmaterialet

Materialen som bär symbolen  kan återvinnas. Bortskaffa förpackningsmaterialen i särskilda behållare för uppsamling till återvinning.

IKEA GARANTI

Hur länge gäller IKEA garantin?

Denna garanti gäller i fem (5) år fr.o.m. det ursprungliga datumet för inköpet hos IKEA. Originalkvitto krävs som inköpsbevis. En reparation som utförs under garantin förlänger inte garantiperioden för apparaten.

Vem ger assistans?

Kundservicen utförs av serviceföretaget som utses av IKEA:s serviceorganisation eller av dess nätverk av auktoriserade servicepartners.

Vad omfattas av garantin?

Garantin omfattar eventuella material- och/eller konstruktionsfel hos apparaten och gäller fr.o.m. datumet för inköpet av apparaten på ett av IKEA:s försäljningsställen. Garantin gäller endast för apparater som är avsedda för hushållsbruk. Undantagen beskrivs i punkt "Vad omfattas inte av garantin?". Under garantiperiodens giltighetstid kommer reparationskostnaderna (reservdelar, arbetskraft och resor för den tekniska personalen) att bäras av kundtjänsten, förutsatt att tillgången till apparaten för reparation inte medför särskilda kostnader. Dessa villkor är i

överensstämmelse med EU-direktiven (99/44/EG) och lokala tillämpliga standarder och bestämmelser. Utbytta delar tillfaller IKEA.

Hur gör IKEA för att åtgärda problemet?

Tjänsteleverantören, som anlitats av IKEA kommer att undersöka produkten och, uteslutande efter egen bedömning, avgöra om den omfattas av garantitäckningen. Om så är fallet kommer IKEA-tjänsteleverantören eller dess auktoriserade servicepartner, genom sina servicecentra, efter eget gottfinnande att antingen reparera den defekta produkten eller ersätta den med en produkt av samma eller lika värde.

Vad omfattas inte av garantin?

- Normalt slitage.
- Skada orsakad medvetet eller på grund av försummelse, skada orsakad av underlåtenhet att följa bruksanvisningen, felaktig installation eller anslutning till fel spänning, skada orsakad av kemiska eller elektrokemiska reaktioner, rost, korrosion eller vattenskador, inklusive, men inte begränsat till skada orsakad av närvaron av överdriven kalkavlagring i vattenledningarna och skador orsakade av atmosfäriska och

naturliga händelser.

- Förbrukningsdelar, t.ex. batterier och glödlampor.
- Dekorativa och icke-funktionella delar som inte påverkar normal användning av apparaten, inklusive repor och färgförändringar.
- Oavsiktlig skada orsakad av främmande ämnen eller föremål och rengöring eller frögoring av filter, avloppssystem eller diskmedelsfack.
- Skada på delar som keramikglas, tillbehör, porslins- och besticklådor, matnings- och avtappningsrör, tätningar, lampor och lampskydd, skärmar, vred, kåpor och delar av kåpor, om inte dessa skador kan bevisas ha orsakats av produktionsfel.
- Fall då det inte har upptäckts defekter vid besöket av en tekniker.
- Reparationer som inte har utförts av serviceföretaget som utsetts av IKEA eller en av dess auktoriserade servicepartners eller reparationer vid vilka man inte har använts originalreservdelar.
- Reparationer som orsakats av en felaktig installation eller som inte är i överensstämmelse med specifikationerna.
- Användning av hushållsapparaten i en icke-hushållsmiljö, t ex för yrkesmässig användning.
- Skador på grund av transporten. Vid transport som utförs av kunden till den egna bostaden eller en annan leveransadress ansvarar inte IKEA för eventuella skador som uppstår under transporten. Om transporten till kundens leveransadress däremot utförs av IKEA omfattas eventuella transport-skador av denna garanti.
- Första installationskostnaden för IKEA-apparaten. Om en IKEA-utsedd tjänsteleverantör eller dess auktoriserade servicepartner reparerar eller byter ut utrustningen under garantin, måste tjänsteleverantören eller auktoriserad servicepartner dock också tillhandahålla installationen av den reparerade eller den nya ersättningsapparaten, vid behov.

Dessa begränsningar gäller inte för arbeten som utförs fackmässigt av kvalificerad

personal och med originalreservdelar för att anpassa apparaten till säkerhetsstandarderna i ett annat EU-land.

Tillämpande av nationella lagar

IKEA garantin ger kunden specifika lagliga rättigheter i tillägg till de lagstadgade rättigheter som kan variera mellan olika länder. Emellertid begränsar inte dessa villkor på något sätt konsumentens rättigheter enligt den lokala lagstiftningen.

Giltighetsområde

Vid apparater som köps i ett EU-land och förflyttas till ett annat EU-land erbjuds service utifrån de garantivillkor som är tillämpliga i det nya landet. Skyldigheten att tillhandahålla tjänsten enligt garantivillkoren föreligger endast om apparaten är kompatibel och installerad i enlighet med:

- tekniska specifikationer för det land där tillämpning av garanti begärs;
- säkerhetsinformation i Bruksanvisningen.

Efterförsäljningstjänst för IKEA-hushållsapparater:

Tveka inte att kontakta IKEA Efterförsäljningstjänst för att:

1. begära assistans genom att nyttja garantin;
2. be om förtydliganden om installationen av hushållsapparaterna från IKEA i de specifika inbyggnadsskåpen från IKEA. Kundservice erbjuder inte hjälp eller förtydliganden avseende:
 - installation av kompletta kök från IKEA;
 - elanslutningar (om apparaten levereras utan kablar och stickkontakter), vattenanslutningar och anslutningar till gassystemet som ska utföras av en auktoriserad service-tekniker.
3. Be om förtydliganden om innehållet i bruksanvisningen och specifikationerna för apparaten från IKEA.

För att garantera bästa möjliga service ber vi dig att noggrant läsa igenom monteringsanvisningarna och/eller bruksanvisningen innan du kontaktar oss.

Hur du kontaktar oss om du behöver vårt ingrepp



Se sista sidan i denna bruksanvisning för en fullständig lista över IKEA:s auktoriserade serviceverkstäder och motsvarande nationella telefonnummer.

Viktigt! För att garantera en snabbare service rekommenderar vi att du använder de telefonnummer som listas i slutet av denna

bruksanvisning. För att begära assistans, hänvisa alltid till de specifika koderna för apparaten, som du finner i denna manual. Se till att ha IKEA produktkoden (8 siffror) till handa för den apparat som serviceförfrågan avser innan du kontaktar oss.

Viktigt! BEVARA KVITTOT!

Det är inköpsbeviset och det är nödvändigt att visa upp det för att utnyttja garantin. På kvittot står även namnet och koden (med 8 siffror) för varje inköpt apparat från IKEA.

Behöver du någon annan hjälp?

För alla ytterligare frågor som inte rör efterförsäljning av dina apparater. Kontakta närmaste IKEA försäljningsställe. Vi rekommenderar att du noggrant läser apparatens dokumentation innan du kontaktar oss.

Innihald

Öryggisupplýsingar	115	Hvað á að gera ef ...	122
Almennar upplýsingar	118	Tæknigögn	122
Vörulýsing	119	Orkunýtni	124
Stjórnborð	119	Umhverfisþættir	125
Almenn ráð	120	ÁBYRGÐ IKEA	125
Þrif og umhirða	120		

Öryggisupplýsingar

i Til að tryggja öryggi þitt og rétta notkun búnaðarins, vinsamlegast lestu þessa handbók vandlega fyrir uppsetningu og notkun. Geymdu þessar leiðbeiningar ávallt með búnaðinum, jafnvel þótt það sé selt eða afhent þriðja aðila. Mikilvægt er að notendur þekki alla notkunar- og öryggiseiginleika búnaðarins.

! Tenging raflagna verður að vera framkvæmd af sérhæfðum tæknimanni.

- Framleiðandinn er ekki ábyrgur fyrir tjóni sem stafar af rangri eða ófullnægjandi uppsetningu.
- Lágmarksöryggisfjarlægð milli helluborðsins og háfsins er: 500mm fyrir rafmagnshelluborð og 650mm fyrir gashelluborð.
- Ef uppsetningarleiðbeiningar fyrir gashelluborð tilgreina meiri fjarlægð en tilgreind er hér að ofan, verður að taka tillit til þess.
- Gakktu úr skugga um að netspennan samsvari þeirri sem gefin er upp á merkiplötunni sem er fest inni í háfinum.
- Straumlökarnir verða að vera uppsettir í fasta kerfinu í sam-

ræmi við reglur um raflagnir.

- Fyrir tæki í flokki I skal ganga úr skugga um að heimarafkerfið sé með viðeigandi jarðtengingu.
- Tengdu háfinn við loftræstingu með röri sem er að lágmarki 150 mm í þvermál. Leið loftsins verður að vera eins stutt og hægt er.
- Fara þarf eftir öllum reglum um loftlosun.
- Tengdu ekki háfinn við útsogsbarka sem flytja reyk frá bruna (kötlum, eldstæðum o.s.frv.).
- Ef útsogsbúnaðurinn er notaður ásamt tækjum sem ekki eru rafmagnstæki (t.d. gasbrennandi tæki), verður að tryggja nægilega loftun í herberginu til að koma í veg fyrir bakflæði út- blásturslofts. Þegar eldavélarháfur er notaður ásamt búnaði sem knúinn er annarri orku en rafmagni má undirþrýstingurinn í herberginu ekki vera meiri en 4 Pa mbar til að koma í veg fyrir að loft sogist inn í herbergið með háfinum.
- Ekki má hleypa loftinu út í rás sem er notuð fyrir útblástursloft frá tækjum sem brenna gasi eða öðru eldsneyti.
- Ef rafmagnssnúran er skemmd, verður að skipta um hana af framleiðanda eða þjónustutæknimanni.
- Tengdu klóna við innstungu sem er í samræmi við gildandi reglur og er staðsett á aðgengilegum stað.
- Varðandi tækni- og öryggisráðstafanir sem þarf að gera við losun lofts er mikilvægt að fylgja nákvæmlega þeim reglum sem staðbundin yfirvöld setja.

⚠ VIÐVÖRUN: Fjarlægðu hlífðarfilmurnar áður en þú setur háfinn upp.

- Notaðu aðeins skráfur og smáhluti af þeirri gerð sem henta háfinum.

⚠ VIÐVÖRUN: Ef skráfur eða festibúnaður er ekki uppsettur í samræmi við þessar leiðbeiningar getur það valdið rafmagnshættu.

- Tengdu háfinn við aflgjafa með tvískauta rofa með a.m.k. 3 mm fjarlægð á milli tengla.
- Horfðu ekki beint á ljósið í gegnum sjóntæki (sjónauka, stækkunargler ...).
- Flamberið ekki undir háfnum; eldhætta.
- Börn eldri en 8 ára geta notað þennan búnað og einstaklingar með skerta líkamlega, skynræna eða andlega getu eða skort á reynslu og þekkingu ef þau hafa fengið tilsögn eða leiðbeiningar varðandi notkun búnaðarins á öruggan hátt og skilja þá hættu sem fylgja notkun. Börn mega ekki leika sér með búnaðinn. Þrif og viðhald notanda mega börn ekki annast, nema þau séu undir eftirliti.
- Börn skulu fá leiðbeiningar til að tryggja að þau leiki sér ekki með búnaðinn.
- Einstaklingar (þar með talið börn) með skerta líkamlega, skynræna eða andlega getu eða skort á reynslu og þekkingu, mega ekki nota búnaðinn nema þeir hafi fengið umsjón eða leiðbeiningar.

⚠ Aðgengilegir hlutar geta orðið heitir þegar þeir eru notaðir með eldunartækjum

- Þrífðu og/eða skiptu um síurnar eftir tilgreindan tíma (eldhætta).
- Loftræsting skal vera fullnægjandi í herberginu þegar háfurinn er notaður um leið og tæki sem brenna gasi eða öðru eldsneyti (á ekki við um tæki sem einungis hleypa loftinu aftur út í herbergið).
- Eldhúsháfar og önnur eldunarloftræsting geta haft áhrif á örugga notkun tækjabúnaðar sem brennir gasi eða öðru elds-

neyti (þar með talið í öðrum herbergjum) vegna bakflæðis brunalofttegunda. Þessar lofttegundir geta valdið kolmónoxíðeitrun. Eftir að eldhúsháfur hefur verið settur upp eða önnur eldunarlofttræsting skal ganga úr skugga um að gasbúnaðurinn sé prófaður af viðukenndum tæknimanni til að tryggja að ekkert bakflæði brunalofttegunda sé til staðar.

Almennar upplýsingar

Notkun

- Slökktu á eða taktu búnaðinn úr sambandi áður en einhverju viðhaldi er sinnt.
- Ekki má nota topphluta háfsins sem hillu.
- Háfurinn hefur eingöngu verið hannaður til að útrýma matreiðslulykt við heimilisnotkun.
- Notaðu háfinn aldrei í öðrum tilgangi en þeim sem hann var hannaður fyrir.
- Skildu aldrei eftir háan loga undir háfinum þegar kveikt er á honum.
- Stilltu logastyrkinn til að þeina honum aðeins á botn þönnunnar og gakktu úr skugga um að hann fari ekki út til hliðanna.
- Fylgjast verður stöðugt með djúpsteikingarbúnaði meðan á notkun stendur: ofhitið olía getur valdið eldsvoða.

Uppsetningaraðferð

Háfurinn hefur verið hannaður til uppsetningar og notkunar í "útsogsútgáfunni" eða í "lofthringrásarútgáfunni".



Útsogsútgáfa (sjá tákn í uppsetningarleiðbeiningunum)

Matreiðslugufa er söguð og leidd út úr húsinu í gegnum barka (fylgir ekki), sem sett

er á úttak háfsins. Gakktu úr skugga um að úttaksbarkinn sé rétt uppsettur við loftúttakið með því að nota viðeigandi tengikerfi.



Lofthringrásarútgáfa (sjá tákn í uppsetningarleiðbeiningunum)

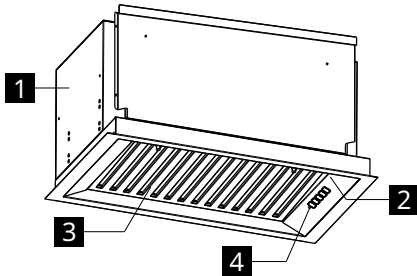
Loftið er síað í gegnum eina eða fleiri kolefnasíur og síðan flutt aftur inn í herbergjið.

Mikilvægt: Gakktu úr skugga um að loftflæði sé nægt umhverfis háfinn.

Mikilvægt: Ef háfurinn er afhentur án kolefnasía og sett upp í hringrásarham, verður að setja þær í áður en hægt er að nota háfinn. Síurnar eru fánlegar í verslunum.


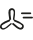



Háfinn skal setja upp fjarri sérstaklega óhreinum svæðum, gluggum, hurðum og hitagjöfum. Aukabúnaður fyrir veggfestingar er ekki innifalinn þar sem hann er mismunandi eftir veggjaefni. Notaðu festingarkerfi sem henta veggjum heimilisins og þyngd búnaðarins. Fyrir frekari upplýsingar, hafðu samband við sérhæfða söluaðila. Geymdu þennan bækling til síðari nota.

Vörulýsing



- 1 Háfhús
- 2 Lýsing
- 3 Fitúsía
- 4 Stjórnborð

Stjórnborð


		 A	 B	 C	 D	 E
Lykill	Ýtt á lykil	Virkni				Díóður
A Hraði	Stutt	Slekkur/kveikir á mótornum við hraða eitt.				Kveikja eða slökkva
B Hraði	Stutt	Ræsir mótörinn á öðrum hraða. Lykillinn A verður að vera valinn.				A + B er kveikt
C Hraði	Stutt	Ræsir mótörinn á þriðja hraða. Lykillinn A verður að vera valinn.				A + C er kveikt
D Hraði	Stutt	Kveikir á mótornum við aukahraða. Þessi hraði er tímastilltur á 6 mínútur. Við lok þess tíma fer kerfið sjálfkrafa á þann hraða sem áður var valinn. Ef þetta er virkjað þegar slökkt er á mótornum mun hann slokkna við lok tímans. Til að afvirkja skal ýta á hnapp A, B eða C. Takinn A verður að vera valinn.				A Á D Blikkar
E Ljós	Stutt	Slekkur og kveikir á lýsingarkerfi við hámarksstyrk.				Kveikja eða slökkva
	Lengi	Eykur eða minnkar lýsingarstyrkinn.				Kveikja eða slökkva

Almenn ráð

- Notaðu háfinn á lágmarkshraða í upphafi eldunar og hafðu hann í gangi í nokkrar mínútur eftir að eldun er lokið.
- Auktu aðeins hraðann þegar mikið magn af reyk og gufu er til staðar og notaðu aflaukahraðann/hraðana aðeins við öfgaaðstæður.
- Skiptu um síu eða kolefnasíur þegar

- nauðsyn krefur til að viðhalda góðri skilvirkri lyktareyðingu.
- Hreinsaðu fitusíuna eða síurnar þegar nauðsyn krefur til að viðhalda góðri fitu-
upptökuskilvirkni.
- Notaðu hámarksþvermál lagna sem tilgreint er í þessari handbók til að hámarka skilvirkni og lágmarka hávaða.

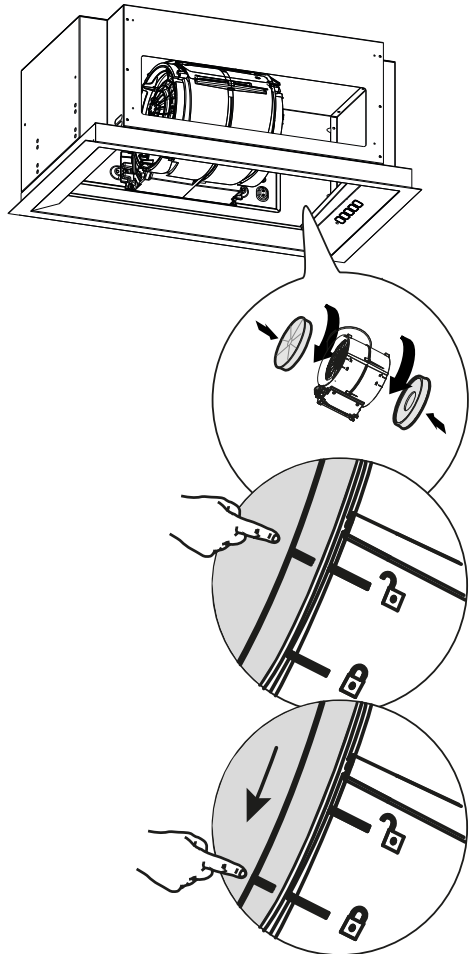
Þrif og umhirða

 Slökktu á eða taktu búnaðinn úr sambandi áður en einhverju viðhaldi er sinnt.

MIKILVÆGT: Hreinsaðu háfinn með rökum klút og hlutlausu fljótandi þvottaefni.

Langlíf kolefnasía (græn)

Lyktareyðingarsíuna er hægt að þvo og endurnýja á 3-4 mánaða fresti (eða oftar ef húfurinn er mikið notaður), að hámarki 8 endurnýjunarlotur (við sérstaklega mikla notkun er mælt með að ekki sé farið yfir 5 lotur).

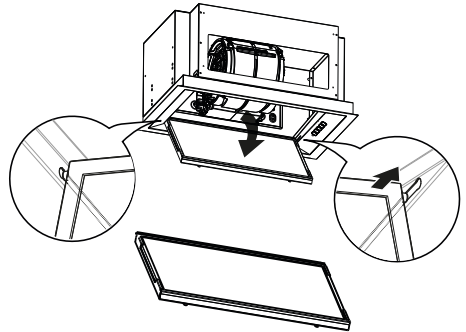


Endurnýtingarferli

- Þvoið í uppþvottavél við HÁM. hitastig 70° eða handþvoið í heitu vatni án þess að nota slípandi svampa (notið ekki hreinsiefni!).
- Þurrkið í ofni við hitastig að HÁM. 70° í 2 klukkustundir (ráðlegt er að lesa notenda-handbók og uppsetningarleiðbeiningar með viðkomandi ofni vandlega).

Fitusíur

Haltu áfram að þrifa eða skipta um síurnar með áætluðu millibili til að halda háfnum í góðu lagi og forðast hugsanlega eldhættu vegna of mikillar fitusöfnunar. Hreinsa þarf fitusíurnar eftir 2 mánaða notkun eða oftár ef um er að ræða mjög mikla notkun og þær má þvo í uppþvottavél.



Skipti á ljósum

Til að skipta út skaltu hafa samband við viðurkennda þjónustumiðstöð.

Hvað á að gera ef ...

Ef að bilun kemur upp, reyndu fyrst að finna lausn sjálfur. Ef þú getur ekki leyst vandamálið sjálfur skaltu hafa samband við viðurkennda þjónustumiðstöð.

fara eftir samsetningarleiðbeiningunum, getur verið nauðsynlegt að greiða fyrir heimsókn viðurkennds tæknimanns þjónustumiðstöðvar, jafnvel á ábyrgðartímanum.

i Ef búnaðurinn er notaður á óviðeigandi hátt eða uppsetning framkvæmd án þess að

VANDAMÁL	HUGSANLEG ORSÖK	LAUSN
Búnaðurinn er ekki stöðugur.	Búnaðurinn hefur ekki verið uppsettur rétt.	Fylgdu uppsetningarleiðbeiningunum sem fylgja búnaðinum.
Búnaðurinn er ekki láréttur.	Búnaðurinn hefur ekki verið uppsettur rétt.	Fylgdu uppsetningarleiðbeiningunum sem fylgja búnaðinum.
Frammistaðan hvað varðar fitutöku er ekki viðunandi.	Olía og fita á málm síunum eða á kolefnasíunum.	Fylgdu þrífatíðni síanna eins og lýst er í notendahandbókinni.
Búnaðurinn virkar ekki.	Búnaðurinn hefur ekki verið tengdur rétt.	Athugaðu hvort rafmagnssnúran sé tengd við mótórin eða að klóin sé tengd við innstunguna.
Ljósíð virkar ekki.	Díóðuljósíð er bilað.	Til að skipta út skaltu hafa samband við viðurkennda þjónustumiðstöð.
Háfurinn er háværi en væntingar viðskiptavinarins.	Þvermál loftops í veggnum er of lítið og veldur því að þrýstingur lækkar og mótörhraðinn eykst.	Fylgdu uppsetningarleiðbeiningunum sem fylgja búnaðinum.
	Varan er uppsett í hringrásarham.	Varan í hringrásarham (og með kolefnasíu ísettri) er háværi en vara í útsogsham.
	Lofttræstírásin er með fleiri en eina beygju.	Ef loftlosunarkerfi byggingarinnar hefur margar beygjur eða er með langa vegalengd getur varan verið háværi.

Áður en þú hefur samband við viðurkennda þjónustumiðstöð:

Kveiktu aftur á rafmagninu til að athuga hvort vandamálið sé horfið. Ef það er ekki raunin skaltu slökkva á honum og endurtaka aðgerðina eftir eina klukkustund. Ef að búnaðurinn virkar enn ekki rétt eftir að hafa

framkvæmt þær athuganir sem taldar eru upp í bilanaleitarhandbókinni og kveikt á búnaðinum aftur, hafðu samband við viðurkennda þjónustumiðstöð og útskýrðu vandamálið á skýran hátt og tilgreindu:

- tegund bilunar;
- gerð;
- gerð og raðnúmer búnaðarins (tilgreint á gagnaplötunni).

Tæknigögn

		Eining	Gildi
Tegund vöru			Innbyggt helluborð
Mál	Breidd	mm	599
	Dýpt	mm	358
	Lág-/Hám. hæð	mm	290
Mesti sogkraftur* - með útblásturskerfi		m3/h	450
Hámarks hávaði* - Útsog		dBA	55

Orkunýtni

Vöruupplýsingar samkvæmt reglugerð ESB nr. 66/2014	Eining	Gildi
Framleiðandi	IKEA	
Gerðarauðkenni	MÅNGSBO 906.091.16 106.176.10 906.176.11	
Árleg orkunotkun	kWh/a	26,9
Tímaaukningarstuðull		0,5
Skilvirkni straumkrafts		40,5
Orkunýtnistuðull		29,9
Mælt loftstreymi við hámarksafköst	m ³ /klst	410
Mældur loftþrýstingur við hámarksafköst	Pa	469
Hámarks loftflæði	m ³ /klst	450
Mælt raforkuinntak við hámarksafköst	W	132
Nafnstyrkur lýsingarkerfisins	W	3,8
Meðallýsing lýsingarkerfisins á eldunarfletinum	Lúx	275
Mæld orkunotkun í biðstöðu	W	0,49
Mæld orkunotkun þegar slökkt er á tækinu	W	0,0
Mesta hávaðastig (aflauki undanskilinn)	dbA	66

Tilvísanir í staðla:

EN/IEC 61591
EN/IEC 60704-1
EN/IEC 60704-2-13
EN/IEC 60704-3
EN 50564


Orkusparnaður

Búnaðurinn inniheldur eiginleika sem hjálpa til við að spara orku við daglega matreiðslu.

Umhverfisþættir

Förgun heimilistækja




Táknið  á vörunni eða umbúðum hennar gefur til kynna að ekki megi farga vörunni með venjulegu heimilissorpi. Vörunni verður að farga á sérhæfðum endurvinnslustöðvum fyrir rafmagns- og rafeindahluti. Með því að tryggja að þessari vöru sé fargað á viðeigandi máta kemur þú í veg fyrir hugsanleg neikvæð áhrif á umhverfið og heilsu manna sem hlotist gætu af óviðeigandi förgun. Nánari

upplýsingar um endurvinnslu á þessari vöru er hægt að nálgast hjá viðkomandi bæjaryfirvöldum, á næstu endurvinnslustöð eða í versluninni þar sem varan var keypt.

Tækið er í samræmi við tilskipun 2012/19/ESB um að draga úr notkun hættulegra efna í raf- og rafeindatækjum og förgun úrgangs.

Förgun umbúðaefna

Efni sem merkt eru með táknið  eru endurvinnanleg. Fargið umbúðum í viðeigandi safnlát fyrir endurvinnslu.

ÁBYRGÐ IKEA

Hve lengi gildir ábyrgð IKEA?

Ábyrgðin gildir í fimm (5) ár frá þeim degi sem tækið er keypt hjá IKEA. Upphafleg kvittun er nauðsynleg til að staðfesta kaupin. Ef viðgerð fer fram á meðan ábyrgð er enn í gildi framlengist ábyrgðin ekki á tækinu.

Hver annast þjónustuna?

Þjónusta við viðskiptavini er veitt af þjónustuaðila sem IKEA tilnefnir í gegnum fyrirtæki sitt eða net viðurkenndra þjónustuaðila.

Hvað fellur undir þessa ábyrgð?

Ábyrgðin nær til framleiðslu- eða efnisgalla heimilistækisins og gildir frá því að varan er keypt í verslun IKEA. Ábyrgðin gildir aðeins fyrir heimilistæki sem eru ætluð til heimilisafnota. Undantekningar eru tilgreindar í liðnum „Hvað fellur ekki undir þessa ábyrgð?“. Allur kostnaður vegna viðgerða (varahlutir, vinnu- og ferðakostnaður tæknimanna) verður greiddur af þjónustuaðila á meðan ábyrgðin er enn í gildi, að því tilskyldu að tækið sé aðgengilegt fyrir viðgerð án þess að aukakostnaður hljótist af. Þessi skilyrði eru í samræmi við tilskipun ESB (nr. 99/44/EB) og viðeigandi staðbundin lagaákvæði. Hlutirnir sem skipt er út verða eign IKEA.

Hvað gerir IKEA til að leysa vandann?

Þjónustuveitandinn sem IKEA tilnefnir mun skoða vöruna og ákvarða hvort ábyrgðin gildir fyrir hana. Ef svo er mun þjónustuveitandi IKEA eða viðurkenndur þjónustusamstarfsaðili hans, í gegnum þjónustumiðstöðvar sínar, að eigin ákvörðun, annaðhvort gera við gallaða vöru eða skipta henni út fyrir vöru með sama eða sambærilegu verðmæti.

Hvað fellur ekki undir þessa ábyrgð?

- Eðlilegt slit.
- Viljandi skemmdir eða skemmdir vegna vanrækslu, skemmdir af völdum þess að notkunarleiðbeiningum er ekki fylgt, óviðeigandi uppsetningu eða tengingu við ranga spennu, skemmdir af völdum efna- eða rafefnafræðilegra viðbragða, ryðs, tæringer eða vatnstjóns, þ.m.t. kalk í vatnslögnum og skemmdir af völdum veðurs og náttúrulegra atvika.
- Slithlutir eins og rafhlöður og ljósaperur.
- Hlutir sem eru til skrauts og annað sem hefur engin áhrif á venjulega virkni tækisins eins og rispur eða litabreytingar.
- Skemmdir sem orsakast af öðrum utanaðkomandi hlutum eða efnum þegar sápuhólf, sía eða afrennsliskerfi eru hreinsuð.
- Skemmdir á eftirfarandi hlutum: Keramikhellum, fylgihlutum, hnífaparakörfum, að-

og frárennslisrörum, þéttingum, perum og peruhlífum, skjáum, hnúðum, hlífum eða hluta af hlífum, nema hægt sé að sanna að skemmdirnar stafi af framleiðslugöllum.

- Tilfelli þar sem engin bilun finnst við skoðun viðgerðarmanns.
- Þegar viðgerðir fara fram hjá þjónustuaðilum sem IKEA hefur ekki tilnefnt eða viðurkennt, eða varahlutir notaðir sem ekki eru upprunalegir.
- Viðgerðir sem þarf að framkvæma vegna rangrar uppsetningar eða uppsetningar sem ekki eru í samræmi við leiðbeiningarnar.
- Notkun heimilistækisins annars staðar en á heimilum, þ.e. í einhvers konar atvinnustarfsemi.
- Skemmdir vegna flutninga. Ef viðskiptavinurinn flytur tækið heim til sín eða á annað heimilisfang ber IKEA ekki ábyrgð á tjóni sem verður við flutning. Ef IKEA flytur heimilistækið heim til viðskiptavinar gildir ábyrgð þessi fyrir tjón sem kann að verða við flutninga.
- Kostnaður við upphaflega uppsetningu IKEA-tækisins. Ef þjónustuveitandi sem tilnefndur er af IKEA eða viðurkenndur þjónustusamstarfsaðili þess gera við eða skipta um búnað sem fellur undir ábyrgðina, þá skal þjónustuveitandinn eða viðurkenndi þjónustusamstarfsaðilinn einnig setja upp viðgerða tækið aftur eða tæki sem skipt er um þegar þörf krefur.

Þessar takmarkanir eiga ekki við um vinnu sem framkvæmd er á réttan hátt af hæfum fagmönnum þar sem notast er við upphaflega varahluti til að laga tækið að tæknilegum öryggiskröfum annars Evrópusambandslands.

Gildi landslaga

Ábyrgð IKEA veitir viðskiptavininum sérstök lagaleg réttindi til viðbótar við lögbundin réttindi sem eru mismunandi eftir löndum. Þessir skilmálar takmarka þó ekki á neinn hátt þann rétt neytenda sem tilgreindur er í staðbundinni löggjöf.

Gildissvæði

Ef heimilistæki eru keypt í einu

Evrópusambandslandi og flutt til annars Evrópusambandslands, er veitt þjónusta í samræmi við þá ábyrgðarskilmála sem eiga við í landinu sem flutt var til. Skylda til að veita þjónustu samkvæmt ábyrgðarskilmálum er aðeins til staðar ef heimilistækið stenst og er sett upp í samræmi við:

- tæknilegar kröfur landsins þar sem ábyrgðarkrafan er sett fram;
- öryggisupplýsingar sem tilgreindar eru í notendahandbókinni.

Eftirsöluþjónusta fyrir tæki frá IKEA:

Hikið ekki við að hafa samband við eftirsöluþjónustu IKEA:

1. biðja um þjónustu varðandi ábyrgðina;
2. biðja um skýringar á uppsetningu IKEA-tækja í sérstökum eldhússkápum IKEA . Þjónustan veitir ekki stuðning eða skýringar varðandi:

- uppsetningu heilla IKEA-eldhúsa;
- rafmagnstengingar (ef tækið er afhent án kapla og innstungna), vökvatengingar og tengingar við gasveitu sem viðurkenndur tæknimaður verður að annast.

3. biðja um skýringar á innihaldi notendahandbókarinnar og tæknilýsingum IKEA-tækisins.

Til að tryggja bestu mögulegu aðstoð, vinsamlegast lestu samsetningarleiðbeiningarnar og/eða notendahandbókina vandlega áður en þú hefur samband við okkur.

Hvernig hafa skal samband við okkur ef aðstoð óskast



Skoðið listann yfir þjónustuaðila IKEA og viðeigandi staðbundin símanúmer á síðustu síðu þessarar handbókar.

Mikilvægt! Til að tryggja skjótari þjónustu mælum við með því að nota símanúmerin sem er að finna í lok þessarar handbókar. Til að biðja um þjónustu, gefðu upp þá sérstöku tækjakóða sem tilgreindir eru í þessari handbók. Gakktu úr skugga um að þú hafir vörukóða IKEA (8 tölur) fyrir tækið tiltækan áður en þú hefur samband við okkur varðandi þjónustu.

Mikilvægt! GEYMIÐ KVITTUNINA!

Hún er staðfesting á kaupnum og hana

verður að gefa út til að þú getir nýtt þér ábyrgðina. Kvittunin inniheldur einnig nafn og kóða (8 stafa) hvers IKEA-tækis sem þú hefur keypt.

Vantar þig meiri hjálp?

Vinsamlega hafðu samband við næstu IKEA-verslun varðandi allar aðrar spurningar sem ekki tengjast eftirsöluþjónustu tækisins.

Vinsamlega lestu gögnin um tækið vandlega áður en þú hefur samband við okkur.

Conteúdo

Informações de segurança	128	O que fazer se...	136
Informações gerais	132	Dados técnicos	136
Descrição do produto	133	Eficiência energética	138
Painel de comandos	133	Aspetos ambientais	139
Sugestões gerais	134	Garantia IKEA	139
Cuidado e limpeza	134		

Informações de segurança

i Para sua própria segurança e o funcionamento correto do aparelho, é recomendada a leitura atenta deste manual antes da instalação e da colocação em operação. Mantenha estas instruções sempre junto ao aparelho, mesmo no caso de cessão ou transferência a terceiros. É importante que os utilizadores conheçam todas as características de funcionamento e segurança do aparelho.

! A ligação dos cabos deve ser feita por um técnico especializado.

- O fabricante não pode ser considerado responsável por possíveis danos causados por uma instalação ou utilização impróprias.
- A distância mínima de segurança entre a placa de cozinha e o exaustor é de 500 mm para os exaustores de placas elétricas e de 650 mm para os exaustores de placas a gás.
- Se as instruções de instalação da placa de cozinha a gás especificarem uma distância superior à acima indicada, é necessário tê-lo em consideração.
- Verifique se a tensão de rede corresponde à indicada na chapa

de identificação aplicada dentro do exaustor.

- Os dispositivos de seccionamento devem ser instalados no sistema fixo, em conformidade com as normativas sobre o sistema de cablagem.
- Para os aparelhos de Classe I, verifique se a rede de alimentação doméstica dispõe de uma ligação à terra adequada.
- Ligue o exaustor ao tubo de evacuação de fumos com um tubo de diâmetro mínimo de 150 mm. O percurso dos fumos deve ser o mais curto possível.
- Devem ser respeitadas todas as normas relativas à exaustão do ar.
- Não ligue o exaustor de extração às condutas de fumos que transportam fumos de combustão (por ex., de caldeiras, chaminés etc.).
- Se o exaustor for usado em combinação com aparelhos não elétricos (por ex., aparelhos a gás), deve ser garantido um grau de ventilação suficiente no local para impedir o retorno do fluxo dos gases de exaustão. Quando o exaustor de cozinha for utilizado em combinação com aparelhos não alimentados pela corrente elétrica, a pressão negativa no local não deve exceder 4 Pa para evitar que os fumos sejam novamente aspirados para o local do exaustor.
- O ar não deve ser evacuado através de uma conduta usada para a exaustão dos fumos de aparelhos de combustão alimentados a gás ou outros combustíveis.
- Se o cabo de alimentação estiver danificado, deve ser substituído pelo fabricante ou por um técnico do serviço de assistência.
- Ligue a ficha a uma tomada em conformidade com os regulamentos em vigor, numa posição acessível.
- Relativamente às medidas técnicas e de segurança a adotar para a exaustão dos fumos, é importante respeitar estrita-


mente os regulamentos estabelecidos pelas autoridades locais.

⚠️ ADVERTÊNCIA: antes de instalar o exaustor, remova as películas de proteção.

- Utilize apenas parafusos e peças pequenas de tipo adequado para o exaustor.

⚠️ ADVERTÊNCIA: a falha na instalação dos parafusos ou do dispositivo de fixação de acordo com estas instruções pode resultar em riscos elétricos.

- Ligue o exaustor à rede de alimentação elétrica através de um interruptor bipolar com distância entre os contactos de pelo menos 3 mm.
- Não olhe diretamente para a luz com instrumentos óticos (binóculo, lupa...).
- Não cozinhe ao flambé sob o exaustor: poderá provocar um incêndio.
- Este aparelho pode ser utilizado por crianças com idade igual ou superior a 8 anos e por pessoas com capacidades físicas, sensoriais ou mentais diminuídas ou com experiência e conhecimento insuficientes, desde que sejam vigiadas e tenham recebido instrução sobre a utilização do aparelho em condições de segurança e compreendam os perigos que o seu uso comporta. As crianças não devem brincar com o aparelho. A limpeza e manutenção do aparelho não devem ser realizadas por crianças, a não ser que sejam vigiadas.
- Vigie as crianças, certificando-se de que não brinquem com o aparelho.
- O aparelho não deve ser utilizado por pessoas (incluindo crianças) com capacidades psico-físico-sensoriais diminuídas ou com experiência e conhecimentos insuficientes, salvo se vigiadas atentamente e instruídas.

 As peças acessíveis podem tornar-se muito quentes durante a utilização dos aparelhos de cozinha

- Limpe e/ou substitua os filtros após o período de tempo especificado (perigo de incêndio).
- Deve estar presente ventilação adequada no local quando o exaustor for usado em simultâneo com aparelhos que usam gás ou outros combustíveis (não aplicável a aparelhos que descarregam unicamente o ar no local).
- Os exaustores de cozinha e outros extratores de fumos de cozedura podem comprometer o funcionamento seguro dos aparelhos que queimam gás ou outros combustíveis (incluindo aqueles localizados em outros ambientes), devido ao fluxo de retorno dos gases de combustão. Estes gases podem provocar envenenamento por monóxido de carbono. Após a instalação de um exaustor de cozinha ou de qualquer outro extrator de fumos de cozedura, assegure-se de que os aparelhos a gás sejam testados por uma pessoa competente para garantir que não ocorra um fluxo de retorno dos gases de combustão.

Informações gerais

Utilização

- Apague ou desconecte o aparelho da rede de alimentação elétrica antes de qualquer operação de limpeza ou manutenção.
- O exaustor não deve ser utilizado como superfície de apoio.
- O exaustor foi concebido exclusivamente para a eliminação dos odores de cozedura em utilização doméstica.
- Nunca utilize o exaustor para fins diferentes daqueles para os quais foi concebido.
- Nunca deixe chamas altas sob o exaustor quando estiver em funcionamento.
- Regule a intensidade da chama de modo a direcioná-la exclusivamente para o fundo do recipiente de cozedura, assegurando-se de que não envolva os seus lados.
- As fritadeiras devem ser constantemente controladas durante a utilização: o óleo sobreaquecido pode incendiar-se.

Modo de instalação

O exaustor foi concebido para a instalação e utilização na “versão de aspiração” ou na “versão de circulação de ar”.



Versão de aspiração (veja o símbolo nas instruções de instalação)

O vapor de cozedura é aspirado e conduzido para fora da habitação através de um tubo de

exaustão (não fornecido em dotação) instalado à saída do vapor do exaustor. Certifique-se de que o tubo de exaustão esteja instalado corretamente na saída de ar, utilizando um sistema de ligação adequado.



Versão de circulação (veja o símbolo nas instruções de instalação)

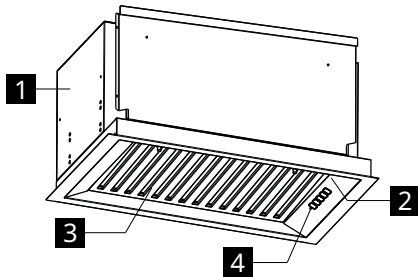
O ar é filtrado através de um ou mais filtros e depois conduzido de volta para o local.

Importante: Certifique-se de que haja uma circulação de ar correta ao redor do exaustor.

Importante: Se o exaustor não for fornecido com filtros de carvão, estes devem ser encomendados e montados antes da utilização do aparelho. Os filtros estão disponíveis no comércio.


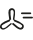



O exaustor deve ser instalado longe de áreas particularmente sujas, janelas, portas e fontes de calor. Os acessórios de fixação à parede não estão incluídos, porque variam de acordo com o material da parede. Utilize sistemas de fixação adequados às paredes da própria habitação e ao peso do aparelho. Para obter informações mais detalhadas, entre em contacto com um revendedor especializado. Guarde estas instruções para consultas futuras.

Descrição do produto



- 1 Corpo do exaustor
- 2 Iluminação
- 3 Filtro de gorduras
- 4 Quadro de comandos

Painel de comandos

<div style="display: flex; justify-content: space-around; align-items: center;"> <div style="text-align: center;">  A </div> <div style="text-align: center;">  B </div> <div style="text-align: center;">  C </div> <div style="text-align: center;">  D </div> <div style="text-align: center;">  E </div> </div>			
Tecla	Pressão da tecla	Função	LED
A Velocidade	Curta	Liga/desliga o motor à velocidade I.	Ligado ou Desligado
B Velocidade	Curta	Coloca o motor a funcionar na velocidade dois. Deve ser selecionada a tecla A .	A + B estão ligados
C Velocidade	Curta	Coloca o motor a funcionar na velocidade três. Deve ser selecionada a tecla A .	A + C estão ligados
D Velocidade	Curta	Liga o motor à velocidade Intensiva. Esta velocidade é cronometrada para 6 minutos. Ao findar do tempo definido, o sistema regressa automaticamente à velocidade regulada anteriormente. Se for ativada com o motor desligado, ao findar do tempo definido o motor regressará a OFF (desligado). Para desativar, prima o botão A, B ou C. A tecla A deve ser selecionada.	A Acesso D Intermitente
E Luz	Curta	Acende e apaga o sistema de iluminação à intensidade máxima.	Ligado ou Desligado
	Longa	Aumenta ou diminui a intensidade de iluminação.	Ligado ou Desligado

Sugestões gerais

- Acione o exaustor à velocidade mínima quando iniciar a cozedura e mantenha-o a funcionar por alguns minutos após o término da cozedura.
- Aumente a velocidade apenas na presença de grandes quantidades de fumo e vapor e utilize a(s) velocidade(s) intensiva(s) apenas em situações extremas.
- Substitua o(s) filtro(s) de carvão quando necessário para manter uma boa eficiência de redução dos odores.
- Limpe o(s) filtro(s) de gordura quando necessário para manter uma boa eficiência de absorção das gorduras.
- Utilize o diâmetro máximo da canalização indicado neste manual para otimizar a eficiência e reduzir ao mínimo o ruído.

Cuidado e limpeza

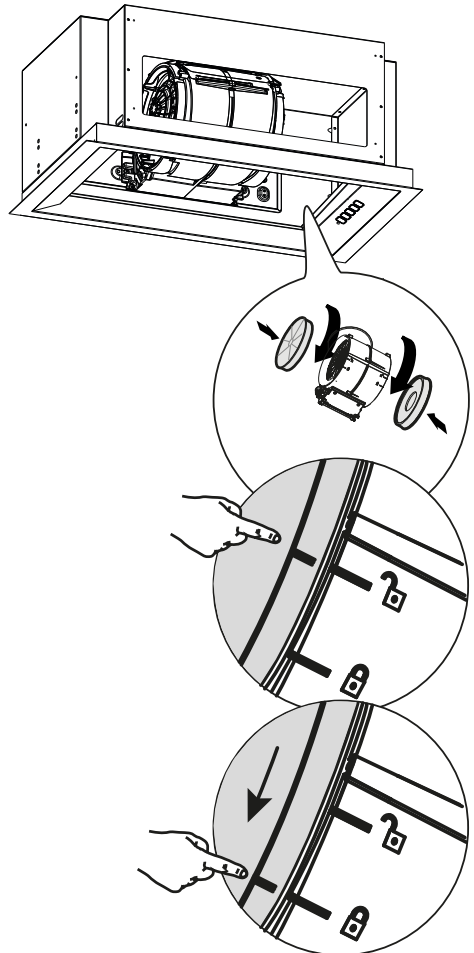


Apague ou desconecte o aparelho da rede de alimentação antes de qualquer operação de manutenção.

IMPORTANTE: Limpe o exaustor com um pano húmido e um detergente líquido neutro.

Filtro de carvão de longa duração (verde)

O filtro antiodores pode ser lavado e regenerado a cada 3-4 meses (ou com maior frequência se o exaustor for submetido a utilização intensiva), até ao máximo de 8 ciclos de regeneração (em caso de utilização especialmente intensiva, é recomendável não exceder os 5 ciclos).



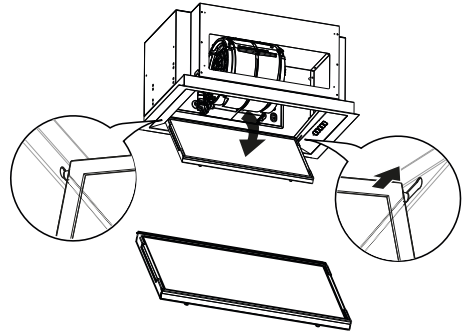
Procedimento de recuperação

- Lave na máquina de lavar louça a uma temperatura MÁX. de 70° ou lave à mão em água quente sem utilizar esponjas abrasivas (não utilize detergentes!).
- Seque no forno a uma temperatura MÁX. de 70° durante 2 horas (recomenda-se que leia com atenção o manual de utilização e as instruções de montagem do próprio forno).

Filtros de gorduras

Continue a limpar ou substituir os filtros conforme os intervalos de tempo indicados, para manter o exaustor em bom estado de funcionamento e evitar o potencial risco de incêndio decorrente de uma acumulação excessiva de gordura. Os filtros de gordura devem ser limpos a cada 2 meses de

funcionamento, ou com maior frequência em caso de utilização muito intensiva, e podem ser lavados na máquina de lavar louça.

**Substituição de lâmpadas**

Para a substituição, contacte um Centro assistência autorizado.

O que fazer se...

Perante uma avaria, em primeiro lugar procure encontrar sozinho uma solução. Se não conseguir resolver o problema sozinho, contacte um centro de assistência autorizado.

i Em caso de utilização inapropriada do aparelho ou de instalação efetuada sem respeitar as instruções de montagem, poderá ser necessário pagar a visita do técnico do Centro de Assistência Autorizado, mesmo durante o período de validade da garantia.

PROBLEMA	POSSÍVEL CAUSA	SOLUÇÃO
O aparelho não está estável.	O aparelho não foi instalado corretamente.	Siga as instruções de instalação fornecidas juntamente com o aparelho.
O aparelho não está nivelado.	O aparelho não foi instalado corretamente.	Siga as instruções de instalação fornecidas juntamente com o aparelho.
O desempenho em termos de captação das gorduras não é satisfatório.	Presença de óleos e massa nos filtros metálicos ou nos filtros de carvão.	Observe a frequência de limpeza dos filtros conforme descrito no manual de utilização.
O aparelho não funciona.	O aparelho não foi ligado corretamente.	Verifique se o cabo de alimentação está ligado à unidade do motor ou se a ficha está ligada à tomada.
A luz não funciona.	O LED está avariado.	Para a substituição, contacte um Centro assistência autorizado.
O exaustor produz mais ruído que as expectativas do cliente.	O diâmetro da purga do ar na parede é demasiado pequeno e provoca a perda de pressão e o aumento da velocidade do motor.	Siga as instruções de instalação fornecidas juntamente com o aparelho.
	O produto foi instalado na modalidade de recirculação.	O produto na modalidade de recirculação (e com filtro de carvão montado) é mais ruidoso do que um produto na modalidade de aspiração.
	A conduta de ventilação apresenta mais do que uma curva.	Se o sistema de evacuação de fumos do edifício apresentar múltiplas curvas ou cobrir uma longa distância, o produto pode tornar-se mais ruidoso.

Antes de contactar o Centro de Assistência Autorizado:

Reacenda o aparelho para ver se o problema desapareceu. Caso contrário, apague-o novamente e repita a operação após uma hora. Se o aparelho ainda não funcionar corretamente após ter efetuado as

verificações listadas no guia de resolução das avarias e ter ligado novamente o aparelho, entre em contacto com o Centro de Assistência Autorizado explicando o problema de forma clara e especificando:

- o tipo de avaria;
- o modelo;
- o tipo e número de série do aparelho (indicado na placa de dados).

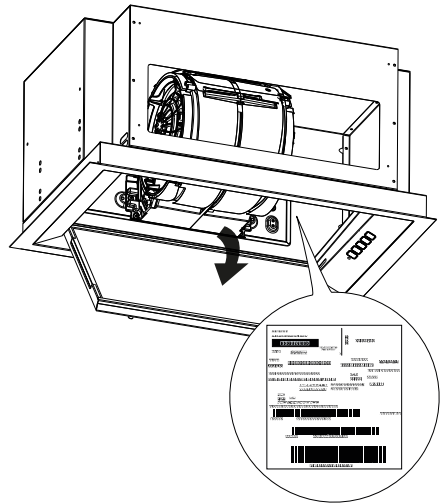
Dados técnicos

		Unidade	Valor
Tipo de produto			Exaustor integrado
Dimensões	Largura	mm	599
	Profundidade	mm	358
	Altura mín./máx.	mm	290

Débitos de ar máx* - Exaustão		m ³ /h	450
Nível máx de ruído - Exaustão		dBA	55
Capacidade máxima de ar*- Circulação		m ³ /h	250
Nível máximo de ruído* - Circulação		dBA	66
Potência total		W	144
Informações da lâmpada	Tipo		Barra LED
	Número e potência		3,8 W
	Engate		N/D
Altura mínima de instalação - placa de cozinha a gás		mm	650
Altura mínima de instalação - placa de cozinha elétrica		mm	500
Peso líquido		Kg	8
* Velocidade máxima (sem definição intensiva)			

Este aparelho foi concebido, fabricado e comercializado em conformidade com as diretivas da CEE **CE**.

Os dados técnicos estão indicados na placa aplicada dentro do aparelho.



Eficiência energética

Informações sobre o produto segundo o regulamento UE nº 66/2014	Unidade	Valor
Nome do fornecedor	IKEA	
Identificação do modelo	MÅNGSBO 906.091.16 106.176.10 906.176.11	
Eficiência anual de consumo	kWh/a	26,9
Fator de aumento de tempo		0,5
Eficiência dinâmica dos fluidos		40,5
Índice de eficiência energética		29,9
Taxa de fluxo de ar medido no ponto de maior eficiência	m³/h	410
Pressão de ar medida no ponto de maior eficiência	Pa	469
Débito de ar máximo	m³/h	450
Potência elétrica medida no ponto de maior eficiência	W	132
Potência nominal do sistema de iluminação	W	3,8
Iluminação média do sistema de iluminação sobre a placa de cozinha	Lux	275
Consumo de corrente medido na modalidade stand-by	W	0,49
Consumo de corrente medido na modalidade off	W	0,0
Nível sonoro à velocidade máxima (sem definição intensiva)	dba	66

Normas de referência:

EN/IEC 61591
EN/IEC 60704-1
EN/IEC 60704-2-13
EN/IEC 60704-3
EN 50564


Economia de energia

O aparelho inclui recursos que ajudam a poupar energia durante a cozedura diária.

Aspetos ambientais

Eliminação dos eletrodomésticos




O símbolo  no produto ou na sua fabricação indica que o produto não deve ser eliminado junto com os resíduos domésticos normais. O produto deve ser eliminado junto a um centro especializado na reciclagem de componentes elétricos e eletrônicos. Assegure-se que este produto seja eliminado corretamente contribuirá para evitar potenciais consequências negativas para o ambiente e para a saúde que poderá derivar de uma eliminação inadequada. Para informações mais detalhadas sobre como

reciclar este produto, entre em contato com as autoridades municipais, o serviço local de eliminação de resíduos ou a empresa onde o produto foi comprado.

O aparelho cumpre o disposto na diretiva 2012/19/UE sobre a redução das substâncias perigosas usadas nos equipamentos elétricos e eletrônicos e a eliminação de resíduos.

Eliminação dos materiais da embalagem

Os materiais com o símbolo  são recicláveis. Elimine os materiais da embalagem em recipientes de coleta apropriados para a reciclagem.

Garantia IKEA

Qual é a duração da garantia IKEA?

Esta garantia é válida durante cinco (5) anos a contar da data original de compra do aparelho no IKEA. O talão de compra original é indispensável como comprovativo de compra. Eventuais reparações efetuadas no âmbito da garantia não prorrogarão o período de garantia do aparelho.

Quem fornece a assistência?

A assistência aos clientes será garantida pelo fornecedor de serviços de assistência nomeado pelo IKEA, através da sua organização ou da sua rede de parceiros de assistência autorizados.

O que está coberto por esta garantia?

A garantia cobre as avarias do aparelho causadas por defeitos de material ou de fabrico, a partir da data da sua compra numa loja IKEA. Esta garantia aplica-se apenas aos aparelhos destinados a uso doméstico. As exceções estão indicadas no parágrafo intitulado "O que não está coberto por esta garantia". No período de validade da garantia, os custos de reparação (peças de reposição, mão-de-obra e deslocamentos dos técnicos) serão suportados pelo serviço de

assistência, contato que o acesso ao aparelho para a intervenções de reparação não comporte despesas particulares. Estas condições obedecem às diretivas UE (Nº. 99/44/CE) e às normas e regulamentos locais aplicáveis. As peças substituídas passam a ser propriedade do IKEA.

O que fará o IKEA para resolver o problema?

O fornecedor do serviço de assistência técnica encarregados do IKEA examinará o produto e decidirá, a seu exclusivo critério, se o mesmo está coberto pela garantia. Em caso afirmativo, o fornecedor do serviço de assistência IKEA ou o seu parceiro de assistência autorizado, através dos próprios centros de assistência, procederá a seu exclusivo critério a reparar o produto defeituoso ou a substituí-lo por outro de valor igual ou equivalente.

O que não está coberto pela garantia?

- Desgaste normal.
- Danos provocados deliberadamente ou decorrentes de negligência, danos causados pela não observância das instruções de funcionamento, por uma instalação incorreta ou por ligação a uma tensão errada,

danos provocados por reações químicas ou eletroquímicas, ferrugem, corrosão ou danos causados por água, inclusivamente a título não limitativo os danos causados pela presença de calcário excessivo nas condutas hídricas, e danos causados por eventos atmosféricos e naturais.

- Peças sujeitas a desgaste, incluindo baterias e lâmpadas.
- Peças decorativas e não funcionais que não tenham influência na utilização normal do eletrodoméstico, incluindo riscos e alterações na cor.
- Danos acidentais provocados por substâncias ou corpos estranhos e limpeza ou libertação dos filtros, sistemas de exaustão ou gavetas de detergente.
- Danos nas seguintes peças: vitrocerâmica, acessórios, cestos de loiças e talheres, tubos de alimentação e drenagem, vedações, lâmpadas e tampas de lâmpadas, visores, manípulos, caixilhos e peças de caixilhos. A menos que se possa provar que tais danos foram causados por falhas de fabrico.
- Casos em que não tenham sido detetadas falhas ou deficiências durante a visita de um técnico.
- Reparações que não tenham sido realizadas pelo fornecedor de serviços nomeado pelo IKEA ou por um seu parceiro autorizado, ou sempre que não tenham sido utilizadas peças não originais.
- Reparações causadas pela instalação incorreta ou não conforme às especificações.
- O uso do eletrodoméstico em ambiente não doméstico, por exemplo para uso profissional.
- Danos decorrentes do transporte. No caso de ser o cliente a transportar o produto para sua casa ou para outra morada, o IKEA não se responsabilizará pelos eventuais danos que possa sofrer durante o transporte. No entanto, se for o IKEA a efetuar a entrega do produto na morada do cliente, os eventuais danos sofridos pelo produto durante o transporte serão cobertos pela presente garantia.
- Custo de instalação inicial do aparelho IKEA. No entanto, se um fornecedor de assistência designado pelo IKEA ou um dos

seu parceiro de assistência autorizados efetuar uma reparação ou substituição do aparelho no âmbito da garantia, o fornecedor ou parceiro de assistência autorizado deverá proceder também à reinstalação do aparelho reparado ou à instalação do aparelho de substituição, se necessário.

Estas restrições não se aplicam aos trabalhos realizados com competência por pessoal qualificado, utilizando as peças originais para adaptar o aparelho às normas de segurança de outro país da UE.

Aplicabilidade das leis nacionais

Além dos direitos previstos na lei, variáveis de país para país, a garantia IKEA concede ao cliente direitos legais específicos. No entanto, tais condições não limitam de nenhum modo os direitos do consumidor descritos na legislação local.

Área de validade

Para aparelhos adquiridos num país da UE e levados para outro país da UE, os serviços serão fornecidos com base nas condições de garantia aplicáveis no novo país. A obrigação de fornecer o serviço com base nas condições da garantia subsiste apenas se o aparelho estiver conforme e for instalado no cumprimento das:

- especificações técnicas do país onde é solicitada a aplicação da garantia;
- informações sobre a segurança contidas no manual de utilização.

Serviço de assistência pós-venda dedicado aos eletrodomésticos IKEA:

Não hesite em entrar em contato com o serviço de assistência pós-venda IKEA para:

1. solicite assistência usufruindo da garantia;
2. pedir esclarecimentos sobre a instalação dos eletrodomésticos IKEA nos móveis de cozinha específicos do IKEA. O serviço não prestará assistência ou esclarecimentos sobre:
 - instalação de cozinhas IKEA completas;
 - ligações elétricas (se o aparelho for fornecido sem cabos e sem ficha), ligações à rede

de água e de gás, porque têm de ser realizadas por um técnico de assistência autorizado.

3. pedir esclarecimentos sobre o conteúdo do Manual de utilização e as especificações do aparelho IKEA.

Para garantir o fornecimento do melhor serviço de assistência, leia com atenção as Instruções de montagem e/ou o Manual de utilização, antes de nos contactar.

Como contactar-nos, se necessitar dos nossos serviços



Consulte a lista completa dos fornecedores de serviços IKEA, com os respetivos números de telefone nacionais, na última página deste manual.

Importante! Para lhe garantir um serviço mais rápido, recomenda-se utilizar os números de telefone indicados no fim deste manual. Para solicitar assistência, indique os códigos específicos do aparelho que encontra no presente manual. Antes de nos contactar, certifique-se de que tem à mão o código de artigo IKEA (de 8 dígitos) do aparelho para o qual necessita de assistência.

Importante! CONSERVE O TALÃO DE COMPRA!

É o seu comprovativo de compra que precisará de apresentar para poder recorrer à garantia. No talão de compra também estão indicados o nome e o código (de 8 dígitos) de cada eletrodoméstico IKEA que adquiriu.

Precisa de ajuda extra?

Para quaisquer questões adicionais não relacionadas com a Pós-Venda dos seus aparelhos. Contacte o nosso centro de atendimento da loja IKEA mais próxima. Recomendamos que leia com atenção a documentação do aparelho, antes de contactar-nos.

Contenido

Informaciones sobre la seguridad	142	Qué hacer si...	150
Informaciones generales	146	Datos técnicos	150
Descripción del producto	147	Eficiencia Energética	152
Panel de mandos	147	Aspectos Ambientales	153
Sugerencias generales	148	Garantía IKEA	153
Limpieza y mantenimiento	148		

Informaciones sobre la seguridad

i Para su propia seguridad y para garantizar el correcto funcionamiento del aparato, lea atentamente este manual antes de la instalación y puesta en marcha. Guarde siempre estas instrucciones con el aparato, incluso si se cede o transfiere a terceros. Es importante que los usuarios estén familiarizados con todas las características de funcionamiento y seguridad del aparato.

! La conexión de los cables debe ser realizada por un técnico competente.

- El fabricante no se hace responsable de los daños provocados por una instalación o uso incorrecto.
- La distancia mínima de seguridad entre la placa de cocción y la campana extractora es de 500 mm para las campanas de cocinas eléctricas y de 650 mm para las campanas de cocinas a gas.
- Si las instrucciones de instalación de la placa de cocción a gas especifican una distancia mayor a la indicada arriba, es necesario tenerlo en cuenta.
- Controle que la tensión de red corresponda con la indicada en

la placa colocada en el interior de la campana.

- Los dispositivos de seccionamiento deben montarse en la instalación fija de acuerdo con las normas sobre sistemas de cableado.
- Para los aparatos de Clase I, compruebe que la red de alimentación de la casa tenga una conexión a tierra adecuada.
- Conecte la campana al canal de humos con un tubo de diámetro mínimo de 150 mm. El recorrido de los humos debe ser el más corto posible.
- Deben respetarse todas las normas relativas a la descarga del aire.
- No conecte la campana extractora a los conductos de humos que transportan humos de combustión (p.e. de calderas, chimeneas, etc.).
- Si la campana se utiliza combinada con aparatos eléctricos (por ej. aparatos a gas), debe estar garantizado un suficiente grado de aireación en el local para impedir el retorno de flujo de los gases de descarga. Cuando la campana para la cocina se utiliza combinada con aparatos no alimentados por la corriente eléctrica, la presión negativa en el local no debe superar 4 Pa para evitar que los humos sean aspirados de nuevo en el local de la campana.
- El aire no debe ser evacuado a través de un conducto utilizado para la descarga de los humos de aparatos de combustión alimentados con gas u otros combustibles.
- Si el cable de alimentación está dañado, debe ser cambiado por el fabricante o por un técnico del servicio de asistencia.
- Conecte el enchufe a una toma conforme con las normativas vigentes y en posición accesible.
- En cuanto a las medidas técnicas y de seguridad a adoptar para la descarga de los humos es importante seguir escrupulosamente los reglamentos establecidos por las autoridades loca-

les.

⚠ ADVERTENCIA: antes de instalar la campana, retire las películas de protección.

- Use solo tornillos y accesorios metálicos adecuados para la campana.

⚠ ADVERTENCIA: la falta de instalación de los tornillos o de los dispositivos de fijación conformes con estas instrucciones puede causar riesgos de descargas eléctricas.

- Conecte la campana a la red de alimentación eléctrica mediante un interruptor bipolar con distancia entre los contactos de al menos 3 mm.
- No observe directamente con instrumentos ópticos (binóculos, lupa...).
- No flamee bajo la campana: se podría provocar un incendio.
- Este aparato puede ser utilizado por niños por niños no menores de 8 años y por personas con reducidas capacidades psico-físico-sensoriales o con experiencia y conocimientos insuficientes, siempre que estén cuidadosamente supervisados e instruidos en el uso seguro del aparato y sobre los peligros que causa. Asegúrese de que los niños no jueguen con el aparato. La limpieza y el mantenimiento por parte del usuario no deben ser realizados por niños, a menos que estén vigilados.
- Vigile a los niños, asegurándose de que no jueguen con el aparato.
- El aparato no debe ser utilizado por personas (incluidos niños) con reducidas capacidades psico-físico-sensoriales o con experiencia y conocimientos insuficientes, a menos que sean cuidadosamente supervisados e instruidos.

⚠ Las partes accesibles pueden calentarse mucho cuando se utilizan aparatos de cocción

- Limpie y/o cambie los filtros después del periodo de tiempo

especificado (peligro de incendio).

- Debe haber presente una adecuada ventilación en el local cuando la campana es utilizada contemporáneamente con aparatos que utilizan gases u otros combustibles (no aplica a aparatos que descargan únicamente el aire en el local).
- Las campanas de cocina y otros extractores de los humos de cocción pueden comprometer el funcionamiento seguro de los aparatos que queman gases u otros combustibles (incluidos los situados en otros ambientes), por el flujo de retorno de los gases de combustión. Estos gases pueden provocar un envenenamiento por monóxido de carbono. Después de la instalación de una campana de cocina o cualquier otro extractor de los humos de cocción, asegúrese de que los aparatos a gas sean probados por una persona competente para garantizar que no se presente un flujo de retorno de los gases de combustión.

Informaciones generales

Uso

- Apague o desconecte el aparato de la red eléctrica antes de efectuar cualquier operación de limpieza o mantenimiento.
- La campana no debe utilizarse como nivel de apoyo.
- La campana extractora ha sido diseñada exclusivamente para la eliminación de los olores de cocción en el uso doméstico.
- La campana extractora no debe utilizarse en ningún caso para fines distintos de aquellos para los que ha sido diseñada.
- Nunca deje llamas altas bajo la campana extractora cuando está en funcionamiento.
- Regule la intensidad de la llama para que se dirija solo hacia el fondo del recipiente de cocción, asegurándose de que no envuelva los lados.
- Las freidoras deben ser constantemente controladas durante su uso: el aceite sobrecalentado podría incendiarse.

Modalidad de instalación

La campana ha sido diseñada para la instalación y el uso en “versión extractora” o en “versión recirculación de aire”.



Versión extractora (véase el símbolo en las instrucciones de instalación)

El vapor de cocción es aspirado y transportado fuera de la habitación mediante

un tubo de descarga (no suministrado) instalado en la salida del vapor de la campana. Asegúrese de que el tubo de descarga esté correctamente instalado en la salida del aire, utilizando un sistema de conexión adecuado.



Versión con recirculación de aire (véase el símbolo en las instrucciones de instalación)

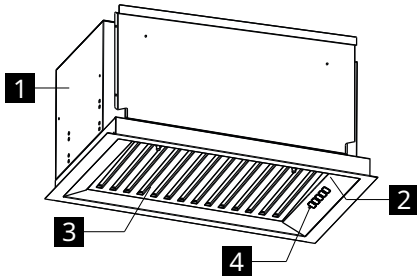
El aire es filtrado a través de uno o más filtros y luego transportado de nuevo al local.

Importante: Asegúrese de que haya una correcta circulación del aire entorno a la campana.

Importante: Si la campana no viene con filtros de carbón, estos deben pedirse y colocarse antes de utilizar el aparato. Los filtros están disponibles en el mercado.


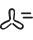



La campana debe instalarse lejos de zonas particularmente sucias, ventanas, puertas y fuentes de calor. Los accesorios para la fijación en la pared no están incluidos porque varían en función del material de la pared. Utilice sistemas de fijación adecuados a las paredes de su casa y al peso del aparato. Para informaciones más detalladas, contacte a un distribuidor especializado. Conserve estas instrucciones para futuras consultas.

Descripción del producto



- 1 Cuerpo de la campana
- 2 Iluminación
- 3 Filtro de grasa
- 4 Cuadro de mandos

Panel de mandos

<div style="display: flex; justify-content: space-around; align-items: center;"> <div style="text-align: center;">  A </div> <div style="text-align: center;">  B </div> <div style="text-align: center;">  C </div> <div style="text-align: center;">  D </div> <div style="text-align: center;">  E </div> </div>			
Tecla	Presión tecla	Función	Led
A Velocidad	Breve	Pone en funcionamiento/apaga el motor a la velocidad uno.	Encendido o Apagado
B Velocidad	Breve	Pone en funcionamiento el motor a la velocidad dos. La Tecla A debe estar seleccionada.	A + B están encendidos
C Velocidad	Breve	Pone en funcionamiento el motor a la velocidad tres. La Tecla A debe estar seleccionada.	A + C están encendidos
D Velocidad	Breve	Pone en funcionamiento el motor a la velocidad Intensiva. Esta velocidad está temporizada en 6 minutos. Al final del tiempo programado, el sistema vuelve en automático a la velocidad ajustada previamente. Cuando se activa con el motor apagado, vuelve a OFF al final del tiempo fijado. Para desactivarla, pulse el pulsador A,B o C. La Tecla A debe seleccionarse.	A Encendido D Parpadea
E Luz	Breve	Enciende y apaga el sistema de iluminación a la máxima intensidad.	Encendido o Apagado
	Larga	Aumenta o disminuye la intensidad de la iluminación.	Encendido o Apagado

Sugerencias generales

- Accione la campana a velocidad mínima cuando se comienza a cocinar y manténgala en funcionamiento por algunos minutos después del final de la cocción.
- Aumente la velocidad solo en presencia de grandes cantidades de humo y vapor y use la(s) velocidad(es) intensa(s) solo en situaciones extremas.
- Cambie el o los filtros de carbón cuando sea necesario para mantener una buena eficiencia de la reducción de los olores.
- Limpie el filtro o los filtros de grasa cuando sea necesario para mantener una buena eficiencia de absorción de las grasas.
- Use el diámetro máximo de la canalización indicado en este manual para optimizar la eficiencia y reducir al mínimo el ruido.

Limpieza y mantenimiento

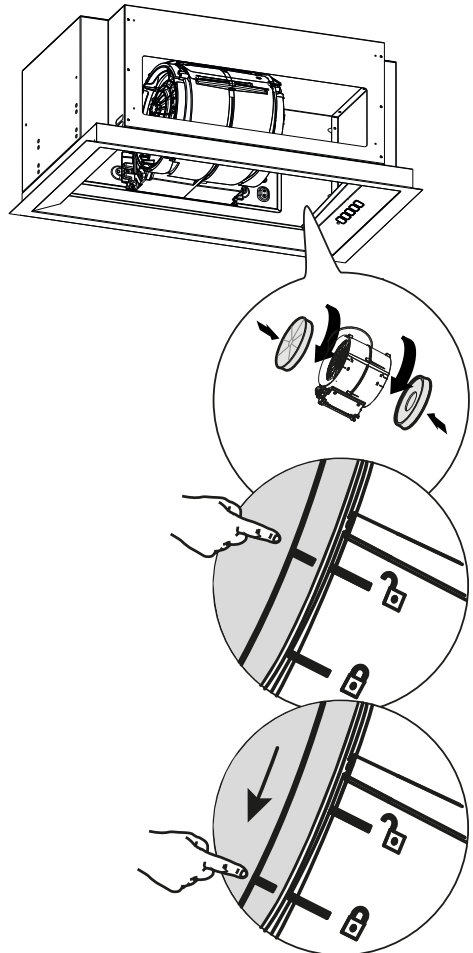


Apague o desconecte al aparato de la red de alimentación antes de cualquier operación de mantenimiento.

IMPORTANTE: Limpia la campana con un paño húmedo y un detergente líquido neutro.

Filtro de carbón de larga duración (Verde)

El filtro antiolores se puede lavar y regenerar cada 3-4 meses (o con más frecuencia en caso de uso intenso de la campana), hasta un máximo de 8 ciclos de regeneración (en caso de uso particularmente intensivo, se recomienda no exceder 5 ciclos).



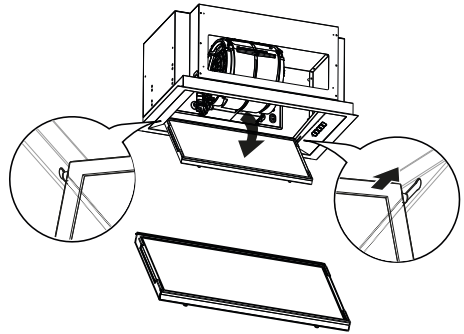
Procedimiento de regeneración

- Lávelo en el lavavajillas a una temperatura MÁXIMA de 70° o lávelo a mano en agua caliente sin utilizar esponjas abrasivas (¡no utilice detergentes!).
- Seque en el horno a una temperatura MÁXIMA de 70° durante 2 horas (se aconseja leer atentamente el manual de uso y las instrucciones de montaje del propio horno).

Filtros de grasa

Continúe limpiando o sustituyendo los filtros en los intervalos indicados para mantener la campana en buen estado de funcionamiento y evitar el riesgo potencial de incendio debido a la acumulación excesiva de grasa. Los filtros de grasa deben limpiarse cada 2 meses de funcionamiento o con mayor frecuencia en

caso de uso intensivo y pueden lavarse en un lavavajillas.



Sustitución de las lámparas

Para la sustitución contacte a un Centro de Asistencia Autorizado.

Qué hacer si...

Si hay una falla, primero intente encontrar una solución usted mismo. Si no logra resolver el problema usted mismo, póngase en contacto con un centro de asistencia autorizado.

i En caso de uso inadecuado del aparato o de instalación realizada no respetando las instrucciones de montaje, podría ser necesario pagar la visita del técnico del Centro de Asistencia Autorizado incluso durante el periodo de validez de la garantía.

PROBLEMA	POSIBLE CAUSA	SOLUCIÓN
El aparato no está estable.	El aparato no ha sido instalado correctamente.	Siga las instrucciones de instalación suministradas junto al aparato.
El aparato no está en plano.	El aparato no ha sido instalado correctamente.	Siga las instrucciones de instalación suministradas junto al aparato.
Los rendimientos en términos de captura de las grasas no son satisfactorios.	Presencia de aceite y grasa en los filtros de metal o en los filtros de carbón.	Observe la frecuencia de limpieza de los filtros como está descrito en el manual de uso.
El aparato no funciona.	El aparato no ha sido conectado correctamente.	Controle que el cable de red esté conectado al grupo motor o que el enchufe esté conectado a la toma.
La luz no funciona.	El LED está roto.	Para la sustitución contacte a un Centro de Asistencia Autorizado.
La campana es más ruidosa respecto a las expectativas del cliente.	El diámetro del orificio de ventilación en la pared es demasiado pequeño y provoca una pérdida de presión y el aumento de la velocidad del motor.	Siga las instrucciones de instalación suministradas junto al aparato.
	El producto está instalado en modalidad de recirculación.	El producto en modo de recirculación (y con filtro de carbón instalado) es más ruidoso que un producto en modo de aspiración.
	El conducto de ventilación tiene más de una curva.	Si el sistema de evacuación de humos del edificio tiene múltiples curvas o cubre una larga distancia, el producto puede ser más ruidoso.

Antes de contactar al Centro de Asistencia Autorizado:

Encienda de nuevo el aparato para ver si el problema ha desaparecido. En caso contrario, apáguelo de nuevo y repita la operación después de una hora. Si el aparato todavía no funciona correctamente después de haber

realizado los controles enumerados en la guía de solución de los problemas y encendido de nuevo el aparato, contacte al Centro de Asistencia Autorizado explicando claramente el problema y especificando:

- el tipo de daño;
- el modelo;
- el tipo y el número de serie del aparato (indicado en la placa).

Datos técnicos

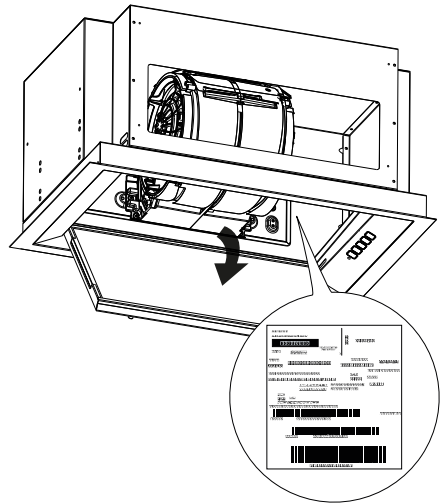
		Unidad	Valor
Tipo de producto			Campana integrada
Dimensiones	Ancho	mm	599
	Profundidad	mm	358
	Altura mín./máx.	mm	290

Capacidad de aire máx* - Descarga		m3/h	450
Nivel máx de ruido - Descarga		dBA	55
Capacidad de aire máx*- Recirculación		m3/h	250
Nivel máx de ruido* - Recirculación		dBA	66
Potencia total		W	144
Informaciones sobre la lámpara	Tipo		Barra LED
	Número y potencia		3,8 W
	Conexión		N/D
Altura mínima de instalación - placa de cocción a gas		mm	650
Altura mínima de instalación - placa de cocción eléctrica		mm	500
Peso neto		Kg	8
* Velocidad máxima (sin configuración intensa)			

Este aparato se ha diseñado, fabricado y comercializado según las Directivas de la UE



Los datos técnicos están indicados en la placa colocada en el interior del aparato.



Eficiencia Energética

Informaciones sobre el producto según el reglamento UE nº 66/2014	Unidad	Valor
Nombre del proveedor	IKEA	
Identificación del modelo	MÅNGSBO 906.091.16 106.176.10 906.176.11	
Consumo energético anual	kWh/a	26,9
Coefficiente de incremento del tiempo		0,5
Eficiencia fluidodinámica		40,5
Índice de eficiencia energética		29,9
Capacidad de aire medida en el mejor punto de eficiencia	m³/h	410
Presión del aire medida en el mejor punto de eficiencia	Pa	469
Capacidad máxima de aire	m³/h	450
Alimentación eléctrica medida en el mejor punto de eficiencia	W	132
Potencia nominal del sistema de iluminación	W	3,8
Iluminación media del sistema de iluminación sobre la placa de cocción	Lux	275
Consumo de corriente medido en modo standby	W	0,49
Consumo de corriente medido en modo off	W	0,0
Nivel sonoro a velocidad máxima (sin configuración intensa)	dba	66

Normas de referencia:

EN/IEC 61591
EN/IEC 60704-1
EN/IEC 60704-2-13
EN/IEC 60704-3
EN 50564


Ahorro de energía

El aparato incluye características que ayudan a ahorrar energía durante la cocción de todos los días.

Aspectos Ambientales

Eliminación de electrodomésticos




El símbolo  en el producto o en su embalaje indica que este producto no debe desecharse junto a los residuos domésticos normales. El producto se debe desechar en un punto de recogida especializado en el reciclaje de componentes eléctricos y electrónicos. Al asegurarse de que este producto se deseché correctamente, ayudará a evitar las posibles consecuencias negativas para el medioambiente y la salud que podrían derivarse de su eliminación inadecuada. Para obtener información más detallada sobre

cómo reciclar este producto, póngase en contacto con el ayuntamiento, el servicio local de eliminación de residuos o la tienda donde compró el producto.

El aparato es conforme a la Directiva 2012/19/UE sobre la reducción de sustancias peligrosas utilizadas en los aparatos eléctricos y electrónicos y la eliminación de residuos.

Eliminación de los materiales de embalaje

Los materiales con el símbolo  son reciclables. Elimine los materiales de embalaje en los correspondientes contenedores de reciclaje.

Garantía IKEA

¿Qué duración tiene la garantía de IKEA?

Esta garantía es válida durante cinco (5) años a partir de la fecha original de compra del aparato en IKEA. El recibo original es indispensable como prueba de compra. Una reparación realizada en garantía no extiende el periodo de garantía del aparato.

¿Quién suministra la asistencia?

La asistencia a los clientes será proporcionada por el proveedor de servicios designado por IKEA a través de su propia organización o red de socios de servicio autorizados.

¿Qué cubre la garantía?

La garantía cubre los eventuales defectos asociados a los materiales y/o a la fabricación del electrodoméstico y es válida a partir de la fecha de compra del aparato en un punto de venta IKEA. La garantía es válida solo para los electrodomésticos destinados al uso doméstico. Las excepciones se describen en el apartado "¿Qué no cubre la garantía?". Durante el periodo de validez de la garantía, los costos de reparación (piezas de recambio, mano de obra y desplazamiento del personal técnico) correrán a cargo del servicio de

asistencia, siempre y cuando el acceso al aparato para su reparación no implique gastos particulares. Estas condiciones se ajustan a las directivas de la UE (N. 99/44/CE) y a las disposiciones locales aplicables. Las piezas sustituidas pasarán a ser propiedad de IKEA.

¿Cómo intervendrá IKEA para resolver el problema?

El proveedor del servicio de asistencia designado por IKEA examinará el producto y decidirá, a su entera discreción, si el producto está cubierto por la garantía. En caso afirmativo, el proveedor del servicio de asistencia de IKEA o su socio de servicio autorizado, a través de sus centros de servicio, reparará, a su entera discreción, el producto defectuoso o lo sustituirá por un producto del mismo o igual valor.

¿Qué no cubre la garantía?

- Desgaste normal.
- Los daños causados deliberadamente o por negligencia, los daños causados por el incumplimiento de las instrucciones de funcionamiento, por una instalación incorrecta o por la conexión a una tensión inco-

recta, los daños causados por reacciones químicas o electroquímicas, el óxido, la corrosión o los daños causados por el agua, incluidos, entre otros, los daños causados por un exceso de cal en las tuberías de agua, y los daños causados por el clima y los fenómenos naturales.

- Piezas de desgaste como baterías y bombillas.
- Piezas decorativas y no funcionales que no afectan al uso normal del electrodoméstico, incluyendo arañazos y cambios de color.
- Daños accidentales causados por sustancias o cuerpos extraños y limpieza o liberación de los filtros, sistemas de drenaje o cajones de detergente.
- Los daños en piezas como la vitrocerámica, accesorios, cestas para vajillas y cubiertos, tubos de alimentación y descarga, juntas, bombillas y sus tapas, pantallas, pomos, revestimientos y partes de revestimientos, a menos que se demuestre que dichos daños han sido causados por defectos de fabricación.
- Casos en los que no se detecten defectos durante la visita de un técnico.
- Las reparaciones no realizadas por el proveedor de servicios designado por IKEA o por un socio de servicios autorizado o las reparaciones en las que se hayan utilizado piezas no originales.
- Reparaciones causadas por una instalación incorrecta o no conforme con las especificaciones.
- Uso del electrodoméstico en un ambiente no doméstico, por ejemplo, para uso profesional.
- Daños en el transporte. Si el cliente transporta la mercancía a su propio domicilio o a otra dirección, IKEA no se hace responsable de los daños que se produzcan durante el transporte. Sin embargo, si el transporte hasta el domicilio del cliente es realizado por IKEA, cualquier daño debido al transporte estará cubierto por esta garantía.
- Costo de instalación inicial del aparato IKEA. Sin embargo, si un proveedor de servicios designado por IKEA o su socio de servicios autorizado lleva a cabo una repara-

ción o sustitución del equipo dentro del ámbito de la garantía, el proveedor de servicios o el socio de servicios autorizado también se encargará de la reinstalación del equipo reparado o de la instalación del equipo de sustitución cuando sea necesario.

Estas limitaciones no se aplican a los trabajos realizados de forma profesional por personal cualificado y con el uso de piezas originales para adaptar el equipo a las normas de seguridad de otro país de la UE.

Aplicabilidad de las leyes nacionales

La garantía de IKEA da al cliente derechos legales específicos, además de los derechos previstos por la ley que varían de un país a otro. Sin embargo, estas condiciones no limitan en modo alguno los derechos del consumidor descritos en la legislación local.

Área de validez

Para los electrodomésticos adquiridos en un país de la UE y trasladados a otro país de la UE, los servicios se prestarán de acuerdo con las condiciones de garantía aplicables en el nuevo país. La obligación de prestar servicio de acuerdo con los términos de la garantía solo existe si el aparato cumple y se instala de acuerdo con los términos de la garantía:

- especificaciones técnicas del país en el que se exige la aplicación de la garantía;
- información de seguridad contenidas en el Manual del Usuario.

Servicio de Asistencia post-venta dedicado a los electrodomésticos IKEA:

No dude en contactar al Servicio de Asistencia post-venta de IKEA para:

1. solicitar asistencia usando la garantía;
2. solicitar aclaratorias sobre la instalación de los electrodomésticos IKEA en muebles de cocina específicos de IKEA. El servicio no suministrará asistencia ni aclaratorias sobre:
 - instalación de cocinas completas IKEA;
 - conexiones eléctricas (si el aparato se suministra sin cables ni enchufes), las conexiones hidráulicas y las conexiones al sistema

de gas, que deben ser realizadas por un técnico autorizado.

3. solicitar aclaratorias sobre el contenido del manual de usuario y sobre las especificaciones del electrodoméstico IKEA.

Para garantizar la mejor asistencia posible, por favor lea atentamente las instrucciones de montaje y/o el Manual de uso antes de contactarnos.

Cómo contactarnos si necesita nuestra intervención



Consulte la lista completa de proveedores de servicios de IKEA y sus números de teléfono nacionales en la última página de este manual.

¡Importante! Para garantizar un servicio más rápido, recomendamos utilizar los números de teléfono que aparecen al final de este manual. Cuando solicite asistencia, consulte siempre los códigos específicos del aparato que encuentra en este manual. Antes de contactarnos, asegúrese de tener a mano el código de producto IKEA (8 dígitos) relativo al electrodoméstico para el que solicita la asistencia.

¡Importante! ¡CONSERVE LA FACTURA!

Es su prueba de compra y debe mostrarla para poder disfrutar la garantía. El recibo también muestra el nombre y el código (de 8 dígitos) de cada electrodoméstico IKEA que ha comprado.

¿Necesita más ayuda?

Si tiene alguna otra pregunta no relacionada con el servicio de asistencia de los equipos, contacte el punto de venta IKEA más cercano. Por favor lea atentamente la documentación del equipo antes de contactarnos.

Περιεχόμενα

Πληροφορίες για την ασφάλεια	156	Τι να κάνω αν...	163
Γενικές πληροφορίες	160	Τεχνικά στοιχεία	164
Περιγραφή του προϊόντος	161	Ενεργειακή Απόδοση	166
Πίνακας ελέγχου	161	Περιβαλλοντικά Ζητήματα	167
Γενικές συστάσεις	162	Εγγύηση ΙΚΕΑ	167
Καθαρισμός και συντήρηση	162		

Πληροφορίες για την ασφάλεια

ⓘ Για την ασφάλειά σας και για τη σωστή λειτουργία της συσκευής, διαβάστε προσεκτικά το εγχειρίδιο αυτό πριν την εγκατάσταση και τη λειτουργία. Να φυλάσσετε πάντα αυτές τις οδηγίες μαζί με τη συσκευή, ακόμη και σε περίπτωση παραχώρησης ή μεταφοράς σε τρίτους. Είναι σημαντικό οι χρήστες να γνωρίζουν όλα τα χαρακτηριστικά λειτουργίας και ασφάλειας της συσκευής.

⚠ Η σύνδεση των καλωδίων πρέπει να εκτελείται από εξειδικευμένο τεχνικό.

- Ο κατασκευαστής δεν μπορεί να θεωρηθεί υπεύθυνος για τυχόν ζημιές λόγω μη σωστής εγκατάστασης ή χρήσης.
- Η ελάχιστη απόσταση ασφαλείας μεταξύ της επιφάνειας εστιών και του απορροφητήρα είναι 500 mm για τους απορροφητήρες ηλεκτρικών κουζινών και 650 mm για τους απορροφητήρες κουζινών αερίου.
- Εάν οι οδηγίες εγκατάστασης της μονάδας των εστιών αερίου ορίζουν μεγαλύτερη απόσταση από αυτή που αναφέρεται παραπάνω, τότε θα πρέπει να λαμβάνεται υπόψη.
- Ελέγξτε ότι η τάση του δικτύου αντιστοιχεί σε εκείνη που ανα-

γράφεται επάνω στην πινακίδα στοιχείων που υπάρχει στο εσωτερικό του απορροφητήρα.

- Οι διατάξεις αποσύνδεσης πρέπει να τοποθετούνται στη μόνη εγκατάσταση σύμφωνα με τη νομοθεσία για τις εγκαταστάσεις καλωδίωσης.
- Για τις συσκευές Κατηγορίας I, ελέγξτε ότι το οικιακό δίκτυο τροφοδοσίας διαθέτει κατάλληλη σύνδεση γείωσης.
- Συνδέστε τον απορροφητήρα στην καπνοδόχο μέσω ενός σωλήνα ελάχιστης διαμέτρου 150 mm. Η διαδρομή του καπνού πρέπει να είναι όσο το δυνατό συντομότερη.
- Πρέπει να τηρούνται όλοι οι κανονισμοί που αφορούν την αποβολή του αέρα.
- Μη συνδέετε τον απορροφητήρα σε αγωγούς που μεταφέρουν απαέρια καύσης (π.χ. από λέβητες, τζάκια, κτλ.).
- Εάν ο απορροφητήρας χρησιμοποιείται σε συνδυασμό με μη ηλεκτρικές συσκευές (π.χ. συσκευές αερίου), θα πρέπει να εξασφαλίζεται επαρκής αερισμός στον χώρο ώστε να αποτρέπεται η επιστροφή της ροής των απαερίων. Όταν ο απορροφητήρας κουζίνας χρησιμοποιείται σε συνδυασμό με συσκευές που δεν τροφοδοτούνται με ηλεκτρικό ρεύμα, η αρνητική πίεση στον χώρο δεν πρέπει να ξεπερνά τα 4 Pa ώστε οι καπνοί να αποφεύγεται να διοχετεύονται εκ νέου στον χώρο από τον απορροφητήρα.
- Ο αέρας δεν πρέπει να εκκενώνεται μέσω αγωγού που χρησιμοποιείται για την αποβολή των απαερίων συσκευών καύσης που τροφοδοτούνται με αέριο ή άλλες καύσιμες ύλες.
- Το ηλεκτρικό καλώδιο, αν πάθει ζημιά, πρέπει να αντικατασταθεί από τον κατασκευαστή ή από έναν τεχνικό του σέρβις.
- Συνδέετε το φις σε μια πρίζα που συμμορφώνεται με τους ισχύοντες κανονισμούς και σε σημείο με εύκολη πρόσβαση.
- Όσον αφορά τα τεχνικά μέτρα και μέτρα ασφαλείας που πρέπει να λαμβάνονται για την εκκένωση των απαερίων είναι ση-


μαντικό να τηρούνται αυστηρά οι κανονισμοί που ορίζονται από τις τοπικές αρχές.

⚠️ ΠΡΟΕΙΔΟΠΟΙΗΣΗ: προτού εγκαταστήσετε τον απορροφητήρα, αφαιρέστε τις προστατευτικές μεμβράνες.

- Χρησιμοποιείτε αποκλειστικά βίδες και εξαρτήματα που είναι κατάλληλα για τον απορροφητήρα.

⚠️ ΠΡΟΕΙΔΟΠΟΙΗΣΗ: η μη τοποθέτηση των βιδών ή των διατάξεων στερέωσης σύμφωνα με τις παρούσες οδηγίες μπορεί να συνεπάγεται τον κίνδυνο ηλεκτροπληξίας.

- Συνδέστε τον απορροφητήρα στο ρεύμα ηλεκτρικής τροφοδοσίας μέσω ενός διπολικού διακόπτη με απόσταση μεταξύ των επαφών τουλάχιστον 3 mm.
- Μην κοιτάζετε απευθείας με οπτικά όργανα (κιάλια, μεγεθυντικός φακός...).
- Μη μαγειρεύετε με τη μέθοδο φλαμπέ κάτω από τον απορροφητήρα: μπορεί να προκληθεί πυρκαγιά.
- Αυτή η συσκευή μπορεί να χρησιμοποιηθεί από παιδιά ηλικίας άνω των 8 ετών και από άτομα με μειωμένες ψυχικές ή διανοητικές ικανότητες, ή από άτομα χωρίς πείρα και επαρκή γνώση, αρκεί να επιβλέπονται και εκπαιδεύονται στην ασφαλή χρήση της συσκευής και στους κινδύνους που απορρέουν από αυτή. Βεβαιωθείτε ότι τα παιδιά δεν παίζουν με τη συσκευή. Ο καθαρισμός και η συντήρηση δεν πρέπει να εκτελούνται από παιδιά, εκτός εάν επιβλέπονται.
- Τα παιδιά πρέπει να επιβλέπονται ώστε να εξασφαλιστεί ότι δεν παίζουν με τη συσκευή.
- Η συσκευή δεν πρέπει να χρησιμοποιείται από άτομα (συμπεριλαμβανομένων των παιδιών) με μειωμένες ψυχοσωματικές και αισθητηριακές ικανότητες ή με ανεπαρκή εμπειρία και γνώσεις, εκτός κι αν επιβλέπονται προσεκτικά ή έχουν λάβει σχετική εκπαίδευση.

 Τα προσβάσιμα μέρη ενδέχεται να αναπτύξουν πολύ υψηλή θερμοκρασία κατά τη διάρκεια της χρήσης των συσκευών μαγειρέματος

- Καθαρίστε ή/και αντικαταστήστε τα φίλτρα μετά από το χρονικό διάστημα που ορίζεται (κίνδυνος πυρκαγιάς).
- Ο χώρος θα πρέπει να αερίζεται επαρκώς όταν ο απορροφητήρας χρησιμοποιείται ταυτόχρονα με συσκευές που χρησιμοποιούν αέριο ή άλλες καύσιμες ύλες (δεν ισχύει για συσκευές που εκκενώνουν μόνο τον αέρα στον χώρο).
- Οι απορροφητήρες κουζίνας και τα άλλα συστήματα απαγωγής καπναερίων μαγειρέματος μπορεί να επηρεάσουν την ασφαλή λειτουργία των συσκευών που καταναλώνουν αέριο ή άλλα καύσιμα (συμπεριλαμβανομένων εκείνων που βρίσκονται σε άλλους χώρους), λόγω της αντίστροφης ροής των καυσαερίων. Τα αέρια αυτά μπορεί να προκαλέσουν δηλητηρίαση από μονοξείδιο του άνθρακα. Μετά την εγκατάσταση ενός απορροφητήρα κουζίνας ή οποιουδήποτε άλλου συστήματος απαγωγής καπναερίων μαγειρέματος, βεβαιωθείτε ότι οι συσκευές αερίου ελέγχονται από κάποιο αρμόδιο άτομο ώστε να διασφαλίζεται η μη αντίστροφη ροή των καυσαερίων.

Γενικές πληροφορίες

Χρήση

- Σβήστε ή αποσυνδέστε τη συσκευή από το ηλεκτρικό ρεύμα πριν από οποιαδήποτε εργασία καθαρισμού ή συντήρησης.
- Ο απορροφητήρας δεν πρέπει να χρησιμοποιείται ως επιφάνεια στήριξης αντικειμένων.
- Ο απορροφητήρας έχει σχεδιαστεί αποκλειστικά για την απομάκρυνση των οσμών κατά το μαγείρεμα στο σπίτι.
- Μη χρησιμοποιείτε σε καμία περίπτωση τον απορροφητήρα για σκοπούς διαφορετικούς από εκείνους για τους οποίους έχει σχεδιαστεί.
- Μην αφήνετε ποτέ φλόγες με μεγάλο ύψος κάτω από τον απορροφητήρα όταν είναι σε λειτουργία.
- Ρυθμίστε την ένταση της φλόγας έτσι ώστε αυτή να περιορίζεται αποκλειστικά στον πάτο του σκεύους μαγειρέματος και να μην επεκτείνεται στα πλαϊνά μέρη.
- Οι φριτζέζες πρέπει να επιβλέπονται συνεχώς κατά τη διάρκεια της χρήσης: το λάδι εάν υπερθερμανθεί μπορεί να αρπάξει φωτιά.

Τρόπος εγκατάστασης

Ο απορροφητήρας έχει σχεδιαστεί για εγκατάσταση και χρήση σε «έκδοση απορρόφησης» ή σε «έκδοση ανακυκλοφορίας αέρα».



Έκδοση απορρόφησης (δείτε το σύμβολο στις οδηγίες εγκατάστασης)

Ο ατμός μαγειρέματος απορροφάται και μεταφέρεται έξω από τον χώρο μέσω

αεραγωγού (δεν περιλαμβάνεται στον εξοπλισμό) ο οποίος είναι εγκατεστημένος στην έξοδο του ατμού του απορροφητήρα. Βεβαιωθείτε ότι ο αεραγωγός είναι σωστά εγκατεστημένος στην έξοδο του αέρα, χρησιμοποιώντας κατάλληλο σύστημα σύνδεσης.



Έκδοση ανακυκλοφορίας αέρα (δείτε το σύμβολο στις οδηγίες εγκατάστασης)

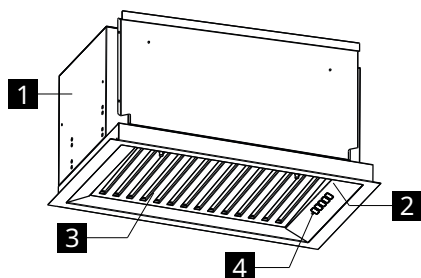
Ο αέρας φιλτράρεται μέσω ενός ή περισσότερων φίλτρων και έπειτα διοχετεύεται ξανά στον χώρο.

Σημαντικό: Βεβαιωθείτε ότι υπάρχει σωστή κυκλοφορία του αέρα γύρω από τον απορροφητήρα.

Σημαντικό: Εάν ο απορροφητήρας δεν διαθέτει τα φίλτρα άνθρακα, θα πρέπει να τα παραγγείλετε και να τα τοποθετήσετε προτού χρησιμοποιήσετε τη συσκευή. Τα φίλτρα αυτά είναι διαθέσιμα στο εμπόριο.


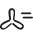



Η εγκατάσταση του απορροφητήρα πρέπει να γίνεται μακριά από ιδιαίτερα βρώμικους χώρους, από παράθυρα, πόρτες και πηγές θερμότητας. Τα εξαρτήματα για τη στερέωση στον τοίχο δεν περιλαμβάνονται διότι διαφέρουν ανάλογα με το υλικό του τοίχου. Χρησιμοποιήστε συστήματα στερέωσης που είναι κατάλληλα για τους τοίχους του σπιτιού σας και για το βάρος της συσκευής. Για περισσότερες πληροφορίες, επικοινωνήστε με κάποιο εξειδικευμένο κατάστημα. Φυλάξτε τις παρούσες οδηγίες για μελλοντική αναφορά.

Περιγραφή του προϊόντος



- 1 Σώμα απορροφητήρα
- 2 Φωτισμός
- 3 Φίλτρο για λίπη
- 4 Πίνακας ελέγχου

Πίνακας ελέγχου

					
	A	B	C	D	E
Πλήκτρο	Πάτημα πλήκτρου	Λειτουργία			Led
A Ταχύτητα	Σύντομο	Ανάβει/σβήνει το μοτέρ στην πρώτη ταχύτητα.			Αναμμένο ή σβησμένο
B Ταχύτητα	Σύντομο	Θέτει σε λειτουργία τον κινητήρα στην ταχύτητα δύο. Το Πλήκτρο A πρέπει να είναι επιλεγμένο.			Τα A + B είναι αναμμένα
C Ταχύτητα	Σύντομο	Θέτει σε λειτουργία τον κινητήρα στην ταχύτητα τρία. Το Πλήκτρο A πρέπει να είναι επιλεγμένο.			Τα A + C είναι αναμμένα
D Ταχύτητα	Σύντομο	Ανάβει το μοτέρ στην έντονη ταχύτητα. Η ταχύτητα αυτή έχει χρονική ρύθμιση 6 λεπτών. Μετά την πάροδο του επιλεγμένου χρόνου, το σύστημα επανέρχεται αυτόματα στην προηγούμενη επιλεγμένη ταχύτητα. Εάν είχε ενεργοποιηθεί με σβηστό μοτέρ, επιστρέφει στο OFF μετά την πάροδο του επιλεγμένου χρόνου. Για να την απενεργοποιήσετε, πατήστε το κουμπί A,B ή C. Το Πλήκτρο A πρέπει να είναι επιλεγμένο.			A Αναμμένο D Αναβσοβήνει
E Φως	Σύντομο	Ανάβει και σβήνει το σύστημα φωτισμού με τη μέγιστη ένταση.			Αναμμένο ή σβησμένο
	Παρατεταμένο	Αυξάνει ή μειώνει την ένταση του φωτισμού.			Αναμμένο ή σβησμένο

Γενικές συστάσεις

- Ενεργοποιήστε τον απορροφητήρα στην ελάχιστη ταχύτητα όταν ξεκινάτε να μαγειρεύετε και διατηρήστε τον σε λειτουργία για μερικά λεπτά μετά την ολοκλήρωση του μαγειρέματος.
- Αυξήστε την ταχύτητα μόνο όταν υπάρχει μεγάλη ποσότητα καπνού και ατμού και χρησιμοποιήστε την εντατική ταχύτητα (ή τις εντατικές ταχύτητες) μόνο σε εξαιρετικές περιπτώσεις.
- Αντικαταστήστε το φίλτρο ή τα φίλτρα άνθρακα όταν είναι απαραίτητο ώστε να διατηρείται η καλή απόδοση κατά την απομάκρυνση των οσμών.
- Καθαρίστε το φίλτρο ή τα φίλτρα λίπους όταν είναι απαραίτητο ώστε να διατηρείται η καλή απόδοση κατά την απορρόφηση του λίπους.
- Χρησιμοποιήστε τη μέγιστη διάμετρο του αγωγού μεταφοράς που υποδεικνύεται στο παρόν εγχειρίδιο για βελτιστοποίηση της απόδοσης και μείωση του θορύβου στο ελάχιστο.

Καθαρισμός και συντήρηση

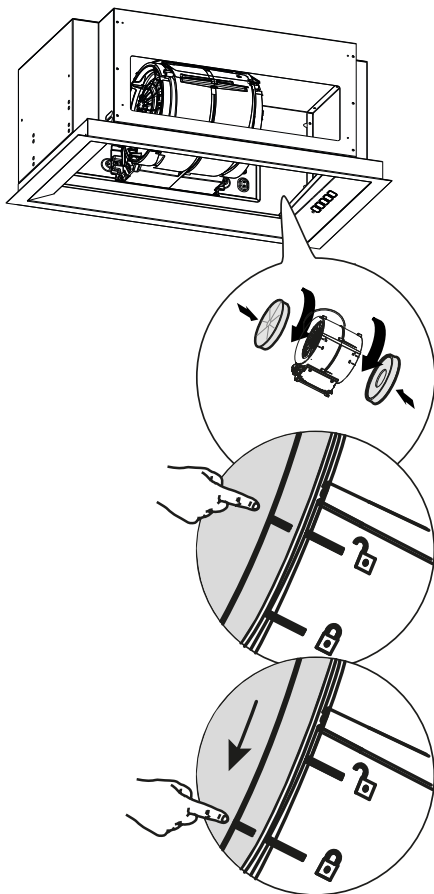


Σβήστε ή αποσυνδέστε τη συσκευή από το δίκτυο τροφοδοσίας πριν από οποιαδήποτε εργασία συντήρησης.

ΣΗΜΑΝΤΙΚΟ: Καθαρίστε τον απορροφητήρα χρησιμοποιώντας ένα βρεγμένο πανί και ένα ουδέτερο υγρό απορρυπαντικό.

Φίλτρο άνθρακα μακράς διάρκειας (Πράσινο)

Το φίλτρο οσμών μπορεί να πλένεται και να αναγεννάται κάθε 3-4 μήνες (ή συχνότερα αν ο απορροφητήρας υποβάλλεται σε εντατική χρήση), έως 8 κύκλους αναγέννησης το ανώτερο (σε περίπτωση ιδιαίτερα έντονης χρήσης συνιστάται να μην υπερβαίνουν οι 5 κύκλοι).



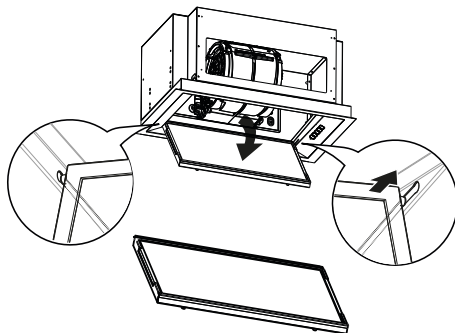
Διαδικασία αναγέννησης

- Πλύνετε στο πλυντήριο πιάτων σε μέγ. θερμοκρασία 70° ή στο χέρι με ζεστό νερό χωρίς να χρησιμοποιήσετε συρμάτινα σφουγγαράκια (μη χρησιμοποιείτε απορρυπαντικά!).
- Στεγνώστε στο φούρνο σε μέγ. θερμοκρασία 70° για 2 ώρες (διαβάστε με προσοχή το εγχειρίδιο χρήσης και τις οδηγίες εγκατάστασης του φούρνου σας).

Φίλτρο λίπους

Συνεχίστε να καθαρίζετε ή να αντικαθιστάτε τα φίλτρα βάσει της συχνότητας που υποδεικνύεται προκειμένου ο απορροφητήρας να διατηρείται σε καλή κατάσταση λειτουργίας και να αποφεύγεται η πιθανότητα κινδύνου φωτιάς εξαιτίας της υπερβολικής συσσώρευσης λίπους. Τα φίλτρα λίπους πρέπει να καθαρίζονται κάθε

2 μήνες λειτουργίας, ή συχνότερα σε περίπτωση πολύ έντονης χρήσης, και μπορούν να πλένονται σε πλυντήριο πιάτων.



Αντικατάσταση λαμπτήρων

Για την αντικατάστασή του επικοινωνήστε με ένα Εξουσιοδοτημένο Κέντρο Υποστήριξης.

Τι να κάνω αν...

Σε περίπτωση προβλήματος, προσπαθήστε αρχικά να βρείτε μόνοι σας τη λύση. Εάν δεν καταφέρετε να λύσετε το πρόβλημα μόνοι σας, απευθυνθείτε σε ένα εξουσιοδοτημένο κέντρο υποστήριξης.

i Σε περίπτωση μη σωστής χρήσης της συσκευής ή εγκατάστασης που

πραγματοποιήθηκε δίχως να έχουν τηρηθεί οι οδηγίες συναρμολόγησης, ενδέχεται να πρέπει να χρεωθείτε την επίσκεψη του τεχνικού του Εξουσιοδοτημένου Κέντρου Υποστήριξης ακόμη και κατά τη διάρκεια της περιόδου ισχύος της εγγύησης.

ΠΡΟΒΛΗΜΑ	ΠΙΘΑΝΗ ΑΙΤΙΑ	ΛΥΣΗ
Η συσκευή δεν είναι σταθερή.	Η συσκευή δεν έχει εγκατασταθεί σωστά.	Ακολουθήστε τις οδηγίες εγκατάστασης που παρέχονται μαζί με τη συσκευή.
Η συσκευή δεν έχει τοποθετηθεί ίσια.	Η συσκευή δεν έχει εγκατασταθεί σωστά.	Ακολουθήστε τις οδηγίες εγκατάστασης που παρέχονται μαζί με τη συσκευή.
Οι επιδόσεις όσον αφορά τη συγκράτηση του λίπους δεν είναι ικανοποιητικές.	Παρουσία λαδιού και λίπους στα μεταλλικά φίλτρα ή στα φίλτρα άνθρακα.	Τηρείτε τη συχνότητα καθαρισμού των φίλτρων σύμφωνα με την περιγραφή στο εγχειρίδιο χρήσης.
Η συσκευή δεν λειτουργεί.	Η συσκευή δεν έχει συνδεθεί σωστά.	Επαληθεύστε ότι το καλώδιο του δικτύου είναι συνδεδεμένο στη μονάδα του μοτέρ ή ότι το φις είναι συνδεδεμένο στην πρίζα.
Το φως δεν λειτουργεί.	Το LED έχει υποστεί ζημιά.	Για την αντικατάστασή του επικοινωνήστε με ένα Εξουσιοδοτημένο Κέντρο Υποστήριξης.

Ο απορροφητήρας κάνει περισσότερο θόρυβο σε σχέση με τις προσδοκίες του πελάτη.	Η διάμετρος του αεραγωγού στον τόιχο είναι υπερβολικά μικρή και προκαλεί απώλεια πίεσης και αύξηση της ταχύτητας του μοτέρ.	Ακολουθήστε τις οδηγίες εγκατάστασης που παρέχονται μαζί με τη συσκευή.
	Το προϊόν είναι εγκατεστημένο με λειτουργία ανακυκλοφορίας.	Το προϊόν με λειτουργία ανακυκλοφορίας (και με τοποθετημένο το φίλτρο άνθρακα) κάνει περισσότερο θόρυβο από ένα προϊόν με λειτουργία απορρόφησης.
	Ο αγωγός εξαερισμού έχει περισσότερες από μία καμπύλες.	Εάν το σύστημα εξαγωγής καπνού του κτιρίου έχει πολλαπλές καμπύλες ή καλύπτει μεγάλη απόσταση, το προϊόν ενδέχεται να κάνει περισσότερο θόρυβο.

Προτού επικοινωνήσετε με το Εξουσιοδοτημένο Κέντρο Υποστήριξης:

Επανενεργοποιήστε τη συσκευή για να δείτε εάν το πρόβλημα εξαφανίστηκε. Σε αντίθετη περίπτωση, σβήστε το ξανά και επαναλάβετε την ενέργεια μετά από μία ώρα. Εάν η συσκευή εξακολουθεί να μη λειτουργεί σωστά αφού εκτελέσετε τους ελέγχους που

αναφέρονται στον οδηγό επίλυσης προβλημάτων και επανενεργοποιήσετε τη συσκευή, επικοινωνήστε με το Εξουσιοδοτημένο Κέντρο Υποστήριξης εξηγώντας με σαφήνεια το πρόβλημα και αναφέροντας:

- το είδος της βλάβης,
- το μοντέλο,
- τον τύπο και τον σειριακό αριθμό της συσκευής (αναφέρεται στην πινακίδα).

Τεχνικά στοιχεία

		Μονάδα	Τιμή
Τύπος προϊόντος			Ενσωματωμένος απορροφητήρας
Διαστάσεις	Πλάτος	mm	599
	Βάθος	mm	358
	Ελάχ./Μέγ. ύψος	mm	290
Μέγ.* παροχή αέρα - Εκκένωση		m ³ /h	450
Μέγ. επίπεδο θορύβου - Εκκένωση		dBA	55
Μέγ. παροχή αέρα* - Ανακυκλοφορία		m ³ /h	250
Μέγ. επίπεδο θορύβου* - Ανακυκλοφορία		dBA	66
Συνολική ισχύς		W	144
Πληροφορίες σχετικά με τον λαμπτήρα	Τύπος		Ράβδος LED
	Αριθμός και ισχύς		3,8 W
	Βάση σύνδεσης		M/D
Ελάχιστο ύψος εγκατάστασης - επιφάνεια εστιών αερίου		mm	650
Ελάχιστο ύψος εγκατάστασης - επιφάνεια ηλεκτρικών εστιών		mm	500
Καθαρό βάρος		Kg	8
* Μέγιστη ταχύτητα (χωρίς εντατική ρύθμιση)			

Ενεργειακή Απόδοση

Πληροφορίες για το προϊόν σύμφωνα με τον κανονισμό ΕΕ αρ. 66/2014	Μονάδα	Τιμή
Όνομα προμηθευτή	IKEA	
Κωδικός του μοντέλου	MÅNGSBO 906.091.16 106.176.10 906.176.11	
Ετήσια Απόδοση Κατανάλωσης	kWh/a	26,9
Συντελεστής αύξησης του χρόνου		0,5
Ρευστοδυναμική απόδοση		40,5
Δείκτης ενεργειακής απόδοσης		29,9
Παροχή αέρα μετρούμενη στο σημείο καλύτερης απόδοσης	m ³ /h	410
Πίεση αέρα μετρημένη στο σημείο καλύτερης απόδοσης	Pa	469
Μέγιστη παροχή αέρα	m ³ /h	450
Ηλεκτρική τροφοδοσία μετρημένη στο σημείο καλύτερης απόδοσης	W	132
Ονομαστική ισχύς του συστήματος φωτισμού	W	3,8
Μέσος φωτισμός του συστήματος φωτισμού στην επιφάνεια εστιών	Lux	275
Κατανάλωση ρεύματος μετρούμενη σε κατάσταση λειτουργίας standby	W	0,49
Κατανάλωση ρεύματος μετρούμενη σε κατάσταση λειτουργίας off	W	0,0
Ηχητική στάθμη σε μέγιστη ταχύτητα (χωρίς ρύθμιση εντατικής ταχύτητας)	dB(A)	66

Πρότυπα αναφοράς:

EN/IEC 61591
EN/IEC 60704-1
EN/IEC 60704-2-13
EN/IEC 60704-3
EN 50564


Εξοικονόμηση ενέργειας

Η συσκευή περιλαμβάνει χαρακτηριστικά που συμβάλλουν στην εξοικονόμηση ενέργειας κατά τη διάρκεια του καθημερινού μαγειρέματος.

Περιβαλλοντικά Ζητήματα

Απόρριψη ηλεκτρικών οικιακών συσκευών




Το σύμβολο  πάνω στο προϊόν ή πάνω στη συσκευασία υποδεικνύει ότι το προϊόν δεν πρέπει να απορρίπτεται μαζί με τα κοινά οικιακά απορρίμματα. Το προϊόν προς διάθεση πρέπει να παραδίδεται σε ένα εξειδικευμένο κέντρο ανακύκλωσης των ηλεκτρικών και ηλεκτρονικών συσκευών. Φροντίζοντας για τη σωστή διάθεση αυτού του προϊόντος, συμβάλλετε στην αποφυγή πιθανών αρνητικών επιπτώσεων για το περιβάλλον και την υγεία, που μπορεί να οφείλονται σε ακατάλληλη διάθεση. Για λεπτομερέστερες πληροφορίες σχετικά με

την ανακύκλωση αυτού του προϊόντος, απευθυνθείτε στο Δήμο, στην τοπική υπηρεσία συλλογής απορριμμάτων ή στο κατάστημα από το οποίο αγοράσατε το προϊόν.

Η συσκευή συμμορφώνεται με την οδηγία 2012/19/ΕΕ σχετικά με τη μείωση των επικίνδυνων ουσιών που χρησιμοποιούνται στον ηλεκτρικό και ηλεκτρονικό εξοπλισμό και τη διάθεση των αποβλήτων.

Διάθεση των υλικών των συσκευασιών

Τα υλικά με το σύμβολο  είναι ανακυκλώσιμα. Τα υλικά συσκευασίας πρέπει να διατίθεται στους ειδικούς κάδους ανακύκλωσης.

Εγγύηση IKEA

Για πόσο χρόνο ισχύει η εγγύηση IKEA;

Η παρούσα εγγύηση ισχύει για πέντε (5) χρόνια από την αρχική ημερομηνία αγοράς της συσκευής από το κατάστημα IKEA. Η ταμειακή απόδειξη είναι απαραίτητη ως απόδειξη αγοράς. Τυχόν επισκευή εντός της εγγύησης δεν συνεπάγεται επέκταση της περιόδου ισχύος της εγγύησης για τη συσκευή.

Ποιος παρέχει την τεχνική υποστήριξη;

Η τεχνική υποστήριξη των πελατών παρέχεται από τον πάροχο υπηρεσιών που ορίζει η IKEA μέσω της οργάνωσης της ή του δικτύου εξουσιοδοτημένων εταιρών υποστήριξης.

Τι καλύπτει η εγγύηση;

Η εγγύηση καλύπτει πιθανά ελαττώματα στα υλικά ή την κατασκευή της οικιακής συσκευής και αρχίζει να ισχύει από την ημερομηνία αγοράς της οικιακής συσκευής από κάποιο κατάστημα IKEA. Η εγγύηση ισχύει μόνο για τις ηλεκτρικές συσκευές που προορίζονται για οικιακή χρήση. Οι εξαιρέσεις περιγράφονται στην παράγραφο

“Τι δεν καλύπτει η εγγύηση;”. Κατά τη διάρκεια της περιόδου ισχύος της εγγύησης, το κόστος επισκευής (ανταλλακτικά, εργασία και μετακίνηση του τεχνικού προσωπικού) καταβάλλονται από την υπηρεσία τεχνικής υποστήριξης, με την προϋπόθεση ότι η πρόσβαση στη συσκευή για την παρέμβαση επισκευής δεν συνεπάγεται ιδιαίτερες δαπάνες. Αυτοί οι όροι συμμορφώνονται με τις οδηγίες ΕΕ (αρ. 99/44/ΕΚ) και με τα ισχύοντα τοπικά πρότυπα και διατάξεις. Τα εξαρτήματα που αντικαθίστανται παραμένουν στην ιδιοκτησία της IKEA.

Πώς επεμβαίνει η IKEA για την επίλυση του προβλήματος;

Ο πάροχος τεχνικής υποστήριξης που είναι εξουσιοδοτημένος από την IKEA, θα εξετάσει το προϊόν και θα αποφασίσει, κατά τη διακριτική του ευχέρεια, εάν αυτό εμπίπτει στην κάλυψη της εγγύησης. Σε περίπτωση που το αποτέλεσμα είναι θετικό, ο πάροχος της τεχνικής υποστήριξης IKEA ή ο εξουσιοδοτημένος τεχνικός συνεργάτης του, μέσω των δικών του κέντρων τεχνικής υποστήριξης, θα αναλάβει κατά τη

διακριτική του ευχέρεια να επισκευάσει το ελαττωματικό προϊόν ή να το αντικαταστήσει με ένα ίδιο ή ίσης αξίας προϊόν.

Τι δεν καλύπτει η εγγύηση:

- Φυσιολογική φθορά.
- Ζημιές που προκαλούνται εκ προθέσεως ή που οφείλονται σε αμέλεια, ζημιές που οφείλονται στη μη τήρηση των οδηγιών λειτουργίας, σε μη σωστή εγκατάσταση ή σε σύνδεση σε εσφαλμένη τάση, ζημιές που προκαλούνται από χημικές ή ηλεκτροχημικές αντιδράσεις, σκουριά, διάβρωση ή ζημιές που προκαλούνται από νερό, συμπεριλαμβανομένων π.χ. των ζημιών που προκαλούνται από την παρουσία υπερβολικών αλάτων στους αγωγούς ύδρευσης, καθώς και ζημιές που οφείλονται σε ατμοσφαιρικούς και φυσικούς παράγοντες.
- Εξαρτήματα που υποβάλλονται σε φθορά, για παράδειγμα μπαταρίες και λαμπτήρες.
- Διακοσμητικά και μη λειτουργικά μέρη που δεν επηρεάζουν την κανονική χρήση της οικιακής συσκευής, συμπεριλαμβανομένων των γρατζουνιών και των αποχρωματισμών.
- Ακούσιες ζημιές που οφείλονται σε ξένες ουσίες ή σώματα και σε καθαρισμό ή απελευθέρωση των φίλτρων, συστήματα εκκένωσης ή θήκες απορρυπαντικού.
- Ζημιές σε μέρη όπως αλοκεραμικές επιφάνειες, αξεσουάρ, καλάθια για πιάτα και μαχαιροπίρουνα, σωλήνες παροχής και εκκένωσης, παρεμβύσματα, λαμπτήρες και αντίστοιχα καλύμματα, οθόνες, πόμολα, επενδύσεις και μέρη επενδύσεων, εκτός και αν μπορεί να αποδειχθεί ότι οι ζημιές αυτές έχουν προκληθεί λόγω ελαττωμάτων παραγωγής.
- Περιπτώσεις κατά τις οποίες δεν εντοπίζονται ελαττώματα κατά τη διάρκεια της επίσκεψης ενός τεχνικού.
- Επισκευές που δεν έχουν εκτελεστεί από τον πάροχο τεχνικής υποστήριξης που είναι εξουσιοδοτημένος από την IKEA ή από έναν εξουσιοδοτημένο συνεργάτη τεχνικής υποστήριξης ή επισκευές κατά τις οποίες έχουν χρησιμοποιηθεί μη γνήσια ανταλλακτικά.
- Επισκευές που οφείλονται σε εγκατάσταση

η οποία δεν έχει γίνει σωστά ή σύμφωνα με τις προδιαγραφές.

- Χρήση της ηλεκτρικής συσκευής σε μη οικιακό περιβάλλον, π.χ. για επαγγελματική χρήση.
- Ζημιές που προκαλούνται κατά τη μεταφορά του προϊόντος. Σε περίπτωση μεταφοράς από τον πελάτη στην κατοικία του ή σε άλλο χώρο, η IKEA δεν μπορεί να θεωρηθεί υπεύθυνη για ενδεχόμενες βλάβες που προκλήθηκαν κατά τη μεταφορά. Ωστόσο, εάν η μεταφορά στην κατοικία του πελάτη πραγματοποιηθεί από την IKEA, οι ενδεχόμενες βλάβες από τη μεταφορά καλύπτονται από την παρούσα εγγύηση.
- Κόστος αρχικής εγκατάστασης της συσκευής IKEA. Ωστόσο, αν ένας πάροχος τεχνικής υποστήριξης εξουσιοδοτημένος από την IKEA ή ένας εξουσιοδοτημένος συντάξιμος τεχνικός υποστήριξης προβεί σε επισκευή ή αντικατάσταση της συσκευής εντός της εγγύησης, ο εξουσιοδοτημένος πάροχος ή συντάξιμος τεχνικός υποστήριξης θα πρέπει επίσης να αναλάβει την επανεγκατάσταση της επιδιορθωμένης συσκευής ή την εγκατάσταση της νέας συσκευής, όπου αυτό κρίνεται απαραίτητο.

Οι περιορισμοί αυτοί δεν ισχύουν για εργασίες που πραγματοποιούνται σύμφωνα με τη βέλτιστη πρακτική από εξειδικευμένο προσωπικό και με τη χρήση γνήσιων ανταλλακτικών για την προσαρμογή της συσκευής στα πρότυπα ασφαλείας άλλης χώρας της ΕΕ.

Εφαρμογή της εθνικής νομοθεσίας

Η εγγύηση της IKEA παρέχει στον πελάτη ειδικά νομικά δικαιώματα επιπλέον των δικαιωμάτων που ορίζει η νομοθεσία και τα οποία διαφέρουν ανάλογα με τη χώρα. Ωστόσο, οι όροι αυτοί δεν περιορίζουν με κανέναν τρόπο τα δικαιώματα του καταναλωτή που ορίζονται από την τοπική νομοθεσία.

Περιοχή ισχύος

Για τις συσκευές που πωλούνται σε χώρα της ΕΕ και μεταφέρονται σε άλλη χώρα της ΕΕ, οι υπηρεσίες παρέχονται σύμφωνα με τους

όρους εγγύησης που ισχύουν στη χώρα προορισμού. Η υποχρέωση παροχής της υπηρεσίας σύμφωνα τους όρους της εγγύησης υφίσταται μόνο αν η συσκευή συμμορφώνεται και έχει εγκατασταθεί σύμφωνα με:

- τις τεχνικές προδιαγραφές της χώρας όπου ζητείται η εφαρμογή της εγγύησης,
- τις πληροφορίες για την ασφάλεια που περιέχονται στο Εγχειρίδιο χρήσης.

Υπηρεσία Υποστήριξης μετά την πώληση για ηλεκτρικές οικιακές συσκευές IKEA:

Μη διστάζετε να επικοινωνήσετε με την Υπηρεσία Υποστήριξης της IKEA για:

1. να ζητήσετε υποστήριξη επωφελούμενοι από την εγγύηση,
2. να ζητήσετε διευκρινίσεις σχετικά με την εγκατάσταση των ηλεκτρικών οικιακών συσκευών της IKEA στα έπιπλα κουζίνας της IKEA. Η υπηρεσία δεν παρέχει υποστήριξη ή οδηγίες όσον αφορά:
 - την εγκατάσταση πλήρους κουζίνας της IKEA,
 - ηλεκτρικές συνδέσεις (αν η συσκευή παρέχεται χωρίς καλώδια και φics), υδραυλικές συνδέσεις και συνδέσεις στην εγκατάσταση του αερίου που πρέπει να εκτελούνται από εξουσιοδοτημένο τεχνικό υποστήριξης.
3. να ζητήσετε διευκρινίσεις σχετικά με το περιεχόμενο του εγχειριδίου χρήσης και με τα χαρακτηριστικά της ηλεκτρικής οικιακής συσκευής IKEA.

Για την καλύτερη εξυπηρέτησή σας, παρακαλούμε διαβάστε προσεκτικά τις οδηγίες εγκατάστασης ή/και τις οδηγίες χρήσης πριν απευθυνθείτε στην υπηρεσία.

Πώς να επικοινωνήσετε μαζί μας όταν είναι αναγκαία η παρέμβασή μας



Δείτε την πλήρη λίστα με τους παρόχους υποστήριξης της IKEA και τους αντίστοιχους εθνικούς τηλεφωνικούς αριθμούς στην τελευταία σελίδα του παρόντος εγχειριδίου.

Σημαντικό! Για πιο γρήγορη εξυπηρέτηση, χρησιμοποιήστε τους τηλεφωνικούς αριθμούς που υπάρχουν στο τέλος του παρόντος εγχειριδίου. Για να ζητήσετε υποστήριξη, ανατρέχετε πάντα στους ειδικούς κωδικούς της συσκευής που υπάρχουν στο παρόν εγχειρίδιο. Προτού επικοινωνήσετε μαζί μας, βεβαιωθείτε ότι διαθέτετε τον κωδικό του προϊόντος IKEA (8 ψηφία) που αντιστοιχεί στην ηλεκτρική οικιακή συσκευή για την οποία ζητάτε υποστήριξη.

Σημαντικό! ΦΥΛΑΞΤΕ ΤΗΝ ΑΠΟΔΕΙΞΗ ΑΓΟΡΑΣ!

Αποτελεί το αποδεικτικό αγοράς και η επίδειξή της είναι απαραίτητη προκειμένου να μπορέσετε να επωφεληθείτε από την εγγύηση. Στην απόδειξη αγοράς αναγράφονται επίσης το όνομα και ο κωδικός (8 ψηφίων) της ηλεκτρικής οικιακής συσκευής IKEA που έχετε αγοράσει.

Χρειάζεστε άλλη βοήθεια;

Για οποιαδήποτε άλλη ερώτηση που δεν αφορά την υποστήριξη πελατών. Επικοινωνήστε με το τηλεφωνικό κέντρο του πλησιέστερου καταστήματος IKEA. Πριν επικοινωνήσετε μαζί μας, σας συνιστούμε να διαβάσετε προσεκτικά το φυλλάδιο της συσκευής.

Inhoud

Veiligheidsinformatie	170	Wat te doen als...	178
Algemene informatie	174	Technische gegevens	178
Beschrijving van het product	175	Energie-efficiëntie	180
Bedieningspaneel	175	Milieuaspecten	181
Algemene suggesties	176	IKEA-garantie	181
Reiniging en onderhoud	176		

Veiligheidsinformatie

i Lees voor uw eigen veiligheid en voor een correcte werking van het apparaat eerst deze handleiding aandachtig door, alvorens het apparaat te installeren en te gebruiken. Bewaar deze instructies altijd bij het apparaat, ook wanneer u het verplaatst of verkoopt. Gebruikers moeten volledig op de hoogte zijn van de werking en de veiligheidsfuncties van het apparaat.

! De aansluiting van de kabels moet worden verricht door een vakbekwame technicus.

- De fabrikant is niet aansprakelijk voor eventuele schade als gevolg van een onjuiste installatie of een oneigenlijk gebruik.
- De minimale veiligheidsafstand tussen de kookplaat en de afzuigkap is 500 mm voor elektrische afzuigkappen en 650 mm voor gasafzuigkappen.
- Als de aanwijzingen voor de installatie van de gaskookplaat een grotere dan de bovenstaande afstand aangeven, moet daarmee rekening worden gehouden.
- Controleer of de netspanning overeenkomt met de waarde aangegeven op het typeplaatje aan de binnenkant van de af-

zuigkap.

- In de vaste installatie moeten er scheidingsschakelaars worden geïnstalleerd, in overeenstemming met de normen inzake bedradingsystemen.
- Controleer voor apparaten van klasse I of het elektriciteitsnet van uw woning over een goede aarding beschikt.
- Sluit de afzuigkap aan op de schoorsteen door middel van een buis met een minimale afmeting van 150 mm. Het traject van de rookgassen moet zo kort mogelijk zijn.
- Neem alle normen voor luchtafvoer in acht.
- Sluit de afzuigkap niet aan op rookkanalen die verbrandingsgassen afvoeren (bijv. van ketels, haarden, enz.).
- Als de afzuigkap in combinatie met niet-elektrische apparatuur wordt gebruikt (bijv. gastoestellen), moet er een voldoende ventilatie van de ruimte gegarandeerd worden om de terugstroming van stroom afgevoerde gassen te voorkomen. Als de afzuigkap gebruikt wordt in combinatie met niet-elektrisch gevoede apparaten, mag de negatieve druk van de ruimte de waarde van 4 Pa niet overschrijden om te voorkomen dat de rookgassen weer door de afzuigkap naar de ruimte worden aangezogen.
- De lucht mag niet worden afgevoerd via een kanaal dat gebruikt wordt voor de rookgasafvoer van verbrandingstoestellen die met gas of andere brandstoffen worden gevoed.
- Als de voedingskabel beschadigd is, moet hij worden vervangen door de fabrikant of door een technicus van de servicedienst.
- Steek de stekker in een stopcontact dat voldoet aan de geldende normen en dat zich op een goed bereikbare plek bevindt.
- Voor wat betreft de technische voorschriften en veiligheidsmaatregelen moeten strikt de door de plaatselijke autoriteiten voorgeschreven normen worden nageleefd.

-  **OPGELET:** voordat de afzuigkap wordt geïnstalleerd, moet de beschermende folie verwijderd worden.
- Gebruik uitsluitend schroeven en bouten van een type dat geschikt is voor de afzuigkap.
-  **OPGELET:** als schroeven of bevestigingsmiddelen niet in overeenstemming met deze aanwijzingen worden geïnstalleerd, kan dit leiden tot een risico op elektrische schokken.
- Sluit de afzuigkap aan op het elektriciteitsnet met behulp van een bipolaire schakelaar met een contactafstand van minimaal 3 mm.
 - Bekijk niet rechtstreeks met optische instrumenten (verrekijker, vergrootglas....).
 - Niet flamberen onder de afzuigkap: er kan brand ontstaan.
 - Dit apparaat mag worden gebruikt door kinderen ouder dan 8 jaar en door personen met een lichamelijke, zintuiglijke of geestelijke beperking of met onvoldoende ervaring en kennis, mits ze onder toezicht staan en goed geïnstrueerd zijn over het veilige gebruik van het apparaat en de bij het gebruik betrokken gevaren. Zorg ervoor dat kinderen niet met het apparaat spelen. De reiniging en het onderhoud door de gebruiker mogen niet worden uitgevoerd door kinderen, tenzij ze onder toezicht staan.
 - Kinderen moeten onder toezicht staan om ervoor te zorgen dat ze niet met het apparaat spelen.
 - Het apparaat mag niet gebruikt worden door personen (inclusief kinderen) met een lichamelijke, zintuiglijke of geestelijke beperking of met onvoldoende ervaring en kennis, tenzij ze onder zorgvuldig toezicht staan en geïnstrueerd zijn.
-  **!** De bereikbare delen kunnen tijdens het gebruik van het kooktoestel zeer heet worden
- Reinig en/of vervang de filters na het verstrijken van de aange-

geven tijd (brandgevaar).

- Als de afzuigkap tegelijkertijd met andere apparaten die functioneren met gas of andere brandstoffen wordt gebruikt, moet er in de ruimte een voldoende ventilatie beschikbaar zijn (niet van toepassing voor apparaten die de lucht alleen in de ruimte afgeven).
- Afzuigkappen en andere afzuigtoestellen van de kookdampen kunnen afbreuk doen aan de veilige werking van op gas of andere brandstoffen functionerende apparaten (inclusief die geplaatst in andere omgevingen), in verband met de terugstroming van de verbrandingsgassen. Deze gassen kunnen koolmonoxidevergiftiging veroorzaken. Na de installatie van een afzuigkap of een ander afzuigtoestel van de rookdampen moet ervoor gezorgd worden dat de gastoestellen getest worden door een gekwalificeerde persoon, om te garanderen dat er geen sprake is van terugstroming van de verbrandingsgassen.

Algemene informatie

Gebruik

- Schakel het apparaat uit of koppel het los van het elektriciteitsnet alvorens reinigings- of onderhoudswerkzaamheden uit te voeren.
- De afzuigkap mag niet als steunvlak worden gebruikt.
- De afzuigkap is uitsluitend ontworpen voor het elimineren van kookgeuren bij huishoudelijk gebruik.
- Gebruik de afzuigkap nooit voor andere doeleinden dan waarvoor deze is ontworpen.
- Laat nooit hoge vlammen onder de afzuigkap staan wanneer deze in werking is.
- Stel de intensiteit van de vlam zo in dat deze enkel op de bodem van het kookvat gericht is en niet langs de zijanten ervan.
- Friteuses moeten tijdens het gebruik voortdurend worden gecontroleerd: oververhitte olie zou kunnen ontbranden.

Installatiemodus

De afzuigkap is ontworpen voor installatie en gebruik in "afzuigversie" of in "luchtcirculatieversie".



Afzuigversie (zie het symbool in de aanwijzingen voor de installatie)

De kookstoom wordt aangezogen en naar buiten afgevoerd via een afvoerleiding (niet

meegeleverd) die is geïnstalleerd op de stoomuitlaat van de afzuigkap. Zorg ervoor dat de afvoerslang correct is aangesloten op de luchtuitlaat, met behulp van een geschikt verbindingssysteem.



Luchtcirculatieversie (zie het symbool in de aanwijzingen voor de installatie)

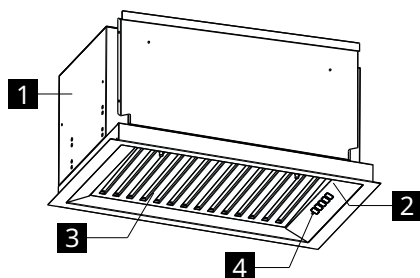
De lucht wordt door één of meerdere filters gefilterd en vervolgens weer de ruimte in geleid.

Belangrijk: Zorg voor een goede luchtcirculatie rond de kap.

Belangrijk: Indien de afzuigkap niet wordt geleverd met koolstoffilters, moeten deze worden besteld en gemonteerd alvorens het apparaat te gebruiken. De filters zijn in de handel verkrijgbaar.


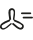



De afzuigkap moet uit de buurt van bijzonder vuile zones, ramen, deuren en warmtebronnen worden geïnstalleerd. Accessoires voor wandmontage zijn niet inbegrepen, aangezien deze variëren afhankelijk van het materiaal van de wand. Gebruik bevestigingssystemen die geschikt zijn voor de muren van uw huis en het gewicht van het apparaat. Neem voor meer gedetailleerde informatie contact op met een gespecialiseerde verkoper. Bewaar deze instructies voor toekomstig gebruik.

Beschrijving van het product



- 1 Body afzuigkap
- 2 Verlichting
- 3 Vetfilter
- 4 Bedieningspaneel

Bedieningspaneel

    			
<div style="display: flex; justify-content: space-around; width: 100%;"> A B C D E </div>			
Toets	Druk op toets	Functie	Led
A Snelheid	Kort	Schakelt de motor in/uit op snelheid één.	Ingeschakeld of uitgeschakeld
B Snelheid	Kort	Start de motor op snelheid twee. De knop A moet worden ingedrukt.	A + B branden
C Snelheid	Kort	Start de motor op snelheid drie. De knop A moet worden ingedrukt.	A + C branden
D Snelheid	Kort	Schakelt de motor in op de hoge snelheid. Deze snelheid heeft een duur van 6 minuten. Na de ingestelde tijdsduur keert het systeem automatisch terug naar de eerder ingestelde snelheid. Als deze snelheid bij uitgeschakelde motor wordt ingeschakeld, dan wordt de motor na het verstrijken van de tijd weer op OFF geplaatst. Druk voor de deactivering op de toets A, B of C. De toets A moet geselecteerd zijn.	A Brandt D Knippert
E Verlichting	Kort	Schakelt het verlichtingssysteem op de hoogste lichtsterkte in en uit.	Ingeschakeld of uitgeschakeld
	Lang	Verhoogt of verlaagt de lichtsterkte.	Ingeschakeld of uitgeschakeld

Algemene suggesties

- Gebruik de afzuigkap op minimale snelheid wanneer u begint met koken en laat deze nog enkele minuten draaien na het koken.
- Verhoog de snelheid enkel in de aanwezigheid van grote hoeveelheden rook en stoom en gebruik de intensieve snelheid/snelheden enkel in uitzonderlijke situaties.
- Vervang de koolstoffilter(s) wanneer nodig om een goede geurverwijdering te behouden.
- Reinig de vetfilter(s) wanneer nodig om een goede vetverwijdering te behouden.
- Gebruik de maximale diameter van het kanaal zoals aangegeven in deze handleiding om de efficiëntie te optimaliseren en het geluid te minimaliseren.

Reiniging en onderhoud

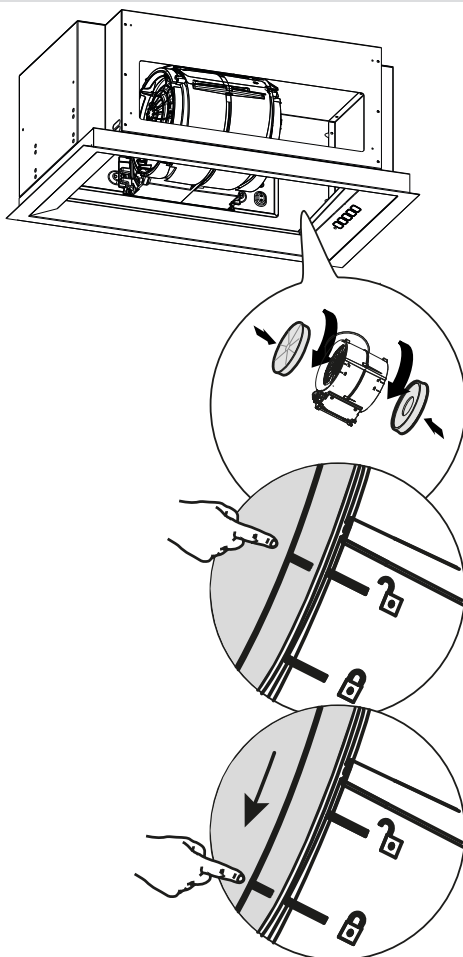


Schakel het apparaat uit of trek de stekker uit het stopcontact alvorens onderhoudswerkzaamheden uit te voeren.

BELANGRIJK: Reinig de afzuigkap met een vochtige doek en een mild reinigingsmiddel.

Duurzaam koolstoffilter (Groen)

Het geurfilter kan om de 3-4 maanden worden gewassen en geregeneerd (of vaker indien de afzuigkap intensief wordt gebruikt), tot een maximum van 8 regeneratiecycli (bij bijzonder intensief gebruik wordt aanbevolen niet meer dan 5 cycli te gebruiken).



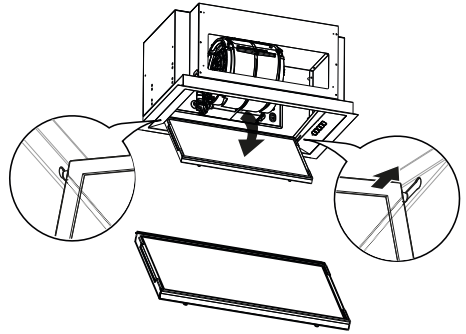
Regeneratieprocedure

- Was in de vaatwasmachine bij een maximale temperatuur van 70°C, of was met de hand in warm water, zonder gebruik van schuursponsjes (en zonder reinigingsmiddelen!).
- Droog het filter gedurende 2 uur in de oven bij een maximale temperatuur van 70°C (lees aandachtig de handleiding van uw oven).

Vetfilter

Ga door met het schoonmaken of vervangen van de filters met de aangegeven frequentie om de goede werking van de afzuigkap te garanderen en om potentieel brandgevaar door een te grote ophoping van vet te voorkomen. De vetfilters moeten om de 2 maanden van werking gereinigd worden, of

vaker in geval van een zeer intensief gebruik. Vetfilters kunnen in de vaatwasmachine gewassen worden.

**Vervanging lampen**

Neem voor vervanging contact op met een Erkend Servicecentrum.

Wat te doen als...

In geval van een storing probeert u eerst zelf een oplossing te vinden. Indien u het probleem niet zelf kunt oplossen, neemt u contact op met een erkend servicecentrum.

i In geval van oneigenlijk gebruik van het apparaat of installatie die niet is uitgevoerd

volgens de installatiehandleiding, kan het noodzakelijk zijn het bezoek van de technicus van het erkend servicecentrum te betalen, ook tijdens de geldigheidsduur van de garantie.

PROBLEEM	MOGELIJKE OORZAAK	OPLOSSING
Het apparaat is niet stabiel.	Het apparaat is niet correct geïnstalleerd.	Volg de installatie instructies die bij het toestel zijn geleverd.
Het apparaat is niet waterpas.	Het apparaat is niet correct geïnstalleerd.	Volg de installatie instructies die bij het toestel zijn geleverd.
De prestaties op het gebied van vetopvang zijn niet bevredigend.	Aanwezigheid van olie en vet op metalen filters of koolstoffilters.	Bekijk de frequentie voor het reinigen van filters, zoals beschreven in de handleiding.
Het apparaat werkt niet.	Het apparaat is niet correct geïnstalleerd.	Controleer of het netsnoer is aangesloten op de motor-eenheid en of de stekker in het stopcontact zit.
Het licht werkt niet.	De LED is kapot.	Neem voor vervanging contact op met een Erkend Servicecentrum.
De kap maakt meer lawaai dan de klant verwacht.	De diameter van de ontluchter in de wand is te klein en veroorzaakt drukverlies en een hoger motortoerental.	Volg de installatie instructies die bij het toestel zijn geleverd.
	Het product is geïnstalleerd in recirculatiemodus.	Het product in recirculatiemodus (en met geïnstalleerd koolstoffilter) maakt meer lawaai dan een product in aspiratiemodus.
	Het ventilatiekanaal heeft meer dan één bocht.	Indien het rookafvoersysteem van het gebouw meerdere bochten heeft of een lange afstand bestrijkt, kan het product meer lawaai maken.

Voordat u contact opneemt met het erkende servicecentrum:

Schakel het apparaat weer in om te controleren of het probleem is verdwenen. Zo niet, schakelt u het weer uit en herhaalt u de handeling na een uur. Indien het apparaat na het uitvoeren van de controles in de handleiding voor probleemoplossing en na

het opnieuw inschakelen van het apparaat nog steeds niet goed werkt, neemt u contact op met het erkende servicecentrum, waarbij u duidelijk uitlegt wat het probleem is en het volgende noemt:

- het type storing;
- het model;
- het type- en serienummer van het apparaat (aangegeven op de typeplaat).

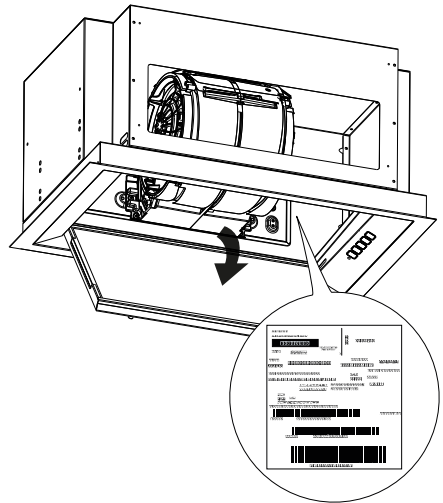
Technische gegevens

		Eenheid	Waarde
Producttype			Ingebouwde afzuigkap
Afmetingen	Breedte	mm	599
	Diepte	mm	358
	Min./max. hoogte	mm	290

Max. luchtdebiet* - Afvoer		m3/h	450
Max. geluidsniveau - Afvoer		dBA	55
Max. luchtdebiet* - Recirculatie		m3/h	250
Max. geluidsniveau* - Recirculatie		dBA	66
Totaal vermogen		W	144
Informatie over de lamp	Type		LED-balk
	Aantal en vermogen		3,8 W
	Fitting		N/A
Minimale installatiehoogte - gaskookplaat		mm	650
Minimale installatiehoogte - elektrische kookplaat		mm	500
Netto gewicht		Kg	8
* Maximale snelheid (zonder intensieve instelling)			

Dit apparaat is ontworpen, geproduceerd en in de handel gebracht in overeenstemming met de EEG-richtlijnen **CE**.

De technische gegevens staan vermeld op de typeplaat aan de binnenkant van het apparaat.



Energie-efficiëntie

Informatie over het product volgens de EU-verordening nr. 66/2014	Eenheid	Waarde
Naam van de leverancier	IKEA	
Identificatie model	MÅNGSBO 906.091.16 106.176.10 906.176.11	
Efficiëntie jaarlijks verbruik	kWh/a	26,9
Coëfficiënt voor verhoging van de tijd		0,5
Hydrodynamische efficiëntie		40,5
Index energie-efficiëntie		29,9
Luchtdebiet gemeten op het meest efficiënte punt	m ³ /h	410
Luchtdruk gemeten op het meest efficiënte punt	Pa	469
Maximaal luchtdebiet	m ³ /h	450
Gemeten elektrisch opgenomen vermogen op het beste-efficiëntiepunt	W	132
Nominaal vermogen van het verlichtingssysteem	W	3,8
Gemiddelde verlichting van het verlichtingssysteem op de kookplaat	Lux	275
Stroomverbruik gemeten in de stand-bymodus	W	0,49
Stroomverbruik gemeten in de modus off	W	0,0
Geluidsniveau bij maximale snelheid (zonder intensieve instelling)	dba	66

Referentienormen:

EN/IEC 61591
EN/IEC 60704-1
EN/IEC 60704-2-13
EN/IEC 60704-3
EN 50564


Energiebesparing

Het apparaat beschikt over functies die helpen energie te besparen tijdens het dagelijkse koken.

Milieuaspecten

Afdanken van huishoudelijke apparaten



Het symbool  op het product of op de verpakking wijst erop dat dit product niet met het normale huishoudelijke afval mag worden verwerkt. Het product moet worden verwerkt bij een speciaal inzamelcentrum voor de recycling van elektrische en elektronische apparatuur. Als u ervoor zorgt dat dit product op de juiste manier wordt verwerkt, voorkomt u mogelijk voor mens en milieu negatieve gevolgen die zich zouden kunnen voordoen in geval van een verkeerde afvalbehandeling.

Neem voor meer details over het recyclen van dit product contact op met uw gemeente, de plaatselijke vuilophaaldienst of de winkel waar u het product hebt gekocht.

Het apparaat voldoet aan de richtlijn 2012/19/EU inzake de vermindering van gevaarlijke stoffen in elektrische en elektronische apparaten en de verwerking van het afval.

Afdanken van het verpakkingsmateriaal

De materialen met het symbool  zijn recyclebaar. Werp het verpakkingsmateriaal in speciale containers om het te recyclen.

IKEA-garantie

Hoelang is de garantie van IKEA geldig?

Deze garantie is vijf (5) jaar geldig vanaf de oorspronkelijke aankoopdatum van het apparaat bij IKEA. De originele kassabon is vereist als aankoopbewijs. Een onder garantie verrichte reparatie verlengt niet de garantieperiode van het apparaat.

Wie verleent de service?

De klantenservice wordt gegarandeerd door de door IKEA benoemde serviceleverancier, via de eigen organisatie of het netwerk van erkende servicepartners.

Wat wordt gedekt door de garantie?

De garantie dekt eventuele materiaal- en/of constructiefouten van het apparaat en is geldig vanaf de aankoopdatum van het apparaat bij IKEA. De garantie geldt alleen voor apparaten die voor huishoudelijk gebruik bestemd zijn. De uitzonderingen onder beschreven onder item 'Wat wordt niet gedekt door de garantie?'. Gedurende de geldigheidsperiode van de garantie zijn de kosten voor de reparatie (reserveonderdelen, arbeids- en reiskosten van het technische personeel) voor rekening van de servicedienst, mits de beschikbaarheid van het apparaat voor de reparatie-ingreep geen

uitzonderlijke kosten vereist. Deze voorwaarden voldoen aan de UE-richtlijnen (nr. 99/44/EG) en aan de plaatselijke voorschriften. Vervangen delen worden eigendom van IKEA.

Wat doet IKEA om het probleem op te lossen?

De door IKEA benoemde serviceleverancier zal het product onderzoeken en naar eigen goeddunken beslissen of het defect/probleem onder de garantievoorwaarden valt. Als dit het geval is zal de serviceleverancier IKEA of diens erkende servicepartner door middel van de servicecentra en naar eigen goeddunken het defecte product repareren of vervangen door een identiek product of een van gelijke waarde.

Wat wordt niet gedekt door de garantie?

- Normale slijtage.
- Opzettelijk veroorzaakte schade of te wijten aan nalatigheid, schade veroorzaakt door de niet-naleving van de gebruiksaanwijzingen, door een onjuiste installatie of de aansluiting op een onjuiste spanning, schade veroorzaakt door chemische of elektrochemische reacties, roest, corrosie of door water veroorzaakte schade, inclu-

sief maar niet beperkt tot schade veroorzaakt door de aanwezigheid van te veel kalk in de waterleiding en schade veroorzaakt door natuurlijke gebeurtenissen en de weersomstandigheden.

- Aan slijtage onderhevige onderdelen, bijvoorbeeld batterijen en lampjes.
- Decoratieve en niet-functionele onderdelen die niet van invloed zijn op het normale gebruik van het huishoudelijke apparaat, waaronder krassen en kleurveranderingen.
- Accidentele schade veroorzaakt door vreemde stoffen of voorwerpen en door de reiniging of het ontstoppen van filters, afvoersystemen of wasmiddelladen.
- Schade van onderdelen zoals keramisch glas, manden voor vaatwerk en bestek, toeren afvoerleidingen, afdichtingen, lampjes en lampenkappen, schermen, knoppen, bekledingen en delen van bekledingen, tenzij bewezen kan worden dat deze schade is veroorzaakt door productiefouten.
- Gevallen waarbij tijdens het bezoek van een technicus geen defecten konden worden vastgesteld.
- Reparaties die niet zijn uitgevoerd door de door IKEA benoemde serviceleverancier en/of een erkende servicepartner of reparaties waarvoor niet-originele reserveonderdelen zijn gebruikt.
- Reparaties als gevolg van een onjuiste installatie of een installatie die niet voldoet aan de specificaties.
- Gebruik van het huishoudelijke apparaat in een niet huishoudelijke omgeving, bijvoorbeeld voor professioneel gebruik.
- Transportschade. Als het apparaat door een klant naar zijn woning of een ander adres wordt vervoerd, kan IKEA niet aansprakelijk gesteld worden voor eventuele transportschade. Als het transport naar het adres van de klant echter door IKEA wordt verzorgd, dan wordt eventuele transportschade gedekt door de garantie.
- Eerste installatiekosten van het apparaat van IKEA. Als een door IKEA benoemde serviceleverancier of diens erkende servicepartner een reparatie of vervanging van de apparaat onder garantie verzorgt, moet de leverancier of de erkende servicepartner

ook de herinstallatie van het gerepareerde apparaat of van het vervangende apparaat verzorgen indien dit noodzakelijk mocht zijn.

Deze beperkingen zijn niet van toepassing voor vakkundig uitgevoerde werkzaamheden, door gekwalificeerd personeel en met het gebruik van originele reserveonderdelen, om het apparaat aan te passen aan de veiligheidsnormen van een ander Europees land.

Toepasselijkheid van nationale wetgeving

De garantie van IKEA geeft de klant specifieke wettelijke rechten, in aanvulling op alle wettelijke rechten die per land verschillend zijn. Deze voorwaarden beperken echter op geen enkele wijze de rechten van de consument die door de lokale wetgeving worden bepaald.

Geldigheidsgebied

Voor apparaten die in een EU-land zijn gekocht en naar een ander EU-land zijn gebracht, wordt de service verleend op basis van de garantievoorwaarden die in het nieuwe land van toepassing zijn. De verplichting voor het verstrekken van service onder de garantievoorwaarden geldt alleen als het apparaat conform is en conform geïnstalleerd is met de:

- technische specificaties van het land waarin de toepassing van de garantie wordt gevraagd;
- informatie van de handleiding met betrekking tot de veiligheid.

After-saleservice voor huishoudelijke apparaten van IKEA:

Aarzel niet contact op te nemen met de after-saleservice van IKEA voor:

1. het aanvragen van service onder garantie;
2. het vragen van toelichtingen inzake de installatie van de huishoudelijke apparaten van IKEA in de specifieke keukenmeubels van IKEA. De service biedt geen hulp of informatie met betrekking tot:
 - de installatie van complete IKEA-keukens;

- de elektrische aansluitingen (als het apparaat zonder kabels en stekkers wordt geleverd), op de water- en gasleiding, omdat deze verricht moeten worden door een erkende servicetechnicus.
3. het vragen van toelichtingen inzake de gebruikershandleiding en de specificaties van het IKEA-apparaat.

Om ervoor te zorgen dat wij u de beste service verlenen, verzoeken wij u de montage-instructies en/of de gebruikershandleiding zorgvuldig te lezen voordat u contact met ons opneemt.

Hoe kunt u ons bereiken als u hulp nodig hebt



Raadpleeg de volledige lijst van de serviceleveranciers van IKEA en hun telefoonnummers op de laatste pagina van deze handleiding.

Belangrijk! Om een snelle service te kunnen garanderen, vragen wij u de aan het einde van deze handleiding aangegeven telefoonnummers te gebruiken. Verwijs bij het aanvragen van service altijd naar de specifieke codes van het apparaat zoals aangegeven in deze handleiding. Zorg ervoor, voordat u contact met ons opneemt, dat u de IKEA-productcode (8 cijfers) van het apparaat waarvoor service wordt gevraagd onder handbereik heeft.

Belangrijk! BEWAAR DE KASSABON/FACTUUR!

Dit is het aankoopbewijs dat beschikbaar moet zijn om gebruik te kunnen maken van de garantie. Op de kassabon staan ook de naam en de productcode (8 cijfers) van elk aangeschaft IKEA-apparaat aangegeven.

Heeft u verdere hulp nodig?

Neem voor verdere vragen, die niet de service van de apparatuur betreffen, contact op met het dichtstbijzijnde verkooppunt van IKEA. Wij vragen u de documentatie van het apparaat aandachtig te lezen, alvorens contact met ons op te nemen.

Obsah

Informace o bezpečnosti	184	Co dělat, když...	191
Obecné informace	187	Technické údaje	191
Popis výrobku	188	Energetická účinnost	193
Ovládací panel	188	Environmentální aspekty	194
Obecné rady	189	Záruka IKEA	194
Čištění a údržba	189		

Informace o bezpečnosti

i Z důvodu vlastní bezpečnosti a správného provozu zařízení si před instalací a uvedením do provozu pečlivě přečtěte tento návod. Mějte tento návod stále uschovaný spolu s přístrojem, a to i v případě prodeje nebo převodu třetím osobám. Je důležité, aby uživatelé znali všechny provozní a bezpečnostní vlastnosti přístroje.

! Připojení kabelů musí provést kompetentní technik.

- Výrobce nenese odpovědnost za škody vzniklé v důsledku nesprávné instalace nebo používání.
- Minimální bezpečnostní vzdálenost mezi varnou deskou a odsávací digestoří je 500 mm u elektrických digestoří a 650 mm u plynových digestoří.
- Jestliže je v návodu k instalaci plynového sporáku uvedena větší vzdálenost než výše uvedená, je třeba to vzít v úvahu.
- Zkontrolujte, zda síťové napětí odpovídá hodnotám uvedeným na štítku uvnitř digestoře.
- Odpojovací zařízení musí být instalována v pevném systému v souladu s předpisy pro elektroinstalační systémy.

- U přístrojů třídy I zkontrolujte, zda je domácí napájecí zdroj dostatečně uzemněn.
- Připojte digestoř k dýmníku pomocí trubky o minimálním průměru 150 mm. Trasa výparů musí být co nejkratší.
- Musí být dodrženy všechny normy týkající se odvodu vzduchu.
- Nepřipojujte odsávací digestoř ke komínům, které odvádějí zplodiny ze spalování (např. kotle, komíny atd.).
- Pokud je digestoř používána v kombinaci s neelektrickými přístroji (např. plynovými), musí být v místnosti zaručeno dostatečné větrání, aby nemohlo dojít k návratu plynových zplodin. Pokud se digestoř používá v kombinaci se spotřebiči, které nejsou napájeny elektřinou, nesmí podtlak v místnosti překročit 4 Pa, aby se zabránilo zpětnému nasávání výparů z digestoře do místnosti.
- Vzduch nesmí být odváděn přes potrubí používané pro odvod výparů ze spalovacích zařízení fungujících na plyn nebo na jiná paliva.
- Pokud je napájecí kabel poškozen, jeho výměnu může provádět pouze výrobce nebo jeho servisní technik.
- Připojte zástrčku do zásuvky odpovídající normám a ve snadno přístupné poloze.
- Při realizaci technických a bezpečnostních rozměrů pro odvod výparů je třeba pečlivě dodržovat předpisy stanovené místními orgány.

⚠ UPOZORNĚNÍ: Před instalací digestoře odstraňte ochranné fólie.

- Použijte pouze šrouby a spojovací materiál vhodného typu pro digestoř.

⚠ VAROVÁNÍ: Pokud nebudou šrouby nebo spojovací prvky instalovány v souladu s těmito pokyny, může dojít k úrazu elektrickým proudem.

- Připojte digestoř k elektrické síti pomocí dvoupólového vypínače s mezerou mezi kontakty nejméně 3 mm.
- Nepozorujte přímo optickými přístroji (dalekohledem, lupou....).
- Pod kuchyňskou digestoří nepřipravujte flambované pokrmy, je zde nebezpečí požáru.
- Tento přístroj může být používán dětmi ve věku nad 8 let a osobami se sníženými fyzickými, smyslovými nebo duševními schopnostmi nebo bez patřičných zkušeností a znalostí, pokud jsou pod pečlivým dohledem nebo byly seznámeny s pokyny k použití přístroje bezpečným způsobem a rozumí jeho rizikům. Zkontrolujte, zda si děti nehrají s přístrojem. Čištění a údržba, které mají být vykonávány uživatelem, nesmí být prováděny dětmi, pokud nejsou pod dozorem.
- Děti musí být pod dohledem, kontrolujte, aby si nehrály s přístrojem.
- Přístroj nesmí používat osoby (včetně dětí) se sníženými psycho-fyzicko-smyslovými schopnostmi nebo s nedostatečnými zkušenostmi a znalostmi, pokud nejsou pod pečlivým dohledem a nebyly poučeny.

⚠ Přístupné části mohou při používání varných přístrojů dosahovat vysokých teplot.

- Po uplynutí stanovené doby filtry vyčistěte a/nebo vyměňte (nebezpečí požáru).
- Pokud je digestoř používána současně s plynovými přístroji nebo přístroji, které používají nějaké jiné palivo, v místnosti musí být vhodné větrání (neaplikuje se na přístroje, které pouze vypouštějí vzduch do místnosti).

- Kuchyňské digestoře a jiné odsavače výparů z vaření mohou ohrozit bezpečný provoz přístrojů spalujících plyn nebo jiná paliva (včetně těch, která se nacházejí v jiných prostředích) kvůli zpětnému toku spalin. Tyto plyny mohou způsobit otravu oxidem uhelnatým. Po instalaci digestoře nebo jiného odsavače výparů z vaření se ujistěte, že plynové přístroje byly otestovány kompetentní osobou, aby bylo zaručeno, že nedochází ke zpětnému toku spalin.

Obecné informace

Použití

- Před jakýmkoli čištěním nebo údržbou přístroj vypněte nebo odpojte od napájení.
- Digestoř se nesmí používat jako opěrná deska.
- Odsávací digestoř je určena výhradně k odstraňování zápachu z vaření v domácnostech.
- V žádném případě nepoužívejte digestoř k jiným účelům, než pro které byla navržena.
- Nikdy nenechávejte pod digestoři za provozu vysoký plamen.
- Nastavte intenzitu plamene tak, aby směřoval výhradně ke dnu varné nádoby a nezasahoval do jejích stěn.
- Fritézy je třeba během používání neustále kontrolovat: přehřátý olej by se mohl vznítit.

Způsoby instalace

Digestoř je určena k instalaci a použití buď ve „verzi odsávání“, nebo ve „verzi recirkulace vzduchu“.



Verze odsávání (viz symbol v návodu k instalaci)

Pára z vaření je odsávána a odváděna mimo obydli vypouštěcím potrubím (není součástí dodávky) instalovaným na výstupu páry z digestoře. Ujistěte se, že je vypouštěcí potrubí správně nainstalováno na výstupu vzduchu pomocí vhodného připojovacího systému.



Verze s recirkulací vzduchu (viz symbol v návodu k instalaci)

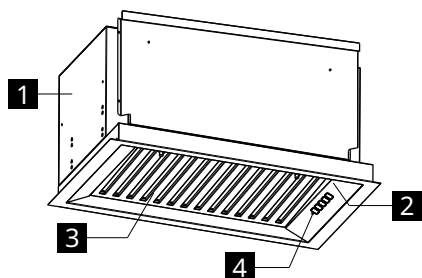
Vzduch je filtrován přes jeden nebo více filtrů a poté vrácen zpět do místnosti.

Důležité: Ujistěte se, že je kolem digestoře zajištěna správná cirkulace vzduchu.

Důležité: Pokud není digestoř dodávána s uhlíkovými filtry, je třeba je objednat a namontovat před použitím přístroje. Filtry jsou běžně prodávány.


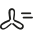



Digestoř musí být instalována mimo obzvláště znečištěné prostory, okna, dveře a zdroje tepla. Příslušenství pro montáž na stěnu není součástí dodávky, protože se liší v závislosti na materiálu stěny. Použijte upevňovací systémy, které jsou vhodné pro stěny vašeho domu a hmotnost přístroje. Podrobnější informace získáte u specializovaného prodejce. Tento návod si uschovejte pro budoucí použití.

Popis výrobku



- 1 Tělo digestoře
- 2 Osvětlení
- 3 Tukový filtr
- 4 Ovládací panel


Ovládací panel

						
		A	B	C	D	E
Tlačítko	Stisknutí tlačítka	Funkce				Kontrolka led
A Rychlost	Krátké	Zapíná/vypíná motor s první rychlostí.				Zapnuté nebo Vypnuté
B Rychlost	Krátké	Spouští motor na rychlost dvě. Tlačítko A musí být zvoleno.				A + B jsou zapnuty
C Rychlost	Krátké	Spouští motor na rychlost tři. Tlačítko A musí být zvoleno.				A + C jsou zapnuty
D Rychlost	Krátké	Zapíná motor s Intenzivní rychlostí. Tato rychlost je časově omezena na 6 minut. Po uplynutí nastavené doby se systém automaticky vrátí na rychlost, která byla nastavena předtím. Jestliže je aktivována s vypnutým motorem, po uplynutí nastavené doby se vrátí na OFF. Chcete-li ji deaktivovat, stiskněte tlačítko A, B nebo C. Tlačítko A musí být zvoleno.				A Svítí D Bliká
E Světlo	Krátké	Zapíná a vypíná systém osvětlení o maximální intenzitě.				Zapnuté nebo Vypnuté
	Dlouhé	Zvyšuje nebo snižuje intenzitu osvětlení.				Zapnuté nebo Vypnuté

Obecné rady

- Při zahájení vaření zapněte digestoř na minimální rychlost a nechte ji běžet ještě několik minut po skončení vaření.
- Rychlost zvyšujte pouze v přítomnosti velkého množství kouře a páry a intenzivní rychlost (rychlosti) používejte pouze v extrémních situacích.
- V případě potřeby vyměňte uhlíkový filtr (uhlíkové filtry), aby byla zachována dobrá účinnost potlačení zápachu.
- V případě potřeby vyčistěte tukový filtr (tukové filtry), aby byla zachována dobrá účinnost absorpce tuků.
- Pro optimalizaci účinnosti a minimalizaci hluku používejte maximální průměr potrubí uvedený v tomto návodu.

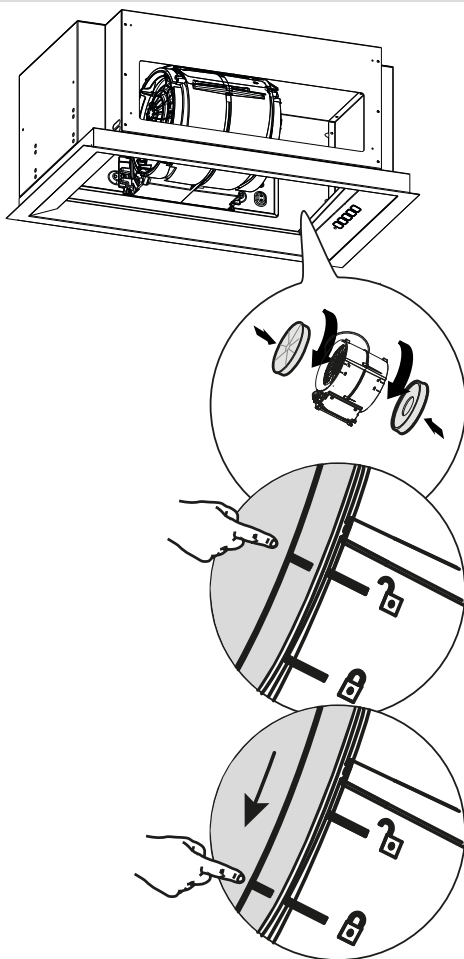
Čištění a údržba

 Před jakoukoliv údržbou přístroj vypněte nebo odpojte od napájení.

DŮLEŽITÉ: Čistěte digestoř vlhkým hadříkem a neutrálním tekutým čisticím prostředkem.

Uhlíkový filtr s dlouhou životností (zelený)

Pachový filtr lze prát a regenerovat každé 3-4 měsíce (nebo častěji, pokud je digestoř používána intenzivně), maximálně však 8 regeneračních cyklů (v případě obzvláště intenzivního používání se doporučuje nepřekračovat 5 cyklů).



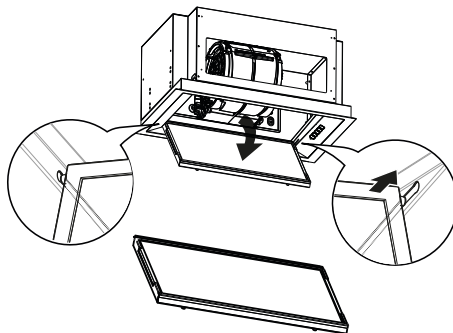
Postup regenerace

- Myjte v myčce při MAX teplotě 70° nebo myjte ručně teplou vodou. Nepoužívejte abrazivní hubky (nepoužívejte čisticí prostředky!).
- Sušte v troubě při MAX teplotě 70° po dobu 2 hodin (doporučujeme si pozorně přečíst návod k použití a montážní instrukce Vaší trouby).

Tukový filtr

Pokračujte v čištění nebo výměně filtrů v uvedených intervalech, abyste udrželi odsávač par v dobrém provozním stavu a předešli možnému riziku požáru v důsledku nadměrného hromadění tuku. Tukové filtry je třeba čistit každé 2 měsíce provozu nebo

častěji v případě velmi intenzivního používání a lze je mýt v myčce nádobí.

**Výměna žárovek**

Pro výměnu se obraťte na autorizované servisní středisko.

Co dělat, když...

V případě závady se nejprve pokuste najít řešení sami. Pokud problém nemůžete vyřešit sami, obraťte se na autorizované servisní středisko.

i V případě nesprávného používání přístroje nebo instalace, která nebyla provedena v souladu s návodem k instalaci, můžete být nuceni navštívit technika autorizovaného servisního střediska i během záruční doby.

PROBLÉM	MOŽNÁ PŘÍČINA	ŘEŠENÍ
Přístroj je nestabilní.	Přístroj nebyl instalován správně.	Postupujte podle pokynů k instalaci dodaných s přístrojem.
Přístroj není v rovině.	Přístroj nebyl instalován správně.	Postupujte podle pokynů k instalaci dodaných s přístrojem.
Výkonnost z hlediska zachycování tuku není uspokojivá.	Přítomnost oleje a mastnoty na kovových nebo uhlíkových filtrech.	Dodržujte pravidelnost čištění filtrů, jak je popsáno v návodu k obsluze.
Přístroj nefunguje.	Přístroj nebyl správně připojen.	Zkontrolujte, zda je síťový kabel připojen k motorové jednotce nebo zda je zástrčka zapojena do zásuvky.
Světlo nefunguje.	LED je prasknutá.	Pro výměnu se obraťte na autorizované servisní středisko.
Digestoř je hlučnější, než zákazník očekával.	Průměr odvodu vzduchu do stěny je příliš malý a způsobuje ztrátu tlaku a zvýšení otáček motoru.	Postupujte podle pokynů k instalaci dodaných s přístrojem.
	Výrobek je instalován v režimu recirkulace.	Výrobek v režimu recirkulace (a s nasazeným uhlíkovým filtrem) je hlučnější než výrobek v režimu odsávání.
	Větrací kanál má více než jeden ohyb.	Pokud má systém odvodu kouře v budově více ohybů nebo pokrývá velkou vzdálenost, může být výrobek hlučnější.

Než se obrátíte na autorizované servisní středisko:

Znovu přístroj zapněte, abyste zjistili, zda problém zmizel. Pokud tomu tak není, znovu jej vypněte a po jedné hodině operaci zopakujte. Pokud přístroj stále nefunguje správně ani po provedení kontrol uvedených

v průvodci řešením problémů a po opětovném zapnutí přístroje, obraťte se na autorizované servisní středisko a jasně vysvětlíte problém a uvedte:

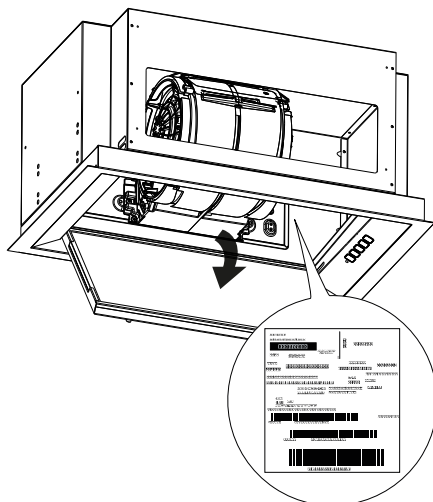
- typ poruchy;
- model;
- typ a výrobní číslo přístroje (uvedené na štítku).

Technické údaje

		Jednotka	Hodnota
Typ výrobku			Integrovaná digestoř
Rozměry	Šířka	mm	599
	Hloubka	mm	358
	Výška min./max.	mm	290
Maximální průtok vzduchu* - Vypouštění		m ³ /h	450
Maximální hladina hluku* - Vypouštění		dBA	55

Maximální průtok vzduchu* - Recirkulace		m ³ /h	250
Maximální hladina hluku* - Recirkulace		dBA	66
Celkový výkon		W	144
Informace o žárovce	Typ		LED lišta
	Počet a výkon		3,8 W
	Přípojka		N/D
Minimální instalační výška - plynová varná deska		mm	650
Minimální instalační výška - elektrická varná deska		mm	500
Čistá hmotnost		kg	8
* Maximální rychlost (bez intenzivního nastavení)			

Tento přístroj byl navržen, vyroben a uveden na trh v souladu se směrnicemi EHS **CE**.
 Technické údaje najdete na výrobním štítku na vnitřní straně přístroje.



Energetická účinnost

Informace o výrobku podle nařízení EU č. 66/2014	Jednotka	Hodnota
Název dodavatele	IKEA	
Identifikace modelu	MÅNGSBO 906.091.16 106.176.10 906.176.11	
Roční energetická účinnost	kWh/a	26,9
Koeficient nárůstu v čase		0,5
Fluidní dynamická účinnost		40,5
Ukazatel energetické účinnosti		29,9
Průtok vzduchu měřený v bodě nejvyšší účinnosti	m ³ /h	410
Tlak vzduchu měřený v bodě nejvyšší účinnosti	Pa	469
Maximální průtok vzduchu	m ³ /h	450
Elektrické napájení měřené v bodě nejvyšší účinnosti	W	132
Jmenovitý výkon osvětlovacího systému	W	3,8
Průměrné osvětlení osvětlovacího systému varné desky	Lux	275
Spotřeba proudu měřená v pohotovostním režimu	W	0,49
Spotřeba proudu měřená ve vypnutém režimu	W	0,0
Hladina hluku při maximální rychlosti (bez intenzivního nastavení)	dba	66

Referenční normy:

EN/IEC 61591
EN/IEC 60704-1
EN/IEC 60704-2-13
EN/IEC 60704-3
EN 50564


Energetická úspora

Přístroj je vybaven funkcemi, které pomáhají šetřit energii při každodenním vaření.

Environmentální aspekty

Likvidace domácích spotřebičů




Symbol  na výrobku nebo jeho obalu označuje, že výrobek nesmí být likvidován spolu s běžným domácím odpadem. Výrobek musí být zlikvidován ve středisku specializovaném na recyklaci elektrických a elektronických součástí. Zajištěním správné likvidace tohoto výrobku pomůžete zabránit možným negativním dopadům na životní prostředí a zdraví, které by jinak mohly vzniknout při nesprávné likvidaci. Podrobnější informace o recyklaci tohoto výrobku získáte

u místních úřadů, místní služby nakládání s odpady nebo v obchodě, kde jste výrobek zakoupili.

Přístroj je v souladu se směrnicí 2012/19/EU o omezení používání některých nebezpečných látek v elektrických a elektronických zařízeních a likvidaci odpadu.

Likvidace obalových materiálů

Materiály se symbolem  jsou recyklovatelné. Obalové materiály odkládejte do speciálních sběrných nádob určených k recyklaci.

Záruka IKEA

Jak dlouho je platná záruka IKEA?

Tato záruka je platná pět (5) let od původního data zakoupení přístroje v IKEA. Původní účtenka je nezbytná jako doklad o nákupu. Oprava provedená v záruce neprodlužuje záruční dobu přístroje.

Kdo poskytuje servis?

Servis zákazníkům bude zaručen poskytovatelem služeb jmenovaným společností IKEA prostřednictvím vlastní organizace nebo vlastní sítě autorizovaných servisních partnerů.

Na co se vztahuje záruka?

Záruka se vztahuje na případné závady spojené s materiály nebo konstrukcí přístroje a je platná ode dne nákupu přístroje v prodejně IKEA. Záruka se vztahuje pouze na přístroje určené pro použití v domácnosti. Výjimky jsou popsány v bodě „Na co se nevztahuje záruka?“. Během záruční doby hradí náklady na opravu (náhradní díly, práce a cestovné technického personálu) zákaznický servis za předpokladu, že přístup k přístroji za účelem opravy nevyžaduje žádné zvláštní náklady. Tyto podmínky jsou v souladu se směrnicemi UE (Č. 99/44/ES) a s místními aplikovatelnými normami a právními

předpisy. Vyměněné součástky se stanou vlastnictvím IKEA.

Jak IKEA zasáhne, aby vyřešila problém?

Poskytovatel technického servisu určený společností IKEA výrobek přezkoumá a podle vlastního uvážení rozhodne, zda se na výrobek vztahuje záruka. V takovém případě poskytovatel služeb IKEA nebo jeho autorizovaný servisní partner podle vlastního uvážení vadný výrobek buď opraví, nebo jej vymění za výrobek stejné nebo rovnocenné hodnoty.

Na co se nevztahuje záruka?

- Běžné opotřebení.
- Škody způsobené úmyslně nebo z nedbalosti, škody způsobené nedodržáním návodu k obsluze, nesprávnou instalací nebo připojením k nesprávnému napětí, škody způsobené chemickými nebo elektrochemickými reakcemi, rzi, korozí nebo poškozením vodou, mimo jiné včetně škod způsobených nadměrným usazováním vodního kamene ve vodovodním potrubí, a škody způsobené povětrnostními a přírodními vlivy.
- Součástky, které podléhají opotřebení, jako např. baterie a žárovky.
- Dekorativní a nefunkční části, které nemají

vliv na běžné používání přístroje, včetně škrábanců a změn barvy.

- Náhodné poškození způsobené cizími látkami nebo tělesy a čištění nebo uvolnění filtrů, odvodňovacích systémů nebo zásobníků na čisticí prostředky.
- Poškození dílů, jako je sklokeramika, příslušenství, koše na nádobí a příbory, přírodní a odtokové trubky, těsnění, žárovky a jejich kryty, zástěny, knoflíky, obložení a části obložení, pokud nelze prokázat, že toto poškození bylo způsobeno výrobní vadou.
- Případy, kdy při návštěvě technika nebyly zjištěny žádné závady.
- Opravy, které neprovedl poskytovatel servisu určený společností IKEA nebo autorizovaný servisní partner, nebo opravy, při kterých byly použity neoriginální díly.
- Opravy způsobené nesprávnou instalací nebo instalací, která není v souladu se specifikacemi.
- Použití přístroje v jiném než domácím prostředí, např. pro profesionální použití.
- Škody způsobené přepravou. V případě přepravy, kterou provádí zákazník do svého bydliště nebo na jinou adresu, IKEA nebude odpovědná za případné škody, k nimž dojde během této přepravy. Jestliže přepravu na adresu zákazníka bude provádět společnost IKEA, na případné škody způsobené během přepravy se bude vztahovat tato záruka.
- Počáteční náklady na instalaci přístroje IKEA. Pokud však poskytovatel servisu jmenovaný společností IKEA nebo autorizovaný servisní partner společnosti IKEA provede opravu nebo výměnu zařízení v rámci záruky, musí poskytovatel servisu nebo autorizovaný servisní partner v případě potřeby zajistit také opětovnou instalaci opraveného zařízení nebo instalaci náhradního zařízení.

Tato omezení se netýkají prací odborně provedených kvalifikovaným personálem s použitím originálních náhradních dílů, jejichž cílem je přizpůsobení přístroje bezpečnostním předpisům jiné země EU.

Použitelnost vnitrostátních právních předpisů

Záruka IKEA zákazníkovi poskytuje, kromě práv daných zákonem, která mohou být v různých zemích různá, specifická zákonná práva. Nicméně, tyto podmínky nijak neomezují práva spotřebitele stanovená místními zákony.

Oblast platnosti

U přístrojů zakoupených v jedné ze zemí EU a přenesených do jiné země EU budou služby poskytovány podle záručních podmínek platných v nové zemi. Povinnost poskytovat služby v souladu se záručními podmínkami existuje pouze tehdy, pokud přístroj splňuje a je instalován v souladu se záručními podmínkami:

- technické specifikace země, ve které se požaduje uplatnění záruky;
- bezpečnostní informace v návodu k použití.

Poprodejní servis elektrospotřebičů IKEA:

Neváhejte se obrátit na poprodejní servis IKEA kvůli:

1. vyžádání servisu v rámci záruky;
2. požádat o vysvětlení ohledně instalace přístrojů IKEA do konkrétního kuchyňského nábytku IKEA. Servisní oddělení neposkytuje servis nebo informace k:
 - instalaci kompletních kuchyní IKEA;
 - elektrická připojení (pokud je přístroj dodáván bez kabelů a zástrček), vodovodní připojení a připojení k plynovému systému, které musí provést autorizovaný servisní technik.

3. Žádosti o vysvětlení obsahu uživatelské příručky a specifikací přístroje IKEA.

Aby byl zajištěn co nejlepší servis, než nás budete kontaktovat, přečtěte si pozorně montážní návod a/nebo návod k použití.

Jak nás kontaktovat v případě, že potřebujete náš zásah



Úplný seznam poskytovatelů servisu IKEA a jejich národní telefonní čísla naleznete na poslední straně tohoto návodu.

Důležité! Pro zajištění rychlejšího servisu doporučujeme používat telefonní čísla uvedená na konci tohoto návodu. Při volání o pomoc se vždy řiďte specifickými kódy přístroje, které najdete v tomto návodu. Než

nás kontaktujete, ujistěte se, že máte po ruce kód výrobku IKEA (8 číslic) přístroje, pro který požadujete servis.

Důležité! USCHOVEJTE SI ÚČTENKU!

Jedná se o doklad o koupi, který je nutné předložit, abyste mohli využít záruky. Na účtence je také uveden název a (8místný) kód každého vámi zakoupeného přístroje IKEA.

Potřebujete další pomoc?

Pro jakékoli další otázky, které se netýkají poprodejního zákaznického servisu vašich přístrojů. Kontaktujte prosím naše nejbližší call centrum obchodů IKEA. Předtím, než nás budete kontaktovat, doporučujeme si pozorně přečíst dokumentaci přístroje.

Zawartość

Informacje dotyczące bezpieczeństwa	197	Co zrobić gdy...	205
Informacje ogólne	201	Dane techniczne	205
Opis produktu	202	Efektywność energetyczna	207
Panel sterowania	202	Aspekty środowiskowe	208
Ogólne wskazówki	203	Gwarancja IKEA	208
Czyszczenie i konserwacja	203		

Informacje dotyczące bezpieczeństwa

i Dla zapewnienia własnego bezpieczeństwa oraz prawidłowego działania urządzenia, przed przystąpieniem do instalacji oraz użytkowania, należy uważnie przeczytać niniejszą instrukcję. Instrukcje należy zawsze przechowywać wraz z urządzeniem, również w przypadku sprzedaży lub przekazania go osobom trzecim. Ważne jest, aby wszyscy użytkownicy znali wszystkie zasady działania i bezpieczeństwa urządzenia.

! Podłączenie przewodów musi być wykonane przez wykwalifikowanego technika.

- Producent uchyła się od jakiegokolwiek odpowiedzialności za ewentualne szkody powstałe na skutek niewłaściwie wykonanej instalacji lub niewłaściwego użytkowania.
- Minimalna odległość bezpieczeństwa między płytą grzejną a okapem ssącym wynosi 500 mm dla okapów zainstalowanych nad elektryczną płytą grzejną i 650 mm dla okapów zainstalowanych nad gazową płytą grzejną.
- Należy przestrzegać wskazań podanych w instrukcji instalacji płyty gazowej, w przypadku gdy odległość w nich określona

jest większa niż ta podana powyżej.

- Sprawdzić, czy napięcie sieciowe odpowiada wartości wskazanej na tabliczce znamionowej na okapie.
- Wyłączniki sekcyjne należy zainstalować w instalacji stacjonarnej, zgodnie z przepisami dotyczącymi systemów okablowania.
- W przypadku urządzeń Klasy I należy sprawdzić, czy domowa sieć zasilająca posiada odpowiednie połączenie z masą.
- Podłączyć okap do komina za pomocą rury o średnicy minimalnie 150 mm. Ścieżka pokonywana przez dymu musi być możliwie jak najkrótsza.
- Należy przestrzegać wszystkim norm dotyczących odprowadzania powietrza.
- Nie podłączać okapu ssącego do przewodów kominowych do transportu gazów spalinowych (na przykład, kotłów, kominów, itp.).
- Jeżeli okap jest używany w połączeniu z urządzeniami nieelektrycznymi (np. urządzenia gazowe), w pomieszczeniu należy zapewnić wystarczający poziom wentylacji, aby zapobiec przepływowi zwrotnemu gazów odlotowych. W przypadku gdy okap kuchenny jest używany w połączeniu z kuchenkami nieelektrycznymi, podciśnienie w pomieszczeniu nie może przekraczać 4 Pa, aby zapobiec powrotowi dymów do pomieszczenia.
- Powietrze nie może być odprowadzane przez przewód używany do rozładunków dymów z urządzeń spalających zasilanych gazem lub innymi paliwami.
- Jeżeli kabel zasilający ulegnie uszkodzeniu, musi on zostać wymieniony przez producenta lub jego serwisanta.
- Wtyczkę należy podłączyć do gniazdka odpowiedniego typu zgodnie z obowiązującymi normami oraz w miejscu łatwo dostępnym.

- Aby zapewnić prawidłowe odprowadzanie dymów należy dokładnie przestrzegać norm technicznych i bezpieczeństwa obowiązujących na poziomie lokalnym.

⚠ OSTRZEŻENIE: przed zainstalowaniem okapu usunąć folię ochronną.

- Używać wyłącznie śrub i mocowań o typie odpowiednim dla okapu.

⚠ OSTRZEŻENIE: Brak śrub lub elementu osprzętu zgodnych z instrukcją może być przyczyną porażenia prądem.

- Okap należy połączyć z domową instalacją elektryczną za pomocą wyłącznika dwubiegunowego, w którym odległość między stykami musi wynosić co najmniej 3 mm.
- Nie należy na nią patrzeć za pomocą narzędzi optycznych (lornetka, szkło powiększające...).
- Nie przygotowywać płonących potraw „al flambé” pod okapem: może to spowodować zagrożenie pożarem.
- Przedmiotowe urządzenie może być używane przez dzieci w wieku powyżej 8 lat oraz osoby o ograniczonych zdolnościach psychofizycznych i czuciowych lub nieposiadające odpowiedniego doświadczenia lub wiedzy pod warunkiem, że pozostają one pod kontrolą i zostały poinstruowane w zakresie bezpiecznego używania urządzenia i powiązanych zagrożeń. Należy upewnić się, że dzieci nie będą bawiły się urządzeniem. Czyszczenie i konserwacja urządzenia nie powinny być wykonywane przez dzieci, chyba że są one nadzorowane.
- Dzieci nie należy zostawiać bez nadzoru i nie należy im zezwalać na zabawę urządzeniem.
- Urządzenie nie może być używane przez osoby (i dzieci) o ograniczonych zdolnościach psychofizycznych i czuciowych lub o nieposiadające odpowiedniego doświadczenia lub wiedzy, chyba że pozostają pod kontrolą i zostały odpowiednio po-

uczone.

⚠ Części niechronione mogą osiągać bardzo wysokie temperatury w czasie używania urządzeń do gotowania

- Oczyszczyć i/lub wymienić filtry po wskazanym okresie czasu (zagrożenie pożarem).
- W pomieszczeniu należy zapewnić odpowiednią wentylację w czasie jednoczesnego używania okapu i urządzeń używających gazu lub innych paliw (nie dotyczy urządzeń, które odprowadzają wyłącznie powietrze obecne w pomieszczeniu).
- Okapy i inne kuchenne urządzenia wyciągowe, w związku z przepływem wstecznym gazów odlotowych, mogą oddziaływać na bezpieczne funkcjonowanie urządzeń, które spalają gaz lub inne paliwa (łącznie z tymi znajdującymi się w innych pomieszczeniach). Gazy te mogą spowodować zatrucie tlenkiem węgla. Po zainstalowaniu okapu lub innego kuchennego urządzenia wyciągowego, należy się upewnić, że urządzenia spalające gaz zostaną przetestowane przez osobę wykwalifikowaną, tak aby uniemożliwić powstanie przepływu wstecznego gazów odlotowych.

Informacje ogólne

Użytkowanie

- Przed rozpoczęciem czyszczenia lub prac konserwacyjnych wyłączyć urządzenie lub odłączyć je od źródła zasilania elektrycznego.
- Na okapie nie należy stawiać żadnych przedmiotów.
- Okap ssący jest przeznaczony wyłącznie do usuwania zapachów kuchennych w warunkach domowych.
- W żadnym wypadku nie używać okapu ssącego do celów innych niż te, do których został zaprojektowany.
- Nigdy nie pozostawiać dużego ognia pod działającym okapem kuchennym.
- Intensywność płomienia palnika regulować tak, aby znajdował się wyłącznie pod naczyнием do gotowania i nie obejmował brzożógów.
- Nie zostawiać urządzeń kuchennych do smażenia w głębokim tłuszczu bez nadzoru podczas użytkowania: przegrzany olej może się zapalić.

Instalacja

Okap został zaprojektowany do montażu i użytkowania w wersji „ssącej” lub w „wersji z recyrkulacją powietrza”.



Wersja ssąca (patrz symbol w instrukcji montażu)

Opary z gotowania są zasysane i odprowadzane na zewnątrz budynku za pomocą rury odprowadzającej (nie w zestawie) zainstalowanej na wylocie pary z okapu. Sprawdzić, czy rura odprowadzająca jest prawidłowo zainstalowana na wylocie powietrza, przy użyciu odpowiedniego systemu połączeń.



Wersja z recyrkulacją powietrza (patrz symbol w instrukcji montażu)

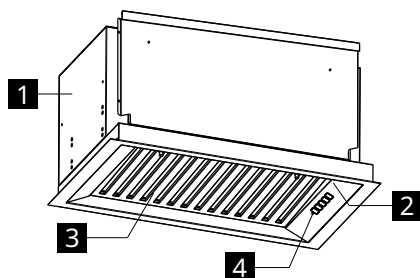
Powietrze jest filtrowane przez jeden lub więcej filtrów, a następnie kierowane z powrotem do pomieszczenia.

Ważne: Upewnić się, że wokół okapu jest prawidłowa cyrkulacja powietrza.

Ważne: Jeżeli okap nie zawiera w zestawie filtrów węglowych, należy je zamówić i zamontować przed użyciem urządzenia. Filtry są dostępne w sprzedaży.


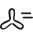



Okap należy instalować z dala od miejsc szczególnie zabrudzonych, okien, drzwi i źródeł ciepła. Akcesoria do montażu ściennego nie są zawarte w zestawie, gdyż różnią się w zależności od materiału ściany. Używać systemu mocowania odpowiednie do ścian w domu i ciężaru urządzenia. Aby uzyskać bardziej szczegółowych informacji, należy skontaktować się ze sprzedawcą. Niniejszą instrukcję należy zachować do wykorzystania w przyszłości.

Opis produktu



- 1 Korpus okapu
- 2 Oświetlenie
- 3 Filtr przeciwtłuszczowy
- 4 Panel sterowania

Panel sterowania

		 A	 B	 C	 D	 E
Przycisk	Naciśnięcie na przycisk	Funkcja				LED
A	Krótkie	Włączenie/wyłączenie silnika na pierwszej prędkości.				Włączona/Wyłączona
B	Krótkie	Uruchamia silnik na drugiej prędkości. Należy nacisnąć na przycisk A .				A + B są włączone
C	Krótkie	Uruchamia silnik na trzeciej prędkości. Należy nacisnąć na przycisk A .				A + C są włączone
D	Krótkie	Włączenie silnika z prędkością intensywną. Prędkość ta uruchamia się na czas równy 6 minutom. Po upływie tego czasu, system automatycznie powraca do wcześniej ustawionej prędkości. Jeżeli prędkość ta została aktywowana przy silniku wyłączonym, wówczas urządzenie wyłączy się całkowicie. Aby ją wyłączyć, wcisnąć przycisk A, B lub C. Należy wybrać przycisk A .				A Włączona D Migająca
E	Krótkie	Włączenie i wyłączenie oświetlenia z maksymalną intensywnością.				Włączona/Wyłączona
	Dłgie	Zwiększa lub zmniejsza natężenie oświetlenia.				Włączona/Wyłączona

Ogólne wskazówki

- Po rozpoczęciu gotowania ustawić minimalną prędkość okapu i utrzymać ją przez kilka minut po zakończeniu gotowania.
- Prędkość zwiększać tylko w przypadku dużej ilości dymu/pary. Prędkość intensywną (prędkości intensywne) aktywować wyłącznie w sytuacjach wyjątkowych.
- W celu zachowania skuteczności eliminowania zapachów filtr lub filtry węglowe należy regularnie wymieniać.
- W celu zachowania skuteczności eliminowania tłuszczu filtr lub filtry przeciw tłuszczowe należy regularnie czyścić.
- W celu zoptymalizowania wydajności i zredukowania hałasu do minimum zastosować przewody rurowe o maksymalnej średnicy, wskazanej w niniejszej instrukcji obsługi.

Czyszczenie i konserwacja

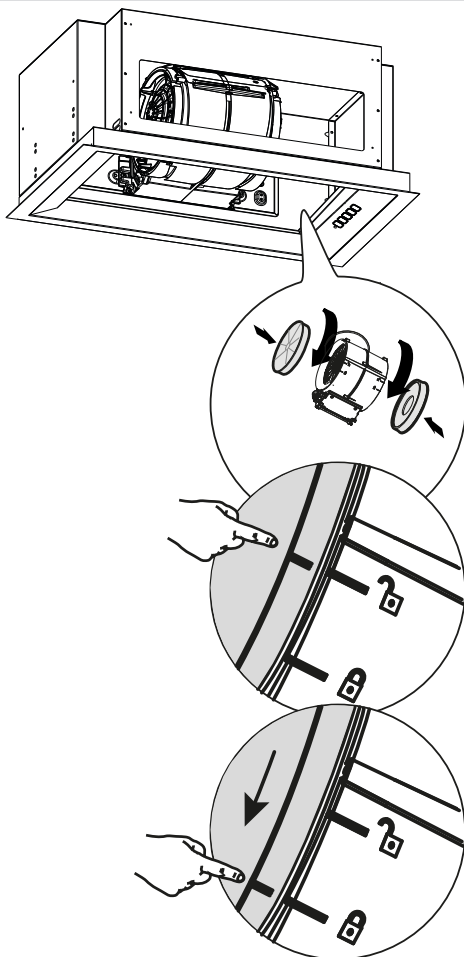


Przed rozpoczęciem prac konserwacyjnych wyłączyć urządzenie lub odłączyć je od źródła zasilania elektrycznego.

WAŻNE: Okap należy czyścić wilgotną szmatką i neutralnym płynnym do mycia.

Filtr węglowy o długotrwałym działaniu (Zielony)

Filtr antyzapachowy można myć oraz regenerować co 3-4 miesiące (lub częściej w przypadku intensywnego użytkowania okapu), maksymalnie do 8 cykli regeneracji (w przypadku użytkowania szczególnie intensywnego zaleca się nie przekraczać 5 cykli).



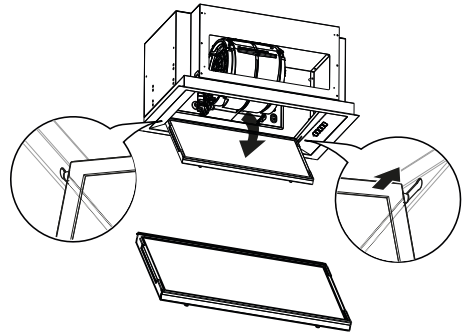
Procedura regeneracji

- Umyć w zmywarce w temperaturze MAKS. 70° lub ręcznie w gorącej wodzie nie używając myjek ściernych (nie używać detergentów!).
- Wysuszyć w piekarniku w temperaturze MAKS. 70° przez 2 godziny (zaleca się uważnie przeczytać instrukcję obsługi oraz instalacji danej kuchenki).

Filtr przeciw tłuszczowy

Kontynuować czyszczenie lub wymieniać filtry ze wskazaną częstotliwością, aby utrzymać okap w dobrym stanie funkcjonalnym i uniknąć ryzyka pożaru związanego z nadmierną kumulacją tłuszczu. Filtry przeciw tłuszczowe należy myć co 2 miesiące

lub częściej w razie użytkowania szczególnie intensywnego, można je myć w zmywarce.



Wymiana żarówek

Aby dokonać wymiany skontaktować się z Autoryzowany Centrum Serwisowym.

Co zrobić gdy...

W razie wystąpienia usterki, przede wszystkim należy podjąć próbę samodzielnego rozwiązania problemu. Jeśli problemu nie można rozwiązać samodzielnie należy skontaktować się z Autoryzowanym Centrum Serwisowym.

i W przypadku niewłaściwego użytkowania urządzenia lub montażu wykonanego niezgodnie z instrukcją, możliwa będzie konieczność pokrycia kosztów interwencji Autoryzowanego Centrum Serwisowego, również w trakcie obowiązywania gwarancji.

PROBLEM	MOŻLIWA PRZYCZYNA	ROZWIĄZANIE
Urządzenie nie jest stabilne.	Urządzenie nie jest zainstalowane prawidłowo.	Postępować zgodnie z instrukcjami instalacji załączonymi do urządzenia.
Urządzenie nie jest wyrównane.	Urządzenie nie jest zainstalowane prawidłowo.	Postępować zgodnie z instrukcjami instalacji załączonymi do urządzenia.
Wydajność przechwycenia tłuszczów nie jest wystarczająca.	Obecność oleju i smaru na filtrach metalowych lub na filtrach węglowych.	Filtry oczyszczać zgodnie ze wskazaną częstotliwością, jak opisano w instrukcji obsługi.
Urządzenie nie działa.	Urządzenie nie jest podłączone prawidłowo.	Sprawdzić, czy kabel sieciowy jest podłączony do zespołu silnika lub czy wtyczka jest włożona do gniazdka.
Światło nie działa.	Dioda LED uległa uszkodzeniu.	Aby dokonać wymiany skontaktować się z Autoryzowanym Centrum Serwisowym.
Okap wytwarza nadmierny hałas, większy niż poziom oczekiwany przez klienta.	Średnica naściennego wylotu powietrza jest za mała, co powoduje straty ciśnienia i wzrost prędkości silnika.	Postępować zgodnie z instrukcjami instalacji załączonymi do urządzenia.
	Produkt jest zainstalowany w trybie recyrkulacji.	Produkt jest w trybie recyrkulacji (z zamontowanym filtrem węglowym) wytwarza wyższy poziom hałasu niż produkt w trybie wyciągu.
	Przewód wentylacyjny zainstalowany z więcej niż jednym zakrętem.	Jeżeli na systemie odprowadzania dymów znajdującym się w budynku znajduje się duża ilość zakrętów lub jeżeli rozciąga się on na dużej odległości, w czasie funkcjonowania produkt może wytwarzać wyższy poziom hałasu.

Przed skontaktowaniem się z Autoryzowanym Centrum Serwisowym:

Ponownie włączyć urządzenie, aby sprawdzić, czy problem został rozwiązany. Jeśli tak się nie stało, ponownie wyłączyć urządzenie i włączyć po upływie godziny. W przeciwnym razie wyłączyć go ponownie i powtórzyć czynność po upływie godziny. Jeśli urządzenie nadal nie działa w prawidłowy sposób, po

przeprowadzeniu kontroli wskazanych w rozdziale dotyczącym rozwiązywania problemów oraz po jego ponownym włączeniu skontaktować się z Autoryzowanym Centrum Serwisowym, dokładnie opisując problem i podając następujące informacje:

- rodzaj usterki;
- model;
- typ i numer seryjny urządzenia (patrz: tabliczka znamionowa).

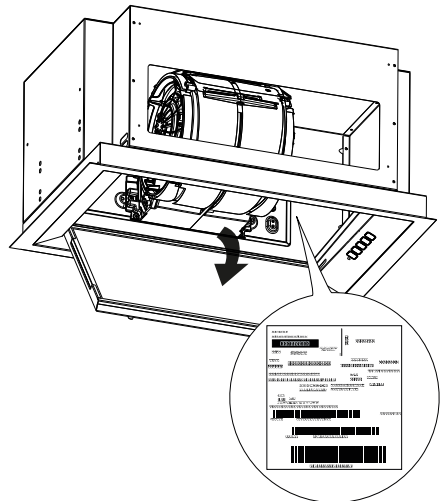
Dane techniczne

	Jednostka	Wartość
Typ produktu		Z wbudowanym wyciągiem

Wymiary	Szerokość	mm	599
	Głębokość	mm	358
	Wysokość min./maks.	mm	290
Przepływ powietrza maks* - Odpływ		m ³ /h	450
Maks. poziom hałasu - Wylot		dBA	55
Maks. natężenie przepływu powietrza* - Recyrkulacja		m ³ /h	250
Maks poziom hałasu* - Recyrkulacja		dBA	66
Moc całkowita		W	144
Informacje dotyczące lampki	Typ		Listwa LED
	Numer i moc		3,8 W
	Przyłącze		N/D
Minimalna wysokość montażu – gazowe płyty kuchenne		mm	650
Minimalna wysokość montażu – elektryczne płyty kuchenne		mm	500
Ciężar netto		kg	8
Maksymalna prędkość (bez trybu intensywnego)			

Urządzenie zostało zaprojektowane, wyprodukowane oraz wprowadzone do obrotu zgodnie z Dyrektywami EWG **CE**.

Dane techniczne umieszczono na tabliczce znamionowej zainstalowanej wewnątrz urządzenia.



Efektywność energetyczna

Informacje dotyczące produktu zgodnie z rozporządzeniem UE nr 66/2014	Jednostka	Wartość
Nazwa producenta	IKEA	
Identyfikacja modelu	MÅNGSBO 906 091.16 106 176.10 906 176.11	
Roczne zużycie energii	kWh/a	26,9
Współczynnik wzrostu w czasie		0,5
Wydajność przepływu dynamicznego		40,5
Wskaźnik wydajności energetycznej		29,9
Przepływ powietrza mierzony w punkcie o najlepszej wydajności	m ³ /h	410
Ciśnienie powietrza mierzone w punkcie o najlepszej wydajności	Pa	469
Maksymalne natężenie przepływu	m ³ /h	450
Zasilanie elektryczne mierzone w punkcie o najlepszej wydajności	W	132
Moc znamionowa systemu oświetleniowego	W	3,8
Średnie oświetlenie systemu nakierowane na płytę kuchenną	luks	275
Zużycie prądu zmierzone w trybie stand-by	W	0,49
Zużycie prądu zmierzone w trybie wyłączenia	W	0,0
Poziom hałasu na maksymalnej prędkości (za wyjątkiem prędkości intensywnej)	dba	66

Zgodność z normami:

EN/IEC 61591
EN/IEC 60704-1
EN/IEC 60704-2-13
EN/IEC 60704-3
EN 50564


Energooszczędność

Urządzenie zostało skonstruowane w sposób umożliwiający codzienną oszczędność energii w trakcie gotowania.

Aspekty środowiskowe

Utylizacja urządzeń gospodarstwa domowego




Symbol  umieszczony na produkcie lub na jego opakowaniu oznacza, że nie można go wyrzucać razem ze zwykłymi odpadami pochodzącymi z gospodarstwa domowego. Produkt musi być przekazany do centrum specjalizującego się w recyklingu komponentów elektrycznych i elektronicznych. Używając produkt w sposób właściwy, przyczyniasz się do zapobiegania ewentualnym ujemnym wpływom na środowisko naturalne oraz na zdrowie ludzi, które mogłyby powstać w wyniku niewłaściwej utylizacji. Szczegółowe

informacje na temat recyklingu tego produktu można uzyskać w urzędach miasta/gminy, lokalnych instytucjach zajmujących się likwidacją odpadów lub w sklepie, w którym produkt został zakupiony.

Urządzenie spełnia wymogi Dyrektywy 2012/19/UE dotyczącej redukcji substancji niebezpiecznych stosowanych w urządzeniach elektrycznych i elektronicznych oraz usuwania odpadów.

Usuwanie materiałów opakowaniowych

Materiały z symbolem  nadają się do ponownego przetworzenia. Materiały opakowaniowe należy wyrzucić do pojemników na odpady przeznaczone do recyklingu.

Gwarancja IKEA

Jak długo zachowuje ważność gwarancja firmy IKEA?

Niniejsza gwarancja jest udzielana na okres pięciu (5) lat od daty zakupu urządzenia w sklepie IKEA. Należy zachować oryginał dowodu zakupu. Naprawa wykonywana w ramach gwarancji nie powoduje przedłużenia okresu gwarancji urządzenia.

Kto zapewnia pomoc techniczną?

Serwis techniczny będzie gwarantowany przez autoryzowanego dostawcę IKEA, poprzez organizację własną lub sieć autoryzowanych partnerów.

Co obejmuje gwarancja?

Gwarancja obejmuje ewentualne wady materiałowe lub konstrukcyjne urządzenia i jest ważna od daty zakupu urządzenia w jednym ze sklepów IKEA. Gwarancja zachowuje swoją ważność wyłącznie dla urządzeń przeznaczonych do użytku domowego. Wyjątki zostały wskazane w rozdziale „Czego nie obejmuje gwarancja?”. W okresie gwarancyjnym koszty naprawy (części zamienne, robocizna, podróz personelu

technicznego) są pokrywane przez dział serwisowy, pod warunkiem, że dostęp do urządzenia w celu dokonania interwencji naprawy nie wiąże się z poniesieniem dodatkowych kosztów. Warunki te są zgodne z postanowieniami dyrektywy UE (nr 99/44/WE) i z lokalnymi normami i rozporządzeniami mającymi zastosowanie. Wymienione części pozostaną do dyspozycji IKEA.

Jakie działania podejmie IKEA w celu rozwiązania problemu?

Dostawca usług serwisowych upoważniony przez IKEA zbada produkt i zdecyduje, wedle własnego uznania, czy zostanie on naprawiony w ramach gwarancji. W przypadku decyzji pozytywnej dostawca usług serwisowych upoważniony przez IKEA lub autoryzowany partner serwisowy, w swoich punktach serwisowych, wedle własnego uznania, dokona naprawy wadliwego produktu lub jego wymiany na inny taki sam produkt lub na produkt o takiej samej wartości.

Czego nie obejmuje gwarancja?

- Normalnego zużycia.
- Uszkodzeń spowodowanych w sposób celowy lub wynikających z zaniedbania, szkód wynikających z nieprzestrzegania instrukcji obsługi, nieprawidłowej instalacji lub z połączenia do niepoprawnego napięcia, szkód spowodowanych przez reakcje chemiczne lub elektrochemiczne, rdzę, korozję lub kontakt z wodą, łącznie z, między innymi, szkodami wynikającymi z nadmiernych temperatur osiąganych w przewodach wodociągowych, i szkód spowodowanych przez czynniki atmosferyczne i zjawiska naturalne.
- Części ulegających zużyciu, na przykład baterii i żarówek.
- Części dekoracyjnych i niefunkcjonalnych, które nie wpływają na normalne używanie urządzenia gospodarstwa domowego, łącznie z zarysowaniami i wahaniami ciepła.
- Szkód losowych spowodowanych przez substancje lub ciała obce i czyszczenie lub wyjmowanie filtrów, przez systemy odpływowe lub pojemniki na środki czyszczące.
- Uszkodzeń części jak: ceramika szklana, elementy wyposażenia dodatkowego, kołszki na naczynia i sztućce, rury zasilające i odpływowe, uszczelki, żarówki i odpowiednie oprawki, ekrany, uchwyty, wykończenia i elementy wykończeń, chyba że można uzasadnić, iż szkody powstały na skutek wad produkcyjnych.
- Przypadków, w których wady nie zostały stwierdzone przez interweniującego technika.
- Napraw, które nie zostały wykonane przez dostawców usług upoważnionych przez IKEA lub przez jego autoryzowanego partnera serwisowego lub napraw, do których użyto nieoryginalnych części zamiennych.
- Napraw wynikających z instalacji wykonanej w sposób nieprawidłowy lub niezgodny ze specyfikacjami.
- Używania urządzenia gospodarstwa domowego do użytku w środowisku nie domowym, na przykład do użytku profesjonalnego.
- Uszkodzeń spowodowanych w czasie trans-

portu. W przypadku transportu własnego klienta, pod adres własny lub inny, IKEA nie ponosi jakiegokolwiek odpowiedzialności za szkody powstałe w trakcie transportu. Jeśli transport pod adres klienta wykonywany jest przez IKEA, gwarancja obejmuje ewentualne szkody powstałe na jego skutek.

- Kosztów początkowej instalacji urządzenia IKEA. Jednakże, jeżeli dostawca usługi wyznaczony przez IKEA lub jego autoryzowany partner serwisowy wykona naprawę lub wymianę urządzenia w ramach gwarancji, dostawca lub autoryzowany partner serwisowy jest zobowiązany również do ponownego zainstalowania naprawionego urządzenia lub do zainstalowania urządzenia zamiennego, w przypadkach, gdzie jest to konieczne.

Ograniczenia te nie mają zastosowania w odniesieniu do prac, wykonanych zgodnie z zasadami dobrej praktyki, przez wykwalifikowany personel oraz z użyciem oryginalnych części zamiennych, mających na celu dostosowanie urządzenia do norm bezpieczeństwa obowiązujących w innym państwie UE.

Zastosowanie przepisów krajowych

Gwarancja IKEA, oprócz przepisów i praw obowiązujących w danym kraju, daje klientom określone uprawnienia dodatkowe. Warunki te w żaden sposób nie ograniczają praw konsumenta wynikających z lokalnie obowiązujących przepisów prawa.

Obszar ważności

W odniesieniu do urządzeń zakupionych w jednym z krajów UE i zainstalowanych w innym z krajów UE, usługa serwisowa będzie świadczona zgodnie z warunkami gwarancji obowiązującymi w kraju, w którym urządzenie zostało zainstalowane. Obowiązek udzielenia usługi serwisowej zgodnie z warunkami gwarancji ma zastosowanie pod warunkiem, że urządzenie spełnia określone wymagania i jest zainstalowane w sposób zgodny z:

- specyfikacjami technicznymi obowiązującymi w kraju, w którym wymagane jest zastosowanie gwarancji;

- informacjami dotyczącymi bezpieczeństwa wskazanymi w Instrukcji Obsługi.

Serwis posprzedażowy dla urządzeń gospodarstwa domowego IKEA:

Z serwisem posprzedażowym IKEA można się skontaktować w przypadku:

1. zamówienia pomocy technicznej w ramach obowiązującej gwarancji;
2. uzyskania wyjaśnień dotyczących instalacji urządzeń gospodarstwa domowego IKEA przeznaczonych do wbudowania do określonych modeli mebli kuchennych IKEA. Serwis nie udziela informacji i wyjaśnień dotyczących:

- instalacji kompletnych kuchni IKEA;
- podłączeń elektrycznych (w przypadku gdy urządzenie zostało dostarczone bez kabli i wtyczek), podłączeń hydraulicznych i podłączenia do instalacji gazowej, które muszą być wykonane przez upoważnionego technika.

3. treści i zawartości instrukcji obsługi lub specyfikacji urządzenia gospodarstwa domowego IKEA.

W celu zagwarantowania jak najwyższej jakości usług, przed skontaktowaniem się z naszym serwisem prosimy o uważne zapoznanie się z treścią Instrukcji montażu i/ lub Instrukcji obsługi.

Jak się z nami skontaktować, aby uzyskać pomoc



Kompletną listę i numery telefonów dostawców usług serwisowych IKEA wskazano na ostatniej stronie niniejszej instrukcji.

Ważne! Aby umożliwić jak najszybsze wykonanie usługi, zalecamy skorzystanie z numerów telefonów wskazanych na ostatniej stronie niniejszej instrukcji. Aby zamówić pomoc techniczną należy wskazać kody identyfikacyjne posiadanego urządzenia, które zostały podane w niniejszej instrukcji. Przed skontaktowaniem się z serwisem, należy mieć pod ręką kod produktu IKEA (8-cyfrowy) dotyczący urządzenia, dla którego chce się zamówić usługę.

Ważne! NALEŻY PRZECHOWAĆ PARAGON!

Stanowi on dowód zakupu i jest niezbędny, aby skorzystać z usług w okresie gwarancyjnym. Na paragonie wskazane są nazwa i (8-cyfrowy) kod zakupionego urządzenia IKEA.

W czym możemy jeszcze pomóc?

W celu uzyskania odpowiedzi na pytania nie związane z serwisem posprzedażowym sprzętu. Prosimy o kontakt z call center najbliższego sklepu IKEA. Przed skontaktowaniem się z nami, zalecamy uważne zapoznanie się z treścią dokumentacji dostarczonej wraz z urządzeniem.

Содержание

Информация о безопасности	211	Что делать, если...	218
Общая информация	215	Технические данные	219
Описание изделия	216	Энергоэффективность	221
Панель управления	216	Защита окружающей среды	222
Общие рекомендации	217	Гарантия IKEA	222
Очистка и техническое обслуживание	217		

Информация о безопасности

ⓘ Для вашей собственной безопасности и для правильной работы прибора, пожалуйста, внимательно прочитайте это руководство перед установкой и вводом в эксплуатацию. Всегда храните это руководство вместе с прибором, даже если он передан третьим лицам. Важно, чтобы пользователи знали все эксплуатационные и защитные функции устройства.

⚠ Подключения проводов должны выполняться исключительно квалифицированным персоналом.

- Производитель не может нести ответственность за любой ущерб, возникший в результате неправильной установки или использования.
- Минимальное безопасное расстояние между варочной поверхностью и вытяжкой составляет 500 мм для электрических плит и 650 мм для газовых плит.
- Если в инструкции по установке газовой варочной поверхности рекомендованное расстояние больше, чем указано выше, это нужно учитывать.
- Убедитесь, что электропитание соответствует указанному

на табличке с техническими данными, закрепленной внутри вытяжки.

- Устройства отключения должны быть установлены в стационарной системе в соответствии с нормами в области систем электропроводки.
- Для приборов класса I убедитесь, что домашняя сеть электропитания имеет соответствующее заземление.
- Соедините вытяжку с дымоходом трубой диаметром не менее 150 мм. Путь дымовых газов должен быть как можно короче.
- Необходимо соблюдать все правила, касающиеся отвода воздуха.
- Не подсоединяйте вытяжку к дымоходам, по которым проходят дымовые газы (например, от котлов, каминов и т. д.).
- Если вытяжка используется в сочетании с неэлектрическими приборами (например, газовыми), в помещении должна быть обеспечена достаточная степень вентиляции для предотвращения обратного потока отработавших газов. При использовании кухонной вытяжки в сочетании с приборами, не работающими от электричества, отрицательное давление в помещении не должно превышать 4 Па, чтобы пары не втягивались вытяжкой обратно в помещение.
- Воздух не должен направляться в канал, используемый для отвода дыма, образующегося в устройствах, сжигающих газ или другое топливо.
- Если кабель питания поврежден, его должен заменить производитель или представитель сервисного центра.
- Вставьте вилку в розетку, соответствующую действующим нормам и находящуюся в доступном месте.
- Что касается технических мер и мер безопасности, которые должны быть приняты для удаления дыма, важно неу-

коснительно соблюдать правила, установленные местными властями.

⚠ ПРЕДУПРЕЖДЕНИЕ: перед установкой вытяжки удалите защитные пленки.

- Используйте только винты и крепежные детали, соответствующие вытяжке.

⚠ ПРЕДУПРЕЖДЕНИЕ: отсутствие винтов и фиксирующих приспособлений в соответствии с этими инструкциями может привести к риску поражения электрическим током.

- Подключите вытяжку к электросети с помощью двухпозиционного выключателя с зазором между контактами не менее 3 мм.
- Не смотрите непосредственно через оптические приборы (бинокли, увеличительные линзы и т.д.).
- Не готовьте фламбированные блюда под вытяжкой: может возникнуть пожар.
- Этим прибором могут пользоваться дети в возрасте до 8 лет и люди с ограниченными психофизически-сенсорными способностями или с недостаточным опытом и знаниями, при условии, что они тщательно контролируются и проинструктированы о безопасном использовании прибора и об опасностях, которые это влечет за собой. Не разрешайте детям играть с прибором. Работы по очистке и обслуживанию, относящиеся к компетенции пользователя, нельзя поручать детям, которые находятся без присмотра.
- Следите за детьми, чтобы они не играли с прибором.
- Устройство не должно использоваться людьми (в том числе детьми) с ограниченными психо-физическими и сенсорными способностями или с недостаточным опытом и

знаниями, если они не находятся под тщательным наблюдением и не проинструктированы.

⚠ Доступные части могут сильно нагреваться при использовании кухонных приборов.

- Очистите и/или замените фильтры по истечении указанного срока (опасность возгорания).
- В помещении должна быть обеспечена достаточная вентиляция, если вытяжка используется одновременно с приборами, работающими на газе или другом топливе (не относится к приборам, выпускающим только воздух в помещение).
- Кухонные вытяжки и другие устройства для удаления кухонного дыма могут нарушить безопасную работу приборов, работающих на газе или другом топливе (в том числе расположенных в других средах), из-за обратного потока дымовых газов. Эти газы могут вызвать отравление монооксидом углерода. После установки вытяжки или любого другого вытяжного устройства убедитесь, что газовые приборы проверены компетентным лицом, чтобы убедиться в отсутствии обратного потока дымовых газов.

Общая информация

Использование

- Перед любой чисткой или техническим обслуживанием выключите или отсоедините прибор от источника питания.
- Вытяжку нельзя использовать в качестве опорной поверхности.
- Вытяжка была разработана исключительно для устранения запахов при приготовлении пищи в бытовых условиях.
- Никогда не используйте вытяжку для других целей, кроме тех, для которых она предназначена.
- Ни в коем случае не оставляйте сильное пламя под всасывающей вытяжкой во время ее работы.
- Отрегулируйте интенсивность пламени так, чтобы оно было направлено исключительно на дно емкости для приготовления пищи, следя за тем, чтобы оно не охватывало стенки емкости.
- Во время использования фритюрницы необходимо постоянно контролировать: перегретое масло может воспламениться.

Способ установки

Вытяжка предназначена для установки и использования в «варианте всасывания» или «варианте рециркуляции воздуха».



Версия со всасыванием (см. символ в инструкции по установке)

Кухонные пары всасываются и выводятся за пределы дома через выпускную трубу

(не входит в комплект), установленную на выходе пара из вытяжки. Убедитесь, что выпускная труба правильно установлена на выпускном отверстии для воздуха, используя подходящую систему соединения.



Версия с рециркуляцией (см. символ в инструкции по установке)

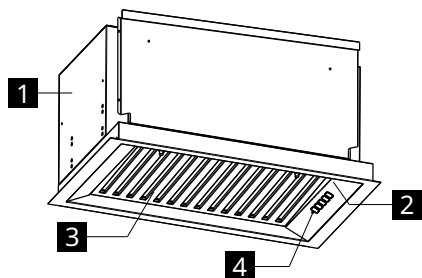
Воздух фильтруется через один или несколько фильтров, а затем возвращается в помещение.

Важно: Убедитесь, что вокруг вытяжки имеется надлежащая циркуляция воздуха.

Важно: Если вытяжка не поставляется с угольными фильтрами, их необходимо заказать и установить перед использованием прибора. Фильтры имеются в продаже.

Вытяжку необходимо устанавливать вдали от сильно загрязняемых мест, окон, дверей и источников тепла. Аксессуары для настенного крепления не включены в комплект поставки, так как они различаются в зависимости от материала стены. Используйте системы крепления, подходящие для стен вашего дома и веса прибора. Для получения более подробной информации обратитесь к уполномоченному дилеру. Сохраните эти инструкции для дальнейшего использования.

Описание изделия



- 1 Корпус вытяжки
- 2 Освещение
- 3 Жироулавливающий фильтр
- 4 Панель управления

Панель управления

		 A	 B	 C	 D	 E
Кнопка	Нажатие кнопки	Функция				Световой индикатор
A Скорость	Короткое	Запускает/останавливает двигатель на первой скорости.				Включено или выключено
B Скорость	Короткое	Запускает двигатель на второй скорости. Кнопка A должна быть нажата.				A + B включены
C Скорость	Короткое	Запускает двигатель на третьей скорости. Кнопка A должна быть нажата.				A + C включены
D Скорость	Короткое	Запускает двигатель на интенсивной скорости. Для этой скорости задано время действия 6 минут. По истечении времени система автоматически вернется к ранее установленной скорости. Если она активирована при выключенном двигателе, устройство возвращается в состояние ВЫКЛ по истечении установленного времени. Для ее выключения нажмите кнопку A, B или C . Кнопка A должна быть нажата.				A Горит D Мигает
E Освещение	Короткое	Включает и выключает систему освещения при максимальной интенсивности.				Включено или выключено
	Длительное	Увеличивает или уменьшает интенсивность освещения.				Включено или выключено

Общие рекомендации

- Включайте вытяжку на минимальную скорость в начале приготовления и оставьте ее включенной на несколько минут после окончания приготовления.
- Увеличивайте скорость только при наличии большого количества дыма и паров и используйте интенсивную(ые) скорость(и) только в крайнем случае.
- При необходимости замените угольный фильтр или фильтры для поддержания хорошей эффективности устранения запаха.
- При необходимости очищайте жироулавливающие фильтры, чтобы обеспечить хорошую эффективность поглощения жира.
- Используйте максимальный диаметр воздуховода, указанный в данном руководстве, для оптимизации эффективности и минимизации шума.

Очистка и техническое обслуживание

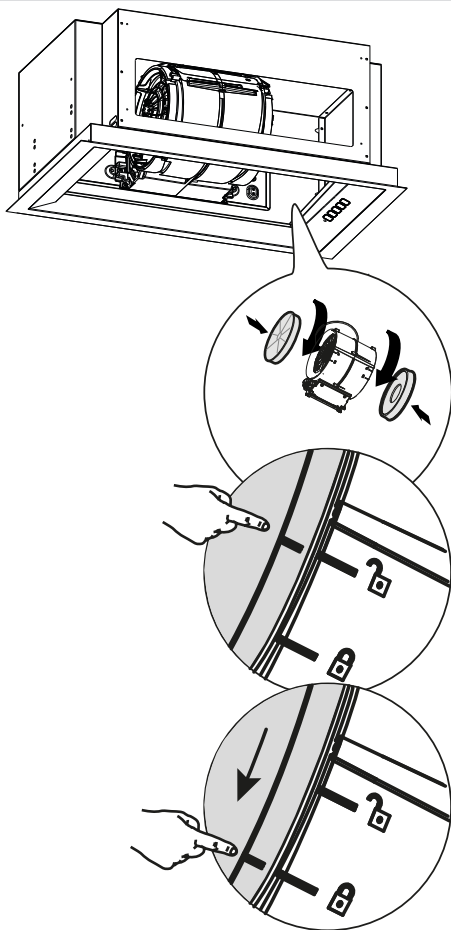


Перед любым техническим обслуживанием выключите или отсоедините прибор от источника питания.

ВАЖНО: Протрите вытяжку влажной тканью и нейтральным жидким моющим средством.

Угольный фильтр с длительным сроком службы (зеленый)

Фильтр против запахов можно мыть и регенерировать каждые 3-4 месяца (или чаще при интенсивном использовании вытяжки); допускаются максимум 8 циклов регенерации фильтра (в случае особенно интенсивного использования прибора рекомендуется восстанавливать фильтр не более 5 раз).



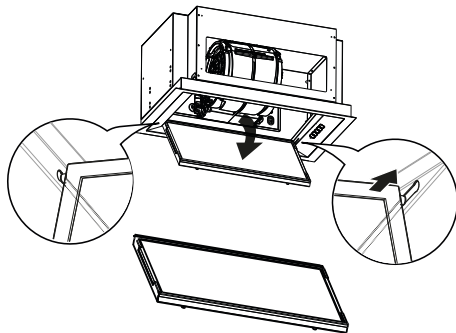
Порядок регенерации

- Помойте фильтр в посудомоечной машине при температуре МАКС. 70° или помойте его вручную горячей водой без использования царапающих губок (не пользуйтесь для этого моющими средствами!).
- Высушите фильтр в духовом шкафу при температуре МАКС. 70° в течение 2 часов (внимательно прочитайте руководство по эксплуатации и инструкции по монтажу вашего духового шкафа).

Жироулавливающие фильтры

Очищайте или заменяйте фильтры через указанные промежутки времени, чтобы поддерживать вытяжку в хорошем рабочем состоянии и избежать потенциального риска возгорания из-за чрезмерного накопления жира. Жироулавливающие фильтры необходимо

очищать каждые 2 месяца работы или чаще, в случае очень интенсивного использования; их можно мыть в посудомоечной машине.



Замена ламп

Для замены обратитесь в авторизованный сервисный центр.

Что делать, если...

При обнаружении неисправности сначала попытайтесь найти решение самостоятельно. Если вы не можете решить проблему самостоятельно, обратитесь в авторизованный сервисный центр.

i В случае ненадлежащего использования прибора или установки, выполненной без соблюдения инструкций по сборке, может потребоваться оплата визита техника из Авторизованного сервисного центра даже в течение срока действия гарантии.

НЕИСПРАВНОСТЬ	ВОЗМОЖНАЯ ПРИЧИНА	УСТРАНЕНИЕ
Устройство неустойчиво.	Устройство установлено неправильно.	Следуйте инструкциям по установке, прилагаемым к устройству.
Устройство не выставлено по уровню.	Устройство установлено неправильно.	Следуйте инструкциям по установке, прилагаемым к устройству.
Способность улавливания жира неудовлетворительна.	Наличие масла и жира на металлических фильтрах или угольных фильтрах.	Соблюдайте частоту очистки фильтров, как указано в руководстве пользователя.
Устройство не работает.	Устройство подключено неправильно.	Убедитесь, что сетевой кабель подключен к двигателю или вилка подключена к розетке.
Освещение не работает.	Светодиод сломан.	Для замены обратитесь в авторизованный сервисный центр.

Вытяжка шумнее, чем ожидал покупатель.	Диаметр вентиляционного отверстия в стене слишком мал, что приводит к падению давления и увеличению частоты вращения двигателя.	Следуйте инструкциям по установке, прилагаемым к устройству.
	Изделие установлено в режиме рециркуляции.	Изделие в режиме рециркуляции (и с установленным угольным фильтром) более шумное, чем в режиме всасывания.
	Вентиляционный канал имеет более одного изгиба.	Если система дымоудаления здания имеет несколько изгибов или большую протяженность, изделие может быть более шумным.

Перед тем, как обратиться в авторизованный сервисный центр:

Выключите и включите прибор, чтобы увидеть, исчезла ли проблема. Если нет, снова выключите его и повторите операцию через час. Если прибор по-прежнему не работает должным образом после выполнения проверок,

перечисленных в руководстве по поиску и устранению неисправностей, и повторного включения прибора, обратитесь в авторизованный сервисный центр, четко объяснив проблему и указав:

- тип неисправности;
- модель;
- тип и серийный номер прибора (указан на заводской табличке).

Технические данные

		Устрой-ство	Значение
Тип изделия			Встроенная вытяжка
Размеры	Ширина	мм	599
	Глубина	мм	358
	Мин/макс высота	мм	290
Расход воздуха макс.* - Выпуск		м3/ч	450
Макс. уровень шума - Выпуск		дБА	55
Расход воздуха макс.* - Рециркуляция		м3/ч	250
Макс. уровень шума* - Рециркуляция		дБА	66
Общая мощность		Вт	144
Данные лампы	Тип		Светодиодные панели
	Количество и мощность		3,8 Вт
	Соединение		Н/Д
Минимальная высота установки – газовая варочная поверхность		мм	650
Минимальная высота установки - электрическая варочная поверхность		мм	500
Вес нетто		кг	8
* Максимальная скорость (без интенсивной настройки)			

Энергоэффективность

Информация об изделии согласно Регламенту ЕС № 66/2014	Устройство	Значение
Название поставщика	IKEA	
Идентификатор модели	MÅNGSBO 906.091.16 106.176.10 906.176.11	
Годовое потребление энергии	кВтч/год	26,9
Коэффициент приращения времени		0,5
Гидродинамическая эффективность		40,5
Индекс энергетической эффективности		29,9
Расход воздуха, измеренный в точке наилучшей эффективности	м ³ /ч	410
Давление воздуха, измеренное в точке наилучшей эффективности	Па	469
Максимальный расход воздуха	м ³ /ч	450
Электропитание, измеренное в точке наибольшей эффективности	Вт	132
Номинальная мощность системы освещения	Вт	3,8
Средняя освещенность системы освещения на варочной панели	люкс	275
Потребляемый ток, измеренный в режиме ожидания	Вт	0,49
Потребляемый ток, измеренный в выключенном состоянии	Вт	0,0
Уровень звука на максимальной скорости (без интенсивной настройки)	дБА	66

Применимые стандарты:

EN/IEC 61591
EN/IEC 60704-1
EN/IEC 60704-2-13
EN/IEC 60704-3
EN 50564


Энергосбережение

Прибор оснащен функциями, которые помогают экономить энергию при ежедневном приготовлении пищи.

Защита окружающей среды

Утилизация бытовой техники




Символ  на изделии или его упаковке означает, что изделие нельзя утилизировать вместе с обычными бытовыми отходами. Изделие следует утилизировать в центре, специализирующемся на переработке электрических и электронных компонентов. Обеспечение правильной утилизации этого изделия поможет предотвратить возможные негативные последствия для окружающей среды и здоровья, которые, в противном случае, могли бы возникнуть в результате неправильной утилизации. Более

подробную информацию о переработке данного изделия вы можете получить в городской администрации, местном центре утилизации отходов или в магазине, где было приобретено изделие. Прибор соответствует директиве Евросоюза 2012/19/UE о сокращении опасных веществ, используемых в электрическом и электронном оборудовании, и о переработке отходов.

Утилизация упаковочного материала



Материалы с символом  пригодны для переработки. Утилизируйте упаковочные материалы в специальных сборных контейнерах для переработки.

Гарантия IKEA

Как долго действует гарантия IKEA?

Эта гарантия действительна в течение пяти (5) лет с даты первоначальной покупки устройства в IKEA. Оригинал чека необходим в качестве подтверждения покупки. Ремонт, выполненный по гарантии, не продлевает гарантийный срок устройства.

Кто оказывает техническую поддержку?

Обслуживание клиентов будет обеспечивать назначенный IKEA поставщик услуг через свою организацию или сеть авторизованных сервисных партнеров.

На что распространяется гарантия?

Гарантия распространяется на любые дефекты, связанные с материалами и/или конструкцией устройства, и действует с даты покупки устройства в магазине IKEA. Гарантия распространяется только на бытовую технику, предназначенную для домашнего использования. Исключения описаны в разделе «На что не распространяется гарантия». В течение

срока действия гарантии расходы на ремонт (запасные части, оплата труда и поездки технического персонала) будет нести сервисная служба при условии, что доступ к прибору для ремонта не повлечет за собой особых затрат. Эти условия соответствуют директивам ЕС (№ 99/44/CE) и применимым местным стандартам и нормам. Замененные детали остаются в собственности компании IKEA.

Какие действия предпримет IKEA, чтобы решить проблему?

Поставщик услуг, уполномоченный компанией IKEA, проверит изделие и решит на свое усмотрение, распространяется ли на него гарантия. В этом случае поставщик услуг IKEA или его авторизованный партнер по обслуживанию через свои сервисные центры, на свое усмотрение, либо отремонтируют неисправное изделие, либо заменит его на такое же или равное по стоимости изделие.

На что не распространяется гарантия?

- Нормальный износ.
- Ущерб, причиненный умышленно или из-за халатности, ущерб, вызванный несоблюдением инструкций по эксплуатации, неправильной установкой или подключением к сети с неправильным напряжением, повреждение, вызванное химическими или электрохимическими реакциями, ржавчиной, коррозией или водой, в том числе ущерб, причиненный из-за чрезмерного количества накипи в водопроводных трубах и ущерб, вызванный атмосферными и природными явлениями.
- Изнашиваемые детали, такие как батарейки и лампочки.
- Декоративные и нефункциональные детали, не влияющие на нормальное использование электроприбора, в том числе царапины и изменения цвета.
- Случайное повреждение, вызванное посторонними веществами или телами, а также очисткой или извлечением фильтров, дренажных систем или ящиков для моющих средств.
- Повреждение таких деталей, как стеклокерамика, принадлежности, корзины для посуды и столовых приборов, подающие и сливные трубы, прокладки, лампы и соответствующие крышки, экраны, ручки, накладки и части накладок, если не будет доказано, что такое повреждение было вызвано дефектами производства.
- Случаи отсутствия дефектов во время визита техника.
- Ремонт, выполняемый не уполномоченным компанией IKEA поставщиком услуг или не авторизованным партнером по обслуживанию, или ремонт с использованием неоригинальных запчастей.
- Ремонт, вызванный неправильной или не соответствующей требованиям установкой.
- Использование устройства вне дома, например, для профессиональных нужд.
- Повреждения из-за транспортировки. В случае транспортировки покупателем до его дома или по другому адресу компания IKEA не несет ответственности

за любой ущерб, полученный во время транспортировки. Однако, если доставка по адресу покупателя осуществляется компанией IKEA, данная гарантия покрывает любые повреждения, полученные при транспортировке.

- Первоначальная стоимость установки прибора IKEA. Однако, если назначенный компанией IKEA поставщик услуг или его авторизованный партнер по сервисному обслуживанию ремонтирует или заменяет оборудование по гарантии, они также должны повторно установить отремонтированное оборудование или установить другое оборудование для замены, если это необходимо.

Эти ограничения не распространяются на работу, выполняемую квалифицированным персоналом по всем правилам и с использованием оригинальных запчастей для адаптации устройства к нормам безопасности другой страны ЕС.

Применимость национального законодательства

Гарантия IKEA дает покупателю определенные юридические права в дополнение к установленным законом правам, которые варьируются от страны к стране. Однако эти условия никоим образом не ограничивают права потребителя, предусмотренные местным законодательством.

Зона действия

Для бытовой техники, купленной в одной стране ЕС и переданной в другую страну ЕС, услуги будут предоставляться в соответствии с условиями гарантии, применимыми в новой стране. Обязательство по предоставлению услуги в соответствии с условиями гарантии существует только в том случае, если устройство соответствует требованиям и установлено в соответствии с:

- техническими условиями страны, в которой запрашивается исполнение гарантийных обязательств;

- информацией по технике безопасности, содержащаяся в руководстве пользователя.

Послепродажное обслуживание электробытовых приборов производства IKEA:

Незамедлительно обращайтесь в отдел послепродажного обслуживания компании IKEA:

1. с запросом по гарантии;
 2. за разъяснениями по установке техники IKEA в кухонную мебель производства компании IKEA. Отдел не будет предоставлять помощь или разъяснения относительно:
 - установки комплектных кухонь IKEA;
 - электрических соединений (если прибор поставляется без кабелей и вилок), гидравлических соединений и соединений с газовой системой, которые должны выполняться авторизованным сервисным техником;
 3. разъяснений по содержанию руководства пользователя и техническим характеристикам устройства IKEA.
- Чтобы обеспечить вам максимальную помощь, пожалуйста, внимательно прочтите инструкцию по сборке и/или руководство пользователя, прежде чем связываться с нами.

Как с нами связаться, если вам нужна наша помощь



См. полный список поставщиков услуг IKEA и соответствующие национальные номера телефонов на последней странице этого руководства.

Важно! Чтобы обеспечить более быстрое обслуживание, мы рекомендуем вам использовать номера телефонов, указанные в конце этого руководства. Чтобы обратиться за помощью, сообщите соответствующие коды устройства, указанные в данном руководстве. Прежде чем обращаться к нам, убедитесь, что у вас есть код устройства IKEA (8 цифр), в отношении которого вам требуется помощь.

Важно! СОХРАНИТЕ ЧЕК!

Это ваше доказательство покупки, которое необходимо предъявить, чтобы воспользоваться гарантией. В квитанции также указаны название и код (8-значный) каждого приобретенного вами устройства IKEA.

Вам нужна дополнительная помощь?

По вопросам, не связанным с послепродажным обслуживанием оборудования, обращайтесь в ближайший магазин IKEA. Пожалуйста, внимательно прочтите документацию по оборудованию, прежде чем связываться с нами.

Obsah

Bezpečnostné informácie	225	Čo robiť, ak...	232
Všeobecné informácie	228	Technické údaje	233
Opis výrobku	229	Energetická účinnosť	234
Ovládací panel	229	Environmentálne aspekty	235
Všeobecné odporúčania	230	ZÁRUKA SPOLOČNOSTI IKEA	235
Čistenie a údržba	230		

Bezpečnostné informácie


i V záujme vlastnej bezpečnosti a správnej činnosti zariadenia sa pred inštaláciou tohto zariadenia a jeho uvedením do prevádzky dôkladne oboznámte s obsahom tohto návodu. Tento návod vždy uchovávajte v blízkosti zariadenia, aj v prípade jeho predaja alebo postúpenia tretej strane. Je dôležité, aby používatelia poznali všetky prevádzkové a bezpečnostné vlastnosti zariadenia.

! Zapojenie káblov musí vykonať výhradne kvalifikovaný technik.

- Výrobca nenesie zodpovednosť za prípadné škody spôsobené nesprávnou inštaláciou alebo používaním.
- Minimálna bezpečnostná vzdialenosť medzi varnou doskou a odsávačom je 500 mm pre odsávače elektrických sporákov a 650 mm pre odsávače plynových sporákov.
- Ak pokyny na inštaláciu plynovej varnej dosky stanovujú vyššiu vzdialenosť, ako je uvedená vyššie, treba to vziať do úvahy.
- Skontrolujte, či sieťové napätie zodpovedá napätiu uvedenému na údajovom štítku umiestnenom vo vnútri odsávača.
- V pevnom systéme je potrebné nainštalovať odpojovacie za-

riadenia v súlade s normami o káblových systémoch.

- Pri zariadeniach triedy I skontrolujte, či je domáca napájacia sieť vybavená potrebným uzemňovacím pripojením.
- Pripojte odsávač k dymovodu pomocou potrubia s minimálnym priemerom 150 mm. Trasa odvodu výparov musí byť čo najkratšia.
- Musia byť dodržané všetky normy týkajúce sa odvádzania vzduchu.
- Nepripájajte odsávač k dymovodom, ktoré odvádzajú dymy zo spaľovania (napr. z kotlov, krbov a pod.).
- Ak sa odsávač používa v kombinácii s neelektrickými zariadeniami (napr. plynovými), musí byť v miestnosti zaručený dostatočný stupeň vetrania, aby sa zabránilo spätnému prúdeniu odvádzaných plynov. Ak sa odsávač na výpary z varenia používa v kombinácii s neelektrickými zariadeniami, negatívny tlak v miestnosti nesmie byť vyšší ako 4 Pa, aby sa zabránilo spätnému nasávaniu výparov do miestnosti s odsávačom.
- Vzduch sa nesmie odvádzat' prostredníctvom potrubia používaného na odvádzanie výparov zo spaľovacích zariadení napájaných plynom alebo inými palivami.
- Ak sa poškodí napájací elektrický kábel, jeho výmenu musí vykonať výrobca alebo ním poverený servisný technik.
- Zástrčku zapojte do zásuvky elektrickej siete v súlade s platnými normami a na prístupnom mieste.
- V súvislosti s technickými a bezpečnostnými opatreniami na odvádzanie výparov je dôležité dodržat' všetky nariadenia vydané miestnymi úradmi.

 **UPOZORNENIE:** pred inštaláciou odsávača z neho zložte ochrannú fóliu.

- Používajte iba skrutky a upevňovacie prvky vhodného typu pre predmetný odsávač.

⚠ UPOZORNENIE: Ak skrutky alebo upevňovacie prvky nena-
montujete podľa tohto návodu, môže dôjsť k úrazu elektric-
kým prúdom.

- Pripojte odsávač k napájacej elektrickej sieti pomocou dvojpó-
lového vypínača so vzdialenosťou kontaktov aspoň 3 mm.
- Nepozerajte sa priamo do svetla optickými prístrojmi (ďaleko-
hľad, lupa...).
- Pod odsávačom nevlambujte, inak môže dôjsť k požiaru.
- Toto zariadenie smú používať deti vo veku od 8 rokov a osoby s
obmedzenými rozumovými, telesnými a zmyslovými
schopnosťami, ako aj osoby, ktoré nemajú skúsenosti a do-
statok poznatkov o obsluhu zariadenia, iba ak sú pod do-
hľadom a boli poučené o obsluhu zariadenia a nebezpečen-
stve, ktoré môže predstavovať. Dávajte pozor na deti, aby sa so
zariadením nehrali. Čistenie a údržbu zariadenia nesmú vy-
konávať deti, ktoré nie sú pod dohľadom.
- Dávajte pozor na deti, aby ste zaistili, že sa so zariadením neh-
rajú.
- Zariadenie nesmú používať osoby (vrátane detí) s obmedzený-
mi rozumovými, telesnými a zmyslovými schopnosťami ani
osoby s nedostatočnými skúsenosťami a poznatkami, ak nie sú
pod dohľadom alebo ak neboli poučené osobou zodpovednou
za ich bezpečnosť.

**⚠ Prístupné časti sa pri používaní varných zariadení môžu zo-
hriať na vysokú teplotu**

- Vyčistite a/alebo vymeňte filtre po uplynutí stanoveného času
(nebezpečenstvo požiaru).
- V miestnosti musí byť náležité vetranie, ak sa odsávač používa
súčasne so zariadeniami na plyn alebo iné palivá (nevzťahuje
sa na zariadenia, ktoré odvádzajú iba vzduch z miestnosti).
- Kuchynské digestory a iné odsávače výparov z varenia môžu

následkom spätného prúdenia plynov zo spaľovania narušiť bezpečný chod zariadení, v ktorých sa spaľuje plyn alebo iné palivá (vrátane tých, ktoré sa nachádzajú v iných miestnostiach). Tieto plyny môžu spôsobiť otravu oxidom uhoľnatým. Po inštalácii kuchynského digestora alebo iného odsávača výparov z varenia sa uistite, či plynové zariadenia zabezpečil kvalifikovaný technik tak, aby nedošlo k spätnému prúdeniu plynov zo spaľovania.

Všeobecné informácie

Používanie

- Pred každým čistením alebo údržbou zariadenie vypnite a odpojte od napájacej siete.
- Odsávač sa nesmie používať ako oporná plošina.
- Odsávač je určený výhradne na odsávanie výparov z varenia v domácnosti.
- Nikdy nepoužívajte odsávač na iné účely ako tie, na ktoré je určený.
- Keď je odsávač v činnosti, nesmú pod ním byť vysoké plamene.
- Upravte intenzitu plameňa tak, aby smeroval iba priamo na dno varnej nádoby a uistite sa že nepresahuje cez jej okraje.
- Fritézy počas použitia musia byť neustále pod dozorom: prehriaty olej by sa mohol vznietiť.

Spôsob inštalácie

Odsávač je určený na inštaláciu a používaniu buď vo „verzii odsávania“ alebo vo „verzii recirkulácie vzduchu“.



Verzia odsávania (pozri symbol v návode na inštaláciu)

Výpary z varenia sa odsávajú a odvádzajú mimo obydliu pomocou vypúšťacieho

potrubia (nie je súčasťou výbavy), nainštalovaného na výstupe výparov z odsávača. Uistite sa, že vypúšťacie potrubie je správne nainštalované na výstupe vzduchu pomocou vhodného spojovacieho systému.



Verzia recirkulácie vzduchu (pozri symbol v návode na inštaláciu)

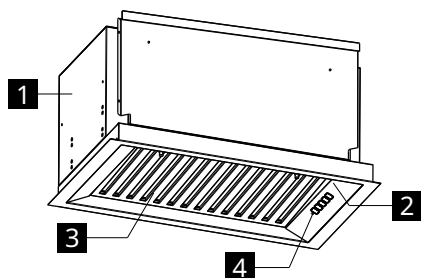
Vzduch sa filtruje cez jeden alebo viac filtrov a potom sa znovu privádza do miestnosti.

Dôležité: Uistite sa, že okolo odsávača je dostatočná cirkulácia vzduchu.

Dôležité: Ak vo výbave odsávača nie sú filtre s aktívnym uhlím, je potrebné si ich zadovážiť a namontovať pred používaním zariadenia. Filtre sú ľahko dostupné na trhu.


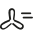
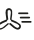


Odsávač musí byť nainštalovaný v dostatočnej vzdialenosti od znečistených priestorov, okien, dverí a zdrojov tepla. Príslušenstvo na pripavenie k stene nie je súčasťou výbavy, pretože sa líši v závislosti od materiálu steny. Použite upevňovacie systémy, ktoré sú vhodné pre vaše obydlie a hmotnosť zariadenia. Ak potrebujete bližšie informácie, obráťte sa na špecializovaného predajcu. Uchovajte si tento návod na budúce použitie.

Opis výrobku



- 1 Telo odsávača
- 2 Osvetlenie
- 3 Tukový filter
- 4 Ovládací panel

Ovládací panel

						
		A	B	C	D	E
Tlačidlo	Stlačenie tlačidla	Funkcia				Kontrolka led
A Rýchlosť	Krátke	Zapne/vypne motor pri rýchlosti jeden.				Zapnutý alebo Vypnutý
B Rýchlosť	Krátke	Uvedie do prevádzky motor pri druhej rýchlosti. Musí byť zvolený kláves A .				A + B sú zapnuté
C Rýchlosť	Krátke	Uvedie do prevádzky motor pri tretej rýchlosti. Musí byť zvolený kláves A .				A + C sú zapnuté
D Rýchlosť	Krátke	Zapne motor pri rýchlosti boost. Táto rýchlosť je načasovaná na 6 minút. Po uplynutí stanoveného času sa systém automaticky vráti na rýchlosť, ktorá bola nastavená predtým. Ak sa aktivuje pri vypnutom motore, po uplynutí stanoveného času sa zariadenie vypne. Na deaktiváciu stlačte tlačidlo A, B alebo C. Kláves A musí byť zvolený.				A Svieti D Bliká
E Osvetlenie	Krátke	Zapne/vypne osvetlenie pri najvyššej intenzite.				Zapnutý alebo Vypnutý
	Dlhé	Zvýši alebo zníži intenzitu osvetlenia.				Zapnutý alebo Vypnutý

Všeobecné odporúčania

- Na začiatku varenia spustíte odsávač pri minimálnej rýchlosti a nechajte ho v chode niekoľko minút po skončení varenia.
- Rýchlosť zvýšte iba v prítomnosti veľkého množstva dymu a výparov. Intenzívnu rýchlosť použite iba v extrémnych situáciách.
- Vymeňte filter alebo filtre s aktívnym uhlím vždy, keď je to potrebné, aby bola zaručená vysoká účinnosť potláčania pachov.
- Vyčistite tukový filter alebo filtre vždy, keď je to potrebné, aby bola zaručená vysoká účinnosť zachytávania tukov.
- Používajte maximálny priemer odvodného potrubia uvedený v tomto návode, aby sa zaručila vysoká účinnosť a obmedzil hluk na minimum.

Čistenie a údržba

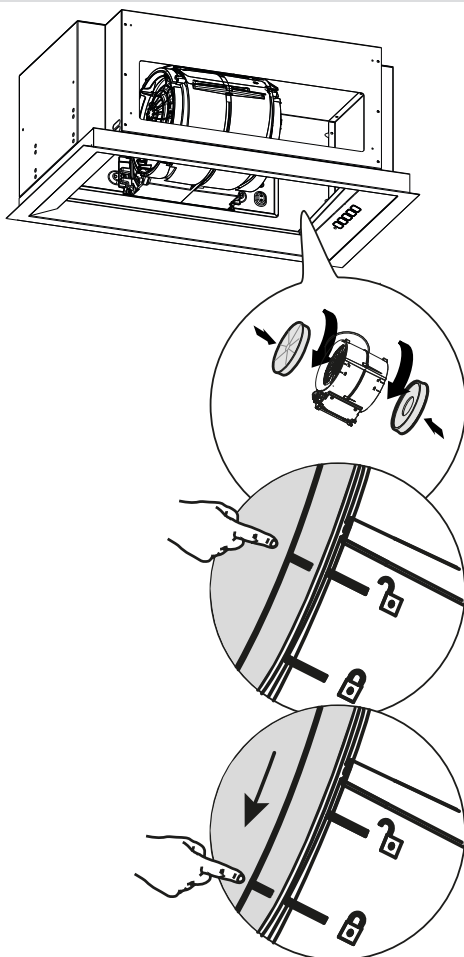


Pred každou údržbou zariadenie vypnite a odpojte od napájacej siete.

DÔLEŽITÉ: Odsávač vyčistite vlhkou handrou a neutrálnym tekutým čistiacim prostriedkom.

Filter s aktívnym uhlím s dlhodobou trvanlivosťou (zelený)

Pachový filter sa môže umývať a regenerovať každé 3-4 mesiace (alebo častejšie, ak sa digestor často používa), až do max. 8 regeneračných cyklov (v prípade obzvlášť intenzívneho používania odporúčame, aby ste neprekročili 5 cyklov).



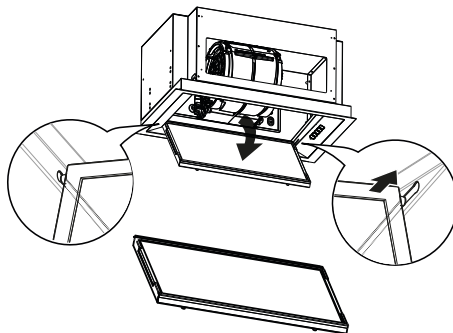
Postup regenerácie

- Umyte filter v umývačke riadu pri MAX. teplote 70° alebo ho ručne umyte v teplej vode bez použitia abrazívnych hubiek (nepoužívajte saponáty!).
- Sušte 2 hodiny v rúre pri MAX. teplote 70° (odporúčame, aby ste si dôkladne prečítali návod na používanie a montáž rúry).

Tukové filtre

Vykonávajte čistenie alebo výmenu filtrov v stanovených časových intervaloch, aby ste udržiavali odsávač v dobrom prevádzkovom stave a zabránili možnému riziku požiaru z dôvodu nadmernej akumulácie tuku. Tukové filtre sa musia čistiť každé 2 mesiace prevádzky alebo častejšie v prípade veľmi

intenzívneho používania a môžu sa umývať v umývačke riadu.

**Výmena žiaroviek**

Pre výmenu sa skontaktujte s autorizovaným asistenčným centrom.

Čo robiť, ak...

V prípade poruchy sa najprv snažte sami nájsť riešenie. Ak nedokážete sami vyriešiť problém, obráťte sa na autorizované asistenčné centrum.

i V prípade nesprávneho použitia zariadenia alebo inštalácie, pri ktorej neboli dodržané pokyny na montáž, je možné, že budete musieť zaplatiť za zákrok technika autorizovaného asistenčného centra aj počas záručnej lehoty.

PROBLÉM	MOŽNÁ PRÍČINA	RIEŠENIE
Zariadenie nie je stabilné.	Zariadenie nebolo správne nainštalované.	Postupujte podľa inštalčných pokynov dodaných spolu so zariadením.
Zariadenie nie je vyrovnané.	Zariadenie nebolo správne nainštalované.	Postupujte podľa inštalčných pokynov dodaných spolu so zariadením.
Zachytávanie tukov nie je dostatočné.	Prítomnosť oleja a tuku na kovových alebo uholných filtroch.	Dodržiavajte častot' čistenia filtrov podľa opisu v návode na používanie.
Zariadenie nefunguje.	Zariadenie nebolo správne pripojené.	Overte, či je sieťový kábel pripojený k jednotke motora alebo či je zástrčka pripojená k zásuvke.
Osvetlenie nefunguje.	Kontrolka LED je pokazená.	Pre výmenu sa skontaktujte s autorizovaným asistenčným centrom.
Odsávač je hlučnejší ako zákazník očakával.	Priemer odvzdušňovacieho otvoru v stene je príliš malý a spôsobuje stratu tlaku a zvýšenie otáčok motora.	Postupujte podľa inštalčných pokynov dodaných spolu so zariadením.
	Produkt je nainštalovaný v režime cirkulácie.	Produkt v režime cirkulácie (a s namontovaným uholným filtrom) je hlučnejší ako produkt v odsávacom režime.
	Ventilačné potrubie vykazuje viac ako jedno koleno.	Ak systém odvádzania dymov budovy vykazuje viac kolien alebo pokrýva dlhú vzdialenosť, produkt môže byť hlučnejší.

Predtým ako sa obrátíte na autorizované asistenčné centrum:

Znovu zapnite zariadenie a skontrolujte, či problém nezmizol. V opačnom prípade zariadenie vypnite a zopakujte úkon po jednej hodine. Ak zariadenie ani po vykonaní kontrol uvedených v príručke v súvislosti s riešením

problémov a opätovnom zapnutí stále správne nefunguje, obráťte sa na autorizované asistenčné centrum a zrozumiteľne opíšte problém, pričom uveďte:

- druh poruchy;
- model;
- typ a sériové číslo zariadenia (uvedené na údajovom štítku).

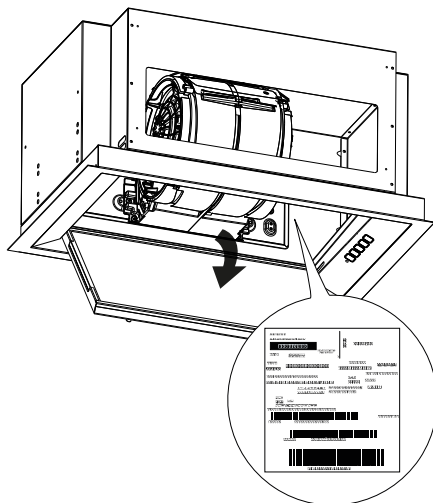
Technické údaje

		Jednotka	Hodnota
Druh výrobku			Vstavaný digester
Rozmery	Šírka	mm	599
	Hĺbka	mm	358
	Min./max výška	mm	290
Max. prietok vzduchu* - odsávanie vzduchu von		m ³ /h	450
Max. hladina hluku - odvádzanie vzduchu		dBA	55
Max. prietok vzduchu* - recirkulácia		m ³ /h	250
Max. hladina hluku - recirkulácia		dBA	66
Celkový výkon		W	144
Informácie o žiarovke	Typ		LED tyčová
	Počet a výkon		3,8 W
	Prípojka		nie je uvedené
Minimálna výška inštalácie - plynová varná doska		mm	650
Minimálna výška inštalácie - elektrická varná doska		mm	500
Hmotnosť netto		kg	8
* Maximálna rýchlosť (bez intenzívneho nastavenia)			

Toto zariadenie bolo navrhnuté, vyrobené a uvedené na trh v zhode so smernicami EHS



Technické údaje sú uvedené na údajovom štítku umiestnenom vo vnútri zariadenia.



Energetická účinnosť

Informácie na výrobku sú v súlade s NARIADENÍM KOMISIE (EÚ) č. 66/2014	Jednotka	Hodnota
Názov dodávateľa	IKEA	
Identifikačný kód modelu	MÅNGSBO 906.091.16 106.176.10 906.176.11	
Ročná spotreba energie	kWh/a	26,9
Činiteľ prírastku času		0,5
Účinnosť dynamiky prúdenia		40,5
Index energetickej účinnosti		29,9
Nameraný prietok vzduchu v bode s najvyššou účinnosťou	m ³ /h	410
Nameraný tlak vzduchu v bode s najvyššou účinnosťou	Pa	469
Maximálny prietok vzduchu	m ³ /h	450
Nameraný elektrický príkon v bode s najvyššou účinnosťou	W	132
Menovitý výkon systému osvetlenia	W	3,8
Priemerné osvetlenie systému osvetlenia na varnej doske	lux	275
Spotreba elektrickej energie v pohotovostnom režime	W	0,49
Spotreba elektrickej energie pri vypnutom pohotovostnom režime	W	0,0
Úroveň hluku pri maximálnej rýchlosti (bez nastavenia intenzívnej prevádzky)	dB(A)	66

Príslušné normy:

EN/IEC 61591
EN/IEC 60704-1
EN/IEC 60704-2-13
EN/IEC 60704-3
EN 50564


Úspora energie

Zariadenie má vlastnosti, ktoré pomáhajú šetriť energiu pri každodennom varení.

Environmentálne aspekty

Likvidácia elektropotrebičov




Symbol  na výrobku alebo balení znamená, že výrobok sa nesmie likvidovať v zmiešanom komunálnom odpade. Výrobok sa musí zlikvidovať v špecializovanom centre na recykláciu elektrických a elektronických komponentov. Ak sa uistíte, že tento výrobok sa správne zlikvidoval, predídete tak možným negatívnym dôsledkom na životné prostredie a zdravie, ktoré by mohli byť spôsobené jeho nesprávnou likvidáciou. Ak potrebujete bližšie informácie o recyklácii tohto výrobku, obráťte

sa na príslušné úrady, miestny úrad likvidácie odpadov alebo predajňu, v ktorej ste výrobok zakúpili.

Zariadenie spĺňa požiadavky smernice 2012/19/EÚ o obmedzovaní nebezpečných látok používaných v elektrických a elektronických zariadeniach a o likvidácii odpadov.

Likvidácia obalových materiálov

Materiály označené symbolom  sú recyklovateľné. Obalové materiály odovzdajte v príslušných zberných dvoroch na recykláciu.

ZÁRUKA SPOLOČNOSTI IKEA

Aká je záručná lehota spoločnosti IKEA?

Záručná lehota je päť (5) rokov od pôvodného dátumu zakúpenia zariadenia od spoločnosti IKEA. Kúpu je potrebné zdokladovať príslušným potvrdením o zakúpení. Ak sa vykoná záručná oprava, záručná lehota zariadenia sa nepredlžuje.

Kto poskytuje servisné služby?

Servis poskytuje servisné stredisko poverené spoločnosťou IKEA prostredníctvom vlastnej organizácie alebo autorizovaného partnerského servisného strediska.

Na čo sa vzťahuje záruka?

Záruka sa vzťahuje na prípadné materiálové a konštrukčné chyby zariadenia a platí od dátumu zakúpenia zariadenia od spoločnosti IKEA. Záruka sa vzťahuje iba na zariadenia určené na používanie v domácnosti. Výnimky sú opísané v odseku „Na čo sa záruka nevzťahuje?“ Počas trvania záručnej doby hradí servisné stredisko náklady na opravu (náhradné diely, práca a doprava technických pracovníkov) za podmienky, že dostupnosť zariadenia kvôli oprave nespôsobuje mimoriadne náklady. Tieto podmienky sú v súlade so smernicami EÚ (č. 99/44/ES) a s

platnými miestnymi predpismi. Vymenené diely sa stávajú vlastníctvom spoločnosti IKEA.

Ako zasiahne pri riešení problémov spoločnosť IKEA?

Dodávateľ servisných služieb poverený spoločnosťou IKEA preskúša výrobok a rozhodne po uvážení v jeho výlučnej kompetencii, či sa výrobku týka záruka. Pri kladnom rozhodnutí dodávateľ servisných služieb spoločnosti IKEA alebo jeho autorizovaný servisný partner zabezpečí prostredníctvom vlastného servisného strediska po uvážení v jeho výlučnej kompetencii opravu chybného výrobku alebo jeho výmenu za rovnaký výrobok alebo výrobok v rovnakej hodnote.

Na čo sa záruka nevzťahuje?

- Bežné opotrebovanie.
- Škody spôsobené úmyselne alebo vzniknuté nedbanlivosťou, škody spôsobené nedostatočným dodržiavaním pokynov na používanie zariadenia, nesprávnu inštaláciu alebo pripojenie k chybnému napätiu, škody vyvolané chemickými alebo elektrochemickými reakciami, hrdzu, koróziou alebo, a to bez obmedzení, škody spôsobené vodou vrátane škôd spôsobených nadmernou prítomnosťou vodného kameňa vo

vodovodných vedeniach a škody spôsobené počasím a prírodnými udalosťami.

- Diely podliehajúce opotrebovaniu, napr. batérie a žiarovky.
- Ozdobné diely bez funkčných vlastností bez vplyvu na normálne používanie elektrospotrebiča vrátane škrabancov a zmien farby.
- Náhodné škody vyvolané cudzími látkami alebo telesami a čistením alebo vyberaním filtrov, vyprázdňovacích systémov alebo zásuviek s čistiacimi prostriedkami.
- Škody na týchto dieloch: sklokeramika, príslušenstvo, keramické nádoby a košíky na nože, vstupné a výstupné potrubia, tesnenia, žiarovky a ich kryty, obrazovky, tlačidlá, kryty a ich časti. Na poškodenie týchto dielov sa záruka vzťahuje, iba ak sú dokázateľne spôsobené konštrukčnou chybou.
- Prípady, pri ktorých neboli zistené chyby počas technickej obhliadky.
- Opravy, ktoré nevykonalo servisné stredisko poverené spoločnosťou IKEA alebo autorizovaný servisný partner, alebo opravy, pri ktorých neboli použité originálne náhradné diely.
- Opravy vyplývajúce z nesprávnej alebo nevhovujúcej inštalácie.
- Používanie elektrospotrebiča mimo domácnosti, ako napr. na komerčné účely.
- Škody spôsobené prepravou. V prípade prepravy vykonanej zákazníkom do vlastnej domácnosti alebo na inú adresu spoločnosť IKEA nenesie žiadnu zodpovednosť za škody vzniknuté počas prepravy. Ak prepravu do domácnosti zákazníka vykonáva spoločnosť IKEA, na škody vzniknuté počas prepravy sa záruka vzťahuje.
- Náklady na úvodnú inštaláciu zariadenia spoločnosti IKEA. Ak však dodávateľ servisnej služby poverený spoločnosťou IKEA alebo jeho autorizovaný servisný partner vykoná opravu alebo výmenu zariadenia v rámci záručných podmienok, potom musí tento dodávateľ alebo jeho servisný partner zabezpečiť aj spätnú inštaláciu opraveného zariadenia alebo inštaláciu náhradného zariadenia, ak je to nutné.

Tieto obmedzenia sa nevzťahujú na úkony vykonané podľa predpisov kvalifikovanými pracovníkmi s použitím originálnych náhradných dielov na prispôbenie zariadenia bezpečnostným predpisom inej krajiny EÚ.

Aplikovateľnosť štátnych zákonov

Záruka IKEA poskytuje zákazníkovi právne nároky, ktoré sa môžu uplatňovať aj mimo platných vnútroštátnych predpisov. V každom prípade však takéto podmienky neobmedzujú nijakým spôsobom práva zákazníka stanovené miestnymi zákonmi.

Oblasť platnosti

Pre zariadenia zakúpené v jednej krajine EÚ a premiestnené do inej krajiny EÚ sa poskytujú služby podľa predpisov platných v cieľovej krajine. Povinnosť dodania služby na základe záručných podmienok existuje, len ak je zariadenie zhodné a inštalované v súlade s:

- príslušnými technickými predpismi krajiny, v ktorej sa požaduje uplatnenie záruky;
- informáciami o bezpečnosti popísanými v návode na používanie.

Popredajné servisné stredisko pre elektrospotrebiče spoločnosti IKEA:

Bez váhania kontaktuje popredajné servisné stredisko spoločnosti IKEA, ak chcete:

1. požiadať o servisnú službu spadajúcu do záruky;
2. požiadať o vysvetlenie v súvislosti s inštaláciou elektrospotrebičov spoločnosti IKEA v špecifických kuchynských linkách spoločnosti IKEA. Servisné stredisko neposkytuje vysvetlenia v súvislosti s:
 - inštaláciou kompletných kuchýň spoločnosti IKEA;
 - elektrickými zapojeniami (ak sa zariadenie dodáva bez káblov a zástrčiek), hydraulickými prípojkami a zapojeniami k plynovým prípojkám, ktoré musí vykonať autorizovaný servisný technik.
3. požiadať o vysvetlenia v súvislosti s obsahom návodu na používanie a vlastnosťami zariadenia IKEA.

Na zaistenie čo najlepšieho servisu by ste si mali predtým, ako sa na nás obrátite, pozorne prečítať návod na montáž a/alebo návod na používanie.

Ako sa na nás obrátiť v prípade potreby servisného zásahu



Pozrite si kompletný zoznam servisných stredísk spoločnosti IKEA s príslušnými telefónnymi číslami, uvedený na poslednej strane tohto návodu.

Dôležité! Aby bolo možné zaručiť rýchly servis, odporúčame použiť telefónne čísla

uvedené na konci tohto návodu. Pri požiadavke servisných služieb vždy uveďte špecifické kódy tohto zariadenia, ktoré nájdete v tomto návode. Skôr, ako sa na nás obrátite, sa uistite, že máte po ruke kód výrobu IKEA (8-ciferný) zariadenia, pre ktoré potrebujete servis.

Dôležité! USCHOVAJTE SI POKLADNIČNÝ DOKLAD!

Je to doklad o nákupe, ktorý budete potrebovať, ak budete chcieť uplatniť záruku. Na pokladničnom doklade sú uvedené aj názov a kód (8-ciferný) zakúpeného zariadenia IKEA.

Potrebujete ďalšiu pomoc?

V prípade ďalších otázok, nesúvisiacich s popredajným servisom zariadenia sa obráťte na zákaznícku podporu najbližšieho predajcu spoločnosti IKEA. Skôr, ako sa na nás obrátite, vám odporúčame, aby ste si dôkladne prečítali dokumentáciu zariadenia.

Turinys

Informacija apie saugą	238	Ką daryti, jei...	244
Bendra informacija	241	TECHNINIAI DUOMENYS	245
Gaminio aprašymas	242	Energijos vartojimo efektyvumas	247
Valdymo skydelis	242	Aplinkosaugos aspektai	248
Bendri pasiūlymai	243	IKEA garantija	248
Priežiūra ir valymas	243		

Informacija apie saugą

i Savo saugumui užtikrinti ir tam, kad prietaisas veiktų tinkamai, prieš montuojant ir paleidžiant veikti, prašome atidžiai perskaityti šį vadovą. Visada laikykite šias instrukcijas kartu su prietaisu, net ir tuomet, jei perleidžiate arba perduodate kitiems. Svarbu, kad naudotojai išmanytų visas veikimo savybes ir prietaiso saugą.

! Laidus sujungti privalo kvalifikuotas specialistas.

- Gamintojas nebus laikomas atsakingu už žalą, padarytą netinkamai sumontavus arba naudojant.
- Minimalus saugus atstumas tarp kaitlentės ir oro ištraukimo gartraukio yra 500 mm elektrinių viryklių gartraukiams ir 650 mm dujinių viryklių gartraukiams.
- Jei dujinės kaitlentės montavimo instrukcijose yra nurodytas didesnis atstumas, nei nurodyta pirmiau, reikia jį tai atsižvelgti.
- Patikrinkite, ar tinklo įtampa atitinka nurodytą prie gartraukio vidaus pritvirtintoje duomenų plokštelėje.
- Izoliavimo prietaisai turi būti sumontuoti fiksuotoje įrangoje vadovaujantis laidų sujungimo sistemoms taikomais regla-

mentais.

- I klasės prietaisuose patikrinkite, ar buitinis namų tinklas turi tinkamą įžeminimo jungtį.
- Prijunkite gartraukį prie dūmtakio mažiausiai 150 mm skersmens vamzdžiu. Dūmų maršrutas turi būti kuo trumpesnis.
- Turi būti laikomasi visų su oro išleidimu susijusių reglamentų.
- Nejunkite gartraukio prie dūmtakių, gabenančių degimo dūmus (pvz., šildymo katilų, kaminų ir t. t.).
- Jei gartraukis naudojamas kartu su neelektriniais prietaisais (pvz., dujiniais prietaisais), patalpoje turi būti garantuojamas pakankamas vėdinimo laipsnis, kad negrįžtų išmetamųjų dujų srautas. Kai virtuvinis gartraukis naudojamas kartu su elektros srove nemaitinamais prietaisais, neigiamas slėgis patalpoje neturi viršyti 4 Pa, kad būtų išvengta dūmų pakartotinio įtraukimo į patalpą gartraukiu.
- Oras neturi būti šalinamas pro dūmams iš dujomis arba kitu kuru maitinamų degimo prietaisų išleisti naudojamą vamzdį.
- Jei elektros tiekimo kabelis yra pažeistas, jį privalo pakeisti gamintojas arba priežiūros paslaugas teikiantis agentas.
- Įkiškite kištuką į lizdą, atitinkantį nurodytus reikalavimus, esantį lengvai prieinamoje vietoje.
- Atsižvelgiant į dūmams išleisti reikalingas technines ir apsaugos priemones, svarbu kruopščiai laikytis vietinių institucijų nustatytų reglamentų.

⚠ ĮSPĖJIMAS: prieš montuodami gartraukį nuimkite apsaugines plėveles.

- Naudokite tik gartraukiui tinkamo tipo varžtus ir tvirtinimo detales.

⚠ ĮSPĖJIMAS: jei sraigčiai arba tvirtinantys įrenginiai bus montuojami nesilaikant šių nurodymų, elektra gali kelti pavojų.

- Prijunkite gartraukį prie elektros tiekimo tinklo naudodami

- dvipolį jungiklį, kurio atstumas tarp kontaktų bent 3 mm.
- Nežiūrėkite į šviesos šaltinius per optinius prietaisus (žiūronus, didinamuosius stiklus...).
 - Neruoškite maisto atviroje liepsnoje po gartraukiu: gali kilti gaisras.
 - Šį įrenginį gali naudoti vaikai nuo 8 metų ir vyresni bei asmenys su ribotais fiziniais, jutiminiais ar protiniais sugebėjimais arba asmenys, kuriems trūksta patirties ir žinių, jei jie yra prižiūrimi ar buvo apmokyti, kaip saugiai elgtis su įrenginiu, ir supranta su juo susijusius pavojus. Vaikams žaisti su įrenginiu negalima. Vaikai atlikti valymo ir priežiūros darbus be suaugusiųjų negali.
 - Vaikus reikia prižiūrėti, kad jie su prietaisu nežaistų.
 - Įrenginio neturėtų naudoti asmenys (įskaitant vaikus), kuriems yra pablogę fiziniai, jutiminiai ar protiniai sugebėjimai arba trūksta patirties ir žinių, išskyrus atvejus, jei tokie asmenys yra prižiūrimi arba buvo apmokyti, kaip su tokiais įrenginiais elgtis.

⚠ Pasiekiamos dalys naudojant maisto ruošimo prietaisus gali labai įkaisti

- Po nurodyto laiko tarpo nuvalykite ir (arba) pakeiskite filtrus (gaisro pavojus).
- Kai gartraukis naudojamas kartu su prietaisais, kuriems reikalingos dujos arba kitas kuras, patalpoje turi būti užtikrinta tinkama ventiliacija (netaikoma prietaisams, kurie į patalpą išleidžia tik orą).
- Virtuviniai gartraukiai ir kiti kepimo dūmų ištraukikliai dėl atgalinio degimo dujų srauto gali pakenkti saugiam dujas arba kitas degias medžiagas naudojančioms prietaisams (įskaitant ir esančius kitoje aplinkoje). Šios dujos gali sukelti apsinuodijimą anglies monoksidu. Sumontavę virtuvinį gartraukį arba bet kurį kitą kepimo dūmų ištraukiklį, pasirūpinkite, kad dujiniai

prietaisai būtų išbandyti kompetentingo asmens, galinčio garantuoti, kad nebus atgalinio degimo dujų srauto.

Bendra informacija

Naudojimas

- Prieš bet kokį valymo arba priežiūros darbą, išjunkite ir atjunkite prietaisą nuo maitinimo tinklo.
- Gartraukis neturi būti naudojamas kaip atraminė platforma.
- Oro ištraukimo gartraukis buvo suprojektuotas išskirtinai tik šalinti namuose ruošiant maistą susidariusius kvapus.
- Jokių būdu nenaudokite oro ištraukimo gartraukio pagal kitą paskirtį, nei buvo suprojektuota.
- Niekada nepalikite didelių liepsnų po oro ištraukimo gartraukiu jam veikiant.
- Nustatykite liepsnos intensyvumą taip, kad nukreiptumėte ją išskirtinai tik į maisto ruošimo indo dugną įsitikindami, kad ji neapgaubia šonų.
- Naudojant keptuvės turi būti nuolat kontroliuojamos: perkaitęs aliejus gali užsidegti.

Montavimo režimas

Gartraukis buvo suprojektuotas montuoti ir naudoti su „oro ištraukimo versija“ arba „oro recirkuliacijos versija“.



Oro ištraukimo versija (žr. simbolį montavimo instrukcijoje)

Ruošiamo maisto garai ištraukiami ir tiekiami už patalpos ribų pro išleidimo vamzdį (nepridėtas), sumontuotą gartraukio garų išėjime. Įsitinkite, kad išleidimo vamzdis tinkamai sumontuotas oro išėjime naudojant tinkamą prijungimo sistemą.



Oro recirkuliacijos versija (žr. simbolį montavimo instrukcijoje)

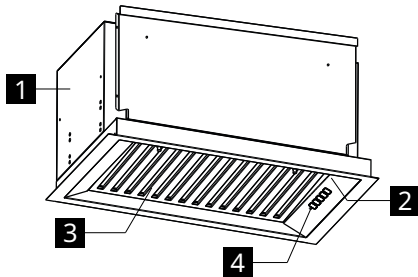
Oras filtruojamas vienu ar daugiau filtrų, o po to iš naujo tiekiamas į patalpą.

Svarbu: Įsitinkite, kad aplink gartraukį tinkamai cirkuliuoja oras.

Svarbu: Jei gartraukis neturi anglies filtrų, juos reikia užsisakyti ir sumontuoti prieš naudojant prietaisą. Filtrus galima įsigyti prekyboje.


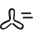



Gartraukis turi būti montuojamas toliau nuo ypač nešvarių vietų, langų, durų ir šilumos šaltinių. Tvirtinimo prie sienos priedai nėra pridėti, nes jie skiriasi atsižvelgiant į sienos medžiagą. Naudokite tvirtinimui prie savo patalpos sienų ir prietaiso svoriui tinkamas sistemas. Dėl išsamesnės informacijos kreipkitės į specializuotą pardavimo atstovą. Saugokite šias instrukcijas, kad galėtumėte peržiūrėti ateityje.

Gaminio aprašymas



- 1 Gartraukio korpusas
- 2 Apšvietimas
- 3 Riebalų filtras
- 4 Valdymo skydas

Valdymo skydelis

	 A	 B	 C	 D	 E
Mygtukas	Klavišo paspaudimas	Funkcija			Šviesos diodas
A Greitis	Trumpas	Variklį įjungia / išjungia pirmu greičiu.			Įjungta arba išjungta
B Greitis	Trumpas	Paleidžia variklį veikti antru greičiu. Turi būti pasirinktas klavišas A .			A + B įjungti
C Greitis	Trumpas	Paleidžia variklį veikti trečiu greičiu. Turi būti pasirinktas klavišas A .			A + C įjungti
D Greitis	Trumpas	Variklį įjungia didėjančiu greičiu. Šis greitis išlieka 6 minutes. Pasibaigus šiam laikui, sistema automatiškai grįš prie greičio, kuris buvo nustatytas anksčiau. Jei jis įjungiamas esant išjungtam varikliui, laiko pabaigoje gartraukis persijungs į OFF (IŠJUNGTA) padėtį. Norėdami jį išjungti, paspauskite mygtuką A , B arba C . Reikia pasirinkti klavišą A .			A Dega B mirksi
E Lempa	Trumpas	Įjungia arba išjungia apšvietimo sistemą maksimaliu intensyvumu.			Įjungta arba išjungta
	Ilgas	Padidina arba sumažina apšvietimo intensyvumą.			Įjungta arba išjungta

Bendri pasiūlymai

- Suaktyvinkite gartraukį veikti minimaliu greičiu, kai pradėdote ruošti valgį ir palikite jį veikti kelias minutes pabaigę ruošti maistą.
- Padidinkite greitį tik tada, jei yra dideli kiekiai dūmų ir garų bei naudokite intensyvų (-ius) greitį (-čius) tik ekstremaliose situacijose.
- Pakeiskite anglies filtrą arba filtrus, kai reikia išlaikyti gerą kvapų šalinimo efektyvumą.
- Išvalykite riebalų filtrą arba filtrus, kai reikia išlaikyti gerą riebalų sugėrimo efektyvumą.
- Kad optimizuotumėte efektyvumą ir kuo labiau sumažintumėte triukšmą, naudokite šiame vadove nurodytą didžiausią ortakių skersmenį.

Priežiūra ir valymas

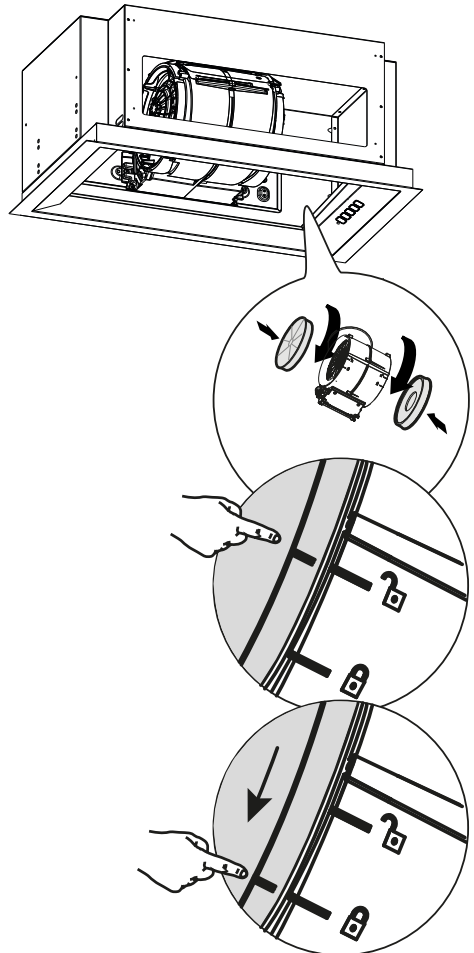


Išjunkite arba atjunkite prietaisą nuo maitinimo tinklo prieš bet kokią priežiūros veiksmą.

SVARBU: Gartraukį valykite drėgna šluoste ir skystu neutraliu plovikliu.

Ilgalaikis anglies filtras (žalias)

Kvapų filtras gali būti plaunamas ir atnaujinamas kas 3–4 mėnesius (arba dažniau, jei gartraukis intensyviai naudojamas), maksimaliai iki 8 atnaujinimo ciklų (tuo atveju, jei jis naudojamas ypač intensyviai, rekomenduojama neviršyti 5 ciklų).



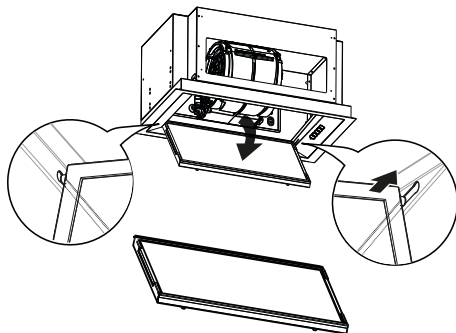
Regeneravimo procedūra

- Plaukite indaplovėje esant MAKS. 70 °C temperatūrai arba rankomis nenaudodami abrazyvinių kempinių (nenaudokite ploviklių!).
- Džiovinkite orkaitėje esant MAKS. 70 °C temperatūrai 2 valandas (rekomenduojama atidžiai perskaityti naudotojo vadovą ir savo orkaitės surinkimo instrukciją).

Riebalų filtrai

Toliau valykite arba keiskite filtrus nurodytais laiko intervalais, kad išlaikytumėte gartraukį geros veikimo būsenos ir venkite galimos gaisro rizikos dėl per didelės riebalų sankaupos. Riebalų filtrai turi būti valomi kas 2 veikimo mėnesius arba dažniau, jei

naudojama labai intensyviai ir juos galima plauti indaplovėje.



Lempučių keitimas

Norėdami pakeisti, kreipkitės į įgaliotą aptarnavimo centrą.

Ką daryti, jei...

Jei įvyko gedima, pirmiausia bandykite patys rasti sprendimą. Jei problemos nepavyksta išspręsti patiems, kreipkitės į įgaliotą aptarnavimo centrą.

i Jei prietaisas naudojamas netinkamai arba sumontuota nesilaikant montavimo instrukcijų, net ir garantijos galiojimo laikotarpiu gali prireikti apsilankyti įgaliotam aptarnavimo centrui.

PROBLEMA	GALIMA PRIEŽASTIS	SPRENDIMAS
Prietaisas nėra stabilus.	Prietaisas nebuvo tinkamai sumontuotas.	Vadovaukitės kartu su prietaisu tiekiamomis montavimo instrukcijomis.
Prietaisas nėra išlygintas.	Prietaisas nebuvo tinkamai sumontuotas.	Vadovaukitės kartu su prietaisu tiekiamomis montavimo instrukcijomis.
Riebalų surinkimo eksploatacinės savybės nėra patenkinamos.	Ant metalinių filtrų arba anglies filtrų yra alyvos ir riebalų.	Laikykitės filtrų valymo dažnio, kaip aprašyta naudojimo vadove.
Prietaisas neveikia.	Prietaisas nebuvo prijungtas tinkamai.	Patikrinkite, ar tinklo laidas yra prijungtas prie variklio bloko arba kištukas yra įkištas į elektros lizdą.
Lemputė neveikia.	Šviesos diodas sugedo.	Norėdami pakeisti, kreipkitės į įgaliotą aptarnavimo centrą.
Gartraukio keliamas triukšmas neatitinka kliento lūkesčių.	Oro išleidimo angos skersmuo sienoje yra per mažas ir sukelia slėgio nuotėkį bei variklio greičio padidėjimą.	Vadovaukitės kartu su prietaisu tiekiamomis montavimo instrukcijomis.
	Produktas sumontuotas recirkuliacijos režimu.	Produktas recirkuliacijos režime (ir sumontavus anglies filtrą) yra triukšmingesnis už produktą oro ištraukimo režime.
	Ventiliacijos vamzdis turi daugiau negu vieną alkūnę.	Jei pastato dūmų šalinimo sistema turi kelias alkūnes arba apima didelį atstumą, produktas gali kelti daugiau triukšmo.

Prieš kreipdamiesi į įgalioją aptarnavimo centrą:


Iš naujo įjunkite prietaisą, kad patikrintumėte, ar problema nedingo. Priešingu atveju, išjunkite jį ir pakartokite veiksmą po valandos. Jei prietaisas vis dar neveikia tinkamai atlikus gedimų sprendimo vadove išvardytas

patikras ir prietaisą įjungtus iš naujo, kreipkitės į įgalioją aptarnavimo centrą aiškiai išdėstydami problemą ir nurodydami:

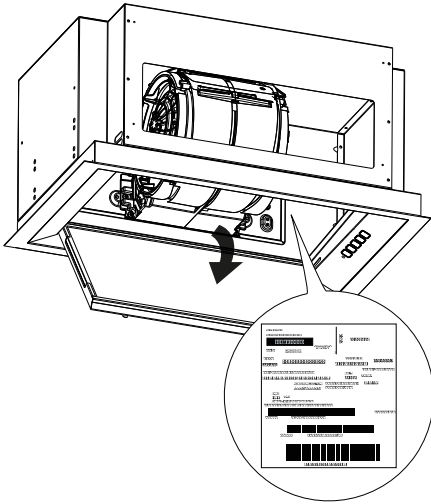
- gedimo tipas;
- modelis;
- prietaiso tipas ir serijos numeris (nurodytas plokštelėje).

TECHNINIAI DUOMENYS

		Įrenginys	Vertė
Produkto tipas			Integruotas gartraukis
Matmenys	Plotis	mm	599
	Gylis	mm	358
	Min./maks. aukštis	mm	290
Maks. oro srautas* - išleidimas		m3/val	450
Maks. triukšmo lygis - išleidimas		dBA	55
Maks. oro srautas* - recirkuliacija		m3/val	250
Maks. triukšmo lygis - recirkuliacija		dBA	66
Bendra galia		W	144
Informacija apie lempuotę	Tipas		LED juosta
	Skaičius ir galia		3,8 W
	Jungtis		N/D
Minimalus montavimo aukštis - dujinė kaitlentė		mm	650
Minimalus montavimo aukštis - elektrinė kaitlentė		mm	500
Grynasis svoris		Kg	8
* Maksimalus greitis (be intensyvaus nustatymo)			

Šis prietaisas buvo suprojektuotas, pagamintas ir parduodamas pagal EEB direktyvas 

Techniniai duomenys yra pateikti prietaiso viduje pritvirtintoje plokštelėje.



Energijos vartojimo efektyvumas

Informacija apie gaminį pagal ES reglamentą Nr. 66/2014	Įrenginys	Vertė
Tiekėjo pavadinimas	IKEA	
Modelio identifikatorius	MÅNGSBO 906.091.16 106.176.10 906.176.11	
Per metus suvartojama energija	kWh/a	26,9
Laiko padidėjimo faktorius		0,5
Skysčio dinaminis efektyvumas		40,5
Energijos efektyvumo indeksas		29,9
Išmatuotas oro srauto santykis esant didžiausiam efektyvumo taškui	m ³ /val.	410
Išmatuoto oro slėgis esant didžiausiam efektyvumo taškui	Pa	469
Maksimalus oro srautas	m ³ /val.	450
Išmatuota elektros galia esant didžiausiam efektyvumo taškui	W	132
Apšvietimo sistemos nominali galia	W	3,8
Vidutinis kaitlentės apšvietimo sistemos apšvietimas	Lux	275
Parengties režime pamatuotas srovės suvartojimas	W	0,49
Pamatuotas srovės suvartojimas, kai prietaisas išjungtas	W	0,0
Garso lygis esant maksimaliam greičiui (be intensyvaus nustatymo)	dB(A)	66

Pamatiniai standartai:

EN/IEC 61591
EN/IEC 60704-1
EN/IEC 60704-2-13
EN/IEC 60704-3
EN 50564


Energijos taupymas

Prietaisas turi savybių, padedančių sutaupyti energijos ruošiant maistą kiekvieną dieną.

Aplinkosaugos aspektai

Elektrinių buitinių prietaisų šalinimas




Simbolis  ant produkto arba ant jo pakuotės nurodo, kad produktas neturi būti šalinamas kartu su įprastomis buitinėmis atliekomis. Produktas turi būti šalinamas specializuotame elektrinių ir elektroninių komponentų perdirbimo centre. Pasirūpinus, kad šis produktas būtų šalinamas tinkamai, bus padedama išvengti neigiamų pasekmių aplinkai ir sveikatai, kurios kitu atveju, gali atsirasti šalinant netinkamai. Dėl išsamesnės informacijos apie tai, kaip perdirbti šį

produktą, kreipkitės į savivaldybės institucijas, į vietinę atliekų šalinimo tarnybą arba į parduotuvę, kurioje produktas buvo įsigytas.

Įrenginys atitinka direktyvą 2012/19/ES dėl elektros ir elektroninėje įrangoje naudojamų pavojingų medžiagų mažinimo ir atliekų šalinimo.

Pakavimo medžiagų šalinimas

Simboliu  pažymėtos medžiagos yra perdirbamos. Šalinkite pakavimo medžiagas specialiose perdirbimui skirtose surinkimo talpyklose.

IKEA garantija

Kiek laiko galioja IKEA garantija?

Ši garantija galioja penkerius (5) metus nuo pradinės jūsų įrenginio įsigijimo datos iš IKEA. Pirkimui įrodyti reikalaujama originalaus pardavimo kvito. Jei pagal garantiją atliekami priežiūros darbai, tai nepailgina įrenginio garantinio laikotarpio.

Kas suteikia pagalbą?

IKEA paslaugų teikėjas suteiks paslaugas per savo paslaugų operatorių arba įgaliotųjų paslaugų partnerių tinklą.

Kam ši garantija taikoma?

Garantija taikoma prietaiso gedimams, kurie atsirado dėl blogos konstrukcijos arba medžiagų defektų nuo gaminio pirkimo datos iš IKEA. Ši garantija taikoma tik buitiniam naudojimui skirtiems elektriniams prietaisams. Išimtyms yra nurodytas po antrašte „Kam ši garantija netaikoma“? Garantijos galiojimo laikotarpiu remonto išlaidos (atsarginės dalys, rankų darbas ir techninio personalo kelionės) bus padengto aptarnavimo tarnybos, su sąlyga, kad prieiga prie prietaiso norint atlikti priežiūros darbus nesukelia konkrečių išlaidų. Pagal šias sąlygas taikomos ES direktyvos (Nr. 99/44/EG) ir

atitinkamos vietinės taisyklės. Pakeistos dalys tampa IKEA nuosavybe.

Ką darys IKEA, kad ištaisytų problemą?

IKEA įgaliotos aptarnavimo tarnybos tiekėjas patikrins produktą ir savo paties nuožiūra nuspręs, ar jis atitinka garantijos sąlygas. Jei taip yra, IKEA aptarnavimo tarnybos tiekėjas arba jo įgaliotas aptarnavimo partneris savo aptarnavimo centruose savo paties nuožiūra nuspręs, ar pataisyti brokuotą produktą arba pakeisti lygiai tokiu pačiu arba tokios pačios vertės produktu.

Kam ši garantija netaikoma?

- Įprastam susidėvimui.
- Žalai, padarytai specialiai arba dėl aplaidumo, žalai, padarytai nesilaikant veikimo instrukcijų, netinkamai sumontavus arba prijungus prie klaidingos įtampos, žalai, padarytai dėl cheminių arba elektrocheminių reakcijų, rūdžių, korozijos arba žalai padarytai dėl vandens, įskaitant, bet neapsiribojant žala, padaryta dėl per didelio kalkių kiekio vandens vamzdžiuose ir žalai, padarytai dėl atmosferos ir gamtinių reiškinių.
- Sunaudojamoms dalims, įskaitant baterijas ir lemputes.
- Dekoracijoms ir ne funkcinėms dalims, kurių neturi įtakos normaliam elektrinio prie-

taiso naudojimui, įskaitant subraižymus ir spalvos pakitimus.

- Atsitiktinei žalai, padarytai dėl pašalinių medžiagų arba objektų ir filtrų valymo arba išėmimo, išleidimo sistemoms arba ploviklio stalčiams.
- Šių dalių žalai: keraminiam stiklui, priedams, indų ar stalo įrankių krepšiams, tiekimo ar drenažo vamzdžiams, sandariniams, lempoms ir lempų dangčiams, ekranams, rankenoms, apvalkalams ir apvalkalų dalims, išskyrus atvejus, jei bus galima įrodyti, kad tokia žala atsirado dėl gaminio defektų.
- Atvejams, kai atvykęs techninis darbuotojas negali nustatyti gedimo.
- Remonto darbams, kuriuos atliko ne mūsų įgaliotasis paslaugos teikėjas ir / arba įgaliotasis paslaugas pagal sutartį teikiantis partneris ar jei buvo naudojamos neoriginalios dalys.
- Remonto darbams, kuriuos reikėjo atlikti dėl netinkamo montavimo arba reikalavimų nesilaikymo.
- Elektrinio buitinio prietaiso naudojimui ne buitinėje aplinkoje, pavyzdžiui, kai jis naudojamas profesionaliai.
- Dėl gabenimo padarytai žalai. Jei perkėjas transportuoja gaminį į savo namus arba kitu adresu, IKEA nėra atsakinga už žalą, kuri gali atsirasti transportavimo metu. Tačiau jei gaminius pristato IKEA perkėjo adresu, tada žalai, kuri atsiranda jį pristatant, ši garantija yra taikoma.
- IKEA prietaiso pradinio montavimo kaina. Bet kokiu atveju, jei IKEA arba jo įgalioto aptarnavimo partnerio paskirtas aptarnavimo centras taiso arba pakeičia įrangą pagal garantiją, įgaliotasis aptarnavimo centras arba partneris taip pat vėl turės sumontuoti pataisytą įrangą arba sumontuoti pakeistą įrangą (jei reikia).

Šis apriojamas netaikomas kokybiškiems darbams, kuriuos atliko kvalifikuotas specialistas, naudodamas originalias dalis, turėdamas tikslą pritaikyti prietaisą prie techninių saugumo reikalavimų kitoje ES šalyje.

Nacionalinių įstatymų taikymas

IKEA garantija Jums suteikia specialias juridines teises, kurios apima ar viršija vietos reikalavimus. Bet kokiu atveju, šios sąlygos jokiū būdu neapsiriboja vietiniuose teisės aktuose aprašytomis naudotojo teisėmis.

Galiojimo sritis

Įrenginiams, kurie yra įsigijami vienoje iš ES šalių ir išvežami į kitą ES šalį, paslaugos bus teikiamos laikantis garantinių sąlygų, kurios paprastai galioja naujoje šalyje.

Įsipareigojimas suteikti aptarnavimą pagal garantijos sąlygas taikomas tik tada, jei prietaisas atitinka reikalavimus ir yra sumontuotas pagal:

- šalies, kurioje reikia taikyti garantiją, technines specifikacijas;
- naudojimo vadove pateiktą informaciją apie saugą.

IKEA elektrinių buitinių prietaisų aptarnavimo po pardavimo tarnyba

Nedvejodami kreipkitės į IKEA aptarnavimo po pardavimo tarnybą, kad:

1. paprašytumėte pagalbos pasinaudodami garantija;
2. paprašytumėte paaiškinimo dėl IKEA įrenginio montavimo naudojant specialius IKEA virtuvės baldus. Paslaugų centas nesuteiks paaiškinimų dėl:
 - bendrų IKEA virtuvės montavimo darbų;
 - jungimo į elektros tinklą (jei įrenginys yra be kištuko arba kabelio), jungimo prie vandens ir dujų sistemų, nes juos turi atlikti įgaliotasis paslaugų inžinierius;
3. paprašytumėte paaiškinimo apie naudotojo vadovo turinį ir IKEA įrenginio technines sąlygas.

Kad mūsų suteikiama pagalba būtų efektyvesnė, prieš kreipdamiesi į mus, atidžiai perskaitykite surinkimo nurodymus ir / arba šios brošiūros naudotojo vadovo skyrių.

Kaip mus pasiekti, jei jums reikia mūsų paslaugų



Norėdami surasti visą IKEA paskirtų priežiūros centrų sąrašą ir atitinkamus šalies telefono numerius, žiūrėkite paskutinį šio vadovo puslapį.

Svarbu! Norėdami suteikti greitesnę paslaugą, patariame naudoti telefono numerius, kurie yra nurodyti šio vadovo pabaigoje. Norėdami paprašyti pagalbos, visada vadovaukitės specialiais prietaiso

kodai, pateiktais šiame vadove. Prieš mums skambindami atsiminkite, kad turite nurodyti IKEA gaminio, dėl kurio jūs kreipėtės pagalbos, numerį (8 skaičių kodas).

Svarbu! IŠSAUGOKITE KVITĄ!

Tai yra jūsų pirkimo įrodymas, reikalingas garantijai taikyti. Atkreipkite dėmesį, kad kvite taip pat nurodytas kiekvieno IKEA gaminio pavadinimas ir kiekvieno įrenginio, kurį nusipirkote, numeris (8 skaičių kodas).

Jums reikia papildomos pagalbos?

Dėl kitų klausimų, nesusijusių su jūsų įrenginiu po jo pardavimo. Kreipkitės į artimiausią IKEA prekybos skambučių centrą. Prieš kreipdamiesi į mus, atidžiai perskaitykite įrenginio dokumentaciją.

Saturs

Informācija par drošību	251	Ko darīt, ja...	257
Vispārējā informācija	254	TEHNISKIE DATI	258
Izstrādājuma apraksts	255	Energoefektivitāte	260
Vadības panelis	255	Vides aspekti	261
Vispārīgi padomi	256	IKEA garantija	261
Tīrīšana un apkope	256		

Informācija par drošību

i Jūsu drošībai un pareizai ierīces darbībai, lūdzu, pirms uzstādīšanas un lietošanas uzmanīgi izlasiet šo rokasgrāmatu. Vienmēr saglabājiet šo instrukciju kopā ar ierīci, pat ja to pārdojat vai nododat trešajām personām. Ir svarīgi, lai lietotāji pārzinātu visas ierīces darbības un drošības funkcijas.

! Kabeļu pievienošana jāveic kompetentam tehniķim.

- Ražotājs nav atbildīgs par bojājumiem, kas radušies nepareizas uzstādīšanas vai izmantošanas dēļ.
- Minimālais drošības attālums starp plīts virsmu un tvaika nosūcēju ir 500 mm elektriskajiem tvaika nosūcējiem un 650 mm gāzes tvaika nosūcējiem.
- Ja gāzes plīts uzstādīšanas instrukcijā ir norādīts attālums, kas ir lielāks par iepriekš norādīto, tas ir jāņem vērā.
- Pārbaudiet, vai tīkla spriegums atbilst tam, kas norādīts uz tvaika nosūcēja iekšpusē esošās datu plāksnītes.
- Atvienojot ierīci jāuzstāda fiksētajā sistēmā saskaņā ar noteikumiem par elektroinstalācijas sistēmām.
- Attiecībā uz I klases ierīcēm pārbaudiet, vai sadzīves baroša-

nas avotam ir piemērots zemējuma savienojums.

- Savienojiet tvaika nosūcēju ar dūmvadu ar cauruli, kuras minimālais diametrs ir 150 mm. Dūmgāzu ceļam jābūt pēc iespējas īsākam.
- Jāievēro visi noteikumi par gaisa izvadīšanu.
- Nepievienojiet tvaika nosūcēju dūmu kanāliem, kas novada sadegšanas dūmus (piem., no katliem, kamīniem, utt.).
- Ja tvaika nosūcējs tiek izmantots kopā ar neelektriskām ierīcēm (piemēram, gāzes iekārtām), telpā ir jānodrošina pietiekama ventilācija, lai novērstu izplūdes gāzu atpakaļplūsmu. Lietojot virtuves tvaika nosūcēju kopā ar ierīcēm, kas netiek darbinātas ar elektrību, negatīvais spiediens telpā nedrīkst pārsniegt 4 Pa, lai no tvaika nosūcēja novērstu atpakaļ ievilkšanu telpā.
- Gaisu nedrīkst izvadīt pa kanālu, kuru izmanto dūmu izvadīšanai no sadedzināšanas iekārtām, kuras darbina ar gāzi vai citu kurināmo.
- Ja barošanas vads ir bojāts, tad tas ir jāaizstāj ar ražotāja vai tehniskās apkalpošanas aģenta piegādātu barošanas vadu.
- Kontaktdakšu pievienojiet kontaktligzdai, kas atbilst spēkā esošajiem noteikumiem un atrodas pieejamā vietā.
- Attiecībā uz tehniskajiem un drošības pasākumiem, kas veicami dūmgāzu novadīšanai, ir svarīgi rūpīgi ievērot vietējo iestāžu noteiktos noteikumus.

⚠ BRĪDINĀJUMS: pirms tvaika nosūcēja uzstādīšanas noņemiet aizsargplēves.

- Izmantojiet tikai skrūves un nelielas detaļas, kas ir piemērotas tvaika nosūcējam.

⚠ BRĪDINĀJUMS: nelietojot skrūves vai stiprinājumus saskaņā ar šiem norādījumiem, var rasties elektriskās strāvas trieciena risks.

- Pievienojiet tvaika nosūcēju elektrības padevei, izmantojot bipolāru slēdzi ar vismaz 3 mm kontaktu atstarpi.
- Neskatīties uz gaismu caur optiskajām ierīcēm (binokli, palielināmajiem stikliem...).
- Neļambrējiet zem tvaika nosūcēja: var izcelties ugunsgrēks.
- Šo ierīci lietot drīkst 8 gadus veci un vecāki bērni, kā arī personas ar ierobežotām fiziskām, sensoriskām vai garīgām spējām, vai personas, kam nav pieredzes un zināšanu, ja vien viņi tiek rūpīgi uzraudzīti un instruēti par ierīces drošu lietošanu un riskiem, kas ar to ir saistīti. Bērni nedrīkst spēlēties ar ierīci. Tīrīšanu un ierīces kopšanu nedrīkst veikt bērni, ja tie netiek uzraudzīti.
- Mazi bērni ir jāuzrauga, lai tie nespēlētos ar ierīci.
- Ierīci nedrīkst lietot cilvēki (ieskaitot bērnus) ar ierobežotām psiho-fiziskām un sensorām spējām vai nepietiekamu pieredzi un zināšanām, ja vien viņi netiek rūpīgi uzraudzīti un instruēti.

⚠ Lietojot gatavošanas ierīces, pieejamās daļas var kļūt ļoti karstas

- Pēc noteiktā laika notīriet un/vai nomainiet filtrus (ugunsbīstamība).
- Telpā jābūt atbilstošai ventilācijai, ja tvaika nosūcējs tiek lietots vienlaikus ar ierīcēm, kas izmanto gāzi vai citu kurināmo (nav attiecināms uz ierīcēm, kas tikai izvada gaisu no telpas).
- Tvaika nosūcēji un citi gatavošanas tvaiku nosūcēji degšanas gāzu atgriešanās plūsmas dēļ var pasliktināt tādu ierīču drošu darbību, kurās sadedzina gāzi vai citu degvielu (ieskaitot ierīces, kas atrodas citā vidē). Šīs gāzes var izraisīt saindēšanos ar oglekļa monoksīdu. Pēc tvaika nosūcēja vai jebkura cita gata-

vošanas tvaika nosūcēja uzstādīšanas pārliecinieties, vai gāzes ierīces pārbaudīja kompetenta persona, lai nodrošinātu, ka nav degšanas gāzu atpakaļplūdes.

Vispārējā informācija

Izmantošana

- Pirms jebkādas tīrīšanas vai apkopes darbības izslēdziet vai atvienojiet ierīci no strāvas padeves.
- Tvaika nosūcēju nedrīkst izmantot kā atbilsta virsmu.
- Tvaika nosūcējs ir paredzēts tikai ēdiena gatavošanas smaku novēršanai mājstarpniecībā.
- Nekad neizmantojiet tvaika nosūcēju citiem mērķiem, kā vien tiem, kādiem tas ir paredzēts.
- Nekad neatstājiet spēcīgu liesmu zem tvaika nosūcēja, kad tas darbojas.
- Noregulējiet liesmas intensitāti tā, lai tā būtu vērsta tikai uz gatavošanas trauka pamatni, neaptverot sānu daļu.
- Lietošanas laikā cepšanas iekārtas ir pastāvīgi jāuzrauga: pārkarsēta eļļa var aizdegties.

Uzstādīšanas režīms

Tvaika nosūcējs ir paredzēts uzstādīšanai un lietošanai "sūkšanas versijā" vai "gaisa recirkulācijas versijā".



Sūkšanas versija (skatiet simbolu uzstādīšanas instrukcijā)

Gatavošanas tvaiks tiek iesūkts un izvadīts ārpus telpas caur izplūdes caurulī (nav iekļauta komplektācijā) kas uzstādīta pie tvaika nosūcēja izvada. Pārliecinieties, vai izvades šļūtene ir pareizi uzstādīta pie gaisa izvades atveres, izmantojot piemērotu savienojuma sistēmu.



Recirkulācijas versija (skatiet simbolu uzstādīšanas instrukcijā)

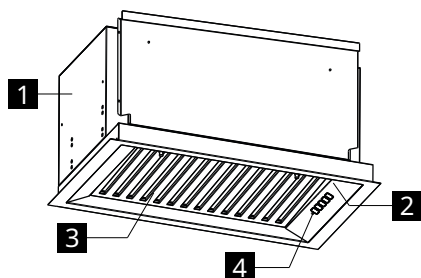
Gaiss tiek filtrēts caur vienu vai vairākiem filtriem un pēc tam tiek novadīts atpakaļ telpā.

Svarīgi! Pārliecinieties, vai ap tvaika nosūcēju ir pareiza gaisa cirkulācija.

Svarīgi! Ja tvaika nosūcējs nav piegādāts ar ogļu filtriem, tie jāpasūta un jāuzstāda pirms ierīces lietošanas. Filtri ir komerciāli pieejami.


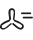



Tvaika nosūcējs jāuzstāda tālāk no īpaši netīrām vietām, logiem, durvīm un siltuma avotiem. Sienas stiprināšanas piederumi nav iekļauti, jo tie atšķiras atkarībā no sienas materiāla. Izmantojiet stiprinājuma sistēmas, kas piemērotas jūsu telpas sienām un ierīces svaram. Lai iegūtu sīkāku informāciju, sazinieties ar specializētu izplatītāju. Saglabājiet šo instrukciju turpmākai uzziņai.

Izstrādājuma apraksts



- 1 Tvaika nosūcēja korpuss
- 2 Apgaismojums
- 3 Prettauku filtrs
- 4 Vadības panelis

Vadības panelis

					
	A	B	C	D	E
Taustiņš	Nospiediet taustiņu	Funkcija			Gaismas diode
A Ātrums	Īss	Ieslēgt/izslēgt motoru pirmajā ātrumā.			Ieslēgts vai Izslēgts
B Ātrums	Īss	Darbina motoru ar diviem ātrumiem. Jāatlasa poga A .			A + B ieslēgti
C Ātrums	Īss	Darbina motoru ar trīs ātrumiem. Jāatlasa poga A .			A + C ieslēgti
D Ātrums	Īss	Ieslēgt motoru pastiprinātāja ātrumā. Šis ātrums ir iestatīts uz 6 minūtēm. Pēc tam sistēma automātiski atgriezīsies iepriekš uzstādītajā ātrumā. Ja tas tiek aktivizēts kopā ar izslēgtu motoru, tad tas laika perioda beigās tiek IZSLĒGTS. Lai to deaktivizētu, nospiediet pogu A,B vai C. Pogai A jābūt atlasītai.			A ieslēgts D mirgo
E Apgaismojums	Īss	Ieslēgt un izslēgt apgaismojuma sistēmu ar maksimālu intensitāti.			Ieslēgts vai Izslēgts
	Ilgs	Palielina vai samazina apgaismojuma intensitāti.			Ieslēgts vai Izslēgts

Vispārīgi padomi

- Uzsākot gatavošanu, darbiniet tvaika nosūcēju ar minimālu ātrumu un ļaujiet tam darboties dažas minūtes pēc gatavošanas beigām.
- Palieliniet ātrumu tikai liela dūmu un tvaiku daudzuma klātbūtnē un izmantojiet intensīvo(-s) ātrumu(-s) tikai ekstremālās situācijās.
- Ja nepieciešams, nomainiet ogles filtra vai filtrus, lai saglabātu labu smakas mazināšanas efektivitāti.
- Ja nepieciešams, notīriet prettauku filtru un filtrus, lai uzturētu labu tauku uzsūkšanas efektivitāti.
- Izmantojiet šajā rokasgrāmatā norādīto maksimālo kanāla diametru, lai optimizētu efektivitāti un samazinātu troksni.

Tīrīšana un apkope

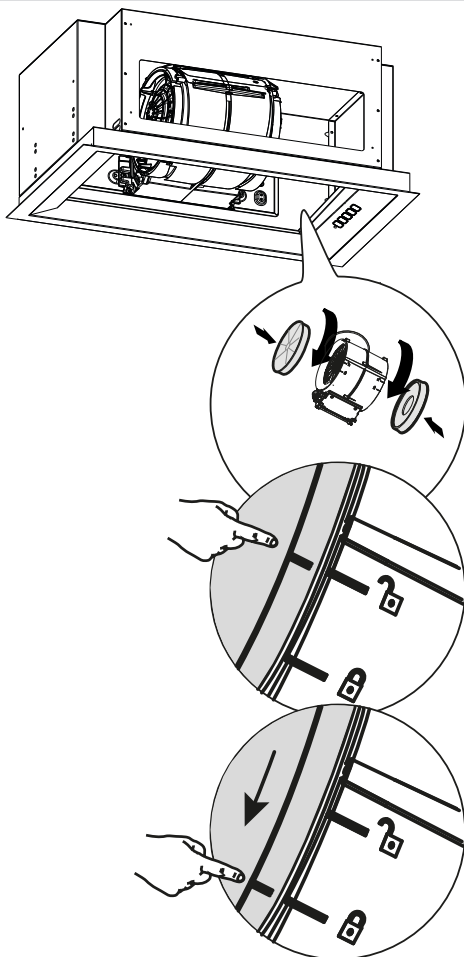


Pirms jebkādas apkopes darbības izslēdziet vai atvienojiet ierīci no strāvas padeves.

SVARĪGI! Notīriet tvaika nosūcēju, izmantojot mitru drānu un neitrālu šķīdru mazgāšanas līdzekli.

Ilgmūžīgs ogles filtra (Zaļš)

Pretsmaku filtru var mazgāt un reģenerēt ik pēc 3-4 mēnešiem (vai biežāk, ja tvaika nosūcējs tiek pakļauts intensīvai lietošanai), maksimāli līdz 8 reģenerācijas cikliem (īpaši intensīvas lietošanas gadījumā ieteicams nepārsniegt 5 ciklus).



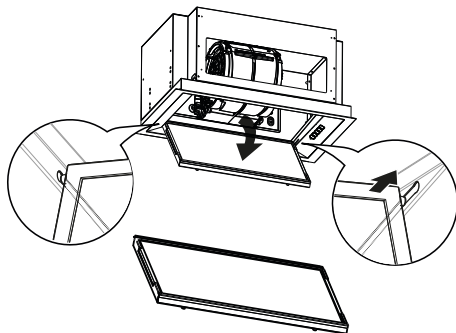
Reģenerācijas procedūra

- Mazgāt trauku mazgājamajā mašīnā MAK-SIMĀLI 70° C temperatūrā vai rokām karstā ūdenī, nelietojot abrazīvus sūkļus (nelietot mazgāšanas līdzekļus!).
- Žāvēt 2 stundas cepeškrāsnī MAKSIMĀLI 70°C temperatūrā (ieteicams rūpīgi izlasīt savas iegādātās cepeškrāsns ekspluatācijas un montāžas instrukcijas).

Prettauku filtri

Turpiniet tīrīt vai nomainiet filtrus norādītajos laika intervālos, lai tvaika nosūcējs būtu labā darba kārtībā un izvairītos no iespējamās ugunsbīstamības, ko rada pārmērīga tauku uzkrāšanās. Prettauku filtri jātīra ik pēc 2 darbības mēnešiem vai ļoti intensīvas

lietošanas gadījumā biežāk, un tos var mazgāt trauku mazgājamajā mašīnā.



Lampu nomaiņa

Lai veiktu nomaiņu, sazinieties ar pilnvarotu servisa centru.

Ko darīt, ja...

Ja ir kļūme, vispirms mēģiniet atrast risinājumu ar pašu spēkiem. Ja ar pašu spēkiem nevarat atrisināt problēmu, sazinieties ar pilnvarotu servisa centru.

i Ierīces nepareizas lietošanas vai uzstādīšanas gadījumā, neievērojot montāžas instrukcijas, var būt nepieciešams apmeklēt pilnvarotā palīdzības centra tehniķi pat garantijas darbības laikā.

PROBLĒMA	IESPĒJAMAIS CĒLONIS	RISINĀJUMS
Ierīce nav stabila.	Ierīce nav pareizi uzstādīta.	Ievērojiet ierīces komplektācijā iekļautās uzstādīšanas instrukcijas.
Ierīce nav nolīmeņota.	Ierīce nav pareizi uzstādīta.	Ievērojiet ierīces komplektācijā iekļautās uzstādīšanas instrukcijas.
Veiktspēja tauku uztveršanas ziņā nav apmierinoša.	Eļļas un tauku klātbūtne uz metāla filtriem vai oglekļa filtriem.	Ievērojiet filtru tīrīšanas biežumu, kā aprakstīts lietotāja rokasgrāmatā.
Ierīce nedarbojas.	Ierīce nav pareizi pievienota.	Pārbaudiet, vai strāvas kabelis ir pievienots motora blokam vai arī kontaktdakša ir pievienota kontaktligzdai.
Gaisma nedarbojas.	Gaismas diode ir bojāta.	Lai veiktu nomaiņu, sazinieties ar pilnvarotu servisa centru.
Tvaika nosūcējs ir trokšņaināks par klienta prasībām.	Gaisa atveres diametrs sienā ir pārāk mazs un izraisa spiediena pazemināšanos un motora apgrīzēju skaita palielināšanos.	Ievērojiet ierīces komplektācijā iekļautās uzstādīšanas instrukcijas.
	Produkts ir uzstādīts recirkulācijas režīmā.	Produkts recirkulācijas režīmā (un ar uzstādītu oglekļa filtru) ir skaļāks nekā produkts sūkšanas režīmā.
	Ventilācijas kanālam ir vairāk nekā viens izliekums.	Ja ēkas dūmu novadīšanas sistēmai ir vairāki izliekumi vai tā aptver lielu attālumu, produkts var būt trokšņaināks.

Pirms sazināšanās ar pilnvaroto palīdzības centru:

Atkārtoti ieslēdziet barošanu, lai redzētu, vai problēma ir pazudusi. Pretējā gadījumā izslēdziet to vēlreiz un atkārtojiet darbību pēc


stundas. Ja ierīce joprojām nedarbojas pareizi pēc problēmu novēršanas rokasgrāmatā norādīto pārbauciņu veikšanas un ierīces atkārtotas ieslēgšanas, sazinieties ar

pilnvaroto palīdzības centru, pienācīgi izskaidrojot problēmu un norādi:

- kļūmes veidu;
- modeli;
- ierīces tipu un sērijas numuru (norādīti uz datu plāksnītes).

TEHNISKIE DATI

		Mērvienība	Vērtība
Produkta tips			Iebūvēts tvaika nosūcējs
Izmēri	Platums	mm	599
	Dziļums	mm	358
	Augstums min./maks	mm	290
Maksimālā gaisa plūsma * - izplūde		m ³ /h	450
Maksimālais trokšņa līmenis- izplūde		dBA	55
Maksimālā gaisa plūsma* - recirkulācija		m ³ /h	250
Maksimālais trokšņa līmenis* - recirkulācija		dBA	66
Kopējā jauda		W	144
Lampas informācija	Tips		LED josla
	Jauda		3,8 W
	Savienojums		N/D
Minimālais uzstādīšanas augstums - gāzes plīts		mm	650
Minimālais uzstādīšanas augstums - elektriskā plīts		mm	500
Neto svars		Kg	8
* Maksimālais ātrums (bez intensīva līmeņa iestatīšanas)			

Šī ierīce ir projektēta, ražota un pārdota saskaņā ar EEK direktīvām .

Tehniskie dati ir norādīti uz plāksnītes, kas atrodas ierīces iekšpusē.

Energoefektivitāte

Informācija par produktu saskaņā ar ES regulu Nr. 66/2014	Mērvienība	Vērtība
Piegādātāja nosaukums	IKEA	
Modeļa identifikators	MĀNGSBO 906.091.16 106.176.10 906.176.11	
Gada enerģijas patēriņš	kWh/a	26,9
Laika palielinājuma faktors		0,5
Šķidrumsa dinamiskā efektivitāte		40,5
Energoefektivitātes indekss		29,9
Izmērītā gaisa plūsma visefektīvākajā punktā	m ³ /h	410
Izmērītais gaisa spiediens visefektīvākajā punktā	Pa	469
Maksimālā gaisa plūsma	m ³ /h	450
Izmērītā elektriskā jauda visefektīvākajā punktā	W	132
Apgaisojuma sistēmas nominālā jauda	W	3,8
Apgaisojuma sistēmas vidējais apgaismojums uz plīti	Lukss	275
Strāvas patēriņš, kas mērīts gaidīšanas režīmā	W	0,49
Strāvas patēriņš, ko mēra izslēgtā režīmā	W	0,0
Skaņas līmenis pie maksimālā ātruma (bez intensīvas iestatīšanas)	dba	66

Atsauces standarti:

EN/IEC 61591
EN/IEC 60704-1
EN/IEC 60704-2-13
EN/IEC 60704-3
EN 50564


Enerģijas taupīšana

Ierīcei ir funkcijas, kas palīdz taupīt enerģiju ikdienas gatavošanas laikā.

Vides aspekti

Sadzīves tehnikas utilizācija




Simbols  uz produkta vai tā iepakojuma norāda, ka produktu nedrīkst izmest kopā ar parastajiem sadzīves atkritumiem. Produkts jānodod utilizācijai centrā, kas specializējas elektrisko un elektronisko komponentu pārstrādē. Nodrošinot šī produkta pareiza utilizāciju, jūs palīdzēsiet novērst iespējamās negatīvās sekas videi un veselībai, kas citādi varētu rasties, atbrīvojoties no produkta nepareizi. Lai iegūtu sīkāku informāciju par šī

produkta pārstrādi, sazinieties ar pašvaldības iestādēm, vietējo atkritumu savākšanas dienestu vai veikalu, kurā iegādājāties produktu.

Ierīce atbilst elektrisko un elektronisko ierīču bīstamo vielu lietojuma samazināšanas un atkritumu utilizācijas direktīvai 2012/19/ES.

Iepakojuma materiālu utilizācija

Materiāli ar simbolu  ir pārstrādājami. Atbrīvojieties no iepakojuma pārstrādei piemērotos savākšanas konteineros.

IKEA garantija

Cik ilgi spēkā ir IKEA garantija?

Šī garantija ir derīga piecus (5) gadus no ierīces pirkšanas datuma IKEA. Kā pirkuma pierādījums nepieciešams pirkuma čeks. Remonts, kas veikts saskaņā ar garantiju, nepagarina ierīces garantijas laiku.

Kas sniedz palīdzību?

Servisu veiks IKEA servisa pārstāvis ar saviem spēkiem vai ar autorizētu partneru tīkla starpniecību.

Kas iekļauts šajā garantijā?

Garantija attiecas uz ierīces defektiem, kas radušies ražošanas vai materiālu brāķa rezultātā pēc iegādes no IKEA datuma. Garantija ir spēkā tikai sadzīves tehnikai, kas paredzēta sadzīves lietošanai. Izņēmumi ir norādīti sadaļā "Kas nav iekļauts šajā garantijā?" Garantijas derīguma laikā remonta izmaksas (rezerves daļas, tehniskā personāla darbs un ceļa izdevumi) sedz palīdzības dienests ar nosacījumu, ka piekļuve remontam paredzētajai ierīcei nerada īpašus izdevumus. Šie nosacījumi atbilst ES direktīvām (Nr. 99/44/EK) un piemērojamajiem vietējiem standartiem un noteikumiem. Nomainītās detaļas kļūst par IKEA īpašumu.

Ko IKEA darīs, lai atrisinātu problēmu?

IKEA ieceltais pakalpojumu sniedzējs pārbaudīs produktu un pēc saviem ieskatiem izlems, vai uz to attiecas garantijas segums. Pozitīvā gadījumā IKEA pakalpojumu sniedzējs vai tā pilnvarotais servisa partneris ar savu servisa centru starpniecību pēc saviem ieskatiem vai nu salabos bojāto produktu, vai arī aizstās to ar tādu pašu vai vienādas vērtības produktu.

Kas nav iekļauts šajā garantijā?

- Normāls nodilums.
- Bojājumi, kas radušies tīši vai nolaidības dēļ, bojājumi, ko izraisījusi lietošanas instrukciju neievērošana, nepareiza uzstādīšana vai nepareiza sprieguma pieslēgšana, ķīmisko vai elektroķīmisko reakciju radītie bojājumi, rūsas, korozijas vai ūdens bojājumi, tostarp radītie neierobežojošie bojājumi pārmērīga kaļķakmens klātbūtnē ūdensvados un kaitējums, ko rada atmosfēras un dabas notikumi.
- Nolietajamie materiāli, ieskaitot baterijas un spuldzes.
- Dekoratīvas un nefunkcionālas daļas, kas neietekmē ierīces normālu lietošanu, ieskaitot skrāpējumus un krāsu variācijas.
- Nejauši bojājumi, ko rada svešas vielas vai ķermeņi, un filtru, kanalizācijas sistēmu vai mazgāšanas līdzekļu atvilktnu tīrīšana vai

atbrīvošana.

- Bojājumi tādām detaļām kā stikla keramika, piederumi, trauki un galda piederumu grozi, padeves un notekas caurules, blīves, spuldzes un to pārvalki, starpsienas, kloķi, paneļi un apšuvuma daļas, ja vien nevar pierādīt, ka šādi bojājumi ir ražošanas defekti.
- Gadījumi, kad tehnika apmeklējuma laikā netiek konstatēti defekti.
- Remonts, ko neveic IKEA izraudzītais pakalpojumu sniedzējs vai pilnvarots servisa partneris, vai remonts, izmantojot neoriģinālās detaļas.
- Remonts, ko izraisījusi nepareiza vai specifiskajām neatbilstoša uzstādīšana.
- Ierīces lietošana ārpus mājas, piemēram, profesionālai lietošanai.
- Bojājumi, kas radušies transportēšanas laikā. Ja produkta transportēšanu līdz mājām vai uz citu adresi veic klients, IKEA neuzņemas jebkādu atbildību par jebkādiem bojājumiem, kas var rasties transportēšanas laikā. Tomēr, ja produkta piegādi līdz klienta piegādes adresei veic IKEA, garantija būs spēkā attiecībā uz šīs piegādes laikā radītajiem bojājumiem.
- IKEA ierīces sākotnējās uzstādīšanas izmaksas. Tomēr, ja IKEA ieceltais pakalpojumu sniedzējs vai tā pilnvarotais servisa partneris veic iekārtas remontu vai nomaiņu saskaņā ar garantiju, piegādātājam vai pilnvarotajam servisa partnerim vajadzības gadījumā arī jāpārinstalē salabotā iekārta vai jāinstalē aizstājējiekārta.

Šis ierobežojums neattiecas uz kvalificēta speciālista pareizi izpildītu darbu, kurā izmantotas mūsu oriģinālās rezerves daļas, ar kurām ierīce ir pielāgota citas ES valsts tehniskās drošības prasībām.

Valstu tiesību aktu piemērojamība

IKEA Jums garantē Jūsu likumiskās tiesības, kas attiecas vai pārsniedz vietējās prasības. Tomēr šie nosacījumi nekādā veidā neierobežo vietējā likumdošanā aprakstītās patērētāja tiesības.

Derīguma zona

Ierīcēm, kuras iegādātas vienā ES valstī un

kuras pārvietotas uz citu ES valsti, serviss normālas garantijas nosacījumu ietvaros tiks nodrošināts jaunajā valstī. Pienākums sniegt pakalpojumu saskaņā ar garantijas noteikumiem pastāv tikai tad, ja ierīce ir atbilst un uzstādīta saskaņā ar:

- tās valsts, kurā tiek pieprasīta garantijas piemērošana, tehniskām specifikācijām;
- drošības informāciju, kas ietverta lietotāja rokasgrāmatā.

IKEA ierīču pēcpārdošanas serviss:

Nevilcinieties sazināties ar IKEA pēcpārdošanas servisu, lai:

1. lūgtu palīdzību, izmantojot garantiju;
2. lūgtu paskaidrojumus par IKEA ierīču uzstādīšanu konkrētos IKEA virtuves skapjos. Serviss nesniedz skaidrojumus, kas saistīti ar:
 - nokomplektētu IKEA virtuvju uzstādīšanu;
 - elektriskiem savienojumiem (ja ierīce tiek piegādāta bez kabeliem un kontaktdakšām), hidrauliskiem savienojumiem un savienojumiem ar gāzes sistēmu, kas jāveic pilnvarotam servisa tehniķim.
3. lūgtu paskaidrojumus par lietotāja rokasgrāmatas saturu un par IKEA ierīces specifikācijām.

Lai nodrošinātu to, ka mēs Jums sniegsim vislabāko atbalstu, lūdzu, pirms sazināšanās ar mums, rūpīgi izlasiet Montāžas instrukciju un/vai šīs brošūras Lietotāja instrukcijas sadaļu.

Kā sazināties ar mums, ja jums nepieciešama mūsu palīdzība



Skatiet pilnu IKEA pakalpojumu sniedzēju sarakstu un attiecīgo valstu tālrunu numurus šīs rokasgrāmatas pēdējā lappusē.

Svarīgi! Lai nodrošinātu ātrāku servisu, iesakām izmantot šīs rokasgrāmatas beigās norādītos tālruņa numurus. Lai lūgtu palīdzību, vienmēr skatiet īpašos ierīces kodus, kas atrodami šajā rokasgrāmatā. Pirms sazināties ar mums, pārlicinieties, ka jums ir ierīces, saistībā ar kuru jūs lūdzat palīdzību, IKEA produkta kods (8 cipari).

Svarīgi! Saglabājiet kvīti!

Šis ir jūsu pirkuma apliecinājums, un tas ir

jāuzrāda, lai izmantotu garantijas priekšrocības. Kvītī tiek norādīti arī katras iegādātā IKEA ierīces nosaukums un kods (8 cipari).

Vai Jums nepieciešama papildu palīdzība?

Visi jautājumi, kas nav saistīti ar Jūsu ierīču pēcpārdošanas servisu. Lūdzu, sazinieties ar tuvākā IKEA veikala zvanu centru. Mēs iesakām pirms sazināšanās ar mums izlasīt ierīces dokumentāciju.

Sisu

Ohutusteave	264	Mida teha, kui...	270
Üldteave	267	TEHNILISED ANDMED	271
Toote kirjeldus	268	Energiatõhusus	273
Juhtpaneel	268	Keskkonda puudutav teave	274
Üldised soovitused	269	IKEA garantii	274
Hooldus ja puhastamine	269		


Ohutusteave

i Teie turvalisuse ja seadme õige kasutamise huvides lugege enne paigaldamist ja kasutamist see juhend hoolikalt läbi. Säilitage neid juhiseid alati koos seadmega ning seadme üle andmisel kolmandatele isikutele andke kaasa ka kasutusjuhend. On oluline, et kasutajad oleksid tuttavad seadme kõigi töö- ja ohutusfunktsioonidega.


! Juhtmed peab ühendama pädev tehnik.

- Tootja ei vastuta kahjustuste eest, mis tulenevad toote valest paigaldamisest või kasutamisest.
- Pliidiplaadi ja õhupuhasti vaheline minimaalne ohutu kaugus on elektriliste pliitide korral 500 mm ja gaasiga töötavate pliitide korral 650 mm.
- Kui gaasipliidi paigaldamise juhistes on ette nähtud suurem kaugus, tuleb seda arvesse võtta.
- Kontrollige, et võrgupinge vastaks õhupuhasti sees oleval andmesildil märgitud pingele.
- Lahutusseadmed tuleb paigaldada püsiseadmesse kooskõlas juhtmesüsteemide eeskirjadega.

- I klassi seadmete korral kontrollige, kas kodusel toiteallikal on piisav maandus.
- Ühendage õhupuhasti lõõriga minimaalselt 150 mm läbimõõduga toruga. Suitsu tee välja peab olema võimalikult lühike.
- Järgida tuleb kõiki õhu välja suunamise eeskirju.
- Ärge ühendage õhupuhastit lõõriga, mis juhivad põlemisaure (nt kateldest, kaminatest jne).
- Kui õhupuhastit kasutatakse koos mitteelektriliste seadmetega (nt gaasiseadmed), peab ruumis olema tagatud piisav ventilatsioon, mis aitab vältida heitgaaside tagasivoolu. Kui õhupuhastit kasutatakse seadmetega, mis ei tööta elektritoitel, ei tohi alarõhk ruumis olla suurem kui 4 Pa, et õhupuhasti ei saaks suitsu tagasi tuppa tõmmata.
- Õhku ei tohi välja suunata läbi kanali, mida kasutatakse gaasi või muude kütustega töötavate põlemisseadmete suitsu väljajuhtimiseks.
- Kui toitekaabel on kahjustatud, tuleb see asendada tootjalt või selle hooldusesindajalt saadaval oleva kaabliga.
- Ühendage pistik kehtivatele määrustele vastavasse ligipääsetavas kohas asuvasse pistikupessa.
- Suitsugaaside väljajuhtimisel rakendatavate tehniliste ja ohutusmeetmete asjus on oluline järgida täpselt kohalikke kehtivaid eeskirju.

 **HOIATUS!** Enne õhupuhasti paigaldamist eemaldage kaitsekiled.

- Kasutage ainult õhupuhastiga sobivaid kruvisid ja väikeseid osi.

 **HOIATUS!** Kruvide või kinnituseadise paigaldamine teisiti kui nendes juhtistes ette nähtud võib põhjustada elektrilööke.

- Ühendage õhupuhasti elektrivõrku, kasutades bipolaarset lü-

litit, mille kontaktide vahe on vähemalt 3 mm.

- Ärge vaadake optiliste seadmete (binoklid, suurendusklaasid...) abil otse valgusesse.
- Ärge flambeerige õhupuhasti all: võib tekkida tulekahju.
- 8-aastased ja vanemad lapsed ning isikud, kellel on piiratud füüsilised, sensoorsed või vaimsed võimed või kellel puuduvad kogemused ja teadmised seadme kasutamise kohta, võivad seda seadet kasutada, kui neid jälgitakse või juhendatakse seadme ohutul kasutamisel ning nad mõistavad sellega seotud ohtusid. Lapsed ei tohi seadmega mängida. Puhastamist ja kasutajapoolset hooldust ei tohi teostada järelevalveta lapsed.
- Jälgige lapsi ja veenduge, et nad ei mängiks seadmega.
- Seda seadet ei tohi kasutada inimesed (sealhulgas lapsed), kellel on piiratud füüsilised, vaimsed või sensoorsed võimed või kellel pole seadme kasutamiseks piisavaid kogemusi ega teadmisi, välja arvatud juhul, kui nad teevad seda järelevalve all ja neid juhendatakse.

⚠ Ligipääsetavad osad võivad seadmete kasutamisel väga kuumaks minna

- Pärast määratud aja möödumist puhastage filtrid ja/või vahetage need välja (tuleoht).
- Ruumis peab olema piisav ventilatsioon, kui õhupuhastit kasutatakse samal ajal gaasi või muud kütust kasutavate seadmetega (ei kehti seadmete korral, mis juhivad ruumi ainult õhku).
- Köögi õhupuhastid ja muud toiduvalmistamisauru eemaldid võivad põlemisgaaside tagasivoolu tõttu takistada gaasi või muid kütuseid põletavate seadmete (ka muudes ruumides) ohutut kasutamist. Need gaasid võivad põhjustada süsinikmonooksiidi mürgitust. Pärast õhupuhasti või muu toiduvalmistamisauru eemaldusseadme paigaldamist laske gaasiseadmeid kontrollida pädeval isikul, kes veendub, et põlemisgaasid

ei saaks tagasi suunduda.

Üldteave

Kasutamine

- Enne mis tahes hooldus- või puhastustoi- minguid tuleb seade välja lülitada või voo- luvõrgust eraldada.
- Õhupuhastit ei tohi kasutada tugipinnana.
- Õhupuhasti on mõeldud ainult toiduval- mistamise lõhnade eemaldamiseks kodu- sel kasutamisel.
- Keelatud on kasutada õhupuhastit muul otstarbel kui see, milleks see on mõeldud.
- Keelatud on kõrge leek õhupuhasti all, kui see töötab.
- Reguleerige leegi intensiivsust nii, et see oleks suunatud ainult anuma põhja alla, jäl- gides, et see ei ulatuks anuma külgedelt välja.
- Frittereid tuleb kasutamise ajal pidevalt jäl- gida – õli võib liiga kuumaks minnes sütti- da.

Paigaldamisjuhised

Õhupuhasti on mõeldud paigaldamiseks ja kasutamiseks kas väljatõmbeversioonis või õhuringluse versioonis.



Väljatõmbeversioon (vt paigaldusjuhendis olevat sümbolit)

Toiduvalmistamise aur imetakse ära ja juhitakse majast välja läbi õhupuhasti auru väljalaskeava juurde paigaldatud väljalasketoru (pole kaasas). Veenduge, et väljalasketoru on õhu väljalaskeavasse õigesti paigaldatud ning kasutatud on sobivat ühendussüsteemi.



Õhuringluse versioon (vt paigaldusjuhendis olevat sümbolit)

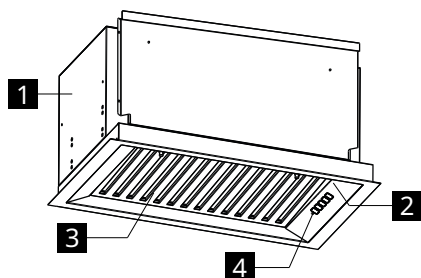
Õhk filtreeritakse läbi ühe või mitme filtri ja suunatakse seejärel tagasi ruumi.

Tähtis! Veenduge, et õhupuhasti ümber oleks korralik õhuringlus.

Tähtis! Kui õhupuhastiga ei ole kaasas söefiltreid, tuleb need enne seadme kasutamist tellida ja paigaldada. Filtrid on kaubanduses saadaval.


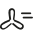



Õhupuhasti tuleb paigaldada eemale eriti määrdu- nud kohtadest, akendest, ustest ja soojusallikatest. Seinakinnitustarvikud ei kuulu komplekti, kuna need erinevad olenevalt seina materjalist. Kasutage oma kodu seintele ja seadme kaalule sobivaid kinnitussüsteeme. Täpsema teabe saamiseks pöörduge spetsialiseeritud edasimüüja poole. Hoidke need juhised edaspidiseks kasutamiseks alles.

Toote kirjeldus



- 1 Õhupuhasti korpus
- 2 Valgustus
- 3 Rasvafilter
- 4 Kontrollpaneel

Juhtpaneel

    			
<div style="display: flex; justify-content: space-around; width: 100%;"> A B C D E </div>			
Nupp	Nupuvajutus	Funktsioon	LED
A kiirus	Lühike	Lülitab mootori sisse/välja esimesel kiirusel.	Sisse ja välja lülitatud
B kiirus	Lühike	Lülitab sisse mootori 2. kiiruse. Nupp A peab olema valitud.	A + B on sees
C kiirus	Lühike	Lülitab sisse mootori 3. kiiruse. Nupp A peab olema valitud.	A + C on sees
D kiirus	Lühike	Lülitab mootori sisse intensiivsel kiirusel. See kiirus on ajastatud 6 minutiks. Pärast selle aja möödumist pöördub süsteem automaatselt tagasi eelnevalt seadistatud kiirusele. Kui see aktiveeritakse väljalülitatud mootoriga, lülitub see pärast aja möödumist VALJA. Selle inaktiveerimiseks vajutage nuppu A, B või C. Nupp A peab olema valitud.	A Sisse lülitatud D Vilgub
E Tuli	Lühike	lülitab sisse ja välja valgustuse maksimaalse intensiivsuse.	Sisse ja välja lülitatud
	Pikk	Suurendab või vähendab valguse intensiivsust.	Sisse ja välja lülitatud

Üldised soovitused

- Toiduvalmistamise alustamisel kasutage õhupuhasstit minimaalsel kiirusel ja laske sellel pärast toiduvalmistamise lõppu veel mõni minut töötada.
- Suurendage kiirust suure koguse suitsu ja auru korral ning kasutage intensiivset kiirust ainult äärmuslikes olukordades.
- Vajadusel vahetage söefilter/söefiltrid väl-

ja, et toidulõhnade vähendamine püsiks tõhusana.

- Vajadusel puhastage rasvafiltrit (rasvafiltreid), et säilitada rasva neeldumise tõhusus.
- Tõhususe optimeerimiseks ja müra minimeerimiseks kasutage selles juhendis näidatud maksimaalset toru läbimõõtu.

Hooldus ja puhastamine

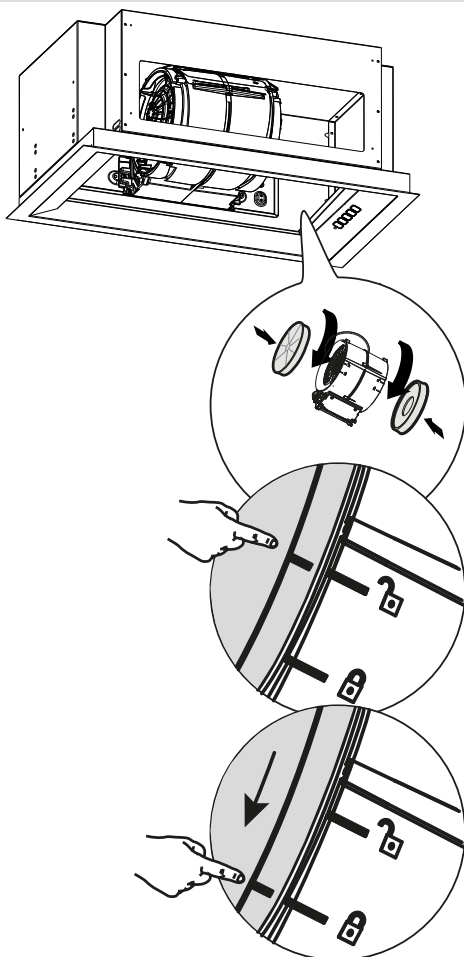


Enne mis tahes hooldustoiminguid tuleb seade välja lülitada või vooluvõrgust eraldada.

TÄHTIS! Puhastage õhupuhasstit niiske lapi ja neutraalse pesuvahendiga.

Pika kasutuseaga söefilter (roheline)

Lõhnafiltrit võib regenereerida iga 3–4 kuu järel (või õhupuhassti intensiivse kasutamise korral sagedamini), maksimaalselt saab teha 8 regenereerimistsüklit (väga intensiivse kasutuse korral on soovitatav mitte teha rohkem kui 5 tsüklit).



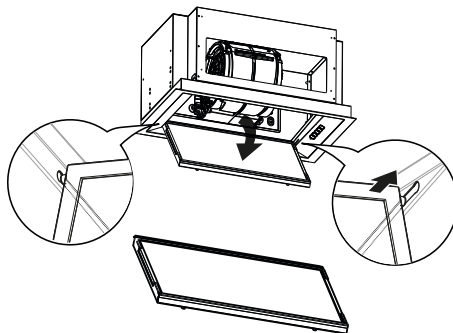
Regeneereerimise protseduur

- Peske nõudepesumasinas MAX 70° kraadi juures või peske käsitsi kuumas vees ja ärge kasutage abrasiivseid savi- ja äärmiselt rasvasteid vahendeid. Ärge kasutage pesuvahendeid!
- Kuivatage 2 tundi ahjus MAX 70° kraadi juures (soovitav on hoolikalt lugeda ahju kasutusjuhendit).

Rasvafilter

Et õhupuhasti püsiks heas töökorras, puhastage või vahetage filtrid välja kindlaksmääratud ajavahemike järel. Nii väldite ka rasva liigse kogunemise tõttu tekkivat võimalikku tuleohtu. Rasvafiltreid tuleb puhastada iga kahe kasutuskuu järel, väga intensiivse kasutamise korral

sagedamini. Filtreid võib pesta nõudepesumasinas.



Lambi vahetus

Selle välja vahetamiseks võtke ühendust volitatud teeninduskeskusega.

Mida teha, kui...

Tõrke ilmnemisel proovige esmalt ise lahendus leida. Kui teil ei õnnestu probleemi ise lahendada, võtke ühendust volitatud teeninduskeskusega.

i Seadme ebaõige kasutamise või paigaldusjuhiste mittejärgimise korral võib osutuda vajalikuks tasuda volitatud teeninduskeskuse tehniku visiidi eest ka garantii kehtivusaajal.

PROBLEEM	VÕIMALIK PÕHJUS	LAHENDUS
Seade ei ole stabiilne	Seade ei ole õigesti paigaldatud	Järgige seadmega kaasasolevaid paigaldusjuhiseid.
Seade ei ole loodis	Seade ei ole õigesti paigaldatud	Järgige seadmega kaasasolevaid paigaldusjuhiseid.
Rasva kogumise jõudlus ei ole rahuldav	Õli või rasv metall- või söefiltritel.	Järgige filtrite nõutavat puhastussagedust, nagu on kirjeldatud kasutusjuhendis
Seade ei tööta	Seade pole õigesti ühendatud	Kontrollige, et toitekaabel oleks mootoriga ühendatud ja pistik pistikupesas
Tuled ei põle	LED on katki	Selle välja vahetamiseks võtke ühendust volitatud teeninduskeskusega.
Õhupuhasti teeb rohkem müra, kui võiks eeldada.	Seinas oleva õhuava läbimõõt on liiga väike, põhjustades rõhu langust ja mootori pöörlemiskiiruse kasvu.	Järgige seadmega kaasasolevaid paigaldusjuhiseid.
	Toode on seadistatud ringlusrežiimile.	Ringlusrežiimis (ja paigaldatud söefiltri korral) teeb toode rohkem müra kui väljatõmberežiimis.
	Ventilatsioonitorul on rohkem kui üks pöördekoht.	Kui hoone väljatõmbesüsteemil on mitu pöördekohta või kui see on pikk, võib toode olla mürarikkam.

Enne volitatud abikeskusega ühenduse võtmist tehke järgmist.


Lülitage toide uuesti sisse, et näha, kas probleem on kadunud. Kui tõrge püsib, lülitage seade uuesti välja ja korrake toimingut tunni pärast. Kui seade ei tööta korralikult ka pärast tõrkeotsingu juhendis

loetletud kontrollide läbiviimist ja seadme uuesti sisselülitamist, võtke ühendust volitatud abikeskusega, selgitades probleemi selgelt ja täpsustades järgmised andmed:

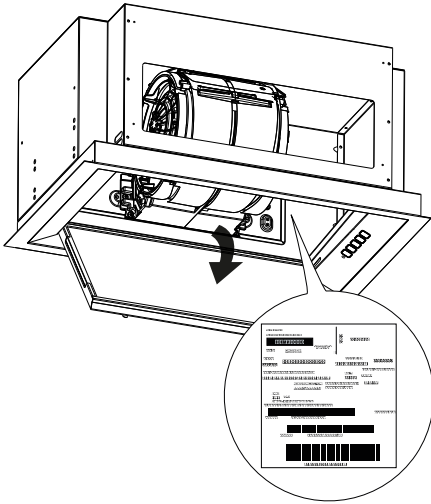
- rikke tüüp;
- mudel;
- seadme tüüp ja seerianumber (näidatud andmesildil).

TEHNILISED ANDMED

		Ühik	Väärtus
Toote tüüp			Integreeritud õhupuhasti
Mõõtmed	Laius	mm	599
	Sügavus	mm	358
	Min/max kõrgus	mm	290
Maksimaalne õhuvool* - väljatõmbel		m ³ /h	450
Maksimaalne müratase - väljatõmbel		dBA	55
Maksimaalne õhuvool* - ringluse korral		m ³ /h	250
Maksimaalne müratase* - ringluse korral		dBA	66
Koguvõimsus		W	144
Lambi teave	Tüüp:		LED-riba
	arv ja võimsus		3,8 W
	Ühendus		N/D
Minimaalne paigalduskõrgus - gaasipliidi korral		mm	650
Minimaalne paigalduskõrgus - elektripliidi korral		mm	500
Netokaal		kg	8
* Maksimaalne kiirus (ilma intensiivse seadistusega)			

Seade on projekteeritud, valmistatud ja seda turustatakse vastavalt EMÜ direktiividele 

Tehnilised andmed on toodud seadme sisse kinnitatud andmeplaadil.



Energiatõhusus

Toote teave vastavalt EL-i määrusele nr 66/2014	Ühik	Väärtus
Tarnija nimi	IKEA	
Mudeli identifikaator	MÅNGSBO 906 091.16 106 176.10 906 176.11	
Aastane energiatõhusus	kWh/a	26,9
Aja suurendustegur		0,5
Hüdrodünaamika tõhusus		40,5
Energiatõhususe indeks		29,9
Mõõdetud õhuvooluhulk suurima tõhususega tööolukorras	m ³ /h	410
Mõõdetud õhurõhk parima tõhususe punktis	Pa	469
Maksimaalne õhuvool	m ³ /h	450
Mõõdetud elektri võimsussisend parima tõhususe punktis	W	132
Valgustussüsteemi nimivõimsus	W	3,8
Pliidiplaadi valgustussüsteemi keskmine valgustus	Luks	275
Ooterežiimis mõõdetud voolutarve	W	0,49
Väljalülitatud režiimis mõõdetud voolutarve	W	0,0
Helitase maksimaalsel kiirusel (ilma intensiivfunktsioonita)	dBA	66

Standardid:

EN/IEC 61591
EN/IEC 60704-1
EN/IEC 60704-2-13
EN/IEC 60704-3
EN 50564

Energiasääst

Seadmel on funktsioone, mis aitavad igapäevase toiduvalmistamise ajal energiat kokku hoida.

Keskkonda puudutav teave

Kodumasinatate utiliseerimine




Tootel või selle pakendil olev sümbol näitab, et toodet ei tohi visata tavaliste olmejäätmete hulka. Toode tuleb lammutada keskkuses, mis on spetsialiseerunud elektri- ja elektroonikakomponentide ringlussevõtule. Tagades toote nõuetekohase utiliseerimise, aitate ära hoida võimalikke negatiivseid tagajärgi keskkonnale ja tervisele, mis jäätmete sobimatust käitlemisest tuleneda võivad. Täpsema teabe saamiseks toote taastöötlemise kohta pöörduge kohaliku

omavalitsuse, kohaliku jäätmekäitlusteenistuse või kaupluse poole, kust toote ostsite.

Seade vastab direktiivile 2012/19/EL ohtlike ainete elektri- ja elektroonikaseadmetes kasutamise vähendamise ja jäätmekäitluse kohta.

Pakkematerjalide utiliseerimine

Sümboliga  tähistatud materjalid on taaskasutatavad. Visake pakkematerjal taastöötlemiseks sobivasse kogumiskonteinerisse.

IKEA garantii

Kui kaua IKEA garantii kehtib?

Garantii kehtib viis (5) aastat alates seadme IKEA-st ostmise kuupäevast. Ostutõendina on nõutav ostutšeki originaal. Garantii ajal tehtud remont ei pikenda seadme garantiiaega.

Kes pakub abi?

Teenust pakub IKEA teenusepakkuja läbi oma teenindusoperatsioonide või volitatud teeninduspartnerite võrgustiku.

Mida see garantii katab?

Garantii katab seadme rikked, mille põhjuseks on vigane konstruktsioon või materjali vead alates IKEAst ostmise kuupäevast. Garantii kehtib ainult koduse kasutamise korral. Erandid on toodud jaotises „Mida see garantii ei hõlma?” Garantii kehtivusaajal kannab remondikulud (varuosad, tööjõud ja tehnilise personali sõidukulud) teeninduskeskus juhul, kui remonditavale seadmele juurdepääs ei eelda erilisi kulutusi. Need tingimused vastavad EL-i direktiividele (nr 99/44/EÜ) ning kehtivatele kohalikele standarditele ja määrustele. Asendatud osad saavad IKEA omandiks.

Mida IKEA probleemi kõrvaldamiseks teeb?

IKEA määratud teenusepakkuja vaatab toote

üle ja otsustab, kas sellele kehtib garantii. Kui garantii kehtib, parandab IKEA teenusepakkuja või tema volitatud hoolduspartner oma teeninduskeskuste abil defektse toote või asendab selle sama või sama väärtusega tootega.

Mis garantii alla ei käi?

- Tavapärane kulumine.
- Kahjustused, mis on põhjustatud tahtlikult või hooletuse tõttu; kahjustused, mis on põhjustatud kasutusjuhendi eiramisest, valest paigaldamisest või vale pingega ühendamisest, keemiliste või elektrokeemiliste reaktsioonide, rooste, korrosiooni või vee-kahjustuste tagajärjel, sealhulgas kahjustused (kuid mitte ainult), mille on tekitanud liigne katlakivi veetorudes, samuti atmosfääri ja loodusjõudude põhjustatud kahjustused.
- Kuluvad osad, näiteks patareid ja lambid.
- Dekoratiivsed ja mittefunktsionaalsed osad, mis ei mõjuta seadme tavapärasest kasutamist, sealhulgas kriimustused ja värvimuutused.
- Ainete ja võõrkehade põhjustatud kahjustused ning filtrite, äravoolusüsteemide või pesuvahendite sahtlite puhastamisel või vabastamisel tekitatud kahjustused.
- Järgmiste osade kahjustused: keraamiline

klaas, tarvikud, nõude ja söögiriistade sahtlid, toite- ja äravoolutorud, tihendid, lambid ja lampide katted, ekraanid, nupud, korpused ja korpuste osad – välja arvatud juhul, kui on võimalik tõestada, et nende kahjustuste põhjuseks olid tootmisvead.

- Juhtumid, kus tehnika visiidi ajal puudusi ei leita.
- Remondid, mida ei ole teinud IKEA määratud teenusepakkujad ja/või volitatud lepingulised teeninduspartnerid või mille käigus kasutati mitteoriginaalseid varuosi.
- Remondid, mille põhjuseks on vigane või nõuetele mittevastav elektrisüsteem.
- Seadme kasutamine mujal kui koduses keskkonnas, näiteks professionaalsel eesmärgil.
- Transpordist tulenevad kahjud. Kui klient transpordib toote oma koju või muule aadressile, ei vastuta IKEA transpordi käigus tekkida võivate kahjustuste eest. Kui aga IKEA tarnib toote kliendi tarneaadressile, siis toote selle tarnimise käigus tekkinud kahjustused on käesoleva garantii poolt kaetud.
- IKEA seadme algne paigalduskulu. Kui IKEA määratud teenusepakkuja või tema volitatud hoolduspartner remondib või vahetab garantii korras seadmeid, peab tarnija või volitatud hoolduspartner parandatud või välja vahetud seadmed ka ise uuesti paigaldama.

See piirang ei kehti, kui nõuetekohased tööd teeb kvalifitseeritud spetsialist, kasutades originaalosi, et kohanda seade vastavaks mõne teise EL-i riigi tehnilise ohutuse spetsifikatsioonidele.

Siseriiklike seaduste kohaldatavus

IKEA garantii annab teile spetsiifilised juriidilised õigused, mis katavad või laiendavad kohalikke nõudeid. Need tingimused ei piira siiski mitte mingil viisil kohalikes õigusaktides kirjeldatud tarbija õigusi.

Kehtivuspiirkond

Ühes EL riigis ostetud ja teise EL riiki viidud seadmete puhul pakutakse teenuseid uues

riigis tavapärase garantiitingimuste raamistikus. Kohustus osutada teenust garantiitingimuste kohaselt kehtib ainult siis, kui seade vastab järgmistele nõuetele ja paigaldusjuhiste:

- selle riigi tehnilised nõuded, kus garantii taotletakse;
- kasutusjuhendis sisalduv ohutusteave.

IKEA seadmetega tegelev müügijärgne teenindus:

Pöörduge IKEA müügijärgse teeninduse poole järgmistel juhtudel:

1. et küsida abi garantii kasutamisel;
2. et küsida selgitusi IKEA seadmete paigaldamise kohta selleks mõeldud IKEA köökimööblisse. Teenindus ei paku selgitusi seoses järgmisega:
 - IKEA komplekteeritud köökide paigaldamine;
 - elektriühendused (kui masin tarnitakse ilma pistiku ja kaablita), vee- ja gaasiühendused – need peab tegema volitatud tehnik.
3. et küsida selgitusi kasutusjuhendi ja IKEA seadme spetsifikatsioonide kohta.

Et tagada meie poolt parima abi pakkumine, lugege enne meie poole pöördumist palun hoolikalt käesoleva brošüüri koostamisjuhiste ja/või kasutusjuhendi jaotist.

Kuidas teeninduse vajaduse korral meiega ühendust võtta



IKEA teenusepakkujate täielikku loetelu ja nende telefoninumbreid riikide kaupa leiate selle juhendi viimaselt lehel.

NB! Et saaksime pakkuda kiiremat teenust, soovitame kasutada käesoleva kasutusjuhendi lõpus toodud

telefoninumbreid. Abi taotlemisel otsige välja selles juhendis toodud seadmete koodid.

Veenduge enne meile helistamist, et teil on käepärast selle IKEA toote kood (8-kohaline arv), millega abi vajate.

NB! Hoidke arve alles!

See on teie ostutõend ja see tuleb garantii kasutamisel esitada. Arvel kuvatakse ka

ostetud IKEA seadmete nimetused ja koodid (8-kohaline arv).

Kas vajate täiendavat abi?

Müügijärgse teeninduse või teie seadmetega mitte seotud täiendavate küsimuste puhul. Palun võtke ühendust lähima IKEA poe telefonikeskusega. Soovitame teil enne meie poole pöördumist hoolikalt lugeda seadme dokumentatsiooni.

Зміст

Інформація про безпеку	277	Що робити, якщо ...	285
Загальна інформація	281	Технічні дані	285
Опис виробу	282	Енергоефективність	287
Панель управління	282	Екологічні аспекти	288
Загальні поради	283	Гарантія IKEA	288
Очищення та догляд	283		

Інформація про безпеку

і Для вашої безпеки і правильної роботи приладу уважно прочитайте це керівництво перед установкою і експлуатацією. Завжди зберігайте ці інструкції поряд з приладом, навіть в разі продажу або передачі третім особам. Важливо, щоб користувачі знали всі особливості роботи та безпеки пристрою.

! Підключення кабелів має здійснювати кваліфікований технік.

- Виробник не несе відповідальності за будь-які збитки, що виникли в результаті неправильної установки або використання.
- Мінімальна безпечна відстань між варильною поверхнею та витяжкою становить 500 мм для електричних плит та 650 мм для газових плит.
- Якщо в інструкції з монтажу газової варильної поверхні вказана відстань, що перевищує вказану вище, це слід врахувати.
- Переконайтеся, що напруга мережі відповідає напрузі, зазначеній на паспортній табличці, що прикріплена всере-

дині витяжки.


- Відсічні пристрої повинні бути встановлені в стаціонарній системі відповідно до правил системи електропроводки.
- Для приладів класу I переконайтеся, що побутове джерело живлення має надійне заземлення.
- Під'єднайте витяжку до димоходу за допомогою труби мінімальним діаметром 150 мм. Шлях димових газів повинен бути якомога коротшим.
- Необхідно дотримуватись усіх правил, що стосуються відведення повітря.
- Не під'єднуйте витяжку до димоходів, що виводять продукти згоряння (наприклад, від котлів, камінів тощо).
- Якщо витяжка використовується в поєднанні з неелектричними приладами (наприклад, газовими приладами), у приміщенні повинен бути забезпечений достатній ступінь вентиляції, щоб запобігти зворотному потоку газів, що відводяться. Якщо кухонна витяжка використовується в поєднанні з побутовими приладами, що не живляться від електромережі, негативний тиск у приміщенні не повинен перевищувати 4 Па, щоб запобігти всмоктуванню газів в приміщення витяжкою.
- Повітря не повинно виводитись через канал, що використовується для відводу диму від приладів, що працюють на газі чи іншому паливі.
- Якщо кабель живлення пошкоджений, його повинен замінити виробник або технік з обслуговування.
- Підключіть вилку до розетки, що відповідає чинним нормам, та у доступному положенні.
- Що стосується технічних заходів та заходів безпеки, яких треба вжити для виводу димових газів, важливо суворо дотримуватись норм, встановлених місцевою владою.

⚠ ПОПЕРЕДЖЕННЯ: перед встановленням витяжки зніміть захисні плівки.

- Використовуйте лише гвинти та кріпильні вироби, що підходять для витяжки.

⚠ УВАГА: Якщо гвинти або інші фіксатори були встановлені з порушенням цих інструкцій, це призведе до виникнення електричної небезпеки.

- Підключіть витяжку до джерела живлення за допомогою біполярного вимикача з відстанню між контактами не менше 3 мм.
- Не можна дивитися прямо на світло через оптичні прилади (біноклі, лупи...).
- Не використовуйте фламбування під час готування під витяжкою: може виникнути пожежа.
- Пристрій може використовуватися дітьми старше 8 років та особами з обмеженими фізичними, сенсорними або розумовими здібностями або з недостатнім досвідом і знаннями, якщо вони знаходяться під пильним наглядом або якщо вони отримали інструкції з безпечного використання пристрою і зрозуміли пов'язану з цим небезпеку. Не дозволяйте дітям грати з приладом. Очищення та догляд може виконуватися дітьми, тільки якщо вони постійно перебувають під наглядом дорослих.
- Наглядайте за дітьми, щоб переконатися, що вони не граються пристроєм.
- Приладом не можуть користуватися особи (у тому числі діти) зі зниженими фізичними, сенсорними або розумовими можливостями або з відсутніми знаннями та досвідом, якщо вони не знаходяться під наглядом або не пройшли інструктаж.

 Під час використання кухонних приладів, їх доступні частини можуть дуже сильно нагріватись

- Почистіть та/або замініть фільтри через зазначений час (небезпека пожежі).
- У приміщенні повинна бути достатня вентиляція, якщо витяжка використовується одночасно з приладами, що використовують газ або інше паливо (не стосується приладів, які лише випускають повітря в приміщення)
- Витяжки та інші відсмоктувачі кухонних випарів можуть погіршити безпечну роботу приладів, що спалюють газ або інше паливо (включаючи ті, що знаходяться в інших приміщеннях), через зворотний потік відпрацьованих газів. Ці гази можуть спричинити отруєння чадним газом. Після встановлення витяжки або будь-якого іншого відсмоктувача кухонних випарів переконайтеся, що газові прилади перевірені компетентною особою та у відсутності зворотного потоку відпрацьованих газів.

Загальна інформація

Використання

- Перед будь-якими операціями з очищення або технічного обслуговування вимкніть або від'єднайте прилад від електромережі.
- Витяжку не можна використовувати як опорну поверхню.
- Витяжка призначена виключно для усунення запахів від приготування їжі в побути.
- Ніколи не використовуйте витяжку для інших цілей, окрім тих, для яких вона призначена.
- Ніколи не залишайте під витяжкою відкрите полум'я під час її роботи.
- Відрегулюйте інтенсивність полум'я таким чином, щоб воно було спрямоване виключно на дно посуду, стежачи, щоб воно не охоплювало боків.
- Під час використання фритюрниці за нею потрібно постійно наглядати: перегріта олія може загорітися.

Порядок встановлення

Витяжка спроектована для встановлення та використання у режимі "всмоктування" або "рециркуляції".



Прилад, що працює в режимі всмоктування (див. Символ в інструкції з монтажу)

Пара, що утворюється під час готування, всмоктується і виводиться за межі будинку

через випускную трубу (не постачається), встановлену в місці виходу пари з витяжки. Переконайтеся, що випускна труба правильно встановлена в місці виходу повітря за допомогою відповідної системи з'єднання.



Прилад, що працює в режимі рециркуляції повітря (див. символ в інструкції з монтажу)

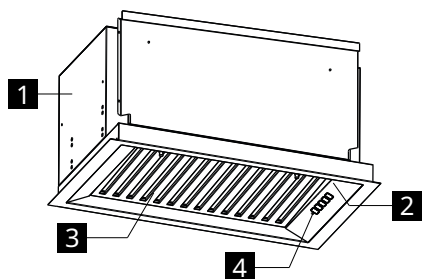
Повітря фільтрується за допомогою одного або кількох фільтрів, а потім подається назад у приміщення.

Важливо: Переконайтесь, що навколо витяжки є нормальна циркуляція повітря.

Важливо: Якщо витяжка не постачається з вугільними фільтрами, їх слід замовити та встановити перед початком використання приладу. Фільтри доступні у продажу.


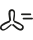
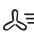

Витяжку слід встановлювати подалі від особливо брудних ділянок, вікон, дверей та джерел тепла. Аксесуари для настінного кріплення не входять в комплект, оскільки вони залежать від матеріалу стіни. Використовуйте системи кріплення, придатні для стін вашого будинку та ваги приладу. Для отримання більш детальної інформації зверніться до спеціалізованого дилера. Зберігайте ці інструкції для подальшого використання.

Опис виробу



- 1 Корпус витяжки
- 2 Освітлення
- 3 Жировий фільтр
- 4 Панель управління

Панель управління

<div style="display: flex; justify-content: space-around; align-items: center;"> <div style="text-align: center;">  A </div> <div style="text-align: center;">  B </div> <div style="text-align: center;">  C </div> <div style="text-align: center;">  D </div> <div style="text-align: center;">  E </div> </div>			
Клавiша	Натискання клавiшi	Функцiя	Индикатор
A Швид- кiсть	Короткочасно	Вмикає/вимикає двигун на першiй швидкостi.	Увiмкнений або вимкне- ний
B Швид- кiсть	Короткочасно	Вмикає двигун на другiй швидкостi. Кнопка A повинна бути вибрана.	A + B увiмкненi
C Швид- кiсть	Короткочасно	Вмикає двигун на третiй швидкостi. Кнопка A повинна бути вибрана.	A + C увiмкненi
D Швид- кiсть	Короткочасно	Вмикає двигун на iнтенсивнiй швидкостi. Ця швидкiсть має часовий промiжок у 6 хвилин. Пiсля закінчення встановленого часу система автоматично повертається до встановленої ранiше швидкостi. Якщо її активувати при вимкненому двигунi, вона вимикається пiсля закінчення встановленого часу. Щоб вимкнути її, натиснiть кнопку A, B або C . Кнопка A повинна бути вибрана.	A Увiмкнено D Блимає
E Освітлен- ня	Короткочасно	Вмикає та вимикає систему освiтлення на максимальнiй iнтен- сивностi.	Увiмкнений або вимкне- ний
	Тривало	Пiдвищує або знижує iнтенсивнiсть освiтлення.	Увiмкнений або вимкне- ний

Загальні поради

- Вмикайте витяжку на мінімальній швидкості, коли ви починаєте готувати їжу, і не вимикайте її протягом декількох хвилин після закінчення приготування.
- Збільшуйте швидкість лише за наявності великої кількості диму та пари і використовуйте інтенсивну(-и) швидкість(-и) лише в екстремальних ситуаціях.
- Замініть вугільний фільтр або фільтри, коли це необхідно, щоб підтримувати ефективне видалення запахів.
- Очистіть жировий фільтр або фільтри, коли це необхідно, щоб підтримувати ефективне поглинання жирів.
- Забезпечте максимальний діаметр каналу, зазначений у цьому посібнику, для оптимізації ефективності та мінімізації шуму.

Очищення та догляд

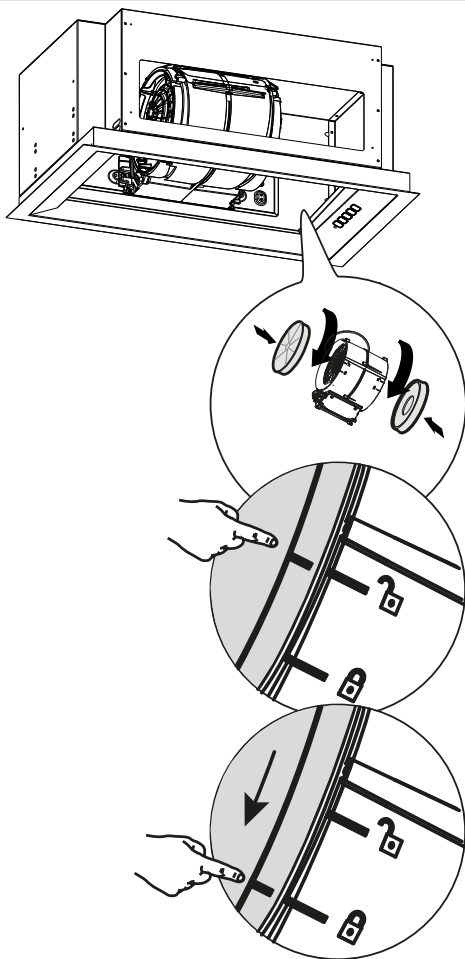


Перед будь-якими операціями з технічного обслуговування вимкніть або від'єднайте прилад від електромережі.

ВАЖЛИВО: Очистіть витяжку вологою ганчіркою та нейтральним рідким миючим засобом.

Вугільний фільтр з подовженим терміном експлуатації (зелений)

Фільтр проти запахів можна мити й відновлювати кожні 3-4 місяці (або частіше в разі інтенсивного користування витяжкою). Фільтр розрахований не більше ніж на 8 циклів відновлення (у разі особливо інтенсивного користування не рекомендується виконувати процедуру регенерації більше 5 разів).



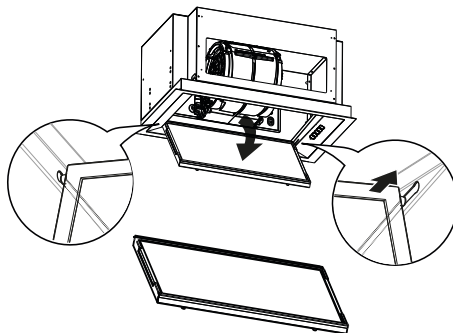
Процедура регенерації

- Мити в посудомийній машині при максимальній температурі 70° або вручну в гарячій воді без використання абразивних губок (не використовувати миючі засоби!).
- Сушити в духовці при температурі МАКСИМАЛЬНО 70° протягом 2 годин (будь ласка, уважно прочитайте інструкцію користувача та інструкцію з монтажу вашої духовки).

Жирові фільтри

Очищуйте або замінійте фільтри через зазначені інтервали часу, щоб підтримувати витяжку в належному робочому стані та уникати потенційного ризику пожежі через надмірне скупчення жиру. Жирові фільтри слід чистити кожні 2

місяці роботи або частіше у разі дуже інтенсивного використання, і їх можна мити в посудомийній машині.



Заміна ламп

Для заміни зверніться до уповноваженого сервісного центру.

Що робити, якщо ...

Якщо є несправність, спочатку спробуйте знайти рішення самостійно. Якщо ви не можете самостійно вирішити проблему, зверніться до уповноваженого сервісного центру.

i У разі неправильного використання приладу або монтажу, проведеного без дотримання інструкцій з монтажу, можливо знадобиться платний виклик техніка з Авторизованого сервісного центру навіть протягом періоду дії гарантії.

НЕСПРАВНІСТЬ	МОЖЛИВА ПРИЧИНА	СПОСІБ УСУНЕННЯ
Прилад не стабільний.	Прилад встановлено неправильно.	Дотримуйтесь інструкцій з монтажу, що додаються до приладу.
Прилад не встановлений горизонтально.	Прилад встановлено неправильно.	Дотримуйтесь інструкцій з монтажу, що додаються до приладу.
Ефективність з точки зору поглинання жиру є незадовільною.	Наявність олії та жиру на металевих фільтрах або вугільних фільтрах.	Дотримуйтесь частоти очищення фільтрів, як описано в посібнику користувача.
Прилад не працює.	Прилад під'єднано неправильно.	Переконайтеся, що мережевий кабель підключений до групи двигуна або що штепсельна вилка підключена до розетки.
Освітлення не працює.	LED-лампа пошкоджена.	Для заміни зверніться до уповноваженого сервісного центру.
Витяжка шумніша за очікувану користувача.	Діаметр вентиляційного отвору в стіні занадто малий і спричиняє падіння тиску і збільшення частоти обертання двигуна.	Дотримуйтесь інструкцій з монтажу, що додаються до приладу.
	Пристрій встановлено в режимі рециркуляції.	Пристрій у режимі рециркуляції (та з встановленим вугільним фільтром) є більш шумним, ніж пристрій у режимі всмоктування.
	Вентиляційний канал має більше одного вигину.	Якщо система видалення диму в будівлі має кілька вигинів або велику довжину, пристрій може бути більш шумним.

Перш ніж звертатися до уповноваженого сервісного центру:

Увімкніть живлення знову, щоб перевірити, чи проблема не зникла. Якщо ні, вимкніть прилад та повторіть операцію за одну годину. Якщо прилад все ще не працює належним чином після проведення перевірок, перелічених у

посібнику з усунення несправностей, і повторного ввімкнення приладу, зверніться до уповноваженого сервісного центру, чітко пояснивши проблему та вказавши:

- Тип несправності;
- модель;
- тип та серійний номер приладу (вказані на табличці).

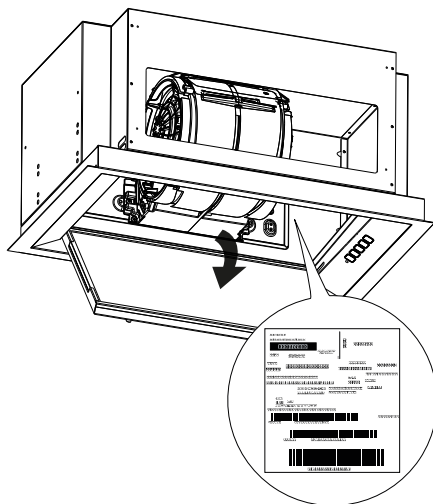
Технічні дані

	Од. вим.	Значення
Тип виробу		Вбудована витяжка

Розміри	Ширина	мм	599
	Глибина	мм	358
	Мін. / макс. висота	мм	290
Макс. потік повітря * - Вивід		м3/г	450
Максимальний рівень шуму - Вивід		дБ(А)	55
Макс. потік повітря * - Рециркуляція		м3/г	250
Максимальний рівень шуму *- Рециркуляція		дБ(А)	66
Загальна потужність		Вт	144
Характеристики лампи	Тип		Світлодіодна панель
	Кількість і потужність		3,8 Вт
	Кріплення		Н.Д.
Мінімальна висота установки - газова варильна поверхня		мм	650
Мінімальна висота установки - електрична варильна поверхня		мм	500
Вага нетто		кг	8
* Максимальна швидкість (без інтенсивного режиму)			

Цей прилад розроблений, виготовлений та продається відповідно до директив ЄЕС **CE**

Технічні дані вказані на табличці, що знаходиться всередину приладу.



Енергоефективність

Інформація про виріб відповідно до регламенту ЄС № 66/2014	Од. вим.	Значення
Назва постачальника	IKEA	
Назва моделі	MÅNGSBO 906.091.16 106.176.10 906.176.11	
Річне споживання енергії	кВт*год/рік	26,9
Коефіцієнт збільшення часу		0,5
Аеродинамічна ефективність		40,5
Індекс енергоефективності		29,9
Витрата повітря, виміряна в точці найкращої ефективності	м ³ /год	410
Тиск повітря, виміряний в точці найкращої ефективності	Па	469
Максимальний потік повітря	м ³ /год	450
Електрична потужність, виміряна в точці найкращої ефективності	Вт	132
Номинальна потужність системи освітлення	Вт	3,8
Середня освітленість системи освітлення на варильній поверхні	люкс	275
Споживана потужність, виміряна в режимі очікування	Вт	0,49
Споживана потужність, виміряна у вимкненому режимі	Вт	0,0
Рівень звуку на максимальній швидкості (без інтенсивного режиму)	дБа	66

Довідкові стандарти:

EN/IEC 61591
EN/IEC 60704-1
EN/IEC 60704-2-13
EN/IEC 60704-3
EN 50564


Енергозбереження

Прилад має функції, які допомагають економити енергію під час повсякденного приготування їжі.

Екологічні аспекти

Утилізація побутової техніки




Символ  на виробі або його упаковці означає, що виріб не можна утилізувати разом із звичайними побутовими відходами. Виріб слід утилізувати в центрі, що спеціалізується на переробці електричних та електронних компонентів. Забезпечивши правильну утилізацію цього виробу, ви допоможете запобігти потенційним негативним наслідкам для навколишнього середовища та здоров'я, які в іншому випадку можуть виникнути внаслідок неналежної утилізації. Щоб отримати більш детальну інформацію про

те, як переробити цей виріб, зверніться до місцевих органів влади, місцевої служби утилізації відходів або магазину, де ви придбали продукт.

Пристрій відповідає вимогам Директиви 2012/19/ЄС стосовно зменшення використання небезпечних речовин, використовуваних у електричних та електронних пристроях, а також утилізації відходів.

Утилізація пакувальних матеріалів

Матеріали із символом  підлягають вторинній переробці. Утилізуйте пакувальні матеріали у спеціальні контейнери для збору для переробки.

Гарантія ІКЕА

Як довго діє гарантія ІКЕА?

Ця гарантія діє протягом п'яти (5) років від дати придбання приладу в магазині ІКЕА. Підтвердження покупки є оригінал чеку. Ремонт, проведений за гарантією, не продовжує термін гарантії на прилад.

Хто надає допомогу?

Обслуговування клієнтів забезпечуватиме постачальник послуг, призначений компанією ІКЕА, через свою організацію або мережу авторизованих сервісних центрів.

На що поширюється гарантія?

Гарантія поширюється на будь-які дефекти, пов'язані з матеріалами та/або конструкцією приладу, і діє з дати придбання приладу в магазині ІКЕА.

Гарантія діє лише на побутову техніку, призначену для домашнього використання. Винятки описані в розділі «На що не поширюється гарантія». Протягом терміну дії гарантії витрати на ремонт (запасні частини, праця та поїздки технічного персоналу) будуть сплачуватись сервісним центром, за умови, що прилад,

який підлягає ремонту, не передбачає особливих витрат. Ці умови відповідають чинним директивам ЄС (№ 99/44/CE) та місцевим стандартам і правилам. Замінені деталі стануть власністю компанії ІКЕА.

Що зробити ІКЕА для вирішення проблеми?

Постачальник послуг, призначений компанією ІКЕА, проконтролює виріб і на власний розсуд вирішить, чи поширюється на нього гарантія. Якщо це так, постачальник сервісних послуг ІКЕА або його уповноважений сервісний партнер, через свої сервісні центри, на власний розсуд або відремонтує дефектний виріб, або замінить його на ідентичний чи еквівалентний.

На що не поширюється гарантія

- Звичайне зношення.
- Шкода, заподіяна навмисно або внаслідок необережності, пошкодження, спричинені недотриманням інструкцій з експлуатації, неправильним монтажем або підключенням до мережі з неправильною напругою, пошкодження, спричинене-

ні хімічними або електрохімічними реакціями, іржею, корозією або пошкодження, спричинені водою, наприклад наявність надмірного вапняку у водопровідних трубах, та пошкодження, спричинені атмосферними та природними явищами.

- Деталі, що піддаються зношенню, такі як батареї та лампочки.
- Декоративні та нефункціональні деталі, які не впливають на нормальне використання приладу, включаючи подряпини та зміну кольору.
- Випадкові пошкодження, спричинені сторонніми речовинами або тілами, чищенням або звільненням фільтрів, систем виводу або ящиків для миючих засобів.
- Пошкодження деталей, таких як склокераміка, аксесуари, кошики для посуду та столових приборів, труби для подачі та зливу, прокладки, лампи та відповідні кришки, екрани, ручки, покриття та частини покриттів, крім випадків, коли можна довести, що такі пошкодження спричинені дефектами виробництва.
- Випадки, коли техніком не виявлено дефектів.
- Ремонт, який не виконував постачальник послуг, призначений компанією ІКЕА, або уповноважений сервісний центр, або ремонт, при якому використовувались неоригінальні деталі.
- Ремонт, спричинений неправильним або невідповідним встановленням.
- Використання приладу в не побутових умовах, наприклад, для професійного використання.
- Пошкодження, отримані під час транспортування. У випадку транспортування, здійсненого замовником додому або за іншою адресою, компанія ІКЕА не несе відповідальності за будь-які збитки, що виникли під час транспортування. Однак, якщо компанія ІКЕА здійснює перевезення за адресою замовника, ця гарантія поширюється на будь-яке пошкодження при транспортуванні.
- Вартість початкового встановлення об-

ладнання ІКЕА. Крім того, якщо постачальник послуг, призначений компанією ІКЕА або його уповноваженим сервісним центром, виконує ремонт або заміну обладнання за гарантією, уповноважений постачальник або сервісний центр також повинен перевстановити відремонтоване обладнання або встановити аналогічне обладнання, якщо необхідно.

Ці обмеження не поширюються на роботи, які кваліфіковано виконує спеціалізований персонал з використанням оригінальних деталей для адаптації приладу до правил безпеки іншої країни ЄС.

Застосовність національного законодавства

Гарантія компанії ІКЕА надає користувачу конкретні юридичні права на додаток до прав, передбачених законодавчо і які різняться залежно від країни. Однак ці умови жодним чином не обмежують права споживача, зазначені в місцевому законодавстві.

Територія дії

Для побутової техніки, придбаної в одній з країн ЄС та переданої в іншу країну ЄС, послуги надаватимуться на умовах гарантії, що діють у новій країні.

Зобов'язання щодо надання сервісного обслуговування на умовах гарантії існує тільки в тому випадку, якщо пристрій відповідає встановлений відповідно до:

- технічних вимог у країні, в якій запитуються застосування гарантії;
- вказівок з техніки безпеки, що містяться в інструкції з експлуатації.

Післяпродажне обслуговування техніки ІКЕА:

Будь ласка, зверніться до сервісного центру післяпродажного обслуговування ІКЕА, щоб:

1. запросити гарантійне обслуговування;
2. отримати рекомендації щодо встановлення приладів ІКЕА у певні кухонні

шафи IKEA. Центр не надаватиме допомоги чи роз'яснень щодо:

- встановлення комплектних кухонь IKEA;
- підключення до електромережі (якщо прилад постачається без кабелів та штекерів), підключення до мережі водопостачання та підключення до газової системи, які повинен виконувати уповноважений технічний спеціаліст;

3. отримати пояснення щодо змісту посібника користувача та технічних характеристик приладу IKEA.

Щоб забезпечити Вам найкращу допомогу, будь ласка, уважно прочитайте інструкції з монтажу та/або посібник користувача, перш ніж зв'язуватися з нами.

Як зв'язатися з нами, якщо вам потрібна наша допомога



Повний список постачальників послуг IKEA та їхні національні телефонні номери див. на останній сторінці цього посібника.

Важливо! Для забезпечення швидшого обслуговування ми рекомендуємо використовувати телефони, вказані в кінці цього посібника. Звертаючись по допомогу, завжди вказуйте спеціальні коди приладу, що містяться в цьому посібнику. Перш ніж зв'язуватися з нами, переконайтесь, що у вас є код (8 цифр) приладу IKEA, щодо якого ви звертаєтесь за допомогою.

Важливо! ЗБЕРЕЖІТЬ ЧЕК!

Це ваш доказ покупки, який потрібно пред'явити, щоб скористатися гарантією. У чеку також вказано назву та код (8-значний) кожного придбаного вами приладу IKEA.

Вам потрібна додаткова допомога?

У разі виникнення інших питань, не пов'язаних із сервісним обслуговуванням обладнання, звертайтеся до найближчого магазину IKEA. Перш ніж зв'язуватися з нами, уважно прочитайте документацію до обладнання.

Sadržaj

Informacije o sigurnosti	291	Što učiniti ako...	297
Opće informacije	294	Tehnički podaci	298
Opis proizvoda	295	Energetska učinkovitost	300
Kontrolna ploča	295	Ekološki aspekti	301
Opći savjeti	296	GARANCIJA IKEA	301
Čišćenje i održavanje	296		

Informacije o sigurnosti


i Radi vlastite sigurnosti i kako biste osigurali ispravan rad uređaja, molimo da pažljivo pročitate ovaj priručnik prije instalacije i stavljanja uređaja u rad. Uvijek držite ove upute zajedno s uređajem, čak i ako ga prodajete ili prosljeđujete trećim osobama. Važno je da su korisnici upoznati sa svim karakteristikama rada i sigurnosti uređaja.

! Spajanje električnih vodova mora obaviti kompetentni tehnički stručnjak.

- Proizvođač ne može biti odgovoran za eventualne štete koje proizlaze iz neprikladne instalacije ili korištenja uređaja.
- Minimalni sigurnosni razmak između ploče za kuhanje i nape je 500 mm za nape električnih kuhinja i 650 mm za nape plinskih kuhinja.
- Ako je u uputama za postavljanje plinske ploče za kuhanje navedena udaljenost veća od gore navedene, to se mora uzeti u obzir.
- Provjerite odgovara li mrežni napon onom naznačenom na pločici s podacima unutar nape.
- Glavni izolatori moraju biti instalirani u fiksnom uređaju u skla-

du s propisima o sustavima ožičenja.

- Za uređaje klase I provjerite da li kućna mreža napajanja ima odgovarajući priključak za uzemljenje.
- Spojite napu na dimovod pomoću cijevi minimalnog promjera 150 mm. Put dimnih plinova mora biti što kraći.
- Moraju se poštivati svi propisi koji se odnose na ispuštanje zraka.
- Ne spajajte napu na dimne kanale koji prenose pare izgaranja (npr. iz kotlova, kamina itd.).
- Ako se napa koristi u kombinaciji s neelektričnim uređajima (npr. plinskim uređajima), mora se osigurati dovoljan stupanj ventilacije u prostoriji kako bi se spriječio povratni tok ispušnih plinova. Kada se kuhinjska napa koristi u kombinaciji s aparatima koji se ne napajaju električnom energijom, podtlak u prostoriji ne smije biti veći od 4 Pa kako napa ne bi uvukla dim natrag u prostoriju.
- Zrak se ne smije evakuirati kroz kanal koji se koristi za ispuštanje para iz uređaja za izgaranje koji rade na plin ili druga goriva.
- Ako je kabel napajanja oštećen mora ga zamijeniti proizvođač ili tehničar servisne službe.
- Spojite utikač u utičnicu tipa koji odgovara važećim zakonima i nalazi se na dostupnom mjestu.
- Što se tiče tehničkih i sigurnosnih mjera koje treba poduzeti za ispuštanje dimnih plinova, važno je savjesno poštivati propise koje donose lokalne vlasti.

 **UPOZORENJE:** Prije postavljanja nape, uklonite zaštitne folije.

- Koristite samo vijke i vijčani pribor koji su prikladni za napu.

⚠ UPOZORENJA: Nepotpuna instalacija vijaka ili elemenata za učvršćivanje u skladu s ovim uputama može dovesti do opasnosti od električnog udara.

- Spojite napu na električnu mrežu pomoću bipolarne sklopke s kontaktnim razmakom od najmanje 3 mm.
- Ne gledajte izravno optičkim sredstvima (naočale, povećalo...).
- Nemojte flambirati ispod nape: može doći do požara.
- Ovaj uređaj mogu koristiti djeca ne mlađa od 8 godina i osobe smanjenih psihofizičkih i senzornih sposobnosti samo ako su pod nadzorom i ako ih se pouči o načinu korištenja uređaja na siguran način i opasnostima koje korištenje nosi. Pobrinite se da se djeca ne igraju s uređajem. Čišćenje i održavanje od strane korisnika ne smiju izvoditi djeca, osim ako ih se nadzire.
- Nadzirite djecu, pobrinite se da se ne igraju s uređajem.
- Ovaj uređaj ne smiju koristiti osobe (uključujući djecu) smanjenih psihofizičkih i senzorskih sposobnosti ili nedovoljnog znanja, osim ako ih se pažljivo ne nadzire i instruirira.

⚠ Dostupni dijelovi mogu se jako zagrijati tijekom korištenja uređaja za kuhanje

- Očistite i/ili zamijenite filtere nakon navedenog vremena (opasnost od požara).
- U prostoriji mora postojati odgovarajuća ventilacija kada se napa koristi istovremeno s uređajima koji koriste plin ili druga goriva (ne odnosi se na uređaje koji samo ispuštaju zrak u prostoriju).
- Kuhinjske nape i drugi ekstraktori dima od kuhanja mogu ugroziti siguran rad aparata koji sagorijevaju gas ili druge zapaljive materije (uključujući i one smještene u drugim prostorima) zbog povratnog tijeka gasa za izgaranje. Ovi gasovi mogu izazvati trovanje ugljenmonoksidom. Nakon postavljanja kuhinjske nape ili bilo kojeg drugog ekstraktora dima od kuhanja,

osigurajte se da aparate za gas testira kompetentna osoba kako bi se jamčilo da se ne otkrije povratni tijek gasa za izgaranje.

Opće informacije

Uporaba

- Isključite ili prekinite napajanje uređaja prije bilo kakve radnje čišćenja ili održavanja.
- Napa se ne smije koristiti kao potporna površina.
- Napa je dizajnirana isključivo za uklanjanje mirisa kuhanja u kućanstvu.
- Nikada nemojte koristiti napu u druge svrhe osim onih za koje je dizajniran.
- Nikada ne ostavljajte jak plamen ispod nape dok je u radu.
- Jačinu plamena namjestite tako da bude usmjeren isključivo prema dnu posude za kuhanje, pazeci da ne zahvata stijenke.
- Friteze je potrebno stalno provjeravati tijekom uporabe: pregrijano ulje može se zapaliti.

Način instaliranja

Napa je dizajnirana za ugradnju i korištenje u "usisnoj verziji" ili u "verziji s recirkulacijom zraka".



Usisna verzija (pogledajte simbol u uputama za montažu)

Para od kuhanja usisava se i prenosi izvan kuće kroz ispusnu cijev (nije isporučena) postavljenu na izlazu pare nape. Uvjerite se da je ispušno crijevo ispravno postavljeno na izlaz zraka, koristeći odgovarajući sustav spajanja.



Verzija s recirkulacijom zraka (pogledajte simbol u uputama za montažu)

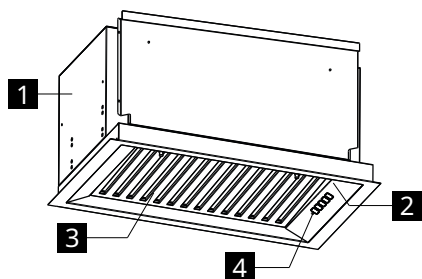
Zrak se filtrira kroz jedan ili više filtara i zatim vraća u prostoriju.

Važno: Provjerite postoji li pravilna cirkulacija zraka oko nape.

Važno: Ako napa nije isporučena s ugljenim filtrima, potrebno ih je naručiti i montirati prije uporabe uređaja. Filtri su komercijalno dostupni.


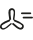



Napa mora biti postavljena dalje od posebno prljavih područja, prozora, vrata i izvora topline. Dodaci za pričvršćivanje na zid nisu uključeni jer se razlikuju ovisno o materijalu zida. Koristite sustave za pričvršćivanje koji odgovaraju zidovima vašeg doma i težini uređaja. Za detaljnije informacije obratite se specijaliziranom trgovcu. Sačuvajte ove upute za buduću upotrebu.

Opis proizvoda



- 1 Tijelo nape
- 2 Osvjetljenje
- 3 Filtar za masnoću
- 4 Upravljačka ploča

Kontrolna ploča

						
		A	B	C	D	E
Tipka	Pritisak na tipku	Funkcija				Led
A Brzina	Kratki	Uključuje/isključuje motor na prvu brzinu.				Uključeno ili isključeno
B Brzina	Kratki	Pokreće motor u drugoj brzini. Tipka A mora biti odabrana.				A + B su uključeni
C Brzina	Kratki	Pokreće motor u trećoj brzini. Tipka A mora biti odabrana.				A + C su uključeni
D Brzina	Kratki	Uključuje motor na intenzivnu brzinu. Ova brzina ograničena je na 6 minuta. Po isteku postavljenog vremena, sustav se automatski vraća na prethodno postavljenu brzinu. Ako je aktivirana s isključenim motorom, po isteku postavljenog vremena, vraća se na ISKLJUČENO. Za njezino deaktiviranje pritisnite gumb A, B ili C. Tipka A mora biti odabrana.				A Uključeno D Treperi
E Svjetlo	Kratki	Uključuje i isključuje rasvjetni sustav na maksimalan intenzitet rasvjete.				Uključeno ili isključeno
	Dugi	Povećava ili smanjuje intenzitet rasvjete.				Uključeno ili isključeno

Opći savjeti

- Uključite napu na najmanju brzinu kada počnete kuhati i pustite je da radi nekoliko minuta nakon završetka kuhanja.
- Povećajte brzinu samo u prisutnosti velikih količina dima i pare i koristite intenzivnu brzinu(e) samo u ekstremnim situacijama.
- Zamijenite filter ili filtre od ugljena kada je potrebno kako biste održali dobru učinkovitost uklanjanja mirisa.
- Očistite filter ili filtre za masnoću kada je potrebno kako biste održali dobru učinkovitost upijanja masnoći.
- Koristite najveći promjer kanala naveden u ovom priručniku za optimizaciju učinkovitosti i smanjenje buke.

Čišćenje i održavanje

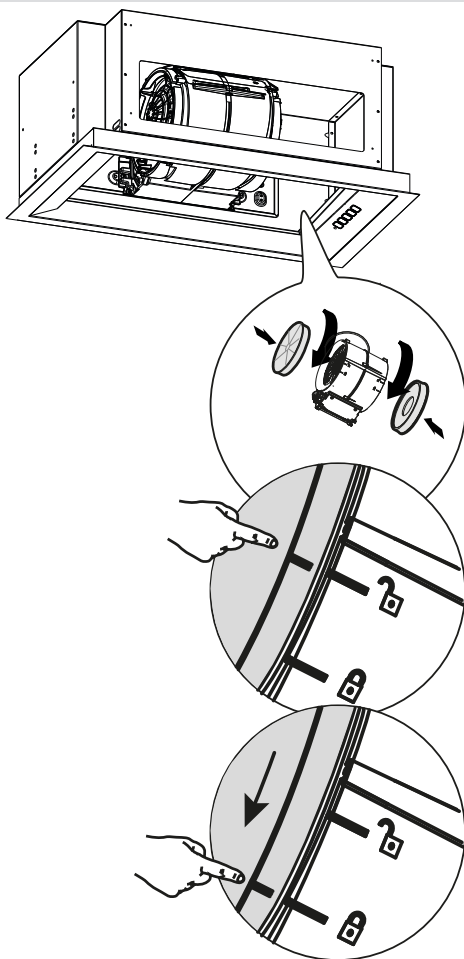


Isključite ili odspojite uređaj s napajanja prije bilo kakvih radova održavanja.

VAŽNO: Očistite napu vlažnom krpom i neutralnim tekućim deterdžentom.

Dugotrajni ugljeni filter na ugljen (zeleni)

Filter za miris može se prati i regenerirati svaka 3-4 mjeseca (ili češće ako je napa podvrgnuta intenzivnoj uporabi), do najviše 8 ciklusa regeneracije (u slučaju posebno intenzivne uporabe preporuča se da ne prelazi pet ciklusa).



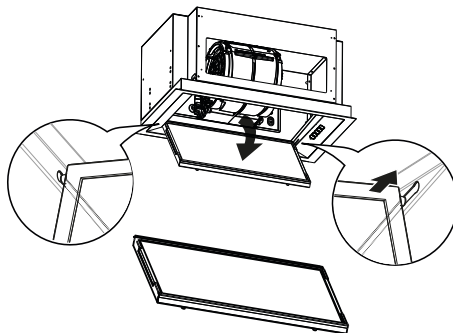
Postupak regeneriranja

- Operite u perilici posuđa na MAX temperaturi od 70° ili ručno operite vrućom vodom bez uporabe abrazivnih spužvi (nemojte upotrebljavati deterdžente).
- Osušite u pećnici na MAX temperaturi od 70 ° za vrijeme 2 sata (preporučujemo da pažljivo pročitate korisnički priručnik i upute za montažu pećnice).

Filter za masnoću

Nastavite s čišćenjem ili zamijenite filtre u naznačenim vremenskim intervalima kako bi napa ostala u dobrom stanju i izbjegla potencijalni rizik od požara zbog prekomjernog nakupljanja masti. Filtri za mast moraju se čistiti svaka 2 mjeseca rada ili

češće u slučaju vrlo intenzivne uporabe i mogu se prati u perilici posuđa.



Zamjena lampica

Za zamjenu kontaktirajte ovlaštenu centar za pomoć.

Što učiniti ako...

Ako postoji kvar, prvo pokušajte sami pronaći rješenje. Ako ne možete sami riješiti problem, obratite se ovlaštenom servisu.

i U slučaju nepravilne uporabe uređaja ili montaže koja nije u skladu s uputama za montažu, može biti potrebno posjetiti tehničara iz Ovlaštenog servisnog centra, čak i za vrijeme razdoblja važenja jamstva.

PROBLEM	MOGUĆI UZROK	RJEŠENJE
Aparat nije stabilan.	Aparat nije ispravno postavljen.	Slijedite upute za postavljanje koje su date unutar aparata.
Aparat nije na ravnom.	Aparat nije ispravno postavljen.	Slijedite upute za postavljanje koje su date unutar aparata.
Izvedbe kada se radi o hvatanju masnoće nisu zadovoljavajuće.	Nazočnost ulja i masti na metalnim filterima ili na ugljenim filterima.	Promatrajte učestalost čišćenja filtera kako je opisano u priručniku za uporabu.
Aparat ne radi.	Aparat nije ispravno spojen.	Provjerite je li mrežni kabel spojen na jedinicu motora i je li utikač spojen na utičnicu.
Svjetlo ne radi.	LED je pokvaren.	Za zamjenu kontaktirajte ovlaštenu centar za pomoć.
Napa je bučnija u odnosu na očekivanja klijenta.	Promjer otvora za zrak u zidu je premali i izaziva gubitak tlaka i povećanje brzine motora.	Slijedite upute za postavljanje koje su date unutar aparata.
	Proizvod je postavljen u načinu recirkuliranja.	Proizvod u načinu recirkuliranja (i s montiranim ugljenim filtrom) je bučniji od proizvoda u načinu usisavanja.
	Vod za ventilaciju predstavlja više od jedne krivulje.	Ako sustav za izbacivanje dima iz zgrade predstavlja više krivulja ili pokriva dugu udaljenost, proizvod može biti bučniji.

Prije kontaktiranja ovlaštenog servisnog centra:


Ponovno uključite aparat da vidite je li problem nestao. Ako nije, ponovno ga isključite i ponovite postupak nakon sat vremena. Ako uređaj i dalje ne radi ispravno

nakon provođenja provjera navedenih u uputama za rješavanje problema i ponovnog uključivanja uređaja, obratite se ovlaštenom servisnom centru uz jasno objašnjenje problema i navedite:

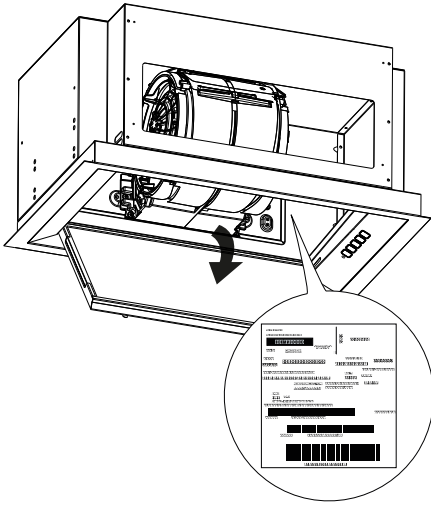
- vrstu kvara;
- model;
- tip i serijski broj uređaja (naveden na pločici s tehničkim podacima).

Tehnički podaci

		Jedinica	Vrijednost
Tip proizvoda			S ugrađenom napom
Dimenzije	Širina	mm	599
	Dubina	mm	358
	Visina min./maks.	mm	290
Maksimalni protok zraka * - Ispuh		m ³ /h	450
Maksimalna razina buke - Ispuh		dBA	55
Maksimalni protok zraka* - Recirkulacija		m ³ /h	250
Maksimalna razina buke* - Recirkulacija		dBA	66
Ukupna snaga		W	144
Podaci o lampi	Vrsta		LED traka
	Broj i snaga		3,8 W
	Priključak		NIJE DOSTUPNO
Minimalna visina ugradnje - plinska ploča za kuhanje		mm	650
Minimalna visina ugradnje - električna ploča za kuhanje		mm	500
Neto težina		Kg	8
* Maksimalna brzina (bez intenzivne postavke)			

Ovaj je uređaj osmišljen, proizveden i pušten u prodaju u skladu s Direktivama EEZ-a 

Tehnički podaci prikazani su na pločici koja se nalazi unutar uređaja.



Energetska učinkovitost

Informacije o proizvodu prema propisu EU br. 66/2014	Jedinica	Vrijednost
Ime dobavljača	IKEA	
Oznaka modela	MÅNGSBO 906.091.16 106.176.10 906.176.11	
Godišnja učinkovitost	kWh/a	26,9
Faktor povećanja vremena		0,5
Dinamička učinkovitost fluida		40,5
Indeks energetske učinkovitosti		29,9
Protok zraka izmjeren na mjestu najbolje učinkovitosti	m ³ /h	410
Tlak zraka izmjeren na točki najbolje učinkovitosti	Pa	469
Maksimalni domet zraka	m ³ /h	450
Električno napajanje izmjereno na mjestu najbolje učinkovitosti	W	132
Nazivna snaga rasvjetnog sustava	W	3,8
Prosječno osvjetljenje sustava rasvjete na ploči za kuhanje	Luks	275
Trenutna potrošnja izmjerena u stanju čekanja	W	0,49
Trenutna potrošnja izmjerena u isključenom načinu rada	W	0,0
Razina zvuka pri maksimalnoj brzini (bez intenzivnog podešavanja)	dba	66

Referentne norme:

EN/IEC 61591
EN/IEC 60704-1
EN/IEC 60704-2-13
EN/IEC 60704-3
EN 50564


Energetska ušteda

Uređaj uključuje značajke koje pomažu u uštedi energije za vrijeme svakodnevnog kuhanja.

Ekološki aspekti

Zbrinjavanje električnih kućanskih aparata




Simbol  na proizvodu ili na njegovu pakiranju označava da se proizvod ne smije zbrinjavati zajedno s uobičajenim kućnim otpadom. Proizvod se mora zbrinuti u specijaliziranom centru za reciklažu električne i elektroničke opreme. Brigom za pravilno zbrinjavanje proizvoda pridonosite sprječavanju potencijalnih negativnih posljedica po okoliš i zdravlje koje bi inače mogle proizići iz neodgovarajućeg zbrinjavanja. Za detaljnije informacije o

oporabi ovoga proizvoda obratite se nadležnim tijelima u općini, lokalnoj službi za gospodarenje otpadom ili trgovini u kojoj ste kupili proizvod.

Uređaj je usklađen s Direktivom 2012/19/EU o smanjenju opasnih tvari koje su upotrijebljene u otpadnoj električnoj i elektroničkoj opremi te o zbrinjavanju otpada.

Zbrinjavanje ambalažnog materijala

Materijali sa simbolom  mogu se reciklirati. Ambalažni materijal zbrinite u odgovarajuće kontejnere za prikupljanje.

GARANCIJA IKEA

Koliko dugo vrijedi garancija IKEA?

Ova garancija vrijedi pet (5) godina od originalnog datuma kupnje uređaja u IKEI. Originalni račun je neophodan kao dokaz o kupnji. Jedan popravak obavljen u okviru garancije ne produljuje razdoblje trajanja garancije za uređaj.

Tko pruža pomoć?

Servis za klijente bit će osiguran od strane pružatelja usluge kojeg imenuje IKEA putem vlastite organizacije ili vlastite partnerske mreže ovlaštenih servisa.

Što pokriva garancija?

Garancija pokriva eventualne nedostatke povezane s materijalom ili konstrukcijom uređaja i vrijedi počevši od datuma kupnje uređaja na prodajnom mjestu IKEA. Garancija vrijedi samo ako su proizvodi namijenjeni kućanskoj uporabi. Izuzeci su opisani u dijelu "Što ne pokriva garancija?" Tijekom razdoblja valjanosti jamstva, troškove popravka (rezervni dijelovi, rad i putovanje tehničkog osoblja) snosit će pomoćna služba, pod uvjetom da pristup uređaju za popravak ne uključuje posebne troškove. Ovi uvjeti su u skladu s direktivama UE (br. 99/44/CE) i

primjenjivim lokalnim normama i propisima. Zamijenjeni dijelovi postaju vlasništvo IKEE.

Kako će intervenirati IKEA u rješavanju problema?

Davatelj usluga kojeg je naručila IKEA ispitati će proizvod i po vlastitom nahođenju odlučiti je li pokriven jamstvom. U tom slučaju davatelj usluga IKEA -e ili njegov ovlašteni servisni partner putem svojih servisnih centara po vlastitom nahođenju ili će popraviti neispravan proizvod ili ga zamijeniti proizvodom iste ili jednake vrijednosti.

Što ne pokriva garancija?

- Uobičajeno trošenje kao posljedicu rabljenja.
- Šteta nastala namjerno ili zbog nemara, šteta nastala zbog nepridržavanja uputa za uporabu, nepravilne instalacije ili spajanja na pogrešan napon, šteta nastala kemijskim ili elektrokemijskim reakcijama, hrđa, korozija ili oštećenje vode, uključujući neograničenu štetu nazočnošću prekomjernog vapnenca u vodovodnim cijevima i oštećenjima uzrokovanim atmosferskim i prirodnim događajima.
- Dijelovi izloženi trošenju, na primjer baterije i žarulje.
- Dekorativni i nefunkcionalni dijelovi koji ne

utječu na uobičajenu uporabu uređaja, uključujući ogrebotine i varijacije boja.

- Slučajno oštećenje uzrokovano stranim tvarima ili tijelima, te čišćenje ili oslobađanje filtra, odvodnih sustava ili ladica za deterđent.
- Oštećenje sljedećih dijelova: keramičko staklo, pribor, košare za posude i pribor za jelo, dovodne i odvodne cijevi, brtve, lampe i poklopci svjetiljki, paravani, gumbi, kućišta i dijelovi kućišta. Osim ako se dokaže da su takvu štetu uzrokovale proizvodne greške.
- Slučajevi u kojima nisu otkriveni kvarovi tijekom posjeta servisera.
- Popravci koje nije izvršio pružatelj usluge kojeg je imenovala IKEA ili ovlašteni partner ili popravci kod kojih su korišteni neoriginalni rezervni dijelovi.
- Popravci uzrokovani neprikladnom instalacijom ili instalacijom koja nije u skladu s uputama.
- Korištenje uređaja u okruženju koje nije kućno, na primjer za profesionalnu uporabu.
- Štete nastale od prijevoza. U slučaju da je transport obavio klijent na vlastitu adresu ili neku drugu adresu, IKEA se ne može smatrati odgovornom za eventualne štete nastale tijekom transporta. Ipak, u slučaju da je transport na adresu klijenta obavila IKEA, eventualne štete uzrokovane transportom ulaze u postojeću garanciju.
- Početna cijena instalacije IKEA uređaja. Međutim, ako davatelj usluga od strane IKEA-e ili njegov ovlašteni servisni partner popravi ili zamijeni opremu pod jamstvom, dobavljač ili ovlašteni servisni partner također mora ponovno instalirati popravljenu opremu ili ju popraviti. " Ugradnju zamjenske opreme, ako je potrebno.

Takva ograničenja ne odnose ne na regularne radnje obavljene od strane kvalificiranog osoblja i uz korištenje originalnih dijelova za prilagodbu uređaja sigurnosnim odredbama neke druge države EU.

Primjenjivost nacionalnih zakona

Garancija IKEA daje klijentu specifična zakonska prava uz prava predviđena zakonom, koja variraju ovisno o državi. Međutim, ovi uvjeti ni na koji način ne ograničavaju prava potrošača opisana u lokalnom zakonodavstvu.

Područje važenja

Za uređaje kupljene u jednoj od država članica EU i prenesenih na drugu državu EU, usluge servisiranja pružat će se na temelju uvjeta garancije koji vrijede u novoj državi. Obveza pružanja usluge prema uvjetima jamstva postoji samo ako je uređaj sukladan i instaliran sukladno s:

- tehničkim specifikacijama zemlje u kojoj se traži primjena jamstva;
- sigurnosnim informacijama sadržanim u korisničkom priručniku.

Usluga nakon prodaje posvećena IKEA uređajima:

Ne ustručavajte se kontaktirati IKEA-inu servisnu službu za:

1. zatražiti pomoć u korištenju jamstva;
2. traženja objašnjenja u vezi instalacije uređaja IKEA u specijalne IKEINE ugradbene elemente. Služba neće pružiti pomoć ili objašnjenja vezana uz:
 - instalaciju kompletne kuhinje IKEA;
 - električna spajanja (ako je uređaj dostavljen bez kabela i utikača), hidraulička spajanja i spajanja na plinski uređaj, koja mora obaviti ovlašteni servisier.
3. traženje objašnjenja o sadržaju priručnika za korištenje ili specifikacijama uređaja IKEA.

Radi osiguranja što bolje pomoći, molimo vas da pažljivo pročitate Upute za montažu i/ili Priručnik za korištenje prije nego nas kontaktirate.

Kako nas kontaktirati ako trebate našu intervenciju



Proučite kompletni popis pružatelja usluge IKEA s odgovarajućim telefonskim brojevima za svaku državu na zadnjoj stranici ovog priručnika.

Važno! Važno! Kako bismo osigurali brzu uslugu, preporučujemo korištenje telefonskih brojeva navedenih na kraju ovog priručnika. Da biste zatražili pomoć, uvijek se obratite posebnim kodovima uređaja koji se nalaze u

ovom priručniku. Prije nego nas kontaktirate, pobrinite se da imate kod sebe kod proizvoda IKEA (8 brojki) koji se odnosi na uređaj za koji se traži pomoć.

Važno! SAČUVAJTE PRIZNANICU!

On je dokaz o kupnji i potrebno ga je pokazati kako bi se mogla iskoristiti garancija. Na računu su navedeni i naziv i kod (od 8 brojki) kupljenog IKEA uređaja.

Trebate dodatnu pomoć? Za sva dodatna pitanja koja se ne odnose na Korisničku podršku vaših uređaja.

Molimo kontaktirajte naš najbliži call centar trgovine IKEA. Preporučujemo vam da pažljivo pročitate dokumentaciju uređaja prije nego nas kontaktirate.

Садржај

Безбедносне информације	304	Шта да радите ако...	312
Opšte informacije	308	Tehnički podaci	312
Опис производа	309	Енергетска ефикасност	314
Контролна табла	309	Еколошки аспекти	315
Општи савети	310	Гаранција компаније ИКЕА	315
Чишћење и одржавање	310		

Безбедносне информације

i Ради ваше сигурности и исправног рада уређаја, пажљиво прочитајте ово упутство пре уградње и употребе. Увек држите ова упутства заједно са уређајем, чак и у случају продаје или преноса трећим лицима. Важно је да корисници знају све радне и сигурносне карактеристике уређаја.

! Спајање каблова мора да обави специјализовани техничар.

- Произвођач не може бити одговоран за било какву штету насталу неправилном инсталацијом или употребом.
- Минимално сигурносно растојање између плоче за кување и аспиратора је 500 мм за електричне плоче и 650 мм за гасне плоче.
- Ако упутства за инсталацију плинске плоче за кување наводе растојање веће од горе наведеног, то се мора узети у обзир.
- Проверите да ли мрежни напон одговара оном назначеном на плочици са подацима постављеној у унутрашњости аспиратора.

- Уређаји за раздвајање морају бити уграђени у фиксни електрични систем у складу са прописима о прикључивању система.
- За уређаје класе 1 проверите да ли кућно напајање има одговарајући прикључак на уземљење.
- Повежите аспиратор са димњаком са цеви минималног пречника 150 мм. Пут димних гасова мора бити што краћи.
- Морају се поштовати сви прописи који се односе на испуштање ваздуха.
- Не прикључујте аспиратор на димне канале који преносе испарења од сагоревања (нпр. из котлова, камина, итд.).
- Ако се аспиратор користи у комбинацији са неелектричним уређајима (нпр. гасним уређајима), мора се обезбедити довољан степен вентилације у просторији како би се спречио повратни ток издувних гасова. Када се кухињски аспиратор користи у комбинацији са апаратима који се не напајају електричном енергијом, негативни притисак у просторији не сме бити већи од 4 Pa како би се спречило да се испарења помоћу аспиратора враћају назад у просторију.
- Ваздух се не сме евакуисати кроз канал који се користи за испуштање испарења из уређаја за сагоревање који раде на гас или друга горива.
- Ако се кабл за напајање оштети, мора га заменити произвођач или његов заступник.
- Утикач ставите у утичницу која је у складу са важећим прописима и постављена на лако доступном месту.
- Што се тиче техничких и безбедносних мера које треба предузети за испуштање димних гасова, важно је савесно поштовати прописе које су донеле локалне власти.

⚠ УПОЗОРЕЊЕ: Пре постављања аспиратора, уклоните заштитне фолије.

- Користите само шрафове и мале делове који су погодни за аспиратор.

⚠ УПОЗОРЕЊЕ: постављање завртњева или носача које није у складу са овим упутством може довести до стручног удара.

- Прикључите хаубу на напајање помоћу биполарног прекидача са контактним размаком од најмање 3 мм.
- Не гледајте директно у извор светлости кроз оптичка помагала (наочаре, лупе...).
- Немојте фламбирати испод аспиратора: може доћи до пожара.
- Овај уређај могу да користе деца узраста од 8 година навише и особе са смањеним физичким, чулним или менталним способностима, као и особе које немају довољно искуства и знања, ако су под надзором или су упућене у безбедан начин употребе уређаја и разумеју могуће опасности. Малој деци не дозволите да се играју са уређајем. Чишћење и одржавање не треба да обављају деца без надзора.
- Деца морају бити под надзором да се не би играла са уређајем.
- Овај уређај не треба да користе особе (укључујући и децу) са смањеним физичким, чулним или менталним способностима, као и особе које немају довољно искуства и знања, сем ако их надзиру или о употреби уређаја саветују особе одговорне за њихову безбедност.

⚠ Доступни делови могу постати веома врући за време употребе апарата за кување

- Очистите и/или замените филтере после одређеног

времена (опасност од пожара).

- Мора постојати одговарајућа вентилација у просторији када се аспиратор користи истовремено са уређајима који користе гас или друга горива (не примењује се на уређаје који само испуштају ваздух у просторију).
- Кухињски аспиратори и други одводници кухињских пара могу да наруше безбедан рад уређаја који сагоревају гас или друга горива (укључујући и оне који се налазе у другим просторима) услед повратног тока гасова сагоревања. Ови гасови могу проузроковати тровање угљен-моноксидом. После уградње аспиратора или било ког другог система за извлачење дима за кување, побрините се да гасне уређаје тестира надлежна особа како би се осигурало да нема повратног протока гасова сагоревања.

Опште информације

Употреба

- Искључите или одспојите апарат из напајања пре било каквог чишћења или одржавања.
- Аспиратор се не сме користити као подлога.
- Аспиратор је пројектован искључиво за уклањање кухињских испарења у домаћинству.
- Никад не користите аспиратор за било шта осим за оно за шта је намењен.
- Никада не остављајте јак пламен испод усисног аспиратора када ради.
- Подесите јачину пламена тако да буде усмерен искључиво ка дну посуде за кување, пазећи да се не омота око ивица.
- Фритезе се морају стално проверавати за време употребе: прегрејано уље може да се запали.

Начин инсталирања

Аспиратор је пројектован за уградњу и употребу у "усисној верзији" или у "верзији са рецикулацијом ваздуха".



Усисна верзија (погледајте симбол у упутствима за инсталацију)

Пара за кување се усисава и преноси ван дома кроз испусну цев (не испоручује се)

инсталирану на излазу за пару из аспиратора. Уверите се да је издувно црево правилно постављено на излазу ваздуха, користећи одговарајући систем за повезивање.



Верзија са рецикулацијом ваздуха (погледајте симбол у упутствима за инсталацију)

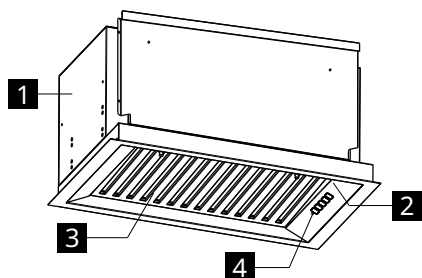
Ваздух се филтрира кроз један или више филтера, а затим се враћа назад у просторију.

Важно: Уверите се да постоји одговарајућа циркулација ваздуха око аспиратора.

Важно: Ако аспиратор није испоручен са угљеним филтерима, они се морају наручити и поставити пре употребе уређаја. Филтери су комерцијално доступни.


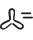



Аспиратор мора бити постављен даље од посебно прљавих места, прозора, врата и извора топлоте. Прибор за причвршћивање на зид није укључен јер се разликује у зависности од материјала зида. Користите системе за причвршћивање који су прикладни за зидове вашег дома и за тежину уређаја. За детаљније информације обратите се специјализованом продавцу. Сачувајте ова упутства за будућу употребу.

Опис производа



- 1 Тело аспиратора
- 2 Осветљење
- 3 Филтер за маст
- 4 Контролна табла

Контролна табла

		 A	 B	 C	 D	 E
Дугме	Притисак дугмета	Функција				ЛЕД
A Брзина	Кратки	Укључује мотор у прву брзину или га искључује.				Укључено или искључено
B Брзина	Кратки	Покреће мотор у другој брзини. Дугме A мора да буде изабрано.				A + B су укључени
C Брзина	Кратки	Покреће мотор у трећој брзини. Дугме A мора да буде изабрано.				A + C су укључени
D Брзина	Кратки	Укључује мотор појачаном брзином. Ова брзина је ограничена на 6 минута. По истеку тог времена уређај се аутоматски враћа на раније подешену брзину. Ако се активира док је мотор искључен, по истеку тог времена ће се искључити. За искључивање притисните дугме A , B или C . Дугме A мора да буде изабрано.				A Укључено D Трепери
E Светло	Кратки	Укључује и искључује осветљење максималним интензитетом.				Укључено или искључено
	Дуги	Повећава или смањује интензитет светла.				Укључено или искључено

Општи савети

- Покрените аспиратор минималном брзином када почнете да кувате и пустите да ради неколико минута након завршетка кувања.
- Повећајте брзину само у присуству великих количина дима и паре и користите интензивну брзину(е) само у екстремним ситуацијама.
- Замените филтер или филтере са угљем када је то потребно да бисте одржали добру ефикасност ублажавања мириса.
- Очистите филтер или филтере за маст када је потребно да бисте одржали добру ефикасност упијања масти.
- Користите максимални пречник канала наведен у овом приручнику да бисте оптимизовали ефикасност и минимизирали буку.

Чишћење и одржавање

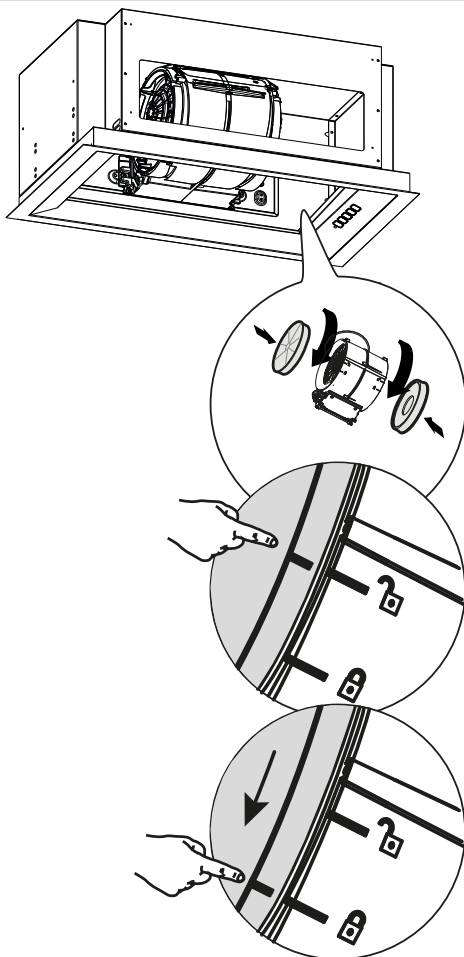


Искључите или одспојите уређај из напајања пре било каквог одржавања.

ВАЖНО: Очистите аспиратор влажном крпом и неутралним течним детерџентом.

Дуготрајни угљени филтер (зелено)

Филтер против мириса може да се регенерише свака 3–4 месеца (или чешће ако се аспиратор користи интензивно), до највише 8 циклуса регенерације (у случају нарочито интензивне употребе не препоручује се више од 5 циклуса).



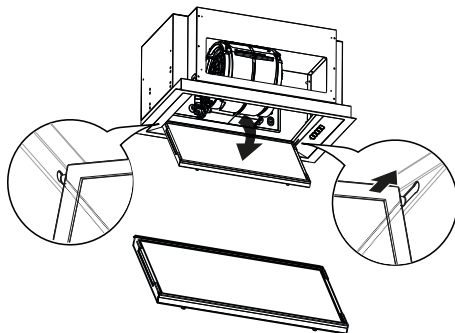
Поступак регенерације

- Перите у машини за прање суђа на температури до 70 °C или ручно у топлој води не користећи абразивне сунђере (не користите детерџенте!).
- Сушити у рерни 2 сата на температури до 70 °C (препоручује се да пажљиво прочитате кориснички приручник и упутство за склапање пећнице).

Филтери за маст

Наставите са чишћењем или замените филтере у наведеним временским интервалима како би аспиратор остао у добром стању и избегао се потенцијални ризик од пожара због прекомерног накупљања масти. Филтери за маст морају се чистити свака 2 месеца рада или чешће

у случају врло интензивне употребе, и могу се прати у машини за прање посуђа.

**Замена сијалица**

За замену, обратите се овлашћеном сервисном центру.

Шта да радите ако...

Ако постоји проблем, најпре покушајте сами да пронађете решење. Ако не можете сами да решите проблем, контактирајте овлашћени сервисни центар.

i У случају неправилне употребе уређаја или монтаже која је извршена у

супротности са упутствима за монтажу, можда ће бити неопходна посета техничару из овлашћеног центра за помоћ, чак и током периода важења гаранције.

ПРОБЛЕМ	МОГУЋИ УЗРОК	РЕШЕЊЕ
Уређај није стабилан.	Уређај није правилно инсталиран.	Следите упутства за инсталацију која су испоручена уз уређај.
Уређај није раван.	Уређај није правилно инсталиран.	Следите упутства за инсталацију која су испоручена уз уређај.
Перформансе у погледу хватања масти нису задовољавајуће.	Присуство уља и масти на металним филтерима или угљеним филтерима.	Придржавајте се учесталости чишћења филтера како је описано у корисничком приручнику.
Уређај не ради.	Уређај није правилно прикључен.	Проверите да ли је мрежни кабл прикључен на јединицу мотора или да ли је утикач прикључен на утичницу.
Светло не ради.	ЛЕД диода је покварена.	За замену, обратите се овлашћеном сервисном центру.
Аспиратор је бучнији од очекивања купца.	Пречник отвора за ваздух у зиду је премали и доводи до пада притиска и повећања броја обртаја мотора.	Следите упутства за инсталацију која су испоручена уз уређај.
	Производ је инсталиран у режиму рециркулације.	Производ у режиму рециркулације (и са уграђеним угљеним филтером) је бучнији од производа у режиму усисавања.
	Вентилациони канал има више од једне кривине.	Ако систем за евакуацију дима зграде има више кривина или покрива велике удаљености, производ може бити бучнији.

Пре него што контактирате овлашћени центар за помоћ:

Поново укључите напајање да видите да ли је проблем нестао. Ако није, поново га искључите и поновите операцију након сат времена. Ако уређај и даље не ради исправно након извршења провера

наведених у водичу за решавање проблема и поновног укључивања уређаја, контактирајте овлашћени центар за помоћ и јасно објасните проблем и наведете:

- врсту квара;
- модел;
- тип и серијски број уређаја (наведен на натписној плочици).

Технички подаци

		Јединица	Вредност
Тип производа			Интегрисани аспиратор
Димензије	Ширина	мм	599
	Дубина	мм	358
	Висина мин./макс	мм	290

Енергетска ефикасност

Подаци о производу према Уредби ЕУ бр. 66/2014	Јединица	Вредност
Име продавца	IKEA	
Ознака модела	MÅNGSBO 906.091.16 106.176.10 906.176.11	
Годишња потрошња	kWh/a	26,9
Фактор временског повећања		0,5
Ефикасност динамике флуида		40,5
Индекс енергетске ефикасности		29,9
Измерени проток ваздуха у тачки највеће ефикасности	m ³ /h	410
Мерени притисак ваздуха у тачки највеће ефикасности	Pa	469
Максимални проток ваздуха	m ³ /h	450
Мерена улазна електрична снага у тачки највеће ефикасности	W	132
Називна снага система осветљења	W	3,8
Просечно осветљење система осветљења на плочи за кување	Lux	275
Потрошња струје мерена у стању приправности	W	0,49
Потрошња струје мерена у искљученом стању	W	0,0
Ниво звука при максималној брзини (без интензивног подешавања)	dBА	66

Референтни стандарди:

ЕН/ИЕЦ 61591
ЕН/ИЕЦ 60704-1
ЕН/ИЕЦ 60704-2-13
ЕН/ИЕЦ 60704-3
EN 50564


Уштеда енергије

Уређај укључује функције које помажу у уштеди енергије током свакодневног кувања.

Еколошки аспекти

Одлагање кућних апарата




Симбол  на производу или на амбалажи означава да се производ не сме одлагати са уобичајеним кућним отпадом. Производ се мора одлагати у центру специјализованом за рециклажу електричних и електронских компонената. Правилним одлагањем производа помажете у спречавању потенцијалних негативних последица по животну средину и здравље које би иначе могле настати непримерним одлагањем. За детаљније информације о начину рециклирања овог

производа обратите се општинским властима, локалној служби за одлагање отпада или продавници у којој сте купили производ.

Уређај је усклађен са директивом 2012/19/EU о смањењу употребе опасних материја у електричној и електронској опреми и о одлагању отпада.

Одлагање амбалажног материјала

Материјали са симболом  могу се рециклирати. Материјал за паковање одложите у посебне контејнере за сакупљање ради рециклирања.

Гаранција компаније ИКЕА

Колико важи гаранција компаније ИКЕА?

Ова гаранција важи пет (5) година од дана куповине уређаја у продавници ИКЕА. Као доказ куповине потребно је имати оригиналан рачун. Ако се под гаранцијом обави неко сервисирање, то неће продужити гарантни период уређаја.

Ко пружа помоћ?

Сервисер ИКЕА пружаће услуге у сопственој режији или путем овлашћене мреже сервисних партнера.

Шта покрива гаранција?

Гаранција покрива кварове уређаја настале услед грешака у материјалу и изради од дана куповине у продавници ИКЕА. Ова гаранција важи само за употребу у домаћинству. Изузеци су наведени у питању „Шта није покривено овом гаранцијом?“ Током периода важења гаранције, трошкове поправке (резервни делови, рад и путовања техничког особља) сносиће служба за помоћ, под условом да приступ уређају за поправку не укључује посебне трошкове. Под тим условима важе смернице ЕУ (бр. 99/44/ЕС) и одговарајући

локални прописи. Замењени делови постају власништво компаније ИКЕА.

Како ће ИКЕА отклонити проблем?

Пружатељ услуга којег је овластила испитаће производ и по сопственом нахођењу одлучити да ли је покривен гаранцијом. У потврдном случају, ИКЕА пружатељ услуга или његов овлаштени сервисни партнер ће, путем својих сервисних центара, према властитом нахођењу или поправити неисправан производ или га замијенити производом исте или једнаке вриједности.

Шта није покривено овом гаранцијом?

- Нормално хабање.
- Оштећења настала намерно или услед немара, оштећења настала услед непоштовања упутства за употребу, неправилне инсталације или прикључења на погрешан напон, оштећења изазваних хемијским или електрохемијским реакцијама, рђе, корозије или оштећења воде, укључујући и неограничавајућа оштећења присуством прекомерног кречњака у водоводним цевима и оштећењима изазваним атмосферским

и природним догађајима.

- Потрошни материјал у који спадају батерије и сијалице.
- Декоративни и нефункционални делови који не утичу на уобичајену употребу уређаја, укључујући огреботине и варијације боја.
- Случајно оштећење проузроковано страним супстанцама или телима и чишћењем или ослобађањем филтера, одводних система или фиока за детерџент.
- Оштећења следећих делова: стаклокерамичке плоче, прибор, корпе за посуђе и есцајг, напојне и испусне цеви, заптивке, лампе и абажури, решетке, дугмад, кућишта и делови кућишта, осим ако се може доказати да је такво оштећење настало због производних недостатака.
- Случајеви када током посете техничара не буде утврђена никаква грешка.
- Оправке које нису обавили наши овлашћени сервисери и/или овлашћени сервисни партнери или ако су коришћени неоригинални делови.
- Оправке услед монтаже која је неисправна или није у складу са спецификацијом.
- Употреба апарата у окружењу које није домаћинство, на пример за професионалну употребу.
- Штета услед транспорта. Ако купац превезе производ на своју кућу или неку другу адресу, ИКЕА не одговара ни за каква оштећења која могу настати при транспорту. Међутим, ако ИКЕА испоручује производ на одређену адресу купца, тада ће оштећење производа настало током те испоруке бити покривено овом гаранцијом.
- Почетни трошкови инсталације уређаја ИКЕА. Међутим, ако добављач услуга које је именovala ИКЕА или њезин овлашћени сервисни партнер поправи или замени опрему у оквиру гаранције, добављач или овлашћени сервисни партнер мора такође предвидети поновну инсталацију поправљене опреме или уградњу заменске опреме, где је то потребно.

Ово ограничење не важи за беспрекоран рад који квалификовани специјалиста обави уз коришћење наших оригиналних делова ради адаптирања уређаја према техничким безбедносним спецификацијама неке друге земље ЕУ.

Важење локалних закона

Гаранција компаније ИКЕА вам даје одређена права која покривају или надилазе локалне правне захтеве. Међутим, ови услови ни на који начин не ограничавају права потрошача описана у локалном законодавству.

Подручје важења

За уређаје купљене у једној земљи ЕУ и пренете у неку другу земљу ЕУ сервис ће бити пружен под окриљем гарантних услова нормалних за ту другу земљу.

Обавеза пружања услуге под условима гаранције постоји само ако је уређај усклађен и инсталиран у складу са:

- техничким спецификацијама државе у којој се захтева примена гаранције;
- безбедносним информацијама садржаним у корисничком приручнику.

Корисничка службa посвећена ИКЕА кућним апаратима:

Не устручавајте се контактирати корисничку службу ИКЕА за:

1. тражење помоћи у гарантном року;
2. тражење информација о уградњи ИКЕА уређаја у одређене ИКЕА кухињске елементе. Служба неће пружати појашњења која се односе на:
 - целокупну монтажу кухиња ИКЕА;
 - прикључке за струу (ако се уређај испоручује без утикача и кабла), прикључке за воду и плин јер њих треба да обави овлашћени сервисер.
3. тражење разјашњења садржаја корисничког упутства и спецификација уређаја ИКЕА.

Да бисмо могли да вам помогнемо на најбољи начин, пре него што нас

контактирате пажљиво прочитајте одељке Упутство за склапање и/или Упутство за коришћење у овој књижици.

Како да дођете до нас ако вам затреба сервис



Погледајте на задњој страни овог приручника комплетну листу ИКЕА овлашћених контаката и њихове националне телефонске бројеве.

Важно! Да бисмо вам пружили бржу услугу, препоручујемо да користите одговарајуће

телефонске бројеве наведене на крају овог приручника. Да бисте затражили помоћ, увек се наведите одређене шифре уређаја који се налазе у овом упутству. Пре позивања при руци треба да имате ИКЕА број артикла (8-цифрени код) уређаја за који тражите нашу помоћ.

Важно! САЧУВАЈТЕ РАЧУН!

То је доказ о куповини који морате имати да би гаранција важила. Имајте на уму да се на рачуну налазе ИКЕА бројеви артикла и бројеви (8-цифрени код) за сваки купљени уређај.

Да ли вам је потребна додатна помоћ?

За сва додатна питања која се не односе на постпродајне услуге ваших уређаја.

Молимо контактирајте наш најближи ИКЕА позивни центар. Препоручујемо да пре позивања пажљиво прочитате документацију уређаја.

Vsebina

Varnostne informacije	318	Kaj narediti, če...	324
Splošne informacije	321	Tehnički podatki	325
Opis izdelka	322	Energetska učinkovitost	327
Nadzorna plošča	322	Okoljski vidiki	328
Splošni nasveti	323	Garancija IKEA	328
Čiščenje in vzdrževanje	323		

Varnostne informacije

i Zaradi lastne varnosti in za pravilno delovanje naprave priporočamo, da pred namestitvijo in uporabo pozorno preberete ta navodila. Vedno jih shranjujte skupaj z napravo, tudi če jo izročite ali predate tretji osebi. Pomembno je, da uporabniki poznajo vse značilnosti delovanja in varnosti naprave.

! Priključitev kablov mora izvesti ustrezno usposobljen tehnik.

- Proizvajalec ne prevzema odgovornosti za morebitno škodo zaradi neustrezne namestitve ali uporabe.
- Minimalna varnostna razdalja med kuhalno ploščo in napo je 500 mm pri električnih napah in 650 mm pri plinskih napah.
- Če je v navodilih za namestitev plinske kuhalne plošče določena razdalja, ki je večja od zgoraj navedene, je treba to upoštevati.
- Preverite, ali omrežna napetost ustreza tisti, ki je navedena na tipski ploščici v notranjosti nape.
- Naprave za porazdelitev energije morajo biti povezane z nameščeno napravo v skladu s predpisi o kabelskih napeljavah.

- Pri napravah razreda I preverite, ali ima domače električno napajanje primerno ozemljitev.
- Napo priključite na dimnik s cevjo s premerom najmanj 150 mm. Pot dimnih plinov mora biti čim krajša.
- Upoštevati je treba vse predpise glede odvajanja zraka.
- Sesalne nape ne priključujte na dimne kanale, ki prenašajo hlapce izgorevanja (npr. iz kotlov, kaminov itd.).
- Če se napa uporablja v kombinaciji z neelektričnimi napravami (npr. plinskimi napravami), je treba v prostoru zagotoviti zadostno stopnjo prezračevanja, da se prepreči povratni tok izpušnih plinov. Pri uporabi kuhinjske nape v kombinaciji z aparati, ki se ne poganjajo na elektriko, podtlak v prostoru ne sme presegati 4 Pa, da preprečimo, da bi napa potegnila nazaj hlapce v svoj prostor.
- Zrak se ne sme odvajati skozi kanal, ki se uporablja za odvajanje dima iz kurilnih naprav na plin ali na druga goriva.
- Poškodovan napajalni kabel mora zamenjati proizvajalec ali tehnik njegove servisne službe.
- Vtikač priključite v vtičnico, ki je skladna z veljavnimi standardi in na dosegljivem mestu.
- V zvezi s tehničnimi in varnostnimi ukrepi, ki jih je treba sprejeti za odvajanje dimnih plinov, je pomembno dosledno upoštevati predpise, ki jih določijo lokalne oblasti.

⚠ OPOZORILO: Pred namestitvijo nape odstranite zaščitne folije.

- Uporabljajte samo vijake in majhne dele, ki so primerni za napo.

⚠ OPOZORILO: Če vijakov ali pritrdilnih elementov ne namestite v skladu s temi navodili, lahko pride do električnega udara.

- Napo priključite na električno omrežje z bipolarnim stikalom z

razmikom med kontakti najmanj 3 mm.

- V napravo ne gledajte direktno z optičnimi napravami (daljnogled, povečevalno steklo ...).
- Ne flambirajte hrane pod nabo: lahko pride do požara.
- Otroci, mlajši od 8 let, in osebe z zmanjšanimi psihičnimi, fizičnimi ali čutilnimi sposobnostmi ali z nezadostnimi izkušnjami in znanjem smejo uporabljati napravo le, če so pod nadzorom odgovornih oseb in če so bili poučeni glede varne uporabe naprave in z njo povezanih tveganj. Pazite, da se otroci ne igrajo z napravo. Otroci ne smejo čistiti in vzdrževati naprave, razen če so pod nadzorom odrasle osebe.
- Nadzorujte otroke in pazite, da se ne bodo igrali z napravo.
- Naprave ne smejo uporabljati osebe (vključno otroki) z zmanjšanimi psihičnimi, fizičnimi ali čutilnimi sposobnostmi ali z nezadostnimi izkušnjami in znanjem, razen če jih pri tem nekdo pozorno spremlja in poduča.

⚠ Dostopni deli se lahko med uporabo kuhalnih naprav zelo segrejejo

- Po določenem času filtre očistite in / ali zamenjajte (nevarnost požara).
- Če se napa uporablja hkrati z napravami, ki uporabljajo plin ali druga goriva, se mora prostor ustrezno prezračevati (ne velja za naprave, ki odvajajo samo zrak v prostor).
- Nape in drugi odsesovalniki dima za kuhanje lahko zaradi povratnega toka zgorevalnih plinov poslabšajo varno delovanje naprav, ki kurijo plin ali druga goriva (vključno s tistimi, ki so postavljeni v drugih prostorih). Ti plini lahko povzročijo zastrupitev z ogljikovim monoksidom. Po namestitvi kuhinjske nape ali katere koli druge odsesovalne naprave dimnih plinov poskrbite, da bo plinske naprave preizkusila pristojna oseba, da ne bo povratnega toka zgorelih plinov.

Splošne informacije

Uporaba

- Pred čiščenjem ali vzdrževanjem napravo vedno ugasnite ali izključite iz napajalnega omrežja.
- Nape ne smete uporabljati kot podporno površino.
- Napa je bila zasnovana izključno za odpravljanje vonjav pri kuhanju v gospodinjstvu.
- Nikoli ne uporabljajte nape za druge namene kot za tiste, za katere je bila zasnovana.
- Nikoli ne puščajte močnega ognja pod nabo, ko ta deluje.
- Jakost plamena nastavite tako, da bo usmerjen izključno proti dnu posode za kuhanje, pri tem pa pazite, da se ne bo ovijal okoli stranic.
- Cvrtnik med uporabo neprestano nadzirajte, saj se preveč razgreto olje lahko vname.

Način montaže

Napa je zasnovana za namestitev in uporabo v "sesalni različici" ali v "recirkulacijski različici".



Sesalna različica (glejte simbol v navodilih za namestitev)

Para pri kuhanju se vsesa in odvaja zunaj doma skozi odvodno cev (ni priložena), ki je nameščena na izhodu pare na napi. Prepričajte se, da je izpušna cev pravilno nameščena na izhodu zraka z uporabo ustreznega priključnega sistema.



Recirkulacijska različica (glejte simbol v navodilih za namestitev)

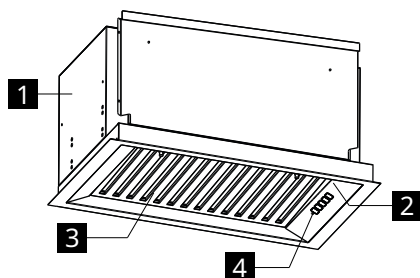
Zrak se filtrira skozi enega ali več filtrov in se nato vrne v prostor.

Pomembno: Prepričajte se, da je okoli nape ustrezno kroženje zraka.

Pomembno: Če napa ni opremljena z ogljenimi filtri, jih morate naročiti in namestiti pred uporabo naprave. Filtre najdete na tržišču.

Napo je treba namestiti stran od posebej umazanih prostorov, oken, vrat in virov toplote. Dodatki za pritrditev na steno niso vključeni, saj se razlikujejo glede na material stene. Uporabite pritrdilne sisteme, ki so primerni za stene vašega doma in za težo aparata. Za podrobnejše informacije se obrnite na specializiranega prodajalca. Ta navodila shranite za prihodnjo uporabo.

Opis izdelka



- 1** Telo nape
- 2** Osvetlitev
- 3** Filter za maščobo
- 4** Nadzorna plošča


Nadzorna plošča

Tipka	Pritisk tipke	Funkcija	Led
A Hitrost	Kratek	Vklopi / izklopi motor na hitrost ena.	Vklopljen ali izklopljen
B Hitrost	Kratek	Zažene motor pri hitrosti dve. Izbrati morate tipko A .	A + B sta vklopljena
C Hitrost	Kratek	Zažene motor pri hitrosti tri. Izbrati morate tipko A .	A + C sta vklopljena
D Hitrost	Kratek	Zažene motor z intenzivno hitrostjo. Ta hitrost je nastavljena na 6 minut. Po preteku tega časa se sistem samodejno vrne na hitrost, ki je bila nastavljena pred tem. Če se zažene z izklopljenim motorjem, se bo po izteku časa preklopilo v položaj OFF. Če ga želite onemogočiti, pritisnite gumb A , B ali C.	A Vkllopljen D Utripa
E Luč	Kratek	Vklopi in izklopi sistem osvetljave pri največji jakosti.	Vklopljen ali izklopljen
	Dolg	Poveča ali zmanjša jakost osvetljave.	Vklopljen ali izklopljen

Splošni nasveti

- Napo vključite na minimalno hitrost, ko začnete kuhati, in jo pustite delovati še nekaj minut po koncu kuhanja.
- Povečajte hitrost le ob prisotnosti velikih količin dima in hlapov in uporabite intenzivno(-e) hitrost(-e) samo v ekstremnih situacijah.
- Po potrebi zamenjajte ogljene filtre, da ohranite dobro učinkovitost odpravljanja vonjav.
- Po potrebi očistite maščobne filtre, da ohranite dobro učinkovitost vpijanja maščob.
- Za optimizacijo učinkovitosti in zmanjšanje hrupa uporabite največji premer kanala, naveden v tem priročniku.

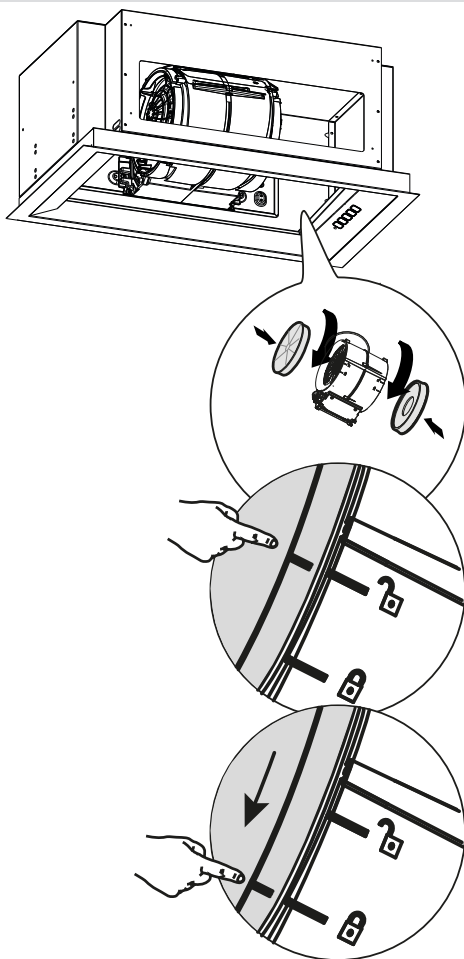
Čiščenje in vzdrževanje

 Pred kakršnimi koli vzdrževalnimi posegi izklopite ali odklopite napravo iz električnega omrežja.

POMEMBNO: Napo očistite s pomočjo vlažne krpe in nevtralnega tekočega detergenta.

Dolgotrajni ogljikov filter (zelen)

Filter proti vonjavam je mogoče regenerirati vsake 3–4 mesece (ali pogosteje, kadar gre za intenzivno uporabo nape), do največ 8 regeneracijskih ciklov (v primeru izjemno intenzivne uporabe se priporoča, da ne presežete 5 ciklov).



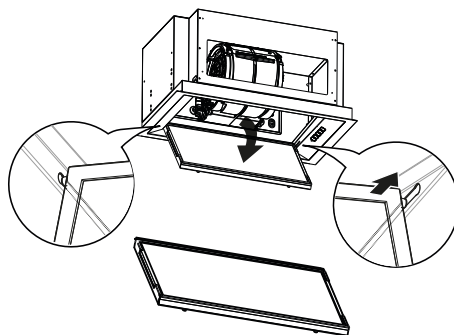
Postopek regeneracije

- Operite v pomivalnem stroju pri temperaturi največ 70 °C ali operite ročno s toplo vodo brez uporabe abrazivnih gobic (ne uporabljajte detergentov!).
- Posušite v pečici pri temperaturi največ 70 °C za 2 uri (priporočamo, da natančno preberete uporabniški priročnik in navodila za montažo pečice).

Filter za maščobo

Očistite ali zamenjajte filtre v določenih časovnih intervalih, da ohranite napo v dobrem stanju in se izognete potencialni nevarnosti požara zaradi prekomernega kopičenja maščobe. Filtre za maščobe je treba čistiti vsaka 2 meseca delovanja ali pogosteje

v primeru zelo intenzivne uporabe in jih je mogoče prati v pomivalnem stroju.



Zamenjava luči

Za menjavo se obrnite na pooblaščen servis za pomoč strankam.

Kaj narediti, če...

Če pride do napake, poskusite najprej sami najti rešitev. Če težave ne morete rešiti sami, se obrnite na pooblaščen servisni center.

i V primeru nepravilne uporabe aparata ali montaže, izvedene ob neupoštevanju navodil za montažo, bo morda potrebno plačati obisk serviserja pooblaščenega servisnega centra tudi v času veljavnosti garancije.

TEŽAVA	MOŽNI VZROK	REŠITEV
Aparat ni stabilen.	Aparat ni bil pravilno nameščen.	Upošteвайте navodila za namestitev, ki so priložena aparatu.
Aparat ni nameščen ravno.	Aparat ni bil pravilno nameščen.	Upošteвайте navodila za namestitev, ki so priložena aparatu.
Zajemanje maščob ni zadovoljivo.	Prisotnost olja in masti na kovinskih filterih ali filterih z aktivnim ogljem.	Upošteвайте pogostost čiščenja filtrov, kot je opisano v navodilih za uporabo.
Aparat ne deluje.	Aparat ni bil pravilno priključen.	Preverite, ali je omrežni kabel priključen na enoto motorja oz. ali je vtič vtaknjen v vtičnico.
Luč ne deluje.	LED je okvarjen.	Za menjavo se obrnite na pooblaščen servis za pomoč strankam.
Napa je glasnejša, kot je bilo pričakovano.	Premer zračnika v steni je premajhen in povzroča izgubo tlaka ter povečevanje hitrosti motorja.	Upošteвайте navodila za namestitev, ki so priložena aparatu.
	Izdelek je nameščen v načinu kroženja zraka.	Izdelek v načinu kroženja zraka (in z nameščenim filtrom z aktivnim ogljem) je glasnejši od izdelka v načinu sesanja.
	Prezračevalni kanal ima več kot en zavo.	Če ima sistem za odvod dima v stavbi več zavojev ali pokriva veliko razdaljo, je izdelek lahko hrupnejši.

Pred en se obrnete na pooblaščen servisni center:


Ponovno vklopite aparat, da vidite, ali je težava izginila. Če ne, ga znova izklopite in po eni uri ponovite postopek. Če naprava po

opravljenih pregledih, navedenih v navodilih za odpravljanje težav, in po ponovnem vklopu še vedno ne deluje pravilno, se obrnite na pooblaščen servisni center in jasno razložite težavo ter navedite:

- Vrsto okvare;
- model;
- tip in serijsko številko aparata (navedeno na tipski tablici).

Tehnički podatki

		Enota	Vrednost
Vrsta izdelka			Vgrajena napa
Mere	Širina	mm	599
	Globina	mm	358
	Višina najm./najv.	mm	290
Največji* pretok zraka - Izpust		m ³ /h	450
Najvišji nivo hrupa - Izpust		dBA	55
Najvišji* pretok zraka - Kroženje		m ³ /h	250
Najvišji nivo hrupa - Kroženje		dBA	66
Skupna moč		W	144
Informacije o luči	Vrsta:		LED palica
	Število in moč		3,8 W
	Priklop		Ni na razpolago
Minimalna vgradna višina - plinska kuhalna plošča		mm	650
Minimalna vgradna višina - električna kuhalna plošča		mm	500
Neto teža		Kg	8
* Največja hitrost (brez intenzivne nastavitve)			

Ta aparat je bil zasnovan, izdelan in tržen v skladu z direktivami EGS 

Tehnični podatki so prikazani na tablici, nameščeni v notranjosti aparata.

Energetska učinkovitost

Informacije o izdelku v skladu z uredbo EU št. 66/2014	Enota	Vrednost
Ime dobavitelja	IKEA	
Identifikacija modela	MÅNGSBO 906.091.16 106.176.10 906.176.11	
Poraba letne učinkovitosti	kWh/a	26,9
Koeficient podaljšanja časa		0,5
Učinkovitost pretoka zraka		40,5
Indeks energetske učinkovitosti		29,9
Izmerjena stopnja pretoka zraka na točki največje učinkovitosti	m ³ /h	410
Izmerjena stopnja zračnega tlaka na točki največje učinkovitosti	Pa	469
Največji pretok zraka	m ³ /h	450
Izmerjena stopnja električnega napajanja na točki največje učinkovitosti	W	132
Nazivna moč svetlobnega sistema	W	3,8
Povprečna osvetlitev sistema razsvetljave na kuhalni plošči	Lux	275
Merjena poraba toka v načinu pripravljenosti	W	0,49
Merjena poraba toka v načinu off	W	0,0
Raven zvoka pri največji hitrosti (brez intenzivne nastavitve)	dba	66

Referenčni predpisi:

EN/IEC 61591
EN/IEC 60704-1
EN/IEC 60704-2-13
EN/IEC 60704-3
EN 50564


Varčevanje z energijo

Naprava vključuje funkcije, ki pomagajo varčevati z energijo med vsakodnevnim kuhanjem.

Okoljski vidiki

Odstranjevanje gospodinjskih aparatov




Simbol  na izdelku ali embalaži označuje, da se izdelek ne sme odlagati med običajne gospodinjske odpadke. Odsluženi izdelek oddajte v specializirani zbirni center za recikliranje električnih in elektronskih komponent. Z zagotovitvijo pravilne odstranitve tega izdelka pripomorete k preprečevanju možnih neželenih posledic, ki bi jih neprimerno odlaganje imelo za okolje in zdravje ljudi. Za podrobnejše informacije o

recikliranju tega izdelka se obrnite na lokalne organe, lokalno službo za odstranjevanje odpadkov ali trgovino, kjer ste kupili izdelek.

Naprava je skladna z direktivo 2012/19/EU glede omejitve nevarnih snovi, ki so uporabljene v električni in elektronski opremi, in odstranjevanja odpadkov.

Odstranjevanje embalaže

Materiale s simbolom  je mogoče reciklirati. Embalažne materiale odstranite v ustrezne zbirne kontejnerje za reciklažo.

Garancija IKEA

Koliko traja garancija IKEA?

Ta garancija velja pet (5) let od prvotnega datuma nakupa naprave pri IKEA. Originalni račun je bistven kot potrdilo o nakupu. Popravilo, izvedeno pod garancijo, ne podaljša garancijskega obdobja naprave.

Kdo nudi pomoč?

Pomoč strankam zagotavlja izvajalec servisnih storitev, ki ga imenuje IKEA, in sicer preko lastne organizacije ali preko mrež pooblaščenih servisnih partnerjev.

Kaj pokriva garancija?

Garancija pokriva morebitne napake, ki so povezane z materiali ali konstrukcijo naprave, in velja od datuma nakupa naprave na prodajni točki IKEA. Garancija velja samo za gospodinjske aparate, namenjene za domačo uporabo. Izjeme so opisane v rubriki »Česa ne pokriva garancija?«. V obdobju veljavnosti garancije bo stroške popravila (rezervni deli, delo in potovanje tehničnega osebja) krila služba za pomoč, pod pogojem, da dostop do naprave za popravilo ne vključuje posebnih stroškov. Ti pogoji so skladni z direktivami UE (št. 99/44/ES) ter veljavnimi lokalnimi predpisi in odredbami. Zamenjani deli postanejo last podjetja IKEA.

Kako bo ukrepala IKEA, da reši težavo?

Ponudnik storitev, ki ga zadolži IKEA, bo izdelek preučil in se po lastni presoji odločil, ali ga krije garancija. V tem primeru bo ponudnik storitev IKEA ali njegov pooblaščen servisni partner prek svojih servisnih centrov po lastni presoji popravil pokvarjen izdelek ali ga nadomestil z enakim ali enakovrednim izdelkom.

Česa garancija ne pokriva?

- Običajne obrabe.
- Škoda, povzročena namerno ali iz malomarnosti, škoda zaradi neupoštevanja navodil za uporabo, nepravilna namestitev ali priključitev na napačno napetost, škoda, ki jo povzročijo kemične ali elektrokemične reakcije, rja, korozija ali škoda zaradi vode, vključno z neomejeno škodo zaradi prisotnosti prekomernega apnenca v vodovodnih ceveh in škode zaradi atmosferskih in naravnih dogodkov.
- Delov, podvrženih obrabi, na primer baterije in žarnice.
- Dekorativni in nefunkcionalni deli, ki ne vplivajo na običajno uporabo naprave, vključno s praskami in barvnimi spremembami.
- Nenamerna škoda, ki jo povzročijo snovi ali tujki in čiščenje ali sprostitev filtrov, odtočnih sistemov ali predalov za detergente.

- Poškodbe delov, kot so steklokeramika, dodatki, posode za posodo in jedilni pribor, dovodne in odtočne cevi, tesnila, žarnice in njihovi pokrovi, zaslони, gumbi, pokrovi in deli oblog, razen če je mogoče dokazati, da je takšno škodo povzročila proizvodna napaka.
- Primeri, pri katerih med obiskom tehnika ni mogoče najti nobenih napak.
- Popravila, ki jih ni opravil ponudnik storitev, pooblaščen s strani IKEA, ali pooblaščen servisni partner, ali popravila, pri katerih so bili uporabljeni neoriginalni deli.
- Popravila zaradi nepravilne ali nespecifične namestitve.
- Uporaba naprave v negospodinjenskem okolju, na primer za profesionalno uporabo.
- Škoda zaradi prevoza. V primeru, da izdelek do lastnega stanovanja ali na drug naslov dostavi stranka, IKEA ne prevzema odgovornosti za poškodbe, ki so nastale med transportom. Če pa je izdelek na strankin naslov dostavila IKEA, potem ta garancije pokriva morebitne poškodbe, povzročene s transportom.
- Začetni stroški namestitve naprave IKEA. Če pa ponudnik storitev, ki ga imenuje IKEA, ali njegov pooblaščen servisni partner popravi ali zamenja opremo v okviru garancije, mora dobavitelj ali pooblaščen servisni partner tudi inštalirati popravljeno ali nadomestno opremo, če je to potrebno.

Te omejitve ne veljajo za dela, ki jih usposobljeno osebje ustrezno izvede in pri katerih so uporabljeni originalni deli z namenom, da bi aparat priredili varnostnim predpisom druge države EU.

Veljavnost nacionalne zakonodaje

Garancija IKEA stranki podeljuje posebne pravne pravice poleg pravic, ki jih predvideva zakon, in se razlikujejo glede na državo. Vendar ti pogoji na noben način ne omejujejo potrošnikovih pravic, opisanih v lokalni zakonodaji.

Območje veljavnosti

Za naprave, ki so kupljene v eni državi EU in se prenesejo v drugo državo EU, je za servis

poskrbljeno na osnovi pogojev garancije, ki veljajo v novi državi. Obveznost zagotavljanja storitve pod pogoji garancije obstaja le, če je naprava skladna in nameščena v skladu z:

- tehnične specifikacije države, v kateri se zahteva uporaba garancije;
- varnostne informacije v uporabniškem priročniku.

Poprodajne storitve, namenjene napravam IKEA:

Ne oklevajte in pokličite servisno službo IKEA za:

1. prosite za pomoč ob uporabi garancije;
2. prosite za pojasnila glede namestitve naprav IKEA v specifične kuhinjske omare IKEA. Servisna služba ne nudi pomoči ali pojasnil za:
 - namestitev celotnih kuhinj IKEA;
 - električni priključki (če je aparat dobavljen brez kablov in vtičev), hidravlični priključki in priključki na plinski sistem, ki jih mora izvesti pooblaščen servisier.
3. prosite za pojasnila glede vsebine uporabniškega priročnika in glede specifikacij aparatov IKEA.

Da zagotovite najustreznejšo pomoč, vas prosimo, da pozorno preberete navodila za montažo in/ali priročnik za uporabo, preden pokličete servisno službo.

Kako vzpostavite stik, če potrebujete našo pomoč



Oglejte si celoten seznam ponudnikov storitev IKEA in njihove nacionalne telefonske številke na zadnji strani tega priročnika.

Pomembno! Za zagotovitev hitrejših storitev priporočamo uporabo telefonskih števil,

navedenih na koncu tega priročnika. Če želite zaprositi za pomoč, vedno upoštevajte posebne kode naprave, ki jih najdete v tem priročniku. Preden se obrnete na nas, se prepričajte, da imate kodo izdelka IKEA (8-mestno) za napravo, za katero prosite pomoč.

Pomembno! SHRANITE RAČUN!

To je vaše dokazilo o nakupu in ga morate predložiti, da uveljavite garancijo. Na potrdilu

sta prikazana tudi ime in koda (8-mestna) vsake naprave IKEA, ki ste jo kupili.

Ali potrebujete dodatno pomoč?

Za vsa dodatna vprašanja, ki niso povezana s poprodajo vaše naprave, se prosim obrnite na najbližji klicni center trgovine IKEA. Preden pokličete, priporočamo, da pozorno preberete dokumentacijo naprave.

İçerik

Güvenlik hakkında bilgiler	331	Ne yapmak gerekli?	337
Genel bilgiler	334	Teknik veriler	338
Ürünün açıklanması	335	Enerji Verimi	340
Kumanda paneli	335	Çevresel Özellikler	341
Genel tavsiyeler	336	IKEA Garantisi	341
Temizlik ve Bakım	336		

Güvenlik hakkında bilgiler

i Kendi güvenliğiniz açısından ve cihazın düzgün çalışması için, kurulum ve devreye alma işlemlerini gerçekleştirmeden önce, lütfen bu kılavuzu dikkatlice okuyun. Satış ya da üçüncü şahıslara devir durumunda dahi, işbu talimatları daima cihaz ile birlikte bulundurun. Kullanıcıların, cihazın tüm işletim ve güvenlik özelliklerini bilmeleri önemlidir.

! Kablo bağlantıları yetkin bir teknisyen tarafından yapılmalıdır.

- Üretici, uygun olmayan bir kurulum ya da kullanımdan kaynaklanan muhtemel hasarlardan dolayı sorumlu tutulamaz.
- Ocak ile davlumbaz arasındaki en düşük mesafe elektrikli ocak davlumbazlarında 500 mm ve gazlı ocak davlumbazlarında 650 mm'dir.
- Gazlı ocağın kurulum talimatlarında belirtilenden daha büyük bir mesafe şart koşuluyorsa, bunun hesaba katılması gerekir.
- Şebeke geriliminin davlumbazın içinde bulunan bilgi plakasında belirtilen değere karşılık geldiğini kontrol edin.
- Bağlantı kesme cihazları, kablolama sistemindeki yönetmeliklere uygun olarak sabit sisteme monte edilmelidir.

- Sınıf I cihazlarda evdeki besleme şebekesinde yeterli bir toprak bağlantısı bulunduğundan emin olun.
- Davlumbazı çapı en az 150 mm olan bir boruyla duman bacasına bağlayın. Duman güzergahı mümkün olduğunca kısa olmalıdır.
- Hava tahliyesiyle ilgili tüm yönetmeliklere uygun hareket edilmelidir.
- Davlumbazı yanma dumanlarının taşındığı (ör. kazanlar, şöminelere, vb. yönelik) duman bacalarına bağlamayın.
- Davlumbaz elektrikli olmayan aletlerle (ör. gazlı aletlerle) birlikte kullanılacaksa, tahliye edilen gaz akışının geri dönmesini önlemek için yeterli düzeyde yerel havalandırma sağlanmalıdır. Mutfak davlumbazı elektrik akımıyla besleme yapılan cihazlarla birlikte kullanıldığında, dumanların davlumbazın bulunduğu yere geri çekilmesini önlemek için bulunulan yerdeki negatif basınç 4 Pa değerini aşmamalıdır.
- Gazla veya diğer yakıtlarla besleme yapılan yanma cihazlarından çıkan dumanları tahliye etmekte kullanılan bir kanaldan hava tahliyesi yapılmamalıdır.
- Güç kablosu hasar görmüşse, imalatçı veya teknik servis teknisyeni tarafından değiştirilmelidir.
- Fişi, yürürlükteki yönetmeliklere uygun tipte ve erişilebilen bir yerde bulunan prize takın.
- Dumanların tahliyesi konusundaki alınacak teknik önlemler ile güvenlik önlemleri konusunda yerel makamlarca şart koşulan yönetmeliklere titizlikle uymak önemlidir.

⚠ UYARI: Davlumbazı monte etmeden önce koruyucu filmleri çıkarın.

- Yalnızca davlumbaza uygun tipte vida ve somunları kullanın.

⚠ UYARI: Vidaların veya tespit cihazlarının bu talimatlara uygun olarak takılmaması halinde elektrik çarpması riskleri meydana gelebilir.

- Davlumbazı elektrik besleme şebekesine, kontakları arasındaki mesafe en az 3 mm olan iki kutuplu bir şalterle bağlayın.
- Optik cihazlarla (dübbün, büyütücü mercek, vb.) doğrudan bakmayın.
- Davlumbazın altında flambe usulü pişirme yapmayın: Yangın çıkabilir.
- Bu cihaz, 8 yaşının altındaki çocuklar tarafından ve psikolojik-fiziksel-duyusal yetenekleri sınırlı veya bilgi ve becerileri yetersiz olan kişiler tarafından, cihazın emniyetli bir şekilde nasıl kullanılacağı ve oluşabilecek tehlikeler hakkında dikkatlice denetlenmeleri ve talimatlandırılmaları şartıyla kullanılabilir. Çocukların cihazla oynamadıklarından emin olun. Kullanıcı tarafından yapılan temizlik ve bakım işlemleri, gözetim altında olmadıkları sürece çocuklar tarafından yapılamaz.
- Cihazla oynamadıklarından emin olacak şekilde çocukları gözetim altında bulundurun.
- Bu cihaz, dikkatli bir gözetim altında bulundurulmadıkları ve talimatlar açıklanmadığı sürece psikolojik-fiziksel-duyusal yetenekleri sınırlı veya bilgi ve becerileri yetersiz olan kişiler tarafından kullanılmamalıdır.

⚠ Erişilebilir kısımlar pişirme cihazlarının kullanımı sırasında çok ısınabilir

- Belirtilen süreden sonra filtreleri temizleyin ve/veya değiştirin (yangın tehlikesi).
- Gaz veya başka yakıtları kullanan cihazlarla aynı anda kullanıldığında davlumbazın bulunduğu yerde yeterli bir havalandırma sağlanmalıdır (yalnızca bulunulan yere hava tahliyesi yapan cihazlar için geçerli değildir).

- Mutfak davlumbazı ve diğer pişirme kaynaklı dumanları dışarı atan cihazlar, yanma gazlarının geri akışına bağlı olarak gaz veya diğer yakıtları yakan cihazların güvenli çalışmalarını engelleyebilirler (diğer ortamlarda bulunanlar dahil). Bu gazlar karbon monoksit zehirlenmesine neden olabilirler. Mutfak davlumbazının veya pişirme kaynaklı dumanları dışarı atan diğer cihazların kurulumunu yaptıktan sonra, gazlı cihazların ehil bir kişi tarafından test edilerek yanma gazlarının geri dönmediğinden emin olunmalıdır.

Genel bilgiler

Kullanım

- Her türlü temizlik ya da bakım operasyonundan önce, cihazı kapatın ya da elektrik besleme şebekesi ile bağlantısını kesin.
- Davlumbaz destek yüzeyi olarak kullanılmalıdır.
- Aspiratör davlumbaz yalnızca ev tipi kullanımda pişirme kaynaklı kokuları gidermek için tasarlanmıştır.
- Hiçbir durumda aspiratör davlumbazı tasarlandığından farklı amaçlar için kullanmayın.
- Çalışır durumdayken asla aspiratör davlumbazın altında yüksek alev bırakmayın.
- Alevin yoğunluğunu yalnızca pişirme yapılan kabın tabanına doğru olacak şekilde yönlendirin, yanlardan dışarı taşmadığından emin olun.
- Kızartıcıların kullanım sırasında daima kontrol edilmeleri gerekir: aşırı ısınan yağ tutuşabilir.

Kurulum şekli

Davlumbaz "havayı dışarı atan versiyon" veya "havayı dolaştıran versiyon" olarak kurulmak ve kullanılmak üzere tasarlanmıştır.



Havayı dışarı atan versiyon (kurulum talimatlarındaki simgeye bakın)

Pişirme işleminden çıkan buharlar çekilerek, davlumbazın buhar çıkışına takılan (tedarik

edilmeyen) tahliye borusu aracılığıyla konutun dışına sevk edilir. Tahliye borusunun uygun bir bağlantı sistemi kullanılarak hava çıkışına doğru şekilde takıldığından emin olun.



Havayı dolaştıran versiyon (kurulum talimatlarında simgeye bakın)

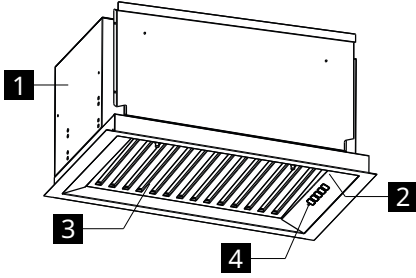
Hava bir veya daha çok filtreden geçirilerek filtre edilir ve ardından ortama geri sevk edilir.

Önemli: Davlumbazın çevresinde doğru bir dolaşım bulunduğundan emin olun.

Önemli: Davlumbazın donatımında karbon filtreler yoksa, bunlar cihaz kurulmadan ve kullanılmadan önce sipariş edilerek takılmalıdır. Filtreler ticari olarak bulunabilir.


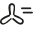
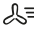


Davlumbaz özellikle kirli alanlardan, pencerelerden, kapılardan ve ısı kaynaklarından uzağa takılmalıdır. Duvar malzemesine göre değişiklik gösterdiklerinden duvara sabitleme aksesuarları dahil edilmemiştir. Konutunuzun duvarlarına ve cihazın ağırlığına uygun sabitleme sistemlerini kullanın. Daha ayrıntılı bilgi almak için uzman bir satıcıyla iletişime geçin. İleride başvurmak için bu talimatları saklayın.

Ürünün açıklanması



- 1 Davlumbaz gövdesi
- 2 Aydınlatma
- 3 Yağ filtresi
- 4 Kumanda panosu

Kumanda paneli

					
	A	B	C	D	E
Tuş	Tuşa basış şekli	Fonksiyonu			Led
A Hız	Kısa süreli	Motoru, birinci hızda çalıştırır/kapatır.			Yanar veya Söner
B Hız	Kısa süreli	Motoru ikinci hızda çalıştırır. A tuşu seçilmelidir.			A + B yanar
C Hız	Kısa süreli	Motoru üçüncü hızda çalıştırır. A tuşu seçilmelidir.			A + C yanar
D Hız	Kısa süreli	Motoru, Yoğun hızda çalıştırır. Bu hız 6 dakika zaman ayarlıdır. Sürenin sonunda, sistem otomatik olarak bir önceki ayara geri döner. Eğer motor kapalıyken aktive edildiye, süre ayarının sonunda OFF konumuna döner. Devre dışı bırakmak için, A, B veya C tuşuna basın. A tuşu seçili olmalıdır.			A Sabit yanar D Yanıp söner
E Işıklar	Kısa süreli	Aydınlatma sistemini maksimum yoğunlukta açar ve kapatır.			Yanar veya Söner
	Uzun süreli	Aydınlatmanın yoğunluğunu artırır veya azaltır.			Yanar veya Söner

Genel tavsiyeler

- Pişirme işlemine başladığınızda davlumbazı düşük hızda çalıştırın ve pişirme işlemi sona erdikten sonra birkaç dakika daha çalışır durumda tutun.
- Hızı yalnızca çok fazla duman ve buhar çıkıyorsa arttırın ve yoğun hızı/hızları yalnızca kesinlikle gerekli durumlarda kullanın.
- Koku giderme verimini yüksek düzeyde tut-

mak için karbon filtreyi veya filtreleri gerektiğinde değiştirin.

- Yağ giderme verimini yüksek düzeyde tutmak için yağ filtresini veya filtrelerini gerektiğinde temizleyin.
- Verimi optimize etmek ve gürültüyü azaltmak için bu kılavuzda belirtilen azami kanal çapını kullanın.

Temizlik ve Bakım

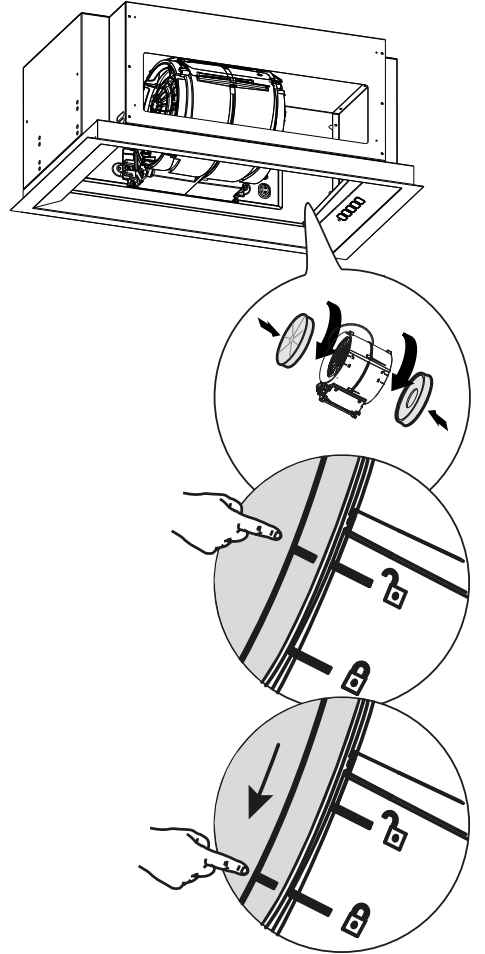


Her türlü bakım işleminden önce, cihazı kapatın ya da elektrik besleme şebekesi ile bağlantısını kesin.

ÖNEMLİ: Davlumbazı nemli bir bez ve nötr sıvı deterjan kullanarak temizleyin.

Uzun ömürlü karbon filtre (Yeşil)

Koku önleyici filtre, en çok 8 kez olmak üzere her 3-4 ayda bir (veya davlumbaz daha yoğun kullanıma maruz kalıyorsa daha sık) yıkanabilir ve yenilenebilir (özellikle yoğun kullanımda 5 çevrimin aşılması tavsiye edilir).



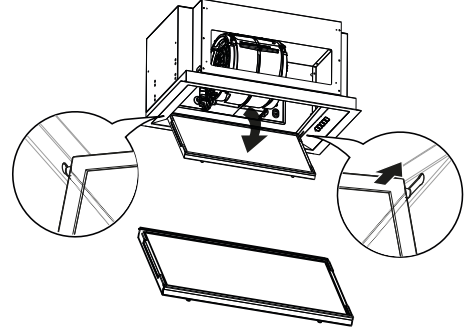
Yenileme prosedürü

- Bulaşık makinesinde maksimum 70° derecede veya aşındırıcı sünger kullanmadan, ılık suda elde (deterjan kullanmadan) yıkayın.
- 2 Saat boyunca MAKSİMUM 70° ısıda kurutun (fırının kullanım kılavuzu ve montaj talimatlarını dikkatlice okumanız tavsiye edilir).

Yağ filtreleri

Davlumbazı düzgün çalışır halde tutmak ve aşırı yağ birikmesinden kaynaklanan yangın riski potansiyelini önlemek için filtreleri belirtilen aralıklarda temizlemeye devam edin veya değiştirin. Yağ tutucu filtrelerin her 2 çalışma ayında bir , veya çok yoğun kullanılması halinde daha sık temizlenmeleri

gerekir ve bu filtreler bulaşık makinesinde yıkanabilir.



Lambaların değiştirilmesi

Değişim için Yetkili Servis Merkeziyle iletişime geçin.

Ne yapmak gerekli?

Bir arıza çıktığında, ilk olarak kendiniz çözüm bulmaya çalışın. Sorunu kendi başınıza giderebiliyorsanız, yetkili servis merkezine başvurun.

i Cihazın uygunsuz kullanılması veya kurulumunun montaj talimatlarına uygun olmayan şekilde yapılması, garanti süresi içinde dahi Yetkili Servis Merkezi teknisyeninin ziyareti için ödeme yapmanızı gerektirecektir.

SORUN	OLASI NEDENİ	ÇÖZÜMÜ
Cihaz dengeli değil.	Cihazın kurulumu doğru yapılmamış.	Cihazla birlikte verilen kullanım kılavuzuna uygun hareket edin.
Cihaz düz bir yerde değil.	Cihazın kurulumu doğru yapılmamış.	Cihazla birlikte verilen kullanım kılavuzuna uygun hareket edin.
Yağları tutma açısından performans memnun edici değil.	Metal filtrelerde veya karbon filtrelerde yağ mevcut.	Kullanım kılavuzunda açıklanan filtre temizlik sıklığına uygun hareket edin.
Cihaz çalışmıyor.	Cihazın bağlantısı doğru yapılmamış.	Elektrik kablosunun motor grubuna bağlı ve fişin prize takılı olduğundan emin olun.
Işık çalışmıyor.	LED lamba bozulmuş.	Değişim için Yetkili Servis Merkeziyle iletişime geçin.
Davlumbaz müşterinin beklentilerine göre daha gürültülü çalışıyor.	Duvardaki baca bağlantısının çapı çok küçük ve basınç kaybına veya motorun hızının artmasına neden oluyor.	Cihazla birlikte verilen kullanım kılavuzuna uygun hareket edin.
	Ürün sirkülasyon modunda kurulmuş.	Sirkülasyon modunda (ve karbon filtre takılı haldeki) ürün tahliye modundaki ürüne göre daha gürültülüdür.
	Havalandırma kanalında birden çok dirsek var.	Binanın duman tahliye baca sisteminde çok fazla dirsek varsa veya uzun bir mesafe kat ediyorsa, ürün daha gürültülü çalışır.

Yetkili Servis Merkezini aramadan önce:


Sorunun düzelip düzelmediğini görmek için cihazı yeniden açın. Düzelmemişse, kapatın ve bir saat sonra bu işlemi tekrarlayın. Arıza

giderme kılavuzunda listelenen kontrolleri yaptıktan ve cihazı yeniden açtıktan sonra cihaz hala düzgün çalışmıyorsa, Yetkili Servis Merkezini arayarak sorunu açıkça tarif edin ve şunları belirtin:

- Arızanın türü.
- Cihazın modeli.
- Cihazın tipi ve seri numarası (plakasında belirtilir).

Teknik veriler

		Birim	Değer
Ürün Tipi			Bütünleşik davlumbaz
Boyutları	Genişlik	mm	599
	Derinlik	mm	358
	Yükseklik min./maks	mm	290
Maks* hava debisi - Tahliye		m ³ /saat	450
Maks gürültü seviyesi - Tahliye		dBA	55
Maks* hava debisi - Devridaim		m ³ /saat	250
Maks gürültü seviyesi* - Devridaim		dBA	66
Toplam Akış		W	144
Lambayla ilgili bilgiler	Tip		LED çubuk
	Adedi ve gücü		3,8 W
	Bağlantı		N/D
Minimum kurulum yüksekliği - gaz ocağı		mm	650
Minimum kurulum yüksekliği - elektrikli ocak		mm	500
Net ağırlık		Kg	8
* Azami hız (yoğun ayar olmadan)			

Bu cihaz, AET Direktiflerine  uygun olarak tasarlanmış, üretilmiş ve pazarlanmıştır.

Teknik veriler, cihazın içine uygulanan bilgi plakasında belirtilmektedir.

Enerji Verimi

66/2014 sayılı AB yönetmeliğine göre ürünle ilgili bilgiler	Birim	Değer
Tedarikçinin adı	IKEA	
Modelin tanımlanması	MÅNGSBO 906.091.16 106.176.10 906.176.11	
Yıllık enerji tüketimi	kWsaat/yıl	26,9
Zaman artış katsayısı		0,5
Akışkan dinamiği verimliliği		40,5
Enerji verimliliği endeksi		29,9
En iyi verimlilik noktasında ölçülen hava akımı	m ³ /saat	410
En iyi verimlilik noktasında ölçülen hava basıncı	Pa	469
Azami hava debisi	m ³ /saat	450
En iyi verimlilik noktasında ölçülen elektrik beslemesi	W	132
Aydınlatma sisteminin nominal gücü	W	3,8
Ocak üzerindeki aydınlatma sisteminin ortalama aydınlatması	Lux	275
Hazırda bekleme modunda ölçülen akım tüketimi	W	0,49
Kapalı modda ölçülen akım tüketimi	W	0,0
Azami hızda ses seviyesi (yoğun ayar hariç)	dBa	66

Referans Standartları:

EN/IEC 61591
EN/IEC 60704-1
EN/IEC 60704-2-13
EN/IEC 60704-3
EN 50564


Enerji Tasarrufu

Cihaz, her gün pişirme işlemi sırasında enerjiden tasarruf edilmesine olanak tanıyan özellikler içerir.

Çevresel Özellikler

Ev aletlerinin bertarafı



Ürünün veya ambalajının üzerindeki  sembolü, ürünün normal evsel atıklarla birlikte atılmaması gerektiğini gösterir. Ürün, elektrikli ve elektronik bileşenlerin geri dönüşümünde uzmanlaşmış bir merkezde bertaraf edilmelidir. Bu ürünün doğru şekilde imha edildiğinden emin olunması, çevre ve sağlık için uygun olmayan bertarafı kaynaktanabilecek olası olumsuz sonuçların önlenmesine yardımcı olacaktır. Bu ürünün geri dönüşümü hakkında daha ayrıntılı bilgi

için, belediye yetkilileri, yerel atık imha servisi veya ürünün satın alındığı mağaza ile temasa geçin.

Cihaz, elektrikli ve elektronik cihazlarda kullanılan tehlikeli maddelerin azaltılması ve atıkların bertarafına ilişkin 2012/19/UE sayılı direktife uygundur.

Ambalaj malzemelerinin bertarafı



sembole taşıyan malzemeler geri dönüştürülebilirler. Ambalaj malzemelerini geri dönüşüme özel toplama konteynerlerine atın.

IKEA Garantisi

IKEA garanti belgesi ne kadar süre için geçerlidir?

Bu garanti, cihazın IKEA'dan satın alındığı tarihten itibaren beş (5) yıl geçerlidir. Orijinal makbuz, satın alma makbuzunun vazgeçilmez bir parçasıdır. Garanti onarımı, cihazın garanti süresini uzatmaz.

Servisi kimler verir?

Müşteri hizmetleri, kendi organizasyon ağı ya da yetkili servis ortakları şebekesi aracılığıyla, IKEA tarafından tayin edilen servis sağlayıcısı tarafından sağlanacaktır.

Garanti neleri kapsar?

Garanti, cihazın malzemesine ya da yapımına ilişkin muhtemel kusurları kapsar ve bir IKEA satış mağazasından ürünün satın alındığı tarihten itibaren geçerlidir. Garanti, sadece ev içi kullanıma adanmış cihazlar için geçerlidir. İstisnalar, "Garanti neleri kapsamaz?" bölümünde açıklanmıştır. Garantinin geçerli olduğu süre boyunca onarım masrafları (yedek parçalar, işçilik ve teknik personelin seyahati), onarım işlemini yapmak için cihaza erişmek özel masraflar gerektirmemesi koşuluyla, yetkili servis tarafından karşılanacaktır. Bu koşullar, AB direktiflerine (99/44/CE sayılı) ve uygulanabilir yerel

hükümlere uygundur. İkame edilen parçalar, IKEA'nın mülkiyetine gireceklerdir.

Sorunu çözmek için IKEA nasıl müdahale edecektir?

IKEA tarafından görevlendirilen yetkili servis sağlayıcı ürünü inceleyecek ve kendi münhasır takdirine göre garanti kapsamına girip girmediğine karar verecektir. Sonucun olumlu olması halinde IKEA yetkili servis sağlayıcı veya yetkili servis ortağı, kendi servis merkezleri aracılığıyla, kendi münhasır takdirine göre kusurlu ürünün onarılmasını veya aynı ya da eşit değerinde bir ürünle değiştirilmesini sağlayacaktır.

Garanti neleri kapsamaz?

- Normal aşınma.
- Kasıtlı verilen veya ihmale bağlı hasarlar, çalıştırma talimatlarına uyulmamasından kaynaklı hasarlar, kurulumun doğru yapılmaması veya hatalı gerilime bağlantı yapılmasından kaynaklı hasarlar, kimyasal veya elektrokimyasal tepkimeler, pas, korozyondan kaynaklı hasarlar ile sınırlamak olmaksızın su borularında aşırı kireç olmasından kaynaklı hasarlar dahil sudan kaynaklı hasarlar ve hava şartlarında veya doğal şartlardan kaynaklı hasarlar.
- Aşınmaya tabi parçalar, örneğin bataryalar

ve ampuller.

- Çizikler ve renk değişimleri dahil, dekoratif ve işlevsel olmayan, elektrikli ev aletinin normal kullanımını etkilemeyen parçalar.
- Yabancı cisimler ve temizlik maddelerinden veya filtreler, tahliye sistemleri deterjan kalarını serbest kalmasından kaynaklı hasarlar.
- Seramik cam, aksesuarlar, çatal bıçak setleri, besleme ve tahliye boruları, conta-lar, lambalar ve lamba kapakları, ekranlar, düğmeler, muhafazalar ve muhafaza parçaları gibi parçalardaki hasarlar. Söz konusu hasarların üretim kusurlarından kaynaklandığı kanıtlanmamış olmalıdır.
- Bir teknisyenin kontrolü esnasında kusur olarak tespit edilmeyen durumlar.
- IKEA ya da yetkili servis ortağı tarafından tayin edilen hizmet sağlayıcısı tarafından gerçekleştirilmeyen onarımlar veya orijinal parça kullanılmadan yürütülen onarımlar.
- Yanlış kurulumdan ya da özellikler uymayan montajdan kaynaklanan onarımlar.
- Elektrikli ev aletinin ev olmayan ortamda, örneğin profesyonel kullanım amacıyla kullanılması.
- Nakliyeye bağlı hasarlar. Bizzat kendi konutuna ya da başka bir teslimat adresine müşteri tarafından nakliye gerçekleştirilmesi durumunda, IKEA, nakliye esnasında oluşabilecek muhtemel hasarlardan dolayı sorumlu tutulamayacaktır. Ancak, eğer nakliye, müşterinin adresine IKEA tarafından gerçekleştirilmişse, nakliye sebebiyle oluşan muhtemel hasarlar, garanti kapsamına gireceklendir.
- IKEA cihazlarının ilk kurulum maliyeti. Bununla birlikte, IKEA tarafından görevlendirilen edilen sağlayıcı veya yetkili servis ortağı garanti kapsamında bir cihaz onarımı veya değişimi yaparsa, yetkili servis sağlayıcısı veya ortağı aynı zamanda gerektiğinde onarılan cihazın geri kurulumunu veya değiştirilen cihazın kurulumunu yapacaktır.

Bu sınırlamalar, cihazın başka bir AB ülkesindeki güvenlik kurallarına adapte edilmesi için, kalifiye personel tarafından ve orijinal yedek parça kullanılarak yürütülen işçilik çalışmalarında uygulanmazlar.

Ulusal yasaların uygulanabilirliği

IKEA garantisi, ülkeden ülkeye değişiklik gösteren ve kanun tarafından öngörülen haklara ilaveten, müşteriye özel yasal haklar tanımaktadır. Bununla birlikte bu koşullar tüketicinin yerel mevzuatta açıklanan haklarını hiçbir şekilde sınırlandırmaz.

Geçerlilik alanı

Bir AB ülkesinde satın alınan ve bir başka AB ülkesine transfer edilen cihazlar için, hizmetler, yeni ülkedeki uygulanabilir koşullar temelinde sağlanacaktır. Garanti koşullarına dayalı servis sağlama yükümlülüğü yalnızca cihazın aşağıdakilere uygun olması ve uygun şekilde kurulmasına bağlıdır:

- Garantinin uygulanmasının istendiği ülkenin teknik özellikleri;
- Kullanım Kılavuzunda yer alan güvenlik bilgileri.

IKEA elektrikli ev aletlerinde satış sonrası Yetkili Servis:

Aşağıdakiler için IKEA satış sonrası Yetkili Servisiyle bağlantı kurmaktan çekinmeyin:

1. Garantiden yararlanarak servis talebinde bulunmak;

2. IKEA cihazının özel IKEA mutfak mobilyasına kurulumu hakkında açıklama istemek. Servis aşağıdakilerle ilgili açıklama vermeyecektir:

- IKEA komple mutfak kurulumu;
- Yetkili bir servis teknisyeni tarafından gerçekleştirilmesi gereken elektrik bağlantıları (eğer cihaz, kablosuz ve fişsiz olarak teslim edilmişse), hidrolik tesisat ve gaz tesisatı bağlantıları.

3. Kullanma kılavuzu ve IKEA cihazının özellikleri hakkında açıklama talep etmek.

En iyi yardım hizmetinin sağlanması için, irtibata geçmeden önce Montaj Talimatlarını ve/veya Kullanma Kılavuzunu dikkatlice okumanızı rica ederiz.

Eğer bizim müdahalemize ihtiyaç duyarsanız, nasıl irtibata geçersiniz



İşbu kullanma kılavuzunun son sayfasında bulunan, ilgili ulusal telefon numaralarını da ihtiva eden IKEA hizmet sağlayıcılarının tam listesine başvurun.

Önemli! Daha hızlı bir hizmetin sağlanması için, işbu kılavuzun sonundaki listede bulunan telefon numaralarını kullanmanızı tavsiye ederiz. Servis talebinde bulunmak için daima bu kılavuzun içinde bulunan cihazın özel kodlarını belirtin. Bizimle irtibata geçmeden

önce, desteğin gerekli olduğu cihaza ilişkin IKEA ürün kodunun (8 rakamlı) elinizde bulunduğundan emin olun.

Önemli! MAKBUZU SAKLAYIN!

Satın alma kanıtıdır ve garantiden faydalanabilmeniz için ibraz etmeniz gerekmektedir. Satış fişinin üzerinde, satın alınan IKEA Cihazının aynı zamanda adı ve (8 rakamlı) kodu da belirtilmiştir.

Başka bir yardıma ihtiyacınız var mı?

Cihazlarınızın Satış Sonrasıyla ilgili olmayan her türlü başka sorunuz için. Lütfen size en yakın IKEA mağazasının çağrı merkezini arayın. Bizimle irtibata geçmeden önce, cihazın belgelerinin dikkatlice okunması tavsiye olunur.

Съдържание

Информация за безопасност	344	Какво да се направи, ако...	352
Обща информация	348	Технически данни	352
Описание на продукта	349	Енергийна Ефективност	354
Контролен панел	349	Екологични Аспекти	355
Общи препоръки	350	Гаранция IKEA	355
Поддръжка и почистване	350		

Информация за безопасност

! За собствената ви безопасност и за правилна работа на уреда, прочетете внимателно това ръководство, преди да монтирате и използвате продукта. Съхранявайте тези инструкции винаги заедно с уреда, дори и ако е продаден или предаден на други лица. Важно е потребителите да познават всички характеристики за работа и безопасност на уреда.

! Свързването на проводниците трябва да се извърши от специализиран техник.

- Производителят не носи отговорност за повреди, предизвикани от неправилен или неподходящ монтаж.
- Минималната безопасна дистанция между плота за готвене и аспиратора е 500 mm за аспиратори на електрически плотове и 650 mm за аспиратори на плотове на газ.
- Ако инструкциите за монтаж на плота за готвене на газ, определят една по-голяма дистанция, от посочената по-горе, това трябва да се вземе предвид.
- Проверете дали напрежението на мрежата съответства на посоченото на табелката с данни, поставена от вътрешна-

та страна на аспиратора.

- Вградените устройства трябва да се монтират в системата в съответствие с нормативната уредба за прокарване на кабели.
- За уреди от клас I проверете дали битовото електрозахранване разполага с правилно свързване към заземяване.
- Свържете аспиратора към дымоотвода с минимален диаметър на тръбата 150 mm. Пътят на отработените газове трябва да бъде възможно най-къс.
- Трябва да се спазват всички разпоредби по отношение на извеждане на въздуха.
- Не свързвайте аспиратора с дымоотводи, които пренасят отработени газове от горене (напр. котли, комини и др.).
- Ако аспираторът се използва в комбинация с не електрически уреди (напр. уреди на газ), трябва да се осигури достатъчна степен на вентилация в помещението, за да се предотврати връщането на потока от отработени газове. Когато кухненският аспиратор се използва в комбинация с уреди, които не се захранват от електричество, отрицателното налягане в помещението не трябва да надвишава 4 Pa, за да се предотврати връщането на отработени газове обратно в помещението от аспиратора.
- Въздух не трябва да бъде евакуиран през канал, използван за отвеждане на отработените газове, от уреди за горене, захранвани с газ или други горивни материали.
- Ако захранващият кабел е повреден, той трябва да се смени от производителя или от сервиза на негов представител.
- Включете щепсела в контакт, който отговаря на нормите за електрозахранване и е разположен на достъпно място.
- По отношение на техническите мерки и мерките за безо-


пасност, които трябва да бъдат приети за изпускането на отработени газове, е важно стриктно да се спазват разпоредбите, установени от местните власти.

⚠ ПРЕДУПРЕЖДЕНИЕ: преди инсталиране на аспиратора, отстранете защитното фолио.

- Използвайте само винтове и гайки от подходящ за аспиратора.

⚠ ПРЕДУПРЕЖДЕНИЕ: неспазването на тези инструкции при поставянето на винтовете или закрепващите елементи може да доведе до опасност от електрически удар.

- Свържете аспиратора към електрическата мрежа за храняване посредством двуполюсен прекъсвач с дистанция между контактите на поне 3 mm.
- Не гледайте директно към светлината през оптични устройства (бинокли, увеличителни стъкла и др.).
- Не гответе фламбе под аспиратора: може да настъпи пожар.
- Този уред може да се използва от деца на възраст над 8 години, от лица с намалени физически, сетивни и умствени способности или от лица без опит и познания, когато са под наблюдение или са инструктирани как да използват уреда по безопасен начин и разбират възможните опасности. Не позволявайте на деца да си играят с уреда. Дейностите по почистване и поддръжка не трябва да се извършват от деца без надзор.
- Наблюдавайте децата и не позволявайте да си играят с уреда.
- Уредът не е предназначен за използване от лица (включително деца) с намалени физически, сетивни или умствени способности, или на които липсват опит и познания, освен ако не бъдат наблюдавани или инструктирани.

 Достъпните части могат да се нагреят по време на употреба на уредите за готвене

- Почиствайте и/или заменяйте филтрите след указания период от време (опасност от пожар).
- Трябва да има подходяща вентилация в помещението, когато аспираторът се използва едновременно с уреди, които работят на газ или други горива (не се прилага за уреди, които изпускат само въздух в помещението).
- Кухненските аспиратори и другите екстрактори на изпарения от готвене, могат да повлияят на безопасното функциониране на уредите, които горят газ или други горивни материали (включително тези, които работят в други помещения), поради обратния поток на газ за горене. Тези газове могат да доведат до натравяне от въглероден диоксид. След инсталирането на един кухненски аспиратор или на какъвто и да е вид екстрактор на изпарения от готвене, уверете се, че газовите уреди са тествани от компетентно лице за да се гарантира, че няма опасност да възникне изпускане на газ за горене.

Обща информация

Употреба

- Изключвайте уреда или изваждайте щепсела от контакта, преди да извършвате дейности по поддръжката.
- Аспираторът не трябва да бъде използван за поставка.
- Аспираторът е проектиран единствено за отстраняване на миризми от готвене за домашна употреба.
- Не използвайте в никакъв случай аспиратора за цели, различни от тези, за които е проектиран.
- Никога не оставяйте високи пламъци под аспиратора, когато функционира.
- Регулирайте силата на пламъка така, че да го насочите единствено към дъното на съда за готвене, уверете се, че не обгръща страните.
- Фритюрниците трябва да се наблюдават постоянно по време на употреба: прегрялото олио може да се запали.

Начин на инсталиране

Аспираторът е проектиран за инсталиране и употреба във "версия с аспирация" или във "версия с циркулация на въздух".



Версия с аспирация (виж символа в инструкциите за инсталиране)

Парата от готвене се засмуква и съпровожда извън помещението посредством отвеждаща тръба (не е

доставена) инсталирана на изхода за пара на аспиратора. Уверете се, че тръбата за отвеждане е инсталирана правилно на изхода за въздух, като използвате подходяща система за свързване.



Версия с циркулация на въздух (виж символа в инструкциите за инсталиране)

Въздухът се филтрира през един или повече филтри и след това се насочва обратно в помещението.

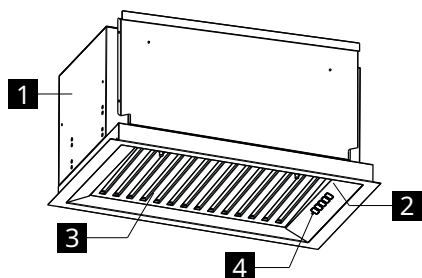
Важно: Уверете се, че има правилна циркулация на въздуха около аспиратора.

Важно: Ако към аспиратора не са приложени филтрите с въглен, те трябва да бъдат поръчани и монтирани преди употребата на уреда. Филтрите са налични в търговската мрежа.

Аспираторът трябва да се монтира далеч от особено замърсени зони, прозорци, врати и източници на топлина.


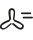



Акcesoарите за фиксиране на стената не са включени, тъй като са различни, в зависимост от материала на стената. Използвайте подходящи системи за фиксиране на стените на вашето жилище и за теглото на уреда. За по-подробна информация, свържете се с оторизиран представител. Запазете тези инструкции, за бъдещи справки.

Описание на продукта



- 1 Корпус аспиратор
- 2 Осветление
- 3 Филтър за мазнини
- 4 Табло команди

Контролен панел

						
		A	B	C	D	E
Бутон	Натискане на бутон	Функция				Led индикатор
A Скорост	Кратко	Включва/изключва мотора на първа скорост.				Включен или изключен
B Скорост	Кратко	Активира мотора на втора скорост. Трябва да е избран бутон A .				A + B са включени
C Скорост	Кратко	Активира мотора на трета скорост. Трябва да е избран бутон A .				A + C са включени
D Скорост	Кратко	Включва мотора на усилена скорост. Тази скорост е зададена с продължителност 6 минути. След това време системата се връща автоматично към зададената преди това скорост. Ако е активирана при изключен мотор, тя ще се ИЗКЛЮЧИ при изтичане на това време. За да я деактивирате, натиснете бутон A , B или C . Бутон A трябва да е избран.				A Включен D Мигащ
E Лампа	Кратко	Включва и изключва осветителната система на максимална интензивност.				Включен или изключен
	Дълго	Увеличава или намалява интензивността на осветлението.				Включен или изключен

Общи препоръки

- Задействайте аспиратора на минимална скорост, когато започва готвенето и го активирайте за няколко минути след завършване на готвенето.
- Увеличавайте скоростта само при наличие на големи количества дим и пара и използвайте интензивната скорост/-и само при изключителни ситуации.
- Заменете филтъра или филтрите с въглен, когато е необходимо, за да се поддържа една добра ефективност на отстраняване на миризми.
- Почистете филтъра или филтрите за мазнини, когато е необходимо, за да се поддържа добра ефективност на абсорбиране на мазнините.
- Използвайте максималния диаметър на канализиране, посочен в това ръководство за да се оптимизира ефективността и за да се сведе до минимум шума.

Поддръжка и почистване

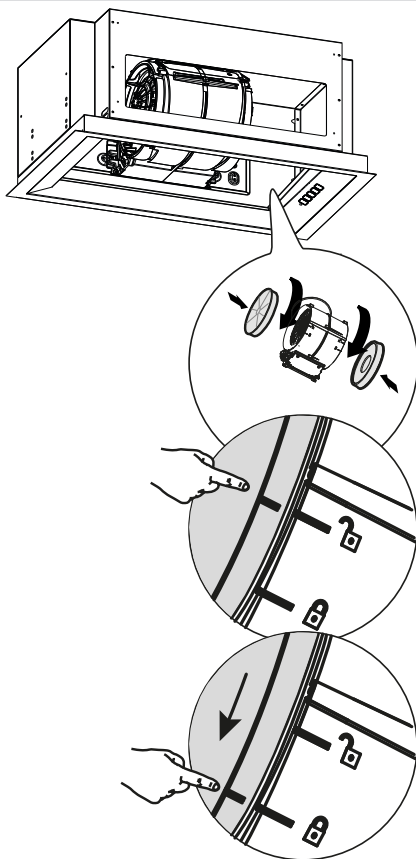


Изключете или изключете кабелите на уреда от мрежата на захранване, преди каквато и да е операция по поддръжка.

ВАЖНО: Почистете аспиратора, като използвате влажна кърпа и течен неутрален препарат.

Дълготраен филтър с въглен (зелен)

Филтърът срещу миризми може да се мие и регенерира на всеки 3-4 месеца (или по-често, ако аспираторът се използва интензивно), най-много до 8 цикъла на регенериране (в случай на особено интензивно използване е препоръчително да не надвишавате 5 цикъла).



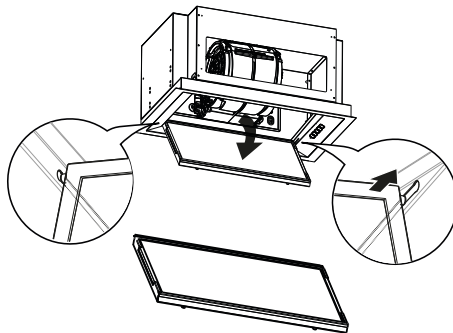
Процедура за регенериране

- Измийте в съдомиялната машина при макс. температура 70° или измийте на ръка с гореща вода, без да използвате абразивни гъби (не използвайте почистващи препарати!).
- Изсушете във фурната при температура макс. 70° за 2 часа (препоръчително е да прочетете внимателно ръководството за потребителя и инструкциите за монтаж на вашата фурна).

Филтър за мазнини

Продължавайте да почиствате или сменяте филтрите на посочените интервали от време, за да се поддържа аспираторът в добър статус на функциониране и за да се избегне потенциален риск от пожар поради прекомерно натрупване на мазнина. Филтрите за мазнини трябва да бъдат

почиствани на всеки 2 месеца функциониране или по-често, в случай на много интензивна употреба и могат да се мият в миялна машина.



Заменете лампите

За замяна се свържете с Оторизиран Център за Техническо Обслужване.

Какво да се направи, ако...

При наличие на повреда, опитайте се първо да намерите решение сами. Ако не успеете да отстраните проблема сами, обърнете се към оторизиран център за техническо обслужване.

неспазване на инструкциите за монтаж, може да е необходимо да се заплати посещението на техник от Оторизиран център за Техническо обслужване, също и по време на периода на валидност на гаранцията.

i В случай на неправилна употреба на уреда или на инсталиране, извършено при

ПРОБЛЕМ	ВЪЗМОЖНА ПРИЧИНА	РЕШЕНИЕ
Уредът не е стабилен.	Уредът не е инсталиран правилно.	Следвайте инструкциите за инсталиране, доставени с уреда.
Уредът не е нивелиран.	Уредът не е инсталиран правилно.	Следвайте инструкциите за инсталиране, доставени с уреда.
Характеристиките за улавяне на мазнини не са задоволителни.	Наличие на масло и грес върху металните филтри или върху филтрите с въглен.	Спазвайте честотата за почистване на филтрите, според описаното в ръководството за употреба.
Уредът не функционира.	Уредът не е свързан правилно.	Проверете дали кабелът на мрежата е свързан към групата и дали щепселът е свързан към контакта.
Лампата не функционира.	Индикаторът LED е счупен.	За замяна се свържете с Оторизиран Център за Техническо Обслужване.
Аспираторът е по-шумен в сравнение с очакванията на клиента.	Диаметърът на отвора за обезвздушаване в стената е прекалено малък и води до загуба на налягане и увеличаване на скоростта на мотора.	Следвайте инструкциите за инсталиране, доставени с уреда.
	Продуктът е инсталиран в режим циркулация.	Продуктът в режим циркулация (и с модулиран филтър с въглен) е по-шумен от продукт в режим аспирация.
	Каналът за вентилация е с повече от един завой.	Ако системата за евакуация на отработените газове на сградата е с повече завой или покрива дълга дистанция, продуктът може да бъде шумен.

Преди да се свържете с Оторизиран Център за Техническо обслужване:

Включете отново уреда за да видите дали проблемът е отстранен. В противен случай, изключете го и повторете операцията след един час. Ако уредът все още не функционира правилно след

извършването на проверките, изброени в ръководството за отстраняване на проблеми и след повторното включване на уреда, свържете се с Оторизиран Център за Техническо обслужване и съобщете:

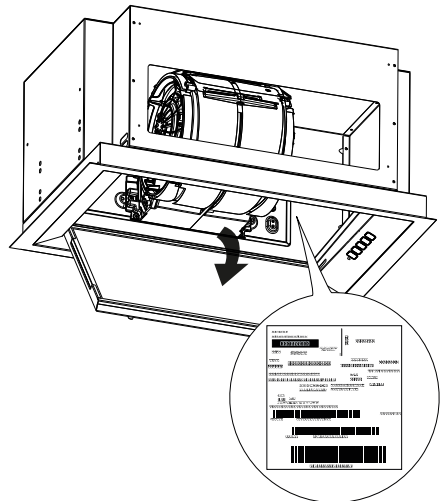
- тип повреда;
- модел;
- типа и серийния номер на уреда (посочен на табелката).

Технически данни

	Единица	Стойност
Вид уред		Вграден аспиратор

Размери	Ширина	mm	599
	Дълбочина	mm	358
	Мин./макс. височина	mm	290
Максимален дебит на въздух* - Освобождаване		m ³ /h	450
Максимално ниво на шум - Освобождаване		dBA	55
Максимален дебит на въздух* - Циркулация		m ³ /h	250
Макс. ниво на шум* - Циркулация		dBA	66
Обща мощност		W	144
Информация за лампата	Тип		Лента LED
	Номер и мощност		3,8 W
	Свързване		N/D
Минимална височина на инсталиране - плот за готвене на газ		mm	650
Минимална височина на инсталиране - електрически плот за готвене		mm	500
Нето тегло		Kg	8
* Максимална скорост (без интензивна настройка)			

Уредът е проектиран, произведен и предлаган на пазара в съответствие с изискванията на директивите на ЕЕС **CE**.
 Техническите данни са представени на табелката, поставена във вътрешността на уреда.



Енергийна Ефективност

Информация за продукта в съответствие с регламент UE n° 66/2014	Единица	Стойност
Име на доставчика	IKEA	
Идентификатор на модел	MÅNGSBO 906.091.16 106.176.10 906.176.11	
Ефективност на Годишно Потребление	kWh/a	26,9
Коефициент на нарастване във времето		0,5
Ефективност на динамиката на флуида		40,5
Индекс на енергийна ефективност		29,9
Измерен Въздушен поток в точката на най-висока ефективност	m ³ /h	410
Измерено въздушно налягане в точката на най-висока ефективност	Pa	469
Максимален дебит на въздуха	m ³ /h	450
Измерена електрическа мощност в точката на най-висока ефективност	W	132
Номинална мощност на осветителната система	W	3,8
Средно осветление на осветителната система на плота за готвене	Lux	275
Разход на електрически ток, измерен в режим на готовност	W	0,49
Измерена консумация на ток в режим off	W	0,0
Ниво на шума на максимална скорост (без интензивна настройка)	dB(A)	66

Референтни стандарти:

EN/IEC 61591
EN/IEC 60704-1
EN/IEC 60704-2-13
EN/IEC 60704-3
EN 50564


Пестене на енергия

Уредът включва характеристики, които помагат за пестенето на електроенергия по време на готвене всеки ден.

Екологични Аспекти

Изхвърляне на домакинските уреди




Символът  върху продукта или неговата опаковка показва, че този продукт не трябва да се изхвърля заедно с битовите отпадъци. Продуктът трябва да се предаде в специализиран център за рециклиране на електрическа и електронна апаратура. Като се погрижите за правилното изхвърляне на този продукт, вие ще помогнете за предотвратяването на възможни негативни последици за околната среда и за здравето, които могат да настъпят след неправилно изхвърляне. За по-подробна информация относно рециклирането на този продукт се

обърнете към местната градска управа, фирмата за събиране на домакински отпадъци или магазина, от който сте закупили уреда.

Уредът отговаря на изискванията на директива 2012/19/ЕС за намаляване на използването на опасни вещества в електрическото и електронното оборудване и изхвърлянето на отпадъци.

Изхвърляне на опаковъчните материали

Материалите със символа  могат да се рециклират. Изхвърлете опаковъчните материали в контейнерите за разделно събиране на отпадъци.

Гаранция ИКЕА

За какъв срок е валидна гаранцията от ИКЕА?

Тази гаранция е валидна за срок от пет (5) години от първоначалната дата на закупуване на уреда от ИКЕА. Оригиналната касова бележка се изисква като доказателство за покупката. Ако в рамките на гаранционния срок е извършено сервизно обслужване, това не удължава гаранционния срок на уреда.

Кой предоставя техническо обслужване?

Доставчикът на сервизно обслужване на ИКЕА извършва обслужване посредством свои собствени сервизи или мрежа от упълномощени сервизни партньори.

Какво покрива тази гаранция?

Гаранцията покрива дефекти на уреда, които са предизвикани от дефектна конструкция или дефекти в материалите, настъпили след датата на покупка от ИКЕА. Тази гаранция важи само при употреба в домашна среда. Изключенията са посочени под заглавие "Какво не се

покрива от тази гаранция?". По време на срока на валидност на гаранцията, разходите за ремонт (резервни части, труд и пътуване на техническия персонал) ще се поемат от отдела по поддръжка, при условие че достъпът до уреда за намеса за ремонтване не води до никакви особени разходи. При тези условия се прилагат Директивите на ЕС (№ 99/44/ЕО) и приложимите местни регламенти и разпоредби. Сменените части стават собственост на ИКЕА.

Какво ще направи ИКЕА, за да отстрани проблема?

Доставчикът на техническо обслужване, назначен от ИКЕА, ще огледа продукта и ще реши по свое усмотрение, дали попада под гаранция. Ако това е така, доставчикът на техническото обслужване на ИКЕА или неговият упълномощен партньор за обслужване, чрез своите центрове за обслужване, по свое усмотрение ще поправи дефектния продукт или ще го замени с продукт на същата или равна на него стойност.

Какво не се покрива от тази гаранция?

- Нормално износване.
- Повреди, причинени умишлено или поради небрежност, повреди, причинени от неспазване на инструкциите за експлоатация, неправилно инсталиране или свързване към неправилно напрежение, повреда, причинена от химични или електрохимични реакции, ръжда, корозия или повреди, причинени от вода, включително, но не само, щети, причинени от наличието на прекалено количество варовик във водопроводите, и щети, причинени от атмосферни и природни явления.
- Части, подлежащи на износване, например батерии и крушки.
- Декоративни и не функционални части, които не се отразяват на нормалната употреба на уреда, включително драскотини и промени на цвета.
- Случайни повреди, причинени от чужди вещества или тела, и почистване или освобождаване на филтри, изпускателни уредби или чекмеджета за препарат.
- Повреда на следните части: стъклокерамика, аксесоари, кошници за съдове и прибори, тръби за захранване и разтоварване, уплътнения, крушки и съответните покрития, схеми, дръжки, облицовки и части от облицовки, с изключение на случаите, в които може да се докаже, че тези повреди се дължат на производствени дефекти.
- Случаи, в които не са установени дефекти при посещението на техник.
- Ремонти, които не са извършени от посочените от доставчици на отдел техническо обслужване на IKEA и/или упълномощен партньор за обслужване или ремонти, при които са използвани неоригинални части.
- Ремонти, в следствие на неправилно инсталиране или които са извършени не в съответствие с характеристиките.
- Използване на уреда в небитова среда, например за професионална употреба.
- Щети, дължащи се на транспорта. Ако клиентът сам транспортира продукта до

дома си или до друг адрес, IKEA не носи отговорност за повреди, които може да възникнат при транспортирането. Ако обаче IKEA доставя продукта до адреса на клиента, тази гаранция покрива повредите, възникнали по време на доставката.

- Първоначални разходи за инсталиране на уреда IKEA. Въпреки това, ако доставчик на услуги, назначен от IKEA или негов упълномощен партньор за техническо обслужване, извърши ремонт или подмяна на оборудване в гаранция, доставчикът или упълномощеният партньор за техническо обслужване, също така организира повторното инсталиране на ремонтираното оборудване или инсталирането на резервното оборудване, когато е необходимо.

Тези ограничения не се прилагат за дейности, извършени правилно от квалифициран персонал и с използване на оригинални части с цел уредът да се пригоди към стандартите за безопасност на друга държава от ЕС.

Приложимост на националните закони

Гаранцията от IKEA ви дава определени законови права, в допълнение към правата, предвидени по закон и променливи в зависимост от държавите. Въпреки това, тези условия по никакъв начин не ограничават правата на потребителя, както е описано в местното законодателство.

Област на валидност

За уреди, закупени в една страна от ЕС и пренесени в друга страна от ЕС, сервисното обслужване се осигурява съобразно нормалните гаранционни условия в новата страна. Задължението за предоставяне на услугата, съгласно гаранционните условия, съществува само, ако уредът отговаря и е монтиран в съответствие с:

- техническите спецификации на държавата, в която се иска прилагането на гаранцията;

- информация за безопасност, съдържаща се в ръководството за потребителя.

Отделът за техническо обслужване на клиенти, предназначен за електроуредите на IKEA:

Моля, не се колебайте да се свържете с Отделът за техническо обслужване на клиенти IKEA за:

1. да поискате съдействие при прилагане на гаранцията;
 2. да поискате разяснения относно инсталирането на електроуредите IKEA в специфичните кухненски мебели на IKEA. Сервизът не може да даде разяснения относно:
 - монтаж на кухните на цели кухни IKEA;
 - електрически връзки (ако уредът е доставен без кабели и щепсели), хидравлични връзки и свързвания към инсталацията на газ, които трябва да се извършат от оторизиран техник за обслужване.
 3. да се поиска разяснение относно съдържанието на ръководството за потребителя и техническите характеристики на уреда IKEA.
- За да сме сигурни, че Ви предоставяме най-доброто обслужване, моля, прочетете внимателно Ръководството с Инструкциите за Монтаж и/или раздела Ръководство за потребителя на тази брошура, преди да се свържете с нас.

Как да се свържете с нас, ако се нуждаете от нашето обслужване



Моля, направете справка с последната страница на това ръководство за пълния списък на IKEA на контакти и съответните национални телефонни номера.

Важно! За да предоставим по-бързо обслужване, препоръчваме да използвате специалните телефонни номера, представени в края на това ръководство. За да поискате помощ, винаги направете справка с конкретните кодове на устройството, които намирате в това ръководство. Преди да се свържете с нас, уверете се, че разполагате с номера на артикул IKEA (8-цифрен код) за уреда, за който се нуждаете от нашето обслужване.

Важно! ЗАПАЗЕТЕ КВИТАНЦИЯТА!

Тя е вашето доказателство за покупка и е необходима, за да бъде в сила гаранцията. На касовата бележка са посочени също така името и кода (8-цифрен код) на всеки закупен електроуред IKEA.

Нуждаете се от още помощ?

За всякакви допълнителни въпроси, които не са свързани с Отдел Клиенти за техническо обслужване на Вашия уред. Моля, свържете се по телефона с най-близкия център на IKEA. Препоръчваме внимателно да прочетете документацията на уреда, преди да се обърнете към нас.

Cuprins

Informații privind siguranța	358	Ce să faceți dacă...	365
Informații generale	361	Date tehnice	365
Descrierea produsului	362	Eficiență energetică	367
Panou de comandă	362	Aspecte de mediu	368
Recomandări generale	363	Garanție IKEA	368
Curățare și întreținere	363		

Informații privind siguranța

i Pentru siguranța dumneavoastră și pentru corecta funcționare a aparatului, vă rugăm să citiți cu atenție prezentul manual, înainte de a efectua operațiunile de instalare și de punere în funcțiune. Păstrați întotdeauna acest manual de instrucțiuni împreună cu aparatul, chiar și în cazul vânzării sau transmiterii acestuia către terți. Este important ca utilizatorii să cunoască toate caracteristicile de funcționare și de siguranță ale aparatului.

! Conectarea cablurilor trebuie să fie efectuată de un tehnician calificat.

- Producătorul va fi exonerat de orice răspundere pentru eventualele daune cauzate de o instalare sau utilizare incorectă.
- Distanța minimă de siguranță dintre plită și hotă este de 500 mm pentru hotele electrice și de 650 mm pentru hotele pe gaz.
- Dacă în instrucțiunile de instalare a plitei pe gaz se specifică o distanță mai mare decât cea indicată mai sus, atunci aceasta trebuie luată în considerare.
- Verificați dacă tensiunea de la rețea corespunde cu cea indicată pe plăcuța cu date aplicată în interiorul hotei.

- Dispozitivele de decuplare trebuie să fie montate pe instalația fixă, în conformitate cu legislația în materie de sisteme de cablare.
- Pentru aparatele din clasa I, verificați ca rețeaua de alimentare din incinta locuinței să fie prevăzută cu o legătură de împământare adecvată.
- Conectați hota la țeava de evacuare prin folosirea unui tub cu un diametru minim de 150 mm. Traseul gazelor arse trebuie să fie cât mai scurt posibil.
- Trebuie respectate toate reglementările referitoare la evacuarea aerului.
- Nu conectați hota la conducte de fum care transportă fumul de ardere (de exemplu, de la boilere, șeminee etc.).
- Dacă hota este utilizată în combinație cu aparate neelectrice (de exemplu, aparate cu gaz), trebuie să se asigure un grad suficient de ventilație în încăperea pentru a preveni returul gazelor de evacuare. Atunci când hota de bucătărie este utilizată în combinație cu aparate care nu sunt alimentate cu energie electrică, presiunea negativă din încăperea nu trebuie să depășească 4 Pa pentru a preveni reaspirarea fumului în cameră de către hotă.
- Aerul nu trebuie evacuat prin conducta folosită pentru evacuarea fumului de la aparatele de ardere alimentate cu gaz sau alți combustibili.
- În cazul în care cablul de alimentare este deteriorat, acesta trebuie să fie înlocuit de producător sau de un tehnician de la Serviciul de Asistență.
- Conectați ștecherul la o priză conformă normelor în vigoare, amplasată într-un loc accesibil.
- În ceea ce privește măsurile tehnice și de siguranță ce trebuie adoptate pentru evacuarea gazelor arse, este important să se respecte cu scrupulozitate reglementările stabilite de către au-

toritățile locale.

⚠️ AVERTISMENT: înainte de a instala hota, îndepărtați foliile de protecție.

- Utilizați numai șuruburi și piese mici potrivite pentru hotă.

⚠️ AVERTIZARE: Lipsa instalării șuruburilor sau a dispozitivelor de fixare în conformitate cu aceste instrucțiuni poate cauza riscuri de șoc electric.

- Conectați hota la sursa de energie electrică folosind un comutator bipolar cu un spațiu de contact de cel puțin 3 mm.
- Nu vă uitați direct prin instrumente optice (binoclu, lupă...).
- Nu flambați sub hotă: acest lucru ar putea cauza un incendiu.
- Acest aparat poate fi folosit de copii cu vârsta de cel puțin 8 ani și de către persoane cu capacități fizice, senzoriale și mentale reduse sau lipsite de experiență și cunoștințe, cu condiția să fie supravegheate atent și instruite în privința modului de utilizare în siguranță a aparatului și în privința pericolelor pe care acesta le prezintă. Copiii trebuie supravegheați pentru a nu se juca cu aparatul. Curățarea și întreținerea nu trebuie să fie efectuate de copii, dacă aceștia nu sunt supravegheați.
- Copiii trebuie supravegheați pentru a nu se juca cu aparatul.
- Aparatul nu trebuie folosit de persoane (inclusiv copii) cu capacități fizice, senzoriale și mentale reduse sau lipsite de experiență și cunoștințe, cu excepția cazului în care sunt supravegheate și instruite în legătură cu folosirea aparatului.

⚠️ Părțile accesibile pot deveni foarte fierbinți la utilizarea aparatelor de gătit

- Curățați și/sau înlocuiți filtrele după perioada de timp specificată (pericol de incendiu).
- În încăperea trebuie să existe o ventilație adecvată atunci când hota este utilizată concomitent cu aparate care folosesc gaz sau alți combustibili (nu se aplică aparatelor care evacuează

doar aer în încăpere).

- Hotele și alte extractoare de fum de gătit pot compromite funcționarea în siguranță a aparatelor care ard gaze sau alți combustibili (inclusiv cele situate în alte medii), din cauza fluxului de retur al gazelor de ardere. Aceste gaze pot provoca intoxicații cu monoxid de carbon. După instalarea unei hote de bucătărie sau a oricărui alt extractor de fum de gătit, asigurați-vă că aparatele de gaz sunt testate de o persoană competentă pentru a vă asigura că nu se produce un flux de retur al gazelor de ardere.

Informații generale

Utilizare

- Închideți sau deconectați aparatul de la rețeaua de alimentare înaintea oricărei operațiuni de curățare sau întreținere.
- Hota nu trebuie folosită ca suprafață de sprijin.
- Hota a fost concepută exclusiv pentru eliminarea mirosurilor rezultate din gătit în mediul casnic.
- Nu utilizați niciodată hota pentru alte scopuri decât cele pentru care a fost realizată.
- Nu lăsați niciodată să se formeze flăcări mari sub hota de aspirare atunci când aceasta se află în funcțiune.
- Reglați intensitatea flăcării astfel încât să fie îndreptată exclusiv spre fundul recipientului de gătit, asigurându-vă că nu învâluie părțile laterale.
- Friteuzele trebuie să fie constant monitorizate în timpul folosirii: uleiul supraîncălzit poate lua foc.

Mod de instalare

Hota a fost concepută pentru instalare și utilizare în „versiunea cu aspirație” sau în „versiunea cu recirculare a aerului”.



Versiune cu aspirație (a se vedea simbolul din instrucțiunile de instalare)

Aburul de gătit este aspirat și transportat în afara încăperii printr-un tub de evacuare (nefurnizat) instalat la ieșirea aburului hotei. Asigurați-vă că tubul de evacuare este instalat corect la orificiul de evacuare a aerului, utilizând un sistem de conectare adecvat.



Versiune cu recirculare (a se vedea simbolul din instrucțiunile de instalare)

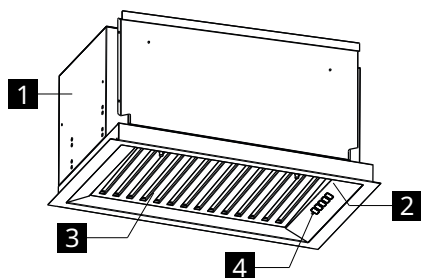
Aerul este filtrat printr-unul sau mai multe filtre și apoi transportat înapoi în încăpere.

Important: Asigurați-vă că există o circulație adecvată a aerului în jurul hotei.

Important: Dacă hota nu este furnizată cu filtre cu cărbune, acestea trebuie comandate și montate înainte de a utiliza aparatul. Filtrele sunt disponibile în comerț.


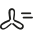



Hota trebuie instalată departe de zone deosebit de murdare, ferestre, uși și surse de căldură. Accesoriile de fixare pe perete nu sunt incluse deoarece variază în funcție de materialul peretelui. Utilizați sisteme de fixare potrivite pereților casei dumneavoastră și pentru greutatea aparatului. Pentru mai multe informații, vă rugăm să contactați un comerciant specializat. Păstrați aceste instrucțiuni pentru consultări viitoare.

Descrierea produsului



- 1 Corp hotă
- 2 Sistem de iluminat
- 3 Filtru de reținere a grăsimilor
- 4 Panou de control

Panou de comandă

						
		A	B	C	D	E
Tastă	Apăsare tastă	Funcție				Led
A Viteză	Apăsare scurtă	Pornește/oprește motorul la viteza întâi.				Pornit/Oprit
B Viteză	Apăsare scurtă	Pornește motorul la viteza doi. Tasta A trebuie selectată.				A + B sunt pornite
C Viteză	Apăsare scurtă	Pornește motorul la viteza trei. Tasta A trebuie selectată.				A + C sunt pornite
D Viteză	Apăsare scurtă	Pornește motorul la viteza Intensivă. Această viteză este temporizată la 6 minute. După scurgerea timpului setat, sistemul revine automat la viteza reglată anterior. Dacă este activată cu motorul oprit, revine în modul OFF după expirarea timpului setat. Pentru a o dezactiva, apăsați butonul A, B sau C. Tasta A trebuie să fie selectată.				A Aprins/ D Intermitent
E Lumină	Apăsare scurtă	Aprinde și stinge sistemul de iluminat la intensitate maximă.				Pornit/Oprit
	Lung	Mărește sau reduce intensitatea luminii.				Pornit/Oprit

Recomandări generale

- Dați hota la viteză minimă când începeți să gătiți și lăsați-o să funcționeze câteva minute după terminarea gătitului.
- Măriți viteza numai în prezența unor cantități mari de fum și aburi și utilizați viteza intensivă doar în situații extreme.
- Înlocuiți filtrul sau filtrele cu cărbune atunci când este necesar pentru a menține o eficiență bună de atenuare a mirosurilor.
- Curățați filtrul sau filtrele anti-grăsimi atunci când este necesar pentru a menține o eficiență bună de absorbție a grăsimilor.
- Utilizați diametrul maxim al tubului indicat în acest manual pentru a optimiza eficiența și a minimiza zgomotul.

Curățare și întreținere

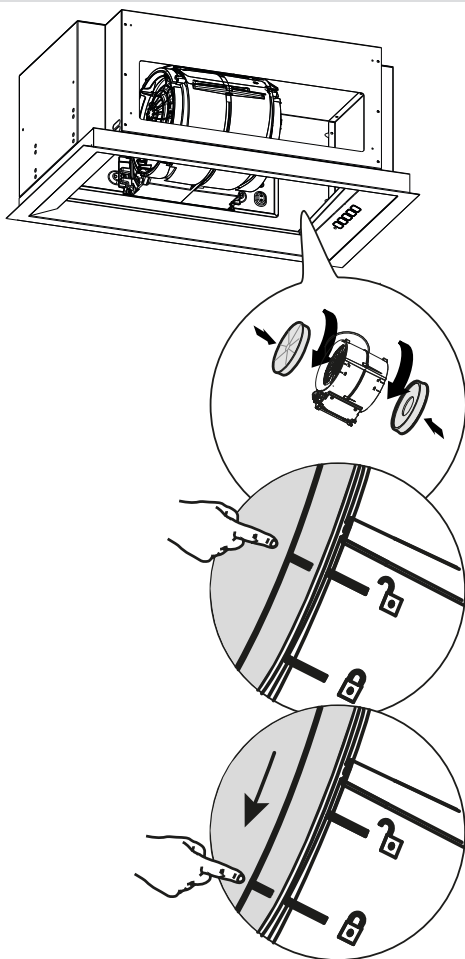


Opriiți sau deconectați aparatul de la sursa de alimentare înainte de orice operațiune de întreținere.

IMPORTANT: Curățați hota cu o lavetă umezită și cu un detergent lichid neutru.

Filtru cu carbon de lungă durată (Verde)

Filtrul anti-mirosuri poate fi spălat și refolosit la interval de 3-4 luni (sau mai frecvent, dacă hota este supusă unei utilizări intensive), până la maximum 8 cicluri de re folosire (în cazul unei utilizări deosebit de intensive, este recomandat să nu se depășească 5 cicluri).



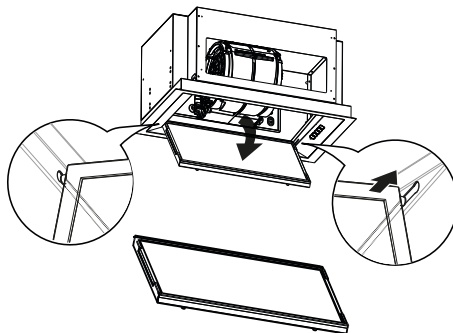
Procedură de regenerare

- Spălați în mașina de spălat vase la o temperatură de MAX. 70° sau spălați manual în apă caldă fără a folosi bureți abrazivi (nu folosiți detergenți!).
- Uscați în cuptor la o temperatură MAX. de 70° timp de 2 ore (este recomandat să citiți cu atenție manualul de utilizare și instrucțiunile de montaj pentru cuptor).

Filtre anti-grăsimi

Continuați să curățați sau să schimbați filtrele la intervalele de timp indicate, pentru a menține hota în bună stare de funcționare și pentru a evita un posibil risc de incendiu, ca urmare a unor acumulări excesive de grăsime. Filtrele de reținere a grăsimilor trebuie curățate după fiecare 2 luni de funcționare, sau mai des, în cazul unei

utilizări foarte intense și pot fi spălate în mașina de spălat vase.

**Înlocuirea becurilor**

Pentru înlocuire, contactați un centru de asistență autorizat.

Ce să faceți dacă...

Dacă apare o defecțiune, mai întâi încercați să găsiți singur o soluție de rezolvare. Dacă nu puteți rezolva singur problema, contactați un centru de asistență autorizat.

i În cazul utilizării necorespunzătoare a aparatului sau a unei instalări efectuate fără respectarea instrucțiunilor de montaj, poate fi necesar să plătiți vizita tehnicianului de la Centrul de Asistență Autorizat, chiar și în perioada de valabilitate a garanției.

PROBLEMĂ	CAUZĂ POSIBILĂ	SOLUȚIE
Aparatul nu este stabil.	Aparatul nu a fost instalat corect.	Urmați instrucțiunile de instalare furnizate împreună cu aparatul.
Aparatul nu este așezat pe nivel.	Aparatul nu a fost instalat corect.	Urmați instrucțiunile de instalare furnizate împreună cu aparatul.
Performanța în ceea ce privește captarea grăsimilor nu este satisfăcătoare.	Prezența uleiului și a grăsimilor pe filtrele metalice sau pe filtrele de carbon.	Respectați frecvența de curățare a filtrelor astfel cum este descrisă în manualul de utilizare.
Aparatul nu funcționează.	Aparatul nu a fost conectat corect.	Verificați cablul de alimentare să fie conectat la unitatea motorului sau ștecărul să fie conectat la priză.
Lumina nu funcționează.	LED-ul este deteriorat.	Pentru înlocuire, contactați un centru de asistență autorizat.
Hota este mai zgomotoasă decât așteptările clientului.	Diametrul orificiului de ventilație din perete este prea mic și determină scăderea presiunii și creșterea turației motorului.	Urmați instrucțiunile de instalare furnizate împreună cu aparatul.
	Produsul este instalat în regim de recirculare.	Produsul în modul de recirculare (și cu filtrul de carbon montat) este mai zgomotos decât un produs în modul de aspirație.
	Conducta de ventilație are mai multe coturi.	Dacă sistemul de evacuare a fumului din clădire are mai multe coturi sau acoperă o distanță mare, produsul poate fi mai zgomotos.

Înainte de a contacta Centrul de Asistență Autorizat:

Reporniți alimentarea pentru a vedea dacă problema a dispărut. În caz contrar, opriți-o din nou și repetați operațiunea după o oră. Dacă aparatul încă nu funcționează corect după efectuarea verificărilor enumerate în


ghidul de depanare și repornire a aparatului, contactați Centrul de Asistență Autorizat, explicând problema în mod clar și specificând:

- tipul de defecțiune;
- modelul;
- tipul și numărul de serie al aparatului (indicate pe plăcuța cu date tehnice).

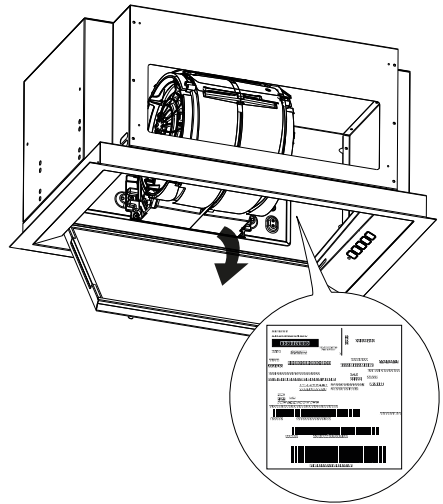
Date tehnice

		Unitate	Valoare
Tip de produs			Hotă încorporată
Dimensiuni	Lățime	mm	599
	Adâncime	mm	358
	Înălțime min./max	mm	290

Debit de aer max* - Evacuare		m3/h	450
Nivel max de zgomot - Evacuare		dBA	55
Debit de aer max* - Recirculare		m3/h	250
Nivel max de zgomot* - Recirculare		dBA	66
Putere totală		W	144
Informații cu privire la lampă	Tip	Bară LED	
	Număr și putere	3,8 W	
	Racord	N/D	
Înălțimea minimă de instalare - plită pe gaz		mm	650
Înălțimea minimă de instalare - plită electrică		mm	500
Greutate netă		Kg	8
* Viteza maximă (fără setare intensivă)			

Acest aparat a fost proiectat, fabricat și comercializat în conformitate cu Directivele CEE .

Datele tehnice sunt afișate pe plăcuța aplicată în interiorul aparatului.



Eficiență energetică

Informații privind produsul, conform Regulamentului UE nr. 66/2014	Unitate	Valoare
Denumirea furnizorului	IKEA	
Date de identificare a modelului	MÅNGSBO 906.091.16 106.176.10 906.176.11	
Consum de energie anual	kWh/a	26,9
Coefficient de creștere în timp		0,5
Eficiență fluido-dinamică		40,5
Indice de eficiență energetică		29,9
Debit de aer măsurat în punctul de eficiență maximă	m ³ /h	410
Presiune aer măsurată în punctul de eficiență maximă	Pa	469
Debit de aer maxim	m ³ /h	450
Alimentare electrică măsurată în punctul de eficiență maximă	W	132
Putere nominală a sistemului de iluminat	W	3,8
Iluminare medie a sistemului de iluminat pe plită	Lux	275
Consum de curent măsurat pe modul stand-by	W	0,49
Consum de curent măsurat pe modul OFF	W	0,0
Nivel sonor la viteză maximă (fără setarea vitezei intensive)	dba	66

Norme de referință:

EN/CEI 61591
EN/CEI 60704-1
EN/CEI 60704-2-13
EN/CEI 60704-3
EN 50564

Consum redus de energie

Aparatul include funcții care ajută la economisirea energiei în timpul gătitului zilnic.

Aspecte de mediu

Eliminarea aparatelor electrocasnice



Simbolul aplicat pe produs sau pe ambalajul acestuia indică faptul că produsul nu trebuie eliminat la un loc cu deșeurile menajere normale. În vederea eliminării produsului, acesta trebuie predat unui centru specializat în reciclarea componentelor electrice și electronice. Asigurându-vă că acest produs este eliminat în mod corect, veți ajuta la prevenirea posibilelor consecințe negative asupra mediului și sănătății, consecințe ce pot să apară în cazul unei eliminări incorecte a produsului. Pentru mai multe informații privind modul de reciclare a

acestui produs, adresați-vă autorităților locale, departamentului local de eliminare și gestionare a deșeurilor, sau magazinului de unde ați achiziționat aparatul.

Aparatul a fost realizat în conformitate cu directiva 2012/19/UE privind reducerea substanțelor periculoase utilizate în echipamentele electrice și electronice și eliminarea deșeurilor.

Eliminarea ambalajelor

Materialele cu simbolul sunt reciclabile. Eliminați ambalajele în containerele de colectare adecvate, pentru reciclarea acestora.

Garanție IKEA

Ce valabilitate are garanția IKEA?

Această garanție este valabilă timp de cinci (5) ani de la data inițială de achiziționare a aparatului de la IKEA. Bonul de casă original este indispensabil ca dovadă a achiziției. O reparație efectuată în garanție nu prelungeste perioada de garanție acordată aparatului.

Cine asigură garanția?

Asistența oferită clienților este asigurată de furnizorul de service desemnat de IKEA prin propria organizație sau prin propria rețea de parteneri de asistență autorizați.

Ce acoperă garanția?

Garanția acoperă eventualele defecte legate de materiale și de construcția aparatului și este valabilă începând de la data achiziției aparatului de la un punct de vânzare IKEA. Garanția este valabilă doar pentru aparatele electrocasnice destinate uzului casnic. Excepțiile sunt descrise în secțiunea „Ce nu acoperă garanția?”. Pe perioada de valabilitate a garanției, costurile de reparație (piese de schimb, manoperă și deplasări ale personalului tehnic) vor fi suportate de

departamentul de asistență, cu condiția ca accesul la aparat, pentru intervenția de reparație, să nu implice cheltuieli deosebite. Aceste condiții sunt conforme cu prevederile directivelor UE (nr. 99/44/CE) și cu standardele și prevederile locale aplicabile. Componentele înlocuite vor intra în proprietatea IKEA.

Cum va interveni IKEA pentru a rezolva problema?

Prestatorul de servicii de asistență desemnat de IKEA va examina produsul și va hotărî, în baza propriei decizii, dacă acesta se încadrează în condițiile acoperite de garanție. Dacă da, prestatorul de servicii de asistență IKEA sau partenerul său de asistență autorizat, prin propriile centre de asistență, se va ocupa, pe baza deciziei proprii, de repararea produsului defect sau de înlocuirea acestuia cu un produs identic sau de aceeași valoare.

Ce nu acoperă garanția?

- Uzura normală.
- Daunele provocate în mod voit sau cauzate de neglijență, daunele cauzate de neres-

pectarea instrucțiunilor de funcționare, de o instalare incorectă sau de racordarea la o tensiune greșită, daunele provocate de reacții chimice sau electro-chimice, rugină, coroziune sau daunele cauzate de apă, inclusiv - dar nu exhaustiv - daunele cauzate de prezența unei concentrații excesive de calcar în conductele de apă și daunele cauzate de evenimente atmosferice și naturale.

- Componentele supuse uzurii, de exemplu, baterii și lămpi.
- Componentele decorative și fără rol funcțional, ce nu afectează normala utilizare a aparatului electrocasnic, inclusiv zgârieturile și modificările culorii.
- Daunele accidentale provocate de substanțe sau corpuri străine și de curățarea sau desfundarea filtrelor, sistemelor de evacuare sau sertarelor de detergent.
- Daunele provocate unor componente cum ar fi sticlă ceramică, accesorii, coșuri de vase și tacâmuri, conducte de alimentare și evacuare, garnituri, lămpi și capace pentru lămpi, paravane, butoane, carcase și părți ale carcasei, cu excepția cazului în care se poate dovedi că aceste daune au fost cauzate de defecte de fabricație.
- Cazurile în care nu s-au depistat defecte în timpul vizitei unui tehnician.
- Reparații neefectuate de prestatorul de servicii de asistență desemnat de IKEA sau de un partener de asistență autorizat, sau reparații în care s-au folosit piese neoriginale.
- Reparații cauzate de instalarea incorectă sau neconformă cu specificațiile.
- Utilizarea aparatului electrocasnic în alt mediu decât cel casnic, de exemplu pentru uz profesional.
- Daunele cauzate de transport. În cazul transportului efectuat de client la propria locuință sau la o altă adresă, IKEA nu poate fi trasă la răspundere pentru eventualele daune survenite în timpul transportului. Totuși, dacă transportul la adresa clientului este efectuat de IKEA, eventualele daune survenite în timpul transportului vor face obiectul acestei garanții.
- Cost de instalare inițială a aparatului IKEA.

Cu toate acestea, dacă un prestator de servicii de asistență desemnat de IKEA sau un partener de asistență autorizat efectuează o reparație sau o înlocuire a echipamentului pe durata garanției, prestatorul sau partenerul de asistență autorizat va trebui să se ocupe și de reinstalarea echipamentului reparat, sau de instalarea echipamentului înlocuitor, după caz.

Aceste limitări nu se aplică lucrărilor efectuate corect de personal calificat și cu folosirea de piese originale, pentru a adapta aparatul la normele de siguranță dintr-un alt stat membru UE.

Aplicabilitatea legilor naționale

Garanția IKEA oferă clientului drepturi legale specifice, pe lângă drepturile prevăzute prin lege, care diferă în funcție de țară. Cu toate acestea, aceste condiții nu limitează în niciun fel drepturile consumatorului, prevăzute de legislația locală.

Teritoriul de valabilitate

Pentru aparatele achiziționate într-o țară UE și transferate în altă țară UE, serviciile vor fi furnizate în baza condițiilor de garanție aplicabile în țara în care se află aparatul. Obligația de a asigura asistența conform condițiilor de garanție există numai dacă aparatul este conform și dacă este instalat conform cu:

- specificațiile tehnice din țara în care se solicită aplicarea garanției;
- informațiile privind siguranța, din cuprinsul manualului de utilizare.

Serviciu de asistență post-vânzare pentru aparatele electrocasnice IKEA:

Nu ezitați să vă adresați departamentului de asistență post-vânzare IKEA, pentru:

1. a solicita asistență, beneficiind de garanție;
2. a solicita clarificări privind instalarea aparatelor electrocasnice IKEA în corpurile de mobilier de bucătărie specifice marca IKEA. Serviciul nu va furniza asistență sau clarificări referitoare la:
 - instalarea unor bucătării complete IKEA;

- legături electrice (dacă aparatul se livrează fără cabluri și ștechere), racordări hidraulice și racordări la instalația de gaz, care trebuie să fie efectuate de un tehnician de asistență autorizat.

3. a solicita clarificări privind conținutul manualului de utilizare și privind specificațiile aparatului electrocasnic IKEA.

Pentru a garanta o asistență superioară, vă rugăm să citiți cu atenție Instrucțiunile de montaj și/sau Manualul de utilizare, înainte de a ne contacta.

Cum să luați legătura cu noi, dacă aveți nevoie să intervenim



Consultați lista completă de furnizori de asistență IKEA, cu numerele de telefon

naționale aferente, pe ultima pagină din acest manual.

Important! Pentru a garanta un serviciu mai rapid, vă rugăm să folosiți numerele de telefon enumerate la sfârșitul acestui manual. Pentru a solicita asistență, menționați întotdeauna codurile specifice ale aparatului, pe care le găsiți în prezentul manual. Înainte de a ne contacta, asigurați-vă că aveți la îndemână codul de produs IKEA (8 cifre) aferent aparatului electrocasnic pentru care solicitați asistență.

Important! PĂSTRAȚI BONUL FISCAL!

Acesta reprezintă dovada dvs. de achiziție și trebuie să îl prezentați pentru a putea beneficia de garanție. Pe bon sunt indicate și numele și codul (din 8 cifre) corespunzătoare fiecărui aparat electrocasnic IKEA achiziționat.

Aveți în continuare nevoie de ajutor?

Pentru întrebări suplimentare care nu au legătură cu serviciul de asistență post-vânzare, vă rugăm să contactați cel mai apropiat magazin IKEA sau call center-ul. Vă recomandăm să citiți cu atenție documentația aparatului înainte de a ne contacta.

Tartalom

Biztonsági információk	371	Mi a teendő, ha...	378
Általános információk	375	Műszaki adatok	379
A termék leírása	376	Energhatékonyág	381
Kezelőlap	376	Környezetvédelmi szempontok	382
Általános javaslatok	377	IKEA garancia	382
Tisztítás és karbantartás	377		

Biztonsági információk


i A saját biztonsága és a készülék megfelelő működése érdekében figyelmesen olvassa el ezt a kézikönyvet a telepítés és az üzembe helyezés előtt. Az utasítást tartsa mindig a készülékkel együtt, eladás vagy harmadik félnek történő átadás esetén is. Fontos, hogy az összes felhasználó ismerje a készülék működési és biztonsági jellemzőit.

! A vezetékek bekötését szakembernek kell elvégeznie.

- A gyártó nem vállal felelősséget a nem megfelelő telepítésből vagy használatból eredő esetleges károkért.
- A főzőlap és a páraelszívó közötti minimális biztonsági távolság elektromos főzőlapok esetében 650 mm, és gázzal működő főzőlapok esetében 500 mm.
- Ha a gázzal működő főzőfelület telepítési utasításai a fent jelzett távolságnál nagyobb távolságot határoznak meg, azt figyelembe kell venni.
- Ellenőrizze, hogy a hálózati feszültség megfelel-e a páraelszívó belső oldalán található adattáblán feltüntetett feszültségnek.
- A szakaszoló eszközöket a vezetékes rendszerekre vonatkozó

előírásoknak megfelelően kell beépíteni a rögzített rendszerbe.

- Az I. osztályú készülékek esetén ellenőrizze, hogy a háztartási hálózati tápegység rendelkezzen megfelelő földeléssel.
- Csatlakoztassa a páraelszívót a kéményhez egy legalább 150 mm átmérőjű csővel. A füst kivezetési útvonalának a lehető legrövidebbnek kell lennie.
- A levegő kiürítésére vonatkozó előírásokat be kell tartani.
- Ne csatlakoztassa a páraelszívót az égéstermék-elvezető csövekhez (pl. kazánok, kandallók csövei stb.).
- Ha a páraelszívót nem elektromos készülékekkel (pl. gázkészülékekkel) együtt használják, biztosítani kell a helyiség megfelelő szellőzését, hogy a kipufogógáz ne áramoljon vissza. Ha a páraelszívót nem elektromos készülékekkel együtt használják, a helyiségben a negatív nyomás nem haladhatja meg a 4 Pa értéket, hogy a pára ne szívódjon vissza a helyiségbe a páraelszívóból.
- A levegőt nem szabad a gázüzemű tüzelőberendezésekből vagy más tüzelőanyagokból származó füstök elvezetésére szolgáló csatornán keresztül kivezetni.
- A megsérült hálózati zsinór cseréjét kizárólag a gyártó vagy a vevőszolgálat szakembere végezheti.
- A hálózati csatlakozót csak a hatályos előírásoknak megfelelő és jól hozzáférhető konnektorba szabad bedugni.
- A füstök kivezetésére vonatkozó műszaki és biztonsági intézkedéseket illetően fontos a helyi hatóságok által megállapított előírások betartása.

 **FIGYELEM:** A páraelszívó felszerelése előtt távolítsa el a védőfóliákat.

- Csak a páraelszívónak megfelelő típusú csavarokat és alkatrészeket használjon.

⚠ FIGYELEM: Áramütés kockázatával járhat az, ha nem szereli fel a jelen utasításban foglaltak szerint a rögzítést szolgáló csavarokat vagy eszközöket.

- Csatlakoztassa a páraelszívót a hálózati áramforráshoz egy legalább 3 mm-es érintkezési hézaggal rendelkező kétpólusú kapcsolóval.
- Tilos optikai eszközökkel (látcső, nagyítóüveg) közvetlenül nézni.
- Ne flambírozzon a páraelszívó alatt, mert tűz keletkezhet.
- A készüléket 8 évnél nem fiatalabb gyermekek, illetve csökkent fizikai, érzékelési vagy szellemi képességgel rendelkező, megfelelő tapasztalatok és ismeretek nélküli személyek is használhatják szigorú felügyelet mellett, illetve ha ismerik a készülék biztonságos használati módját és a kapcsolódó veszélyeket. Ügyeljen arra, hogy ne játszhassanak gyermekek a készülékkel. A készülék tisztítását és karbantartását nem végezhetik gyermekek, amennyiben nincsenek felügyelve.
- Figyeljen a gyermekekre, hogy ne játszhassanak a készülékkel.
- A készüléket nem használhatják csökkent fizikai, érzékelő vagy szellemi képességgel rendelkező, megfelelő tapasztalatok és ismeretek nélküli személyek (gyerekeket is beleértve), hacsak nem tanítják meg vagy ellenőrzik őket a készülék használatára, illetve használatában.

⚠ A hozzáférhető részek nagyon felforrósodhatnak a főzőkészülékek használatakor

- Tisztítsa meg és/vagy cserélje ki a szűrőket a megadott idő elteltével (tűzveszély).
- Megfelelő szellőzést kell biztosítani a helyiségben, amikor a páraelszívót gázokkal vagy más üzemanyaggal működő készülékekkel egy időben használják (ez nem vonatkozik az olyan készülékekre, amelyek csak levegőt bocsátanak ki a helyiség-

be).

- A konyhai páraelszívók, úgy mint a főzési füstelszívók az égési gázok visszatérő áramlása miatt ronthatják a gázt vagy más tüzelőanyagot égető készülékek biztonságos működését (ideértve a más környezetben találhatóakat is). Ezek a gázok szén-monoxid mérgezést okozhatnak. A konyhai páraelszívók, illetve bármilyen más főzési füstelszívók telepítése után ellenőrizze, hogy a gázkészülékeket kompetens személy ellenőrizze, hogy biztosítsa, hogy nem megy végbe az égési gázok visszaáramlása.

Általános információk

Használat

- Kapcsolja ki vagy csatlakoztassa le a berendezést a tápegységről, mielőtt bármiféle tisztítási vagy karbantartási műveletet végezne.
- A páraelszívót nem szabad támasztó felületként használni.
- A páraelszívót kizárólag háztartási használatra, a főzés során keletkező szagok eltávolítására tervezték.
- Semmi esetre ne használja a páraelszívót a tervezettől eltérő célokra.
- Soha ne hagyjon magas lángot a páraelszívó alatt, amikor az üzemel.
- A láng intenzitását úgy állítsa be, hogy az csak a főzőedény alja felé irányuljon, ügyelve arra, hogy a láng ne terjedjen ki a főzőedény oldalaira.
- Az olajsütőket folyamatosan ellenőrizni kell a használat folyamán: a túlmelegített olaj meggyulladhat.

A telepítés módja

A páraelszívót „elszívó” vagy „keringtetett levegős” változatban történő beépítésre és használatra tervezték.



Elszívó változat (lásd a szimbólumot a telepítési utasításokban)

A főzésből származó gőz beszívódik és a páraelszívó gőzvezető csövön (nem tartozék) keresztül a lakáson kívülre kerül, a

páraelszívó gőzvezető nyílásához csatlakoztatva. Gondoskodjon arról, hogy az elszívótömlő megfelelő csatlakozórendszerrel megfelelően legyen felszerelve a légkivezetésnél.



Keringtetett levegős változat (lásd a szimbólumot a telepítési utasításokban)

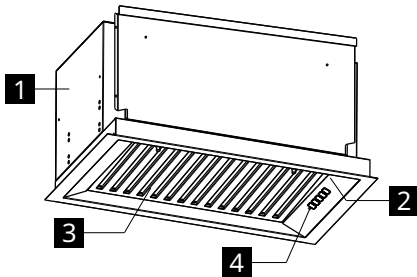
A levegőt egy vagy több szűrőn keresztül megszűrik, majd visszavezetik a helyiségbe.

Fontos: Meg kell bizonyosodni arról, hogy a páraelszívó körül a levegő keringése megfelelő legyen.

Fontos: Ha a páraelszívóhoz alapfelszereltségben nem tartoznak szénszűrők, meg kell rendelni őket és a készülék használatának megkezdése előtt be kell szerelni. A szűrők kereskedelmi forgalomban kaphatók.

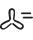



A páraelszívót különösen szennyezett területektől, ablakoktól, ajtóktól és hőforrásoktól távol kell felszerelni. A falra szereléshez szükséges tartozékok nem tartoznak a szállítmányhoz, mivel azok a fal anyagától függően változnak. Olyan rögzítő rendszereket kell használni, amelyek megfelelnek a lakóhely falainak és a készülék súlyának. Részletesebb információért forduljon a viszonteladóhoz. Őrizze meg ezeket az utasításokat a jövőbeni konzultáció érdekében.

A termék leírása



- 1** Elszívó test
- 2** Világítás
- 3** Zsírszűrő
- 4** Vezérlőpult

Kezelőlap

<div style="display: flex; justify-content: space-around; align-items: center;"> <div style="text-align: center;">  A </div> <div style="text-align: center;">  B </div> <div style="text-align: center;">  C </div> <div style="text-align: center;">  D </div> <div style="text-align: center;">  E </div> </div>			
Gomb	Gomb megnyomása	Funkció	Led
A Sebesség	Rövid	Első sebességfokozatra kapcsolja/kikapcsolja a motort.	Be vagy Ki
B Sebesség	Rövid	Bekapcsolja a motort kettes sebességen. Válassza ki a A gombot.	A + B be vannak kapcsolva
C Sebesség	Rövid	Bekapcsolja a motort hármass sebességen. Válassza ki a A gombot.	A + C be vannak kapcsolva
D Sebesség	Rövid	Intenzív sebességfokozatra kapcsolja a motort. Ez a sebesség 6 percre időzített. A beállított idő leteltével a rendszer automatikusan visszatér az előzőleg beállított sebességhez. Ha kikapcsolt motornál aktiválja, a beállított idő lejáratá után Ki helyzetbe kerül. A kikapcsoláshoz nyomja meg az A, a B vagy a C gombot. A A gombot válassza ki.	A Világító D Villogó
E Fény	Rövid	Maximális intenzitáson kapcsolja be és ki a világítási rendszert.	Be vagy Ki
	Hosszú	A világítás fényerejét növeli vagy csökkenti.	Be vagy Ki

Általános javaslatok

- A főzés megkezdésekor a páraelszívót minimális fordulatszámom működtesse, és a főzés befejezése után néhány percig tartsa bekapcsolva.
- Csak nagy mennyiségű füst és gőz jelenlétében növelje a sebességet, és az intenzív sebesség(ek)et csak szélsőséges helyzetekben használja.
- A jó szageltávolítási hatékonyság fenntartása érdekében szükség esetén cserélje ki a szénzsűrő(ke)t.
- A zsírszűrő(ke)t szükség esetén tisztítsa meg a jó zsíroladási hatékonyság fenntartása érdekében.
- A hatékonyság optimalizálása és a zaj minimálisra csökkentése érdekében használja a jelen kézikönyvben megadott maximális csatornátmérőjű vezetékeket.

Tisztítás és karbantartás

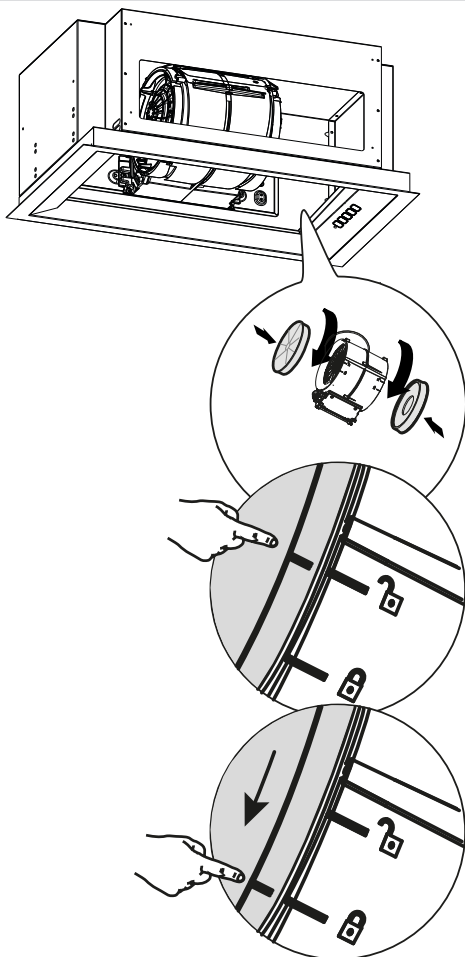


Minden karbantartási művelet előtt kapcsolja ki vagy válassza le a készüléket az elektromos hálózatról.

FONTOS: Tisztítsa meg a páraelszívót egy nedves ruhával és semleges folyékony tisztítószerrel.

Hosszú élettartamú szénzsűrő (zöld)

Az aktív szén szagvédő szűrő 3-4 havonta mosható és regenerálható (vagy gyakrabban, ha a készülék intenzív használatnak van kitéve), legfeljebb 8 regenerációs cikluson keresztül (különösen intenzív használat esetén nem javasolt az 5 ciklusnál hosszabb használat).



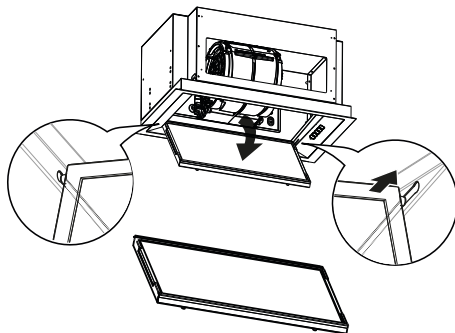
Regeneráló eljárás

- Mossa legfeljebb 70°-on, mosogatógépben, vagy mossa kézzel, meleg vízben, dörzsszivacs használata nélkül (ne használjon mosószereket!).
- Szárítsa sütőben legfeljebb 70°-os hőmérsékleten 2 órán keresztül (a sütő használati és beszerelési utasításának figyelmes elolvasása javasolt).

Zsírszűrők

Folyamatosan tisztítsa meg vagy cserélje ki a szűrőket a megadott időközönként annak érdekében, hogy a páraelszívó megfelelő állapotban legyen és elkerülje a túlzott zsírfelhalmozódás okozta tűzveszélyt. A zsír szűrőket kéthavi használat után tisztítani

kell, illetve intenzív használat esetén gyakrabban. Mosogatógépben is moshatók.



Lámpák cseréje

A cseréhez forduljon e Meghatalmazott ügyfélszolgálathoz.

Mi a teendő, ha...

Meghibásodás esetén először próbálja egyedül megoldani a problémát. Ha egyedül nem sikerül megoldást találni, forduljon egy márkaszervizhez.

i A készülék nem rendeltetésszerű használata vagy nem a telepítési útmutatónak megfelelően elvégzett telepítés esetén előfordulhat, hogy a jótállási idő alatt is fel kell keresnie a márkaszerviz technikusát.

PROBLÉMA	LEHETSÉGES OK	MEGOLDÁS
A berendezés nem stabil.	A berendezés nem lett megfelelően telepítve.	Kövesse a berendezéssel szolgáltatott telepítési utasításokat.
A berendezés nincs vízszintben.	A berendezés nem lett megfelelően telepítve.	Kövesse a berendezéssel szolgáltatott telepítési utasításokat.
A zsíreelszívó teljesítmény nem kielégítő.	Olaj vagy zsír jelenléte a fémszűrőn vagy a szén szűrőn.	Tartsa be a szűrők tisztítási gyakoriságát a használati utasítás leírása szerint.
A berendezés nem működik.	A berendezés nem lett megfelelően csatlakoztatva.	Ellenőrizze, hogy a hálózati kábel csatlakoztatva legyen a motor egységhez, vagy hogy a dugó be legyen dugva az aljzatba.
A világítás nem működik.	A LED eltört.	A cseréhez forduljon e Meghatalmazott ügyfélszolgálathoz.
Az elszívó zajosabb az ügyfél elvárásaihoz képest.	A falban lévő szellőzőnyílás túl kicsi, és nyomáscsökkenést okoz és a motor sebességének növekedését.	Kövesse a berendezéssel szolgáltatott telepítési utasításokat.
	A terméket recirkulációs módban telepítette.	A recirkulációs módban telepített termék (nem aktív szén szűrővel) zajosabb egy elszívó módban lévő termékhez képest.
	A szellőző csatorna több kanyarral rendelkezik.	Ha az épület füstelvezető rendszere többszörös kanyarral rendelkezik vagy hosszú, a termék zajosabb lehet.

Mielőtt a Márkaszervizhez fordul:


Ismét kapcsolja be a készüléket, hogy láss, megszűnt-e a hiba. Ellenkező esetben ismét kapcsolja ki és ismételje meg a műveletet egy óra elteltével. Ha a készülék a hibaelhárítási útmutatóban felsorolt ellenőrzések elvégzése és a készülék visszakapcsolása után sem

működik megfelelően, lépjen kapcsolatba a hivatalos márkaszervizzel, világosan elmagyarázva a problémát és megadva a következőket:

- a meghibásodás típusa;
- modell;
- a készülék típusa és sorozatszama (az adattáblán van feltüntetve).

Műszaki adatok

		Mértékegység	Érték
Termék típusa			Integrált páraelszívó
Méretek	Szélesség	mm	599
	Mélység	mm	358
	Min/max magasság	mm	290
Légáram max* - Kiürítés		m ³ /h	450
Max zajszint - Kiürítés		dBA	55
Légáram max* - Keringetés		m ³ /h	250
Max zajszint* - Keringetés		dBA	66
Teljes teljesítmény		W	144
A lámpára vonatkozó információk	Típus		LED sáv
	Szám és teljesítmény		3,8 W
	Csatlakozás		Nincs adat
Minimális beépítési magasság - gázüzemű főzőlap		mm	650
Minimális telepítési magasság - villany főzőlap		mm	500
Nettó súly		Kg	8
* Maximális sebesség (intenzív beállítás nélkül)			

Ezt a készüléket az EGK  irányelveinek megfelelően tervezték, gyártották és forgalmazták.

A műszaki adatok a készülék belsejében elhelyezett adattáblán találhatóak.

Energiahatékonyság

A termékkel kapcsolatos információk a 66/2014/Eu-rendelet szerint	Mértékegység	Érték
Beszállító neve	IKEA	
A modell megjelölése	MÅNGSBO 906.091.16 106.176.10 906.176.11	
Éves hatékonysági fogyasztás	kWh/a	26,9
Időtartam-növelő tényező		0,5
Hidrodinamikai hatékonyság		40,5
Energiahatékonysági mutató		29,9
Mért légáramsebesség a legjobb hatásfokú pontban	m ³ /h	410
Mért légnyomás a legjobb hatásfokú pontban	Pa	469
Maximális légáram	m ³ /h	450
Mért villamosenergia-felvétel a legjobb hatásfokú pontban	W	132
A világítórendszer névleges teljesítménye	W	3,8
A világítórendszer által nyújtott átlagos megvilágítás a főzőlapon	Lux	275
Áramfogyasztás készenléti üzemmódban mérve	W	0,49
Áramfogyasztás kikapcsolt üzemmódban mérve	W	0,0
Zajsztint maximális sebességnél (intenzív beállítás nélkül)	dB(A)	66

Vonatkozó szabványok:

EN/IEC 61591
EN/IEC 60704-1
EN/IEC 60704-2-13
EN/IEC 60704-3
EN 50564 szerint


Energiatakarékosság

A készülék olyan funkciókat tartalmaz, amelyek segítenek energiát megtakarítani a mindennapi főzés során.

Környezetvédelmi szempontok

Elektromos háztartási készülékek ártalmatlanítása




A terméken vagy a csomagoláson lévő  szimbólum azt jelzi, hogy a terméket nem szabad a normál háztartási hulladékkal együtt ártalmatlanítani. A terméket elektromos és elektronikus alkatrészek újrahasznosítására szakosodott központban kell ártalmatlanítani. Ha gondoskodik a termék megfelelő ártalmatlanításáról, hozzájárul a nem megfelelő ártalmatlanítás okozta környezetre és egészségre gyakorolt negatív hatások megelőzéséhez. Részletesebb információért

a termék újrahasznosításával kapcsolatban, forduljon a helyi hatóságokhoz, a helyi hulladékfeldolgozási szolgálathoz vagy az üzlethez, ahol a terméket vásárolta.

A készülék megfelel az elektromos és elektronikus berendezésekben használt veszélyes anyagok csökkentéséről és a hulladékok ártalmatlanításáról szóló 2012/19/ EU irányelvnek.

Csomagolóanyag ártalmatlanítása

A  szimbólummal ellátott anyagok újrahasznosíthatók. A csomagolóanyagokat az újrahasznosítás céljából megfelelő gyűjtőtartályokba dobja el.

IKEA garancia

Meddig érvényes az IKEA garancia?

Ez a garancia öt (5) évig érvényes a készülék IKEA boltban történt vásárlásának eredeti időpontjától számítva. Az eredeti blokkot – mint vásárlási elismervényt – feltétlenül meg kell őrizni. A garancia keretében végzett javítások nem hosszabbítják meg a készülék garanciális időtartamát.

Ki biztosítja a vevőszolgálatot?

A vevőszolgálatot az a szolgáltató biztosítja, akit erre az IKEA saját szervezetén vagy a hivatalos vevőszolgálati partnerek hálózatán keresztül kijelöl.

Mire terjed ki a garancia?

A garancia a készülék anyagaihoz vagy kialakításához kapcsolódó esetleges hibákra terjed ki, és attól a naptól érvényes, amelyen megtörténik a készülék vásárlása egy IKEA árusítóhelyen. A garancia csak az otthoni használatra szánt készülékekre terjed ki. A kivételek felsorolása a „Mire nem terjed ki a garancia?” címszó alatt található. A garancia érvényességi ideje alatt a javítási költségeket (pótalkatrészek, munkaerő és a technikai személyzet utazása) a vevőszolgálat viseli, feltéve, hogy a javításhoz szükséges

készülékhez való hozzáférés nem jelent különösebb kiadásokat. Ezek a feltételek megfelelnek az EU irányelveknek (99/44/EK) és az alkalmazandó helyi szabványoknak és előírásoknak. A kicserélt alkatrészek az IKEA tulajdonába kerülnek.

Mit tesz az IKEA a probléma megoldása érdekében?

Az IKEA által megbízott szolgáltató megvizsgálja a terméket, és saját belátása szerint eldönti, hogy a garancia hatálya alá tartozik-e. Ha igen, akkor az IKEA vevőszolgálat vagy meghatalmazott szervizpartnere a szervizközpontjain keresztül saját belátása szerint vagy megjavítja a hibás terméket, vagy kicseréli ugyanolyan vagy azonos értékű termékre.

Mire nem vonatkozik a garancia?

- Normál elhasználódás.
- Szándékos vagy gondatlanságból eredő károk, az üzemeltetési utasítás be nem tartása, a nem megfelelő telepítés vagy a rossz feszültségre történő csatlakoztatás, kémiai vagy elektrokémiai reakciók, rozsdás, korrózió vagy víz által okozott károk, ideértve de nem korlátozva azon károk, amelyeket a

túlzott mészke jelenléte a vízvezetékben, valamint a légköri és természeti események okoztak.

- Kopó alkatrészek, például elemek és izzók.
- Dekoratív és nem funkcionális részek, amelyek nem befolyásolják a készülék normál használatát, beleértve a karcolásokat és a szín elváltozásokat.
- Az idegen anyagok vagy testek miatt, valamint a szűrők, elvezetőrendszerek vagy mosószer-tartók tisztítása vagy eltömődésmentesítése miatt jelentkező véletlenszerű károsodások.
- A következő alkatrészek sérülése: kerámia-üveg, kiegészítők, edények és evőeszközök-sarak, adagoló- és vízvezető csövek, tömítések, lámpák és lámpaburkolatok, képernyők, fogantyúk, burkolatok és burkolatok részei. Hacsak nem bizonyítható, hogy ezeket a sérüléseket gyártási hibák okozták.
- Azok az esetek, amikor a kiszálló szakember nem tud hibát megállapítani.
- A nem az IKEA által kijelölt szolgáltató vagy valamelyik hivatalos vevőszolgálati partner által végzett javítások, illetve a nem eredeti alkatrészek felhasználásával végzett javítások.
- A helytelen vagy nem az előírások szerint végzett beszerelés miatti javítások.
- Az elektromos háztartási készülék nem háztartási környezetben való használata, például professzionális használat.
- A szállítás által okozott károk. A vevő által a saját otthonában vagy egy másik tartózkodási helyen végzett szállítás esetén az IKEA nem vállalhat felelősséget a szállítás közben jelentkező károsodásokért. Ha azonban a vevő otthonában az IKEA végzi a szállítást, akkor a jelen garancia kiterjed a szállítás közben jelentkező esetleges károsodásokra is.
- Az IKEA készülék kezdeti telepítési költsége. Ha azonban az IKEA által kijelölt szolgáltató vagy meghatalmazott szervizpartnere javítja vagy kicseréli a berendezést a garancia hatálya alatt, akkor a szállítónak vagy az engedélyezett szervizpartnernek a javított berendezést is újratelepítenie vagy javítania

kell.

A fenti korlátozások nem vonatkoznak azokra a szakember által szakszerűen és eredeti alkatrészek felhasználásával elvégzett munkákra, amelyek célja a készülék hozzáigazítása egy másik uniós tagállam biztonsági előírásaihoz.

A nemzeti jogszabályok alkalmazhatósága

Az IKEA garancia konkrét jogosultságokat biztosít a vevőnek az országonként eltérő és törvényben rögzített jogokon kívül. Ezek a feltételek azonban semmiképpen sem korlátozzák a fogyasztók helyi jogszabályokban leírt jogait.

Érvényességi terület

A valamelyik uniós tagállamban vásárolt és egy másik uniós tagállamba átszállított készülékeknél a szolgáltatások nyújtása az új tagállamban érvényes garanciális feltételek szerint történik. A garancia feltételei szerinti szolgáltatásnyújtási kötelezettség csak akkor áll fenn, ha a készülék megfelel az alábbiaknak és azoknak megfelelően telepítik:

- annak az országnak a műszaki leírásai, amelyben a garancia alkalmazását kérik;
- a felhasználói kézikönyvben található biztonsági információk.

Az IKEA készülékekhez kapcsolódó értékesítés utáni támogatás:

Ne habozzon kapcsolatba lépni az IKEA vevőszolgálatával:

1. támogatás kérése a garancia felhasználásával;
2. felvilágosítás kérése az IKEA készülékeknek a beépített IKEA bútorokba történő beszerelésével kapcsolatban. Az alábbiakra vonatkozóan a vevőszolgálat nem tud érdemi segítséget vagy felvilágosítást adni:
 - komplett IKEA konyhák beszerelése;
 - elektromos csatlakoztatások (ha a készülék szállítása hálózati zsinór és csatlakozó nélkül történik), víz- és gázbekötések, amelyeket csak az erre feljogosított szerviz munkatárs végezhet.

3. felvilágosítás kérése az IKEA készülék használati útmutatójában foglaltakkal és műszaki adataival kapcsolatban.

A segítség nagyobb hatékonysága érdekében a vevőszolgálathoz fordulás előtt a vevőnek ajánlott figyelmesen elolvasnia a szerelési utasításokat és/vagy a használati útmutatót.

Elérhetőségünk segítség kérése esetén



A jelen útmutató utolsó oldalán található az IKEA szolgáltatók teljes listája az adott országra vonatkozó telefonszámokkal együtt.

Fontos! A gyorsabb szolgáltatás érdekében ajánlott a jelen útmutató végén található

telefonszámokat használni. Támogatás kérésekor mindig közölje a készülék kézikönyvében található, egyéni kódokat. Mielőtt hozzánk fordulna, gondoskodjon arról, hogy kéznél legyen a segítségkérés tárgyát képező készülék IKEA termék kódja (8 jegyű szám).

Fontos! ŐRIZZE MEG A VÁSÁRLÁST IGAZOLÓ BLOKKOT!

Ez bizonyítja a vásárlást, és ezt kell bemutatni a garancia igénybevételehez. A blokkon is megtalálható a vásárolt IKEA készülék megnevezése és kódja (8 jegyű szám).

Egyéb segítségre van szüksége?

Ha bármilyen további kérdése van, amely nem kapcsolódik a készülék értékesítés utáni részéhez, forduljon a legközelebbi IKEA áruház call-centeréhez. Kérjük, hogy figyelmesen olvassa el a készülék dokumentációját mielőtt hozzánk fordulna.

محتويات

392	ماذا تفعل إن...	385	معلومات بشأن السلامة
392	البيانات الفنية	388	معلومات عامة
394	كفاءة استهلاك الطاقة	389	وصف المنتج
395	المظاهر البيئية	389	لوحة التحكم
395	ضمان IKEA	390	اقتراحات عامة
		390	النظافة والصيانة

معلومات بشأن السلامة

i من أجل سلامتكم الشخصية ومن أجل التشغيل الصحيح للجهاز، يرجى قراءة هذا الدليل بعناية قبل التركيب والتشغيل. احتفظ دائماً بهذه التعليمات مع الجهاز، حتى في حالة بيعه أو نقله إلى الغير. من المهم أن يعرف المستخدمون جميع مواصفات التشغيل والسلامة الخاصة بالجهاز.

! يجب تنفيذ توصيل الكابلات بواسطة فني مختص.

- لن يجوز اعتبار الشركة المصنعة مسئولة عن أية أضرار ناتجة عن التركيب أو الاستخدام غير الصحيح.
- تبلغ أقل مسافة آمنة بين موقد الطهي والشفاط 500 مم بالنسبة لشفاطات المطابخ الكهربائية و 650 مم لشفاطات المطابخ التي تعمل بالغاز.
- إذا نصت تعليمات تركيب موقد الطهي بالغاز على مسافة أكبر من تلك المذكورة أعلاه، فإنه من الضروري أخذها في الاعتبار.
- تحقق من أن جهد الشبكة الكهربائية يتوافق مع الجهد المشار إليه على لوحة البيانات المثبتة داخل الشفاط.
- يجب تركيب أجهزة قطع في الشبكة الثابتة وفقاً للمعايير الخاصة بأنظمة توصيل الكابلات.
- بالنسبة للأجهزة من الفئة الأولى، تحقق من أن شبكة التغذية المنزلية تمتلك توصيلاً أرضياً مناسباً.

- قم بتوصيل الشفاط بالمدخنة بواسطة أنبوب بقطر لا يقل عن 150 مم. يجب أن يكون مسار الأدخنة أقصر مسار ممكن.
- يجب الالتزام بكافة القوانين والتشريعات الخاصة بعملية تفرغ الهواء وعوادم الاحتراق والأدخنة.
- لا تقم بتوصيل الشفاط بالمداخن التي تنقل أدخنة احتراق (على سبيل المثال الغلايات ومداخن المدافئ، الخ).
- إذا تم استخدام الشفاط مع أجهزة غير كهربائية (مثل الأجهزة العاملة بالغاز)، فإنه يجب ضمان درجة كافية من التهوية في المكان لمنع رجوع تدفق غازات العادم. عند استخدام شفاط المطبخ مع أجهزة لا تتم تغذيتها بالتيار الكهربائي، يجب ألا يتجاوز الضغط السلبي في المكان 4 باسكال لمنع إعادة سحب الأدخنة من الشفاط إلى المكان.
- يجب عدم طرد الهواء عبر ماسورة تُستخدم لتصريف الأدخنة من أجهزة احتراق تعمل بالغاز أو بأنواع أخرى من الوقود.
- يجب استبدال سلك الطاقة، في حالة تلفه، من قبل الشركة المصنعة أو من قبل فني خدمة الدعم الفني.
- قم بتوصيل القابس بمقبس مطابق للمعايير السارية وفي موضع يمكن الوصول إليه.
- بشأن الإجراءات الفنية وإجراءات السلامة اللازم تبنيتها من أجل تصريف الأدخنة، من المهم الامتثال بدقة للوائح المحددة من قبل السلطات المحلية.
- ⚠ تحذير: أزل طبقات البلاستيك الواقي قبل البدء في تركيب الجهاز.
- لا تستخدم إلا المسامير وأدوات التوصيل من النوع المناسب للشفاط.
- ⚠ تحذير: يمكن أن يؤدي عدم تركيب المسامير أو أدوات التثبيت طبقاً لهذه التعليمات إلى مخاطر الصعقات الكهربائية.
- قم بتوصيل الشفاط بشبكة التغذية الكهربائية عن طريق مفتاح ثنائي القطب يمتلك مسافة بين نقاط التلامس لا تقل عن 3 مم.
- لا تراقب مباشرة باستخدام الأدوات البصرية (منظار، عدسة مكبرة...).
- لا تقم بالطهي بطريقة فلامبيه تحت الشفاط: فقد ينشب حريق.
- يجوز استخدام هذا الجهاز من قبل الأطفال الذين تقل أعمارهم عن 8 سنوات والأشخاص ذوي القدرات النفسية والجسدية والحسية المنخفضة أو الذين لا

يتمتعون بخبرة ومعرفة كافيتين، طالما تم الإشراف عليهم بعناية وتدريبهم على كيفية استخدام الجهاز بطريقة آمنة وتعريفهم بالمخاطر التي ينطوي عليها الجهاز. تأكد من أن الأطفال لا يلعبون بالجهاز. يجب ألا يُنفذ الأطفال النظافة والصيانة التي يختص بها المستخدم، إلا إذا كانوا تحت مراقبة.

- راقب الأطفال، حتى تتأكد من عدم لعبهم بالجهاز.
- يجب عدم استخدام الجهاز من قبل الأشخاص (بمن فيهم الأطفال) ذوي القدرات النفسية والجسدية والحسية المنخفضة أو الذين لا يتمتعون بخبرة ومعرفة كافيتين، إلا إذا تم الإشراف عليهم بعناية وتدريبهم.

⚠️ قد تُصبح الأجزاء التي يمكن الوصول إليها ساخنة للغاية أثناء استخدام أجهزة الطهي

- نَظِّفْ و/أو استبدل المرشحات بعد الفترة الزمنية المحددة (لتجنب خطر الحريق).
- يجب توفر تهوية كافية في المكان عند استخدام الشفاط في نفس الوقت مع الأجهزة التي تستخدم الغاز أو أنواع الوقود الأخرى (لا يسري ذلك على الأجهزة التي تُصدر في المكان هواءً فقط).
- إن شفاطات المطبخ وأجهزة طرد أدخنة الطهي الأخرى يمكن أن يؤثر سلباً على التشغيل الآمن للأجهزة التي تحرق الغاز أو أنواع أخرى من الوقود (بما في ذلك تلك الموجودة في غرف أخرى)، بسبب التدفق الراجع للغازات الاحتراق. يمكن أن تؤدي هذه الغازات التسمم بأول أكسيد الكربون. بعد تركيب شفاط المطبخ أو أي جهاز طرد آخر لأدخنة الطهي، تأكد من إجراء اختبار لأجهزة الغاز من قبل شخص مختص لضمان عدم وجود تدفق راجع للغازات الاحتراق.


معلومات عامة

الاستخدام


- أطفئ الجهاز أو افصله عن شبكة التغذية الكهربائية قبل أية عملية نظافة أو صيانة.
- يجب عدم استخدام الشفاط كسطح إسناد.
- الشفاط بإصدار الشفط مصمم حصراً للتخلص من روائح الطهي في الاستخدام المنزلي.
- في أي حالٍ من الأحوال، لا تستخدم الجهاز لأغراض مختلفة عن تلك التي صُمم من أجلها.
- لا تترك أبداً ألسنة لهب عالية تحت الشفاط بإصدار الشفط عندما يكون قيد التشغيل.
- اضبط شدة اللهب بحيث يتم توجيهه حصرياً نحو قاع إناء الطهي، مع التأكد من أنه لا يلف الجوانب.
- يجب مراقبة المقالي باستمرار أثناء الاستخدام؛ فقد يؤدي التسخين المفرط للزيت إلى اشتعال النيران.

طرق التركيب

تم تصميم الشفاط للتركيب والاستخدام في "إصدار الشفط" أو في "إصدار إعادة تدوير الهواء".

 إصدار الشفط (انظر الرمز الوارد في تعليمات التركيب)

يتم شفط بخار الطهي ويُنقل إلى خارج المنزل عبر أنبوب الطرد (غير مرفق بالتوريد) والذي يتم تركيبه عند مخرج بخار الشفاط. تأكد من تركيب أنبوب الطرد بشكل صحيح عند مخرج الهواء، باستخدام نظام توصيل مناسب.

 الإصدار المزود بإعادة تدوير الهواء (انظر الرمز الوارد في تعليمات التركيب)

يتم ترشيح الهواء عبر مرشح أو أكثر ومن ثم يتم نقله مجدداً إلى المكان.

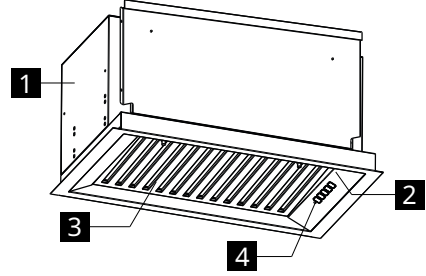
هام: تأكد من وجود تدوير صحيح للهواء حول الشفاط.

هام: إن لم يكن الشفاط مزوداً بمرشحات الكربون، يجب طلبها وتركيبها قبل استخدام الجهاز. المرشحات متوفرة في الأسواق.

يجب تركيب الشفاط بعيداً عن المناطق المتسخة بشكلٍ خاص والنوافذ والأبواب ومصادر الحرارة. لا يشمل التوريد ملحقات التثبيت على الحائط حيث أنها تختلف حسب مادة الحائط. استخدم أنظمة تثبيت مناسبة لحوائط منزلك ووزن الجهاز. للحصول على معلوماتٍ أكثر تفصيلاً، اتصل بموزعٍ متخصص. احفظ هذه التعليمات للإطلاع عليها في المستقبل.

وصف المنتج

- 1 جسم الشفاط
2 الإضاءة
3 مرشح إزالة الدهون
4 لوحة التحكم



لوحة التحكم

					
	A	B	C	D	E
لمبة LED للتنبيه					
موقد أو مطفأ					
موقد A + B					
موقد A + C					
موقد أو مطفأ					
موقد أو مطفأ					
موقد أو مطفأ					

الزر	ضغط زر	وظيفة	لمبة LED للتنبيه
A	الزر	يقوم بتشغيل/إطفاء المحرك على السرعة واحد.	موقد أو مطفأ
B	الزر	يقوم بتشغيل المحرك على السرعة اثنان. يجب اختيار	موقد A + B
C	الزر	يقوم بتشغيل المحرك على السرعة ثلاثة. يجب اختيار	موقد A + C
D	الزر	يقوم بتشغيل المحرك على السرعة المكثفة. هذه السرعة محددة بمدة 6 دقائق. في نهاية الزمن المضبوط، يعود النظام أوتوماتيكياً إلى السرعة المضبوطة مسبقاً. إذا تم تنشيطها والمحرك مطفأ، فإن المحرك يعود إلى وضع الإطفاء OFF في نهاية الوقت المضبوط. من أجل إلغاء تنشيطها، اضغط على المفتاح A أو B أو C. يجب اختيار	موقد أو مطفأ موقد أو مطفأ
E	الزر	يُشغّل ويُطفئ نظام الإضاءة على الشدة القصوى.	موقد أو مطفأ
الأضواء	الزر	يزيد أو يخفض شدة الإضاءة.	موقد أو مطفأ

اقتراحات عامة

- للحفاظ على كفاءة جيدة في مكافحة الروائح.
- نظف مرشح أو مرشحات إزالة الدهون عند الضرورة للحفاظ على كفاءة جيدة في امتصاص الدهون.
- استخدم أقصى قطر للأنايب المشار إليه في هذا الدليل لتحسين الكفاءة وتقليل الضوضاء إلى الحد الأدنى.
- قم بتشغيل الشفاط على السرعة الصغرى عند بدء الطهي واستمر في تشغيله لبضع دقائق بعد انتهاء الطهي.
- لا تقم بزيادة السرعة إلا في وجود كميات كبيرة من الدخان والبخار واستخدام السرعة (السرعات) المكثفة فقط في الحالات الشديدة.
- استبدل مرشح أو مرشحات الكربون عند الضرورة

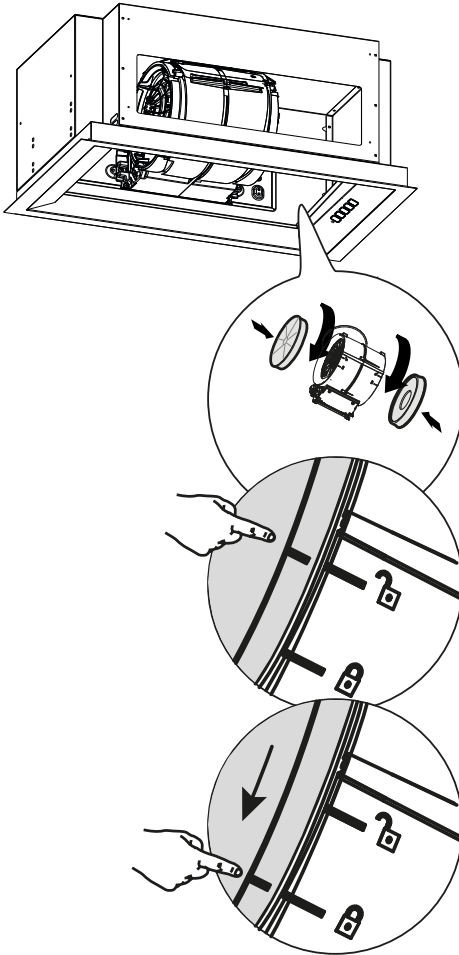
النظافة والصيانة

⚠️ أطفئ الجهاز أو افصله عن شبكة التغذية الكهربائية قبل أية عملية صيانة.

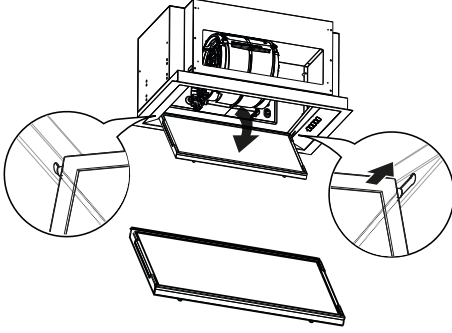
هام: نظّف الشفاط باستخدام قطعة قماش رطبة ومنظف سائل محايد.

مرشح الكربون طويل الأجل (أخضر)

يمكن غسيل مرشح إزالة الروائح وتجديده كل 3-4 أشهر (أو بشكلٍ أكثر تكراراً إن كان المرشح يخضع للاستخدام المكثف)، حتى 8 دورات من التجديد بحدٍ أقصى (في حالة الاستخدام المكثف بشكلٍ خاص نوصي بعدم تجاوز 5 دورات).



التشغيل، أو بشكل أكثر تكراراً في حالة الاستخدام المكثف للغاية، ويمكن غسلها في غسالة الأطباق.



استبدال المصابيح

من أجل استبدالها اتصل بمركز دعم فني معتمد.

إجراء التجديد

- يُغسل في غسالة الأطباق على درجة حرارة 70° كحد أقصى أو يُغسل يدويًا بالماء الساخن دون استخدام قطع إسفنج كاشطة (لا تستخدم منظفات!).
- يُجفف في الفرن على درجة حرارة 70° كحد أقصى لمدة ساعتين (نوصي بقراءة دليل المستخدم بعناية وتعليمات تركيب الفرن الخاص بك).

مرشح إزالة الدهون

استمر في تنظيف أو استبدال المرشحات على الفواصل الزمنية المشار إليها من أجل الحفاظ على الشفاط في حالة تشغيل جيدة وتجنب مخاطر الحريق المحتملة بسبب التراكم المفرط للدهون. يجب تنظيف مرشحات إزالة الدهون كل شهرين من

ماذا تفعل إن...

في حالة العطل، حاول أولاً العثور على حل بمفردك. إن لم تتمكن من حل المشكلة بمفردك، توجه إلى مركز دعم فني معتمد.

i في حالة الاستخدام غير السليم للجهاز أو التركيب المنفذ دون الالتزام بتعليمات التركيب، فقد يكون من الضروري دفع مقابل زيارة فني مركز الدعم الفني المعتمد حتى خلال فترة سريان الضمان.

المشكلة	السبب المحتمل	الحل
الجهاز غير مستقر.	لم يتم تركيب الجهاز بشكل صحيح.	اتبع تعليمات التركيب الواردة مع الجهاز.
الجهاز ليس مستويًا.	لم يتم تركيب الجهاز بشكل صحيح.	اتبع تعليمات التركيب الواردة مع الجهاز.
معدلات الأداء غير مُرضية من حيث النقاط الدهون.	وجود زيت أو دهون على المرشحات المعدنية أو على مرشحات الكربون.	التزم بتكرار نظافة المرشحات على النحو الموصوف في دليل الاستخدام.
الجهاز لا يعمل.	لم يتم توصيل الجهاز بشكل صحيح.	تأكد من أن كابل التيار الكهربائي متصل بمجموعة المحرك أو أن القابس متصل بالمقبس.
المصباح لا يعمل.	لمبة الليد معيبة.	من أجل استبدالها اتصل بمركز دعم فني معتمد.
يُصدر الشفاط ضوضاءً أشد مقارنةً بتطالعات العميل.	تم تركيب المنتج بطريقة إعادة التدوير.	فطر فتحة تنفيس الهواء في الحائط صغيرة جدًا ويؤدي إلى فقدان الضغط وزيادة سرعة المحرك.
		المنتج في وضع إعادة التدوير (مع تركيب مرشح الكربون) يكون أكثر ضوضاءً من المنتج في وضع الشفط.
		إذا كان نظام طرد الأدخنة من المبنى يحتوي على منحنيات متعددة أو يقطع مسافة طويلة، فقد يكون المنتج أكثر ضوضاءً.

وبعد إعادة تشغيل الجهاز، فاتصل بمركز الدعم الفني المعتمد وشرح المشكلة بوضوح مع تحديد:

- نوع العطل؛
- الطراز؛
- نوع الجهاز والرقم المسلسل الخاص به (يشار إليهما على لوحة البيانات).

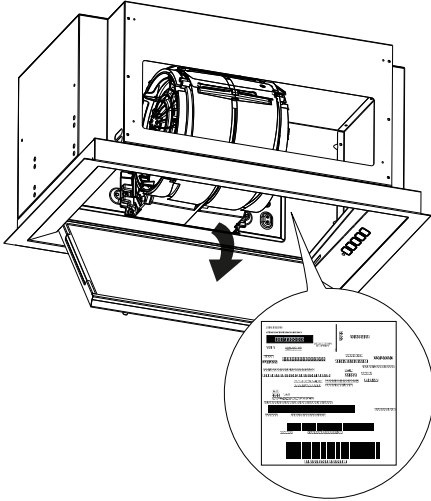
قبل الاتصال بمركز الدعم الفني المعتمد:

أعد تشغيل الجهاز من أجل للتعرف عما إذا كانت المشكلة قد اختفت. وإلا، أعد إطفاءه مرةً أخرى وكرّر العملية بعد ساعة. إذا استمر الجهاز في العمل بشكل غير صحيح بعد تنفيذ الفحوصات المدرجة في دليل حل الأعطال

البيانات الفنية

القيمة	الوحدة	
شفاط مدمج		نوع المنتج
599	مم	العرض
358	مم	العمق
290	مم	الارتفاع الأدنى/الأقصى
450	م/3ساعة	معدل تدفق الهواء الأقصى* - الطرد
55	ديسيل	مستوى الضوضاء الأقصى - الطرد

250	م/3 ساعة	معدل تدفق الهواء الأقصى* - إعادة التدوير	
66	ديسيل	مستوى الضوضاء الأقصى* - الطرد	
144	واط	إجمالي القدرة	
شريط مصباح الليد		النوع	معلومات عن المصباح
3.8 واط		العدد والقدرة	
N/D		التوصيل	
650	مم	الحد الأدنى لارتفاع التركيب - موقد طهي بالغاز	
500	مم	الحد الأدنى لارتفاع التركيب - موقد طهي كهربائي	
8	كجم	الوزن الصافي	
* السرعة القصوى (بدون الضبط المكثف)			



تم تصميم هذا الجهاز وتصنيعه وتسويقه طبقاً لتوجيهات الاتحاد الأوروبي CE. تُعرض البيانات الفنية على اللوحة المثبتة داخل الجهاز.

كفاءة استهلاك الطاقة

القيمة	الوحدة	معلومات عن المنتج طبقاً للاتحاد الأوروبي رقم 66/2014
IKEA		اسم المورد
MÅNGSBO 906.091.16 106.176.10 906.176.11		الرقم التعريفي للطراز
26.9	كيلوواط بالساعة/سنة	استهلاك الطاقة السنوي
0.5		معامل زيادة الوقت
40.5		الكفاءة الديناميكية للسوائل
29.9		مؤشر كفاءة الطاقة
410	م ³ /ساعة	معدل تدفق الهواء المُقاس في نقطة الكفاءة الفضلى
469	باسكال	ضغط الهواء المُقاس في نقطة الكفاءة الفضلى
450	م ³ /ساعة	معدل تدفق الهواء الأقصى
132	واط	التغذية الكهربائية المُقاسة في نقطة الكفاءة الفضلى
3.8	واط	القدرة الاسمية لنظام الإضاءة
275	لكس	متوسط إضاءة نظام الإضاءة على موقد الطهي
0.49	واط	استهلاك التيار المُقاس في وضع الاستعداد
0.0	واط	استهلاك التيار المُقاس في وضع الإطفاء
66	ديسيبل	مستوى الصوت عند السرعة القصوى (بدون الضبط المكثف)

وظيفة ترشيد الطاقة

المعايير المرجعية:

يشمل الجهاز مواصفاتٍ تساعد على توفير الطاقة أثناء الطهي في جميع الأيام.

EN/IEC 61591
EN/IEC 60704-1
EN/IEC 60704-2-13
EN/IEC 60704-3
EN 50564

المظاهر البيئية

التخلص من الأجهزة الكهربائية المنزلية



يشير الرمز الموجود على المنتج أو على عبوته إلى أنه يجب عدم التخلص من المنتج مع النفايات المنزلية العادية. يجب التخلص من المنتج لدى مركز متخصص في إعادة تدوير المكونات الكهربائية والإلكترونية. من خلال التأكد من التخلص من هذا المنتج بشكل صحيح، فإنك ستساهم في الوقاية من العواقب السلبية المحتملة على البيئة والصحة والتي قد تنتج بسبب التخلص غير المناسب منه. لمزيد من المعلومات الأكثر تفصيلاً عن كيفية إعادة تدوير هذا المنتج،

اتصل بسلطات البلدية أو بالخدمة المحلية للتخلص من النفايات أو المحل الذي تم شراء المنتج منه.

يتوافق الجهاز مع التوجيه EU/2012/19 بشأن الحد من المواد الخطرة المستخدمة في الأجهزة الكهربائية والإلكترونية والتخلص من النفايات.

التخلص من مواد التغليف

المواد التي تحمل الرمز هي مواد قابلة لإعادة التدوير. تخلص من مواد التغليف في صناديق جمع النفايات المخصصة لإعادة التدوير.

ضمان IKEA

ما هي مدة سريان ضمان IKEA؟

يسري هذا الضمان لمدة خمس (5) سنوات من التاريخ الأصلي لشراء الجهاز من IKEA. يُعدُّ الإيصال الأصلي ضروري كإيصال شراء. لا يؤدي الإصلاح المنفذ في إطار الضمان إلى تمديد فترة الضمان الخاصة بالجهاز.

من يقدم الدعم الفني؟

سيتم ضمان خدمة العملاء من قبل مورد الخدمة المعين من Ikea من خلال مؤسستها أو شبكتها من شركاء الدعم الفني المعتمدين.

ماذا يغطي الضمان؟

يغطي الضمان أي عيوب مرتبطة بمواد وبنية الجهاز الكهربائي المنزلي ويسري اعتباراً من تاريخ شراء الجهاز الكهربائي المنزلي من متجر Ikea. لا يسري الضمان إلا على الأجهزة الكهربائية المنزلية المخصصة للاستخدام المنزلي. تُعرض الاستثناءات في بند "ماذا لا يُغطي الضمان". خلال فترة سريان الضمان، ستتحمل خدمة الدعم الفني تكاليف الإصلاح

قطع الغيار والعمالة ومأموريات الطاقم الفني)، شريطة ألا ينطوي الوصول إلى الجهاز من أجل إجراء عملية الإصلاح على مصاريف خاصة. تتطابق هذه الشروط مع توجيهات الاتحاد الأوروبي (رقم CE/99/44) ومع المعايير والأحكام المحلية المطبقة. ستصبح الأجزاء المستبدلة ملكية خاصة بشركة IKEA.

كيف ستتدخل IKEA من أجل حل المشكلة؟

سيفحص مورد خدمة الدعم المكلف من IKEA المنتج وسيقرر، وفقاً لتقديره الخاص، ما إذا كان المنتج يدخل ضمن تغطية الضمان. إذا كان الأمر كذلك، فسيقوم مورد خدمة الدعم من IKEA أو شريك الدعم الفني المعتمد، عبر مراكز الدعم الفني الخاصة به، وفقاً لتقديره الخاص إما بإصلاح المنتج المعيب أو استبداله بمنتج مماثل أو ذي قيمة معادلة.

ماذا لا يُغطي الضمان؟

• تكلفة التركيب الأولي لجهاز IKEA. ومع ذلك، إذا قام مورد الخدمة المعين من IKEA أو شريك الدعم الفني المعتمد التابع لها بإصلاح أو استبدال جهاز في إطار الضمان، سيتعين على مورد أو شريك الدعم الفني أيضًا إعادة تركيب الجهاز الذي تم إصلاحه أو تركيب الجهاز البديل، إذا لزم الأمر.

لا تنطبق هذه القيود على الأعمال المنفذة حسب الأصول من قبل طاقم عمل مؤهل وباستخدام قطع أصلية لتكثيف الجهاز مع معايير السلامة الخاصة ببلد آخر في الاتحاد الأوروبي.

قابلية تطبيق القوانين الوطنية

يمنح ضمان أيكيا للعميل حقوقًا قانونية نوعية بالإضافة إلى الحقوق المنصوص عليها بالقانون ومتغيراتها حسب البلد. ومع ذلك، لا تحد هذه الشروط بأي حال من الأحوال من حقوق المستهلك المنصوص عليها في التشريعات المحلية.

منطقة السريان

بالنسبة للأجهزة المنزلية التي تم شراؤها في إحدى دول الاتحاد الأوروبي ونقلها إلى دولة أخرى في الاتحاد الأوروبي، سيتم تقديم الخدمات وفقًا لشروط الضمان المطبقة في الدولة الجديدة. نلتزم بتقديم الخدمة بموجب شروط الضمان فقط إذا كان الجهاز مطابقًا وتم تركيبه طبقًا لما يلي:

- المواصفات الفنية للبلد المطلوب فيه تطبيق الضمان؛
- معلومات السلامة الواردة في دليل الاستخدام.

خدمة الدعم الفني ما بعد البيع المخصصة للأجهزة الكهربائية المنزلية من IKEA:

لا تتردد في الاتصال بخدمة الدعم الفني ما بعد البيع من IKEA البيع من أجل:

1. طلب الدعم الفني ضمن الاستفادة من الضمان؛

- التآكل العادي.
- الأضرار الناشئة عن عمد أو بسبب الإهمال والأضرار الناشئة عن عدم الالتزام بتعليمات التشغيل، أو عن التركيب غير الصحيح أو عن التوصيل بجهد كهربائي خاطئ، الأضرار الناتجة عن التفاعلات الكيميائية أو الكهروكيميائية، الصدأ، التآكل أو الأضرار الناتجة عن الماء، بما في ذلك على سبيل المثال لا الحصر، الأضرار الناتجة عن الوجود المفرط للكلس في أنابيب المياه والأضرار الناتجة عن الأحداث الجوية والطبيعية.
- الأجزاء الخاضعة للتآكل، على سبيل المثال، البطاريات واللمبات.
- الأجزاء الزخرفية وغير الوظيفية التي لا تؤثر على الاستخدام العادي للجهاز الكهربائي المنزلي، بما في ذلك الحدوش وتغييرات اللون.
- الأضرار العرضية الناتجة عن مواد أو أجسام غريبة وتنظيف أو تسليك المرشحات أو أنظمة الصرف أو أدراج المنظفات.
- الأضرار التي تلحق بأجزاء مثل السيراميك الزجاجي، الملحقات، سلال الأواني وأدوات المائدة، أنابيب التغذية والصرف، الحشوات، اللمبات والأغطية الخاصة بها، الشاشات، المقابض، البطانات وأجزاء البطانات، إلا في حالة التمكن من إثبات أن هذه الأضرار قد نتجت عن عيوب في الإنتاج.
- الحالات التي لا يتم اكتشاف العيوب بها أثناء زيارة الفني.
- الإصلاحات غير المنفذة من قبل مورد الخدمة المعين من IKEA أو شريك الدعم الفني المعتمد أو الإصلاحات التي تم فيها استخدام قطع غيار غير أصلية.
- الإصلاحات الناتجة عن التركيب غير الصحيح أو غير المطابق للمواصفات.
- استخدام الجهاز الكهربائي المنزلي في بيئة غير منزلية، على سبيل المثال للاستخدام المهني.
- الأضرار الناتجة عن النقل. في حالة النقل المنفذ بواسطة العميل إلى منزله أو عنوان آخر، لن يجوز اعتبار Ikea مسئولة عن أية أضرار حدثت أثناء النقل. ومع ذلك، إذا تم النقل إلى عنوان العميل بواسطة Ikea، فستدخل الأضرار المحتملة الناتجة عن النقل في هذا الضمان.

اطلع على القائمة الكاملة لموردي خدمة IKEA وأرقام الهواتف الوطنية الخاصة بهم في الصفحة الأخيرة من هذا الدليل.

هام! حتى نضمن لكم خدمة أسرع، نوصي باستخدام أرقام الهواتف المدرجة في نهاية هذا الدليل. عند طلب الدعم الفني، ارجع دائماً إلى الأكواد النوعية للجهاز التي تجدها في هذا الدليل. قبل الاتصال بنا، تأكد من أن كود منتج IKEA في متناول يديك (8 أرقام) الخاص بالجهاز الكهربائي المنزلي الذي تطلب الدعم الفني بشأنه.

هام! احتفظ بالإيصال!

إنه دليل الشراء الخاص بكم ويجب إظهاره للتمكن من الاستفادة من الضمان. يوجد على الإيصال أيضاً اسم وكود (من 8 أرقام) لكل جهاز كهربائي منزلي من IKEA قد قمت بشراؤه.

هل تحتاجون إلى المزيد من المساعدة؟

لمزيد من الاستفسارات غير المتعلقة بخدمة الدعم الفني على الأجهزة، يرجى الاتصال بأقرب متجر Ikea. يرجى قراءة وثائق الجهاز بعناية قبل الاتصال بنا.

2. طلب إيضاحاتٍ بشأن تركيب الأجهزة الكهربائية المنزلية IKEA في قطع أثاث نوعية للمطبخ من IKEA. لن تقدم الخدمة الدعم الفني أو إيضاحاتٍ بشأن:

- تركيب مطابخ كاملة من IKEA؛
- التوصيلات الكهربائية (في حالة توريد الجهاز بدون كابلات وقوابس)، التوصيلات الهيدروليكية والتوصيلات بشبكة الغاز التي يجب أن تُنفَّذ من قبل فني الدعم المعتمد.

3. طلب إيضاحاتٍ بشأن محتوى دليل الاستخدام وبشأن مواصفات الجهاز الكهربائي المنزلي من IKEA.

حتى نضمن لكم أفضل دعم فني، يرجى قراءة تعليمات التركيب و/أو دليل الاستخدام بعناية قبل الاتصال بنا.

كيف تتواصل معنا في حالة الحاجة إلى تدخلنا



Country name in local languages	Telephone number	Opening times
Österreich	13602771461	Mo-Fr: 8 - 20
België / Belgique	26200311	Ma-Vr: 8 - 20 / Lun-Ven: 8 - 20
България	02 4003536	Пон-Пт: 8 - 20
Canarias	913754126	Lunes-Viernes: 8 - 20
Κύπρος	http://www.ikea.com	8 - 20
Hrvatska	0800 3636	Pon-Pet: 8 - 20
Česká republika	225376400	Po-Pá: 8 - 20
Danmark	70150909	Man.-Fre.: 9 - 20
Eesti	http://www.ikea.com	E-R: 8 - 20
Suomi	981710374	Lu-Ve: 8 - 20
France	170480513	Lun-Ven: 9 - 21
Deutschland	6929993602	Mo-Fr: 8 - 20
Great Britain	2076601517	Mon-Fri: 8 - 20
Ελλάδα	2109696497	Δευ-Παρ: 8 - 20
Magyarország	(06-1)-3285308	Hétfő-Péntek: 8 - 20
Italia	+39 02/38591334	Lun-Ven: 8 - 20
Ireland	2076601517	Mon-Fri: 8 - 20
Ísland	5852409	Mánudagur-Föstudagur Kl.: 8 - 20
Latvija	http://www.ikea.com	P.- Pk.: 8 - 20
Lietuva	(0) 520 511 35	Pirm.-Penkt.: 8 - 20
Mayorca	913754126	Lunes-Viernes: 8 - 20
Malta	+356 (0)25464000	Mon-Fri: 8 - 20
Norge	23500112	Man-Fre: 8 - 20
Nederland	050-7111267 / +31 507111267	Ma-Vr: 8 - 20
Polska	225844203	Poniedziałek-Piątek: 8 - 20
Portugal	213164011	Seg.-Sex.: 9 - 21
România	021 2044888	Luni-Vineri: 8 - 20
Россия	84957059426	Пон-Пятн: 9 - 21
Србија	011 7 555 444	Пон-Пет: 8 - 20
Slovensko	(02) 50102658	Pon-Pia: 8 - 20
Slovenija	+386-1-8107781	Ponedeljek-Petek: 8 - 20
España	913754126	Lunes-Viernes: 8 - 20
Sverige	0775-700 500	Mån-Fre: 8 - 20
Schweiz / Suisse / Svizzera (Ticino)	225675345	8 bis 20 Werktage / Lun-Ven: 8 - 20
Türkiye	+90/262/644 65 95	Pzt-Cuma: 8 - 20
Україна	http://www.ikea.com	Понеділок-П'ятниця: 8 - 20
Марок / المغرب	+212 (5) 20100900 www.ikea.com	

